

SPECIALTY CASTERS & PRODUCTS

Item	Page
Dolly Casters	278
Stage/Scene Shifting Casters	279
Gate Casters	280
Leveling Casters	281
V-Groove Casters	282-283
Kingpinless Pneumatic Casters	284-285
Turntables	286
Floor Locks	287-288
Leveling Jacks	289
Bumpers	290-291
Couplers	292
Deluxe Plastic Utility Carts	293-295
Caster Jacks	296-303

Acorn™ can supply any size and type caster rig with any type wheel with proper size precision ball bearings. Call, fax or e-mail for application assistance, or visit our website to view our complete catalog in PDF format.

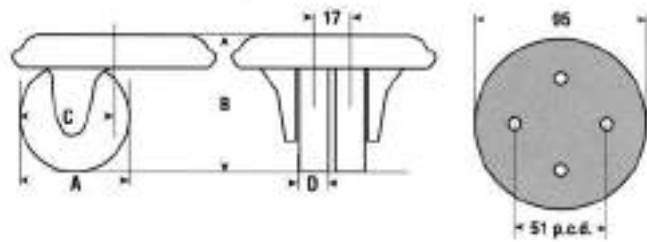
DOLLY CASTERS

LOW HEIGHT TWIN WHEEL DOLLY CASTERS

Designed for special applications where heavy equipment is moved over level surfaces.

Low Height dual wheel casters (type LL) have high load capacity in relation to its overall height. This is due to the center line of the wheels being within the circumference of the large diameter swivel bearing and the benefits of the differential action of dual wheels.

Best suited for use on hard/smooth floors.



LOW HEIGHT TWIN WHEEL DOLLY CASTERS

Dia. (A)	OAH (B)	Swl. Rad. (C)	Tread (D)	Wheel Type (Wheel Code)	Cap. (lb)	Part Number (Plain Bore)
50 mm	64	50	14	Nylacron™ (NY)	350	LHTWNY/050/14/PB
50 mm	64	50	14	Vulkollan® (VY)	350	LHTWVY/050/14/PB
50 mm	64	50	14	Steel (ST)	600	LHTWST/050/14/PB

*All wheels are available with Precision Bearings for easier rolling under load. To specify, replace "Plain Bore" in part number with "26PB" (ex: LHTW-NY/050/14-26PB)



LOW HEIGHT KINGPINLESS DOLLY CASTERS

Designed for special applications where heavy equipment is moved over level surfaces. These casters have high load capacity in relation to its overall height. This is due to the kingpinless construction with a large diameter caster ball race and the wide wheel.

LOW HEIGHT KINGPINLESS DOLLY CASTERS

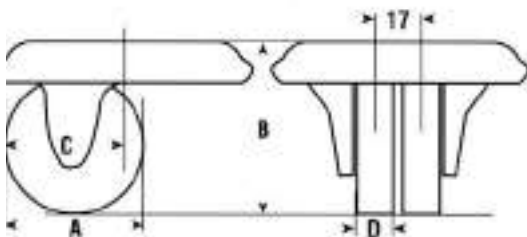
Dia. (A)	OAH (B)	Swl. Rad. (C)	Tread (D)	Wheel Type (Wheel Code)	Cap. (lb)	Part Number (Plain Bore)
85 mm	144	100	75	Urethane/CI Core (UY)	1100	05/72VUY/085/75/PB
85 mm	144	100	75	Vulkollan® (VY)	1100	05/72VVY/085/75/PB
85 mm	144	100	75	Nylacron™ (NY)	1300	05/72VNY/085/75/PB

*All wheels are available with Precision Bearings for easier rolling under load. To specify, replace "Plain Bore" in part number with "26PB" (ex: LHTW-NY/050/14-26PB)

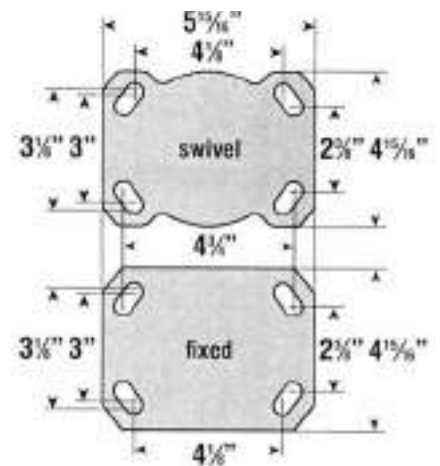
OPTIONAL:

Four Position Swivel Lock - SL4 converts the swivel caster to a fixed position for straight line travel. Add SL4 to caster number.

Optional Top Plates Available



VULKOLLAN®



STAGE/SCENE SHIFTING CASTERS

STAGE/SCENE SHIFTING CASTERS

Primarily used in the theatrical and movie making industries for moving scenery, props and stage equipment. StageMaster incorporates three swiveling casters attached to a heavy-duty swiveling platform base that easily mounts to the item to be moved. The swiveling action of the casters combined with the swiveling action of the platform base allows the operator to easily maneuver heavy, awkward devices in tight quarters with relative ease.



Scene Shifting Dollies
Kingpinless Swivel Section & Nylacron™ Wheels
with Precision Bearings Recommended

DESIGN CHARACTERISTICS

Single or Dual Wheel Caster Design: Dual wheel caster version with 2" or 2-1/2" diameter wheels. Single caster version with 2-1/2" or 3" diameter wheels.

Four-Sided Double Ball Raceway: Hardened steel ball bearings in the load bearing and secondary thrust bearing through the swivel raceway "on all four sides." This protects the central kingpin from shock loading for free swiveling under heavy loads.

Heat Treated Moving Parts: All moving parts are heat treated to a precise molecular depth and Rockwell hardness. This extends StageMaster life under rugged conditions and shock loads.

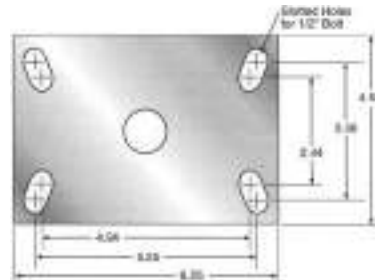
Raceway Dust Caps on Casters / Underbody Seal on Platform Base: Dust caps and underbody seals protect raceways from contamination by dust, dirt, moisture and other debris.

Thread Guards: Single-Wheel version only. Keeps unwanted materials out of wheel bearings thus increasing the life of the StageMaster assembly.

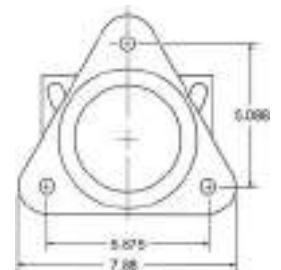
SWIVEL RIG OPTIONS

- Increased Capacities, Diameter and Sizes for any load capacity with Nylacron™ Wheels.
- Kingpinless swivel section and Kingpinless casters recommended for heavy duty applications.
- Black Oxide Finish. Other finishes available, consult Acorn™.
- Wheel Brakes (Consult Acorn™)
- Wheel Materials & Diameters.

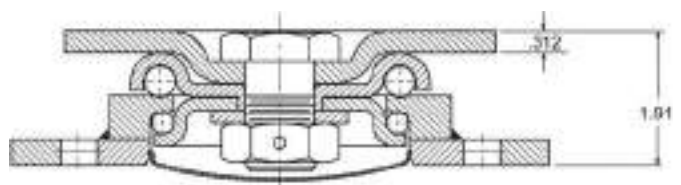
OPTIONAL TOP PLATE



BOLT HOLE CENTERS



SWIVEL SECTION



CASTER SPECIFICATIONS/NYLACRON™ WHEELS

Dia. (inch)	Width (inch)	Cap. (lb)	OAH (inch)	Wheels Per Caster	Wt. (lb)	Swivel Part Number Add B, P, PL, R or T*
2	7/8	1200	5	2	14	SMNYP*0278S
2-1/2	1-1/4	1200	5-1/2	1	13	SMNYP*2512S
3	2	1800	6-1/4	1	20	SMNYP*0320S

*Add "B" for Ball Bearing, "P" for Precision Bearing, "PL" for Plain Bearing, "R" for Roller Bearing or "D" for Delrin Bearing

CAD DRAWINGS FOR STAGE/SCENE SHIFTING CASTERS & DOLLIES AVAILABLE

CUSTOM DOLLIES AVAILABLE

SPRING LOADED GATE CASTERS

GATE & LADDER CASTERS

Load Capacity Up to 210 lbs.

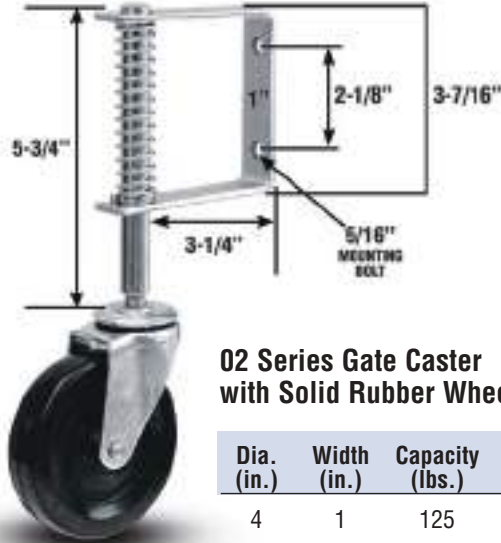


Custom Gate & Ladder Casters Available in Stainless Steel with Nylacron™ Wheels

These casters are designed to make gate opening and closing easy. The casters feature gate mounts and spring loaded shock absorption.

Features

- Gate mount integrated in caster
- Spring loaded design provides shock absorption



02 Series Gate Caster with Solid Rubber Wheel (41 Plain Bearing)

Dia. (in.)	Width (in.)	Capacity (lbs.)	OAH (in.)	Swivel Lead (in.)	Part Number
4	1	125	10-1/2	3.2	02RN04041S007



14 Series Gate Caster with Semi-Pneumatic Tire (27 Radial Ball Bearing)

Dia. (in.)	Width (in.)	Capacity (lbs.)	OAH (in.)	Swivel Lead (in.)	Part Number
8	2-1/2	210	18-1/2	6.5	14SN08427S001

LEVELING CASTERS



- Built-in stabilizer is adjustable.
- Rubber stabilizer “post” helps adsorb shaking and shock.
- Excellent low-profile caster for workstations that only occasionally move.
- Stabilizer acts as a miniature “lock” when fully engaged to prevent caster from moving.
- Strong nylon wheel is non-marking.
- Double race swivel design.
- Available in top plate and stemless fastenings.
- Corrosion resistant zinc plated finishing, sleek chrome plating or ivory powder coating for extra style.
- Extra load capacity with stabilizer engaged.
- Applications include:
 - Computer workstations
 - Work tables
 - Printer and electronic stands

Wheel Dia.	Hub Length	Wheel Type with Plain Bearing	Capacity (lb.) Rolling / Stabilized	OAH	Swivel Lead	Part Number	Type
1-3/4"	1-1/16"	NYL-Nylon	220 / 550	2-3/4"	2-13/32"	932000NYL	Stemless
1-3/4"	1-1/16"	NYL-Nylon	220 / 550	2-3/4"	2-13/32"	932001NYL	Square Plate
1-3/4"	1-1/16"	NYL-Nylon	220 / 550	2-3/4"	2-13/32"	932002NYL	Hexagon Plate
2-1/2"	1-3/8"	NYL-Nylon	320 / 1,000	4-1/32"	3-3/32"	933000NYL	Stemless
2-1/2"	1-3/8"	NYL-Nylon	320 / 1,000	4-1/32"	3-3/32"	933001NYL	Square Plate

Dia.	Type	Size	Code
1-3/4"	Stemless	M12 x 1.75P Tap Depth 9/32"	00
1-3/4"	Hexagon Plate	Overall: 2-3/4" x 2-3/4" Hole Spacing: Center dia. 65mm x 6 holes Attaching Bolt Size: M6 x 1.0P	02
1-3/4"	Square Plate	Overall: 2-7/8" x 2-7/8" Hole Spacing: 2-9/32" x 2-9/32" Attaching Bolt Size: M6 (1/4")	01
2-1/2"	Stemless	M12 x 1.75P Tap Depth 25/32"	00
1-3/4"	Square Plate	Overall: 3-35/64" x 3-35/64" Hole Spacing: 2-3/4" x 2-3/4" Attaching Bolt Size: M8 (5/16")	01

Code	Finish
IPC	Ivory Power Coating (Standard)
ZN	Zinc Plating
CR	Chrome Plating

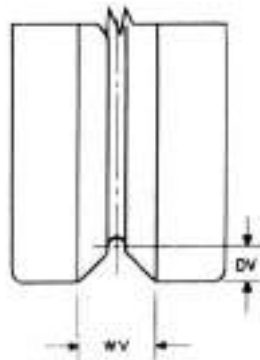
V-GROOVE CASTERS

Designed for use on inverted angle track for any service requiring guidance of the truck or conveyor unit. Suggested uses include movement of production jigs or fixtures in straight line assembly, travel in and out of “blind alley” retorts or ovens, and in assembly or processing operations where rivets, bolts or other wheel stopping hazards might impede normal movement.

V-GROOVE CASTER FEATURES

- Complete flexibility either on the floor or track.
- Wheel face and “V” groove fully machined.
- Wheel Bearings - straight roller, with hardened and precision ground spanner bushing inner race for medium to heavy duty service. Tapered roller bearings for heavier duty or more rugged applications.
- Lubrication - full pressure type to all bearings.
- Finish - Rigs thru Series 90 are plated Series 94 and 95 rigs and all wheels are finished in aluminum enamel.

OPTIONAL FEATURES AVAILABLE:
See appropriate caster series

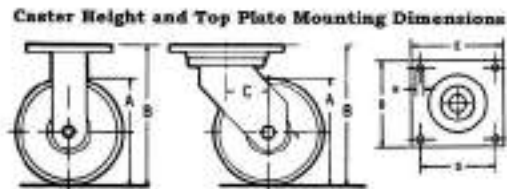


Swivel Caster Model 72-VG-062001-S shown in position on angle iron track

NYLACRON™ Wheels Available



95-VH-10709-R rigid caster with 10 x 4 V-Groove wheel 15,000 pound rating



V-GROOVE CASTERS

V-GROOVE CASTER SPECIFICATIONS with CAST IRON WHEELS

Dia. (inch)	Width (inch)	Cap. (R Brg)	Cap. (T Brg)	OAH (inch)	Hub Length (inch)	Swivel Lead (inch)	Bolt Hole Centers (inch)	Top Plate (inch)	Wt. (lbs.)	Part Number Roller Brg	Part Number Tapered Brg
4	1-3/4	800	-	5-5/8	2-3/16	1-7/16	2-5/8 x 3-5/8	4 x 4-1/2	7-1/2	16VGR04201	-
4	1-3/4	800	-	5-5/8	2-3/16	1-5/16	3-3/8 x 5-1/4	4-1/2 x 6-1/4	9-1/4	62VGR04201	-
4	1-3/4	800	-	5-5/8	2-3/16	1-7/16	2-5/8 x 3-5/8	4-1/2 x 6-1/4	9	71VGR04201	-
4	1-3/4	800	-	5-5/8	2-3/16	1-7/16	2-7/16 x 4-15/16	4-1/2 x 6-1/4	10-1/2	72VGR04201	-
5	2	800	-	6-1/2	2-3/16	1-5/8	2-5/8 x 3-5/8	4 x 4-1/2	8-1/2	16VGR05201	-
5	2	800	-	6-1/2	2-3/16	1-1/2	3-3/8 x 5-1/4	4-1/2 x 6-1/4	10-1/4	62VGR05201	-
5	2	800	-	6-1/2	2-3/16	1-13/16	2-5/8 x 3-5/8	4-1/2 x 6-1/4	10	71VGR05201	-
5	2	800	-	6-1/2	2-3/16	1-13/16	2-7/16 x 4-15/16	4 x 6	11-1/2	72VGR05201	-
6	2	900	-	7-1/4	2-3/16	1-3/4	2-5/8 x 3-5/8	4 x 4-1/2	11-3/4	16VGR06201	-
6	2	1000	-	7-1/2	2-3/16	1-3/4	2-7/16 x 4-15/16	4-1/2 x 6-1/4	13-1/2	62VGR06201	-
6	2	1000	-	7-1/2	2-3/16	2-1/4	2-5/8 x 3-5/8	4 x 5	13-1/4	71VGR06201	-
6	2	1000	-	7-1/2	2-3/16	2-1/4	2-5/8 x 4-7/8	4 x 6	14-3/4	72VGR06201	-
6	2-1/2	2000	2000	7-5/8	3-1/4	1-1/2	3-3/8 x 5-1/4	4-1/2 x 6-1/4	21-3/4	81VGR06401	81VGR06409
6	2-1/2	2500	2500	8	3-1/4	2-1/4	3-3/8 x 5-1/4	5-1/4 x 7-1/4	26-1/4	90VGR-06401	90VGR06409
8	2-1/2	2000	2000	10-1/8	3-1/4	2-1/4	3-3/8 x 5-1/4	4-1/2 x 6-1/4	26-1/4	81VGR08401	81VGR08409
8	3	2500	2500	10-1/2	3-1/4	2-1/2	3-3/8 x 5-1/4	5-1/4 x 7-1/4	31-3/4	90VGR08401	90VGR08409
8	3	4000	4000	10-1/2	3-1/4	2-1/2	4-1/2 x 6	6-1/2 x 7-1/2	42-3/4	94VGR08501	90VGR08509
10	3	3000	3500	12-1/2	3-1/4	2-1/2	3-3/8 x 5-1/4	5 x 7-1/4	42-1/2	90VGR10501	90VGR10509
10	3	3000	3500	12-1/2	3-1/4	2-1/2	3-3/8 x 5-1/4	5 x 7-1/4	42-1/2	90VGR10501	90VGR10509
10	3	4000	4000	12-1/2	3-1/4	2-1/2	4-1/2 x 6	6-1/2 x 7-1/2	53-1/2	94VGR10501	90VGR10509
								6 x 7-1/2			

*Add "B" for Ball Bearing, "P" for Precision Bearing, "PL" for Plain Bearing, "R" for Roller Bearing or "T" for Tapered Bearing.

All Rig Options should be added to the end of the part number. (i.e. 72DW-PB-R*-0415-SL for Swivel Lock)

See Wheel Section for other premium wheels.

V-GROOVE CASTER SPECIFICATIONS with DROP FORGED WHEELS

Dia. (inch)	Width (inch)	Cap. (R Brg)	Cap. (T Brg)	OAH (inch)	Hub Length (inch)	Swivel Lead (inch)	Bolt Hole Centers (inch)	Top Plate (inch)	Wt. (lbs.)	Part Number Roller Brg	Part Number Tapered Brg
6	3	6000	6500	8-1/2	3-1/4	2-1/2	4-1/2 x 6	6-1/2 x 7-1/2 6 x 7-1/2	45	94VFR06501	94VFR06509
6	3	6000	10000	9	3-1/4	2-1/4	7 x 7	8-1/2 x 8-1/2	59-1/2	95VFR06501	95VHR06509
8	4	8350	10000	10-1/2	4-1/4	2-1/2	4-1/2 x 6	6-1/2 x 7-1/2 6 x 7-1/2	47	94VFR08701	94VFR08709
8	4	8350	15000	11	4-1/4	2-1/4	7 x 7	8-1/2 x 8-1/2	61-1/2	95VFR08701	95VHR08709
10	3	6000	6000	12-1/2	3-1/4	2-1/2	4-1/2 x 6	6-1/2 x 7-1/2	63	94VHR10501	94VHR10509
10	4	8350	10000	12-1/2	4-1/4	2-1/2	4-1/2 x 6	6-1/2 x 7-1/2	73-3/4	94VFR10701	94VFR10709
10	3	6000	6000	13	3-1/4	2-1/2	7 x 7	8-1/2 x 8-1/2	67-3/4	95VHR10501	95VHR10509
10	4	8350	15000	13	4-1/4	2-1/4	7 x 7	8-1/2 x 8-1/2	89-1/2	95VFR10701	95VHR10709

*Add "B" for Ball Bearing, "P" for Precision Bearing, "PL" for Plain Bearing, "R" for Roller Bearing or "T" for Tapered Bearing

All Rig Options should be added to the end of the part number. (i.e. 72DW-PB-R*-0415-SL for Swivel Lock)

See Wheel Section for other premium wheels

**ALL V-GROOVE CASTERS ARE NOW AVAILABLE IN KINGPINLESS CONSTRUCTION
WITH NYLACRON™ PRECISION BEARING WHEELS**

KINGPINLESS PNEUMATIC CASTERS

KINGPINLESS PNEUMATIC CASTER FEATURES

4K: Cold forged top plate, yoke and button are all heat treated to prevent brinelling, improve swivel action and increase service life. Load and thrust bearings are hardened and ground and rotate on hardened raceways. All swivel sections are equipped with a lubrication fitting for field maintenance. Notched yokes are standard.

5K Series/Raceway Design: Patented Kingpinless™ single ball bearing precision machined raceway, to 53 Rockwell C minimum, lube fittings for swivel bearings and for wheel bearings. Swivel section features a 2-3/8" diameter raceway with 3/8" ball bearings. Notched yokes are standard.

7K Series/Raceway Design: Patented Kingpinless™ single ball bearing precision machined raceway, to 53 Rockwell C minimum. Swivel section features a 3" diameter raceway with 1/2" ball bearings. Lube fittings for swivel bearings and wheel bearings. Notched yokes are standard.

8K Series/Raceway Design: 4-1/2" diameter raceway with 3/4" diameter carbon steel balls. Precision machined and hardened to 53 Rockwell C minimum. Load and thrust are accommodated by our Patented Kingpinless™ design. Sealed raceway is standard. Swivel Top Plate - SAE 1045 hot steel forging. Swivel Yoke Base - SAE 1045 hot steel forging.

9K Series/Raceway Design: Patented Kingpinless™ single ball bearing precision machined raceway, to 53 Rockwell C minimum. 7" diameter raceway with 3/4" diameter ball bearings.



Note: Maintain proper air pressure for best results. Capacity rating is for manual operation. For capacities of power moved loads, larger diameter or higher capacity wheels, please consult Acorn™.

Options

CWB: Cam Wheel Brake
(8" & 10" only)

DSL: Demountable swivel lock
(requires Notched yoke)

FCWB: Face Contact Wheel Brake
for larger sizes

FF: Foam Filled Tire

HDSL: Heavy-Duty Threaded
Swivel Lock

NY : Notched Yoke

SL: Swivel Lock

SR: Sealed Swivel Raceway

STANDARD TOP PLATES

Series/ Top Plate	Mounting Plate (inch)	Bolt Hole Spacing (inch)	Bolt Size (in)
4K & 5K	4 x 4-1/2	2-5/8 x 3-5/8 slotted to 3 x 3	3/8
7K	5-1/4 x 7-1/4	3-3/8 x 5-1/4 slotted to 4-1/8 x 6-1/8	1/2
8K	6-1/4 x 4-1/2 (swl)	4-1/2 x 6 slotted to 4-1/8 x 6-1/8	1/2
9K	8-1/2 x 8-1/2	7 x 7	5/8

KINGPINLESS PNEUMATIC CASTERS

PNEUMATIC CASTER SPECIFICATIONS

Dia. (inch)	Width (inch)	Cap. (lbs.)	OAH (inch)	Swivel Caster with Straight Roller Bearing	Swivel Caster with Ball Bearing	Swivel Caster with Tapered Bearing	Swl. Lead (inch)	Wt. (lbs.)
8	2.80/4	300	11	4KS8RSF	4KS8BSF	–	2-5/8	9.5
8	2.80/4	300	11	5KS8RSF	5KS8BSF	–	2-5/8	13
8	2.80/4	600	11	5KDWS8RSF	5KDWS8BSF	–	2-5/8	20
10	4.10/4	480	13	4KS10RSF	4KS10RBF	–	3-1/4	11
10	4.10/4	480	13	5KS10RSF	5KS10BSFS	5KS10TSFS	3-1/4	14
10	4.10/4	960	13	5KDWS10RSF	5KDWS10BSFS	5KDWS10TSFSS	3-1/4	22
12	4.10/6	500	15-1/2	4KS12RSF	4KS12RBF	–	3-1/2	14.5
12	4.10/6	500	15-1/2	5KS12RSF	5KS12BRSF	5KS12TRSF	3-1/2	15
12	4.10/6	1000	15-1/2	5KDWS12RSF	5KDWS12BRSF	5KDWS12TRSF	3-1/2	35
14	5.30/6	870	17-3/4	7KS14RSF	7KS14BS	7KS14TSF	4-1/2	28
14	5.30/6	1740	17-3/4	7KDWS14RSF	7KDWS14BS	7KDWS14TSF	4-1/2	41
16	4.80/8	1000	19-1/8	7KS16RSF	–	7KS16TSF	4-1/2	35
16	4.80/8	1230	19-1/8	–	–	8KS16TSF	4	45
16	4.80/8	2000	19-1/8	7KDWS16RSF	–	7KDWS16TS	4-1/2	53
16	4.80/8	2460	19-1/8	–	–	8KDWS16TS*	4	45
18	5.70/8	1170	21-1/4	7KS18RSF	–	7KS18TSF	4-1/2	35
18	5.70/8	2340	21-1/4	7KDWS18RSF	–	7KDWS18TSF	4	45
18	5.70/8	1560	21-1/2	8KS18RSF	–	8KS18TSF	4-1/2	53
18	5.70/8	3120	21-1/2	8KDWS18RSF	–	8KDWS18TS	4	45
21	6.90/9	2420	24-1/4	–	–	10KS21T	5	84.5
21	6.90/9	4840	24-1/4	–	–	10KDWS21T	5	130
23	6.50/10	2775	26-1/4	–	–	10KS23T	5	87
23	6.50/10	5550	26-1/4	–	–	10KDWS23T	5	135
25	7.50/10	3630	28-3/4	–	–	10KS25T	5	90.5
25	7.50/10	7260	28-3/4	–	–	10KDWS25T	5	140

For rigid casters, change “S” to “R” (i.e. 4KS8RSF becomes **4KR8RSF**)

All Rig Options should be added to the end of the part number. (i.e. 4KS8RSF**SL** for Swivel Lock)

ALL PNEUMATIC WHEELS ARE AVAILABLE WITH SEALED PRECISION BEARINGS

*Add 1/8” to caster overall height when using this top plate.

**Deduct 1/16” to caster overall height when using this top plate.

***6 ply

****10 ply

4 ply is standard

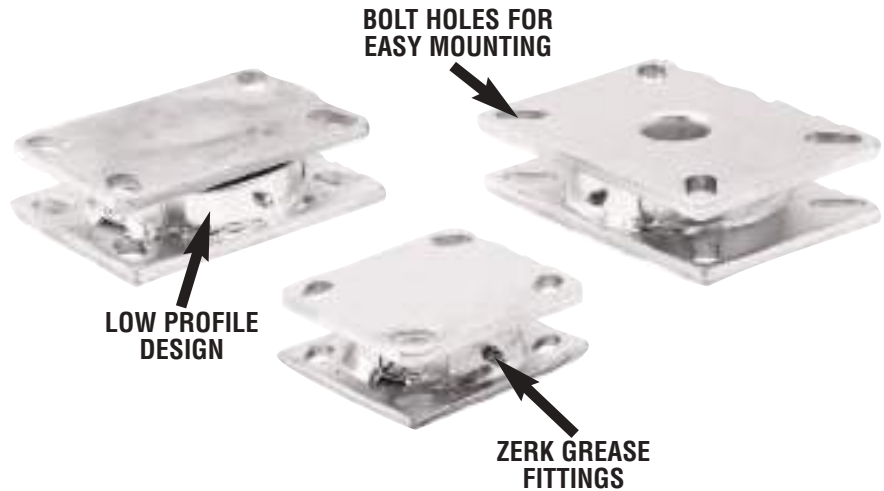
OPTIONAL TOP PLATES

Series/ Top Plate	Mounting Plate (inch)	Bolt Hole Spacing (inch)	Bolt Size (inch)
4K & 5K Top Plates			
4KJ	4 x 5	2-5/8 x 3-5/8 slotted to 3 x 4	3/8
4KK	4-1/2 x 6-1/2	2-7/16 x 4-15/16 slotted to 3-3/8 x 5-1/4	1/2
4KD	5 x 5-1/2	4-1/8 x 4-1/2	3/8
7K Top Plates			
7KB	6 x 7	4-5/8 x 5-1/2 slotted to 4-3/8 x 5-5/8	1/2
7KC	6 x 7-1/2	4-1/2 x 6 slotted to 4-1/8 x 6-1/8	1/2
7KE	4-1/2 x 6-1/2	2-7/16 x 4-15/16 slotted to 3-3/8 x 5-1/4	1/2
9K Top Plates			
9KA	8-1/2 x 11	7 x 9-3/4	5/8

Maintain proper air pressure for best results. Capacity rating is for manual operation. For capacities of power moved loads, larger diameter or higher capacity wheels, please consult Acorn™.

TURNTABLES

- Capacity up to 10 tons.
- A proven workhorse in the most abusive applications.
- Maximize workspace...enables workers to remain in one position and rotate items they're working with from all sides.
- Zinc plated finish.
- Kingpinless design for added strength and durability.



“Forged Steel” Construction • Plates are AISI 1045 steel one-piece forging precision machined and through-hardened. Bearing mounted on precision machined raceway.

Part Number	Description	Top Plate Size (inch)	Overall Height (inch)	Capacity (lbs.)
TT100000	1/4" thick mounting plates, 3/8" ball bearings	4" x 4-1/2"	1.73"	1700
TT300000	5/16" mounting plates, 1/2" ball bearings	4-1/2" x 6-1/4"	1.73"	5500
TT400000	3/8" thick mounting plates, 1/2" ball bearings	5-1/4" x 7-1/4"	1.73"	5500
TT600000	1/2" thick mounting plates, 3/4" ball bearings 4-1/2" raceway	6-1/4" x 7-1/4"	2.75"	10000
TT700000	1/2" thick mounting plates, 3/4" ball bearings 7" raceway	8-1/2" x 8-1/2"	3.125"	20000

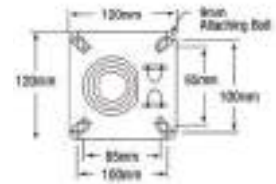
“Stamped Steel” Construction • Plates are AISI 1045 heat treated steel welded inside and out. Bearing mounted on heat treated machined raceway.

Part Number	Description	Top Plate Size (inch)	Overall Height (inch)	Capacity (lbs.)
TT110000	1/4" thick mounting plates, 3/8" ball bearings	4" x 4-1/2"	1.53"	1400
TT310000	5/16" mounting plates, 1/2" ball bearings	4-1/2" x 6-1/4"	1.75"	4100
TT410000	3/8" thick mounting plates, 1/2" ball bearings	5-1/4" x 7-1/4"	1.75"	5400
TT610000	1/2" thick mounting plates, 3/4" ball bearings 4-1/2" raceway	6-1/4" x 7-1/4"	2.78"	9500

FLOOR LOCKS

16 LE Series

- Top plate fitting medium duty truck lock.
- Extra heavy duty construction.
- Safely secures the truck in position while loading or unloading.
- Instantly released by slight downward pressure.
- Large diameter, non-skid rubber pad ensures firm grip to uneven ground surfaces.
- Operating force does not vary with load.
- Finish: Zinc plated or ROHS compliant.



STANDARD 16 SERIES TOP PLATE

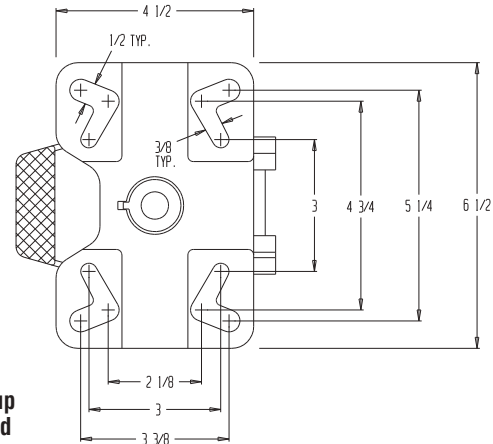
Wheel Diameter (inch)	Caster Height (inch)	Retracted Clearance (inch)	Approx. Weight (lbs.)	Part Number
5	6-1/2	1-1/2	3-3/4	16LE0580
6	7-1/4	1-1/2	3-3/4	16LE0680
8	9-1/2	1-1/2	3-3/4	16LE0780
6	7-1/2	1-1/2	3-3/4	110LE0680
8	10-1/8	1-1/2	3-3/4	110LE0880

FL-ADJ Series

This one of a kind floor lock includes an adjustable height foot pad that will work on carts with different caster heights. The adjustable height feature provides uniform locking and safety unlocking force for better ergonomic operation. This feature also keeps the floor lock working properly as spring and pads wear over time. Height is adjustable by turning the bottom pad. This unit has a bright zinc plated finish with heavy-duty cast steel construction. The bottom pad includes suction cups for extra grip.



Suction cup bottom pad



Part Number	Extended Height (inch)	Retracted Height (inch)	Used with Caster Size (inch)	Approx. Wt. (lbs.)
-------------	------------------------	-------------------------	------------------------------	--------------------

Zinc plated finish with heavy-duty steel construction

FLADJ46	5-3/4" to 8"	4-3/4" to 7"	4" - 6"	9
FLADJ810	7-5/8" to 10-7/8"	6-1/4" to 9-1/2"	8" - 10"	11

Stainless Steel Construction

FLADJ46SS	5-3/4" to 8"	4-3/4" to 7"	4" - 6"	9
FLADJ810SS	7-5/8" to 10-7/8"	6-1/4" to 9-1/2"	8" - 10"	11

FLOOR LOCKS

Standard Steel Floor Locks

Model Number	Height Unlocked	Height Locked	Bolt Hole Centers	Bolt Hole Spacing	Top Plate Size	Bolt Hole Size	Weight (Approx)
FL4	4-1/2"	5-5/8"	3" x 3"	2-5/8" x 3-5/8"	4" x 4-1/2"	3/8"	3.5
FL5	5-3/8"	6-1/2"	3" x 3"	2-5/8" x 3-5/8"	4" x 4-1/2"	3/8"	4
FL6	6-1/2"	7-1/2"	3" x 3"	2-5/8" x 3-5/8"	4" x 4-1/2"	3/8"	4
FL8	8-1/2"	9-1/2"	3" x 3"	2-5/8" x 3-5/8"	4" x 4-1/2"	3/8"	4

Standard Steel Floor Locks (FL)



Stainless Steel Floor Locks (SSFL)



Stainless Steel Floor Locks

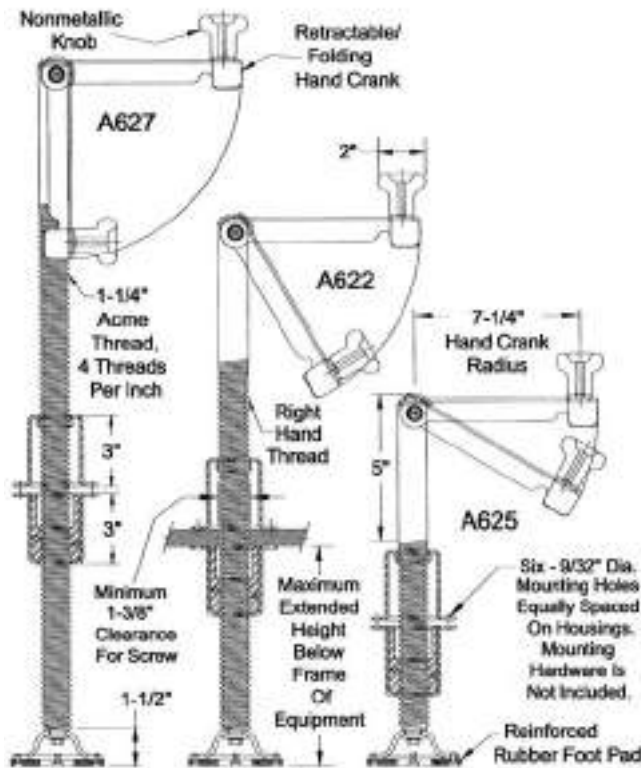
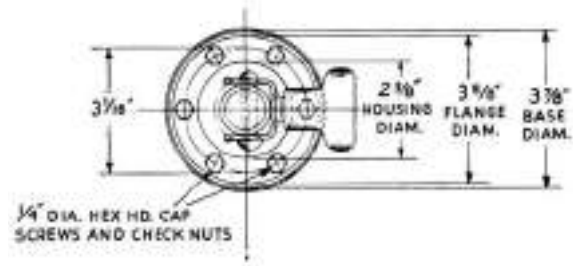
Model Number	Height Unlocked	Height Locked	Bolt Hole Centers	Bolt Hole Spacing	Top Plate Size	Bolt Hole Size	Weight (Approx)
SSFL4	4-1/2"	5-5/8"	3" x 3"	2-5/8" x 3-5/8"	4" x 4-1/2"	3/8"	3.5
SSFL5	5-3/8"	6-1/2"	3" x 3"	2-5/8" x 3-5/8"	4" x 4-1/2"	3/8"	4
SSFL6	6-1/2"	7-1/2"	3" x 3"	2-5/8" x 3-5/8"	4" x 4-1/2"	3/8"	4
SSFL8	8-1/2"	9-1/2"	3" x 3"	2-5/8" x 3-5/8"	4" x 4-1/2"	3/8"	4

Typical Floor or Truck Lock Installation Configuration



LEVELING JACKS

Economical and practical method for leveling and stabilizing portable equipment such as work stations. Used to brake equipment in place and elevate it to the required height. An economical and practical method for leveling and stabilizing portable equipment such as work platforms. They are used to brake equipment in place and elevate it to a required height. These screw jacks can be used in areas where position locks cannot be applied. The hand crank has a radius of 7-1/4". All exposed metal parts are zinc plated for proven rust prevention.



A- Series Leveling Jack Heavy Duty Premium

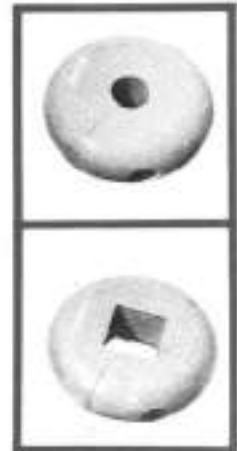
Length of of Screw Travel (inch)	Overall Height (inch)	Maximum Extended Height Below Frame of Equipment (inch)	Minimum Height Below Frame of Equipment (inch)	Floor Jack Catalog Number	Approx. Weight (lbs.)
9	18	13-1/2"	4-1/2"	A625	9
17	26	21-1/2"	4-1/2"	A622	12
21	30	25-1/2"	4-1/2"	A627	13

BUMPERS

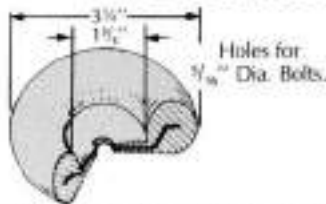
ROUND TUBING BUMPER

3" OUTSIDE DIAMETER	Number	3" OUTSIDE DIAMETER	Number
5/8" Diam. I.D.	A-8400	7/8" Square I.D.	A-8409
3/4" Diam. I.D.	A-8401	1" Square I.D.	A-8410
7/8" Diam. I.D.	A-8402		
1" Diam. I.D.	A-8403		
1-1/4" Diam. I.D.	A-8404		
Weight 3 oz. each.		Weight 4 oz. each.	

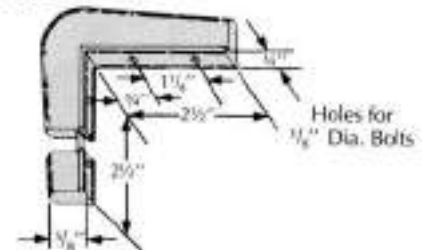
5" OUTSIDE DIAMETER	Number	5" OUTSIDE DIAMETER	Number
3/4" Diam. I.D.	A-8355	7/8" Square I.D.	A-8847
1" Diam. I.D.	A-2270	1" Square I.D.	A-7668
1-1/4" Diam. I.D.	A-2274	1-1/4" Square I.D.	A-4953
1-1/2" Diam. I.D.	A-2275	1-1/2" Square I.D.	A-2272
1.9" Diam. I.D.	A-2276	1-5/8" Square I.D.	A-5375
		1-3/4" Square I.D.	A-6147
		2" Square I.D.	A-2273
		1-5/8" x 1-13/16 Rectangle	A-2271
Weight 12 oz. each.		Weight 12 oz. each.	



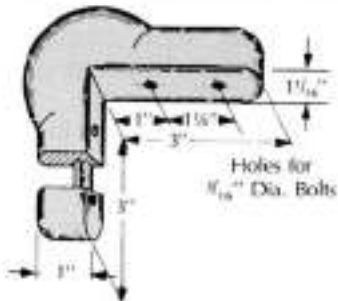
DOUGHNUT AND CORNER BUMPERS



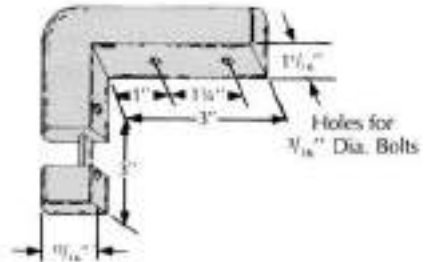
A-813 DOUGHNUT BUMPERS. Commonly installed on the ends of tubular handles to give needed protection in manipulation of equipment. Note steel insert. Attached to wood with wood screws or to metal with rivets, bolts or metal screws. Weight 6 oz. each.



A-2680 CORNER BUMPER. Made especially for use with A-1541 Strip Bumper, giving a uniform continuous effect all around the equipment. Weight 5 oz. each.



A-833 CORNER BUMPERS. Made to give adequate protection to all surfaces that may be contacted, such as doors, doorfacings, walls, furniture and other equipment. Easily attached by using self-tapping sheet metal screws. Weight 6 oz. each.



A-1876 CORNER BUMPERS. Made especially for use with A-567 Strip Bumper, giving a uniform continuous effect all around the equipment. Weight 5 oz. each.

TIRING



GREY 7/8" TIRING is compounded for use on wheelchairs and other similar wheels. Has very good wearing qualities and will withstand rough use. Tiring can be supplied in lengths up to 250 ft. Weight 5 oz./ft. Black also available.



GREY 1-1/4" TIRING is compounded for use on wheelchairs and other similar wheels. Has very good wearing qualities and will withstand rough use. Tiring can be supplied in lengths up to 250 ft. Weight 8 oz./ft. Black also available.

BUMPERS - (WITH OR WITHOUT INSERTS) - CAN BE PROVIDED IN SPECIAL LENGTHS

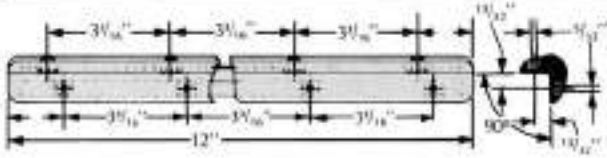
BUMPERS



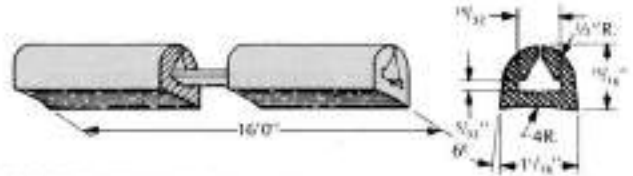
MODEL A-2041 provides excellent protection for desk and table edges, etc. Maximum lengths 16 ft. for easy installation. Metal insert optional. Wt. 14 oz./ft.



MODEL A-4652 is a flat-based rubber strip bumper, with split top for easier installation. Wt. 4 oz./ft. Metal insert optional.



MODEL A-4925 is a molded strip corner bumper 12" long, for application to any right angle shape. Easily installed with self tapping metal screws. Wt. 8 oz. ea.



MODEL A-2084 is a flat based rubber strip bumper designed for same use as A-567. With split top for easier installation. Wt. 9 oz./ft. Metal insert optional.



MODEL A-1541 is a very popular small-sized strip bumper that is adaptable to many applications. This model is easily applied to equipment. Wt. 4 oz./ft. Metal insert optional.



MODEL A-1023 is used with 1" Commercial channel iron, but is designed for lighter service, eliminating unnecessary weight. Will pay for itself many times over. Wt. 12 oz./ft. Metal insert optional.



MODEL A-1019 made especially for 1-1/4" Commercial channel iron is used for heavier type equipment where strength is necessary for operation. Gives that extra needed protection. Wt. 12 oz./ft. Metal insert optional.



MODEL A-567 is a flat-based rubber strip designed for installation on either metal or wood surfaces. This model is easily applied and does not require a special channel. Wt. 9 oz./ft. Metal insert optional.

MOLD-ON REVOLVING BUMPERS HEAVY DUTY RUBBER BUMPERS

3" DIA.	4" DIA.	5" DIA.
3/8" Wide Face Weight 6 oz. ea.	3/8" Wide Face Weight 8 oz. ea.	1/2" Wide Face Weight 11 oz. ea.
A-4465	A-6475	A-7569

DIA. INCHES	WEIGHT	MODEL NUMBER
4"	5 oz.	A-4940
5"	12 oz.	A-4941
7"	26 oz.	A-4597
7-1/2"	28 oz.	A-4820
8-1/2"	42 oz.	B-6487



REVOLVING BUMPERS are designed to fit on a caster stem and present the bed or other article of furniture on which they are used, from striking the wall. The bumper will strike the wall first and, if the bed is moved along the wall, the bumper will revolve, thus eliminating any chance of smearing the wall or causing an erasure. Made from grey non-marking rubber. When ordering Revolving Bumpers, specify either 7/16" or 5/8"

Designed to fit almost every type of portable equipment requiring heavy duty bumpers. These solid rubber bumpers with a heavy steel insert are made of grey (non-marking) rubber molded around the steel insert, making the entire unit virtually indestructible and long lasting. The machines steel hubs are made in the following standard stem sizes: 7/16", 1/2", 9/16", 5/8", 3/4", 13/16", 7/8" and 1". Other sizes available on request.



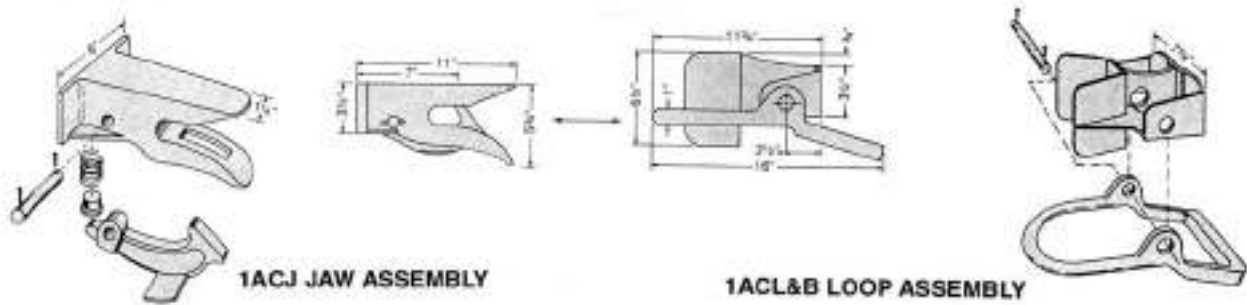
BUMPERS - (WITH OR WITHOUT INSERTS) - CAN BE PROVIDED IN SPECIAL LENGTHS

COUPLERS

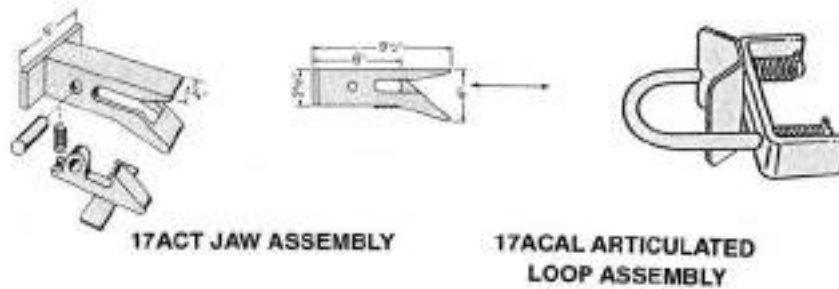
Automatic couplers are almost universally seen on caster-steer trailers – interchangeable with most makes.

Made in two capacities: the heavy duty model for trailers of 1-1/4 ton to 10 ton capacity; has cast steel bail and jaw sections; the light duty model for up to 2,500 lb. trailers has a fabricated bail section and smaller jaw assembly. (Both are interchangeable with comparable competitive brands, but a light duty jaw will not accept a heavy duty bail.)

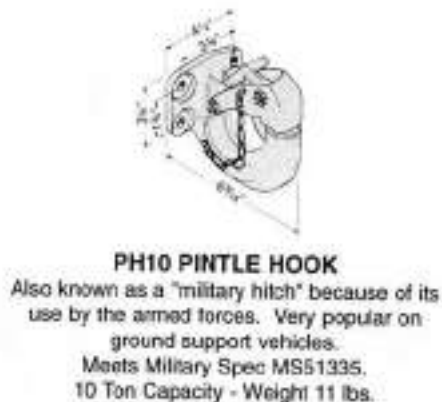
10 TON AUTOMATIC



1-1/4 TON AUTOMATIC



10 TON MANUAL



ACORN™ DELUXE PLASTIC UTILITY CARTS WITH ACORN ERGO CASTERS

550 LB. CAPACITY
EVENLY DISTRIBUTED LOADS

Made in the USA!



POLISHED CHROME OR POLISHED STAINLESS STEEL CASTERS

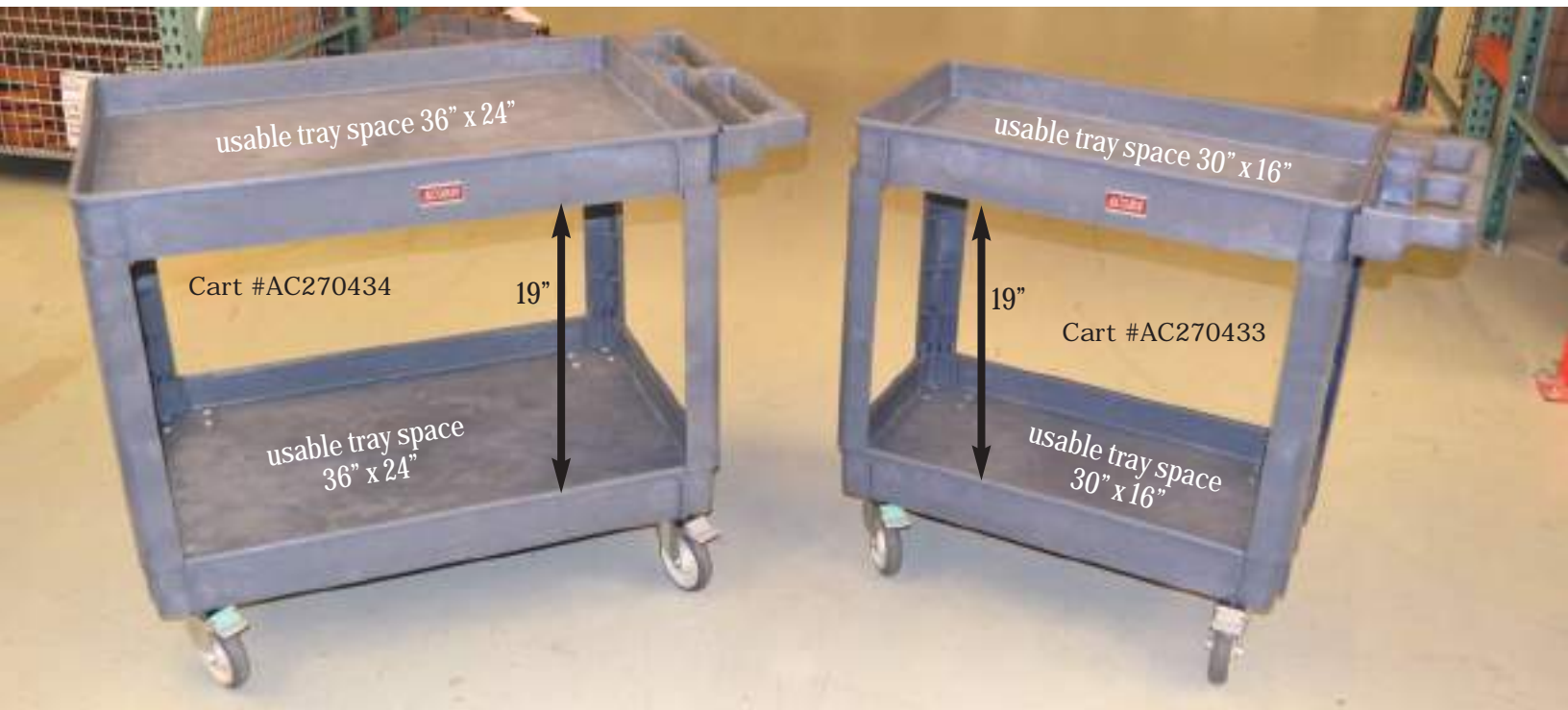
WITH STANDARD OR STAINLESS PRECISION BALL BEARINGS IN WHEELS

EASILY INSTALLED PER INSTALLATION INSTRUCTIONS

ADDITIONAL CASTERS FOR THESE OR OTHER PLASTIC UTILITY CARTS

SEE CATEGORY 2 • PAGE 46

CARTS



Cart #AC270434 shown with

2 Swivel, 2 Directional Lock Swivel & 2 Total Lock with nylon brake pedals with precision ball bearings 5" TPR wheels.

See Acorn Catalog for all other Category 2 wheels available for this cart.

Overall dimensions: AC270434

Usable tray space: 36" x 24"
Overall Height: 35.5"
Overall Width: 25"

Excellent for:

- Hospitals/Health Care
- Kitchen Trolleys
- Food Carts
- Food Processing Plants
- Commercial Kitchens
- Laboratory Equipment
- Machine Shop Tool Carts
- Distribution Centers
- Assembly Areas

Cart #AC270433 shown with

2 Swivel, 2 Directional Lock Swivel & 2 Total Lock with nylon brake pedals with precision ball bearings 5" TPR wheels.

See Acorn Catalog for all other Category 2 wheels available for this cart.

Overall dimensions: AC270433

Usable tray space: 30" x 16"
Overall Height: 33.5"
Overall Width: 16.5"

Features:

- Available in two sizes: 16" x 30" & 24" x 36".
- Optional 3rd shelf.
- Heavy duty construction resists chips, dents & rust.
- Push handle has compartments to accommodate a variety of tools, labels, small parts, etc.
- Shipped KD, boxed, and includes
 - QTY 2 - Y380XP51CR/TPR5 5" TPR wheel with foot operated Total Lock with nylon pedals.
 - QTY 2 - Y380XDP51CR/TPR5 5" TPR wheel with foot operated one position Directional Lock to act like a rigid.
- Shelf depth 2.625"

CARTS

*Easy to assemble
Deluxe Plastic Utility Carts.*

*Complete set of parts are
provided if sold unassembled.*

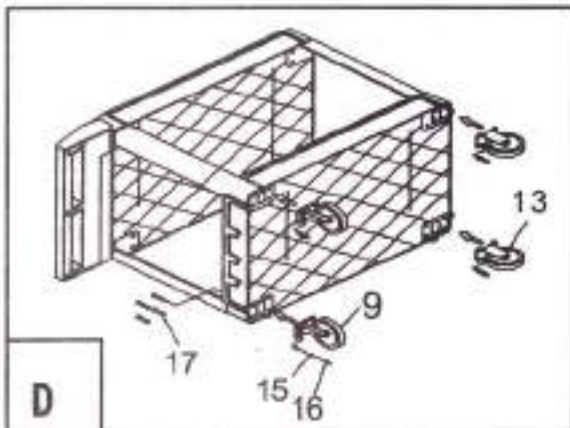
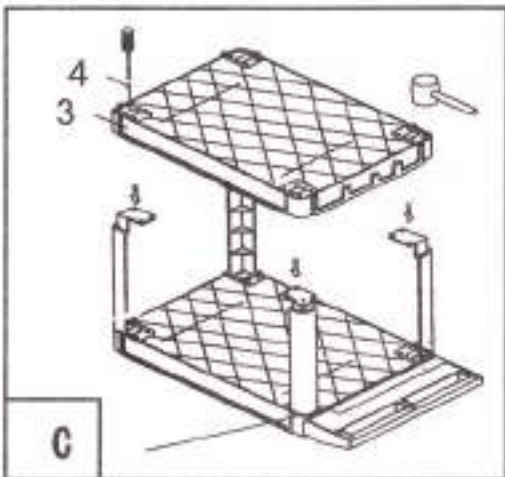
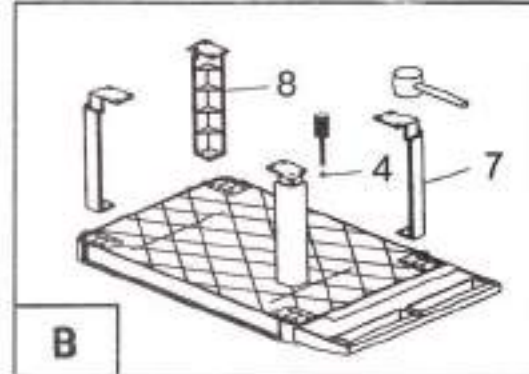
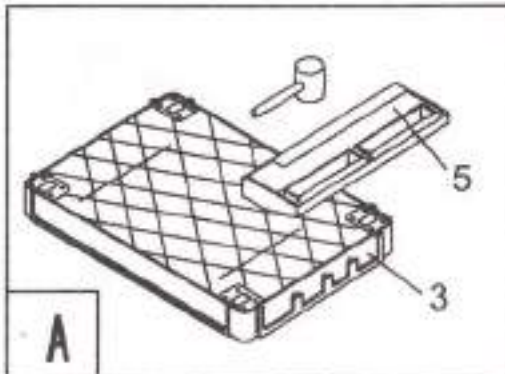
Also available assembled.

In stock and ready for delivery.

Instruction Manual included.



5" TPR wheel w/Directional Lock



***Replacement casters for existing plastic carts
with all necessary hardware to install.***

***QTY 2 - Y380XP51CR/TPR5 5" TPR wheel with foot
operated Total Lock with nylon pedals.***

***QTY 2 - Y380XDP51CR/TPR5 5" TPR wheel with foot
operated one position Directional Lock to act
like a rigid.***

Other type 1 1/4" wheels available (see wheel section).



5" TPR wheel w/Total Lock

CASTER JACKS

2,200 LBS. LOAD CAPACITY

Caster Jacks

- Ideal for easy movement and vertical adjustment of machines and work platforms.
- All steel construction.
- 3 inch lift
- Use a ratchet type Hex Spanner or else you can also use the hole provided to turn it with a Threaded Rod.



Wheel Dia. (inch)	Tread Width (inch)	Wheel Type	Fully Extended Height (inch)	Load Capacity (lbs.)	Part Number	Retracted Lift (inch)	Swivel Radius (inch)	Top Plate (inch)	Bolt Hole Center (inch)	Attaching Bolt Size (inch)
6	2	Polyurethane	22-1/2	1650	JA-SAS-6	3	5-1/4	6 x 4-1/8	4-1/2 x 2-1/2	1/2
8	2	Polyurethane	24-1/2	2200	JA-SAS-8	3	6-1/4	6 x 4-1/8	4-1/2 x 2-1/2	1/2
6	2	Nylacron™	22-1/2	2200	JA-NY-6	3	5-1/4	6 x 4-1/8	4-1/2 x 2-1/2	1/2
8	2	Nylacron™	24-1/2	2200	JA-NY-8	3	6-1/4	6 x 4-1/8	4-1/2 x 2-1/2	1/2



2,200 LBS. LOAD CAPACITY

JC-SW Series Side Winding Jacks

Wheel Dia. (inch)	Tread Width (inch)	Wheel Type	Fully Extended Height (inch)	Load Capacity (lbs.)	Part Number	Retracted Lift (inch)	Swivel Radius (inch)	Top Plate (inch)	Bolt Hole Center (inch)	Attaching Bolt Size (inch)
6	2	Polyurethane	32	1650	JC-SW-SAS-6	24-1/2	5-1/4	6 x 4	4-3/8 x 2-3/8	1/2
8	2	Polyurethane	34	2200	JC-SW-SAS-8	26-1/2	6-1/4	6 x 4	4-3/8 x 2-3/8	1/2
6	2	Nylacron™	32	2200	JC-SW-NY-6	24-1/2	5-1/4	6 x 4	4-3/8 x 2-3/8	1/2
8	2	Nylacron™	34	2200	JC-SW-NY-8	26-1/2	6-1/4	6 x 4	4-3/8 x 2-3/8	1/2

CASTER JACKS



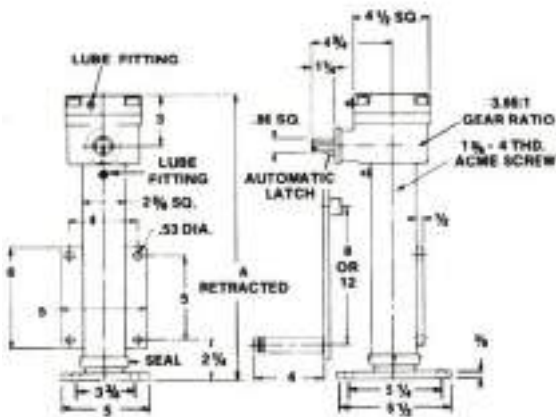
7,500 LBS. LOAD CAPACITY

Four-in-One CasterJacks

1. Lift 2. Lower 3. Swivel 4. Roll

All FOUR-IN-ONE casterjacks can be furnished with or without the casters. Special care must be taken when selecting your caster requirement to make certain you do not exceed the maximum allowable caster size specified for each individual casterjack assembly. Usable size load capability is a factor of the rated load, overall height and the swivel offset of the caster assembly selected. Kingpinless casters with Nylacron™ wheels are recommended for all casterjacks. For application assistance, contact Acorn™.

Custom Caster Jacks Available.
Consult Acorn™ for more information and specifications.



7500 lbs. capacity fixed pad jack (without caster) Jack Data

Part Number	Stroke	A	Weight Less Caster	Side Load lb.
31038-3	3	13-3/4	41-1/2	725
31038-6	6	16-3/4	45	600
31038-12	12	22-3/4	52	450
31038-18	18	28-3/4	59	350

4000 lbs. capacity casterjack (with caster) Caster Data

Part Number	Maximum Capacity	Maximum Caster Height	Maximum Offset	Bolt Hole Spacing	Bolt Diameter
31038-3	4000	10-5/16	2-1/2	3-3/8 x 5-1/4	1/2
31038-6	4000	10-5/16	2-1/2	3-3/8 x 5-1/4	1/2
31038-12	4000	10-5/16	2-1/2	3-3/8 x 5-1/4	1/2
31038-18	4000	10-5/16	2-1/2	3-3/8 x 5-1/4	1/2

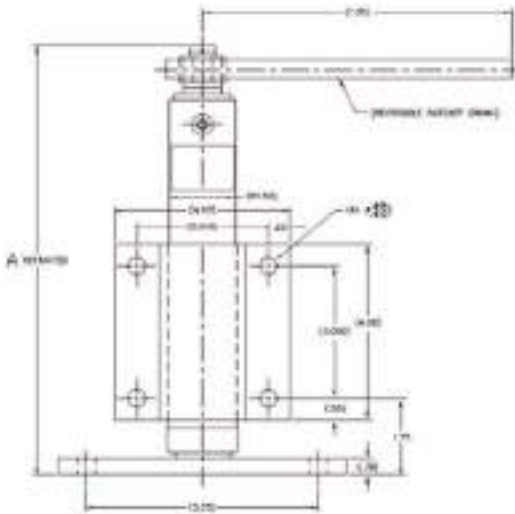
Basic Data:

- 14.6 revs. input for 1 inch of stroke
- 4000 lb. maximum operating load, compression
- Approx. 80 inch lb. torque input at maximum operating load.
- Specify crank: 8 inches

* Side load capacity base on 4,000 lbs. load with jack at full extension and with caster mounted having a maximum overall height of 10-5/16" and 2-1/2" swivel offset. Unit must be securely fixed at point of jack side plate, and also between jack base plate and caster top plate.

* See basic data for 31000 jack assemblies when using unit less caster.

CASTER JACKS



500 lb. Capacity/Fixed Pad Basic Data

Part Number	Stroke	A	Weightless Caster (lb.)	Side Load (lb.)
31068-3	3	9-3/4	5	700
31068-6	6	12-3/4	6	550
31068-9	9	15-3/4	9	350
31068-12	12	18-3/4	11	350
31068-18	18	24-3/4	14	250

Note: * Maximum static load to yield, combined with maximum operating load. Unit must be securely fixed at mounting point of jack side plate to frame member.

500 lb. Capacity/Fixed Pad Available with Caster.

Basic Data:

1. 6 revs. input for 1 inch of stroke
2. 500 lb. maximum operating load, compression
3. 1,500 lbs. maximum static compression to yield
4. Approx. 80 inch lb. torque input at maximum operating load.
5. Furnished with 6 inch crack



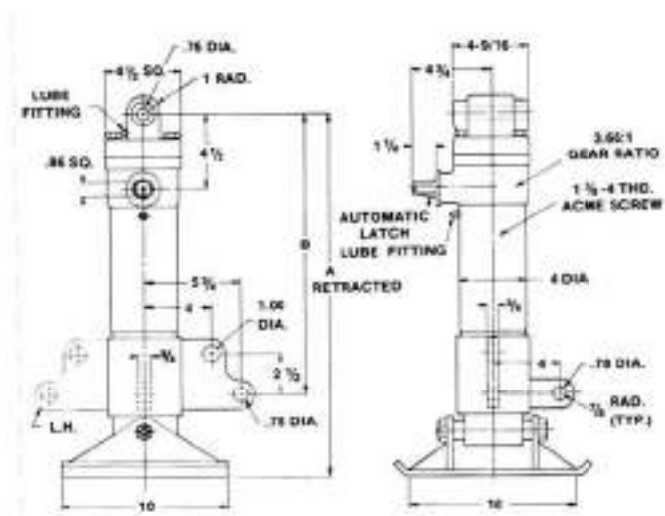
31000 Series Jacks

Seven basic models that meet most every lifting requirement up to 10,000 pounds.

Features:

- 1. Versatile** jacks can operate vertically or horizontally to raise, lower or push your load. Units requiring tension load capability are available on special application.
- 2. Compact** single package unit does away with cylinders or other space consuming arrangements.
- 3. Complete protection of screw & critical parts** by inner and outer tube enclosure. Round tubes in 10,000 lb. models assure precision fit and extreme mounting rigidity. Other models have square tube construction. Special tube locks available where side movement must be completely eliminated.
- 4. Automatic latch & self-locking design** provides double safety against rotation of jack screw under vibration or extreme loading conditions. No need for brakes or expensive locking devices. Automatic latch is standard in 7,500 lb. and 10,000 lb. models. Latch actuates when crank handle is removed from assembly.
- 5. Can take side loads** resulting from uneven terrain, off-center loading, and eccentric mounting methods.
- 6. High efficiency bevel gear-heads** with 3.1 or 3.66 gear ratios in 5,000 lb., 7,500 lb. and 10,000 lb. models. Gearheads have precision tapered thrust bearing steel or bronze driveshaft bushings, large lubricant reservoir. 500 lb. and 1,800 lb. models operate on direct screw drive.
- 7. Stowable** solves ground clearance problem. Trunnion mount 31000 and 31020 models swing up and out of the way...are easily attached to trailer in the horizontal position.
- 8. Corrosion-resistant finish** all jacks are treated with protective phosphate to Mil-P-16232 and are prime painted with red oxide per Mil-TT-P-636. All hardware is zinc or cadmium plated.

CASTER JACKS



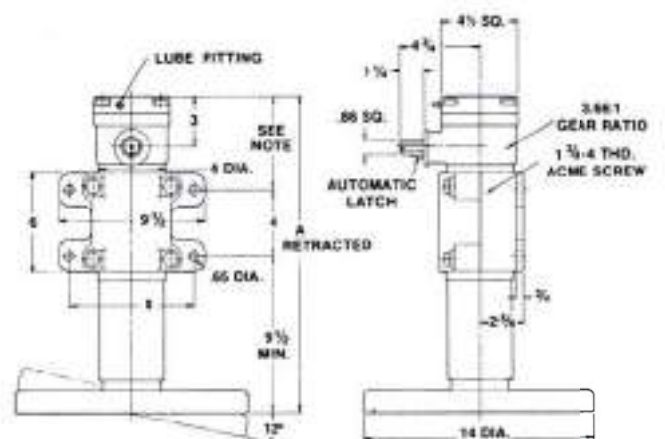
10,000 lbs. capacity - stowable

Part Number	Stroke	A	B	Side Load Lb.	WGT.
31000-6 L or R	6	22	17	11600	71
31000-12 L or R	12	28	23	7000	83
31000-18 L or R	18	34	29	5000	95

Note: *Maximum static side load to yield. combined with maximum operating load. Unit must be securely fixed at connecting points.

Basic Data:

- 14.6 revs. input for 1 inch of stroke.
- 10,000 lb. maximum operating load, compression.
- 25,000 lb. maximum static compression to yield.
- Approx. 380 inch lb. torque input at maximum operating load.
- Specify crank: 8 inches. Part No. 10582-K or 12 inch, Part No. 10582-M.



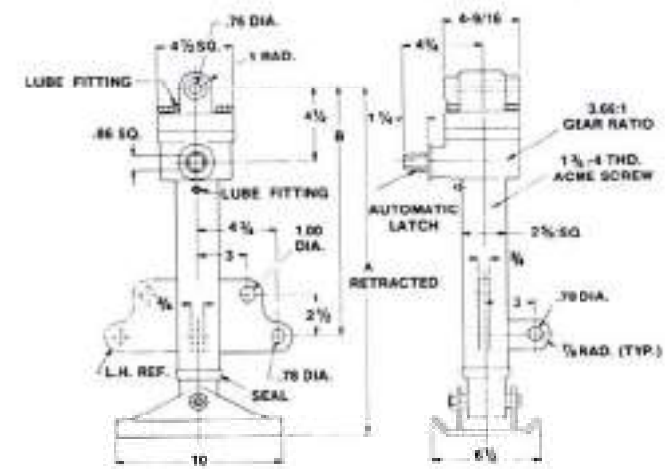
10,000 lbs. capacity - rigid mount

Part Number	Stroke	A	B	Side Load Lb.	WGT.
31010-6 L or R	6	22	19	6300	86
31010-12 L or R	12	28	25	3600	98
31010-18 L or R	18	34	31	2500	100

Note: *Maximum static side load to yield. combined with maximum operating load. Unit must be securely fixed at mounting point of jack side plate to frame member. Adjustable clamp bracket may be adjusted along entire length of tube toward gear head on -12 to -18 models. As a precaution it is advisable to weld bracket to outer tube, on all units, after location of proper mounting height is determined to prevent possible slippage.

Basic Data:

- 14.6 revs. input for 1 inch of stroke.
- 10,000 lb. maximum operating load, compression.
- 25,000 lb. maximum static compression to yield.
- Approx. 380 inch lb. torque input at maximum operating load.
- Specify crank: 8 inches. Part No. 10582-K or 12 inch, Part No. 10582-M.



7,500 lbs. capacity - stowable

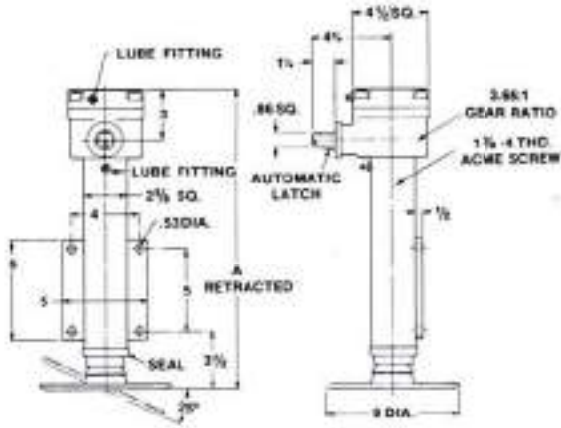
Part Number	Stroke	A	B	Side Load Lb.	WGT.
31020-6 L or R	6	21	15	850	45
31020-12 L or R	12	27	21	500	52
31020-18 L or R	18	33	27	400	59

Note: *Maximum static side load to yield. combined with maximum operating load. Unit must be securely fixed at connecting points.

Basic Data:

- 14.6 revs. input for 1 inch of stroke.
- 7,500 lb. maximum operating load, compression.
- 22,000 lb. maximum static compression to yield.
- Approx. 285 inch lb. torque input at maximum operating load.
- Specify crank: 8 inches. Part No. 10582-K or 12 inch, Part No. 10582-M.
- Available with 14" dia. all terrain foot pad. Specify Part No. 31022-6 etc.

CASTER JACKS



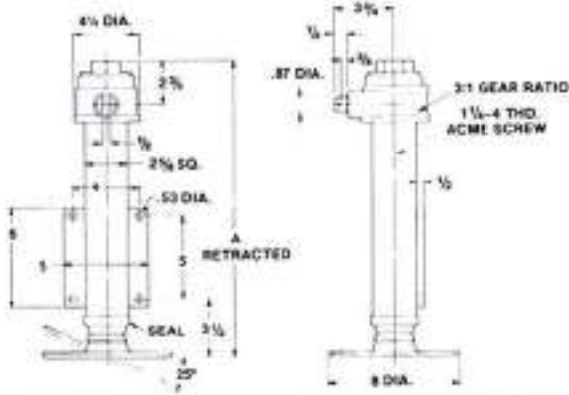
7,500 lbs. capacity - rigid mount

Part Number	Stroke	A	Side Load Lb.	WGT.
31030-6 L or R	6	18	1100	45
31030-12 L or R	12	24	600	52
31030-18 L or R	18	30	400	59

Note: *Maximum static side load to yield. combined with maximum operating load. Unit must be securely fixed at mounting point of jack side plate to frame member.

Basic Data:

- 14.6 revs. input for 1 inch of stroke.
- 7,500 lb. maximum operating load, compression.
- 22,000 lb. maximum static compression to yield.
- Approx. 285 inch lb. torque input at maximum operating load.
- Specify crank: 8 inches. Part No. 10582-K or 12 inch, Part No. 10582-M.



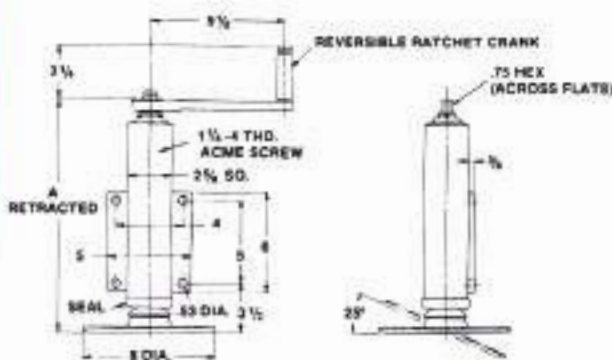
5,000 lbs. capacity - rigid mount

Part Number	Stroke	A	Side Load Lb.	WGT.
31040-6 L or R	6	18	1100	35
31040-12 L or R	12	24	600	42
31040-18 L or R	18	30	400	49

Note: *Maximum static side load to yield. combined with maximum operating load. Unit must be securely fixed at mounting point of jack side plate to frame member.

Basic Data:

- 12 revs. input for 1 inch of stroke.
- 5,000 lb. maximum operating load, compression.
- 15,000 lb. maximum static compression to yield.
- Approx. 235 inch lb. torque input at maximum operating load.
- Specify crank: 8 inches. Part No. 14168-4.



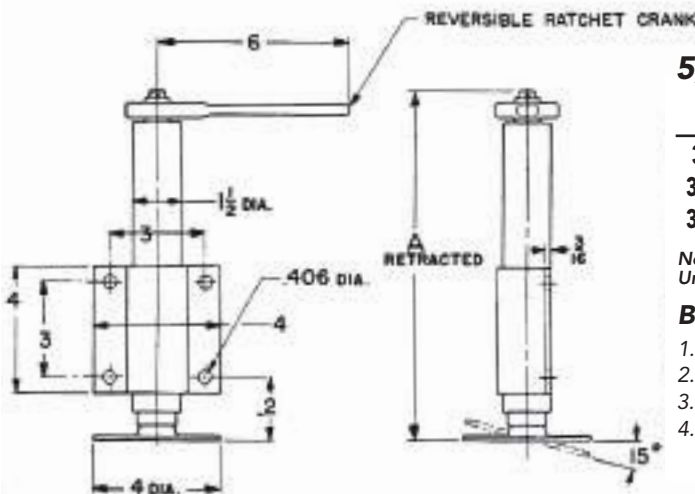
1,800 lbs. capacity - rigid mount

Part Number	Stroke	A	Side Load Lb.	WGT.
31050-6 L or R	6	16	1200	18
31050-12 L or R	12	22	700	25
31050-18 L or R	18	28	500	32

Note: *Maximum static side load to yield. combined with maximum operating load. Unit must be securely fixed at mounting point of jack side plate to frame member.

Basic Data:

- 4 revs. input for 1 inch of stroke.
- 1,800 lb. maximum operating load, compression.
- 4,500 lb. maximum static compression to yield.
- Approx. 240 inch lb. torque input at maximum operating load.
- Furnished with 8 inch crank as shown.



5,000 lbs. capacity - rigid mount

Part Number	Stroke	A	Side Load Lb.	WGT.
31060-6 L or R	3	10	800	5
31060-12 L or R	6	13	450	7
31060-18 L or R	6	16	300	9

Note: *Maximum static side load to yield. combined with maximum operating load. Unit must be securely fixed at mounting point of jack side plate to frame member.

Basic Data:

- 6 revs. input for 1 inch of stroke.
- 500 lb. maximum operating load, compression.
- 4,000 lb. maximum static compression to yield.
- Approx. 80 inch lb. torque input at maximum operating load.

Glossary of terms

Actuation

A method of applying torque to the input shaft of a jack assembly.

Caster Jack

The combination of a jack assembly with a rigid plate on the bottom of the inner tube assembly being mated with a caster assembly.

Caster Offset

The horizontal distance between the vertical center lines of the kingpin and axle.

Extended Height

The overall length of a jack assembly at full extension. This dimension is from the center line of a trunnion hole on a stowable type jack, or the top of the gear housing cap on a rigid jack, to the bottom of the footpad or caster.

Finish

All jacks are treated with protective phosphate to Mil-P-16232 and are prime painted with red oxide per Mil-TT-P-636.

Footpad

The lower portion of a jack assembly which makes contact with the ground.

Handle Pull

The calculated force required to turn the crank handle while elevating the load.

Lifting Capacity

The load to be elevated or lowered by each jack.

Lubrication

All jacks are factory lubricated with Mil-G-10924 high-low temperature grease -65° to 175° fahrenheit.

Non-Offset Caster

The vertical center line of the jack passes through the center line of the axle.

Retracted Height

The overall length of a jack assembly at full retraction. This dimension is from the center line of a trunnion hole on a stowable type jack, or the top of the gear housing cap on a rigid jack, to the bottom of the footpad or caster.

Rigid Caster

A complete non-swiveling caster with wheel mounted.

Rigid Mounting

The incorporation of a plate welded or bolted to the outer tube assembly of a jack. When this unit is attached to the load member, a rigid connection is obtained to enable a load to be elevated.

Side Load

The maximum static load to be imposed on each jack laterally.

Stowable Mounting

Connection of a jack to the load member through the use of a trunnion and stay bar assembly, which will allow the jack to be tilted or stored in the horizontal position when not in use.

Swivel Caster

A complete caster with wheel mounted so that it will turn freely throughout 360° about its swivel bearing assembly and kingpin.

Swivel Lock

A positive 4- position plunger type lock-out device used to prevent a swivel caster from swiveling when a lateral load is applied.

Torque Input

The amount of force calculated in inch-pounds required to turn the input shaft while elevating the load.

Vertical Load

The maximum static load to be imposed on each jack vertically.

Wheel Brake

A manually actuated brake device used to prevent the caster wheel from revolving when a side load is applied.