

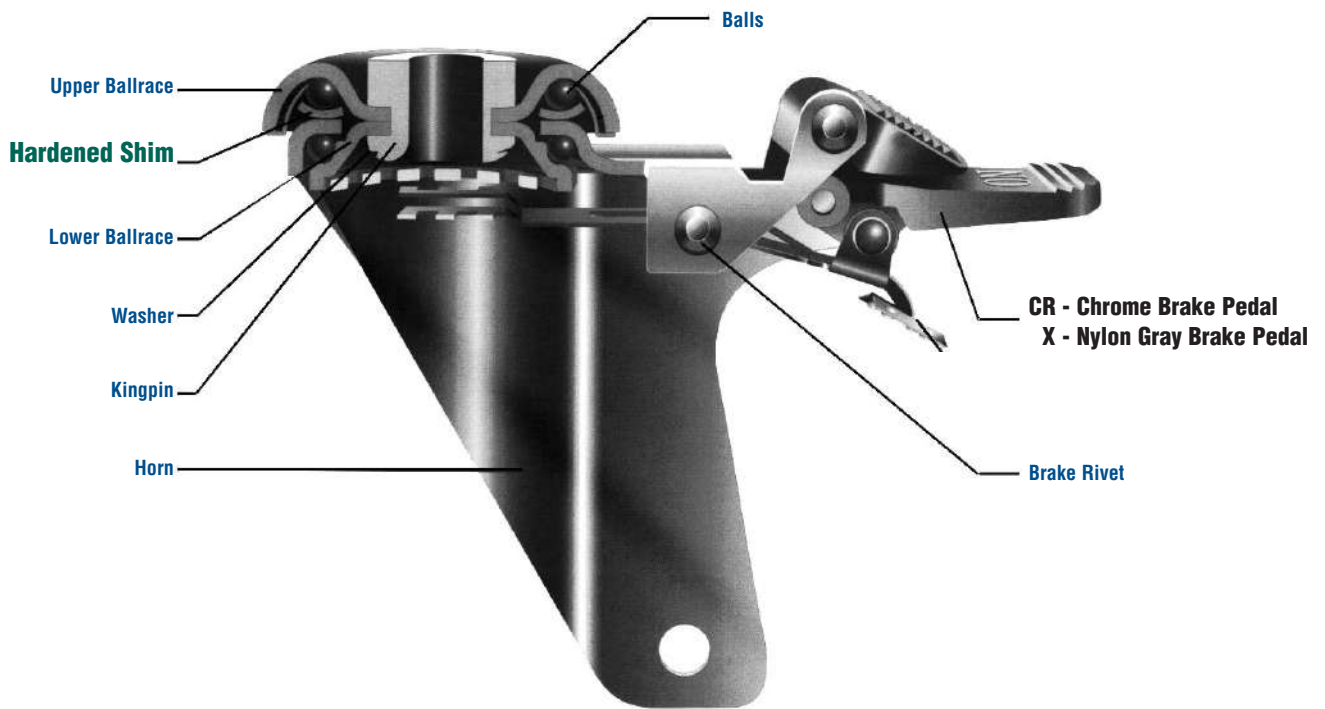
Caster Type	Page
2C Polished Chrome Casters	31-39
2CSS Polished Stainless Steel Casters	40-45
2C Polished Chrome Plate Casters	46-50
2J Plate & Stem Casters.....	51-56
2DSA Shock Absorbing Caster.....	57

Applications:
*Institutional, Office, Electronics,
Medical/Pharmaceuticals,
Display Stands, Food Services
& Ergonomic Carts*

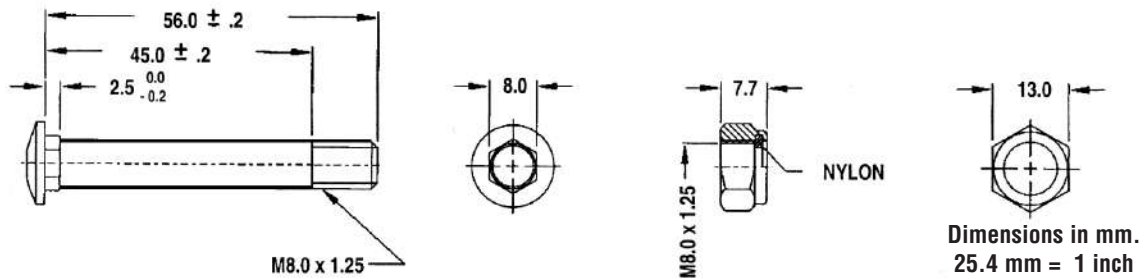
Best Value 2C Polished Chrome Institutional Casters for Every Application

- Food Service
 - Hotel & Catering Equipment
 - Kitchen Equipment
 - Movable Hi-tech Products
 - Institutional Equipment
- Pharmaceutical
 - Animal Cages
 - AALAS
 - Apparatus
 - Instrument Equipment Carts
- Hospital
 - Medical Equipment
 - Laboratories
 - Clean Room
 - Plastic Utility Carts

POLISHED CHROME - Hardened Shim with Sealed Swivel Yoke.



AXLE & NUT STANDARD STEEL



**FOR ALL CASTERS & WHEELS AVAILABLE IN THIS CATEGORY
GO TO ACORN WEBSITE UNDER **CATIS DOWNLOAD**.**

2

2C SERIES POLISHED CHROME TOP PLATE OPTIONS



Swivel Caster



Rigid Caster



Swivel Caster with Total Lock
Available with
nylon gray brake pedal

FEATURES

Load Capacity

Up to 300 lbs.

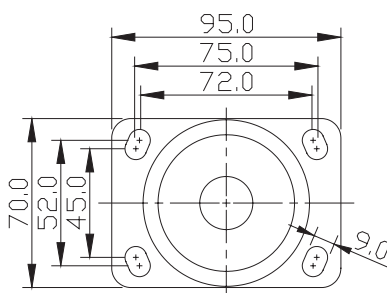
- Polished chrome, Pressed Steel Housing
- Pressed Steel Double Ball Race with Hardened Main Ball Raceway Shim and Hardened Steel Balls functions as Kingpinless construction to give longer life
- Metal Brake Pedal
- No Rust

SWIVEL RIG OPTIONS

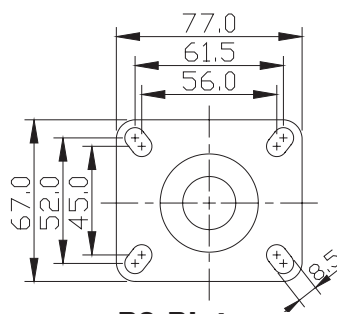
- TLB** Total Lock Brake
- STG** Steel Thread Guards
- H3** Hole Casters (Swivel, Rigid or Total Lock)
- DL** Directional Lock
- X*** Nylon Gray Brake Pedal

***NYLON PEDAL: Y380XP1CR/KR3**

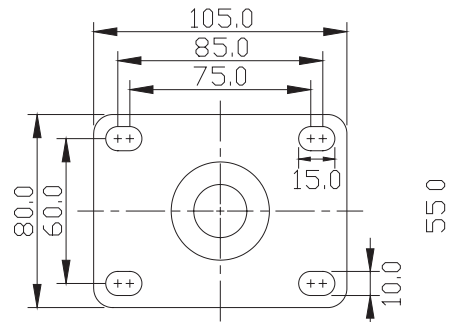
SWIVEL TOP PLATES (Dimensions are in mm. 25.4mm = 1in)



P1 Plate Standard

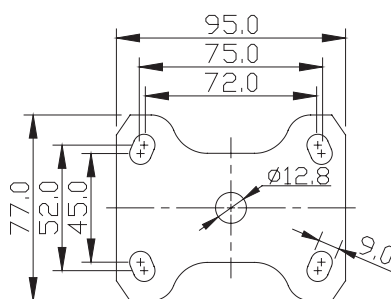


P2 Plate

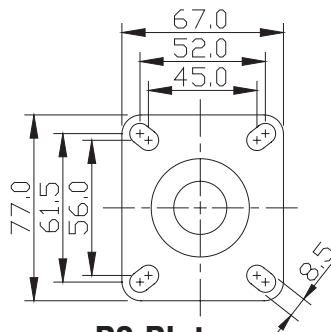


P3 Plate

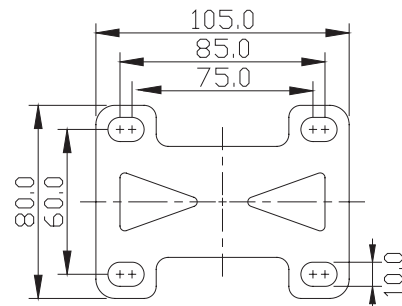
RIGID TOP PLATES (Dimensions are in mm. 25.4mm = 1in)



P1 Plate Standard



P2 Plate



P3 Plate

2C CASTERS NOW AVAILABLE IN US TOP PLATE P51
SEE PAGE 46

SPECIFY TOP PLATE WITH P1, P2, P3 OR P51.
EXAMPLE: Y380**P1**CR/KR3

GRIP RING STEM OPTIONS GR

Stem Code	Stem Dimensions
GR1	3/4" diameter x 2-3/16" long
GR2	13/16" diameter x 2-3/16" long
GR3	.845" diameter x 2-3/16" long
GR4	.865" diameter x 2-3/16" long
GR5	1" diameter x 2-3/16" long
GR6	.860" square x 2-3/16" long

THREADED STEM OPTIONS TS

Stem Code	Stem Dimensions
TS1	1/2"-13 x 3/4" long
TS2	1/2"-13 x 1" long
TS3	1/2"-13 x 1-1/2" long
TS4	1/2"-20 x 3/4" long
TS5	1/2"-20 x 2-1/4" long
TS6	5/8"-11 x 1-1/4" long
TS7	5/8"-18 x 1-3/4" long
TS8	3/4"-10 x 1" long

PIPE THREAD STEM OPTIONS PS

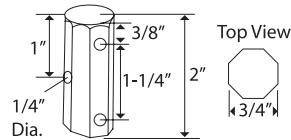
Stem Code	Stem Dimensions
PS1	1/2" Pipe Thread (3/4" actual stem dia.)
PS2	3/4" Pipe Thread (1" actual stem dia.)
PS3	1" Pipe Thread (1-1/4" actual stem dia.)
PS4	1-1/4" Pipe Thread (1-1/2" actual stem dia.)

**OTHER SPECIAL STEMS AVAILABLE,
STANDARD OR STAINLESS STEEL.**

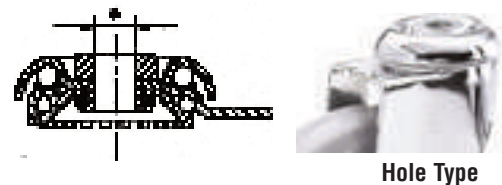
EXPANDING ADAPTER STEMS ES

Adapter #	Tubing ID	Adapter #	Tubing ID
ES9	3/4"	ES17B	1-3/16"
ES11	7/8"	ES19C	1-3/8"
ES13	1"	ES19A	1-1/2"
ES15	1-1/8"	ES21	1-7/8"

Rubber bushing expands inside of tubing as 3/4" nut beneath lower raceway is turned with wrench. Plastic bushing on bottom of stem provides stability for stem inside of tubing for tight, permanent fit. Threaded stem size (less adapter): 1/2" dia. x 2-3/4" long. To order, add adapter number to end of model #.

**2-PZC OCTAGON STEM OC****Standard Octagon Stem Size: OC**

3/4" octagon 2" long with 3 cross-drilled mounting holes.

**2-PZC HOLLOW KINGPIN H3****Mounting Options: H3**

Diameter: 12.8 mm.

Bolt Size: 1/2"

SPECIFY ALL OPTIONS IN THE SUFFIX OF THE PART NUMBER.

**EXAMPLE: TS1 AT THE END
OF THE CASTER NUMBER.**

**KR
WHEELS****KRYPTONIC™ WHEELS**

- Polyether Polyurethane has excellent carrying capacity.
- Straight sided slight crown shape affords an easy-rolling quiet operation.
- Greater service life and resistance to chunking, cutting and abrasive wear.

- 100% washable, steam cleanable, and resistant to most chemicals.
- Non-marking tread.
- Durometer: 58 Shore D (+/-5).
- Stainless Steel Precision Ball Bearings.
- Temperature Range: + 250°F for up to a 1/2 hour.
- **Available in 5" hi-temp gray + 250°F for 5 to 6 hrs. add: "G" after "KR". Example: Y582P1CR/KRG5**



Part Number Swivel with Total Lock	Part Number Swivel Caster	Part Number Rigid Caster	Wheel Diameter (inch)	Tread Width (inch)	Load Capacity (lbs)	Overall Height (mm)	Swivel Radius (mm)
Y380P1CR/KR3	Y381P1CR/KR3	Y382P1CR/KR3	3	1-1/4	300	107	33
Y480P1CR/KR4	Y481P1CR/KR4	Y482P1CR/KR4	4	1-1/4	300	135	40.5
Y580P1CR/KR5	Y581P1CR/KR5	Y582P1CR/KR5	5	1-1/4	300	161	39

**ANR
WHEELS****ADVANCED RED RUBBER**

- 80 (+5) Shore (A).
- Unique soft tread wheel handles the heat for autoclave applications.
- Roll quiet and smooth ride.

- Recommended for use in hospitals, laboratories and cleanrooms.
- Corrosion resistant thermoplastics.
- Resilient tread material rejects floor debris.
- Stainless Steel Precision Ball Bearings.
- Temp Range: -190°F to +300°F.



Part Number Swivel with Total Lock	Part Number Swivel Caster	Part Number Rigid Caster	Wheel Diameter (inch)	Tread Width (inch)	Load Capacity (lbs)	Overall Height (mm)	Swivel Radius (mm)
Y480P1CR/ANR4	Y481P1CR/ANR4	Y482P1CR/ANR4	4	1-1/4	175	135	40.5
Y580P1CR/ANR5	Y581P1CR/ANR5	Y582P1CR/ANR5	5	1-1/4	220	161	39
Y680P1CR/ANR6	Y681P1CR/ANR6	Y682P1CR/ANR6	6	1-1/4	245	167	45

**NY/MC
WHEELS****NYLACRON™**

- Precision Machined from cast polyamide hardness 112-120 Rockwell R.
- Ultimate choice for extremely high load applications to replace metallic wheels.
- Offer very high abrasion resistance and very low rolling resistance under extreme loads.

- Resistant to salt, grease, alcohol and mild acids - can be used in corrosive applications with appropriate bearings.
- Precision Ball Bearings.
- Temperature Range: -40°F to +270°F.
- **Available in black MY/MD.**



Part Number Swivel with Total Lock	Part Number Directional Lock	Part Number Swivel Caster	Wheel Diameter (inch)	Tread Width (inch)	Load Capacity (lbs)	Overall Height (mm)	Swivel Radius (mm)
Y380P1CR/NYMC	Y381P1CR/NYMC	Y382P1CR/NYMC	3	1-1/4	220	107	33
Y480P1CR/NYMC	Y481P1CR/NYMC	Y482P1CR/NYMC	4	1-1/4	220	135	40.5
Y580P1CR/NYMC	Y581P1CR/NYMC	Y582P1CR/NYMC	5	1-1/4	220	161	39

**TPR
WHEELS****THERMOPLASTIC GRAY TREAD
RUBBER PLASTIC HUB.**

- 70 (+/-5) Durometer Shore (A).
- Recommended for clean environments.

- Resists most solvents, oil, grease, and water.
- Non-marking.
- Smooth rolling and quiet.
- Precision Ball Bearings.
- Temp Range: -45°F to +180°F.



Part Number Swivel with Total Lock	Part Number Swivel Caster	Part Number Rigid Caster	Wheel Diameter (inch)	Tread Width (inch)	Load Capacity (lbs)	Overall Height (mm)	Swivel Radius (mm)
Y380P1CR/W312	Y381P1CR/W312	Y382P1CR/W312	3	1-1/4	130	107	33
Y480P1CR/W412	Y481P1CR/W412	Y482P1CR/W412	4	1-1/4	175	135	40.5
Y580P1CR/W512	Y581P1CR/W512	Y582P1CR/W512	5	1-1/4	220	161	39

**PRB
WHEELS****ELASTIC RUBBER**

- Plastic hub material.
- Plastic 3" & Steel 4" & 5" thread guards.
- Gray color elastic rubber tire material.

- Precision Ball Bearings.
- Short-term temperature range: -40°/80°C.



Part Number Swivel with Total Lock	Part Number Swivel Caster	Part Number Rigid Caster	Wheel Diameter (inch)	Tread Width (inch)	Load Capacity (lbs)	Overall Height (mm)
Y380P1CR/W324	Y381P1CR/W324	Y382P1CR/W324	3	1-1/4	110	107
Y480P1CR/W424	Y481P1CR/W424	Y482P1CR/W424	4	1-1/4	175	135
Y580P1CR/W524	Y581P1CR/W524	Y582P1CR/W524	5	1-1/4	220	161
Y680P1CR/W624	Y681P1CR/W624	Y682P1CR/W624	6	1-1/4	220	190

**SRB
WHEELS****ELASTIC RUBBER**

- Pressed steel hub material.
- Steel thread guards.
- Gray color elastic rubber tire material.

- Precision Ball Bearings.
- Short-term temperature range: -40°/80°C.



Part Number Swivel with Total Lock	Part Number Swivel Caster	Part Number Rigid Caster	Wheel Diameter (inch)	Tread Width (inch)	Load Capacity (lbs)	Overall Height (mm)
Y480P1CR/W423	Y481P1CR/W423	Y482P1CR/W423	4	1-1/4	175	135
Y580P1CR/W523	Y581P1CR/W523	Y582P1CR/W523	5	1-1/4	220	161
Y680P1CR/W623	Y681P1CR/W623	Y682P1CR/W623	6	1-1/4	220	190

**PM
WHEELS****NYLACRON™**

- Steel thread guards.
- White color.

- Roller Bearings.
- Short-term temperature range: -30°/+120°C.



Part Number Swivel with Total Lock	Part Number Swivel Caster	Part Number Rigid Caster	Wheel Diameter (inch)	Tread Width (inch)	Load Capacity (lbs)	Overall Height (mm)
Y380P1CR/W309RX	Y381P1CR/W309RX	Y382P1CR/W309RX	3	1-1/4	110	107
Y480P1CR/W409RX	Y481P1CR/W409RX	Y482P1CR/W409RX	4	1-1/4	175	135
Y580P1CR/W509RX	Y581P1CR/W509RX	Y582P1CR/W509RX	5	1-1/4	220	161

2

2C POLISHED CHROME FINISH PLATE CASTERS

TPR/AS WHEELS

ANTI-STATIC PLASTIC HUB, GRAY COLOR CONDUCTIVE THERMOPLASTIC RUBBER TREAD

- 70 (+/-5) Durometer Shore (A).
- Anti-static plastic hub.
- Non-marking.
- Easy rolling, impact resistant and shock absorbing.
- Precision Ball Bearings.
- Temp Range: -40°F to +120°F.



Part Number Swivel with Total Lock	Part Number Swivel Caster	Part Number Rigid Caster	Wheel Diameter (inch)	Tread Width (inch)	Load Capacity (lbs)	Overall Height (mm)	Swivel Radius (mm)
Y480P1CR/W403AS	Y481P1CR/W403AS	Y482P1CR/W403AS	4	1-1/4	175	135	40.5
Y580P1CR/W503AS	Y581P1CR/W503AS	Y582P1CR/W503AS	5	1-1/4	220	161	39
Y680P1CR/W603UAS	Y681P1CR/W603UAS	Y682P1CR/W603UAS	6	1-1/4	240	190	50

TPU WHEELS

PLASTIC HUB, GRAY COLOR POLYURETANE TREAD

- 95 (+/-5) Durometer Shore (A).
- Plastic hub.
- Non-marking.
- High impact and abrasion resistant.
- Precision Ball Bearings.
- Temp Range: -40°F to +180°F.



Part Number Swivel with Total Lock	Part Number Swivel Caster	Part Number Rigid Caster	Wheel Diameter (inch)	Tread Width (inch)	Load Capacity (lbs)	Overall Height (mm)	Swivel Radius (mm)
Y380P1CR/W300	Y381P1CR/W300	Y382P1CR/W300	3	1-1/4	110	107	40.5
Y480P1CR/W400	Y481P1CR/W400	Y482P1CR/W400	4	1-1/4	175	135	39
Y580P1CR/W500	Y581P1CR/W500	Y582P1CR/W500	5	1-1/4	220	161	45

*steel tread guard

P1, P2, P3 for Swivel Plate Sizes
TL for Total Lock to Swivel Caster

P4, P5, or P6 for Rigid Plate Sizes
DL for Directional Lock

All wheels with precision ball bearings
H3 for Hole Caster

NOTE: All load ratings are for manual operation.

OTHER TYPE 1 1/4" WHEELS AVAILABLE FOR THIS SERIES.

NYLACRON™ MD (NY/MD), NYLACRON™ MONOCAST (NY/MC), SOLID NYLON (PM), HIGH TEMP WHEELS AVAILABLE. SEE WHEEL SECTION.

**KR
WHEELS****KRYPTONIC™ WHEELS**

- Polyether Polyurethane has excellent carrying capacity.
- Straight sided slight crown shape affords an easy-rolling quiet operation.
- Greater service life and resistance to chunking, cutting and abrasive wear.

- 100% washable, steam cleanable, and resistant to most chemicals.
- Non-marking tread.
- Durometer: 58 Shore D (+/-5).
- Stainless Steel Precision Ball Bearings.
- Temperature Range: + 250°F for up to a 1/2 hour.
- Available in 5" hi-temp gray + 250°F for 5 to 6 hrs. add: "G" after "KR". Example: Y582P1CR/KRG5



Part Number Swivel with Total Lock	Part Number Swivel Caster	Wheel Diameter (inch)	Tread Width (inch)	Load Capacity (lbs)	Overall Height (mm)	Swivel Radius (mm)
Y380P1H3CR/KR3	Y381P1H3CR/KR3	3	1-1/4	300	107	33
Y480P1H3CR/KR4	Y481P1H3CR/KR3	4	1-1/4	300	135	40.5
Y580P1H3CR/KR5	Y581P1H3CR/KR3	5	1-1/4	300	161	39

**ANR
WHEELS****ADVANCED RED RUBBER**

- 80 (+/-5) Shore (A).
- Unique soft tread wheel handles the heat for autoclave applications.
- Roll quiet and smooth ride.

- Recommended for use in hospitals, laboratories and cleanrooms.
- Corrosion resistant thermoplastics.
- Resilient tread material rejects floor debris.
- Stainless Steel Precision Ball Bearings.
- Temp Range: -190°F to +300°F.



Part Number Swivel with Total Lock	Part Number Swivel Caster	Wheel Diameter (inch)	Tread Width (inch)	Load Capacity (lbs)	Overall Height (mm)	Swivel Radius (mm)
Y480P1H3CR/ANR4	Y481P1H3CR/ANR4	4	1-1/4	175	135	40.5
Y580P1H3CR/ANR5	Y481P1H3CR/ANR5	5	1-1/4	220	161	39
Y680P1H3CR/ANR6	Y481P1H3CR/ANR6	6	1-1/4	245	167	45

**RT
WHEELS****RETORT**

- 75 Durometer Shore (D).
- Designed to withstand the rigors of high temperature.

- Oversized bore ID ensures smooth movement.
- Moderate crown/White finish.
- Precision Ball Bearings.
- Temp Range: -20°F to +290°F.



Part Number Swivel with Total Lock	Part Number Swivel Caster	Wheel Diameter (inch)	Tread Width (inch)	Load Capacity (lbs)	Overall Height (mm)	Swivel Radius (mm)
Y380P1H3CR/RT3H3	Y381P1H3CR/RT3H3	3	1-1/4	130	107	33
Y480P1H3CR/RT4H3	Y481P1H3CR/RT4H3	4	1-1/4	175	135	40.5
Y580P1H3CR/RT5H3	Y581P1H3CR/RT5H3	5	1-1/4	220	161	39

**TPR
WHEELS****THERMOPLASTIC GRAY TREAD RUBBER PLASTIC HUB.**

- 70 (+/-5) Durometer Shore (A).
- Recommended for clean environments.
- Resists most solvents, oil, grease, and water.

- Non-marking.
- Smooth rolling and quiet.
- Precision Ball Bearings.
- Temp Range: -45°F to +180°F.



Part Number Swivel with Total Lock	Part Number Swivel Caster	Wheel Diameter (inch)	Tread Width (inch)	Load Capacity (lbs)	Overall Height (mm)	Swivel Radius (mm)
Y380P1H3CR/W312	Y381P1H3CR/W312	3	1-1/4	130	107	33
Y480P1H3CR/W412	Y481P1H3CR/W412	4	1-1/4	175	135	40.5
Y580P1H3CR/W512	Y581P1H3CR/W512	5	1-1/4	220	161	39

2

2C POLISHED CHROME FINISH H3 HOLE CASTERS

PRB WHEELS

ELASTIC RUBBER

- Plastic hub material.
- Plastic 3" & Steel 4" & 5" thread guards.
- Gray color elastic rubber tire material.
- Precision Ball Bearings.
- Short-term temperature range: -40°/80°C.



Part Number Swivel with Total Lock	Part Number Swivel Caster	Wheel Diameter (inch)	Tread Width (inch)	Load Capacity (lbs)	Overall Height (mm)
Y380P1H3CR/W324	Y381P1H3CR/W324	3	1-1/4	110	107
Y480P1H3CR/W424	Y481P1H3CR/W424	4	1-1/4	175	135
Y580P1H3CR/W524	Y581P1H3CR/W524	5	1-1/4	220	161

SRB WHEELS

ELASTIC RUBBER

- Pressed steel hub material.
- Steel thread guards.
- Gray color elastic rubber tire material.
- Precision Ball Bearings.
- Short-term temperature range: -40°/80°C.



Part Number Swivel with Total Lock	Part Number Swivel Caster	Wheel Diameter (inch)	Tread Width (inch)	Load Capacity (lbs)	Overall Height (mm)
Y480P1H3CR/W423	Y481P1H3CR/W423	4	1-1/4	175	135
Y580P1H3CR/W523	Y581P1H3CR/W523	5	1-1/4	220	161
Y680P1H3CR/W623	Y681P1H3CR/W623	6	1-1/4	220	190

PM WHEELS

NYLACRON™

- Steel thread guards.
- White color.
- Roller Bearings.
- Short-term temperature range: -30°/+120°C.
- Available in black MY/MD.



Part Number Swivel with Total Lock	Part Number Swivel Caster	Wheel Diameter (inch)	Tread Width (inch)	Load Capacity (lbs)	Overall Height (mm)
Y380P1H3CR/W309RX	Y381P1H3CR/W309RX	3	1-1/4	110	107
Y480P1H3CR/W409RX	Y481P1H3CR/W409RX	4	1-1/4	175	135
Y580P1H3CR/W509RX	Y581P1H3CR/W509RX	5	1-1/4	220	161

TPR/AS
WHEELS

ANTI-STATIC PLASTIC HUB,
GRAY COLOR CONDUCTIVE THERMOPLASTIC
RUBBER TREAD

- 70 (+/-5) Durometer Shore (A).
- Anti-static plastic hub.

- Non-marking.
- Easy rolling, impact resistant and shock absorbing.
- Precision Ball Bearings.
- Temp Range: -40°F to +120°F.



Part Number Swivel with Total Lock	Part Number Swivel Caster	Wheel Diameter (inch)	Tread Width (inch)	Load Capacity (lbs)	Overall Height (mm)	Swivel Radius (mm)
Y480P1H3CR/W403AS	Y481P1H3CR/W403AS	4	1-1/4	175	135	40.5
Y580P1H3CR/W503AS	Y581P1H3CR/W503AS	5	1-1/4	220	161	39
Y680P1H3CR/W603UAS	Y681P1H3CR/W603UAS	6	1-1/4	240	189.5	50

TPU
WHEELS

PLASTIC HUB, GRAY COLOR
POLYURETANE TREAD

- 95 (+/-5) Durometer Shore (A).
- Plastic hub.

- Non-marking.
- High impact and abrasion resistant.
- Temp Range: -40°F to +180°F.



Part Number Swivel with Total Lock	Part Number Swivel Caster	Wheel Diameter (inch)	Tread Width (inch)	Load Capacity (lbs)	Overall Height (mm)	Swivel Radius (mm)
Y380P1H3CR/W300	Y381P1H3CR/W300	3	1-1/4	110	107	40.5
Y480P1H3CR/W400	Y481P1H3CR/W400	4	1-1/4	175	135	39
Y580P1H3CR/W500	Y581P1H3CR/W500	5	1-1/4	220	161	45

*steel tread guard

*P1, P2, P3 for Swivel Plate Sizes

P4, P5, or P6 for Rigid Plate Sizes

All wheels with precision ball bearings

**TL for Total Lock to Swivel Caster

DL for Directional Lock

H3 for Hole Caster

NOTE: All load ratings are for manual operation.

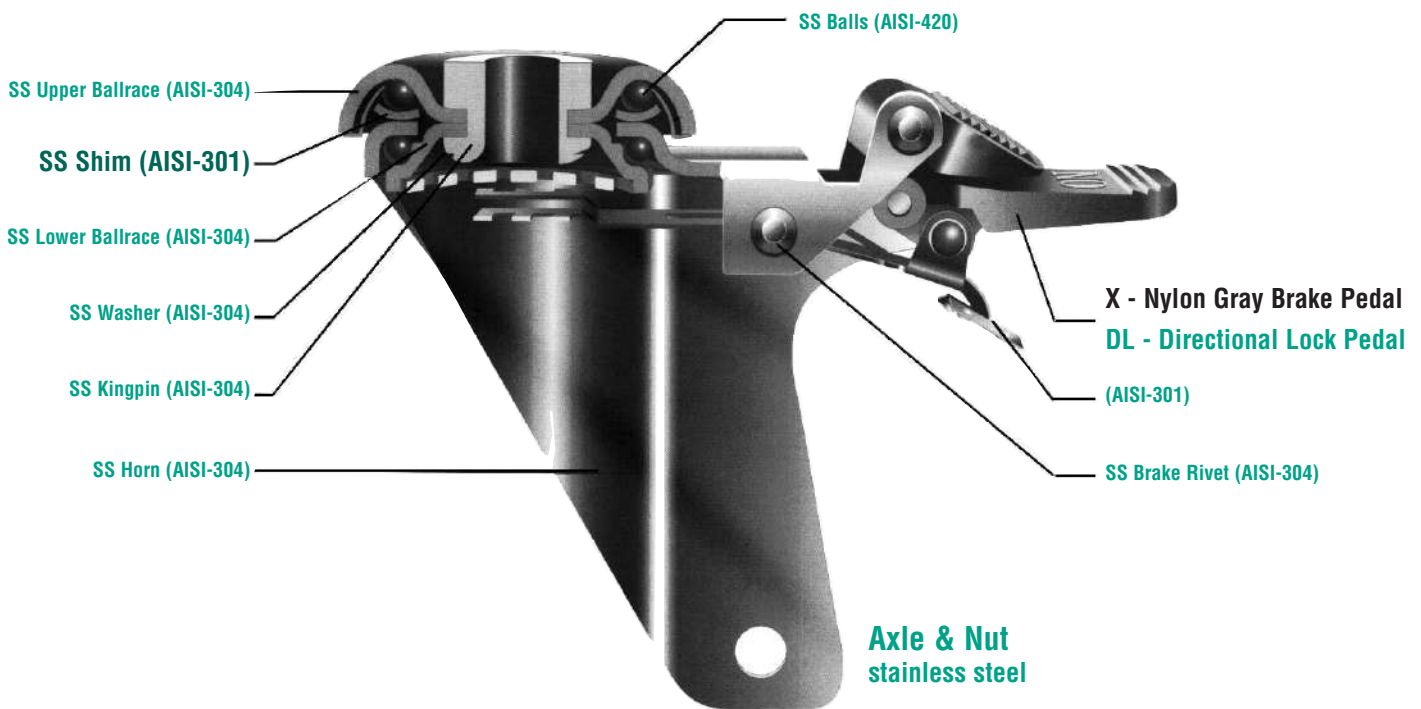
OTHER TYPE 1 1/4" WHEELS AVAILABLE FOR THIS SERIES: IE, ELASTIC RUBBER: WHITE NYLON

NYLACRON™ MD (NY/MD), NYLACRON™ MONOCAST (NY/MC), HIGH TEMP WHEELS AVAILABLE. SEE WHEEL SECTION.

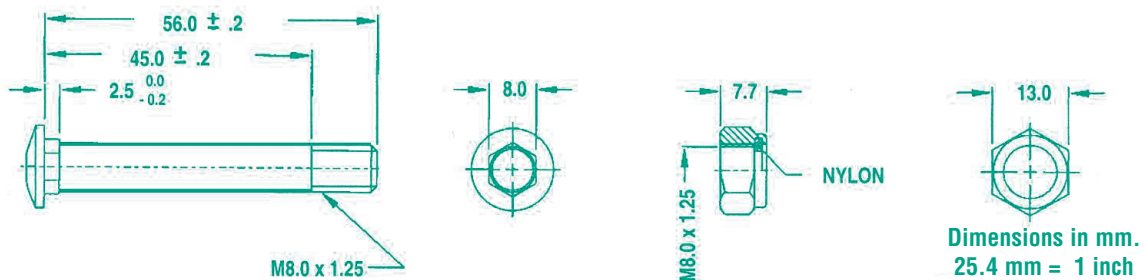
Best Value 2CSS Stainless Steel Institutional Casters for Every Application

- Food Service
 - Hotel & Catering Equipment
 - Kitchen Equipment
 - Movable Hi-tech Products
 - Institutional Equipment
- Pharmaceutical
 - Animal Cages
 - AALAS
 - Apparatus
 - Instrument Equipment Carts
- Hospital
 - Medical Equipment
 - Laboratories
 - Clean Room
 - Plastic Utility Carts

POLISHED STAINLESS STEEL - Hardened Shim with Sealed Swivel Yoke.



AXLE & NUT STAINLESS STEEL



**KR SS
WHEELS****KRYPTONIC™ WHEELS**

- Polyether Polyurethane has excellent carrying capacity.
- Straight sided slight crown shape affords an easy-rolling quiet operation.
- Greater service life and resistance to chunking, cutting and abrasive wear.
- 100% washable, steam cleanable, and resistant to most chemicals.

- Non-marking tread.
- Durometer: 58 Shore D (+/-5).
- Stainless Steel Precision Ball Bearings.
- Temperature Range: + 250°F for up to a 1/2 hour.
- Available in 5" HI-temp gray + 250°F for 5 to 6 hrs. add: "G" after "KR". Example: Y582P1CR/KRG5
- For Plastic Brake add "X" after the rig number. Example: Y380XP1.



Part Number Swivel with Total Lock	Part Number Swivel Caster	Part Number Rigid Caster	Wheel Diameter (inch)	Tread Width (inch)	Load Capacity (lbs)	Overall Height (mm)	Swivel Radius (mm)
Y380P1SS/KR3	Y381XP1SS/KR3	Y382P1SS/KR3	3	1-1/4	130	107	33
Y480XP1SS/KR4	Y481XP1SS/KR4	Y482P1SS/KR4	4	1-1/4	175	135	40.5
Y580XP1SS/KR5	Y581XP1SS/KR5	Y582P1SS/KR5	5	1-1/4	220	161	39

**ANR SS
WHEELS****ADVANCED RED RUBBER**

- 80 (+/-5) Shore (A).
- Unique soft tread wheel handles the heat for autoclave applications.
- Roll quiet and smooth ride.
- Recommended for use in hospitals, laboratories and cleanrooms.

- Corrosion resistant thermoplastics.
- Resilient tread material rejects floor debris.
- Stainless Steel Precision Ball Bearings.
- Temp Range: -190°F to +300°F.
- For Plastic Brake add "X" after the rig number. Example: Y480XP1.



Part Number Swivel with Total Lock	Part Number Swivel Caster	Part Number Rigid Caster	Wheel Diameter (inch)	Tread Width (inch)	Load Capacity (lbs)	Overall Height (mm)	Swivel Radius (mm)
Y480XP1SS/ANR4	Y481XP1SS/ANR4	Y482P1SS/ANR4	4	1-1/4	175	135	40.5
Y580XP1SS/ANR5	Y581XP1SS/ANR5	Y582P1SS/ANR5	5	1-1/4	220	161	39
Y680XP1SS/ANR6	Y681XP1SS/ANR6	Y682P1SS/ANR6	6	1-1/4	245	167	45

**NY/MC SS
WHEELS****NYLACRON™**

- Precision Machined from cast polyamide hardness 112-120 Rockwell R.
- Ultimate choice for extremely high load applications to replace metallic wheels.
- Offer very high abrasion resistance and very low rolling resistance under extreme loads.

- Resistant to salt, grease, alcohol and mild acids - can be used in corrosive applications with appropriate bearings.
- Stainless Steel Precision Ball Bearings.
- Temperature Range: -40°F to +270°F.
- For Plastic Brake add "X" after the rig number. Example: Y380XP1.
- Available in black MY/MD.



Part Number Swivel with Total Lock	Part Number Directional Lock	Part Number Swivel Caster	Wheel Diameter (inch)	Tread Width (inch)	Load Capacity (lbs)	Overall Height (mm)	Swivel Radius (mm)
Y380XP1SS/NYMC	Y381XP1SS/NYMC	Y382P1SS/NYMC	3	1-1/4	220	107	33
Y480XP1SS/NYMC	Y481XP1SS/NYMC	Y482P1CR/NYMC	4	1-1/4	220	135	40.5
Y580XP1SS/NYMC	Y581XP1SS/NYMC	Y582P1SS/NYMC	5	1-1/4	220	161	39

2

2CSS POLISHED STAINLESS STEEL PLATE CASTERS

PRB SS WHEELS

ELASTIC RUBBER

- Plastic hub material.
- Plastic 3" & Steel 4" & 5" thread guards.
- Gray color elastic rubber tire material.
- Stainless Steel Precision Ball Bearings.
- Short-term temperature range: -40°/80°C.
- For Plastic Brake add "X" after the rig number. Example: Y380XP1.



Part Number Swivel with Total Lock	Part Number Swivel Caster	Part Number Rigid Caster	Wheel Diameter (inch)	Tread Width (inch)	Load Capacity (lbs)	Overall Height (mm)
Y380XP1SS/W324S	Y381XP1SS/W324S	Y382P1SS/W324S	3	1-1/4	110	107
Y480XP1SS/W424DS	Y481XP1SS/W424DS	Y482P1SS/W424DS	4	1-1/4	175	135
Y580XP1SS/W524DS	Y581XP1SS/W524DS	Y582P1SS/W524DS	5	1-1/4	220	161
Y680XP1SS/W624DS	Y681XP1SS/W624DS	Y682P1SS/W624DS	6	1-1/4	220	189.5

TPU SS WHEELS

POLYURETHANE WHEEL

- Anti-corrosion, stainless steel.
- Steel thread guards.
- Gray color.
- Stainless Steel Precision Ball Bearings.
- Short-term temperature range: -20°/80°C.
- For Plastic Brake add "X" after the rig number. Example: Y380XP1.



Part Number Swivel with Total Lock	Part Number Swivel Caster	Part Number Rigid Caster	Wheel Diameter (inch)	Tread Width (inch)	Load Capacity (lbs)	Overall Height (mm)
Y480XP1SS/W400DS	Y481XP1SS/W400DS	Y482P1SS/W400DS	4	1-1/4	175	135
Y580XP1SS/W500DS	Y581XP1SS/W500DS	Y582P1SS/W500DS	5	1-1/4	220	161
Y680XP1SS/W600DS	Y681XP1SS/W600DS	Y682P1SS/W600DS	6	1-1/4	220	190

RT SS WHEELS

RETORT

- 75 Durometer Shore (D).
- Designed to withstand the rigors of high temperature.
- Oversized bore ID ensures smooth movement.
- Moderate crown/White finish.
- Stainless Steel Precision Ball Bearings.
- Temp Range: -20°F to +290°F.
- For Plastic Brake add "X" after the rig number. Example: Y380XP1.



Part Number Swivel with Total Lock	Part Number Swivel Caster	Part Number Rigid Caster	Wheel Diameter (inch)	Tread Width (inch)	Load Capacity (lbs)	Overall Height (mm)	Swivel Radius (mm)
Y380XP1SS/RT3	Y381XP1SS/RT3	Y382P1SS/RT3	3	1-1/4	130	107	33
Y480XP1SS/RT4	Y481XP1SS/RT4	Y482P1SS/RT4	4	1-1/4	175	135	40.5
Y580XP1SS/RT5	Y581XP1SS/RT5	Y582P1SS/RT5	5	1-1/4	220	161	39

TPR SS
WHEELSTHERMOPLASTIC GRAY TREAD
RUBBER PLASTIC HUB WITH
PLASTIC THREAD GUARD

- 70 (+/-5) Durometer Shore (A).
- Recommended for clean environments.
- Resists most solvents, oil, grease, and water.

- Non-marking.
- Smooth rolling and quiet.
- Stainless Steel Precision Ball Bearings.
- Temp Range: -45°F to +180°F.
- For Plastic Brake add "X" after the rig number.
Example: Y480XP1.



Part Number Swivel with Total Lock	Part Number Swivel Caster	Part Number Rigid Caster	Wheel Diameter (inch)	Tread Width (inch)	Load Capacity (lbs)	Overall Height (mm)	Swivel Radius (mm)
Y480XP1SS/W403DSE	Y481XP1SS/W403DSE	Y482P1SS/W403DSE	4	1-1/4	130	107	33
Y580XP1SS/W503DSE	Y581XP1SS/W503DSE	Y582P1SS/W503DSE	5	1-1/4	175	135	40.5
Y480XP1SS/W403DS*	Y481XP1SS/W403DSE*	Y482P1SS/W403DSE*	4	1-1/4	130	107	33
Y580XP1SS/W503DS*	Y581XP1SS/W503DS*	Y582P1SS/W503DS*	5	1-1/4	175	135	40.5

*stainless steel thread guard

HE
WHEELS

HEATEATER

- 85 Durometer Shore (D +5).
- Ideal for specialty applications.
- Nylon Glass-filled wheels won't chip, absorb water, or breakdown in caustic environments.

- Temp Range: Up to 550°F, 475°F intermittent consult Acorn™.
- Stainless Steel Precision Ball Bearings.
- Moderate crown/Black finish.
- For Plastic Brake add "X" after the rig number. Example: Y380XP1.



Part Number Swivel with Total Lock	Part Number Swivel Caster	Part Number Rigid Caster	Wheel Diameter (inch)	Tread Width (inch)	Load Capacity (lbs)	Overall Height (mm)	Swivel Radius (mm)
Y380XP1SS/HE3	Y381XP1SS/HE3	Y382P1SS/HE3	3	1-1/4	110	135	40.5
Y480XP1SS/HE4	Y481XP1SS/HE4	Y482P1SS/HE4	4	1-1/4	175	161	39
Y580XP1SS/HE5	Y581XP1SS/HE5	Y582P1SS/HE5	5	1-1/4	220	167	45

P1, P2, P3 for Swivel Plate Sizes
TL for Total Lock to Swivel Caster

P4, P5, or P6 for Rigid Plate Sizes
DL for Directional Lock

All wheels with precision ball bearings
H3 for Hole Caster

NOTE: All load ratings are for manual operation.

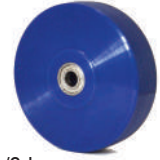
OTHER TYPE 1 1/4" WHEELS AVAILABLE FOR THIS SERIES:

NYLACRON™ MD (NY/MD), NYLACRON™ MONOCAST (NY/MC), SOLID NYLON (PM), HIGH TEMP WHEELS AVAILABLE. SEE WHEEL SECTION.

**KR
WHEELS****KRYPTONIC™ WHEELS**

- Polyether Polyurethane has excellent carrying capacity.
- Straight sided slight crown shape affords an easy-rolling quiet operation.
- Greater service life and resistance to chunking, cutting and abrasive wear.
- 100% washable, steam cleanable, and resistant to most chemicals.

- Non-marking tread.
- Durometer: 58 Shore D (+/-5).
- Stainless Steel Precision Ball Bearings.
- Temperature Range: + 250°F for up to a 1/2 hour.
- **Available in 5" hi-temp gray + 250°F for 5 to 6 hrs. add: "G" after "KR". Example: Y582P1CR/KRG5**
- **For Plastic Brake add "X" after the rig number. Example: Y380XP1.**



Part Number Swivel with Total Lock	Part Number Swivel Caster	Wheel Diameter (inch)	Tread Width (inch)	Load Capacity (lbs)	Overall Height (mm)	Swivel Radius (mm)
Y380P1H3SS/KR3	Y380P1H3SS/KR3	3	1-1/4	300	107	33
Y480P1H3SS/KR4	Y481P1H3SS/KR4	4	1-1/4	300	135	40.5
Y580P1H3SS/KR5	Y581P1H3SS/KR5	5	1-1/4	300	161	39

**ANR
WHEELS****ADVANCED RED RUBBER**

- 80 (+/-5) Shore (A).
- Unique soft tread wheel handles the heat for autoclave applications.
- Roll quiet and smooth ride.
- Recommended for use in hospitals, laboratories and cleanrooms.

- Corrosion resistant thermoplastics.
- Resilient tread material rejects floor debris.
- Stainless Steel Precision Ball Bearings.
- Temp Range: -190°F to +300°F.
- **For Plastic Brake add "X" after the rig number. Example: Y480XP1.**



Part Number Swivel with Total Lock	Part Number Swivel Caster	Wheel Diameter (inch)	Tread Width (inch)	Load Capacity (lbs)	Overall Height (mm)	Swivel Radius (mm)
Y480P1H3SS/ANR4	Y481P1H3SS/ANR4	4	1-1/4	175	135	40.5
Y580P1H3SS/ANR5	Y581P1H3SS/ANR5	5	1-1/4	220	161	39
Y680P1H3SS/ANR6	Y681P1H3SS/ANR6	6	1-1/4	245	167	45

**RT
WHEELS****RETORT**

- 75 Durometer Shore (D).
- Designed to withstand the rigors of high temperature.
- Oversized bore ID ensures smooth movement.

- Moderate crown/white finish.
- Stainless Steel Precision Ball Bearings.
- Temp Range: -20°F to +290°F.
- **For Plastic Brake add "X" after the rig number. Example: Y380XP1.**



Part Number Swivel with Total Lock	Part Number Swivel Caster	Wheel Diameter (inch)	Tread Width (inch)	Load Capacity (lbs)	Overall Height (mm)	Swivel Radius (mm)
Y380P1H3SS/RT3	Y381P1H3SS/RT3	3	1-1/4	130	107	33
Y480P1H3SS/RT4	Y481P1H3SS/RT4	4	1-1/4	175	135	40.5
Y580P1H3SS/RT5	Y581P1H3SS/RT5	5	1-1/4	220	161	39

FOR ALL STEM OPTIONS AVAILABLE IN THIS CATEGORY GO TO PAGE 4.

**PRB
WHEELS****ELASTIC RUBBER**

- Plastic hub material.
- Plastic 3" & Steel 4" & 5" thread guards.
- Gray color elastic rubber tire material.
- Stainless Steel Precision Ball Bearings.
- Short-term temperature range: -40°/80°C.
- For Plastic Brake add "X" after the rig number. Example: Y380XP1.



Part Number Swivel with Total Lock	Part Number Swivel Caster	Wheel Diameter (inch)	Tread Width (inch)	Load Capacity (lbs)	Overall Height (mm)
Y380P1H3SS/W324S	Y381P1H3SS/W324S	3	1-1/4	110	107
Y480P1H3SS/W424DS	Y481P1H3SS/W424DS	4	1-1/4	175	135
Y580P1H3SS/W524DS	Y581P1H3SS/W524DS	5	1-1/4	220	161

**TPR SS
WHEELS****THERMOPLASTIC GRAY TREAD
RUBBER PLASTIC HUB WITH
PLASTIC THREAD GUARD**

- 70 (+/-5) Durometer Shore (A).
- Recommended for clean environments.
- Resists most solvents, oil, grease, and water.
- Non-marking.
- Smooth rolling and quiet.
- Stainless Steel Precision Ball Bearings.
- Temp Range: -45°F to +180°F.
- For Plastic Brake add "X" after the rig number. Example: Y480XP1.



Part Number Swivel with Total Lock	Part Number Swivel Caster	Wheel Diameter (inch)	Tread Width (inch)	Load Capacity (lbs)	Overall Height (mm)	Swivel Radius (mm)
Y480P1H3SS/TPR4	Y481P1H3SS/TPR4	4	1-1/4	130	107	33
Y580P1H3SS/TPR5	Y581P1H3SS/TPR5	5	1-1/4	175	135	40.5
Y480P1H3SS/TPR4*	Y481P1H3SS/TPR4*	4	1-1/4	130	107	33
Y580P1H3SS/TPR5*	Y581P1H3SS/TPR5*	5	1-1/4	175	135	40.5

*stainless steel thread guard

**HE
WHEELS****HEATEATER**

- 85 Durometer Shore (D +5).
- Ideal for specialty applications.
- Nylon Glass-filled wheels won't chip, absorb water, or breakdown in caustic environments.
- Temp Range: Up to 550°F, 475°F intermittent consult Acorn™.
- Stainless Steel Precision Ball Bearings.
- Moderate crown/black finish.
- For Plastic Brake add "X" after the rig number. Example: Y380XP1.



Part Number Swivel with Total Lock	Part Number Swivel Caster	Wheel Diameter (inch)	Tread Width (inch)	Load Capacity (lbs)	Overall Height (mm)	Swivel Radius (mm)
Y380P1H3SS/HE3	Y380P1H3SS/HE3	3	1-1/4	110	135	40.5
Y480P1H3SS/HE4	Y480P1H3SS/HE4	4	1-1/4	175	161	39
Y580P1H3SS/HE5	Y580P1H3SS/HE5	5	1-1/4	220	167	45

P1, P2, P3 for Swivel Plate Sizes

P4, P5, or P6 for Rigid Plate Sizes

All wheels with precision ball bearings

TL for Total Lock to Swivel Caster

DL for Directional Lock

H3 for Hole Caster

NOTE: All load ratings are for manual operation.

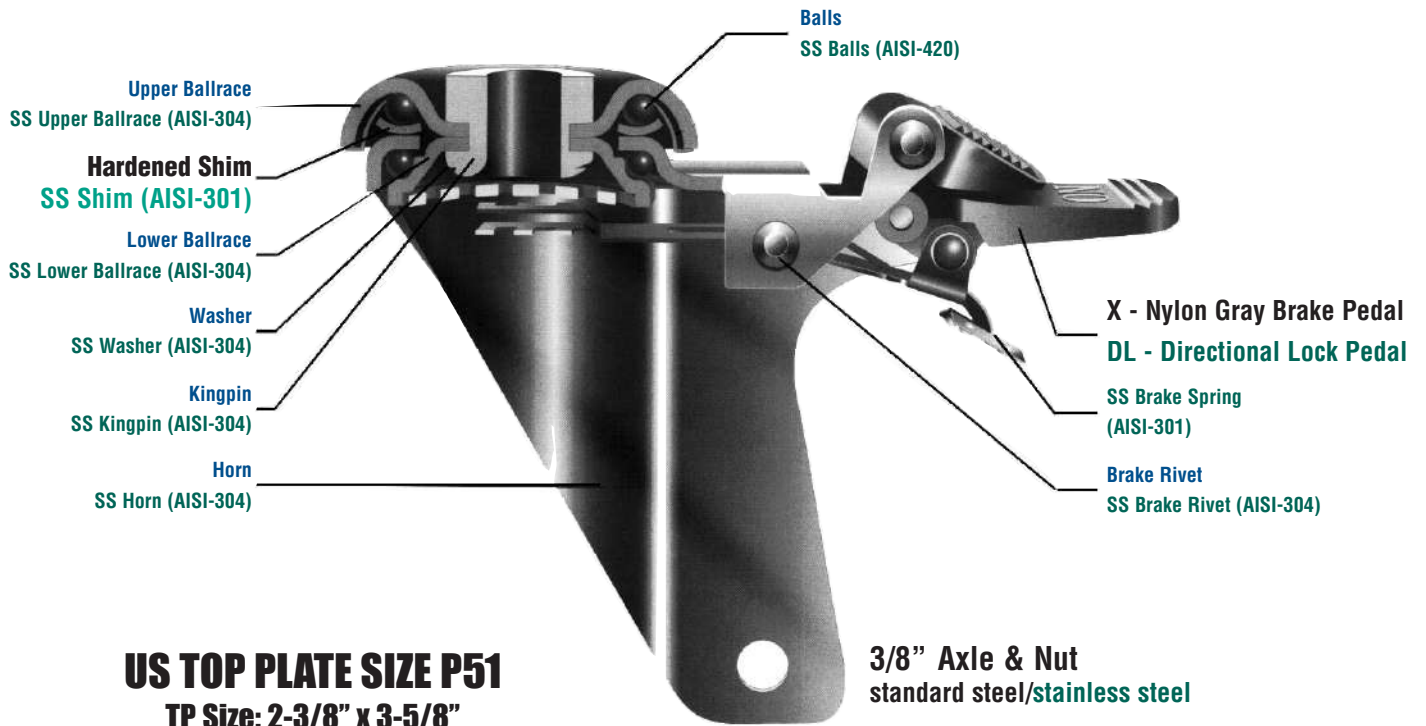
OTHER TYPE 1 1/4" WHEELS AVAILABLE FOR THIS SERIES:

NYLACRON™ MD (NY/MD), NYLACRON™ MONOCAST (NY/MC), SOLID NYLON (PM), HIGH TEMP WHEELS AVAILABLE. SEE WHEEL SECTION.

2C POLISHED CHROME FINISH PLATE CASTERS US TOP PLATE P51

**POLISHED CHROME -
Hardened Shim with Sealed Swivel Yoke.**

**POLISHED STAINLESS STEEL -
Hardened Shim with Sealed Swivel Yoke.**



US TOP PLATE SIZE P51
TP Size: 2-3/8" x 3-5/8"
Bolt Pattern: 1-3/4" x 2-7/8" to 3"
Bolt Diameter: 5/16"

**Swivel Caster
with Total Lock
X Gray Nylon Brake Pedal**



**Directional Lock
Green Nylon Petal**



Swivel Caster



2C POLISHED CHROME FINISH PLATE CASTERS US TOP PLATE P51

KR WHEELS

KRYPTONIC™ WHEELS

- Polyether Polyurethane has excellent carrying capacity.
- Straight sided slight crown shape affords an easy-rolling quiet operation.
- Greater service life and resistance to chunking, cutting and abrasive wear.

- 100% washable, steam cleanable, and resistant to most chemicals.
- Non-marking tread.
- Durometer: 58 Shore D (+/-5).
- Stainless Steel Precision Ball Bearings.
- Temperature Range: + 250°F for up to a 1/2 hour.
- Available in 5" HI-temp gray + 250°F for 5 to 6 hrs. add: "G" after "KR". Example: Y380XP51/KRG5



Part Number Swivel with Total Lock	Part Number Directional Lock	Wheel Diameter (inch)	Tread Width (inch)	Load Capacity (lbs)	Overall Height (mm)	Swivel Radius (mm)
Y380XP51/KR3	Y381XDLP51/KR3	3	1-1/4	300	107	33
Y480XP51/KR4	Y481XDLP51/KR4	4	1-1/4	300	135	40.5
Y580XP51/KR5	Y581XDLP51/KR5	5	1-1/4	300	161	39

ANR WHEELS

ADVANCED RED RUBBER

- 80 (+5) Shore (A).
- Unique soft tread wheel handles the heat for autoclave applications.
- Roll quiet and smooth ride.

- Recommended for use in hospitals, laboratories and cleanrooms.
- Corrosion resistant thermoplastics.
- Resilient tread material rejects floor debris.
- Stainless Steel Precision Ball Bearings.
- Temp Range: -190°F to +300°F.



Part Number Swivel with Total Lock	Part Number Directional Lock	Wheel Diameter (inch)	Tread Width (inch)	Load Capacity (lbs)	Overall Height (mm)	Swivel Radius (mm)
Y480XP51/ANR4	Y481XDLP51/ANR4	4	1-1/4	175	135	40.5
Y580XP51/ANR5	Y581XDLP51/ANR5	5	1-1/4	220	161	39
Y680XP51/ANR6	Y681XDLP51/ANR6	6	1-1/4	245	167	45

RT WHEELS

RETORT

- 75 Durometer Shore (D).
- Designed to withstand the rigors of high temperature.

- Oversized bore ID ensures smooth movement.
- Plain bore.
- Moderate crown/White finish.
- Temp Range: -20°F to +290°F.



Part Number Swivel with Total Lock	Part Number Directional Lock	Wheel Diameter (inch)	Tread Width (inch)	Load Capacity (lbs)	Overall Height (mm)	Swivel Radius (mm)
Y380XP51/RT3	Y381XDLP51/RT3	3	1-1/4	130	107	33
Y480XP51/RT4	Y481XDLP51/RT4	4	1-1/4	175	135	40.5
Y580XP51/RT5	Y581XDLP51/RT5	5	1-1/4	220	161	39

TPR WHEELS

THERMOPLASTIC GRAY TREAD RUBBER PLASTIC HUB.

- 70 (+/-5) Durometer Shore (A).
- Recommended for clean environments.

- Resists most solvents, oil, grease, and water.
- Non-marking.
- Smooth rolling and quiet.
- Precision Ball Bearings.
- Temp Range: -45°F to +180°F.



Part Number Swivel with Total Lock	Part Number Directional Lock	Wheel Diameter (inch)	Tread Width (inch)	Load Capacity (lbs)	Overall Height (mm)	Swivel Radius (mm)
Y380XP51/W324A	Y381XDLP51/W324A	3	1-1/4	130	107	33
Y480XP51/W424A	Y481XDLP51/W424A	4	1-1/4	175	135	40.5
Y580XP51/W524A	Y581XDLP51/W524A	5	1-1/4	220	161	39

2C POLISHED CHROME FINISH PLATE CASTERS US TOP PLATE P51

NY/MC WHEELS

NYLACRON™

- Precision Machined from cast polyamide hardness 112-120 Rockwell R.
- Ultimate choice for extremely high load applications to replace metallic wheels.
- Offer very high abrasion resistance and very low rolling resistance under extreme loads.

- Resistant to salt, grease, alcohol and mild acids - can be used in corrosive applications with appropriate bearings.
- Precision Ball Bearings or Plain Bore.
- Temperature Range: -40°F to +270°F.



Part Number Swivel with Total Lock	Part Number Directional Lock	Wheel Diameter (inch)	Tread Width (inch)	Load Capacity (lbs)	Overall Height (mm)	Swivel Radius (mm)
Y380XP51/NYMC	Y381XDLP51/NYMC	3	1-1/4	220	107	33
Y480XP51/NYMC	Y481XDLP51/NYMC	4	1-1/4	220	135	40.5
Y580XP51/NYMC	Y581XDLP51/NYMC	5	1-1/4	220	161	39

PRB WHEELS

ELASTIC RUBBER

- Plastic hub material.
- Plastic 3" & Steel 4" & 5" thread guards.
- Gray color elastic rubber tire material.

- Precision Ball Bearings.
- Short-term temperature range: -40°/80°C.



Part Number Swivel with Total Lock	Part Number Directional Lock	Wheel Diameter (inch)	Tread Width (inch)	Load Capacity (lbs)	Overall Height (mm)	Swivel Radius (mm)
Y380XP51/324A	Y381XDLP51/324A	3	1-1/4	240	107	33
Y480XP51/424A	Y481XDLP51/424A	4	1-1/4	240	135	40.5L
Y580XP51/524A	Y581XDLP51/524A	5	1-1/4	240	161	39

SRB WHEELS

ELASTIC RUBBER

- Pressed steel hub material.
- Steel thread guards.
- Gray color elastic rubber tire material.

- Precision Ball Bearings.
- Short-term temperature range: -40°/80°C.



Part Number Swivel with Total Lock	Part Number Directional Lock	Wheel Diameter (inch)	Tread Width (inch)	Load Capacity (lbs)	Overall Height (mm)	Swivel Radius (mm)
Y480XP51/423A	Y480XDLP51/423A	4	1-1/4	240	135	40.5
Y580XP51/523A	Y580XDLP51/523A	5	1-1/4	240	161	39
Y680XP51/623A	Y680XDLP51/623A	6	1-1/4	240	167	45

2C POLISHED CHROME FINISH PLATE CASTERS US TOP PLATE P51

TPR/AS WHEELS

ANTI-STATIC PLASTIC HUB,
GRAY COLOR CONDUCTIVE THERMOPLASTIC
RUBBER TREAD

- 70 (+/-5) Durometer Shore (A).
- Anti-static plastic hub.

- Non-marking.
- Easy rolling, impact resistant and shock absorbing.
- Precision Ball Bearings.
- Temp Range: -40°F to +120°F.



Part Number Swivel with Total Lock	Part Number Directional Lock	Wheel Diameter (inch)	Tread Width (inch)	Load Capacity (lbs)	Overall Height (mm)	Swivel Radius (mm)
Y380XP51/300U	Y381XDLP51/300U	3	1-1/4	210	107	33
Y480XP51/400U	Y481XDLP51/400U	4	1-1/4	240	135	40.5
Y580XP51/500U	Y581XDP51/500U	5	1-1/4	240	161	39
Y680XP51/600U	Y681XDLP51/600U	6	1-1/4	240	167	45

TPU WHEELS

PLASTIC HUB, GRAY COLOR
POLYURETANE TREAD

- 95 (+/-5) Durometer Shore (A).
- Plastic hub.

- Non-marking.
- High impact and abrasion resistant.
- Precision Ball Bearings.
- Temp Range: -40°F to +180°F.



Part Number Swivel with Total Lock	Part Number Directional Lock	Wheel Diameter (inch)	Tread Width (inch)	Load Capacity (lbs)	Overall Height (mm)	Swivel Radius (mm)
Y380XP51/W300A	Y381XDLP51/W300A	3	1-1/4	240	107	33
Y480XP51/W400A	Y481XDLP51/W400A	4	1-1/4	240	135	40.5
Y580XP51/W500A	Y581XDLP51/W500A	5	1-1/4	240	161	39

*steel tread guard

2C POLISHED STAINLESS STEEL FINISH PLATE CASTERS US TOP PLATE P51

KR SS WHEELS

KRYPTONIC™ WHEELS

- Polyether Polyurethane has excellent carrying capacity.
- Straight sided slight crown shape affords an easy-rolling quiet operation.
- Greater service life and resistance to chunking, cutting and abrasive wear.

- 100% washable, steam cleanable, and resistant to most chemicals.
- Non-marking tread.
- Durometer: 58 Shore D (+/-5).
- Stainless Steel Precision Ball Bearings.
- Temperature Range: + 250°F for up to a 1/2 hour.
- **Available in 5" HI-temp gray + 250°F for 5 to 6 hrs. add: "G" after "KR". Example: Y582P1CR/KRG5**



Part Number Swivel with Total Lock	Part Number Directional Lock	Wheel Diameter (inch)	Tread Width (inch)	Load Capacity (lbs)	Overall Height (mm)	Swivel Radius (mm)
Y380XP51SS/KR3	Y381XDLP51SS/KR3	3	1-1/4	130	107	33
Y480XP51SS/KR4	Y481XDIP51SS/KR4	4	1-1/4	175	135	40.5
Y580XP51SS/KR5	Y581XDLP51SS/KR5	5	1-1/4	220	161	39

ANR SS WHEELS

ADVANCED RED RUBBER

- 80 (+/-5) Shore (A).
- Unique soft tread wheel handles the heat for autoclave applications.
- Roll quiet and smooth ride.

- Recommended for use in hospitals, laboratories and cleanrooms.
- Corrosion resistant thermoplastics.
- Resilient tread material rejects floor debris.
- Stainless Steel Precision Ball Bearings.
- Temp Range: -190°F to +300°F.



Part Number Swivel with Total Lock	Part Number Directional Lock	Wheel Diameter (inch)	Tread Width (inch)	Load Capacity (lbs)	Overall Height (mm)	Swivel Radius (mm)
Y480XP51SS/ANR4	Y481XDLP51SS/ANR4	4	1-1/4	175	135	40.5
Y580XP51SS/ANR5	Y581XDLP51SS/ANR5	5	1-1/4	220	161	39
Y680XP51SS/ANR6	Y681XDLP51SS/ANR6	6	1-1/4	245	167	45

NY/MC SS WHEELS

NYLACRON™

- Precision Machined from cast polyamide hardness 112-120 Rockwell R.
- Ultimate choice for extremely high load applications to replace metallic wheels.
- Offer very high abrasion resistance and very low rolling resistance under extreme loads.

- Resistant to salt, grease, alcohol and mild acids - can be used in corrosive applications with appropriate bearings.
- Precision Ball Bearings.
- Temperature Range: -40°F to +270°F.



Part Number Swivel with Total Lock	Part Number Directional Lock	Wheel Diameter (inch)	Tread Width (inch)	Load Capacity (lbs)	Overall Height (mm)	Swivel Radius (mm)
Y380XP51SS/NYMC	Y381XDLP51SS/NYMC	3	1-1/4	220	107	33
Y480XP51SS/NYMC	Y481XDLP51SS/NYMC	4	1-1/4	220	135	40.5
Y580XP51SS/NYMC	Y581XDLP51SS/NYMC	5	1-1/4	220	161	39

2 2J SERIES PLATE & STEM CASTERS

J FEATURES

Load Capacity Up to 325 lbs.

- Finish: bright zinc plating to resist rust and corrosion
- Design: heavy gauge cold rolled steel, formed for strength
- Dust Cap: all swivel models feature dust cap which protects swivel raceway bearings and improves performance
- Swivel Construction: double ball bearing with hardened raceways
- Axle: 3/8" diameter bolt with lock nut
- Kingpin: 1/2" steel rivet, hydraulically upset

CASTER OPTIONS

- PB/SS** Posi-loc brake - PB/SS - swivel only
VB/SS Vertilok brake - swivel only
GS/SSZ Grease Seals with zerks - swivel only

PLATE MOUNTING OPTIONS

- Top Plate Sizes (swivel & rigid): to order, add Plate Mounting Code to end of model number (Example: 5-30-105 PLT 1)

Mounting Code	Top Plate Size	Bolt Hole Spacing	Mounting Bolt Size
PLT 1	2-3/8 x 3-5/8	1-3/4 x 3	1/4
PLT 2	2-3/8 x 3-5/8	1-3/4 x 3	5/16
PLT 3	3-1/8 x 4-1/8	2-3/8 x 3-7/16	5/16



2JGF5S
Swivel

2JHR5R
Rigid

FOR COMPLETE JARVIS CATALOG INFORMATION, SEE ACORN PREVIOUS WEBSITE.

2 2J SERIES OPTIONS



**SERIES J
2JPG5SGS5
GRIP STEM**



**SERIES J
2JPW5STS5
THREADED STEM**



**SERIES J
2JHR5SES9
EXPANDED STEM**

J GRIP STEM MOUNTING OPTIONS

- J Grip Stem: to order, specify GS to the caster model number (Example: 2JPG5SGS1).

Stem Code	Round Stem Sizes
GS1	3/4" diameter x 2-3/16" long
GS2	13/16" diameter x 2-3/16" long
GS3	.845" diameter x 2-3/16" long
GS4	.865" diameter x 2-3/16" long
GS5	1" diameter x 2-3/16" long

Stem Code	Square Stem Sizes
GS6	.860" SQUARE x 2-3/16" long

J THREADED STEM MOUNTING OPTIONS

- J Threaded Stem Sizes: to order, specify stem code number and add to end of caster model number (Example: 2JPW5STS1).

Stem Code	Stem Sizes
TS1	1/2" dia. -13 x 3/4" long
TS2	1/2" dia. -13 x 1" long
TS3	1/2" dia. -13 x 1-1/2" long
TS4	1/2" dia. -20 x 3/4" long
TS5	1/2" dia. -20 x 2-1/4" long
TS6	5/8" dia. -11 x 1-1/4" long
TS7	5/8" dia. - 18 x 1-3/4" long
TS8	3/4" dia. - 10 x 1" long
TS9	3/4" Pipe Thread (1" actual stem diameter)
TS10	1" Pipe Thread (1-1/4" actual stem diameter)
TS11	1-1/4" Pipe Thread (1-1/2" actual stem diameter)

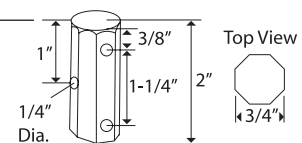
J EXPANDED STEM MOUNTING OPTIONS

- See chart below for adapter sizes and matching tube sizes. To order, add adapter number to end of model number (Example: 2JHR5SES9).
- Threaded stem size (less adapter): 1/2" diameter x 2- 3/4" long.

Adapter #	Tubing I.D.	Adapter #	Tubing I.D.
ES9	3/4"	ES17 B	1-3/16"
ES11	7/8"	ES19 C	1-3/8"
ES13	1"	ES19 A	1-1/2"
ES15	1-1/8"	ES21	1-7/8"

J OCTAGON STEM

Standard Octagon Stem Size: OC
3/4" octagon 2" long with 3 cross-drilled mounting holes.



2 2J SWIVEL & TOP PLATE CASTERS

Diameter (inch)	Tread Width (inch)	Wheel Type	Bearing Type	Capacity (lbs.)	Weight Number*	Load Height (lbs.)	Swivel (inch)	Swivel Model Number*	Rigid model Radius
3	1-1/4	Cushion Rubber	Ball	150	1-3/4	4-1/8	3	2JCR3S	2JCR3R
3	1-1/4	Hard Rubber	Ball	220	1-3/4	4-1/8	3	2JHR3S	2JHR3R
3-1/2	1-1/4	Cushion Rubber	Ball	160	2	4-5/8	3-1/4	2JCR35S	2JCR35R
3-1/2	1-1/4	Welded Disc/Black Rubber	Ball	200	2-3/16	4-5/8	3-1/4	2JWDBR35S	2JWDBR35R
3-1/2	1-1/4	Welded Disc/Gray Rubber	Ball	225	2-3/16	4-5/8	3-1/4	2JWDGR35S	2JWDGR35R
3-1/2	1-1/4	Advantage TPR/Round	Ball	225	2-3/16	4-5/8	3-1/4	2JATPRR35S	2JATPRR35R
3-1/2	1-1/4	Advantage Heat Round	S.S. Ball	225	2-3/16	4-5/8	3-1/4	2JAHR35S	2JAHR35R
3-1/2	1-1/4	Advantage Heat Flat	S.S. Ball	225	2-3/16	4-5/8	3-1/4	2JAHF35S	2JAHF35R
3-1/2	1-1/4	Advantage Health	S.S. Ball	225	2-3/16	4-5/8	3-1/4	2JAH35S	2JAH35R
3-1/2	1-1/4	Hard Rubber	Ball	230	2-3/16	4-5/8	3-1/4	2JHR35S	2JHR35R
3-1/2	1-1/4	Welded Disc/Polyurethane	Ball	250	2-3/16	4-5/8	3-1/4	2JWDP35S	2JWDP35R
3-1/2	1-1/4	Advantage TPR/Flat	Flat Ball	250	2-3/16	4-5/8	3-1/4	2JATPRF35S	2JATPRF35R
3-1/2	1-1/4	PolyLoc/Gray	Ball	250	2-3/16	4-5/8	3-1/4	2JPG35S	2JPG35R
3-1/2	1-1/4	PolyLoc/Blue	Ball	250	2-3/16	4-5/8	3-1/4	2JPB35S	2JPB35R
4	1-1/4	Cushion Rubber	Ball	170	2-3/8	5-1/8	3-1/2	2JCR4S	2JCR4R
4	1-1/4	Welded Disc/Black Rubber	Ball	200	2-1/2	5-1/8	3-1/2	2JWDBR4S	2JWDBR4R
4	1-1/4	Welded Disc/Gray Rubber	Ball	200	2-1/2	5-1/8	3-1/2	2JWDGR4S	2JWDGR4R
4	1-1/4	Hard Rubber	Ball	250	2-3/8	5-1/8	3-1/2	2JHR4S	2JHR4R
4	1-1/4	Advantage TPR/Round	Ball	250	2-1/2	5-1/8	3-1/2	2JATPRR4S	2JATPRR4R
4	1-1/4	Welded Disc/Polyurethane	Ball	275	2-1/2	5-1/8	3-1/2	2JWDP4S	2JWDP4R
4	1-1/4	PolyLoc/Gray	Ball	275	2-1/2	5-1/8	3-1/2	2JPG4S	2JPG4R
4	1-1/4	PolyLoc/Blue	Ball	275	2-1/2	5-1/8	3-1/2	2JPB4S	2JPB4R
4	1-1/4	Advantage TPR/Flat	Ball	300	2-1/2	5-1/8	3-1/2	2JATPRF4S	2JATPRF4R
4	1-1/4	Advantage Heat/Round	S.S. Ball	300	2-1/2	5-1/8	3-1/2	2JAHR4S	2JAHR4R
4	1-1/4	Advantage Heat/Flat	S.S. Ball	300	2-1/2	5-1/8	3-1/2	2JAHF4S	2JAHF4R
4	1-1/4	Advantage Health	S.S. Ball	300	2-1/2	5-1/8	3-1/2	2JAH4S	2JAH4R
5	1-1/4	Cushion Rubber	Ball	200	2-3/4	6-1/4	4	2JCR5S	2JCR5R
5	1-1/4	Welded Disc/Black Rubber	Ball	200	3	6-1/4	4	2JWDBR5S	2JWDBR5R
5	1-1/4	Welded Disc/Gray Rubber	Ball	200	3	6-1/4	4	2JWDGR5S	2JWDGR5R
5	1-1/4	Advantage TPR/Round	Ball	250	3	6-1/4	4	2JATPRR5S	2JATPR5R
5	1-1/4	Hard Rubber	Ball	280	2-3/4	6-1/4	4	2JHR5S	2JHR5R
5	1-1/4	Welded Disc/Polyurethane	Ball	300	3	6-1/4	4	2JWDP5S	2JWDP5R
5	1-1/4	PolyLoc/Gray	Ball	300	3	6-1/4	4	2JPG5S	2JPG5R
5	1-1/4	PolyLoc/Blue	Ball	300	3	6-1/4	4	2JPB5S	2JPB5R
5	1-1/4	Polyolefin	Ball	300	3	6-1/4	4	2JPO5S	2JPO5R
5	1-1/4	Advantage Heat Round	S.S. Ball	300	3	6-1/4	4	2JAHR5S	2JAHR5R
5	1-1/4	Advantage Heat/Flat	S.S. Ball	300	3	6-1/4	4	2JAHF5S	2JAHF5R
5	1-1/4	Advantage Health	S.S. Ball	300	3	6-1/4	4	2JAH5S	2JAH5R
5	1-1/4	Advantage TPR/Flat	Ball	325	3	6-1/4	4	2JATPRF5S	2JATPRF5R
6	1-1/4	Welded Disc/Black Rubber	Ball	250	3-3/4	7-1/4	4-1/2	2JWDBR6S	2JWDBR6R
6	1-1/4	Welded Disc/Gray Rubber	Ball	250	3-3/4	7-1/4	4-1/2	2JWDGR6S	2JWDGR6R
6	1-1/4	Hard Rubber	Ball	300	3-1/8	7-1/4	4-1/2	2JHR6S	2JHR6R
6	1-1/4	Welded Disc/Polyurethane	Ball	300	3-3/4	7-1/4	4-1/2	2JWDP6S	2JWDP6R
6	1-1/4	Advantage TPR/Round	Ball	300	3-3/4	7-1/4	4-1/2	2JATPRR6S	2JATPR6R
6	1-1/4	PolyLoc/Gray	Ball	300	3-3/4	7-1/4	4-1/2	2JPG6S	2JPG6R
6	1-1/4	PolyLoc/Blue	Ball	300	3-3/4	7-1/4	4-1/2	2JPB6S	2JPB6R
6	1-1/4	Advantage Heat Round	S.S. Ball	325	3-3/4	7-1/4	4-1/2	2JAHR6S	2JAHR6R
6	1-1/4	Advantage Heat/Flat	S.S. Ball	325	3-3/4	7-1/4	4-1/2	2JAHF6S	2JAHF6R
6	1-1/4	Advantage Health	S.S. Ball	325	3-3/4	7-1/4	4-1/2	2JAH6S	2JAH6R

See Wheel Section for additional wheels to fit this series. Any type 1 1/4" wheel will fit this series.

FOR COMPLETE JARVIS CATALOG INFORMATION, SEE ACORN PREVIOUS WEBSITE.

J STAINLESS STEEL FEATURES

Load Capacity Up to 325 lbs.

- Finish: Polished stainless steel
- Dust Cap: all swivel models feature dust cap which protects swivel raceway bearings and improves performance
- Swivel Construction: stainless steel grade 440 ball bearings with hardened double raceway construction. Bearings are magnetic
- Axle: 3/8" diameter stainless steel axle with lock nut
- Kingpin: 1/2" stainless steel rivet, hydraulically upset
- Grease Temperature Range: -45°F to +260°F



2JSSPG5S
Swivel

2JSSPH5R
Rigid

CASTER OPTIONS ADD TO END OF MODEL NUMBER

- PL** Posi-loc brake - PB/SS - swivel only
- VL** Vertilok brake - swivel only
- GS** Grease Seals with zerks - swivel only
- TG** Tread Guards - see wheel section
- SL** Swivel Lock

PLATE MOUNTING OPTIONS

- Top Plate Sizes (swivel & rigid): to order, add Plate Mounting Code to end of model number (Example: 5-S30-314G PLT 2).

Mounting Code	Top Plate Size	Bolt Hole Spacing	Mounting Bolt Size
PLT 2	2-3/8" x 3-5/8"	1-3/4" x 3"	5/16"
PLT 3	3-1/8" x 4-1/8"	2-3/8" x 3-7/16"	5/16"

FOR COMPLETE JARVIS CATALOG INFORMATION, SEE ACORN PREVIOUS WEBSITE.

2 2JSS STAINLESS STEEL OPTIONS



2JSSPG5SGR1
Stainless Steel
Grip Stem



2JSSWDP5STS1
Stainless Steel
Threaded Stem



2JSSP05SES9
Stainless Steel
Expanded Stem

GRIP STEM MOUNTING OPTIONS

- **J STAINLESS STEEL** Grip Stem: to order, specify JSS & add to the caster model number (Example: 2JSSPG5SGR1).

Stem Code	Round Stem Sizes
GR1	3/4" diameter x 2-3/16" long
GR2	13/16" diameter x 2-3/16" long
GR3	.845" diameter x 2-3/16" long
GR4	.865" diameter x 2-3/16" long
GR5	1" diameter x 2-3/16" long

Stem Code	Square Stem Sizes
GR6	.860" SQUARE x 2-3/16" long

THREADED STEM MOUNTING OPTIONS

- **S36** Threaded Stem Sizes: to order, specify stem code number and add to end of caster model number (Example: 2JSSWDP5STS1).

Stem Code	Stem Sizes
TS1	1/2" dia. -13 x 3/4" long
TS2	1/2" dia. -13 x 1" long
TS3	1/2" dia. -13 x 1-1/2" long
TS4	1/2" dia. -20 x 3/4" long
TS5	1/2" dia. -20 x 2-1/4" long
TS6	5/8" dia. -11 x 1-1/4" long
TS7	5/8" dia. - 18 x 1-3/4" long
TS8	3/4" dia. - 10 x 1" long
TS9	3/4" Pipe Thread (1" actual stem diameter)
TS10	1" Pipe Thread (1-1/4" actual stem diameter)
TS11	1-1/4" Pipe Thread (1-1/2" actual stem diameter)

EXPANDED STEM MOUNTING OPTIONS

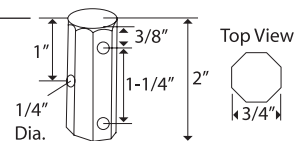
- See chart below for adapter sizes and matching tube sizes. To order, add adapter number to end of model number (Example: 2JSSP05SES9).
- Threaded stem size (less adapter): 1/2" diameter x 2- 3/4" long.

Adapter #	Tubing I.D.	Adapter #	Tubing I.D.
ES9	3/4"	ES17 B	1-3/16"
ES11	7/8"	ES19 C	1-3/8"
ES13	1"	ES19 A	1-1/2"
ES15	1-1/8"	ES21	1-7/8"

OCTAGON STEM

Standard Octagon Stem Size: OC

3/4" octagon 2" long with 3 cross-drilled mounting holes.



FOR COMPLETE JARVIS CATALOG INFORMATION, SEE ACORN PREVIOUS WEBSITE.

2

2JSS STAINLESS SWIVEL & RIGID CASTERS

Diameter (inch)	Tread Width	Wheel Type	Bearing Type	Capacity (lbs.)	Weight (lbs.)	Load Height	Swivel Radius	Swivel Model #	Rigid Model #
4	1-1/4	Polyolefin	SS Sleeve	300	2-1/4	5-1/16	3-1/2	2JSSP04S	2JSSP04R
4	1-1/4	Advantage Heat Flat ¹	SS Ball	300	2-1/4	5-1/16	3-1/2	2JSSAHF4S	2JSSAHF4R
4	1-1/4	Advantage Health	SS Ball	300	2-1/4	5-1/16	3-1/2	2JSSAH4S	2JSSAH4R
4	1-1/2	Phenolic	SS Sleeve	300	2-1/4	5-1/16	3-1/2	2JSSPH4S	2JSSPH4R
5	1-1/4	Advantage TPR/Round ²	SS Ball	250	2-3/4	6-1/8	4	2JSSATPRR5S	2JSSATPRR5R
5	1-1/4	Polyolefin	SS Sleeve	300	2-3/4	6-1/8	4	2JSSP05S	2JSSP05R
5	1-1/4	Welded Disc/polyurethane	SS Sleeve	300	2-3/4	6-1/8	4	2JSSWDP5S	2JSSWDP5R
5	1-1/4	PolyLoc/Gray ²	SS Ball	300	2-3/4	6-1/8	4	2JSSPG5S	2JSSPG5R
5	1-1/4	Advantage Heat Flat ¹	SS Ball	300	2-3/4	6-1/8	40	2JSSAHF5S	2JSSAHF5R
5	1-1/4	Advantage Health	SS Ball	300	2-3/4	6-1/8	4	2JSSAH5S	2JSSAH5R
5	1-1/2	Phenolic	SS Sleeve	300	2-3/4	6-1/8	4	2JSSPH5S	2JSSPH5R
6	1-1/4	Polyolefin	SS Sleeve	300	3-1/4	7-3/16	4-1/2	2JSSP06S	2JSSP06R
6	1-1/4	PolyLoc/Gray ¹	SS Ball	300	3-1/4	7-3/16	4-1/2	2JSSPG6S	2JSSPG6R
6	1-1/4	Advantage Heat Flat	SS Ball	325	3-1/4	7-3/16	4-1/2	2JSSAHF6S	2JSSAHF6R
6	1-1/4	Advantage Health	SS Ball	325	3-1/4	7-3/16	4-1/2	2JSSAH6S	2JSSAH6R
6	1-1/2	Phenolic	SS Sleeve	300	3-1/4	7-3/16	4-1/2	2JSSPH6S	2JSSPH6R

¹Delrin bearing also available, consult factory.

²Advantage Heat round treads also available, change AHR.

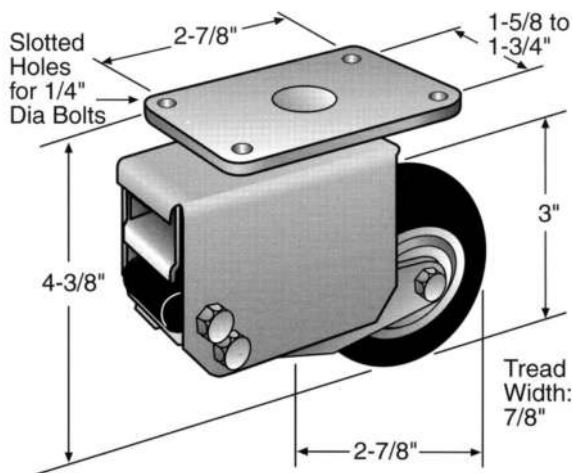
FOR COMPLETE JARVIS CATALOG INFORMATION, SEE ACORN PREVIOUS WEBSITE.

2 2DSA SHOCK ABSORBING CASTER

The cushion ride is a shock absorbing caster specifically designed for laboratory & office equipment which requires protection from shock and vibration. The unique design (Non-linear Deflection vs. Load) gives vertical wheel deflection in response to light load and will provide protection against heavier shock loads.

2DSA SERIES FEATURES

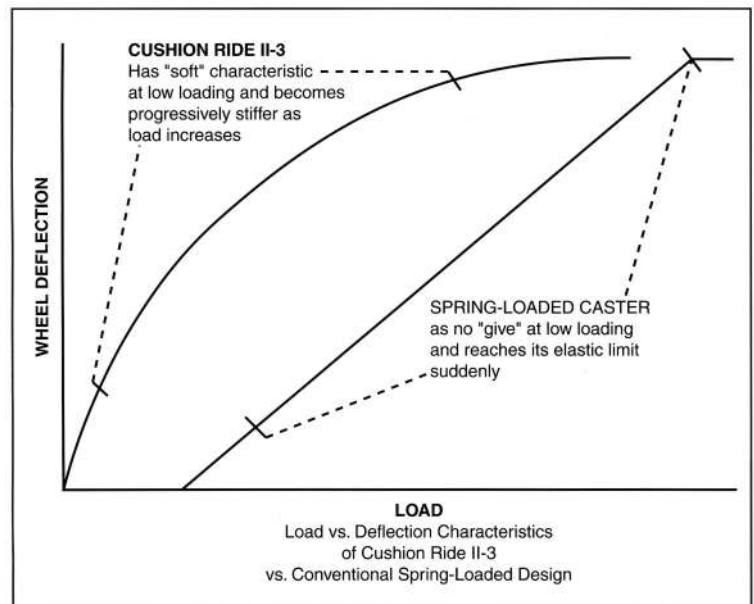
- Computers or other laboratory or office equipment mounted on these casters will easily roll over floor irregularities such as carpet edges, thresholds, etc.
- If the unit is dropped or otherwise subjected to a sudden load, the caster will provide smooth shock absorption. The caster will not suddenly “hit bottom” or abruptly come to the limit of the caster spring system.
- Electronic equipment is characteristically designed to withstand a certain maximum, usually expressed in “g’s”.
- Cushion Ride II-3 can be modified so as to give the proper protection. Call us Toll Free for further information or quotation.



CUSHION RIDE II-3



Neoprene Rubber Wheel



CASTER ORDERING #CR113XEZNRD

Also available with a variety of stems and top plates.
CAPACITY TO 110 LBS.