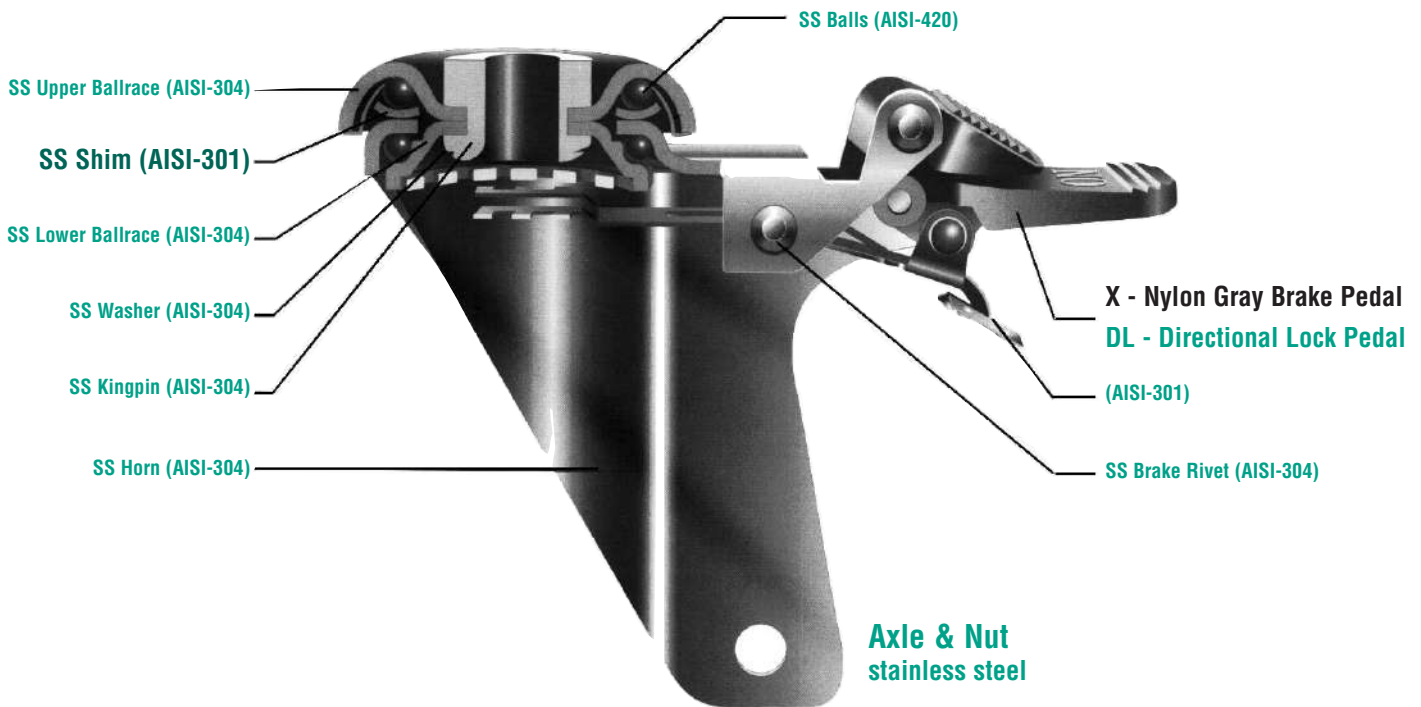


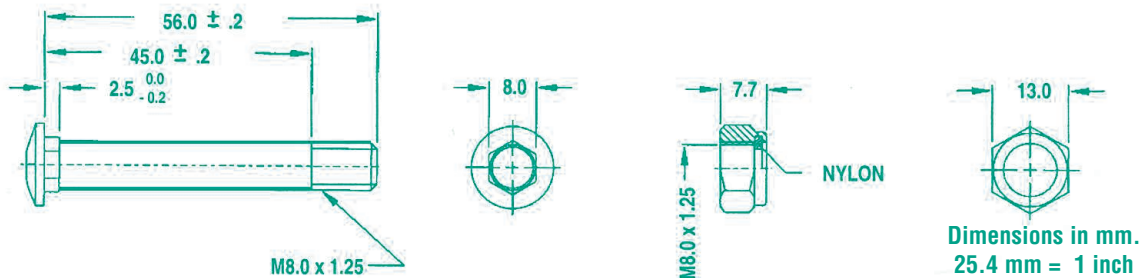
Best Value 2CSS Stainless Steel Institutional Casters for Every Application

- Food Service
 - Hotel & Catering Equipment
 - Kitchen Equipment
 - Movable Hi-tech Products
 - Institutional Equipment
- Pharmaceutical
 - Animal Cages
 - AALAS
 - Apparatus
 - Instrument Equipment Carts
- Hospital
 - Medical Equipment
 - Laboratories
 - Clean Room
 - Plastic Utility Carts

POLISHED STAINLESS STEEL - Hardened Shim with Sealed Swivel Yoke.



AXLE & NUT STAINLESS STEEL



**KR SS
WHEELS****KRYPTONIC™ WHEELS**

- Polyether Polyurethane has excellent carrying capacity.
- Straight sided slight crown shape affords an easy-rolling quiet operation.
- Greater service life and resistance to chunking, cutting and abrasive wear.
- 100% washable, steam cleanable, and resistant to most chemicals.

- Non-marking tread.
- Durometer: 58 Shore D (+/-5).
- Stainless Steel Precision Ball Bearings.
- Temperature Range: + 250°F for up to a 1/2 hour.
- Available in 5" HI-temp gray + 250°F for 5 to 6 hrs. add: "G" after "KR". Example: Y582P1CR/KRG5
- For Plastic Brake add "X" after the rig number. Example: Y380XP1.



Part Number Swivel with Total Lock	Part Number Swivel Caster	Part Number Rigid Caster	Wheel Diameter (inch)	Tread Width (inch)	Load Capacity (lbs)	Overall Height (mm)	Swivel Radius (mm)
Y380P1SS/KR3	Y381XP1SS/KR3	Y382P1SS/KR3	3	1-1/4	130	107	33
Y480XP1SS/KR4	Y481XP1SS/KR4	Y482P1SS/KR4	4	1-1/4	175	135	40.5
Y580XP1SS/KR5	Y581XP1SS/KR5	Y582P1SS/KR5	5	1-1/4	220	161	39

**ANR SS
WHEELS****ADVANCED RED RUBBER**

- 80 (+/-5) Shore (A).
- Unique soft tread wheel handles the heat for autoclave applications.
- Roll quiet and smooth ride.
- Recommended for use in hospitals, laboratories and cleanrooms.

- Corrosion resistant thermoplastics.
- Resilient tread material rejects floor debris.
- Stainless Steel Precision Ball Bearings.
- Temp Range: -190°F to +300°F.
- For Plastic Brake add "X" after the rig number. Example: Y480XP1.



Part Number Swivel with Total Lock	Part Number Swivel Caster	Part Number Rigid Caster	Wheel Diameter (inch)	Tread Width (inch)	Load Capacity (lbs)	Overall Height (mm)	Swivel Radius (mm)
Y480XP1SS/ANR4	Y481XP1SS/ANR4	Y482P1SS/ANR4	4	1-1/4	175	135	40.5
Y580XP1SS/ANR5	Y581XP1SS/ANR5	Y582P1SS/ANR5	5	1-1/4	220	161	39
Y680XP1SS/ANR6	Y681XP1SS/ANR6	Y682P1SS/ANR6	6	1-1/4	245	167	45

**NY/MC SS
WHEELS****NYLACRON™**

- Precision Machined from cast polyamide hardness 112-120 Rockwell R.
- Ultimate choice for extremely high load applications to replace metallic wheels.
- Offer very high abrasion resistance and very low rolling resistance under extreme loads.

- Resistant to salt, grease, alcohol and mild acids - can be used in corrosive applications with appropriate bearings.
- Stainless Steel Precision Ball Bearings.
- Temperature Range: -40°F to +270°F.
- For Plastic Brake add "X" after the rig number. Example: Y380XP1.
- Available in black MY/MD.



Part Number Swivel with Total Lock	Part Number Directional Lock	Part Number Swivel Caster	Wheel Diameter (inch)	Tread Width (inch)	Load Capacity (lbs)	Overall Height (mm)	Swivel Radius (mm)
Y380XP1SS/NYMC	Y381XP1SS/NYMC	Y382P1SS/NYMC	3	1-1/4	220	107	33
Y480XP1SS/NYMC	Y481XP1SS/NYMC	Y482P1CR/NYMC	4	1-1/4	220	135	40.5
Y580XP1SS/NYMC	Y581XP1SS/NYMC	Y582P1SS/NYMC	5	1-1/4	220	161	39

2

2CSS POLISHED STAINLESS STEEL PLATE CASTERS

PRB SS WHEELS

ELASTIC RUBBER

- Plastic hub material.
- Plastic 3" & Steel 4" & 5" thread guards.
- Gray color elastic rubber tire material.
- Stainless Steel Precision Ball Bearings.
- Short-term temperature range: -40°/80°C.
- For Plastic Brake add "X" after the rig number. Example: Y380XP1.



Part Number Swivel with Total Lock	Part Number Swivel Caster	Part Number Rigid Caster	Wheel Diameter (inch)	Tread Width (inch)	Load Capacity (lbs)	Overall Height (mm)
Y380XP1SS/W324S	Y381XP1SS/W324S	Y382P1SS/W324S	3	1-1/4	110	107
Y480XP1SS/W424DS	Y481XP1SS/W424DS	Y482P1SS/W424DS	4	1-1/4	175	135
Y580XP1SS/W524DS	Y581XP1SS/W524DS	Y582P1SS/W524DS	5	1-1/4	220	161
Y680XP1SS/W624DS	Y681XP1SS/W624DS	Y682P1SS/W624DS	6	1-1/4	220	189.5

TPU SS WHEELS

POLYURETHANE WHEEL

- Anti-corrosion, stainless steel.
- Steel thread guards.
- Gray color.
- Stainless Steel Precision Ball Bearings.
- Short-term temperature range: -20°/80°C.
- For Plastic Brake add "X" after the rig number. Example: Y380XP1.



Part Number Swivel with Total Lock	Part Number Swivel Caster	Part Number Rigid Caster	Wheel Diameter (inch)	Tread Width (inch)	Load Capacity (lbs)	Overall Height (mm)
Y480XP1SS/W400DS	Y481XP1SS/W400DS	Y482P1SS/W400DS	4	1-1/4	175	135
Y580XP1SS/W500DS	Y581XP1SS/W500DS	Y582P1SS/W500DS	5	1-1/4	220	161
Y680XP1SS/W600DS	Y681XP1SS/W600DS	Y682P1SS/W600DS	6	1-1/4	220	190

RT SS WHEELS

RETORT

- 75 Durometer Shore (D).
- Designed to withstand the rigors of high temperature.
- Oversized bore ID ensures smooth movement.
- Moderate crown/White finish.
- Stainless Steel Precision Ball Bearings.
- Temp Range: -20°F to +290°F.
- For Plastic Brake add "X" after the rig number. Example: Y380XP1.



Part Number Swivel with Total Lock	Part Number Swivel Caster	Part Number Rigid Caster	Wheel Diameter (inch)	Tread Width (inch)	Load Capacity (lbs)	Overall Height (mm)	Swivel Radius (mm)
Y380XP1SS/RT3	Y381XP1SS/RT3	Y382P1SS/RT3	3	1-1/4	130	107	33
Y480XP1SS/RT4	Y481XP1SS/RT4	Y482P1SS/RT4	4	1-1/4	175	135	40.5
Y580XP1SS/RT5	Y581XP1SS/RT5	Y582P1SS/RT5	5	1-1/4	220	161	39

TPR SS
WHEELSTHERMOPLASTIC GRAY TREAD
RUBBER PLASTIC HUB WITH
PLASTIC THREAD GUARD

- 70 (+/-5) Durometer Shore (A).
- Recommended for clean environments.
- Resists most solvents, oil, grease, and water.

- Non-marking.
- Smooth rolling and quiet.
- Stainless Steel Precision Ball Bearings.
- Temp Range: -45°F to +180°F.
- For Plastic Brake add "X" after the rig number.
Example: Y480XP1.



Part Number Swivel with Total Lock	Part Number Swivel Caster	Part Number Rigid Caster	Wheel Diameter (inch)	Tread Width (inch)	Load Capacity (lbs)	Overall Height (mm)	Swivel Radius (mm)
Y480XP1SS/W403DSE	Y481XP1SS/W403DSE	Y482P1SS/W403DSE	4	1-1/4	130	107	33
Y580XP1SS/W503DSE	Y581XP1SS/W503DSE	Y582P1SS/W503DSE	5	1-1/4	175	135	40.5
Y480XP1SS/W403DS*	Y481XP1SS/W403DSE*	Y482P1SS/W403DSE*	4	1-1/4	130	107	33
Y580XP1SS/W503DS*	Y581XP1SS/W503DS*	Y582P1SS/W503DS*	5	1-1/4	175	135	40.5

*stainless steel thread guard

HE
WHEELS

HEATEATER

- 85 Durometer Shore (D +5).
- Ideal for specialty applications.
- Nylon Glass-filled wheels won't chip, absorb water, or breakdown in caustic environments.

- Temp Range: Up to 550°F, 475°F intermittent consult Acorn™.
- Stainless Steel Precision Ball Bearings.
- Moderate crown/Black finish.
- For Plastic Brake add "X" after the rig number. Example: Y380XP1.



Part Number Swivel with Total Lock	Part Number Swivel Caster	Part Number Rigid Caster	Wheel Diameter (inch)	Tread Width (inch)	Load Capacity (lbs)	Overall Height (mm)	Swivel Radius (mm)
Y380XP1SS/HE3	Y381XP1SS/HE3	Y382P1SS/HE3	3	1-1/4	110	135	40.5
Y480XP1SS/HE4	Y481XP1SS/HE4	Y482P1SS/HE4	4	1-1/4	175	161	39
Y580XP1SS/HE5	Y581XP1SS/HE5	Y582P1SS/HE5	5	1-1/4	220	167	45

P1, P2, P3 for Swivel Plate Sizes
TL for Total Lock to Swivel Caster

P4, P5, or P6 for Rigid Plate Sizes
DL for Directional Lock

All wheels with precision ball bearings
H3 for Hole Caster

NOTE: All load ratings are for manual operation.

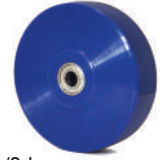
OTHER TYPE 1 1/4" WHEELS AVAILABLE FOR THIS SERIES:

NYLACRON™ MD (NY/MD), NYLACRON™ MONOCAST (NY/MC), SOLID NYLON (PM), HIGH TEMP WHEELS AVAILABLE. SEE WHEEL SECTION.

**KR
WHEELS****KRYPTONIC™ WHEELS**

- Polyether Polyurethane has excellent carrying capacity.
- Straight sided slight crown shape affords an easy-rolling quiet operation.
- Greater service life and resistance to chunking, cutting and abrasive wear.
- 100% washable, steam cleanable, and resistant to most chemicals.

- Non-marking tread.
- Durometer: 58 Shore D (+/-5).
- Stainless Steel Precision Ball Bearings.
- Temperature Range: + 250°F for up to a 1/2 hour.
- **Available in 5" hi-temp gray + 250°F for 5 to 6 hrs. add: "G" after "KR". Example: Y582P1CR/KRG5**
- **For Plastic Brake add "X" after the rig number. Example: Y380XP1.**



Part Number Swivel with Total Lock	Part Number Swivel Caster	Wheel Diameter (inch)	Tread Width (inch)	Load Capacity (lbs)	Overall Height (mm)	Swivel Radius (mm)
Y380P1H3SS/KR3	Y380P1H3SS/KR3	3	1-1/4	300	107	33
Y480P1H3SS/KR4	Y481P1H3SS/KR4	4	1-1/4	300	135	40.5
Y580P1H3SS/KR5	Y581P1H3SS/KR5	5	1-1/4	300	161	39

**ANR
WHEELS****ADVANCED RED RUBBER**

- 80 (+/-5) Shore (A).
- Unique soft tread wheel handles the heat for autoclave applications.
- Roll quiet and smooth ride.
- Recommended for use in hospitals, laboratories and cleanrooms.

- Corrosion resistant thermoplastics.
- Resilient tread material rejects floor debris.
- Stainless Steel Precision Ball Bearings.
- Temp Range: -190°F to +300°F.
- **For Plastic Brake add "X" after the rig number. Example: Y480XP1.**



Part Number Swivel with Total Lock	Part Number Swivel Caster	Wheel Diameter (inch)	Tread Width (inch)	Load Capacity (lbs)	Overall Height (mm)	Swivel Radius (mm)
Y480P1H3SS/ANR4	Y481P1H3SS/ANR4	4	1-1/4	175	135	40.5
Y580P1H3SS/ANR5	Y581P1H3SS/ANR5	5	1-1/4	220	161	39
Y680P1H3SS/ANR6	Y681P1H3SS/ANR6	6	1-1/4	245	167	45

**RT
WHEELS****RETORT**

- 75 Durometer Shore (D).
- Designed to withstand the rigors of high temperature.
- Oversized bore ID ensures smooth movement.

- Moderate crown/white finish.
- Stainless Steel Precision Ball Bearings.
- Temp Range: -20°F to +290°F.
- **For Plastic Brake add "X" after the rig number. Example: Y380XP1.**



Part Number Swivel with Total Lock	Part Number Swivel Caster	Wheel Diameter (inch)	Tread Width (inch)	Load Capacity (lbs)	Overall Height (mm)	Swivel Radius (mm)
Y380P1H3SS/RT3	Y381P1H3SS/RT3	3	1-1/4	130	107	33
Y480P1H3SS/RT4	Y481P1H3SS/RT4	4	1-1/4	175	135	40.5
Y580P1H3SS/RT5	Y581P1H3SS/RT5	5	1-1/4	220	161	39

FOR ALL STEM OPTIONS AVAILABLE IN THIS CATEGORY GO TO PAGE 4.

PRB
WHEELS

ELASTIC RUBBER

- Plastic hub material.
- Plastic 3" & Steel 4" & 5" thread guards.
- Gray color elastic rubber tire material.
- Stainless Steel Precision Ball Bearings.
- Short-term temperature range: -40°/80°C.
- For Plastic Brake add "X" after the rig number. Example: Y380XP1.



Part Number Swivel with Total Lock	Part Number Swivel Caster	Wheel Diameter (inch)	Tread Width (inch)	Load Capacity (lbs)	Overall Height (mm)
Y380P1H3SS/W324S	Y381P1H3SS/W324S	3	1-1/4	110	107
Y480P1H3SS/W424DS	Y481P1H3SS/W424DS	4	1-1/4	175	135
Y580P1H3SS/W524DS	Y581P1H3SS/W524DS	5	1-1/4	220	161

TPR SS
WHEELSTHERMOPLASTIC GRAY TREAD
RUBBER PLASTIC HUB WITH
PLASTIC THREAD GUARD

- 70 (+/-5) Durometer Shore (A).
- Recommended for clean environments.
- Resists most solvents, oil, grease, and water.
- Non-marking.
- Smooth rolling and quiet.
- Stainless Steel Precision Ball Bearings.
- Temp Range: -45°F to +180°F.
- For Plastic Brake add "X" after the rig number. Example: Y480XP1.



Part Number Swivel with Total Lock	Part Number Swivel Caster	Wheel Diameter (inch)	Tread Width (inch)	Load Capacity (lbs)	Overall Height (mm)	Swivel Radius (mm)
Y480P1H3SS/TPR4	Y481P1H3SS/TPR4	4	1-1/4	130	107	33
Y580P1H3SS/TPR5	Y581P1H3SS/TPR5	5	1-1/4	175	135	40.5
Y480P1H3SS/TPR4*	Y481P1H3SS/TPR4*	4	1-1/4	130	107	33
Y580P1H3SS/TPR5*	Y581P1H3SS/TPR5*	5	1-1/4	175	135	40.5

*stainless steel thread guard

HE
WHEELS

HEATEATER

- 85 Durometer Shore (D +5).
- Ideal for specialty applications.
- Nylon Glass-filled wheels won't chip, absorb water, or breakdown in caustic environments.
- Temp Range: Up to 550°F, 475°F intermittent consult Acorn™.
- Stainless Steel Precision Ball Bearings.
- Moderate crown/black finish.
- For Plastic Brake add "X" after the rig number. Example: Y380XP1.



Part Number Swivel with Total Lock	Part Number Swivel Caster	Wheel Diameter (inch)	Tread Width (inch)	Load Capacity (lbs)	Overall Height (mm)	Swivel Radius (mm)
Y380P1H3SS/HE3	Y380P1H3SS/HE3	3	1-1/4	110	135	40.5
Y480P1H3SS/HE4	Y480P1H3SS/HE4	4	1-1/4	175	161	39
Y580P1H3SS/HE5	Y580P1H3SS/HE5	5	1-1/4	220	167	45

P1, P2, P3 for Swivel Plate Sizes

P4, P5, or P6 for Rigid Plate Sizes

All wheels with precision ball bearings

TL for Total Lock to Swivel Caster

DL for Directional Lock

H3 for Hole Caster

NOTE: All load ratings are for manual operation.

OTHER TYPE 1 1/4" WHEELS AVAILABLE FOR THIS SERIES:

NYLACRON™ MD (NY/MD), NYLACRON™ MONOCAST (NY/MC), SOLID NYLON (PM), HIGH TEMP WHEELS AVAILABLE. SEE WHEEL SECTION.