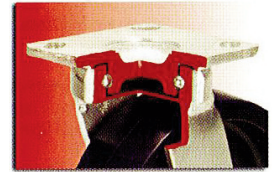


GHKU KINGPINLESS STAINLESS STEEL TOTAL LOCK SERIES CASTERS

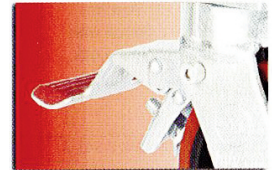


**LEADING SIDE
TOTAL LOCK STAINLESS STEEL SWIVEL CASTER**

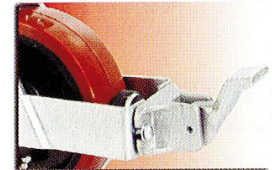
Add TL to swivel caster number



Swivel Head Section



Total Lock System



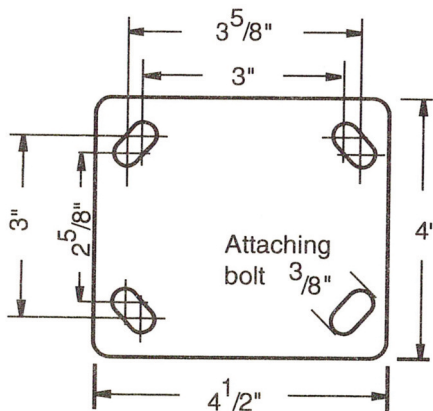
Wheel Face Break



Directional Lock

2,000 LBS. LOAD CAPACITY STAINLESS STEEL KINGPINLESS TYPE CASTERS

- Fabricated AISI 304 Stainless Steel Top Plate and Fork Base
- Precision CNC Machined Raceways with Kingpinless construction
- Totally Sealed Swivel Head with Grease Nipple
- 1/4" Thick Fork Legs Robotically welded Inside & Outside to 2 1/2" fork spacing
- 1/2" Wheel axle
- 4 Position Directional Lock Slots
- Finish: Bright Zinc Plated



TOP PLATE
4 X 4-1/2

BOLT HOLE CENTER
2-5/8 X 3-5/8
SLOTTED TO
3 X 3

ATTACHING BOLT SIZE
3/8

RIG OPTIONS

DL: 4-WAY DIRECTIONAL LOCK
WFB: WHEEL FACE BRAKE
ADD TO SUFFIX
OF THE CASTER PART NUMBER

4

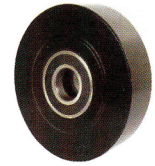
GHKU KINGPINLESS STAINLESS STEEL TOTAL LOCK SERIES CASTERS

NY/MD WHEELS

NYLACRON™ WHEELS

- Precision Machined from Cast Polyamide. Hardness 112-120 Rockwell R
- Ultimate choice for Extremely High Load applications to replace metallic wheels
- Offer very high abrasion resistance and very low rolling resistance under extreme loads

- Resistant to salt, grease, alcohol and mild acids - can be used in corrosive applications with appropriate bearings
- Stainless Steel Precision Ball Bearings
- Temperature Range: -40°F to +270°F



Part Number Swivel Caster	Part Number Swivel with Total Lock	Part Number Rigid Caster	Wheel Diameter (inch)	Tread Width (inch)	Load Capacity (lbs)	Overall Height (inch)	Swivel Radius (inch)	Swivel Radius w/Total Lock (inch)	Swivel Radius w/Wheel Brake (inch)
GHKUSS42SNYMD	GHKUSS42SNYMDTL	GHKUSS42RNYMD	4	2	2000	5-5/8	3-3/16	4	8-1/2
GHKUSS52SNYMD	GHKUSS52SNYMDTL	GHKUSS52RNYMD	5	2	2000	6-1/2	3-7/8	4	9-1/2
GHKUSS62SNYMD	GHKUSS62SNYMDTL	GHKUSS62RNYMD	6	2	2000	7-1/2	4-9/16	6	10
GHKUSS82SNYMD	GHKUSS82SNYMDTL	GHKUSS82RNYMD	8	2	2000	9-1/2	6	6	11-1/2

NY/MC WHEELS

NYLACRON™ WHITE WHEELS

- Precision Machined from Cast Polyamide. Hardness 112-120 Rockwell R
- Ultimate choice for Extremely High Load applications to replace metallic wheels
- Offer very high abrasion resistance and very low rolling resistance under extreme loads

- Resistant to salt, grease, alcohol and mild acids - can be used in corrosive applications with appropriate bearings
- Stainless Steel Precision Ball Bearings
- Temperature Range: -40°F to +270°F



Part Number Swivel Caster	Part Number Swivel with Total Lock	Part Number Rigid Caster	Wheel Diameter (inch)	Tread Width (inch)	Load Capacity (lbs)	Overall Height (inch)	Swivel Radius (inch)	Swivel Radius w/Total Lock (inch)	Swivel Radius w/Wheel Brake (inch)
GHKUSS42SNYMC	GHKUSS42SNYMCTL	GHKUSS42RNYMC	4	2	2000	5-5/8	3-3/16	4	8-1/2
GHKUSS52SNYMC	GHKUSS52SNYMCTL	GHKUSS52RNYMC	5	2	2000	6-1/2	3-7/8	4	9-1/2
GHKUSS62SNYMC	GHKUSS62SNYMCTL	GHKUSS62RNYMC	6	2	2000	7-1/2	4-9/16	6	10
GHKUSS82SNYMC	GHKUSS82SNYMCTL	GHKUSS82RNYMC	8	2	2000	9-1/2	6	6	11-1/2

NN WHEELS

NYLON WHEELS

- Injection molded from Nylon 6
- 100% washable & steam cleanable; impervious to water, highly resistant to organic solvents, most chemicals & cleaning solutions; ideal for use in food processing and packaging plants
- Offer high impact strength and exceptional abrasion resistance

- Hard tread has slight crown and rolls very easily
- Non-marking
- Durometer: 75 Shore D (+/-5)
- Stainless Steel Precision Ball Bearings
- Temperature Range: -40°F to +180°F
- Available in Anti-Static add "AS"



Part Number Swivel Caster	Part Number Swivel with Total Lock	Part Number Rigid Caster	Wheel Diameter (inch)	Tread Width (inch)	Load Capacity (lbs)	Overall Height (inch)	Swivel Radius (inch)	Swivel Radius w/Total Lock (inch)	Swivel Radius w/Wheel Brake (inch)
GHKUSS42SNN	GHKUSS42SNNL	GHKUSS42RNN	4	2	1320	5-5/8	3-3/16	4	8-1/2
GHKUSS52SNN	GHKUSS52SNNL	GHKUSS52RNN	5	2	1320	6-1/2	3-7/8	4	9-1/2
GHKUSS62SNN	GHKUSS62SNNL	GHKUSS62RNN	6	2	1320	7-1/2	4-9/16	6	10
GHKUSS82SNN	GHKUSS82SNNL	GHKUSS82RNN	8	2	2000	9-1/2	6	6	11-1/2

4

GHKU KINGPINLESS STAINLESS STEEL TOTAL LOCK SERIES CASTERS

SS WHEELS

STAINLESS STEEL WHEELS

- Type 304 Stainless Steel
- Non-magnetic & Non-sparking
- Excellent corrosion resistance
- Slightly crowned tread face with rounded corners
- Stainless Steel Precision Ball Bearings

- Temperature Range: 800°F

Custom Stainless Steel Wheels
made to your specifications

V-Groove - VG

Flanged - FL



Part Number Swivel Caster	Part Number Swivel with Total Lock	Part Number Rigid Caster	Wheel Diameter (inch)	Tread Width (inch)	Load Capacity (lbs)	Overall Height (inch)	Swivel Radius (inch)	Swivel Radius w/Total Lock (inch)	Swivel Radius w/Wheel Brake (inch)
GHKUSS42SSS	GHKUSS42SSSTL	GHKUSS42RSS	4	2	1000	5-5/8	3-3/16	4	8-1/2
GHKUSS52SSS	GHKUSS52SSSTL	GHKUSS52RSS	5	2	1000	6-1/2	3-7/8	4	9-1/2
GHKUSS62SSS	GHKUSS62SSSTL	GHKUSS62RSS	6	2	1000	7-1/2	4-9/16	6	10
GHKUSS82SSS	GHKUSS82SSSTL	GHKUSS82RSS	8	2	1000	9-1/2	6	6	11-1/2

SEN WHEELS

SOLID ELASTOMER WHEEL NYLON CORE

- 70 Shore (D) durometer
- FDA standards for use in food processing environments
- 100% Washable

- Stainless Steel Precision Ball Bearings
- Glass-filled nylon core insert endures heat
- High impact and abrasion resistant
- Resists oil, grease, water, and most solvents
- Temp Range: -50°F to +180°F



Part Number Swivel Caster	Part Number Swivel with Total Lock	Part Number Rigid Caster	Wheel Diameter (inch)	Tread Width (inch)	Load Capacity (lbs)	Overall Height (inch)	Swivel Radius (inch)	Swivel Radius w/Total Lock (inch)	Swivel Radius w/Wheel Brake (inch)
GHKUSS42SSEN	GHKUSS42SSENTL	GHKUSS42RSEN	4	2	1000	5-5/8	3-3/16	4	8-1/2
GHKUSS52SSEN	GHKUSS52SSENTL	GHKUSS52RSEN	5	2	1400	6-1/2	3-7/8	4	9-1/2
GHKUSS62SSEN	GHKUSS62SSENTL	GHKUSS62RSEN	6	2	1700	7-1/2	4-9/16	6	10
GHKUSS82SSEN	GHKUSS82SSENTL	GHKUSS82RSEN	8	2	2000	9-1/2	6	6	11-1/2

KR WHEELS

SOLID POLYURETHANE KRYPTONIC™ WHEELS

- Polyether Polyurethane has excellent carrying capacity.
- Crown shape affords an easy-rolling quiet operation
- Greater service life and resistance to chunking, cutting and abrasive wear

- 100% washable, steam cleanable, and resistant to most chemicals
- Non-marking tread
- Durometer: 58 Shore D (+/-5)
- Stainless Steel Precision Ball Bearings
- Temperature Range: + 250°F for up to a 1/2 hour.
- Available in 5" HI-temp gray + 250°F for 5 to 6 hrs. add: "G" after "KR". Example: GHKUSS42/SKRG.



Part Number Swivel Caster	Part Number Swivel with Total Lock	Part Number Rigid Caster	Wheel Diameter (inch)	Tread Width (inch)	Load Capacity (lbs)	Overall Height (inch)	Swivel Radius (inch)	Swivel Radius w/Total Lock (inch)	Swivel Radius w/Wheel Brake (inch)
GHKUSS42SKR	GHKUSS42SKRTL	GHKUSS42RKR	4	2	500	5-5/8	3-3/16	4	8-1/2
GHKUSS52SKR	GHKUSS52SKRTL	GHKUSS52RKR	5	2	600	6-1/2	3-7/8	4	9-1/2
GHKUSS62SKR	GHKUSS62SKRTL	GHKUSS62RKR	6	2	700	7-1/2	4-9/16	6	10
GHKUSS82SKR	GHKUSS82SKRTL	GHKUSS82RKR	8	2	800	9-1/2	6	6	11-1/2