

4

S34 SERIES KINGPIN HI-GLOSS POLISHED STAINLESS STEEL CASTERS



**SWIVEL CASTER
STAINLESS STEEL**

**TOTAL LOCK
STAINLESS STEEL**



**CS
SWIVEL CASTER**

**CR
RIGID CASTER**

**TL
SWIVEL CASTER
W/TOTAL LOCK
BRAKE**

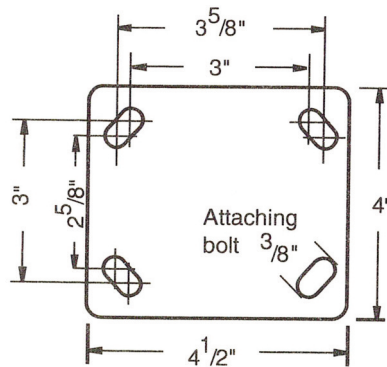
**TS
SWIVEL CASTER
W/TOP LOCK
BRAKE**

**TR
RIGID CASTER
W/TOP LOCK
BRAKE**

ADD SUFFIX TO THE END PART NUMBER

1,250 LBS. LOAD CAPACITY STAINLESS STEEL TYPE CASTERS

- Machine welded, High Grade 304 Stainless Steel, providing a caster that is proven to be resistant to oxidation, corrosion, and maintains durability
- Includes Sealed upper and lower raceways
- Hi-Glass Polished Stainless Finish, developed to withstand harsh environments, while upholding performance and quality



**TOP PLATE
4 X 4-1/2**

**BOLT HOLE CENTER
2-5/8 X 3-5/8
SLOTTED TO
3 X 3**

**ATTACHING BOLT SIZE
3/8**

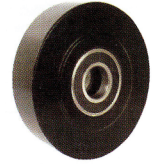
**ALL WHEELS
AVAILABLE WITH
STAINLESS STEEL
ROLLER BEARINGS
OR
DELIN BUSHING**

NY/MD
WHEELS

NYLACRON™ WHEELS

- Precision Machined from Cast Polyamide. Hardness 112-120 Rockwell R
- Ultimate choice for Extremely High Load applications to replace metallic wheels
- Offer very high abrasion resistance and very low rolling resistance under extreme loads

- Resistant to salt, grease, alcohol and mild acids - can be used in corrosive applications with appropriate bearings
- Stainless Steel Precision Ball Bearings
- Temperature Range: -40°F to +270°F



Part Number Swivel Caster	Part Number Swivel with Total Lock	Part Number Rigid Caster	Wheel Diameter (inch)	Tread Width (inch)	Load Capacity (lbs)	Overall Height (inch)	Swivel Radius (inch)	Swivel Radius w/Total Lock (inch)	Swivel Radius w/Wheel Brake (inch)
34SS42NYMD	34SS42NYMDTL	34SS42NYMD	4	2	1250	5-5/8	3-15/16	4	8-1/2
34SS52NYMD	34SS52NYMDTL	34SS52NYMD	5	2	1250	6-1/2	3-7/8	4	9-1/2
34SS62NYMD	34SS62NYMDTL	34SS62NYMD	6	2	1250	7-1/2	4-7/8	6	10
34SS82NYMD	34SS82NYMDTL	34SS82NYMD	8	2	1250	9-1/2	6-1/2	6	11-1/2

NY/MC
WHEELS

NYLACRON™ WHEELS WHITE

- Precision Machined from Cast Polyamide. Hardness 112-120 Rockwell R
- Ultimate choice for Extremely High Load applications to replace metallic wheels
- Offer very high abrasion resistance and very low rolling resistance under extreme loads

- Resistant to salt, grease, alcohol and mild acids - can be used in corrosive applications with appropriate bearings
- Stainless Steel Precision Ball Bearings
- Temperature Range: -40°F to +270°F



Part Number Swivel Caster	Part Number Swivel with Total Lock	Part Number Rigid Caster	Wheel Diameter (inch)	Tread Width (inch)	Load Capacity (lbs)	Overall Height (inch)	Swivel Radius (inch)	Swivel Radius w/Total Lock (inch)	Swivel Radius w/Wheel Brake (inch)
34SS42NYMC	34SS42NYMCTL	34SS42NYMC	4	2	1250	5-5/8	3-3/15	4	8-1/2
34SS52NYMC	34SS52NYMCTL	34SS52NYMC	5	2	1250	6-1/2	3-7/8	4	9-1/2
34SS62NYMC	34SS62NYMCTL	34SS62NYMC	6	2	1250	7-1/2	4-7/8	6	10
34SS82NYMC	34SS82NYMCTL	34SS82NYMC	8	2	1250	9-1/2	6-1/2	6	11-1/2

NN
WHEELS

NYLON WHEELS

- Injection molded from Nylon 6
- 100% washable & steam cleanable; impervious to water, highly resistant to organic solvents, most chemicals & cleaning solutions; ideal for use in food processing and packaging plants
- Offer high impact strength and exception abrasion resistance

- Hard tread has slight crown and rolls very easily
- Non-marking
- Durometer: 75 Shore D (+/-5)
- Stainless Steel Precision Ball Bearings
- Temperature Range: -40°F to +180°F
- Available in Anti-Static add "AS"



Part Number Swivel Caster	Part Number Swivel with Total Lock	Part Number Rigid Caster	Wheel Diameter (inch)	Tread Width (inch)	Load Capacity (lbs)	Overall Height (inch)	Swivel Radius (inch)	Swivel Radius w/Total Lock (inch)	Swivel Radius w/Wheel Brake (inch)
34SS42NN	34SS42NNTL	34SS42NN	4	2	1250	5-5/8	3-3/15	4	8-1/2
34SS52NN	34SS52NNTL	34SS52NN	5	2	1250	6-1/2	3-7/8	4	9-1/2
34SS62NN	34SS62NNTL	34SS62NN	6	2	1250	7-1/2	4-7/8	6	10
34SS82NN	34SS82NNTL	34SS82NN	8	2	1250	9-1/2	6-1/2	6	11-1/2

SS
WHEELS

STAINLESS STEEL WHEELS

- Type 304 Stainless Steel
- Non-magnetic & Non-sparking
- Excellent corrosion resistance
- Slightly crowned tread face with rounded corners

- Stainless Steel Precision Ball Bearings
- Temperature Range: 800°F

**Custom Stainless Steel Wheels
made to your specifications**

**V-Groove - VG
Flanged - FL**



Part Number Swivel Caster	Part Number Swivel with Total Lock	Part Number Rigid Caster	Wheel Diameter (inch)	Tread Width (inch)	Load Capacity (lbs)	Overall Height (inch)	Swivel Radius (inch)	Swivel Radius w/Total Lock (inch)	Swivel Radius w/Wheel Brake (inch)
34SS42SS	34SS42SS	34SS42SS	4	2	1250	5-5/8	3-15/16	4	8-1/2
34SS52SS	34SS52SS	34SS52SS	5	2	1250	6-1/2	3-7/8	4	9-1/2
34SS62SS	34SS62SS	34SS62SS	6	2	1250	7-1/2	4-7/8	6	10
34SS82SS	34SS82SS	34SS82SS	8	2	1250	9-1/2	6-1/2	6	11-1/2

SEN
WHEELS

SOLID ELASTOMER WHEEL NYLON CORE

- 70 Shore (D) durometer
- FDA standards for use in food processing environments
- 100% Washable

- Glass-filled nylon core insert endures heat
- High impact and abrasion resistant
- Resists oil, grease, water, and most solvents
- Stainless Steel Precision Ball Bearings
- Temp Range: -50°F to +180°F



Part Number Swivel Caster	Part Number Swivel with Total Lock	Part Number Rigid Caster	Wheel Diameter (inch)	Tread Width (inch)	Load Capacity (lbs)	Overall Height (inch)	Swivel Radius (inch)	Swivel Radius w/Total Lock (inch)	Swivel Radius w/Wheel Brake (inch)
34SS42SEN	34SS42SEN	34SS42SEN	4	2	900	5-5/8	3-15/16	4	8-1/2
34SS52SEN	34SS52SEN	34SS52SEN	5	2	900	6-1/2	3-7/8	4	9-1/2
34SS62SEN	34SS62SEN	34SS62SEN	6	2	900	7-1/2	4-7/8	6	10
34SS82SEN	34SS82SEN	34SS82SEN	8	2	900	9-1/2	6-1/2	6	11-1/2

KR
WHEELS

SOLID POLYURETHANE KRYPTONIC™ WHEELS

- Polyether Polyurethane has excellent carrying capacity.
- Crown shape affords an easy-rolling quiet operation
- Greater service life and resistance to chunking, cutting and abrasive wear

- 100% washable, steam cleanable, and resistant to most chemicals
- Non-marking tread
- Durometer: 58 Shore D (+/-5)
- Stainless Steel Precision Ball Bearings
- Temperature Range: + 250°F for up to a 1/2 hour.



Part Number Swivel Caster	Part Number Swivel with Total Lock	Part Number Rigid Caster	Wheel Diameter (inch)	Tread Width (inch)	Load Capacity (lbs)	Overall Height (inch)	Swivel Radius (inch)	Swivel Radius w/Total Lock (inch)	Swivel Radius w/Wheel Brake (inch)
34SS42KR	34SS42KR	34SS42KR	4	2	800	5-5/8	3-15/16	4	8-1/2
34SS52KR	34SS52KR	34SS52KR	5	2	900	6-1/2	3-7/8	4	9-1/2
34SS62KR	34SS62KR	34SS62KR	6	2	900	7-1/2	4-7/8	6	10
34SS82KR	34SS82KR	34SS82KR	8	2	900	9-1/2	6-1/2	6	11-1/2

OTHER TYPE WHEELS AVAILABLE FOR THIS SERIES:

NYLON FIBERGLASS (NG), NYLACRON™ MD (NY/MD), NYLACRON™ MONOCAST (NY/MC), HIGH TEMP PHENOLIC (TR) AND HEATEATER (HE)

SEE WHEEL SECTION FOR COMPLETE SPECIFICATIONS.

HE
WHEELS

HI-TEMP NYLON WHEELS

- Ideal for speciality applications
- Won't chip, absorbs water or breakdown in caustic environments

- Moderate crown, black finish
- Durometer: 85 Shore D +5
- Stainless Steel Rolling Bearings
- Temperature Range: up to +475°F



Part Number Swivel Caster	Part Number Swivel with Total Lock	Part Number Rigid Caster	Wheel Diameter (inch)	Tread Width (inch)	Load Capacity (lbs)	Overall Height (inch)	Swivel Radius (inch)	Swivel Radius w/Total Lock (inch)	Swivel Radius w/Wheel Brake (inch)
34SS42HEZB03	34SS42HEZB03	34SS42HEZB03	4	2	800	5-5/8	3-15/16	4	8-1/2
34SS52HEZB03	34SS52HEZB03	34SS52HEZB03	5	2	1000	6-1/2	3-7/8	4	9-1/2
34SS62HEZB03	34SS62HEZB03	34SS62HEZB03	6	2	1200	7-1/2	4-7/8	6	10
34SS82HEZB03	34SS82HEZB03	34SS82HEZB03	8	2	1400	9-1/2	6-1/2	6	11-1/2

RW
WHEELS

RETORT POLYPROPYLENE WHEELS

- Designed to withstand the rigors of high temperature
- Oversized bore ID ensures smooth movement even if wheels experience heat expansion

- Moderate crown, white finish
- Durometer: 75 Shore D
- Stainless Steel Rolling Bearings
- Temperature Range: -20°F to +290°F



Part Number Swivel Caster	Part Number Swivel with Total Lock	Part Number Rigid Caster	Wheel Diameter (inch)	Tread Width (inch)	Load Capacity (lbs)	Overall Height (inch)	Swivel Radius (inch)	Swivel Radius w/Total Lock (inch)	Swivel Radius w/Wheel Brake (inch)
34SS42RWZB03	34SS42RWZB03	34SS42RWZB03	4	2	500	5-5/8	3-15/16	4	8-1/2
34SS52RWZB03	34SS52RWZB03	34SS52RWZB03	5	2	1250	6-1/2	3-7/8	4	9-1/2
34SS62RWZB03	34SS62RWZB03	34SS62RWZB03	6	2	1250	7-1/2	4-7/8	6	10
34SS82RWZB03	34SS82RWZB03	34SS82RWZB03	8	2	1250	9-1/2	6-1/2	6	11-1/2

NG
WHEELS

GLASS FILLED NYLON WHEELS

- Injection molded, 30% glass filled nylon wheel
- 100% washable & steam cleanable, not affected by grease, oils, most chemicals & cleaning solutions, salt, brine & blood
- Extreme impact strength, good abrasion and compression resistance

- Offers a smooth ergonomic ride; requires less effort to start up and maintain a rolling load
- Durometer: 85 Shore D (+/-5)
- Stainless Steel Pedestal Precision Ball Bearings
- Temperature Range: -45°F to +250°F up to 3500 F, when used with all metallic bearings and high-temp grease



Part Number Swivel Caster	Part Number Swivel with Total Lock	Part Number Rigid Caster	Wheel Diameter (inch)	Tread Width (inch)	Load Capacity (lbs)	Overall Height (inch)	Swivel Radius (inch)	Swivel Radius w/Total Lock (inch)	Swivel Radius w/Wheel Brake (inch)
34SS42NG	34SS42NG	34SS42NG	4	2-3/16	800	5-5/8	3-15/16	4	8-1/2
34SS52NG	34SS52NG	34SS52NG	5	2-3/16	1000	6-1/2	3-7/8	4	9-1/2
34SS62NG	34SS62NG	34SS62NG	6	2-3/16	1200	7-1/2	4-7/8	6	10
34SS82NG	34SS82NG	34SS82NG	8	2-3/16	1400	9-1/2	6-1/2	6	11-1/2