

# ACORN™ DELUXE PLASTIC UTILITY CARTS

**550 LB. CAPACITY**

**EVENLY DISTRIBUTED LOADS**

**Made in the USA!**



**POLISHED CHROME OR POLISHED STAINLESS STEEL CASTERS**  
WITH STANDARD OR STAINLESS PRECISION BALL BEARINGS IN WHEELS  
EASILY INSTALLED PER INSTALLATION INSTRUCTIONS

## **Cart #270434 shown with**

**2 Swivel, 2 Directional Lock Swivel & 2 Total Lock with nylon brake pedals with precision ball bearings 5" TPR wheels.**

Other types of 02C Category wheels available.

### **Overall dimensions: 270434**

Usable tray space: 36" x 24"  
Overall Height: 35.5"  
Overall Width: 25"

### **Excellent for:**

- Hospitals/Health Care
- Kitchen Trolleys
- Food Carts
- Food Processing Plants
- Commercial Kitchens
- Laboratory Equipment
- Machine Shop Tool Carts
- Distribution Centers
- Assembly Areas

## **Cart #270433 shown with**

**2 Swivel, 2 Directional Lock Swivel & 2 Total Lock with nylon brake pedals with precision ball bearings 5" TPR wheels.**

Other types of 02C Category wheels available.

### **Overall dimensions: 270433**

Usable tray space: 30" x 16"  
Overall Height: 33.5"  
Overall Width: 16.5"

### **Features:**

- Available in two sizes: 16" x 30" & 24" x 36".
- Optional 3rd shelf.
- Heavy duty construction resists chips, dents & rust.
- Push handle has compartments to accommodate a variety of tools, labels, small parts, etc.
- Shipped KD, boxed, and includes
  - QTY 2 - Y380XP51CR/TPR5 5" TPR wheel with foot operated Total Lock with nylon pedals.
  - QTY 2 - Y380XDP51CR/TPR5 5" TPR wheel with foot operated one position Directional Lock to act like a rigid.
- Shelf depth 2.625".

**Easy to assemble Deluxe Plastic Utility Carts.**

**Complete set of parts are provided if sold unassembled.**

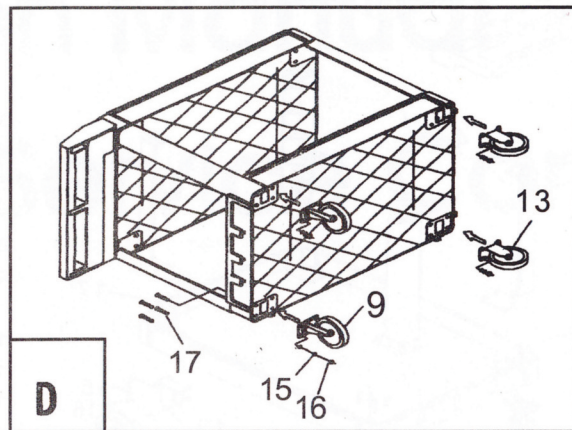
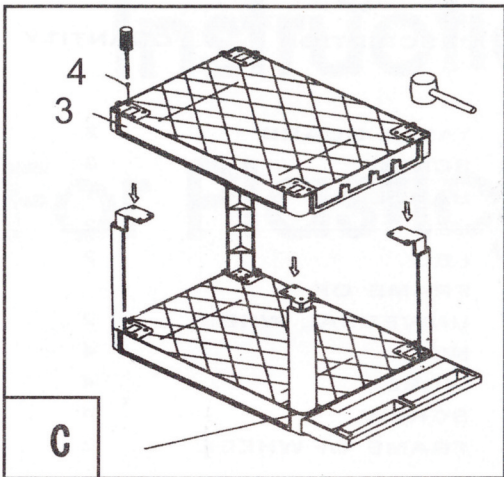
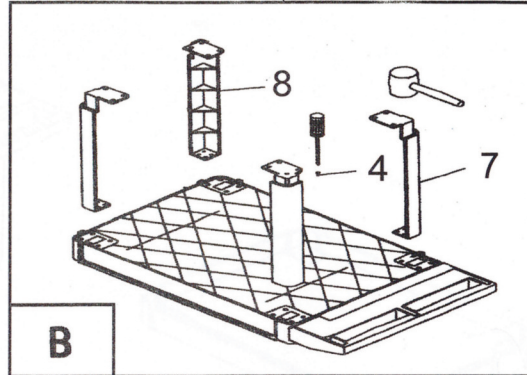
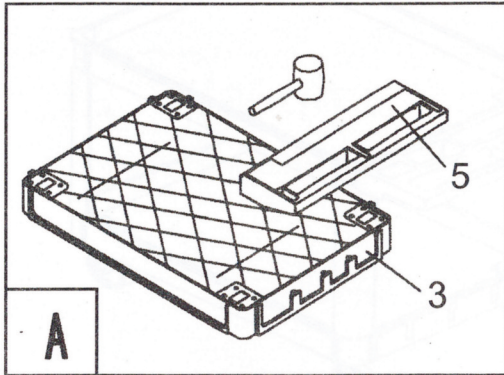
**Also available assembled.**

**In stock and ready for delivery.**

**Instruction Manual included.**



**5" TPR wheel w/Directional Lock**



**Acorn has better replacement casters and wheels for any material handling cart or equipment.**

**Replacement casters for existing plastic carts with all necessary hardware to install.**

**QTY 2 - Y380XP51CR/TPR5 5" TPR wheel with foot operated Total Lock with nylon pedals.**

**QTY 2 - Y380XDP51CR/TPR5 5" TPR wheel with foot operated one position Directional Lock to act like a rigid.**



**5" TPR wheel w/Total Lock**