

Nitto Kohki HAIRLINERS

Acorn Industrial Products Co

520 Hertzog Boulevard | King of Prussia, PA 19406

Phone 800-523-5474 | **Fax** 800-782-6780

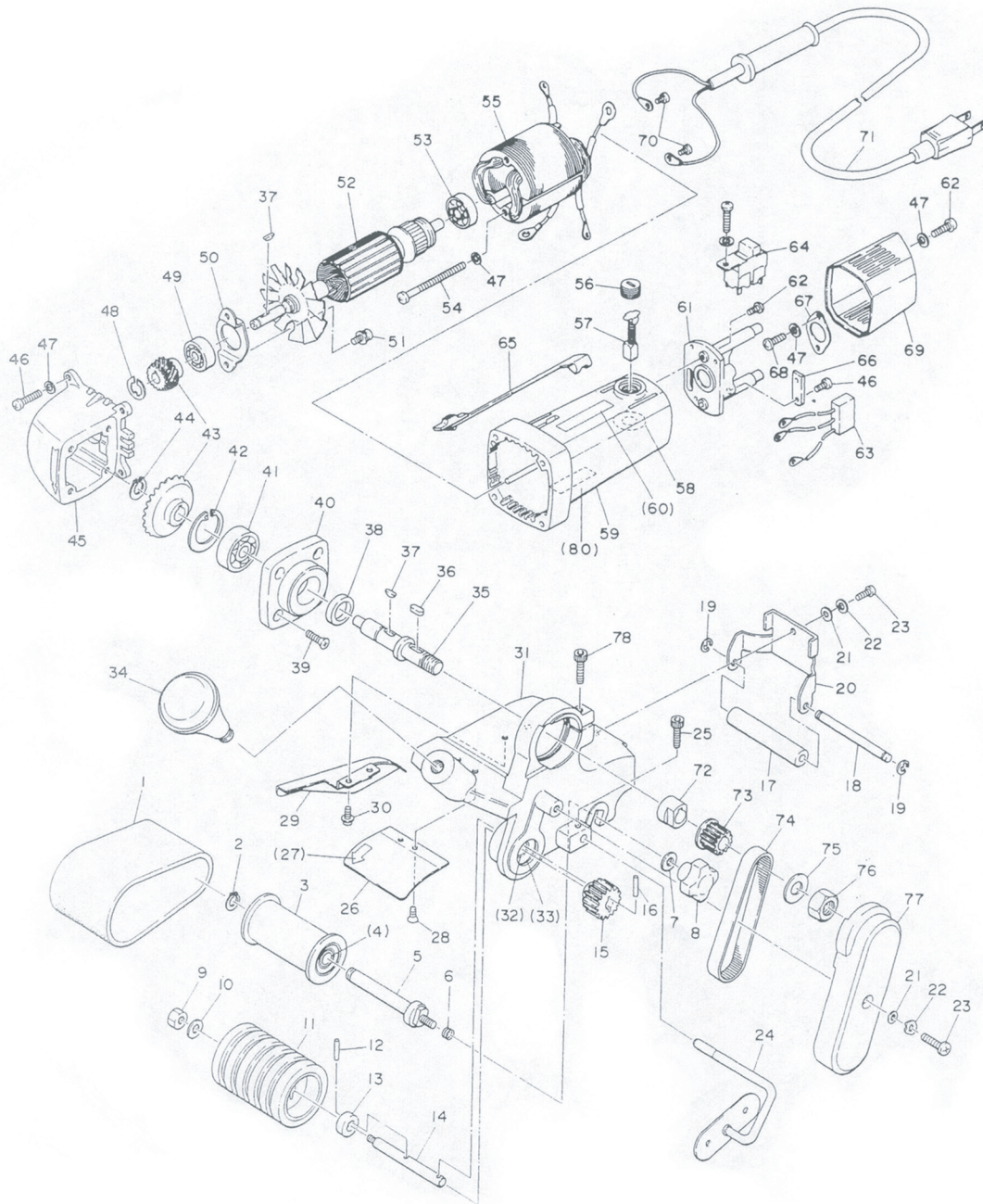
E-Mail acorn@acornindprod.com | **Web** acornindprod.com



Model	EHL-60
Power Supply (Single)	110V
Power Consumption	510 watts
Rated Current	5.2A
Belt Speed (no load)	3,084 FPM
Belt Size	2-3/8" x 10-3/8"
Weight	6.8 lbs.
Accessories Included	finishing belt, 4mm allen wrench

- Hairliner used for grain finishing stainless steel surfaces
- Ideal for grain finishing stainless steel surfaces
- Lightweight and compact design
- Uses non-woven belts
- Straight guide for consistent grain blending
- Tool-free belt change

HAIRLINER EHL-60 ASSEMBLY AND PARTS LIST

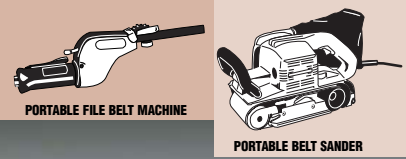


The Part Numbers with () are included in the Ass'y parts written above them.

No.	Part No.	Part Name	Q'ty	Price
1	TQ01665	Finishing Belt AM (#200)	1	
2	TQ01646	Retaining Ring STW-8	1	
3	TB04585	Idle Pulley Sub Ass'y	1 set	
4	(TQ01685)	Ball Bearing 608VV	2	
5	TQ01645	Idle Shaft	1	
6	TQ01647	Spring 0.5 X 7.1 X 4	1	
7	TQ01598	Washer 6.3 X 24 X 3.2	1	
8	TQ01648	Knob	1	
9	TP01924	Hex. Nut M6	1	
10	TP00092	Plain Washer M6	1	
11	TB02372	Drive Pulley Ass'y	1 set	
12	TP15729	Spring Pin 3 X 14	1	
13	TQ01653	Spacer 8 X 16 X 4	1	
14	TQ01640	Drive Shaft	1	
15	TQ03073	Belt Pulley 32	1	
16	TP11958	Parallel Pin 7A3 X 12	1	
17	TQ01670	Roller	1	
18	TQ01650	Roller Shaft	1	
19	TQ01651	E-Ring ETW-5	2	
20	TQ01649	Roller Bracket	1	
21	TP00144	Plain Washer M4	2	
22	TP04075	Washer M4	2	
23	TP02638	+ Screw 4 X 12	2	
24	TQ01659	Guide	1	
25	TP00200	Hex. Bolt 5x8	1	
26	TB01183	Front Cover Ass'y	1 set	
27	(TP12437)	Direction Label	1	
28	TP05712	+ Screw 4 X 6	2	
29	TQ01657	Side Cover	1	
30	TQ01154	+ Pan Head Screw 4 X 8	2	
31	TB02368	Housing Sub Ass'y	1 set	
32	(TQ01685)	Ball Bearing 608VV	2	
33	(TP04684)	Retaining Ring C-22	1	
34	TA93017	Knob Ass'y	1 set	
35	TQ00827	Spindle	1	
36	TQ01370	Sunk Key 4x4x18 Round End	2	
37	TP03755	Woodruff Key 2.5 X 10	1	
38	TP16195	Dust Seal	1	
39	TP02750	+ Screw 4 X 12	4	

No.	Part No.	Part Name	Q'ty	Price
40	TP16119	Bearing Case	1	
41	TP03675	Ball Bearing 6200ZZ	1	
42	TP01173	Retaining Ring C-30	1	
43	TB01097	Pinion & Gear Ass'y	1 set	
44	TP04595	Retaining Ring C-10	1	
45	TB00609	Gear Case Sub Ass'y	1 set	
46	TP16208	Tapping Screw 4 X 16	6	
47	TP04234	Washer M4	10	
48	TQ00422	Bowed E-Ring	1	
49	TP11779	Ball Bearing 62900	1	
50	TP16252	Bearing Supporter	1	
51	TP11245	+ Screw 4 X 10	2	
52	TA99913	Armature Ass'y (115V)	1 set	
53	TP16251	Ball Bearing 627ZZ	1	
54	TP16254	Screw 4x60	2	
55	TA99915	Field Ass'y	1 set	
56	TP16213	Brush Cap	2	
57	TA9A633	Carbon Brush Ass'y (2 pcs)	1 set	
58	TP16266	Insulation Sheet Metal	2	
59	TP16253	Motor Case Ass'y	1	
60	(TP16216)	Nitto Label	1	
80	(TQ03084)	Model Number Label	1	
61	TP16256	Insulation Stand	1	
62	LP12832	+ Screw 4 X 14	4	
63	TP16263	Capacitor CB-130E	1	
64	TA99917	Switch Ass'y	1 set	
65	TA99916	Switch Lever Ass'y	1 set	
66	TP16261	Cord Clamp	1	
67	TP16262	Cord Stopper	1	
68	TA91575	+ Screw 4 X 8	2	
69	TP16255	Motor Cover	1	
70	TP16292	Screw 3.5 X 8	4	
71	TA99918	Cabtyre Cord Ass'y (115V)	1 set	
72	TQ03260	Spacer	1	
73	TB02377	Belt Pulley Ass'y	1 set	
74	TQ03077	Timing Belt	1	
75	TQ03258	Flange D	1	
76	TQ03259	Hex. Nut M10 X 1.25	1	
77	TQ03075	Belt Cover	1	
78	TP05474	Hex. Socket Bolt	1	

FILE AND PORTABLE BELTS



PORTABLE FILE BELT MACHINE

PORTABLE BELT SANDER

File belt specifications to perform on the most demanding, intricate shapes, profiles and materials. Portable belts are ideal for all your metal and woodworking applications.

Typical File Belt Applications

- Light weld removal and blending
- Shape and contour sanding
- Surface preparation prior to coating and plating
- Removing cutting tool marks from molds and dies
- General clean-up and finishing

Typical Portable Belt Applications

- Grinding and finishing of all metals
- Blending of welds
- Sanding and finishing of wood
- Glass seaming and polishing



BEST Norton SG Blaze R980 Belts – For greatest productivity

FEATURES	BENEFITS
<ul style="list-style-type: none"> • Next generation cooler cutting SG ceramic abrasive grain 	<ul style="list-style-type: none"> • Lasts 50% to 200% longer on mild and carbon steel, stainless, cobalt, chrome, inconel and titanium • Cuts 20% faster than the current generation of grinding belts • Longer belt life • Better metal integrity • Greater productivity; lowest total grinding costs
<ul style="list-style-type: none"> • Improved Y-wt polyester waterproof cloth backing 	<ul style="list-style-type: none"> • Significantly improved belt life due to better grain adhesion • Edge-fray resistance • Improved body retention during use for more consistent grinding throughout belt life
<ul style="list-style-type: none"> • Improved resin bond system 	<ul style="list-style-type: none"> • Improved grain-retention; cooler cutting during the life of the belt
<ul style="list-style-type: none"> • Advanced “supersize” grinding lubricant 	<ul style="list-style-type: none"> • Cooler cutting during the life of the belt • Improved part finish and integrity



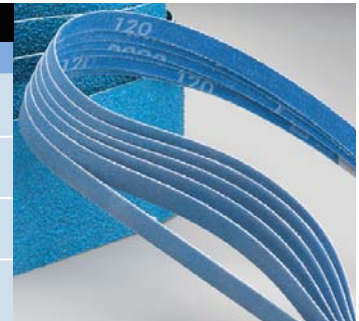
BEST Norton SG R981 Belts – Ideal for heat-sensitive jobs

FEATURES	BENEFITS
<ul style="list-style-type: none"> • Patented Norton SG ceramic aluminum oxide abrasive 	<ul style="list-style-type: none"> • Exceptional life and value, especially on hard-to-grind alloys • Aggressive cut rate • Sharpness maintained throughout life of the belt
<ul style="list-style-type: none"> • Grinding aid coating 	<ul style="list-style-type: none"> • Cooler cut, burn-free grinding of heat-sensitive materials • Minimizes loading
<ul style="list-style-type: none"> • Durable Y-wt polyester, waterproof cloth backing 	<ul style="list-style-type: none"> • Improved grain adhesion, reduced edge-fray and better body retention, result in longer life and product consistency



BETTER NorZon Plus R823 Belts – The choice for stainless steel

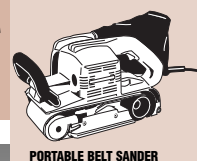
FEATURES	BENEFITS
<ul style="list-style-type: none"> • Premium, self-sharpening zirconia alumina abrasive 	<ul style="list-style-type: none"> • Aggressive, rapid cut rate
<ul style="list-style-type: none"> • Strong grain adhesion, durable grain coating 	<ul style="list-style-type: none"> • Longer life
<ul style="list-style-type: none"> • Waterproof for use on a broad range of materials 	<ul style="list-style-type: none"> • Versatile
<ul style="list-style-type: none"> • Strong X-wt polyester backing, available in finer grit range 	<ul style="list-style-type: none"> • For moderate to heavy pressure applications



FILE AND PORTABLE BELTS



PORTABLE FILE BELT MACHINE



PORTABLE BELT SANDER

BETTER NorZon Plus 3X Belt Job Packs	
FEATURES	BENEFITS
• Premium, self-sharpening, zirconia alumina abrasive	• Aggressive, rapid cut rate, long life
• Reversible butt splice	• Use in either direction for longer life
• Open coat design, strong Y-wt backing	• Reduced loading, extended life
• Tri-lingual, job specific application information	• Simplifies selection
• Durable packages	• Minimize waste and damage • Better product visibility • Portable; ideal for wall merchandising and carrying to the job site



GOOD Metalite R228 Belts – For metal and wood	
FEATURES	BENEFITS
• Aluminum oxide abrasive	• Aggressive cutting; resistant to heat
• Strong X-wt cotton backing	• Versatile



GOOD Metalite R283 Belts – Versatility for all MRO applications	
FEATURES	BENEFITS
• P-graded premium aluminum oxide abrasive	• Consistent, cool cut
• Semi-flexible backing	• Tear and fray resistant



GOOD Aluminum Oxide – All Purpose Belt Job Packs	
FEATURES	BENEFITS
• Aluminum oxide abrasive	• Tough and durable, with an aggressive cutting action
• X-wt cotton backing	• Versatile; ideal for metal and wood
• Tri-lingual, job specific application information	• Simplifies selection
• Durable packages	• Minimize waste and damage • Better product visibility • Portable; ideal for wall merchandising and carrying to the job site



Recommended Grit Selection

ROUGH/HEAVY-DUTY	INTERMEDIATE	FINISHING/POLISHING
36–50	60–100	100–120

File and Portable Belt Competitive Cross Reference

NORTON	3M	HERMES	KLINGSPOR	SAIT	SIA	VSM
FILE AND PORTABLE BELTS						
Norton SG Blaze R980	977F, 967F, 987F1	CR456	CS610YY			SK840X, SK750X
Norton SG R981	987F, 963G, 963H, 967F					
ADDITIONAL FILE BELTS						
NorZon Plus R823	551E Cubicut XE	RB844Y	CS411YX			KK715X
Metalite R283	231D, 241E, 261E 311ED, 331D, 351E, 353E	RB317J, RB316EJ RB303 Flex	CS310XF		933A, 936A	KK711T, KK511J
ADDITIONAL PORTABLE BELTS						
NorZon Plus Job Pack	561D Y, 568D Y, 761D	RB484TY	CS411X	ZH		
Metalite R228	240DZ OPK, 260DZ OPK 241D, 248D, 251D 3411, 351D	RB316XOP RB372YOP RB346MX	CS311X CS310Y CS410	AOX IAX	2903XO 2905X 2920X 2928Y	KK511X KK711X
All Purpose Job Pack	270D, 270DZ, 272DZ 260D, 362RZ	RB316-34XOP	CS311X CS413Y			KK524X



PORTABLE FILE BELT MACHINE

File Belts 1/4" to 1" Wide, 12" to 30" Long

SIZE W X L	GRIT	MIN./ STD. PKG.	BEST SG BLAZE R980†		BEST SG R981†		BETTER NORZON + R823†		GOOD METALITE R283*	
			UPC NO.	JOINT/ FLEX	UPC NO.	JOINT/ FLEX	UPC NO.	JOINT/ FLEX	UPC NO.	JOINT/ FLEX
1/4 x 24	60 120	50/200			78072756534	PG, S	78072728552 78072728550	PG, S PG, S	78072727548	PG, L
3/8 x 13	60 80	50/200					78072740295 78072736062	PG, S PG, S		
1/2 x 12	40 50 60 80 100 120	50/200	69957398018 69957398019 69957398020	PG, S PG, S PG, S	78072718700 78072718701 78072718702	PG, S PG, S PG, S	78072728745 78072728744 78072728742	PG, S PG, S PG, S	78072727557	PG, L
1/2 x 18	40 60 80 120	50/200	69957398021 69957398022 69957398023	PG, S PG, S PG, S	78072718704 78072718705 78072718706	PG, S PG, S PG, S	78072728569 78072728568 78072728567	PG, S PG, S PG, S	78072727561 78072727560 78072727559 78072727558	PG, L PG, L PG, L PG, L
1/2 x 24	40 50 60 80 100 120	50/200	69957398024 69957398025 69957398026	PG, S PG, S PG, S	78072718707 78072718708 78072718709 78072718710	PG, S PG, S PG, S PG, S	78072728564 78072728566 78072753076 78072728565	PG, S PG, S PG, S PG, S	78072727568 78072727567 78072727566 78072727565 78072727564	PG, L PG, L PG, L PG, L PG, L
3/4 x 18	40 60 80	50/200	69957398027 69957398028 69957398029	PG, S PG, S PG, S	78072745691 78072756309	PG, S PG, S	78072709590 78072758953	PG, S PG, S		
3/4 x 20-1/2	40 50 60 80 100 120	50/200	69957398030 69957398031 69957398032	PG, S PG, S PG, S	78072718714 78072718715 78072718716	PG, S PG, S PG, S	78072728560 78072728559 78072728557	PG, S PG, S PG, S	78072727573	PG, L
1 x 12	60	50/200					78072753073	PG, S		
1 x 24	50	50/200			78072710374	PG, S				
1 x 30	60 80 120	50/200					78072728583 78072728582	PG, L PG, L	78072727579 78072727577	PG, L PG, L

REFER TO PAGE 82 FOR JOINT AND FLEX DESCRIPTIONS.
* P-GRADED † WATERPROOF



Starting Recommendations by Material

MATERIAL	HEAVY-DUTY	GENERAL-DUTY
Carbon Steel	Norton SG R981	Metalite R283, R228
Stainless Steel/Alloys	Norton SG Blaze R980	NorZon Plus R823
Cast Iron	Norton SG R981	Metalite R283, R228
Brass/Bronze	NorZon Plus R823	NorZon Plus R823
Aluminum	NorZon Plus R823	Metalite R283
Wood	NorZon Plus R823	Metalite R228

Troubleshooting Guide

PROBLEM	POSSIBLE CAUSES	CORRECTION
Belt splice breakage	Tension too tight	Reduce tension
Reduced belt life	Too fine a grit Too high pressure	Use coarser grit Reduce pressure