



INNOVATIVE SOLUTIONS CASTERS & WHEELS

MADE IN USA

Our mission is to provide ergonomic & safety solutions for all caster and wheel applications.



Service before, during and after the sale since 1957.

INDEX

INTRODUCTION	Page
• Ergonomic & Safety.....	4
• Engineering Assistance.....	5
• Acorn™ Custom Wheels.....	6
• Precision Ball Bearing Wheels.....	7
• Kingpinless Swivel Section.....	8
• Heavy Duty Kingpinless Casters.....	9
• Total Lock Stainless Steel Casters.....	10
• Nylacron™ Wheels.....	11
• Caster Application Considerations.....	12
• Recommended Load Ratings.....	13
• CAD Drawings.....	14
• Benefits of an Acorn™ In-plant Application Assistance.....	15
• Overview of USA Caster Industry.....	16

CATEGORY 1 – LIGHT DUTY CASTERS

Capacity from 150 to 400 lbs.

Category: Institutional

Types: Kingpin

CATEGORY 2 – LIGHT DUTY CASTERS

Capacity to 300 lbs.

Category: Institutional

Types: Kingpin / Stainless Steel

CATEGORY 3 – MEDIUM DUTY CASTERS

Capacity to 600 lbs.

Category: Institutional / Industrial

Types: Kingpin / Stainless Steel

CATEGORY 4 – MEDIUM DUTY CASTERS

Capacity to 2000 lbs.

Category: Institutional / Industrial

Types: Kingpin / Kingpinless /
Stainless Steel

CATEGORY 5 – HEAVY DUTY CASTERS

Capacity to 2000 lbs.

Category: Industrial

Types: Kingpin / Kingpinless /
Stainless Steel

CATEGORY 6 – HEAVY DUTY CASTERS

Capacity to 5000 lbs.

Category: Industrial

Types: Kingpin / Kingpinless /
Stainless Steel /
Spring Loaded Rigs

CATEGORY 7 – HEAVY DUTY CASTERS

Capacity to 10,000 lbs.

Category: Industrial

Types: Kingpin / Kingpinless /
Spring Loaded Rigs

CATEGORY 8 – EXTRA HEAVY DUTY CASTERS

Capacity to 15,000 lbs.

Category: Industrial

Types: Kingpin / Kingpinless /
Spring Loaded Rigs

CATEGORY 9 – EXTRA HEAVY DUTY CASTERS

Capacity to 20,000 lbs.

Category: Industrial

Types: Kingpin / Kingpinless /
Spring Loaded Rigs

CATEGORY 10 – EXTRA HEAVY DUTY CASTERS

Capacity to 40,000 lbs.

Category: Industrial

Types: Kingpin / Kingpinless

11 - WHEELS

	Page
Nylacron™	4-17
Vulkollan®	20
Load/Drive wheels.....	22-23
Heavy Duty wheels	24-25
Pallet rollers	26-27
Press-On Tires	28-29
Pallet rollers	30
Premium Urethane/Polyurethane Wheels	31
Premium Urethane/Premium Soft.....	32-34
Swivel-Eaz™ (Dual-in-One)	36-37
Polyurethane/Cast Iron.....	38-42
Polyurethane/Aluminum.....	43-44
Polyurethane	45-56
Solid Polyurethane Wheels	57
Kryptonite™	58
Solid Elastomer.....	59-62
Engineered Plastic Wheels	63
Nylacron™ Wheels Euro Dimensions.....	64
Electrically Conductive Wheels.....	65
Nylacron™ Pallet Rollers.....	66
Nylacron™ Conveyor Rollers.....	67-68
Urethane Wheels.....	69-70
Plastic Wheels.....	71
Nylon/Glass- Filled.....	72
Hi-Temp Nylon/Heateater.....	73
Lava™ Wheels.....	74
Polypropylene.....	75
Retort	76
Plastic Wheels.....	77

WHEELS	Page
Rubber Wheels	79
Elastic Rubber/Aluminum.....	80-81
Moldon Rubber/Cast Iron.....	82-83
Moldon Rubber/Aluminum.....	84-85
X-tra Soft Rubber	86-88
Rubber/Polypropylene Core	89-90
Rubber Wheels.....	91-94
Phenolic	95
Phenolic	96-99
Metal Wheels	101
Forged Steel	102-103
Ductile Iron	104-105
Cast Iron	106-109
Steel Wheels	110-112
Stainless Steel.....	113
Pneumatic Wheels	115
Pneumatic	116-118

12 - SPECIALTY CASTERS & PRODUCTS

Dolly Casters	2
Stage/Scene Shifting Casters	3
Gate & Ladder Casters	4
Leveling Casters.....	5-8
Diecast Leveling Casters	9-10
New Concept Leveling Casters.....	11-12
V-Groove Casters.....	13-14
Kingpinless Pneumatic Casters.....	15-16
Turntables.....	17
Floor Locks	18-19
Leveling Jacks.....	20
Bumpers.....	21-22
Couplers.....	23

ERGONOMIC & SAFETY

Acorn™ is an industry leader in ergonomics and safety in all products.

To avoid injury, keep the following to a minimum:

Pushing Pulling Bending

Foot-Operated Swivel Lock

- Avoid pinching fingers or having to bend over to engage the swivel lock.
- The swivel lock allows for straight travel over long distances.

Foot-Operated Total Lock

- Completely locks the caster, immobilizing both the wheel and the swivel section.
- Adjustable to account for wheel wear.

Attachable Toe Guard

- Prevents feet from accidentally being rolled over under load and minimizing work place accidents.



ENGINEERING ASSISTANCE

Customer Support

Our experienced team is available to help you quickly answer any questions regarding any of our products.

Design Assistance

Our engineers are available to help you select the right caster or wheel for any application or project.

Technical Application Assistance

Acorn™ will help you with any application.

Technical Drawings

CAD drawings are available on most of our casters and wheels, standard and custom.

Quality Control

Everything is inspected prior to shipment. All products are guaranteed to work properly when used within guidelines.

Material Certifications

Acorn™ can supply material certifications with any product to conform to compliance regulations such as RoHS.



CALL 800.523.5474

OR VISIT OUR WEBSITE

WWW.ACORNINDUSTRIALPRODUCTS.COM

INNOVATORS OF THE NYLACRON™ WHEEL



Nylacron™ Wheels

**With Precision Ball Bearings
for Any Application
(NY/MD, NY/HSB, NY/MC, NY/GF)
Load Capacity up to 40,000 lbs.**

Nylacron™ wheels with proper sized precision bearings are made to fit in any rig hub length and axle size. Nylacron™ wheels have greater load capacity ratings with better rollability while requiring less maintenance and have longer life. Heavy duty cast nylon wheels have the strength of steel and about one third of the weight of steel.

Sizes: Any size and shape, metric, standard or custom.



NYLACRON™ WHEELS WITH SEALED PRECISION BEARINGS

Nylacron™ Wheels

Nylacron™ (NY/MD) MOS₂

Nylacron™ (NY/HSB) Heat Stabilized Blue

Nylacron™ (NY/MC) Monocast

Not Shown: Nylacron™ (NY/GF) Glass Filled

PRECISION BALL BEARINGS are best used for rollability and moderate side thrust. When larger side thrusts are encountered, double row precision ball bearings can be applied in the hub or larger precision ball bearings can be utilized. The bearings are pre-lubricated and sealed, thus reducing maintenance costs.

Precision Ball Bearing Wheels are much easier to install than Tapered Bearings and require no maintenance while in use.

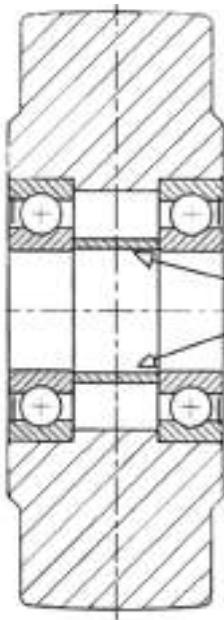
NYLACRON™ replaces Roller Bearings and Tapered bearings today in the majority of Vulkollan™, Premium Urethanes, Solid Elastomer, Elastic Rubber, Pneumatic, Nylacron™, Monocast, Steel and Stainless Steel Wheels when less maintenance, less downtime and ease of rollability is sought.

THE LARGER THE PRECISION BALL BEARING THE GREATER THE BEARING LIFE FOR THE SAME LOAD.

SMALL DIAMETER CASTER WHEELS should have large diameter bearings, similar to pallet wheels for easier rolling under load. Sealed precision ball bearings are shielded to retain the grease and to exclude grit and dust, etc.

PRECISION BALL BEARING WHEELS ARE MUCH EASIER TO PUSH OR PULL and have very low resistance, even under heavy loads. Wheel performance is excellent right up to the maximum load limit of the wheel.

Dual Seal Precision Ball Bearings with Center Piece (end caps not shown)



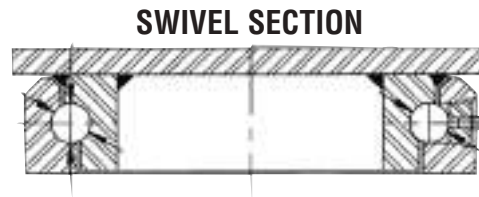
AN INNER SPACER BUSHING is used to pre-load the inner races of each bearing and is done on assembly, so further adjustment is not necessary. **END CAPS ARE PROVIDED TO MATCH RIG HUB LENGTH AND AXLE SIZE.**

THE WEAR OF THE PRECISION BALL BEARINGS is so slight, that even under continuous use, they do not require replacement.

PRECISION STAINLESS STEEL BALL BEARINGS AVAILABLE IN ALL SIZES NYLACRON™ NY/MD & NY/MC WHEELS

KINGPINLESS™ SWIVEL SECTION

Kingpinless™ Casters are particularly well-suited for any type of power-towed applications where impact and shock loading cause failure in conventional king bolt swivel casters.



In direct static loading, as a load is placed on the caster, the forces are initially transmitted to the rearward balls. Due to the fact that the balls ride on an incline, they tend to climb up the incline. This pulls the yoke to the rear of the caster. As this occurs, part of the load is transmitted around the bearing to the front of the caster. This gives distribution of the load over the entire swivel bearing instead of just the rear balls.

When thrust forces occur, as when the caster is swiveled or it hits an obstruction, these forces will push the yoke backwards in an attempt to rotate the yoke. The yoke is pulled down on the front part of the bearing and pushed up in the back. In this way, the thrust is distributed over the entire bearing.

KINGPINLESS™ DESIGN BENEFITS

Reduction in caster failures

Greater caster service life

Easier swivel motion

Eliminates kingpin tightening and maintenance

Reduced caster shimmy and shake

Optional Top Plates, OAH, Hub Lengths and Swivel Radius in both USA and EURO standards.

Kingpinless™ Casters allow for greater load distribution, easier swiveling, and eliminates the number one cause of swivel caster failure.

UP TO 40,000 LOAD CAPACITY

FOR HEAVY DUTY, HIGH IMPACT, AND TOWING APPLICATIONS

KINGPINLESS™ RACEWAY DESIGN Diameters and Ball Bearing Sizes

CATEGORY 4 Load Capacity to: 2,000 lb.
Raceway: 2-3/8" diameter with 3/8" ball bearings

CATEGORY 5 Load Capacity to: 2,000 lb.
Raceway: 2-3/4" diameter with 1/2" ball bearings

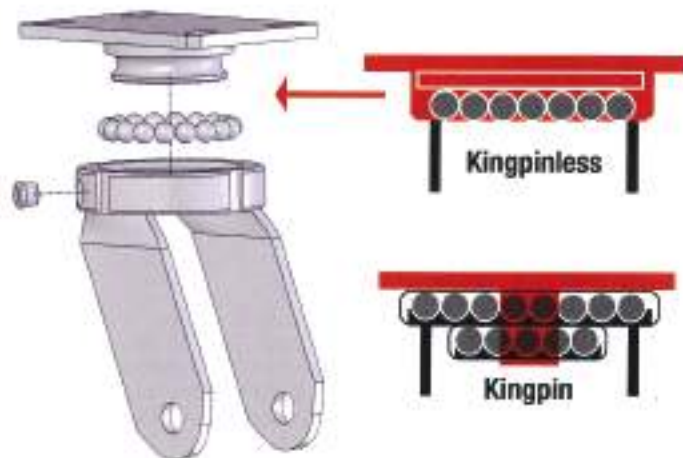
CATEGORY 6 Load Capacity to: 4,000 lb.
Raceway: 3" diameter with 1/2" ball bearings

CATEGORY 7 Load Capacity to: 5,000 lb.
Raceway: 4-1/4" diameter with 5/8" ball bearings

CATEGORY 8 Load Capacity to: 10,000 lb.
Raceway: 4-1/2" diameter with 5/8" ball bearings

CATEGORY 9 Load Capacity to: 20,000 lb.
Raceway: 4-1/2" diameter with 3/4" ball bearings

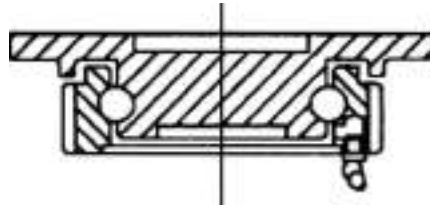
CATEGORY 10 Load Capacity to: 40,000 lb.
Raceway: 7" diameter with 3/4" ball bearings



HEAVY DUTY KINGPINLESS™ CASTERS

Heavy Duty Kingpinless™ Casters are the Best Value Choice

for performance ergonomics, safety and less cost in use for AGV Stabilizing Casters, Gantry Crane Casters, Dual Wheel Casters, Nylacron™ Casters or Pneumatic Casters.



**Total Lock
Kingpinless™
Caster**



**Vulkollan™ Tread
Dual Wheel
Kingpinless™
Swivel Caster**



**Nylacron™
Heavy Duty
Kingpinless™
Swivel Caster**

PRECISION BALL BEARING WHEELS



Vulkollan™ with Desmodur®

Vulkollan™ is the best of the urethane wheels (600% plus elongation to rupture) with dual sealed, pre-loaded precision ball bearings for heavy duty and speeds above 8 mph. AGV's, HD Power Towing, Lift Trucks, Pallet trucks, Press-ons, Drive Wheels.

Sizes to: 36"

Capacities: to 20,000 lbs

Available in: Electrically Conductive Black.

See our Vulkollan™ section for more application information.



Kryptonite™

Custom Polyether Polyurethane with excellent load capacities to 1500 lbs. Easy rolling, quiet operation and excellent for normal and moderate high temperature washdown conditions up to 250° F. Extensive use in Bakeries, Food Service, Pharmaceutical, Health Care Industries.

Available with: Standard and Stainless Steel bearings.

See our wheel section for NEW Kryptonite straight-sided wheels with precision ball bearings.

Standard or Stainless Steel



Elastic Rubber Aluminum/Nylon Core

Super elastic rubber tread wheels with precision ball bearings are rapidly replacing moldon rubber tread wheels. Vulcanized, for non-detachable bond, higher loading, smoother riding, low rolling resistance and are non-marking.

Available in: Blue (Standard), Black, Green or Gray Treads.

See our wheel section for wheel specifications.



Premium Urethane Donut Tread Wheels

Effortless rolling, very low push-pull efforts. Excellent performance for manual / power towing. Non-marking and floor protective.

Sizes: 4" - 12"

Durometers: 93° ± 3° Shore A, Softer 83° ± 3° shore A, and harder 73° ± 3° Shore D

Capacities: to 3,520 lbs.

Available in: Cast Iron and Aluminum Cores. Electrically Conductive Black

See our wheel section for wheel specifications.



Nylacron™

Nylacron™ wheels, with and without urethane tread have low rolling resistance and excellent corrosive resistance to many substances. Under normal conditions, they are maintenance free with dual sealed precision ball bearings. Extensive use in Food Service, Bakeries, Meat packing.

Available with: Standard and Stainless Steel bearings. Electrically Conductive Black

See our wheel section for wheel specifications.

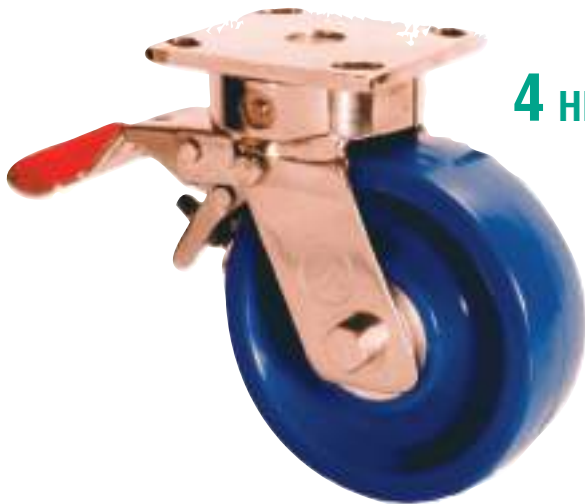
STAINLESS STEEL TOTAL LOCK CASTERS

Pharmaceutical
Health Care
Food Service

Stainless Steel
Kingpinless Casters

Stainless Steel
Total Lock Brakes

2 POLISHED CHROME / POLISHED STAINLESS STEEL



4 HEAVY DUTY STAINLESS STEEL

Stainless Steel Kingpinless™
Caster with Kryptonite™ Wheel
and Adjustable Total Lock Brake

CASTER APPLICATION CONSIDERATIONS

LOAD WEIGHT

The first consideration of caster selection is to determine the combined weight of the load and equipment. Allowance should be made for uneven distribution of weight, since this can result in one wheel carrying more load than the rest. Mechanical loading can also impose severe shock loading, which adds to the loading factor. Two charts to aid in this selection are: **CASTER MOUNTING COMBINATIONS** and **DETERMINING LOAD RATINGS PER WHEEL**. Please note in the load rating chart for extreme conditions, ratings take into consideration uneven floors, curbs and holes in the floor which cause severe impact loads.

TIPS ON WHEEL SELECTION

In general, the greater the load, the larger the wheel diameter should be for better weight distribution and easier rolling.

- Larger wheels roll easier than small wheels.
- Hard treads roll easier than soft treads.
- Resilient treads roll over rough surfaces more easily than hard treads.
- Larger wheels with larger bearings give longer life and easier rolling.

ELECTRIC CONDUCTIVITY

Insulant materials with a resistivity greater than 10^{15} ohms, such as plastics, build up a charge by friction. The electrostatic charge is discharged through the body when the object is touched. This can be prevented by the use of electrically conductive (anti-static) wheels, which conduct the charge away or prevent it from building up. Electric conductive wheels have a leakage resistance equal to or less than 10^4 ohms. Electric conductive rubber wheels are subject to 100% quality control inspection, each being tested at 500v DC.

FLOOR CONSIDERATIONS

All metal wheels will damage floors if the load is heavy. Resilient wheels are not so easy to move, but are floor protective. Remember, it costs more to repair the floor than the wheel running on it. Make sure the wheels selected are large enough to pass over the cracks in the floor, tracks, dock plates, grates, moldings or other obstructions. In some cases, dual wheels are the best for the application. The larger the wheel and the more resilient the wheel, the greater the ability to move over rails and other similar objects.

RUBBER & URETHANES give maximum quiet and floor protection. Steel is the hardest on floors, thus Nylacron™ is a great compromise - giving moderate floor protection with high weight capacity. For floor protection on linoleum, tile, etc. use cushion neoprene or polyurethane. For carpeted floors, use donut or hi-modulus neoprene or polyurethane.

Other Considerations:

- Noise
- Dirt, chips, threads or other detrimental substances
- Grease, oil, water or chemicals.
- Temperature extremes

TYPE SERVICE

Intermittent: Occasionally moved loads, short travel distances or for dollies used to move materials in storage or warehouse operations.

Continuous: For continuous service, either manually or mechanically powered, a heavier duty caster with anti-friction bearings is necessary.

MECHANICALLY POWERED TRAILER-TYPE

This type of operation requires special heavy duty construction with large swivel bearings to withstand the high impact and shocks encountered. Large Precision Ball Bearings should be considered in the swivel for main load bearing and a tapered thrust bearing for side thrusts. Large Precision Ball Bearings are recommended for wheel bearings to take the side thrust loads and higher speeds, as well as being maintenance free.

INSTITUTIONAL









Most institutional application require medium duty casters. In wet applications or for excessive washings, cart washables or stainless steel casters may be required. A lower cost alternative to stainless steel casters could be epoxy-coated rigs with Nylacron™, Nylon, Solid Elastomer or Krypton™. Wheels having Stainless Steel Sealed Precision Ball Bearings.

RECOMMENDED LOAD RATINGS

The main parameters for determining proper caster loading are rig arrangements and floor conditions. To provide a guide, eight typical truck or cart arrangements are shown below.

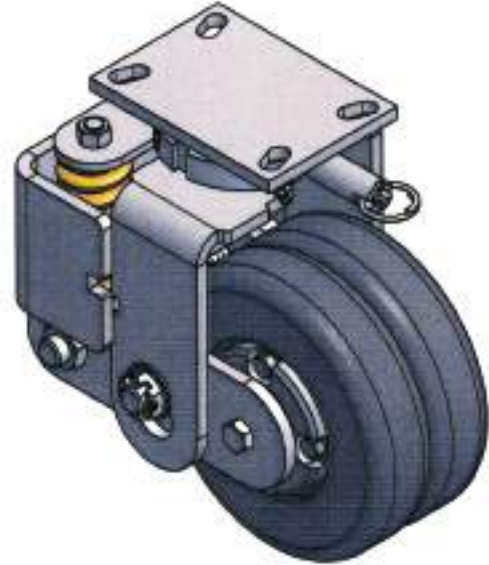
IMPORTANT: Each arrangement shows LOAD RATING PER WHEEL EXPRESSED AS A PERCENTAGE OF THE TOTAL VEHICLE WEIGHT PLUS LOAD WEIGHT for both NORMAL and **EXTREME** floor conditions.

EXAMPLE: 4000# load and pattern **6** under extreme conditions means each caster and wheel must be able to take 45% of the total load or $4000 \times 45\% = 1800\#$

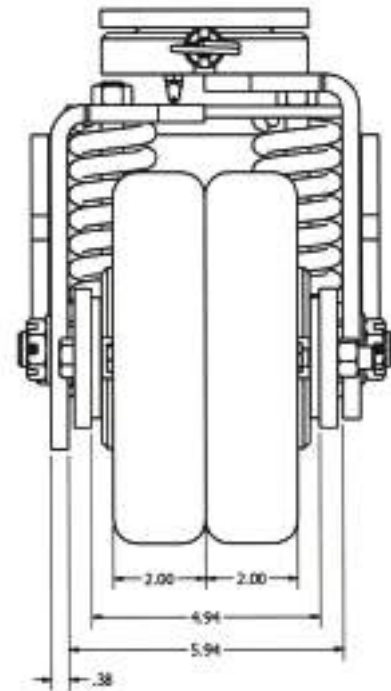
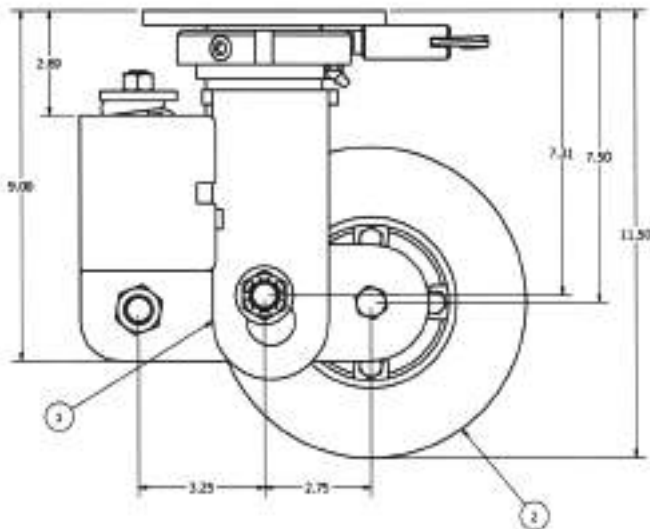
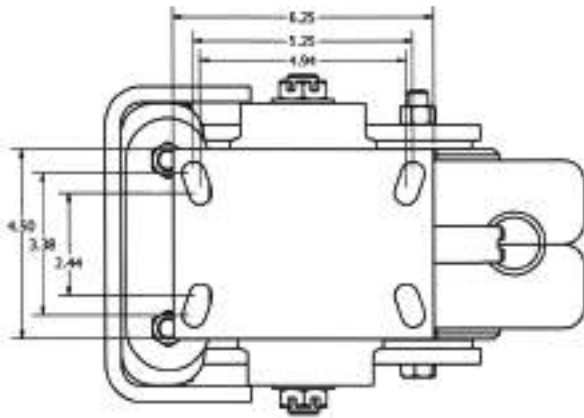
		NORMAL USE		EXTREME CONDITIONS		
			35%	35%	45%	45%
			50%		60%	
<i>Short Vehicle</i>			50%	50%	60%	60%
			50%	50%	60%	60%
<i>Long Vehicle</i>			35%	35%	45%	45%
			35%	35%	45%	45%
			35%		45%	
			50%	50%	60%	60%
			35%		45%	

Precision Bearing Wheels are recommended for ease of rollability, less maintenance and less downtime for lowest cost-in-use.

Call toll free **800-523-5474** or e-mail us at **acorn@acornindprod.com** to obtain specific CAD drawings of the casters, wheels or other products that interest you.



Dual Shock Absorbing Caster with High-Temp Nylatron™ Wheel



BENEFITS OF ACORN™ TECHNICAL APPLICATION ASSISTANCE

SIMPLE IDENTIFICATION

The caster and wheel survey recommends a specific ordering number for each piece of rolling equipment in the facility.

LABELING

The casters can be labeled with the replacement caster number and/or your stock number. There is no longer any need to take future caster measurements or look up old invoices to determine where last purchased or remember model numbers.

REDUCTION IN INVENTORY

In many cases, we are able to consolidate the many sizes into fewer models and thus reduce inventory being carried for the same style cart or equipment.

IMPROVED PERFORMANCE

Many times, we find that the castered equipment is “under castered” (i.e. not heavy enough for the job.) The caster may not have enough load capacity for what the job requires. It may need kingpinless construction or the wheel may be the wrong type and damaging to the floors. We have even found employees complaining about difficulty in pulling or pushing equipment, which is easily resolved with Nylacron™ wheels with the right size precision ball bearings.

EASE OF BUYING

The survey shows the customer they can buy what we specify from either an in-plant supplier or directly from Acorn™.

LESS DOWN-TIME

After the plant survey is completed and the models are selected for in-plant requirements, Acorn™ will stock all of these caster for SAME DAY SHIPMENT.

After the plant survey is completed, Acorn™ will provide a summary with all caster and wheel requirements and costs.

OVERVIEW OF USA CASTER INDUSTRY

INSTITUTIONAL			INDUSTRIAL						
Light Duty		Medium Duty		Heavy Duty			Extra Heavy Duty		
Category 1	Category 2	Category 3	Category 4	Category 5	Category 6	Category 7	Category 8	Category 9	Category 10
Loads To 400 lb	Loads To 300 lb	Loads To 600 lb	Loads To 2,000 lb	Loads To 2,000 lb	Loads To 5,000 lb	Loads To 10,000 lb	Loads To 15,000 lb	Loads To 20,000 lb	Loads To 40,000 lb
Caster Types	Caster Types	Caster Types	Caster Types	Caster Types	Caster Types	Caster Types	Caster Types	Caster Types	Caster Types
Pressed Steel	Pressed Steel	Pressed Steel	Pressed Steel	Pressed Steel	Pressed Steel	Pressed Steel	Pressed Steel	Pressed Steel	Pressed Steel
		Cold Forged	Cold Forged	Cold Forged	Cold Forged	Cold Forged	Cold Forged	Cold Forged	Cold Forged
			Hot Forged	Hot Forged	Hot Forged	Hot Forged	Hot Forged	Hot Forged	Hot Forged
			Kingpinless	Kingpinless	Kingpinless	Kingpinless	Kingpinless	Kingpinless	Kingpinless
			Hybrid	Hybrid	Hybrid	Hybrid	Hybrid	Hybrid	Hybrid
Stainless Steel	Stainless Steel	Stainless Steel	Stainless Steel	Stainless Steel	Stainless Steel	Stainless Steel	Stainless Steel	Stainless Steel	Stainless Steel
	Shock Absorbing	Shock Absorbing	Shock Absorbing	Shock Absorbing	Shock Absorbing	Shock Absorbing	Shock Absorbing	Shock Absorbing	Shock Absorbing
	Dual Wheel	Dual Wheel	Dual Wheel	Dual Wheel	Dual Wheel	Dual Wheel	Dual Wheel	Dual Wheel	Dual Wheel

Note: Actual manufacturer load ratings in each product category may vary based on their testing.

ACORN™ INNOVATIVE SOLUTIONS CASTERS & WHEELS

ENGINEERING & DESIGN ASSISTANCE

PROFESSIONAL SERVICE

MATERIAL CERTIFICATIONS

WE ARE
AN INDUSTRY LEADER
IN ERGONOMICS
AND SAFETY.

Foot-Operated Swivel Lock

- Avoid pinching fingers or having to bend over to engage the swivel lock.
- The swivel lock allows for straight travel over long distance.

Adjustable Total Lock

- Completely locks the caster, immobilizing both the wheel and the swivel section.
- Adjustable to account for wheel wear.

Attachable Toe Guard

- Prevents feet from accidentally being rolled over under load and minimizing work place accidents.



INNOVATORS OF
THE NYLACRON™ WHEEL.

*with precision ball bearings
for any application*

Nylacron™ wheels with proper sized precision bearings are made to fit in any caster rig hub length and axle size.

QUALITY CONTROL

These wheels have greater load capacity ratings with better rollability while requiring less maintenance and have longer life. Heavy duty cast nylon wheels have the strength of steel and about one third of the weight of steel.

TECHNICAL DRAWINGS

CUSTOMER SUPPORT

Available in any size shape, metric, standard or custom.

1 LIGHT DUTY CASTERS

Caster Type	Page
1T General Duty Casters	2-3
1D Light Duty Casters with TPR wheels	4
1B Light Duty Dual Wheel Casters with TPR wheels.....	5
1DW Dual Wheel Casters	6-7
1V Glass Handling Casters.....	8-10
1N Light Duty Urethane.....	11
1RTWK Light Duty Stainless Steel TPR.....	12

1 1T GENERAL DUTY CASTERS

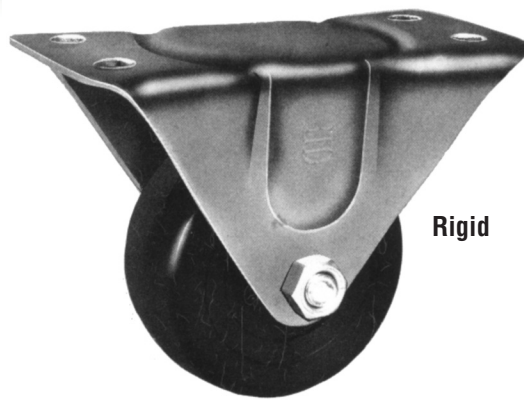


Swivel

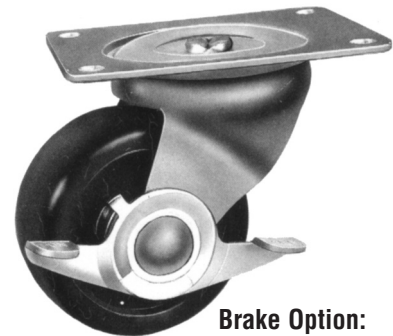
A sturdy light-duty caster. The single ball race design makes the 01 series an economical, yet dependable caster.

Typical Applications:

- Moving Dollies
- Institutional equipment
- Furniture
- Display & Merchandise Racks



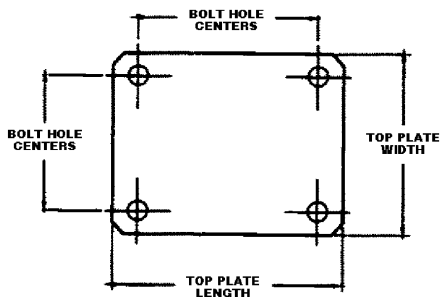
Rigid



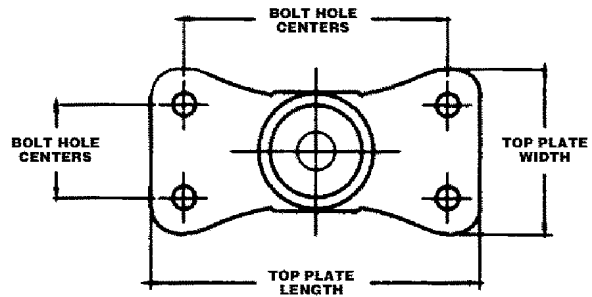
Brake Option:
Add **B** to part number
for cam brake (swivel only)

300 LBS. LOAD CAPACITY TYPE CASTERS

- Top Plate & Yoke: Heavily embossed, formed steel for strength and durability
- Swivel Section: Single ball raceway for free swiveling under load.
- Finish: All parts, except wheel, are zinc plated to prevent rust or resist corrosion.
- Alternate or custom cast configurations available.



Swivel



Rigid

CASTER SPECIFICATIONS

Wheel Type (Wheel Code)	Wheel Diameter (inch)	Tread Width (inch)	Bearing Type	Load Capacity (lbs)	Overall Height (inch)	Swivel Lead (inch)	Swivel Part Number Rigid add R*
STEEL (STL) WHEELS WITH PLAIN BEARINGS	2	15/16	Plain	125	2-7/16	1-3/4	1TSTL2S
	2-1/2	1-1/16	Plain	200	3-1/4	2-3/8	1TSTL25S
	3	1-1/4	Plain	250	3-3/4	2-7/16	1TSTL3S
	4	1-1/4	Plain	300	5	2-9/32	1TSTL4S
HEAVY DUTY PLASTIC (HDP) WHEELS WITH PLAIN BEARINGS	3	1-1/4	Plain	250	3-3/4	2-7/16	1THDP3S
	4	1-1/4	Plain	300	5	2-9/32	1THDP4S
POLYURETHANE (PLY) WHEELS WITH PLAIN BEARINGS	2	15/16	Plain	90	2-7/16	1-3/4	1TPLY2S
	2-1/2	1-1/16	Plain	100	3-1/4	2-3/8	1TPLY25S
	3	1-1/4	Plain	140	3-3/4	2-7/16	1TPLY3S
	3	1-1/4	Plain	220	3-3/4	2-7/16	1TPLY4S
HARD RUBBER (HR) WHEELS WITH NYLON BEARINGS	3	1-1/4	Nylon	225	3-3/4	2-7/16	1THR3S
	4	1-1/4	Nylon	250	5	2-9/32	1THR4S
SOFT RUBBER (SR) WHEELS WITH NYLON BEARINGS	3	1-1/4	Nylon	175	3-3/4	2-7/16	1TSR3S
	4	1-1/4	Nylon	255	5	2-9/32	1TSR4S

MOUNTING PLATE DIMENSIONS

Wheel Dia. (inch)	Plate Dimensions (inch)	Bolt Spacing (inch)	Bolt Size (inch)
Swivel			
2	1-7/8 x 2-9/16	15/16 x 2-1/8	1/4
2-1/2	2-3/4 x 3-7/8	1-3/4 x 3	5/16
3	3-1/8 x 4-1/8	2-3/8 x 3-3/8 to 3-7/16	5/16
4	4 x 5-1/8	3 x 4	3/8
Rigid			
2	1-1/2 x 2-21/32	15/16 x 2-1/8	1/4
2-1/2	2-1/8 x 4-3/8	1-1/16 x 3-1/2	5/16
3	2-5/16 x 4-7/8	1-3/16 x 4	5/16
4	3-1/16 x 6-1/8	1-3/4 x 5	3/8

1

1D LIGHT DUTY CASTERS Neoprene Rubber Wheels



**Stem Caster with
BLACK SOFT NEOPRENE
RUBBER WHEELS
Precision Ball Bearings
Stem 70A shown**

OTHER STEMS AVAILABLE

Size	Stem Type	Stem
11mm I.D.	Hollow Kingpin	23
3/8-16 x 1-1/2	Thread Stem	33
7/16 x 1	Grip Ring Stem	70
7/16 x 7/8	Grip Ring Stem	70A
7/16 x 1-3/8	Grip Ring Stem	72

110 LBS. LOAD CAPACITY TYPE CASTERS

- Full heat treated raceway to enhance durability.
- Wheels with precision bearings.
- Brake option available.
- 3/8" ID hollow kingpin.
- Offered in polished chrome or polished black chrome finish.
- Caster yoke and swivel raceway are hardened for durability and long life.
- Standard 7/16 x 7/8 grip ring stem.

Premium chair caster series is your best choice for ergonomic mobility and floor protection on your office chair, furniture and other equipment that may roll on both hard floors (cement, hard wood, tile, etc.) and soft floor surfaces (carpets, mats, etc.)

Applications

- Office chairs
- Furniture
- Medical & institutional stands and equipment
- Diagnostic & electrical equipment

CASTER SPECIFICATIONS

Wheel Diameter	Tread Width	Wheel Type	Load Capacity	Finish Type	Bearing Type	Swivel Caster Part Number	Overall Height	Swivel Radius	Fastener Spec.
2	13/16	Black PolyFlexon® Dual Wheel	75	Chrome Plated	Sealed Precision Ball	C08CS310NPR41B-70A	2 3/4	2	7/16 x 7/8 grip ring stem
3	13/16	Black PolyFlexon®	110	Chrome Plated	Sealed Precision Ball	FH20BPC4953	3 7/8	2 7/8	7/16 x 7/8 grip ring stem

*available in dual wheel

1 1B SERIES DW DUAL WHEEL CASTERS



**Total Lock Caster with
GRAY NON-MARKING RUBBER
Precision Ball Bearings**



**Hole Caster with
GRAY NON-MARKING RUBBER
Precision Ball Bearings**

180 LBS. LOAD CAPACITY TYPE CASTERS

- Top plate: 2 3/8" x 2 3/8"
- Mounting Holes: 1 1/2" x 1 1/2" to 1 7/8" x 1 7/8" BHS 6mm hole clearance
- Custom stems available

This twin wheel version series caster offers improved mobility, better distribution of floor load, and increased capacity of a dual wheel caster. The optional "Total Lock Brake" locks both the swivel and wheel with one press of the pedal. Available in both top plate and bolt hole mounting styles.

Applications

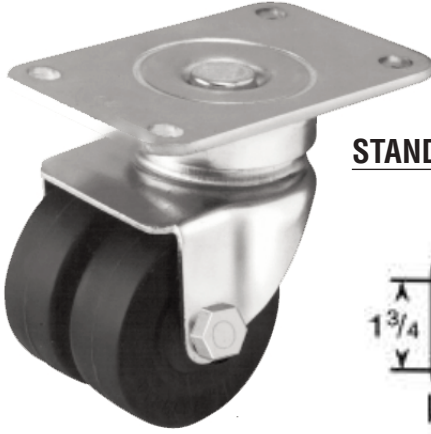
- Office chairs
- Furniture
- Medical & institutional stands and equipment
- Diagnostic & electrical equipment

CASTER SPECIFICATIONS

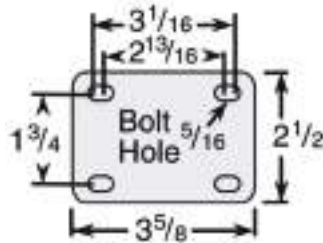
Swivel Model Number	Load Capacity (lbs)	Wheel Type	Mounting Type	Weight Approx.
50mm (2") Diameter Wheels				
TWAL-50-FTP	135	Gray Non-Marking Rubber	2 3/8" x 2 3/8 top plate	1.0
TWAL-50-BH	135	Gray Non-Marking Rubber	10mm bolt hole	1.0
75mm (3") Diameter Wheels				
TWAL-75-FTP	180	Gray Non-Marking Rubber	2 3/8" x 2 3/8 top plate	2.0
TWAL-75-BH	180	Gray Non-Marking Rubber	12.2 bolt hole	1.5

Total Lock Brakes available. Add code code TLB to model number example: TWAL/TLB-75BH
Other sizes available.

1 1DW SERIES DUAL WHEEL CASTERS



STANDARD TOP PLATE 20

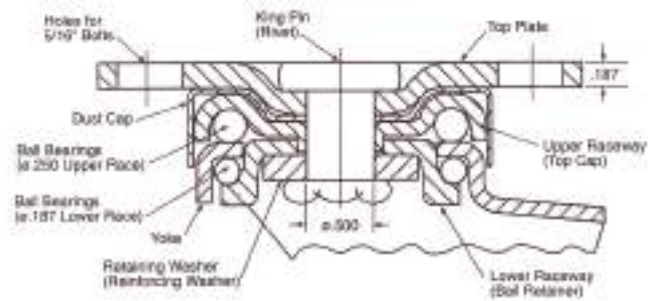


**ADDITIONAL
TOP PLATES
AVAILABLE**

APPLICATIONS

- Laboratory Equipment
- Medical Equipment
- IV Stands
- Computer Stands
- Electronic Enclosures
- Copy Machines
- Disk Storage Devices
- Display Racks
- Airport Terminal Stands

FOUR SIDED DOUBLE BALL BEARING RACEWAY 30 SERIES



400 LBS. LOAD CAPACITY TYPE CASTERS

- Four-sided, double ball raceway
- Heat treated moving parts
- Raceway dust cap
- Low overall height
- Thumb style wheel brake
- Conductive or static dissipative wheels
- Gray, non-marking wheels
- Standard bright zinc or black oxide finishes
- Maintenance free swivel bearings

1 1DW SERIES DUAL WHEEL CASTERS

SPECIFICATIONS

Diameter	Tread Width	Load Capacity	Wheel Description	Bearing	Swivel Part Number	Rigid Part Number	Approx. Weight (lbs)	Overall Height (inch)	Swivel Radius (inch)
2	7/8	250	Round Donut/Neoprene	Ball	32-20-XDN-RD	32-20-XRDN-RD	2	3-1/4	2-1/4
2	7/8	250	Neoprene Rubber	Ball	32-20-XDN	32-20-XRDN	2	3-1/4	2-1/4
2	7/8	250	Hard Rubber	Ball	32-20-XH	32-20-XRH	2	3-1/4	2-1/4
2	7/8	300	Hi-Cap Neoprene	Ball	32-20-XKN	32-20-XRKN	2	3-1/4	2-1/4
2	7/8	400	Advanced Elastomer	Ball	32-20-XAE	32-20-XRAE	2	3-1/4	2-1/4
2	7/8	400	Polyolefin	Ball	32-20-XPO	32-20-XRPO	2	3-1/4	2-1/4
2-1/2	7/8	250	Neoprene Rubber	Ball	32-1/2-20-XDN	32-1/2-20-XRDN	2-1/2	3-3/4	2-5/8
2-1/2	7/8	330	Hard Rubber	Ball	32-1/2-20-XH	32-1/2-20-XRH	2-1/2	3-3/4	2-5/8
2-1/2	7/8	350	Hi-Cap Neoprene	Ball	32-1/2-20-XKN	32-1/2-20-XRKN	2-1/2	3-3/4	2-5/8
2-1/2	7/8	400	Polyurethane/Cast Iron Hub	Ball	32-1/2-20-XADI-M-CI	32-1/2-20-XRADI-M-CI	3	3-3/4	2-5/8
2-1/2	7/8	400	Advanced Elastomer	Ball	32-1/2-20-XAE	32-1/2-20-XRAE	2-1/2	3-3/4	2-5/8

* Special Order/Minimum Quantity

STEM SIZES AVAILABLE

“O” GRIP RING STEM TABLE

Dimension D	Dimension L	Stem Number
1/2”*	1-1/2”	O-12-112
5/8”	2”	O-58-2
3/4”*	2”	O-34-2
7/8”	2”	O-78-2
1”	2-1/2”	O-1-212

Other stem sizes and dimensions available.

* Special Order/Minimum Quantity

“L” TREADED STEM TABLE

Dimension T	Dimension L	Stem Number
1/2”-13	1-1/2”	L-1213-112
1/2”-13	2”	L-1213-2
5/8”-11	2”	L-5811-2
5/8”-11	2-1/2”	L-5811-212
3/4”-10	1-1/2”	L-3410-112
3/4”-10	2”	L-3410-2
3/4”-10	2-1/2”	L-3410-212

Other stem sizes and dimensions available.

* Special Order/Minimum Quantity

Original Glass Handling Casters for transport tables in the glass industry.

25.4 mm = 1 inch



Elastic Natural Rubber Ball Caster

Color Black, 70° Shore A

L = left hand R = right hand

- Temperature Range: -20°C to +80°C of short duration up to 120°C.
- Excellent cutting strength, non-marking, high wear resistance.
- Elastic properties prevent damaging.

ELASTIC RUBBER WHEEL BALL CASTER WITH THREADED STEM

Left Hand	Right Hand	A (mm)	B (mm)	C (mm)	O (mm)	P (mm)	Load Capacity kg.
RB GL 35 075	RB GR 35 075	35	54/71	87	14	75	12
RB GL 35 055	RB GR 35 055	35	54/71	92	14	55	12
RB GL 50 100	RB GR 50 100	50	69/91	107	14	100	20

ELASTIC RUBBER WHEEL BALL CASTER WITHOUT THREADED STEM

Left Hand	Right Hand	A (mm)	P (mm)	Load Capacity kg.
RB GL 35 075Z	RB GR 35 075Z	35	75	12
RB GL 35 055Z	RB GR 35 055Z	35	55	12
RB GL 50 100Z	RB GR 50 100Z	50	100	20

ELASTIC RUBBER BALL ONLY WITH PLASTIC INSERT

Ball Only	A (mm)
#SPC 35	35
#SPC 50	50

25.4 mm = 1 inch



Elastic Natural Rubber Ball

Stainless Steel Caster

Color Black, 70° Shore A

L = left hand R = right hand

- Temperature Range: -20°C to +80°C of short duration up to 120°C.
- Completely rust proof.
- Excellent cutting strength, non-marking, high wear resistance.
- Elastic properties prevent damaging.

ELASTIC RUBBER **STAINLESS STEEL** BALL CASTER WITH THREADED STEM

Left Hand	Right Hand	A (mm)	B (mm)	C (mm)	O (mm)	P (mm)	Load Capacity kg.
RB IL 35 075	RB IR 35 075	35	54/71	87	14	75	12
RB IL 50 055	RB IR 50 055	50	69/91	107	14	100	20

ELASTIC RUBBER **STAINLESS STEEL** BALL CASTER WITHOUT THREADED STEM

Left Hand	Right Hand	A (mm)	P (mm)	Load Capacity kg.
RB IL 35 075Z	RB IR 35 075Z	35	75	12
RB IL 50 100Z	RB IR 50 100Z	50	100	20

ELASTIC RUBBER BALL ONLY WITH PLASTIC INSERT

Ball Only	A (mm)
#SPC 35	35
#SPC 50	50

1 1V GLASS HANDLING CASTERS Polyurethane Ball

Original Glass Handling Casters for transport tables in the glass industry.

25.4 mm = 1 inch



Polyurethane Ball Caster

Color Light Brown, 92° Shore A
L = left hand R = right hand

- Temperature Range: -20°C to +80°C of short duration up to 120°C.
- Excellent cutting strength, non-marking, high wear resistance.
- Elastic properties prevent damaging.

POLYURETHANE WHEEL BALL CASTER WITH THREADED STEM

Left Hand	Right Hand	A (mm)	B (mm)	C (mm)	O (mm)	P (mm)	Load Capacity kg.
WK GL 35 075	WK GR 35 075	35	54/71	87	14	75	12
WK GL 35 055	WK GR 35 055	35	54/71	92	14	55	12
WK GL 50 100	WK GR 50 100	50	69/91	107	14	100	20

POLYURETHANE WHEEL BALL CASTER WITHOUT THREADED STEM

Left Hand	Right Hand	A (mm)	P (mm)	Load Capacity kg.
WK GL 35 075Z	WK GR 35 075Z	35	75	12
WK GL 35 055Z	WK GR 35 055Z	35	55	12
WK GL 50 100Z	WK GR 50 100Z	50	100	20

POLYURETHANE BALL ONLY WITH PLASTIC INSERT

Ball Only	A (mm)
#SPW 35	35
#SPW 50	50

25.4 mm = 1 inch



Polyurethane Ball Caster

Stainless Steel Caster

Color Light Brown, 92° Shore A
L = left hand R = right hand

- Temperature Range: -20°C to +80°C of short duration up to 120°C.
- Completely rust proof.
- Excellent cutting strength, non-marking, high wear resistance.
- Elastic properties prevent damaging.

POLYURETHANE STAINLESS STEEL BALL CASTER WITH THREADED STEM

Left Hand	Right Hand	A (mm)	B (mm)	C (mm)	O (mm)	P (mm)	Load Capacity kg.
WK IL 35 075	WK IR 35 075	35	54/71	87	14	75	12
WK IL 50 100	WK IR 50 100	50	69/91	107	14	100	20

POLYURETHANE STAINLESS STEEL BALL CASTER WITHOUT THREADED STEM

Left Hand	Right Hand	A (mm)	P (mm)	Load Capacity kg.
WK IL 35 075Z	WK IR 35 075Z	35	75	12
WK IL 50 100Z	WK IR 50 100Z	50	100	20

POLYURETHANE BALL ONLY WITH PLASTIC INSERT

Ball Only	A (mm)
#SPW 35	35
#SPW 50	50

1

1V GLASS HANDLING CASTERS Heat Resistant Elastic Rubber Ball

Original Glass Handling Casters for transport tables in the glass industry.

25.4 mm = 1 inch



Heat Resistant Ball Caster Elastic Rubber

Color Red, 80° Shore A

L = left hand R = right hand

- Temperature Range: -20°C to +150°C.
- Heat Resistant.
- Excellent cutting strength, non-marking, high wear resistance.
- Elastic properties prevent damage.

HEAT RESISTANT ELASTIC RUBBER WHEEL BALL CASTER WITH THREADED STEM

Left Hand	Right Hand	A (mm)	B (mm)	C (mm)	O (mm)	P (mm)	Load Capacity kg.
RH GL 35 075	RH GR 35 075	35	54/71	87	14	75	12
RH GL 35 055	RH GR 35 055	35	54/71	92	14	55	12
RH GL 50 100	RH GR 50 100	50	69/91	107	14	100	20

HEAT RESISTANT ELASTIC RUBBER WHEEL BALL CASTER WITHOUT THREADED STEM

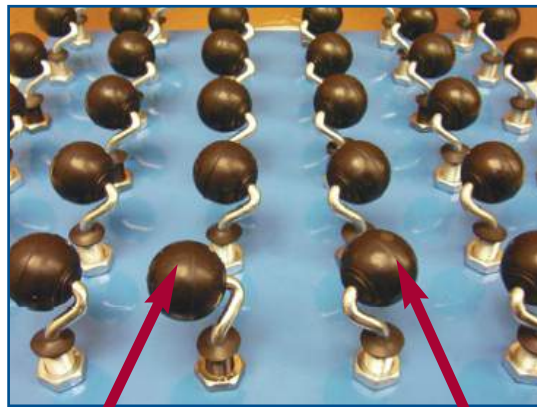
Left Hand	Right Hand	A (mm)	P (mm)	Load Capacity kg.
RH GL 35 075Z	RH GR 35 075Z	35	75	12
RH GL 35 055Z	RH GR 35 055Z	35	55	12
RH GL 50 100Z	RH GR 50 100Z	50	100	20

HEAT RESISTANT ELASTIC RUBBER BALL ONLY WITH PLASTIC INSERT

Ball Only	A (mm)
#SPH 35	35
#SPH 50	50

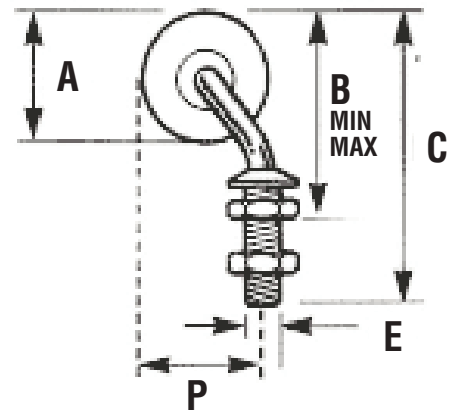
Glass Handling Casters are also used for easy handling of other flat sheet materials such as:

- Granite
- Wood
- Plastic
- Paper

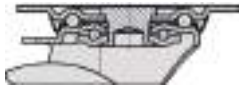


LH Caster bias moves toward the Right

RH Caster bias moves toward the Left



1 kg = 2.2 lbs
25.4 mm = 1 inch

**Plate Swivel Caster****PLATE TYPE FEATURES****Load Capacity Up to 220 lbs. (100 kg.)****Casters:** Pressed steel, swivel bracket with double ball bearing in the swivel head, bolted wheel axle, zinc-plated.**Wheels:** Polyurethane, firmly bonded, color light brown, non-marking, 92° shore A, elastic, abrasion-resistant, high cut and tear propagation resistance, non-staining, floor-saving, low-noise operation, low rolling resistance. Very good chemical connection with the wheel center.Made of steel **with precision ball bearings.****SWIVEL CASTER WITH POLYURETHANE WHEELS**

25.4 mm = 1 inch

Wheel Dia. (mm)	Wheel Width (mm)	Capacity (lb)	Bearing Type	OAH (mm)	Plate (mm)	Bolt Hole Spacing (mm)	Bolt Hole (mm)	Offset (mm)	Swivel Part Number
35	27	220	Precision Ball	52	60 x 60	38 x 38 / 48 x 48	6, 5	15	1NWK0350GR0
45	27	220	Precision Ball	62	60 x 60	38 x 38 / 48 x 48	6, 5	15	1NWK0450GR0
55	27	220	Precision Ball	72	60 x 60	38 x 38 / 48 x 48	6, 5	15	1NWK0550GR0

**Hole Swivel Caster****HOLE TYPE FEATURES****Load Capacity Up to 220 lbs. (100 kg.)****Casters:** Pressed steel, swivel bracket with double ball bearing in the swivel head, bolted wheel axle, zinc-plated.**Wheels:** Made of polyurethane, firmly bonded, color light brown, non-marking, 92° shore A, elastic, abrasion-resistant, high cut and tear propagation resistance, non-staining, floor-saving, low-noise operation, low rolling resistance. Very good chemical connection with the wheel center.Made of steel **with precision ball bearings.****HOLE CASTER WITH POLYURETHANE WHEELS**

25.4 mm = 1 inch

Wheel Dia. (mm)	Wheel Width (mm)	Capacity (lb)	Bearing Type	OAH (mm)	Plate (mm)	Bolt Hole (mm)	Offset (mm)	Swivel Part Number
35	27	220	Precision Ball	52	43	11	15	1NWK0350QR0
45	27	220	Precision Ball	62	43	11	15	1NWK0450QR0
55	27	220	Precision Ball	72	43	11	15	1NWK0550QR0

Nylacron wheels are available with precision ball bearings for all sizes.**Stems available on request.**



Total Lock Swivel Plate Caster
also available in Rigid and Swivel.

PLATE TYPE FEATURES

Thermoplastic Rubber Polypropylene Wheel Center on Polypropylene core. 90° Shore A: color gray, non-marking, smoothly rolling, 2RS precision ball bearing.

Mounted in a pressed stainless steel castor with double ball race: sealed, smooth rolling and pivoting - type: swivel, swivel + brake, fixed.

APPLICATIONS

- Temperature Range: -20°C to +60°C.
- Fully rust proof.
- Suitable for lighter applications, even on irregular to bad floors.
- Various applications in the construction of apparatus, furniture industry, and movement of shop equipment.

STAINLESS STEEL PLATE CASTER TPR WHEEL

25.4 mm = 1 inch

Swivel	Total Lock	Rigid	Wheel Diameter (mm)	Tread Width (mm)	Top Plate Size (mm)	Bolt Hole Spacing (mm)	Bolt Hole Diameter (mm)	Swivel Radius (mm)	Precision Ball Bearing (mm)	Overall Height (mm)	Load Capacity kg.
RT WK 050 IJU	RT WK 050 IJUS	RT WK 050 IVU	50	18	60x60	48x48	6	25	PB	69	40
RT WK 075 IJU	RT WK 075 IJUS	RT WK 075 IVU	75	25	60X60	48x48	8	24	PB	100	75



Total Lock Swivel Hole Caster

HOLE TYPE FEATURES

Thermoplastic Rubber Polypropylene Wheel Center on Polypropylene core. 90° Shore A: color gray, non-marking, smoothly rolling, 2RS precision ball bearing.

Mounted in a pressed stainless steel castor with double ball race: sealed, smooth rolling and pivoting - type: swivel, swivel + brake, fixed.

APPLICATIONS

- Temperature Range: -20°C to +60°C.
- Fully rust proof.
- Suitable for lighter applications, even on irregular to bad floors.
- Various applications in the construction of apparatus, furniture industry, and movement of shop equipment.

STAINLESS STEEL SWIVEL HOLE CASTER TPR WHEEL

25.4 mm = 1 inch

Swivel	Total Lock	Wheel Diameter (mm)	Tread Width (mm)	Swivel Radius (mm)	Top Plate Size (mm)	Hole Size (mm)	Precision Ball Bearing (mm)	Overall Height (mm)	Load Capacity kg.
RT WK 050 IJC	RT WK 050 IJCS	50	18	12	25	10	PB	69	40
RT WK 075 IJC	RT WK 075 IJCS	75	25	12	24	12	PB	100	75

2 LIGHT DUTY CASTERS

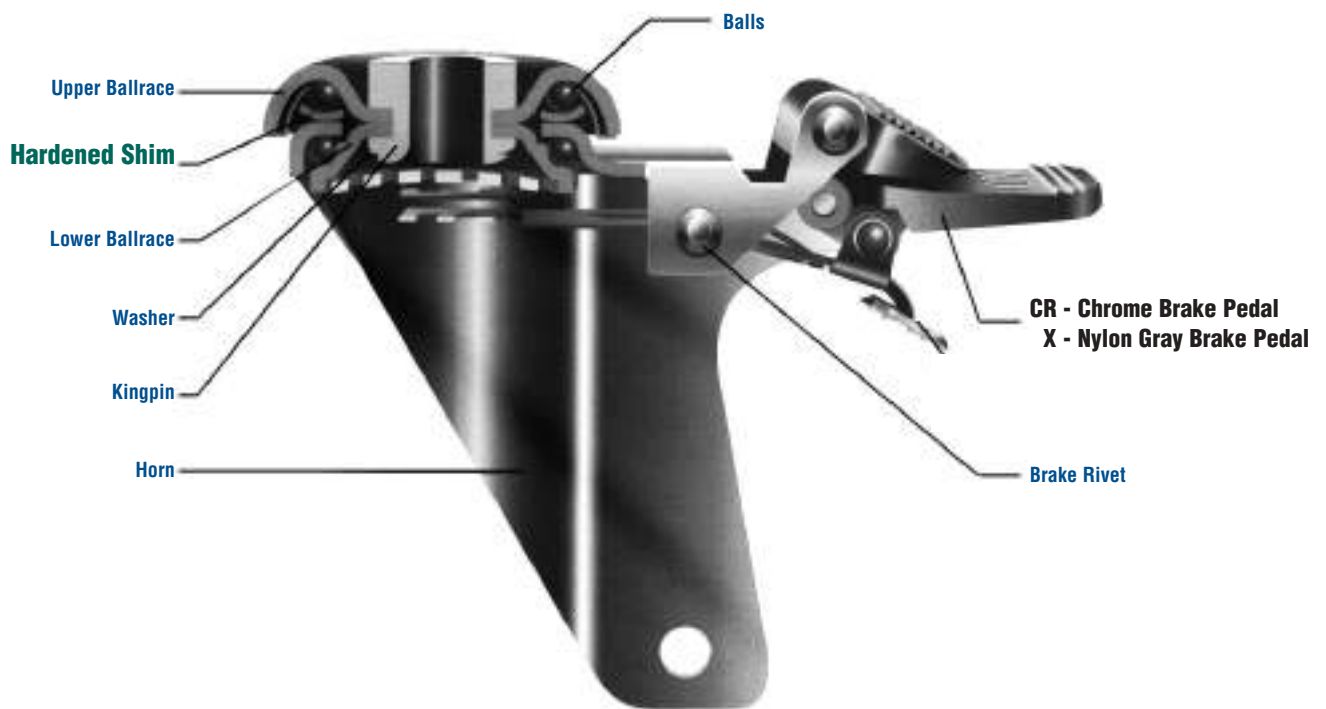


Caster Type	Page
2C Casters & Wheels	2-10
2CSS Stainless Casters & Wheels	11-16
US Top Plate P51	17-21
2J Plate & Stem Casters	22-27
2DSA Shock Absorbing Caster	28

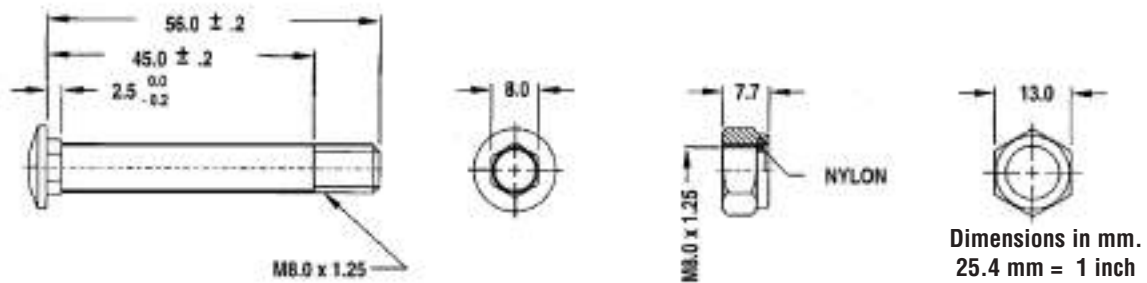
Best Value 2C Polished Chrome Institutional Casters for Every Application

- Food Service
 - Hotel & Catering Equipment
 - Kitchen Equipment
 - Movable Hi-tech Products
 - Institutional Equipment
- Pharmaceutical
 - Animal Cages
 - AALAS
 - Apparatus
 - Instrument Equipment Carts
- Hospital
 - Medical Equipment
 - Laboratories
 - Clean Room
 - Plastic Utility Carts

POLISHED CHROME - Hardened Shim with Sealed Swivel Yoke.



AXLE & NUT STANDARD STEEL



FOR ALL CASTERS & WHEELS AVAILABLE IN THIS CATEGORY
GO TO ACORN WEBSITE UNDER **DOWNLOADS**.

2 2C TOP PLATE OPTIONS



Swivel Caster



Rigid Caster



Swivel Caster with Total Lock
Available with
nylon gray brake pedal

FEATURES

Load Capacity

Up to 300 lbs.

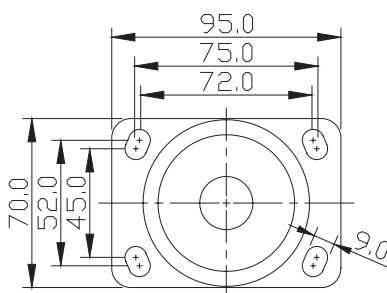
- Polished chrome, Pressed Steel Housing
- Pressed Steel Double Ball Race with Hardened Main Ball Raceway Shim and Hardened Steel Balls functions as Kingpinless construction to give longer life
- Metal Brake Pedal
- No Rust

SWIVEL RIG OPTIONS

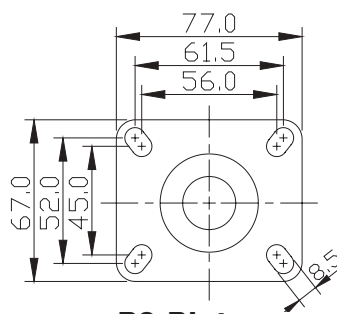
- TLB** Total Lock Brake
- STG** Steel Thread Guards
- H3** Hole Casters (Swivel, Rigid or Total Lock)
- DL** Directional Lock
- X*** Nylon Gray Brake Pedal

***NYLON PEDAL: Y380XP1CR/KR3**

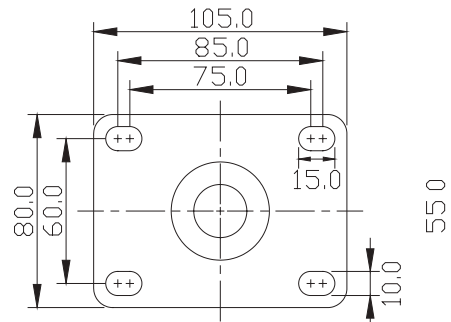
SWIVEL TOP PLATES (Dimensions are in mm. 25.4mm = 1in)



P1 Plate Standard

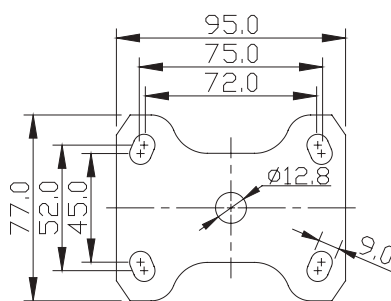


P2 Plate

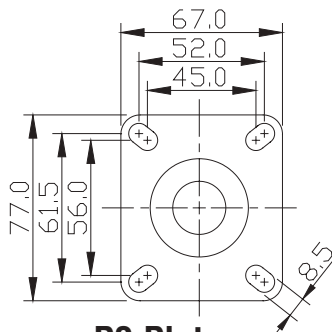


P3 Plate

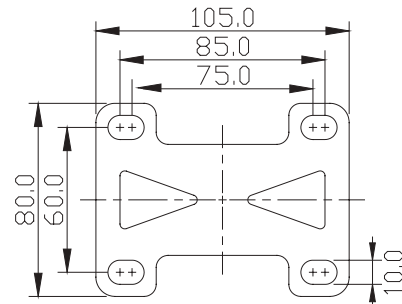
RIGID TOP PLATES (Dimensions are in mm. 25.4mm = 1in)



P1 Plate Standard



P2 Plate



P3 Plate

**2C CASTERS NOW AVAILABLE IN US TOP PLATE P51
SEE PAGE 18**

GRIP RING STEM OPTIONS GR

Stem Code	Stem Dimensions
GR1	3/4" diameter x 2-3/16" long
GR2	13/16" diameter x 2-3/16" long
GR3	.845" diameter x 2-3/16" long
GR4	.865" diameter x 2-3/16" long
GR5	1" diameter x 2-3/16" long
GR6	.860" square x 2-3/16" long

THREADED STEM OPTIONS TS

Stem Code	Stem Dimensions
TS1	1/2"-13 x 3/4" long
TS2	1/2"-13 x 1" long
TS3	1/2"-13 x 1-1/2" long
TS4	1/2"-20 x 3/4" long
TS5	1/2"-20 x 2-1/4" long
TS6	5/8"-11 x 1-1/4" long
TS7	5/8"-18 x 1-3/4" long
TS8	3/4"-10 x 1" long

PIPE THREAD STEM OPTIONS PS

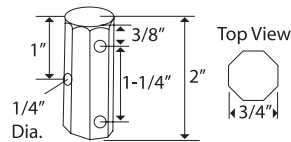
Stem Code	Stem Dimensions
PS1	1/2" Pipe Thread (3/4" actual stem dia.)
PS2	3/4" Pipe Thread (1" actual stem dia.)
PS3	1" Pipe Thread (1-1/4" actual stem dia.)
PS4	1-1/4" Pipe Thread (1-1/2" actual stem dia.)

**OTHER SPECIAL STEMS AVAILABLE,
STANDARD OR STAINLESS STEEL.**

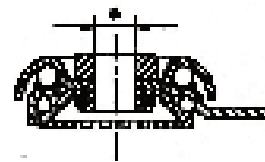
EXPANDING ADAPTER STEMS ES

Adapter #	Tubing ID	Adapter #	Tubing ID
ES9	3/4"	ES17B	1-3/16"
ES11	7/8"	ES19C	1-3/8"
ES13	1"	ES19A	1-1/2"
ES15	1-1/8"	ES21	1-7/8"

Rubber bushing expands inside of tubing as 3/4" nut beneath lower raceway is turned with wrench. Plastic bushing on bottom of stem provides stability for stem inside of tubing for tight, permanent fit. Threaded stem size (less adapter): 1/2" dia. x 2-3/4" long. To order, add adapter number to end of model #.

**2-PZC OCTAGON STEM OC****Standard Octagon Stem Size: OC**

3/4" octagon 2" long with 3 cross-drilled mounting holes.



Hole Type

2-PZC HOLLOW KINGPIN H3**Mounting Options: H3**

Diameter: 12.8 mm.

Bolt Size: 1/2"

**SPECIFY ALL OPTIONS IN THE SUFFIX OF
THE PART NUMBER.**

**EXAMPLE: TS1 AT THE END
OF THE CASTER NUMBER.**

**KR
WHEELS****KRYPTONIC™ WHEELS**

- Polyether Polyurethane has excellent carrying capacity.
- Straight sided slight crown shape affords an easy-rolling quiet operation.
- Greater service life and resistance to chunking, cutting and abrasive wear.

- 100% washable, steam cleanable, and resistant to most chemicals.
- Non-marking tread.
- Durometer: 58 Shore D (+/-5).
- Stainless Steel Precision Ball Bearings.
- Temperature Range: + 250°F for up to a 1/2 hour.
- Available in 5" gray + 250°F for 5 to 6 hours.



Part Number Swivel with Total Lock	Part Number Swivel Caster	Part Number Rigid Caster	Wheel Diameter (inch)	Tread Width (inch)	Load Capacity (lbs)	Overall Height (mm)	Swivel Radius (mm)
Y380P1CR/KR3	Y381P1CR/KR3	Y382P1CR/KR3	3	1-1/4	300	107	33
Y481P1CR/KR4	Y481P1CR/KR4	Y482P1CR/KR4	4	1-1/4	300	135	40.5
Y582P1CR/KR5	Y581P1CR/KR5	Y582P1CR/KR5	5	1-1/4	300	161	39

**ANR
WHEELS****ADVANCED RED RUBBER**

- 80 (+5) Shore (A).
- Unique soft tread wheel handles the heat for autoclave applications.
- Roll quiet and smooth ride.

- Recommended for use in hospitals, laboratories and cleanrooms.
- Corrosion resistant thermoplastics.
- Resilient tread material rejects floor debris.
- Stainless Steel Precision Ball Bearings.
- Temp Range: -190°F to +300°F.



Part Number Swivel with Total Lock	Part Number Swivel Caster	Part Number Rigid Caster	Wheel Diameter (inch)	Tread Width (inch)	Load Capacity (lbs)	Overall Height (mm)	Swivel Radius (mm)
Y480P1CR/ANR4	Y481P1CR/ANR4	Y482P1CR/ANR4	4	1-1/4	175	135	40.5
Y580P1CR/ANR5	Y581P1CR/ANR5	Y582P1CR/ANR5	5	1-1/4	220	161	39
Y680P1CR/ANR6	Y681P1CR/ANR6	Y682P1CR/ANR6	6	1-1/4	245	167	45

**NY/MC
WHEELS****NYLACRON™**

- Precision Machined from cast polyamide hardness 112-120 Rockwell R.
- Ultimate choice for extremely high load applications to replace metallic wheels.
- Offer very high abrasion resistance and very low rolling resistance under extreme loads.

- Resistant to salt, grease, alcohol and mild acids - can be used in corrosive applications with appropriate bearings.
- Precision Ball Bearings.
- Temperature Range: -40°F to +270°F.



Part Number Swivel with Total Lock	Part Number Directional Lock	Part Number Swivel Caster	Wheel Diameter (inch)	Tread Width (inch)	Load Capacity (lbs)	Overall Height (mm)	Swivel Radius (mm)
Y380P1CR/NYMC	Y381P1CR/NYMC	Y382P1CR/NYMC	3	1-1/4	220	107	33
Y480P1CR/NYMC	Y481P1CR/NYMC	Y482P1CR/NYMC	4	1-1/4	220	135	40.5
Y580P1CR/NYMC	Y581P1CR/NYMC	Y582P1CR/NYMC	5	1-1/4	220	161	39

**TPR
WHEELS****THERMOPLASTIC GRAY TREAD
RUBBER PLASTIC HUB.**

- 70 (+/-5) Durometer Shore (A).
- Recommended for clean environments.

- Resists most solvents, oil, grease, and water.
- Non-marking.
- Smooth rolling and quiet.
- Precision Ball Bearings.
- Temp Range: -45°F to +180°F.



Part Number Swivel with Total Lock	Part Number Swivel Caster	Part Number Rigid Caster	Wheel Diameter (inch)	Tread Width (inch)	Load Capacity (lbs)	Overall Height (mm)	Swivel Radius (mm)
Y380P1CR/W312	Y381P1CR/W312	Y382P1CR/W312	3	1-1/4	130	107	33
Y480P1CR/W412	Y481P1CR/W412	Y482P1CR/W412	4	1-1/4	175	135	40.5
Y580P1CR/W512	Y581P1CR/W512	Y582P1CR/W512	5	1-1/4	220	161	39

**PRB
WHEELS****ELASTIC RUBBER**

- Plastic hub material.
- Plastic 3" & Steel 4" & 5" thread guards.
- Gray color elastic rubber tire material.

- Precision Ball Bearings.
- Short-term temperature range: -40°/80°C.

Part Number Swivel with Total Lock	Part Number Swivel Caster	Part Number Rigid Caster	Wheel Diameter (inch)	Tread Width (inch)	Load Capacity (lbs)	Overall Height (mm)
Y380P1CR/W324	Y381P1CR/W324	Y382P1CR/W324	3	1-1/4	110	107
Y480P1CR/W424	Y481P1CR/W424	Y482P1CR/W424	4	1-1/4	175	135
Y580P1CR/W524	Y581P1CR/W524	Y582P1CR/W524	5	1-1/4	220	161
Y580P1CR/W624	Y581P1CR/W624	Y582P1CR/W624	6	1-1/4	220	190

**SRB
WHEELS****ELASTIC RUBBER**

- Pressed steel hub material.
- Steel thread guards.
- Gray color elastic rubber tire material.

- Precision Ball Bearings.
- Short-term temperature range: -40°/80°C.

Part Number Swivel with Total Lock	Part Number Swivel Caster	Part Number Rigid Caster	Wheel Diameter (inch)	Tread Width (inch)	Load Capacity (lbs)	Overall Height (mm)
Y480P1CR/W423	Y481P1CR/W423	Y482P1CR/W423	4	1-1/4	175	135
Y580P1CR/W523	Y581P1CR/W523	Y582P1CR/W523	5	1-1/4	220	161
Y680P1CR/W623	Y681P1CR/W623	Y682P1CR/W623	6	1-1/4	220	190

**PM
WHEELS****SOLID NYLON**

- Steel thread guards.
- White color.

- Roller Bearings.
- Short-term temperature range: -30°/+120°C.

Part Number Swivel with Total Lock	Part Number Swivel Caster	Part Number Rigid Caster	Wheel Diameter (inch)	Tread Width (inch)	Load Capacity (lbs)	Overall Height (mm)
Y380P1CR/W309RX	Y381P1CR/W309RX	Y382P1CR/W309RX	3	1-1/4	110	107
Y480P1CR/W409RX	Y481P1CR/W409RX	Y482P1CR/W409RX	4	1-1/4	175	135
Y580P1CR/W509RX	Y581P1CR/W509RX	Y582P1CR/W509RX	5	1-1/4	220	161

2

2C POLISHED CHROME FINISH PLATE CASTERS

TPR/AS WHEELS

ANTI-STATIC PLASTIC HUB, GRAY COLOR CONDUCTIVE THERMOPLASTIC RUBBER TREAD

- 70 (+/-5) Durometer Shore (A).
- Anti-static plastic hub.
- Non-marking.
- Easy rolling, impact resistant and shock absorbing.
- Precision Ball Bearings.
- Temp Range: -40°F to +120°F.



Part Number Swivel with Total Lock	Part Number Swivel Caster	Part Number Rigid Caster	Wheel Diameter (inch)	Tread Width (inch)	Load Capacity (lbs)	Overall Height (mm)	Swivel Radius (mm)
Y480P1CR/W403AS	Y481P1CR/W403AS	Y482P1CR/W403AS	4	1-1/4	175	135	40.5
Y580P1CR/W503AS	Y581P1CR/W503AS	Y582P1CR/W503AS	5	1-1/4	220	161	39
Y680P1CR/W603UAS	Y681P1CR/W603UAS	Y682P1CR/W603UAS	6	1-1/4	240	190	50

TPU WHEELS

PLASTIC HUB, GRAY COLOR POLYURETANE TREAD

- 95 (+/-5) Durometer Shore (A).
- Plastic hub.
- Non-marking.
- High impact and abrasion resistant.
- Precision Ball Bearings.
- Temp Range: -40°F to +180°F.



Part Number Swivel with Total Lock	Part Number Swivel Caster	Part Number Rigid Caster	Wheel Diameter (inch)	Tread Width (inch)	Load Capacity (lbs)	Overall Height (mm)	Swivel Radius (mm)
Y380P1CR/W300	Y381P1CR/W300	Y382P1CR/W300	3	1-1/4	110	107	40.5
Y480P1CR/W400	Y481P1CR/W400	Y482P1CR/W400	4	1-1/4	175	135	39
Y580P1CR/W500	Y581P1CR/W500	Y582P1CR/W500	5	1-1/4	220	161	45

*steel tread guard

P1, P2, P3 for Swivel Plate Sizes
TL for Total Lock to Swivel Caster

P4, P5, or P6 for Rigid Plate Sizes
DL for Directional Lock

All wheels with precision ball bearings
H3 for Hole Caster

NOTE: All load ratings are for manual operation.

OTHER TYPE 1 1/4" WHEELS AVAILABLE FOR THIS SERIES.

NYLACRON™ MD (NY/MD), NYLACRON™ MONOCAST (NY/MC), SOLID NYLON (PM), HIGH TEMP WHEELS AVAILABLE. SEE WHEEL SECTION.

**KR
WHEELS****KRYPTONIC™ WHEELS**

- Polyether Polyurethane has excellent carrying capacity.
- Straight sided slight crown shape affords an easy-rolling quiet operation.
- Greater service life and resistance to chunking, cutting and abrasive wear.

- 100% washable, steam cleanable, and resistant to most chemicals.
- Non-marking tread.
- Durometer: 58 Shore D (+/-5).
- Stainless Steel Precision Ball Bearings.
- Temperature Range: + 250°F for up to a 1/2 hour.
- **Available in 5" gray + 250°F for 5 to 6 hours.**



Part Number Swivel with Total Lock	Part Number Swivel Caster	Wheel Diameter (inch)	Tread Width (inch)	Load Capacity (lbs)	Overall Height (mm)	Swivel Radius (mm)
Y380P1H3CR/KR3	Y381P1H3CR/KR3	3	1-1/4	300	107	33
Y480P1H3CR/KR4	Y481P1H3CR/KR3	4	1-1/4	300	135	40.5
Y580P1H3CR/KR5	Y581P1H3CR/KR3	5	1-1/4	300	161	39

**ANR
WHEELS****ADVANCED RED RUBBER**

- 80 (+/-5) Shore (A).
- Unique soft tread wheel handles the heat for autoclave applications.
- Roll quiet and smooth ride.

- Recommended for use in hospitals, laboratories and cleanrooms.
- Corrosion resistant thermoplastics.
- Resilient tread material rejects floor debris.
- Stainless Steel Precision Ball Bearings.
- Temp Range: -190°F to +300°F.



Part Number Swivel with Total Lock	Part Number Swivel Caster	Wheel Diameter (inch)	Tread Width (inch)	Load Capacity (lbs)	Overall Height (mm)	Swivel Radius (mm)
Y480P1H3CR/ANR4	Y481P1H3CR/ANR4	4	1-1/4	175	135	40.5
Y580P1H3CR/ANR5	Y481P1H3CR/ANR5	5	1-1/4	220	161	39
Y680P1H3CR/ANR6	Y481P1H3CR/ANR6	6	1-1/4	245	167	45

**RT
WHEELS****RETORT**

- 75 Durometer Shore (D).
- Designed to withstand the rigors of high temperature.

- Oversized bore ID ensures smooth movement.
- Moderate crown/White finish.
- Precision Ball Bearings.
- Temp Range: -20°F to +290°F.



Part Number Swivel with Total Lock	Part Number Swivel Caster	Wheel Diameter (inch)	Tread Width (inch)	Load Capacity (lbs)	Overall Height (mm)	Swivel Radius (mm)
Y380P1H3CR/RT3H3	Y381P1H3CR/RT3H3	3	1-1/4	130	107	33
Y480P1H3CR/RT4H3	Y481P1H3CR/RT4H3	4	1-1/4	175	135	40.5
Y580P1H3CR/RT5H3	Y581P1H3CR/RT5H3	5	1-1/4	220	161	39

**TPR
WHEELS****THERMOPLASTIC GRAY TREAD RUBBER PLASTIC HUB.**

- 70 (+/-5) Durometer Shore (A).
- Recommended for clean environments.
- Resists most solvents, oil, grease, and water.

- Non-marking.
- Smooth rolling and quiet.
- Precision Ball Bearings.
- Temp Range: -45°F to +180°F.



Part Number Swivel with Total Lock	Part Number Swivel Caster	Wheel Diameter (inch)	Tread Width (inch)	Load Capacity (lbs)	Overall Height (mm)	Swivel Radius (mm)
Y380P1H3CR/W312	Y381P1H3CR/W312	3	1-1/4	130	107	33
Y480P1H3CR/W412	Y481P1H3CR/W412	4	1-1/4	175	135	40.5
Y580P1H3CR/W512	Y581P1H3CR/W512	5	1-1/4	220	161	39

2

2C POLISHED CHROME FINISH H3 HOLE CASTERS

PRB
WHEELS

ELASTIC RUBBER

- Plastic hub material.
- Plastic 3" & Steel 4" & 5" thread guards.
- Gray color elastic rubber tire material.
- Precision Ball Bearings.
- Short-term temperature range: -40°/80°C.

Part Number Swivel with Total Lock	Part Number Swivel Caster	Wheel Diameter (inch)	Tread Width (inch)	Load Capacity (lbs)	Overall Height (mm)
Y380P1H3CR/W324	Y381P1H3CR/W324	3	1-1/4	110	107
Y480P1H3CR/W424	Y481P1H3CR/W424	4	1-1/4	175	135
Y580P1H3CR/W524	Y581P1H3CR/W524	5	1-1/4	220	161

SRB
WHEELS

ELASTIC RUBBER

- Pressed steel hub material.
- Steel thread guards.
- Gray color elastic rubber tire material.
- Precision Ball Bearings.
- Short-term temperature range: -40°/80°C.

Part Number Swivel with Total Lock	Part Number Swivel Caster	Wheel Diameter (inch)	Tread Width (inch)	Load Capacity (lbs)	Overall Height (mm)
Y480P1H3CR/W423	Y481P1H3CR/W423	4	1-1/4	175	135
Y580P1H3CR/W523	Y581P1H3CR/W523	5	1-1/4	220	161
Y680P1H3CR/W623	Y681P1H3CR/W623	6	1-1/4	220	190

PM
WHEELS

SOLID NYLON

- Steel thread guards.
- White color.
- Roller Bearings.
- Short-term temperature range: -30°/+120°C.

Part Number Swivel with Total Lock	Part Number Swivel Caster	Wheel Diameter (inch)	Tread Width (inch)	Load Capacity (lbs)	Overall Height (mm)
Y380P1H3CR/W309RX	Y381P1H3CR/W309RX	3	1-1/4	110	107
Y480P1H3CR/W409RX	Y481P1H3CR/W409RX	4	1-1/4	175	135
Y580P1H3CR/W509RX	Y581P1H3CR/W509RX	5	1-1/4	220	161

TPR/AS
WHEELS

ANTI-STATIC PLASTIC HUB,
GRAY COLOR CONDUCTIVE THERMOPLASTIC
RUBBER TREAD

- 70 (+/-5) Durometer Shore (A).
- Anti-static plastic hub.

- Non-marking.
- Easy rolling, impact resistant and shock absorbing.
- Precision Ball Bearings.
- Temp Range: -40°F to +120°F.



Part Number Swivel with Total Lock	Part Number Swivel Caster	Wheel Diameter (inch)	Tread Width (inch)	Load Capacity (lbs)	Overall Height (mm)	Swivel Radius (mm)
Y480P1H3CR/W403AS	Y481P1H3CR/W403AS	4	1-1/4	175	135	40.5
Y580P1H3CR/W503AS	Y581P1H3CR/W503AS	5	1-1/4	220	161	39
Y680P1H3CR/W603UAS	Y681P1H3CR/W603UAS	6	1-1/4	240	189.5	50

TPU
WHEELS

PLASTIC HUB, GRAY COLOR
POLYURETANE TREAD

- 95 (+/-5) Durometer Shore (A).
- Plastic hub.

- Non-marking.
- High impact and abrasion resistant.
- Temp Range: -40°F to +180°F.



Part Number Swivel with Total Lock	Part Number Swivel Caster	Wheel Diameter (inch)	Tread Width (inch)	Load Capacity (lbs)	Overall Height (mm)	Swivel Radius (mm)
Y380P1H3CR/W300	Y381P1H3CR/W300	3	1-1/4	110	107	40.5
Y480P1H3CR/W400	Y481P1H3CR/W400	4	1-1/4	175	135	39
Y580P1H3CR/W500	Y581P1H3CR/W500	5	1-1/4	220	161	45

*steel tread guard

*P1, P2, P3 for Swivel Plate Sizes

P4, P5, or P6 for Rigid Plate Sizes

All wheels with precision ball bearings

**TL for Total Lock to Swivel Caster

DL for Directional Lock

H3 for Hole Caster

NOTE: All load ratings are for manual operation.

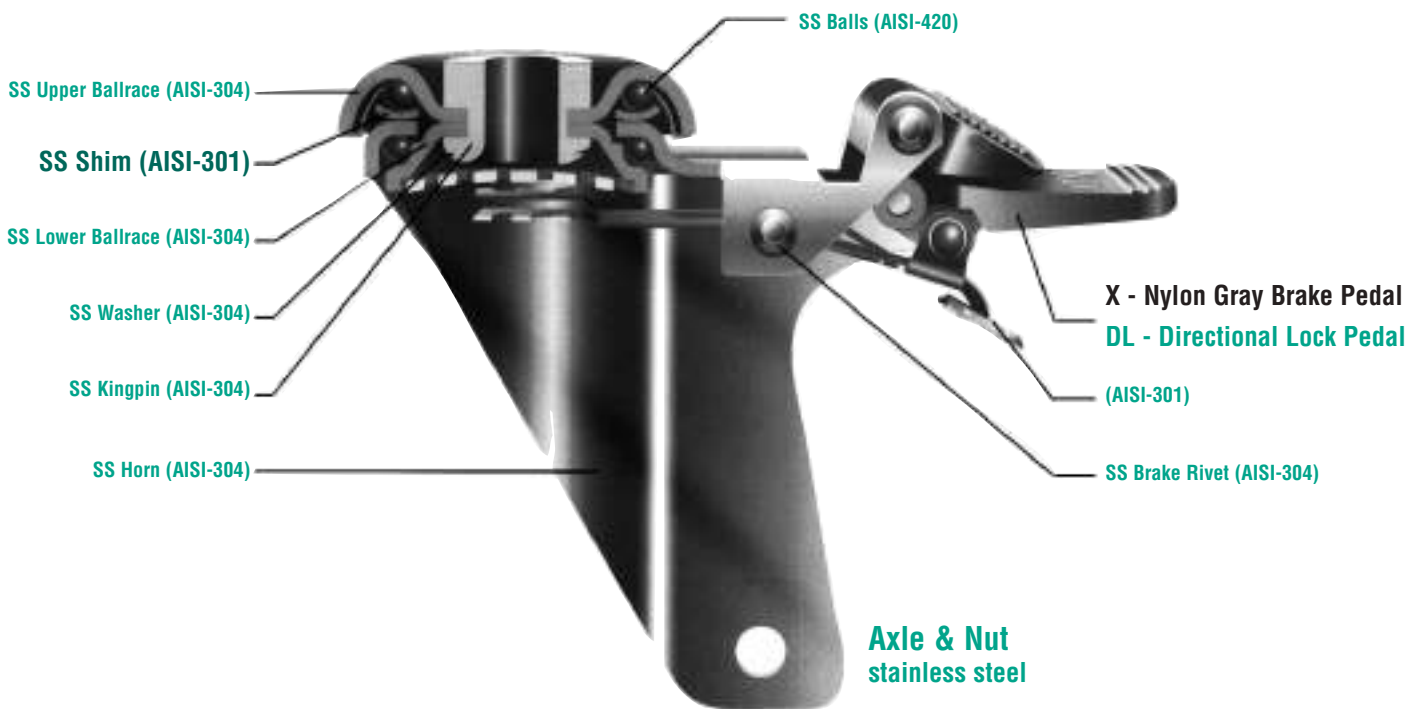
OTHER TYPE 1 1/4" WHEELS AVAILABLE FOR THIS SERIES: IE, ELASTIC RUBBER: WHITE NYLON

NYLACRON™ MD (NY/MD), NYLACRON™ MONOCAST (NY/MC), HIGH TEMP WHEELS AVAILABLE. SEE WHEEL SECTION.

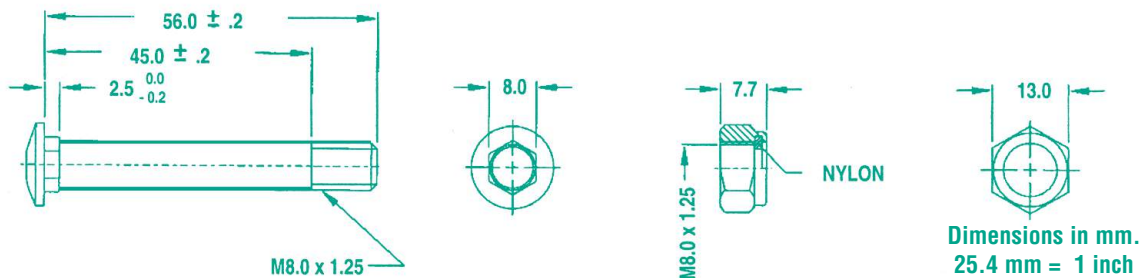
Best Value 2CSS Stainless Steel Institutional Casters for Every Application

- Food Service
 - Hotel & Catering Equipment
 - Kitchen Equipment
 - Movable Hi-tech Products
 - Institutional Equipment
- Pharmaceutical
 - Animal Cages
 - AALAS
 - Apparatus
 - Instrument Equipment Carts
- Hospital
 - Medical Equipment
 - Laboratories
 - Clean Room
 - Plastic Utility Carts

POLISHED STAINLESS STEEL - Hardened Shim with Sealed Swivel Yoke.



AXLE & NUT STAINLESS STEEL



**KR SS
WHEELS****KRYPTONIC™ WHEELS**

- Polyether Polyurethane has excellent carrying capacity.
- Straight sided slight crown shape affords an easy-rolling quiet operation.
- Greater service life and resistance to chunking, cutting and abrasive wear.

- 100% washable, steam cleanable, and resistant to most chemicals.
- Non-marking tread.
- Durometer: 58 Shore D (+/-5).
- Stainless Steel Precision Ball Bearings.
- Temperature Range: + 250°F for up to a 1/2 hour.
- **Available in 5" gray + 250°F for 5 to 6 hours.**



Part Number Swivel with Total Lock	Part Number Swivel Caster	Part Number Rigid Caster	Wheel Diameter (inch)	Tread Width (inch)	Load Capacity (lbs)	Overall Height (mm)	Swivel Radius (mm)
Y380P1SS/KR3	Y381P1SS/KR3	Y382P1SS/KR3	3	1-1/4	130	107	33
Y480P1SS/KR4	Y481P1SS/KR4	Y482P1SS/KR4	4	1-1/4	175	135	40.5
Y580P1SS/KR5	Y581P1SS/KR5	Y582P1SS/KR5	5	1-1/4	220	161	39

**ANR SS
WHEELS****ADVANCED RED RUBBER**

- 80 (+/-5) Shore (A).
- Unique soft tread wheel handles the heat for autoclave applications.
- Roll quiet and smooth ride.

- Recommended for use in hospitals, laboratories and cleanrooms.
- Corrosion resistant thermoplastics.
- Resilient tread material rejects floor debris.
- Stainless Steel Precision Ball Bearings.
- Temp Range: -190°F to +300°F.



Part Number Swivel with Total Lock	Part Number Swivel Caster	Part Number Rigid Caster	Wheel Diameter (inch)	Tread Width (inch)	Load Capacity (lbs)	Overall Height (mm)	Swivel Radius (mm)
Y480P1SS/ANR4	Y481P1SS/ANR4	Y482P1SS/ANR4	4	1-1/4	175	135	40.5
Y580P1SS/ANR5	Y581P1SS/ANR5	Y582P1SS/ANR5	5	1-1/4	220	161	39
Y680P1SS/ANR6	Y681P1SS/ANR6	Y682P1SS/ANR6	6	1-1/4	245	167	45

**NY/MC SS
WHEELS****NYLACRON™**

- Precision Machined from cast polyamide hardness 112-120 Rockwell R.
- Ultimate choice for extremely high load applications to replace metallic wheels.
- Offer very high abrasion resistance and very low rolling resistance under extreme loads.

- Resistant to salt, grease, alcohol and mild acids - can be used in corrosive applications with appropriate bearings.
- Stainless Steel Precision Ball Bearings.
- Temperature Range: -40°F to +270°F.



Part Number Swivel with Total Lock	Part Number Directional Lock	Part Number Swivel Caster	Wheel Diameter (inch)	Tread Width (inch)	Load Capacity (lbs)	Overall Height (mm)	Swivel Radius (mm)
Y380P1SS/NYMC	Y381P1SS/NYMC	Y382P1SS/NYMC	3	1-1/4	220	107	33
Y480P1SS/NYMC	Y481P1SS/NYMC	Y482P1CR/NYMC	4	1-1/4	220	135	40.5
Y580P1SS/NYMC	Y581P1SS/NYMC	Y582P1SS/NYMC	5	1-1/4	220	161	39

PRB SS WHEELS ELASTIC RUBBER

- Plastic hub material.
- Plastic 3" & Steel 4" & 5" thread guards.
- Gray color elastic rubber tire material.
- Stainless Steel Precision Ball Bearings.
- Short-term temperature range: -40°/80°C.

Part Number Swivel with Total Lock	Part Number Swivel Caster	Part Number Rigid Caster	Wheel Diameter (inch)	Tread Width (inch)	Load Capacity (lbs)	Overall Height (mm)
Y380P1SS/W324S	Y381P1SS/W324S	Y382P1SS/W324S	3	1-1/4	110	107
Y480P1SS/W424DS	Y481P1SS/W424DS	Y482P1SS/W424DS	4	1-1/4	175	135
Y580P1SS/W524DS	Y581P1SS/W524DS	Y582P1SS/W524DS	5	1-1/4	220	161
Y680P1SS/W624DS	Y681P1SS/W624DS	Y682P1SS/W624DS	6	1-1/4	220	189.5

TPU SS WHEELS POLYURETHANE WHEEL

- Anti-corrosion, stainless steel.
- Steel thread guards.
- Gray color.
- Stainless Steel Precision Ball Bearings.
- Short-term temperature range: -20°/80°C.

Part Number Swivel with Total Lock	Part Number Swivel Caster	Part Number Rigid Caster	Wheel Diameter (inch)	Tread Width (inch)	Load Capacity (lbs)	Overall Height (mm)
Y480P1SS/W400DS	Y481P1SS/W400DS	Y482P1SS/W400DS	4	1-1/4	175	135
Y580P1SS/W500DS	Y581P1SS/W500DS	Y582P1SS/W500DS	5	1-1/4	220	161
Y680P1SS/W600DS	Y681P1SS/W600DS	Y682P1SS/W600DS	6	1-1/4	220	190

PM SS WHEELS SOLID NYLON

- Steel thread guards.
- White color.
- Stainless Steel Roller Bearings.
- Short-term temperature range: -30°/+120°C.

Part Number Swivel with Total Lock	Part Number Swivel Caster	Part Number Rigid Caster	Wheel Diameter (inch)	Tread Width (inch)	Load Capacity (lbs)	Overall Height (mm)
Y380P1SS/W309RXS	Y381P1SS/W309RXS	Y382P1SS/W309RXS	3	1-1/4	110	107
Y480P1SS/W409RXS	Y481P1SS/W409RXS	Y482P1SS/W409RXS	4	1-1/4	175	135
Y580P1SS/W509RXS	Y581P1SS/W509RXS	Y582P1SS/W509RXS	5	1-1/4	220	161

RT SS WHEELS RETORT

- 75 Durometer Shore (D).
- Designed to withstand the rigors of high temperature.
- Oversized bore ID ensures smooth movement.
- Moderate crown/White finish.
- Stainless Steel Precision Ball Bearings.
- Temp Range: -20°F to +290°F.



Part Number Swivel with Total Lock	Part Number Swivel Caster	Part Number Rigid Caster	Wheel Diameter (inch)	Tread Width (inch)	Load Capacity (lbs)	Overall Height (mm)	Swivel Radius (mm)
Y380P1SS/RT3	Y381P1SS/RT3	Y382P1SS/RT3	3	1-1/4	130	107	33
Y480P1SS/RT4	Y481P1SS/RT4	Y482P1SS/RT4	4	1-1/4	175	135	40.5
Y580P1SS/RT5	Y581P1SS/RT5	Y582P1SS/RT5	5	1-1/4	220	161	39

TPR SS
WHEELSTHERMOPLASTIC GRAY TREAD
RUBBER PLASTIC HUB WITH
PLASTIC THREAD GUARD

- 70 (+/-5) Durometer Shore (A).
- Recommended for clean environments.

- Resists most solvents, oil, grease, and water.
- Non-marking.
- Smooth rolling and quiet.
- Stainless Steel Precision Ball Bearings.
- Temp Range: -45°F to +180°F.



Part Number Swivel with Total Lock	Part Number Swivel Caster	Part Number Rigid Caster	Wheel Diameter (inch)	Tread Width (inch)	Load Capacity (lbs)	Overall Height (mm)	Swivel Radius (mm)
Y480P1SS/W403DSE	Y481P1SS/W403DSE	Y482P1SS/W403DSE	4	1-1/4	130	107	33
Y580P1SS/W503DSE	Y581P1SS/W503DSE	Y582P1SS/W503DSE	5	1-1/4	175	135	40.5
Y480P1SS/W403DS*	Y481P1SS/W403DSE*	Y482P1SS/W403DSE*	4	1-1/4	130	107	33
Y580P1SS/W503DS*	Y581P1SS/W503DS*	Y582P1SS/W503DS*	5	1-1/4	175	135	40.5

*stainless steel thread guard

HE
WHEELS

HEATEATER

- 85 Durometer Shore (D +5).
- Ideal for specialty applications.
- Nylon Glass-filled wheels won't chip, absorb water, or breakdown in caustic environments.

- Temp Range: Up to 550°F, 475°F intermittent consult Acorn™.
- Stainless Steel Precision Ball Bearings.
- Moderate crown/Black finish.



Part Number Swivel with Total Lock	Part Number Swivel Caster	Part Number Rigid Caster	Wheel Diameter (inch)	Tread Width (inch)	Load Capacity (lbs)	Overall Height (mm)	Swivel Radius (mm)
Y380P1SS/HE3	Y381P1SS/HE3	Y382P1SS/HE3	3	1-1/4	110	135	40.5
Y480P1SS/HE4	Y481P1SS/HE4	Y482P1SS/HE4	4	1-1/4	175	161	39
Y580P1SS/HE5	Y581P1SS/HE5	Y582P1SS/HE5	5	1-1/4	220	167	45

P1, P2, P3 for Swivel Plate Sizes

P4, P5, or P6 for Rigid Plate Sizes

All wheels with precision ball bearings

TL for Total Lock to Swivel Caster

DL for Directional Lock

H3 for Hole Caster

NOTE: All load ratings are for manual operation.

OTHER TYPE 1 1/4" WHEELS AVAILABLE FOR THIS SERIES:

NYLACRON™ MD (NY/MD), NYLACRON™ MONOCAST (NY/MC), SOLID NYLON (PM), HIGH TEMP WHEELS AVAILABLE. SEE WHEEL SECTION.

**KR
WHEELS****KRYPTONIC™ WHEELS**

- Polyether Polyurethane has excellent carrying capacity.
- Straight sided slight crown shape affords an easy-rolling quiet operation.
- Greater service life and resistance to chinking, cutting and abrasive wear.

- 100% washable, steam cleanable, and resistant to most chemicals.
- Non-marking tread.
- Durometer: 58 Shore D (+/-5).
- Stainless Steel Precision Ball Bearings.
- Temperature Range: + 250°F for up to a 1/2 hour.
- **Available in 5" gray + 250°F for 5 to 6 hours.**



Part Number Swivel with Total Lock	Part Number Swivel Caster	Wheel Diameter (inch)	Tread Width (inch)	Load Capacity (lbs)	Overall Height (mm)	Swivel Radius (mm)
Y380P1H3SS/KR3	Y380P1H3SS/KR3	3	1-1/4	300	107	33
Y480P1H3SS/KR4	Y481P1H3SS/KR4	4	1-1/4	300	135	40.5
Y580P1H3SS/KR5	Y581P1H3SS/KR5	5	1-1/4	300	161	39

**ANR
WHEELS****ADVANCED RED RUBBER**

- 80 (+/-5) Shore (A).
- Unique soft tread wheel handles the heat for autoclave applications.
- Roll quiet and smooth ride.

- Recommended for use in hospitals, laboratories and cleanrooms.
- Corrosion resistant thermoplastics.
- Resilient tread material rejects floor debris.
- Stainless Steel Precision Ball Bearings.
- Temp Range: -190°F to +300°F.



Part Number Swivel with Total Lock	Part Number Swivel Caster	Wheel Diameter (inch)	Tread Width (inch)	Load Capacity (lbs)	Overall Height (mm)	Swivel Radius (mm)
Y480P1H3SS/ANR4	Y481P1H3SS/ANR4	4	1-1/4	175	135	40.5
Y580P1H3SS/ANR5	Y581P1H3SS/ANR5	5	1-1/4	220	161	39
Y680P1H3SS/ANR6	Y681P1H3SS/ANR6	6	1-1/4	245	167	45

**RT
WHEELS****RETORT**

- 75 Durometer Shore (D).
- Designed to withstand the rigors of high temperature.

- Oversized bore ID ensures smooth movement.
- Moderate crown/white finish.
- Stainless Steel Precision Ball Bearings.
- Temp Range: -20°F to +290°F.



Part Number Swivel with Total Lock	Part Number Swivel Caster	Wheel Diameter (inch)	Tread Width (inch)	Load Capacity (lbs)	Overall Height (mm)	Swivel Radius (mm)
Y380P1H3SS/RT3	Y381P1H3SS/RT3	3	1-1/4	130	107	33
Y480P1H3SS/RT4	Y481P1H3SS/RT4	4	1-1/4	175	135	40.5
Y580P1H3SS/RT5	Y581P1H3SS/RT5	5	1-1/4	220	161	39

FOR ALL STEM OPTIONS AVAILABLE IN THIS CATEGORY GO TO PAGE 4.

**PRB
WHEELS****ELASTIC RUBBER**

- Plastic hub material.
- Plastic 3" & Steel 4" & 5" thread guards.
- Gray color elastic rubber tire material.
- Stainless Steel Precision Ball Bearings.
- Short-term temperature range: -40°/80°C.

Part Number Swivel with Total Lock	Part Number Swivel Caster	Wheel Diameter (inch)	Tread Width (inch)	Load Capacity (lbs)	Overall Height (mm)
Y380P1H3SS/W324S	Y381P1H3SS/W324S	3	1-1/4	110	107
Y480P1H3SS/W424DS	Y481P1H3SS/W424DS	4	1-1/4	175	135
Y580P1H3SS/W524DS	Y581P1H3SS/W524DS	5	1-1/4	220	161

**TPR SS
WHEELS****THERMOPLASTIC GRAY TREAD RUBBER PLASTIC HUB WITH PLASTIC THREAD GUARD**

- 70 (+/-5) Durometer Shore (A).
- Recommended for clean environments.
- Resists most solvents, oil, grease, and water.
- Non-marking.
- Smooth rolling and quiet.
- Stainless Steel Precision Ball Bearings.
- Temp Range: -45°F to +180°F.



Part Number Swivel with Total Lock	Part Number Swivel Caster	Wheel Diameter (inch)	Tread Width (inch)	Load Capacity (lbs)	Overall Height (mm)	Swivel Radius (mm)
Y480P1H3SS/TPR4	Y481P1H3SS/TPR4	4	1-1/4	130	107	33
Y580P1H3SS/TPR5	Y581P1H3SS/TPR5	5	1-1/4	175	135	40.5
Y480P1H3SS/TPR4*	Y481P1H3SS/TPR4*	4	1-1/4	130	107	33
Y580P1H3SS/TPR5*	Y581P1H3SS/TPR5*	5	1-1/4	175	135	40.5

*stainless steel thread guard

**HE
WHEELS****HEATEATER**

- 85 Durometer Shore (D +5).
- Ideal for specialty applications.
- Nylon Glass-filled wheels won't chip, absorb water, or breakdown in caustic environments.
- Temp Range: Up to 550°F, 475°F intermittent consult Acorn™.
- Stainless Steel Precision Ball Bearings.
- Moderate crown/black finish.



Part Number Swivel with Total Lock	Part Number Swivel Caster	Wheel Diameter (inch)	Tread Width (inch)	Load Capacity (lbs)	Overall Height (mm)	Swivel Radius (mm)
Y380P1H3SS/HE3	Y380P1H3SS/HE3	3	1-1/4	110	135	40.5
Y480P1H3SS/HE4	Y480P1H3SS/HE4	4	1-1/4	175	161	39
Y580P1H3SS/HE5	Y580P1H3SS/HE5	5	1-1/4	220	167	45

P1, P2, P3 for Swivel Plate Sizes

P4, P5, or P6 for Rigid Plate Sizes

All wheels with precision ball bearings

TL for Total Lock to Swivel Caster

DL for Directional Lock

H3 for Hole Caster

NOTE: All load ratings are for manual operation.

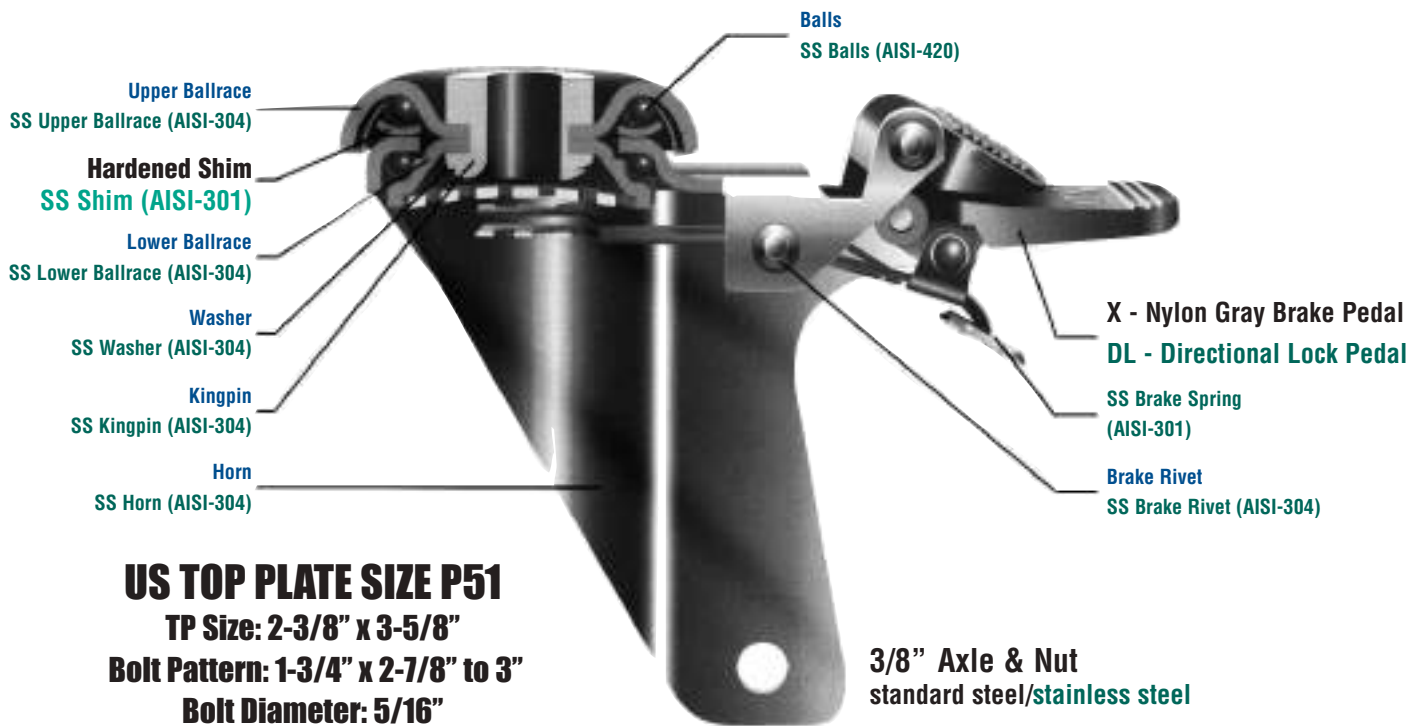
OTHER TYPE 1 1/4" WHEELS AVAILABLE FOR THIS SERIES:

NYLACRON™ MD (NY/MD), NYLACRON™ MONOCAST (NY/MC), SOLID NYLON (PM), HIGH TEMP WHEELS AVAILABLE. SEE WHEEL SECTION.

2C POLISHED CHROME FINISH PLATE CASTERS US TOP PLATE P51

POLISHED CHROME -
Hardened Shim with Sealed Swivel Yoke.

POLISHED STAINLESS STEEL -
Hardened Shim with Sealed Swivel Yoke.



Swivel Caster with Total Lock
X Gray Nylon Brake Pedal



Directional Lock
Green Nylon Petal



Swivel Caster



2C POLISHED CHROME FINISH PLATE CASTERS US TOP PLATE P51

KR WHEELS

KRYPTONIC™ WHEELS

- Polyether Polyurethane has excellent carrying capacity.
- Straight sided slight crown shape affords an easy-rolling quiet operation.
- Greater service life and resistance to chunking, cutting and abrasive wear.
- 100% washable, steam cleanable, and resistant to most chemicals.
- Non-marking tread.
- Durometer: 58 Shore D (+/-5).
- Stainless Steel Precision Ball Bearings.
- Temperature Range: + 250°F for up to a 1/2 hour.
- Available in 5" gray + 250°F for 5 to 6 hours.



Part Number Swivel with Total Lock	Part Number Directional Lock	Wheel Diameter (inch)	Tread Width (inch)	Load Capacity (lbs)	Overall Height (mm)	Swivel Radius (mm)
Y380XP51/KR3	Y381XDP51/KR3	3	1-1/4	300	107	33
Y480XP51/KR4	Y481XDP51/KR4	4	1-1/4	300	135	40.5
Y580XP51/KR5	Y581XDP51/KR5	5	1-1/4	300	161	39

ANR WHEELS

ADVANCED RED RUBBER

- 80 (+5) Shore (A).
- Unique soft tread wheel handles the heat for autoclave applications.
- Roll quiet and smooth ride.
- Recommended for use in hospitals, laboratories and cleanrooms.
- Corrosion resistant thermoplastics.
- Resilient tread material rejects floor debris.
- Stainless Steel Precision Ball Bearings.
- Temp Range: -190°F to +300°F.



Part Number Swivel with Total Lock	Part Number Directional Lock	Wheel Diameter (inch)	Tread Width (inch)	Load Capacity (lbs)	Overall Height (mm)	Swivel Radius (mm)
Y480XP51/ANR4	Y481XDP51/ANR4	4	1-1/4	175	135	40.5
Y580XP51/ANR5	Y581XDP51/ANR5	5	1-1/4	220	161	39
Y680XP51/ANR6	Y681XDP51/ANR6	6	1-1/4	245	167	45

RT WHEELS

RETORT

- 75 Durometer Shore (D).
- Designed to withstand the rigors of high temperature.
- Oversized bore ID ensures smooth movement.
- Plain bore.
- Moderate crown/White finish.
- Temp Range: -20°F to +290°F.



Part Number Swivel with Total Lock	Part Number Directional Lock	Wheel Diameter (inch)	Tread Width (inch)	Load Capacity (lbs)	Overall Height (mm)	Swivel Radius (mm)
Y380XP51/RT3	Y381XDP51/RT3	3	1-1/4	130	107	33
Y480XP51/RT4	Y481XDP51/RT4	4	1-1/4	175	135	40.5
Y580XP51/RT5	Y581XDP51/RT5	5	1-1/4	220	161	39

TPR WHEELS

THERMOPLASTIC GRAY TREAD RUBBER PLASTIC HUB.

- 70 (+/-5) Durometer Shore (A).
- Recommended for clean environments.
- Resists most solvents, oil, grease, and water.
- Non-marking.
- Smooth rolling and quiet.
- Precision Ball Bearings.
- Temp Range: -45°F to +180°F.



Part Number Swivel with Total Lock	Part Number Directional Lock	Wheel Diameter (inch)	Tread Width (inch)	Load Capacity (lbs)	Overall Height (mm)	Swivel Radius (mm)
Y380XP51/W312	Y381XDP51/W312	3	1-1/4	130	107	33
Y480XP51/W412	Y481XDP51/W412	4	1-1/4	175	135	40.5
Y580XP51/W512	Y581XDP51/W512	5	1-1/4	220	161	39

2C POLISHED CHROME FINISH PLATE CASTERS US TOP PLATE P51



NY/MC WHEELS

NYLACRON™

- Precision Machined from cast polyamide hardness 112-120 Rockwell R.
- Ultimate choice for extremely high load applications to replace metallic wheels.
- Offer very high abrasion resistance and very low rolling resistance under extreme loads.

- Resistant to salt, grease, alcohol and mild acids - can be used in corrosive applications with appropriate bearings.
- Precision Ball Bearings or Plain Bore.
- Temperature Range: -40°F to +270°F.

Part Number Swivel with Total Lock	Part Number Directional Lock	Wheel Diameter (inch)	Tread Width (inch)	Load Capacity (lbs)	Overall Height (mm)	Swivel Radius (mm)
Y380XP51/NYMC	Y381XDP51/NYMC	3	1-1/4	220	107	33
Y480XP51/NYMC	Y481XDP51/NYMC	4	1-1/4	220	135	40.5
Y580XP51/NYMC	Y581XDP51/NYMC	5	1-1/4	220	161	39



PRB WHEELS

ELASTIC RUBBER

- Plastic hub material.
- Plastic 3" & Steel 4" & 5" thread guards.
- Gray color elastic rubber tire material.

- Precision Ball Bearings.
- Short-term temperature range: -40°/80°C.

Part Number Swivel with Total Lock	Part Number Directional Lock	Wheel Diameter (inch)	Tread Width (inch)	Load Capacity (lbs)	Overall Height (mm)	Swivel Radius (mm)
Y380XP51/PRB	Y381XDP51/PRB	3	1-1/4	240	107	33
Y480XP51/PRB	Y481XDP51/PRB	4	1-1/4	240	135	40.5
Y580XP51/PRB	Y581XDP51/PRB	5	1-1/4	240	161	39



SRB WHEELS

ELASTIC RUBBER

- Pressed steel hub material.
- Steel thread guards.
- Gray color elastic rubber tire material.

- Precision Ball Bearings.
- Short-term temperature range: -40°/80°C.

Part Number Swivel with Total Lock	Part Number Directional Lock	Wheel Diameter (inch)	Tread Width (inch)	Load Capacity (lbs)	Overall Height (mm)	Swivel Radius (mm)
Y480XP51/SRB	Y480XDP51/SRB	4	1-1/4	240	135	40.5
Y580XP51/SRB	Y580XDP51/SRB	5	1-1/4	240	161	39
Y680XP51/SRB	Y680XDP51/SRB	6	1-1/4	240	167	45

2C POLISHED CHROME FINISH PLATE CASTERS US TOP PLATE P51



TPR/AS WHEELS

ANTI-STATIC PLASTIC HUB, GRAY COLOR CONDUCTIVE THERMOPLASTIC RUBBER TREAD

- 70 (+/-5) Durometer Shore (A).
- Anti-static plastic hub.

- Non-marking.
- Easy rolling, impact resistant and shock absorbing.
- Precision Ball Bearings.
- Temp Range: -40°F to +120°F.

Part Number Swivel with Total Lock	Part Number Directional Lock	Wheel Diameter (inch)	Tread Width (inch)	Load Capacity (lbs)	Overall Height (mm)	Swivel Radius (mm)
Y480XP51/AS4	Y481XDP51/AS4	4	1-1/4	240	135	40.5
Y580XP51/AS5	Y581XDP51/AS5	5	1-1/4	240	161	39
Y680XP51/AS6	Y681XDP51/AS6	6	1-1/4	240	167	45



TPU WHEELS

PLASTIC HUB, GRAY COLOR POLYURETANE TREAD

- 95 (+/-5) Durometer Shore (A).
- Plastic hub.

- Non-marking.
- High impact and abrasion resistant.
- Precision Ball Bearings.
- Temp Range: -40°F to +180°F.

Part Number Swivel with Total Lock	Part Number Directional Lock	Wheel Diameter (inch)	Tread Width (inch)	Load Capacity (lbs)	Overall Height (mm)	Swivel Radius (mm)
Y380XP51/TPU3	Y381XDP51/TPU3	3	1-1/4	240	107	33
Y480XP51/TPU4	Y481XDP51/TPU4	4	1-1/4	240	135	40.5
Y580XP51/TPU5	Y581XDP51/TPU5	5	1-1/4	240	161	39

*steel tread guard

2C POLISHED CHROME FINISH PLATE CASTERS US TOP PLATE P51

KR SS WHEELS



KRYPTONIC™ WHEELS

- Polyether Polyurethane has excellent carrying capacity.
- Straight sided slight crown shape affords an easy-rolling quiet operation.
- Greater service life and resistance to chunking, cutting and abrasive wear.
- 100% washable, steam cleanable, and resistant to most chemicals.
- Non-marking tread.
- Durometer: 58 Shore D (+/-5).
- Stainless Steel Precision Ball Bearings.
- Temperature Range: + 250°F for up to a 1/2 hour.
- **Available in 5" gray + 250°F for 5 to 6 hours.**

Part Number Swivel with Total Lock	Part Number Directional Lock	Wheel Diameter (inch)	Tread Width (inch)	Load Capacity (lbs)	Overall Height (mm)	Swivel Radius (mm)
Y380XP51SS/KR3	Y381XDP51SS/KR3	3	1-1/4	130	107	33
Y480XP51SS/KR4	Y481XDP51SS/KR4	4	1-1/4	175	135	40.5
Y580XP51SS/KR5	Y581XDP51SS/KR5	5	1-1/4	220	161	39

ANR SS WHEELS



ADVANCED RED RUBBER

- 80 (+/-5) Shore (A).
- Unique soft tread wheel handles the heat for autoclave applications.
- Roll quiet and smooth ride.
- Recommended for use in hospitals, laboratories and cleanrooms.
- Corrosion resistant thermoplastics.
- Resilient tread material rejects floor debris.
- Stainless Steel Precision Ball Bearings.
- Temp Range: -190°F to +300°F.

Part Number Swivel with Total Lock	Part Number Directional Lock	Wheel Diameter (inch)	Tread Width (inch)	Load Capacity (lbs)	Overall Height (mm)	Swivel Radius (mm)
Y480XP51SS/ANR4	Y481XDP51SS/ANR4	4	1-1/4	175	135	40.5
Y580XP51SS/ANR5	Y581XDP51SS/ANR5	5	1-1/4	220	161	39
Y680XP51SS/ANR6	Y681XDP51SS/ANR6	6	1-1/4	245	167	45

NY/MC SS WHEELS



NYLACRON™

- Precision Machined from cast polyamide hardness 112-120 Rockwell R.
- Ultimate choice for extremely high load applications to replace metallic wheels.
- Offer very high abrasion resistance and very low rolling resistance under extreme loads.
- Resistant to salt, grease, alcohol and mild acids - can be used in corrosive applications with appropriate bearings.
- Precision Ball Bearings.
- Temperature Range: -40°F to +270°F.

Part Number Swivel with Total Lock	Part Number Directional Lock	Wheel Diameter (inch)	Tread Width (inch)	Load Capacity (lbs)	Overall Height (mm)	Swivel Radius (mm)
Y380XP51SS/NYMC	Y381XDP51SS/NYMC	3	1-1/4	220	107	33
Y480XP51SS/NYMC	Y481XDP51SS/NYMC	4	1-1/4	220	135	40.5
Y580XP51SS/NYMC	Y581XDP51SS/NYMC	5	1-1/4	220	161	39

2 2J PLATE & STEM CASTERS

J FEATURES

Load Capacity Up to 325 lbs.

- Finish: bright zinc plating to resist rust and corrosion
- Design: heavy gauge cold rolled steel, formed for strength
- Dust Cap: all swivel models feature dust cap which protects swivel raceway bearings and improves performance
- Swivel Construction: double ball bearing with hardened raceways
- Axle: 3/8" diameter bolt with lock nut
- Kingpin: 1/2" steel rivet, hydraulically upset

CASTER OPTIONS

- PB/SS** Posi-loc brake - PB/SS - swivel only
VB/SS Vertilok brake - swivel only
GS/SSZ Grease Seals with zerks - swivel only

PLATE MOUNTING OPTIONS

- Top Plate Sizes (swivel & rigid): to order, add Plate Mounting Code to end of model number (Example: 5-30-105 PLT 1)

Mounting Code	Top Plate Size	Bolt Hole Spacing	Mounting Bolt Size
PLT 1	2-3/8 x 3-5/8	1-3/4 x 3	1/4
PLT 2	2-3/8 x 3-5/8	1-3/4 x 3	5/16
PLT 3	3-1/8 x 4-1/8	2-3/8 x 3-7/16	5/16



2JGF5S
Swivel

2JHR5R
Rigid

2 2J OPTIONS



**SERIES J
2JPG5SGS5
GRIP STEM**



**SERIES J
2JPW5STS5
THREADED STEM**



**SERIES J
2JHR5SES9
EXPANDED STEM**

J GRIP STEM MOUNTING OPTIONS

- J Grip Stem: to order, specify GS to the caster model number (Example: 2JPG5SGS1).

Stem Code	Round Stem Sizes
GS1	3/4" diameter x 2-3/16" long
GS2	13/16" diameter x 2-3/16" long
GS3	.845" diameter x 2-3/16" long
GS4	.865" diameter x 2-3/16" long
GS5	1" diameter x 2-3/16" long

Stem Code	Square Stem Sizes
GS6	.860" SQUARE x 2-3/16" long

J THREADED STEM MOUNTING OPTIONS

- J Threaded Stem Sizes: to order, specify stem code number and add to end of caster model number (Example: 2JPW5STS1).

Stem Code	Stem Sizes
TS1	1/2" dia. -13 x 3/4" long
TS2	1/2" dia. -13 x 1" long
TS3	1/2" dia. -13 x 1-1/2" long
TS4	1/2" dia. -20 x 3/4" long
TS5	1/2" dia. -20 x 2-1/4" long
TS6	5/8" dia. -11 x 1-1/4" long
TS7	5/8" dia. - 18 x 1-3/4" long
TS8	3/4" dia. - 10 x 1" long
TS9	3/4" Pipe Thread (1" actual stem diameter)
TS10	1" Pipe Thread (1-1/4" actual stem diameter)
TS11	1-1/4" Pipe Thread (1-1/2" actual stem diameter)

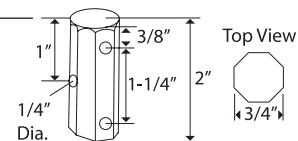
J EXPANDED STEM MOUNTING OPTIONS

- See chart below for adapter sizes and matching tube sizes. To order, add adapter number to end of model number (Example: 2JHR5SES9).
- Threaded stem size (less adapter): 1/2" diameter x 2- 3/4" long.

Adapter #	Tubing I.D.	Adapter #	Tubing I.D.
ES9	3/4"	ES17 B	1-3/16"
ES11	7/8"	ES19 C	1-3/8"
ES13	1"	ES19 A	1-1/2"
ES15	1-1/8"	ES21	1-7/8"

J OCTAGON STEM

Standard Octagon Stem Size: OC
3/4" octagon 2" long with 3 cross-drilled mounting holes.



Diameter (inch)	Tread Width (inch)	Wheel Type	Bearing Type	Capacity (lbs.)	Weight Number*	Load Height (lbs.)	Swivel (inch)	Swivel Model Number*	Rigid model Radius
3	1-1/4	Cushion Rubber	Ball	150	1-3/4	4-1/8	3	2JCR3S	2JCR3R
3	1-1/4	Hard Rubber	Ball	220	1-3/4	4-1/8	3	2JHR3S	2JHR3R
3-1/2	1-1/4	Cushion Rubber	Ball	160	2	4-5/8	3-1/4	2JCR35S	2JCR35R
3-1/2	1-1/4	Welded Disc/Black Rubber	Ball	200	2-3/16	4-5/8	3-1/4	2JWDBR35S	2JWDBR35R
3-1/2	1-1/4	Welded Disc/Gray Rubber	Ball	225	2-3/16	4-5/8	3-1/4	2JWDGR35S	2JWDGR35R
3-1/2	1-1/4	Advantage TPR/Round	Ball	225	2-3/16	4-5/8	3-1/4	2JATPRR35S	2JATPRR35R
3-1/2	1-1/4	Advantage Heat Round	S.S. Ball	225	2-3/16	4-5/8	3-1/4	2JAHR35S	2JAHR35R
3-1/2	1-1/4	Advantage Heat Flat	S.S. Ball	225	2-3/16	4-5/8	3-1/4	2JAHF35S	2JAHF35R
3-1/2	1-1/4	Advantage Health	S.S. Ball	225	2-3/16	4-5/8	3-1/4	2JAH35S	2JAH35R
3-1/2	1-1/4	Hard Rubber	Ball	230	2-3/16	4-5/8	3-1/4	2JHR35S	2JHR35R
3-1/2	1-1/4	Welded Disc/Polyurethane	Ball	250	2-3/16	4-5/8	3-1/4	2JWDP35S	2JWDP35R
3-1/2	1-1/4	Advantage TPR/Flat	Flat Ball	250	2-3/16	4-5/8	3-1/4	2JATPRF35S	2JATPRF35R
3-1/2	1-1/4	PolyLoc/Gray	Ball	250	2-3/16	4-5/8	3-1/4	2JPG35S	2JPG35R
3-1/2	1-1/4	PolyLoc/Blue	Ball	250	2-3/16	4-5/8	3-1/4	2JPB35S	2JPB35R
4	1-1/4	Cushion Rubber	Ball	170	2-3/8	5-1/8	3-1/2	2JCR4S	2JCR4R
4	1-1/4	Welded Disc/Black Rubber	Ball	200	2-1/2	5-1/8	3-1/2	2JWDBR4S	2JWDBR4R
4	1-1/4	Welded Disc/Gray Rubber	Ball	200	2-1/2	5-1/8	3-1/2	2JWDGR4S	2JWDGR4R
4	1-1/4	Hard Rubber	Ball	250	2-3/8	5-1/8	3-1/2	2JHR4S	2JHR4R
4	1-1/4	Advantage TPR/Round	Ball	250	2-1/2	5-1/8	3-1/2	2JATPRR4S	2JATPRR4R
4	1-1/4	Welded Disc/Polyurethane	Ball	275	2-1/2	5-1/8	3-1/2	2JWDP4S	2JWDP4R
4	1-1/4	PolyLoc/Gray	Ball	275	2-1/2	5-1/8	3-1/2	2JPG4S	2JPG4R
4	1-1/4	PolyLoc/Blue	Ball	275	2-1/2	5-1/8	3-1/2	2JPB4S	2JPB4R
4	1-1/4	Advantage TPR/Flat	Ball	300	2-1/2	5-1/8	3-1/2	2JATPRF4S	2JATPRF4R
4	1-1/4	Advantage Heat/Round	S.S. Ball	300	2-1/2	5-1/8	3-1/2	2JAHR4S	2JAHR4R
4	1-1/4	Advantage Heat/Flat	S.S. Ball	300	2-1/2	5-1/8	3-1/2	2JAHF4S	2JAHF4R
4	1-1/4	Advantage Health	S.S. Ball	300	2-1/2	5-1/8	3-1/2	2JAH4S	2JAH4R
5	1-1/4	Cushion Rubber	Ball	200	2-3/4	6-1/4	4	2JCR5S	2JCR5R
5	1-1/4	Welded Disc/Black Rubber	Ball	200	3	6-1/4	4	2JWDBR5S	2JWDBR5R
5	1-1/4	Welded Disc/Gray Rubber	Ball	200	3	6-1/4	4	2JWDGR5S	2JWDGR5R
5	1-1/4	Advantage TPR/Round	Ball	250	3	6-1/4	4	2JATPRR5S	2JATPR5R
5	1-1/4	Hard Rubber	Ball	280	2-3/4	6-1/4	4	2JHR5S	2JHR5R
5	1-1/4	Welded Disc/Polyurethane	Ball	300	3	6-1/4	4	2JWDP5S	2JWDP5R
5	1-1/4	PolyLoc/Gray	Ball	300	3	6-1/4	4	2JPG5S	2JPG5R
5	1-1/4	PolyLoc/Blue	Ball	300	3	6-1/4	4	2JPB5S	2JPB5R
5	1-1/4	Polyolefin	Ball	300	3	6-1/4	4	2JPO5S	2JPO5R
5	1-1/4	Advantage Heat Round	S.S. Ball	300	3	6-1/4	4	2JAHR5S	2JAHR5R
5	1-1/4	Advantage Heat/Flat	S.S. Ball	300	3	6-1/4	4	2JAHF5S	2JAHF5R
5	1-1/4	Advantage Health	S.S. Ball	300	3	6-1/4	4	2JAH5S	2JAH5R
5	1-1/4	Advantage TPR/Flat	Ball	325	3	6-1/4	4	2JATPRF5S	2JATPRF5R
6	1-1/4	Welded Disc/Black Rubber	Ball	250	3-3/4	7-1/4	4-1/2	2JWDBR6S	2JWDBR6R
6	1-1/4	Welded Disc/Gray Rubber	Ball	250	3-3/4	7-1/4	4-1/2	2JWDGR6S	2JWDGR6R
6	1-1/4	Hard Rubber	Ball	300	3-1/8	7-1/4	4-1/2	2JHR6S	2JHR6R
6	1-1/4	Welded Disc/Polyurethane	Ball	300	3-3/4	7-1/4	4-1/2	2JWDP6S	2JWDP6R
6	1-1/4	Advantage TPR/Round	Ball	300	3-3/4	7-1/4	4-1/2	2JATPRR6S	2JATPR6R
6	1-1/4	PolyLoc/Gray	Ball	300	3-3/4	7-1/4	4-1/2	2JPG6S	2JPG6R
6	1-1/4	PolyLoc/Blue	Ball	300	3-3/4	7-1/4	4-1/2	2JPB6S	2JPB6R
6	1-1/4	Advantage Heat Round	S.S. Ball	325	3-3/4	7-1/4	4-1/2	2JAHR6S	2JAHR6R
6	1-1/4	Advantage Heat/Flat	S.S. Ball	325	3-3/4	7-1/4	4-1/2	2JAHF6S	2JAHF6R
6	1-1/4	Advantage Health	S.S. Ball	325	3-3/4	7-1/4	4-1/2	2JAH6S	2JAH6R

See Wheel Section for additional wheels to fit this series. Any type 1 1/4" wheel will fit this series.

2

2JSS STAINLESS STEEL TOP PLATE CASTERS

J STAINLESS STEEL FEATURES

Load Capacity Up to 325 lbs.

- Finish: Polished stainless steel
- Dust Cap: all swivel models feature dust cap which protects swivel raceway bearings and improves performance
- Swivel Construction: stainless steel grade 440 ball bearings with hardened double raceway construction. Bearings are magnetic
- Axle: 3/8" diameter stainless steel axle with lock nut
- Kingpin: 1/2" stainless steel rivet, hydraulically upset
- Grease Temperature Range: -45°F to +260°F



2JSSPG5S Swivel

2JSSPH5R Rigid

CASTER OPTIONS ADD TO END OF MODEL NUMBER

- PL** Posi-loc brake - PB/SS - swivel only
- VL** Vertilok brake - swivel only
- GS** Grease Seals with zerks - swivel only
- TG** Tread Guards - see wheel section
- SL** Swivel Lock

PLATE MOUNTING OPTIONS

- Top Plate Sizes (swivel & rigid): to order, add Plate Mounting Code to end of model number (Example: 5-S30-314G PLT 2).

Mounting Code	Top Plate Size	Bolt Hole Spacing	Mounting Bolt Size
PLT 2	2-3/8" x 3-5/8"	1-3/4" x 3"	5/16"
PLT 3	3-1/8" x 4-1/8"	2-3/8" x 3-7/16"	5/16"

2 2JSS STAINLESS STEEL OPTIONS



2JSSPG5SGR1
Stainless Steel
Grip Stem



2JSSWDP5STS1
Stainless Steel
Threaded Stem



2JSSP05SES9
Stainless Steel
Expanded Stem

GRIP STEM MOUNTING OPTIONS

- **J STAINLESS STEEL** Grip Stem: to order, specify JSS & add to the caster model number (Example: 2JSSPG5SGR1).

Stem Code	Round Stem Sizes
GR1	3/4" diameter x 2-3/16" long
GR2	13/16" diameter x 2-3/16" long
GR3	.845" diameter x 2-3/16" long
GR4	.865" diameter x 2-3/16" long
GR5	1" diameter x 2-3/16" long

Stem Code	Square Stem Sizes
GR6	.860" SQUARE x 2-3/16" long

THREADED STEM MOUNTING OPTIONS

- **S36** Threaded Stem Sizes: to order, specify stem code number and add to end of caster model number (Example: 2JSSWDP5STS1).

Stem Code	Stem Sizes
TS1	1/2" dia. -13 x 3/4" long
TS2	1/2" dia. -13 x 1" long
TS3	1/2" dia. -13 x 1-1/2" long
TS4	1/2" dia. -20 x 3/4" long
TS5	1/2" dia. -20 x 2-1/4" long
TS6	5/8" dia. -11 x 1-1/4" long
TS7	5/8" dia. - 18 x 1-3/4" long
TS8	3/4" dia. - 10 x 1" long
TS9	3/4" Pipe Thread (1" actual stem diameter)
TS10	1" Pipe Thread (1-1/4" actual stem diameter)
TS11	1-1/4" Pipe Thread (1-1/2" actual stem diameter)

EXPANDED STEM MOUNTING OPTIONS

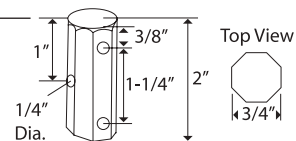
- See chart below for adapter sizes and matching tube sizes. To order, add adapter number to end of model number (Example: 2JSSP05SES9).
- Threaded stem size (less adapter): 1/2" diameter x 2- 3/4" long.

Adapter #	Tubing I.D.	Adapter #	Tubing I.D.
ES9	3/4"	ES17 B	1-3/16"
ES11	7/8"	ES19 C	1-3/8"
ES13	1"	ES19 A	1-1/2"
ES15	1-1/8"	ES21	1-7/8"

OCTAGON STEM

Standard Octagon Stem Size: OC

3/4" octagon 2" long with 3 cross-drilled mounting holes.



2

2JSS STAINLESS SWIVEL & RIGID CASTERS

Diameter (inch)	Tread Width	Wheel Type	Bearing Type	Capacity (lbs.)	Weight (lbs.)	Load Height	Swivel Radius	Swivel Model #	Rigid Model #
4	1-1/4	Polyolefin	SS Sleeve	300	2-1/4	5-1/16	3-1/2	2JSSP04S	2JSSP04R
4	1-1/4	Advantage Heat Flat ¹	SS Ball	300	2-1/4	5-1/16	3-1/2	2JSSAHF4S	2JSSAHF4R
4	1-1/4	Advantage Health	SS Ball	300	2-1/4	5-1/16	3-1/2	2JSSAH4S	2JSSAH4R
4	1-1/2	Phenolic	SS Sleeve	300	2-1/4	5-1/16	3-1/2	2JSSPH4S	2JSSPH4R
5	1-1/4	Advantage TPR/Round ²	SS Ball	250	2-3/4	6-1/8	4	2JSSATPRR5S	2JSSATPRR5R
5	1-1/4	Polyolefin	SS Sleeve	300	2-3/4	6-1/8	4	2JSSP05S	2JSSP05R
5	1-1/4	Welded Disc/polyurethane	SS Sleeve	300	2-3/4	6-1/8	4	2JSSWDP5S	2JSSWDP5R
5	1-1/4	PolyLoc/Gray ²	SS Ball	300	2-3/4	6-1/8	4	2JSSPG5S	2JSSPG5R
5	1-1/4	Advantage Heat Flat ¹	SS Ball	300	2-3/4	6-1/8	40	2JSSAHF5S	2JSSAHF5R
5	1-1/4	Advantage Health	SS Ball	300	2-3/4	6-1/8	4	2JSSAH5S	2JSSAH5R
5	1-1/2	Phenolic	SS Sleeve	300	2-3/4	6-1/8	4	2JSSPH5S	2JSSPH5R
6	1-1/4	Polyolefin	SS Sleeve	300	3-1/4	7-3/16	4-1/2	2JSSP06S	2JSSP06R
6	1-1/4	PolyLoc/Gray ¹	SS Ball	300	3-1/4	7-3/16	4-1/2	2JSSPG6S	2JSSPG6R
6	1-1/4	Advantage Heat Flat	SS Ball	325	3-1/4	7-3/16	4-1/2	2JSSAHF6S	2JSSAHF6R
6	1-1/4	Advantage Health	SS Ball	325	3-1/4	7-3/16	4-1/2	2JSSAH6S	2JSSAH6R
6	1-1/2	Phenolic	SS Sleeve	300	3-1/4	7-3/16	4-1/2	2JSSPH6S	2JSSPH6R

¹ Delrin bearing also available, consult factory.

² Advantage Heat round treads also available, change AHR.

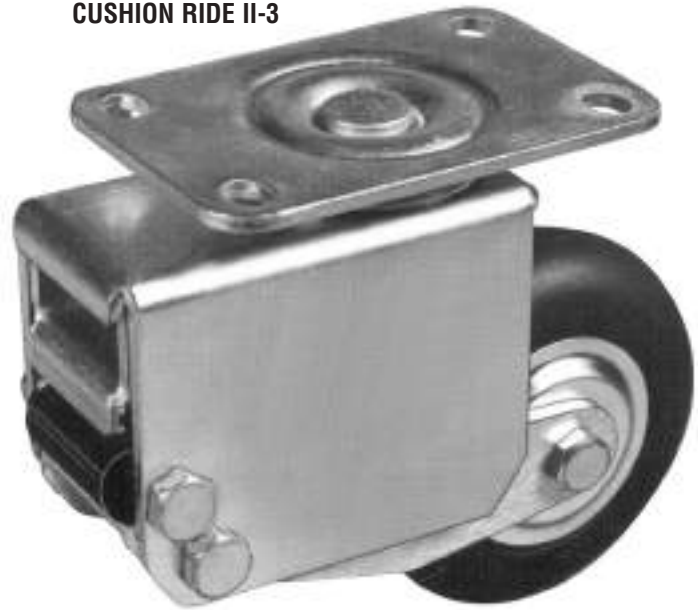
2 2DSA SHOCK ABSORBING CASTER

The cushion ride is a shock absorbing caster specifically designed for laboratory & office equipment which requires protection from shock and vibration. The unique design (Non-linear Deflection vs. Load) gives vertical wheel deflection in response to light load and will provide protection against heavier shock loads.

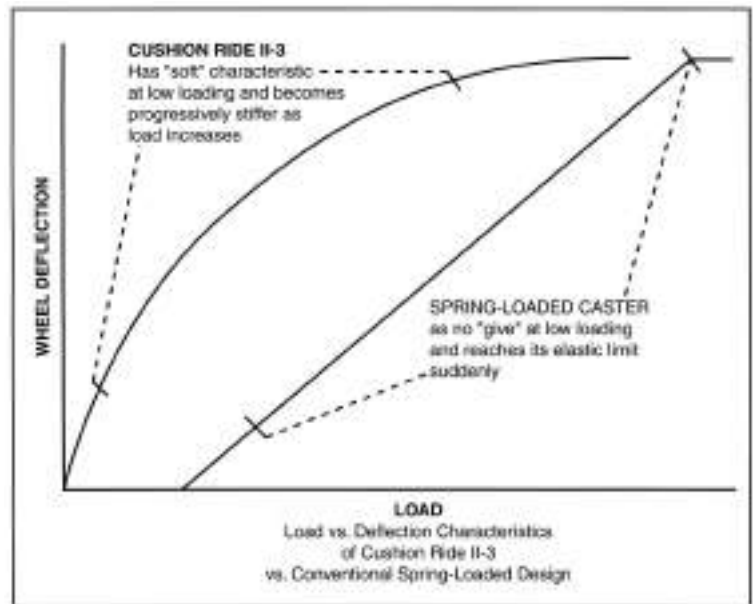
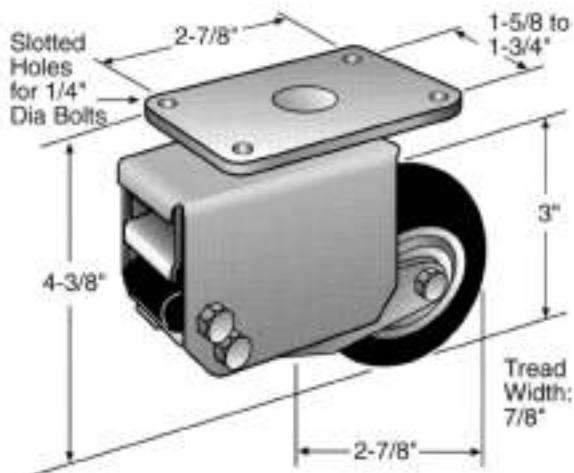
2DSA SERIES FEATURES

- Computers or other laboratory or office equipment mounted on these casters will easily roll over floor irregularities such as carpet edges, thresholds, etc.
- If the unit is dropped or otherwise subjected to a sudden load, the caster will provide smooth shock absorption. The caster will not suddenly “hit bottom” or abruptly come to the limit of the caster spring system.
- Electronic equipment is characteristically designed to withstand a certain maximum, usually expressed in “g’s”.
- Cushion Ride II-3 can be modified so as to give the proper protection. Call us Toll Free for further information or quotation.

CUSHION RIDE II-3



Neoprene Rubber Wheel



CASTER ORDERING #CR113XEZNRD

Also available with a variety of stems and top plates.

CAPACITY TO 110 LBS.

Caster Type	Page
3C BB-Tek® Bi-Brake Casters	2-3
3N Standard Kingpin Casters	4
3NSS Stainless Steel Kingpin Casters	5
3NK Kingpinless Casters with Nylacron™ Wheels	6
3NKSS Kingpinless Casters with Nylacron™ Wheels	7

3C BB-TEK® BRAKE CASTERS US TOP PLATE P63

BB-TEK TWO-IN-ONE BI-BRAKE PRESSED STEEL CASTERS

BB-Tek Casters are recommended for medium duty applications on equipment such as portable computers, instruments, test or equipment stations and were designed for frequent portability. Precision ball bearings in both the swivel and wheels, ease of rollability and maneuvering are its main features.

- Swivel can be locked in steering direction, while wheel remains free to roll, allowing straight line tracking
OR
- Both swivel and wheel can be simultaneously locked for no movement.

KEY FEATURE

- Swivel Head and Wheel are fitted with precision ball bearings to ensure maximum swiveling, ease and rollability with maximum quietness.



Unique, patented BB-TEK Bi-Braking System provides two kinds of braking systems, Dual Locking and/or Directional Locking Brakes, in same caster.

Green Pedal Directional Lock: Locks the swivel in one direction but wheel remains free for tracking straight line.

Red Pedal Total Lock: Locks the wheel & the swivel at the same time.

Gray Pedal: Releases the total lock and directional lock.

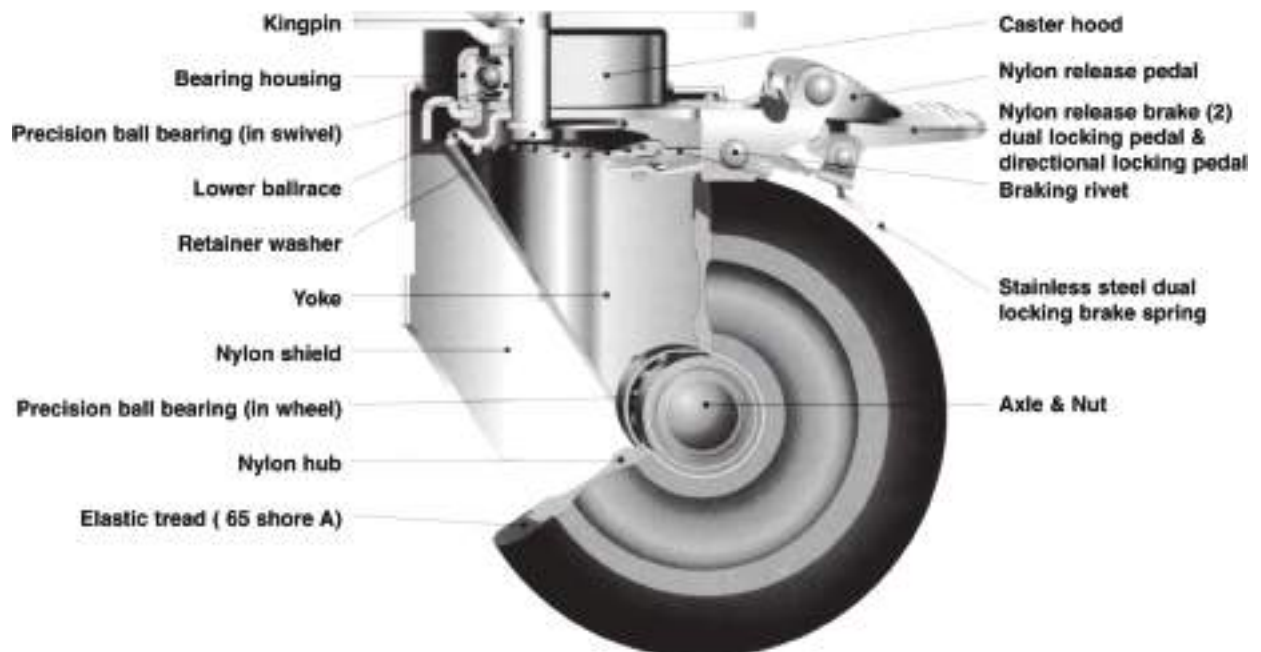


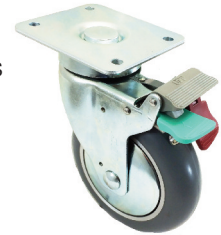
Plate Mounting Options

25.4 mm = 1 inch

Mtg. Code	Top Plate Size (mm)	Bolt Hole Spacing (mm)	Mounting Bolt Size (mm)
P1	95 x 70	75 x 45/72 x 52	9
P2	77 x 67	61.5 x 52/56 x 45	8.5
P3	93 x 60	76.5/73 x 45	8
P6	114 x 101.6	93 x 67	9
P7	114 x 101.6	76 x 76/92 x 67	9.5
P8	100.3 x 100	80 x 80	10.5
P63	4" x 4-1/2"	2-5/8" x 3-5/8" to 3" x 3"	3/8"

P1, P2 and P3 plates are available for 125 mm models. P6, P7 and P8 plates are available for 150 mm and 200 mm models.
To order optional plate sizes change code.

Example: **3CBB6TTP3**.



Wheel Diameter (mm)	Tread Width (mm)	Wheel Type	Wheel Bearing	Capacity (lbs)	Swivel Top Plate Bi-Brake Model Number	Free Swivel Model Number	Load Height (mm)	Swivel Radius (mm)
125	32	Thermoplastic Tread	Precision Ball	220	3CBB5TTP63	3C5TTSP63	161.0	78.0
125	32	Elastic Rubber Tread	Precision Ball	220	3CBB5ERP63	3C5ERSP63	161.0	78.0
125	32	Gray Polyurethane Tread	Precision Ball	220	3CBB5GPP63	3C5GPPSP63	161.0	78.0
150	40	Thermoplastic Tread	Precision Ball	330	3CBB6TTP63	3C6TTSP63	196.5	92.0
150	40	Elastic Rubber Tread	Precision Ball	330	3CBB6ERP63	3C6ERSP63	196.5	92.0
200	40	Elastic Rubber Tread	Precision Ball	330	3CBB8ERP63	3C8ERSP63	250.5	98.0

Other type wheels are available including Nylacron™ and Kryptonic™ wheels.

Available in swivel only.

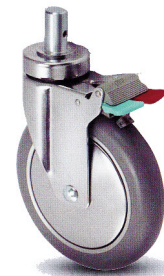
Round Stem Mounting Options

25.4 mm = 1 inch

Mtg. Code	Stem Diameter (mm)	Stem Length (mm)	Hole to Base (mm)	Mounting Hole (mm)
R8	22	45	19	M8 x 1.25
R9	28	45	19	M8 x 1.25
R16	25.6	45	19	M8 x 1.25

To order optional stem sizes change stem code.

Example: **3CBB6TTR16**.



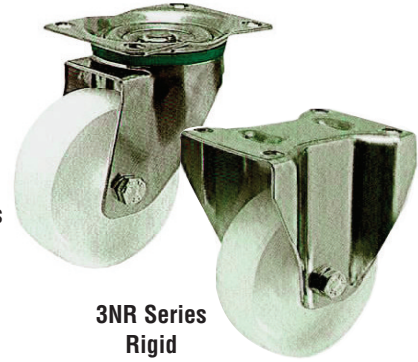
Wheel Diameter (mm)	Tread Width (mm)	Wheel Type	Wheel Bearing	Capacity (lbs)	Round Stem Bi-Brake Model Number	Free Swivel Model Number	Load Height (mm)	Swivel Radius (mm)
125	32	Thermoplastic Tread	Precision Ball	220	3CBB5TTRP63	3C5TTSRP63	161.0	78.0
125	32	Elastic Rubber Tread	Precision Ball	220	3CBB5ERRP63	3C5ERSRP63	161.0	78.0
125	32	Gray Polyurethane Tread	Precision Ball	220	3CBB5GPRP63	3C5GSPRP63	161.0	78.0
150	40	Thermoplastic Tread	Precision Ball	330	3CBB6TTRP63	3C6TTSRP63	196.5	92.0
150	40	Elastic Rubber Tread	Precision Ball	330	3CBB6ERRP63	3C6ERSRP63	196.5	92.0
200	40	Elastic Rubber Tread	Precision Ball	330	3CBB8ERRP63	3C8ERSRP63	250.5	98.0

Specify stem size. ie suffix: R16

Other type wheels are available including Nylacron™ Wheels. See wheel section.

**AVAILABLE IN
US TOP PLATE SIZES**
4" x 4-1/2"
Bolt Hole Spacing
2-5/8" x 3-5/8"
to 3" x 3"
Mounting Bolt Size
3/8"

3NR Series Swivel



3NR Series Rigid

3N Standard Swivel Series with NY plain bore wheels

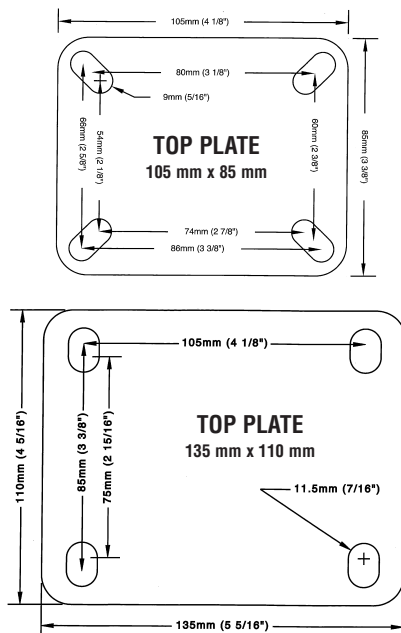
Swivel Part Number	Diameter (mm)	Width (mm)	OAH (mm)	Top Plate (mm)	Bolt Spacing (mm)	Bolt Size (mm)	Offset (mm)	Load Cap. (lbs)
3N080/35/NY*	80	35	108	105 x 85	80 x 60	9	38	330
3N100/34/NY*	100	34	128	105 x 85	80 x 60	9	38	330
3N125/40/NY*	125	40	155	105 x 85	80 x 60	9	45	330
3N125/40/NY*	125	40	161	135 x 110	105 x 80	11	55	660
3N150/42/NY*	150	42	194	135 x 110	105 x 80	11	55	880
3N160/40/NY*	160	40	197	135 x 110	105 x 80	11	55	880
3N200/50/NY*	200	50	237	135 x 110	105 x 80	11	55	880

3N Standard Rigid Series with NY plain bore wheels

Rigid Part Number	Diameter (mm)	Width (mm)	OAH (mm)	Top Plate (mm)	Bolt Spacing (mm)	Bolt Size (mm)	Offset (mm)	Load Cap. (lbs)
3N080/30/NY*	80	30	108	105 x 85	80 x 60	9	38	330
3N100/34/NY*	100	34	128	105 x 85	80 x 60	9	38	330
3N125/40/NY*	125	40	155	105 x 85	80 x 60	9	45	330
3N125/40/NY*	125	40	161	135 x 110	105 x 80	11	55	660
3N150/42/NY*	150	42	194	135 x 110	105 x 80	11	55	880
3N160/40/NY*	160	40	197	135 x 110	105 x 80	11	55	880
3N200/50/NY*	200	50	237	135 x 110	105 x 80	11	55	880

*Nylacron™ & Kryptonic™ Wheels are available with precision ball bearings. Specify BB. For other wheels, see wheel section.

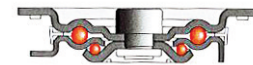
1 kg = 2.2 lbs
 25.4 mm = 1 inch



Swivel total lock brake
 Specify: ...add TL



Toe guard
 Specify: ...add TO

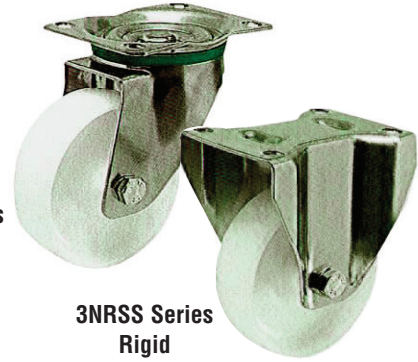


Kingpin swivel caster cross section a load capacity up to 300 kg.

Swivel section made of pressed steel, zinc chromed with double ball bearings, dust and splash proof, riveted kingpin and grease zerk. Total locking device on the trailing side of the housing, blocks rolling and swivel motion simultaneously.

3NSS SERIES EURO STAINLESS STEEL KINGPIN CASTERS

**AVAILABLE IN
US TOP PLATE SIZES**
4" x 4-1/2"
Bolt Hole Spacing
2-5/8" x 3-5/8"
to 3" x 3"
Mounting Bolt Size
3/8"



3NRSS Series Swivel

3NRSS Series Rigid

NR Stainless Swivel Series with NY plain bore wheels

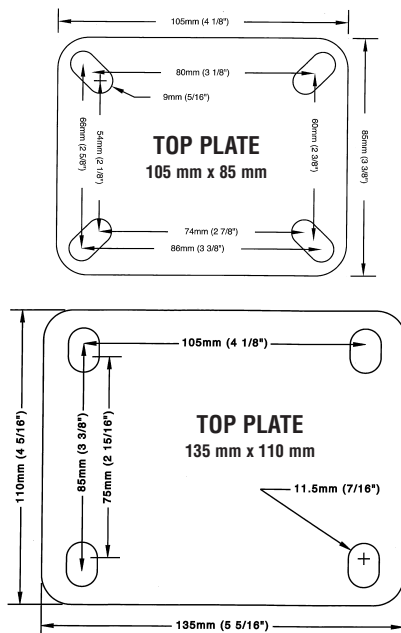
Swivel Part Number	Diameter (mm)	Width (mm)	OAH (mm)	Top Plate (mm)	Bolt Spacing (mm)	Bolt Size (mm)	Offset (mm)	Load Cap. (lbs)
3NSS080/35/NY*	80	35	108	105 x 85	80 x 60	9	38	330
3NSS100/34/NY*	100	34	128	105 x 85	80 x 60	9	38	330
3NSS125/40/NY*	125	40	155	105 x 85	80 x 60	9	45	330
3NSS125/40/NY*	125	40	161	135 x 110	105 x 80	11	55	660
3NSS150/42/NY*	150	42	194	135 x 110	105 x 80	11	55	880
3NSS160/40/NY*	160	40	197	135 x 110	105 x 80	11	55	880
3NSS200/50/NY*	200	50	237	135 x 110	105 x 80	11	55	880

NR Stainless Rigid Series with NY plain bore wheels

Rigid Part Number	Diameter (mm)	Width (mm)	OAH (mm)	Top Plate (mm)	Bolt Spacing (mm)	Bolt Size (mm)	Offset (mm)	Load Cap. (lbs)
3NSS080/30/NY*	80	30	108	105 x 85	80 x 60	9	38	330
3NSS100/34/NY*	100	34	128	105 x 85	80 x 60	9	38	330
3NSS125/40/NY*	125	40	155	105 x 85	80 x 60	9	45	330
3NSS125/40/NY*	125	40	161	135 x 110	105 x 80	11	55	660
3NSS150/42/NY*	150	42	194	135 x 110	105 x 80	11	55	880
3NSS160/40/NY*	160	40	197	135 x 110	105 x 80	11	55	880
3NSS200/50/NY*	200	50	237	135 x 110	105 x 80	11	55	880

*Nylacron™ & Kryptonic™ Wheels are available with precision ball bearings. Specify BB. For other wheels, see wheel section.

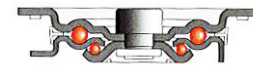
1 kg = 2.2 lbs
 25.4 mm = 1 inch



Swivel total lock brake
 Specify: ...add TL



Toe guard
 Specify: ...add TO



Kingpin swivel caster
 cross section a load capacity
 up to 300 kg.

Swivel section made of pressed steel, zinc chromed with double ball bearings, dust and splash proof, riveted kingpin and grease zerk. Total locking device on the trailing side of the housing, blocks rolling and swivel motion simultaneously.

3NK SERIES EURO KINGPINLESS CASTERS NYLACRON™ WHEELS

3NK Series Rigid



3NK Series Swivel

Model Number	Wheel Diameter (mm)	Wheel Width (mm)	Overall Height (mm)	Top Plate Size (mm)	Bolt Hole Spacing (mm)	Bolt Hole Diameter (mm)	Offset (mm)	Load Capacity (kg)
3NK/100/40/5NYMC	100	40	140	105 x 85	80 x 60	9	45	160
3NK/100/40/5NYMC	100	40	148	135 x 110	105 x 80	11	50	160
3NK/125/40/5NYMC	125	40	165	105 x 85	80 x 60	9	45	225
3NK/125/50/5NYMC	125	50	178	135 x 110	105 x 80	11	50	225
3NK/160/50/5NYMC	160	50	210	135 x 110	105 x 80	11	50	300
3NK/200/50/5NYMC	200	50	250	135 x 110	105 x 80	11	55	400
3NK/300/60/5NYMC	300	60	347	200 x 160	160 x 120	15	73	700

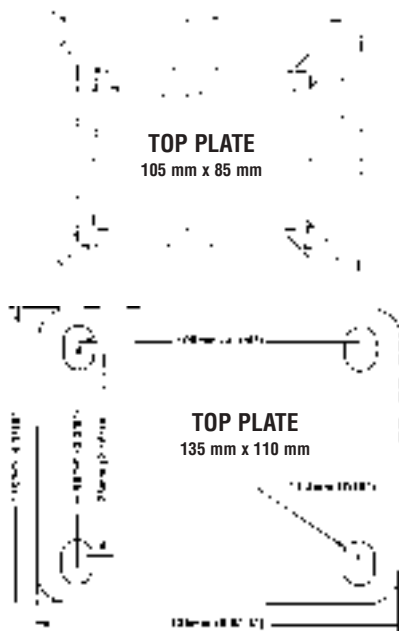
Swivel Caster
NYLACRON™ NY/MC wheel
Precision ball bearings.

Model Number	Wheel Diameter (mm)	Wheel Width (mm)	Overall Height (mm)	Top Plate Size (mm)	Bolt Hole Spacing (mm)	Bolt Hole Diameter (mm)	Load Capacity (kg)
3NKR/100/40/5NYMC	100	40	140	105 x 85	80 x 60	9	160
3NKR/100/40/5NYMC	100	40	148	135 x 110	105 x 80	11	160
3NKR/125/40/5NYMC	125	40	165	105 x 85	80 x 60	9	225
3NKR/125/50/5NYMC	125	50	178	135 x 110	105 x 80	11	225
3NKR/160/50/5NYMC	160	50	210	135 x 110	105 x 80	11	300
3NKR/200/50/5NYMC	200	50	250	135 x 110	105 x 80	11	400
3NKR/300/60/5NYMC	300	60	347	200 x 160	160 x 120	15	700

Rigid Caster
NYLACRON™ NY/MC wheel
Precision ball bearings.

*Nylacron™ Wheels are available with precision ball bearings.
Specify BB. For other wheels, see wheel section.

1 kg = 2.2 lbs
25.4 mm = 1 inch



Swivel total lock brake
Specify: add TL



Toe guard
Specify: ... add TO



Kingpinless swivel caster
cross section a load capacity
up to 700 kg.

Swivel section made of pressed steel, zinc chromed with double ball bearings, dust and splash proof, riveted kingpin and grease zerk. Total locking device on the trailing side of the housing, blocks rolling and swivel motion simultaneously.

3NKSS SERIES EURO STAINLESS STEEL KINGPINLESS CASTERS NYLACRON™ WHEELS

3NK Series Rigid



3NK Series Swivel

Model Number	Wheel Diameter (mm)	Wheel Width (mm)	Overall Height (mm)	Top Plate Size (mm)	Bolt Hole Spacing (mm)	Bolt Hole Diameter (mm)	Offset (mm)	Load Capacity (kg)
3NKSS/100/40/5NYMC	100	40	140	105 x 85	80 x 60	9	45	160
3NKSS/100/40/5NYMC	100	40	148	135 x 110	105 x 80	11	50	160
3NKSS/125/40/5NYMC	125	40	165	105 x 85	80 x 60	9	45	225
3NKSS/125/50/5NYMC	125	50	178	135 x 110	105 x 80	11	50	225
3NKSS/160/50/5NYMC	160	50	210	135 x 110	105 x 80	11	50	300
3NKSS/200/50/5NYMC	200	50	250	135 x 110	105 x 80	11	55	400
3NKSS/300/60/5NYMC	300	60	347	200 x 160	160 x 120	15	73	700

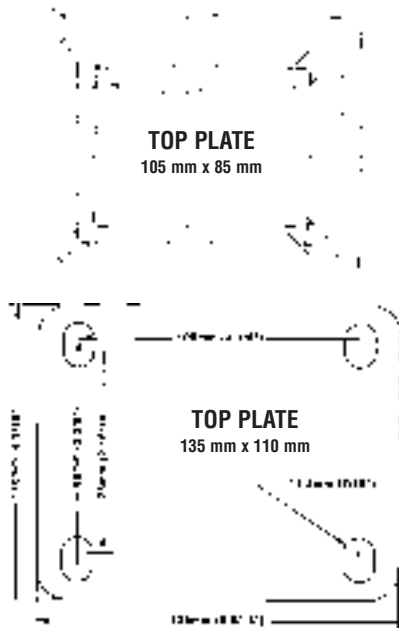
Swivel Caster
NYLACRON™ NY/MC wheel
Precision ball bearings.

Model Number	Wheel Diameter (mm)	Wheel Width (mm)	Overall Height (mm)	Top Plate Size (mm)	Bolt Hole Spacing (mm)	Bolt Hole Diameter (mm)	Load Capacity (kg)
3NKRSS/100/40/5NYMC	100	40	140	105 x 85	80 x 60	9	160
3NKRSS/100/40/5NYMC	100	40	148	135 x 110	105 x 80	11	160
3NKRSS/125/40/5NYMC	125	40	165	105 x 85	80 x 60	9	225
3NKRSS/125/50/5NYMC	125	50	178	135 x 110	105 x 80	11	225
3NKRSS/160/50/5NYMC	160	50	210	135 x 110	105 x 80	11	300
3NKRSS/200/50/5NYMC	200	50	250	135 x 110	105 x 80	11	400
3NKRSS/300/60/5NYMC	300	60	347	200 x 160	160 x 120	15	700

Rigid Caster
NYLACRON™ NY/MC wheel
Precision ball bearings.

*Nylacron™ Wheels are available with precision ball bearings.
Specify BB. For other wheels, see wheel section.

1 kg = 2.2 lbs
25.4 mm = 1 inch



Swivel total lock brake
Specify: add TL



Toe guard
Specify: ... add TO



Kingpinless swivel caster
cross section a load capacity
up to 700 kg.

Swivel section made of pressed steel, zinc chromed with double ball bearings, dust and splash proof, riveted kingpin and grease zerk. Total locking device on the trailing side of the housing, blocks rolling and swivel motion simultaneously.

Caster Type	Page #
GHKU Series Kingpinless Casters	2-5
GHKU SS Series Kingpinless Stainless Steel Caster	6-8
170 Series Casters.....	9-15
40 Series Hybrid Kingpin Casters	16-19
27/FT/28 Series Casters.....	20-27
31 Series Kingpin Casters	28-31
05 Series Kingpin Stainless Steel Casters	32-36
40 Series Casters.....	37-39
100 Series Pneumatic Casters	40

**ALL WHEELS ARE AVAILABLE WITH
PRECISION BALL BEARING, CENTER PIECE & END CAPS
FOR MANUAL OR TOWING TO FIT IN 2-1/2" HUB LENGTH RIGS
See Wheel Section for complete selection.**



**LEADING SIDE
TOTAL LOCK SWIVEL CASTER**

Add TL to swivel caster number

Available Toe Guard TO

**NEW TRAILING SIDE
TOTAL LOCK SWIVEL CASTER**

No need to move cots back and forth
for finding the brake pedal.

Add TLT to swivel caster number

Available in 6" & 8"



Swivel Head Section



Total Lock System



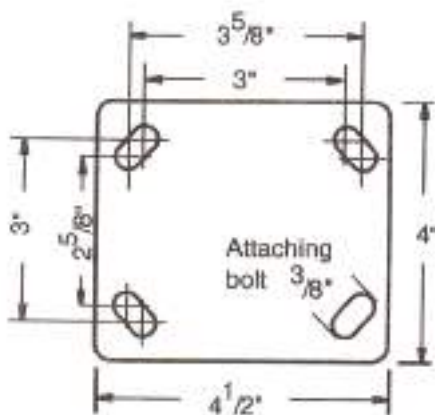
Wheel Face Break



Directional Lock

2,000 LBS. LOAD CAPACITY FORGED KINGPINLESS TYPE CASTERS

- Single piece Drop Forged AISI 1045 Steel Top Plate and Fork Base
- Precision CNC Machined Raceways with Kingpinless construction
- Induction Hardening of Raceways ensures uniform depth of hardness
- Totally Sealed Swivel Head with Grease Nipple
- 1/4" Thick Fork Legs robotically welded inside & outside to 2 1/2" fork spacing
- 1/2" Wheel axle
- 4 Position Foot Operated Directional Lock Slots
- Finish: Bright Zinc Plated



TOP PLATE

4 X 4-1/2

BOLT HOLE CENTER

2-5/8 X 3-5/8

SLOTTED TO

3 X 3

ATTACHING BOLT SIZE

3/8

RIG OPTIONS

DL: FOOT OPERATED
4-WAY DIRECTIONAL LOCK

WFB: WHEEL FACE BRAKE
ADD TO SUFFIX
TO THE CASTER PART NUMBER

SAS WHEELS

HIGH CAPACITY POLYURETHANE
TREAD WHEELS CAST IRON CORE

- Polyurethane firmly bonded to Precision Machined Cast Iron Core
- 93+ 3 Shore A
- Low rolling resistance, smooth and noiseless running

- Non-marking and floor protective
- High abrasion, cut and tear resistant
- Precision Ball Bearings
- Temperature Range: -40°F to +180°F
- **Available in Anti-Static add "AS" after wheel**



Part Number Swivel Caster	Part Number Swivel with Total Lock	Part Number Rigid Caster	Wheel Diameter (inch)	Tread Width (inch)	Load Capacity (lbs)	Overall Height (inch)	Swivel Radius (inch)	Swivel Radius w/Total Lock (inch)	Swivel Radius w/Wheel Brake (inch)
GHKU42SSAS	GHKU42SSASTL	GHKU42RSAS	4	2	900	5-5/8	3-3/16	4	8-1/2
GHKU52SSAS	GHKU52SSASTL	GHKU52RSAS	5	2	1200	6-1/2	3-7/8	4	9-1/2
GHKU62SSAS	GHKU62SSASTL	GHKU62RSAS	6	2	1650	7-1/2	4-9/16	6	10
GHKU82SSAS	GHKU82SSASTL	GHKU82RSAS	8	2	2000	9-1/2	6	6	11-1/2

ME WHEELS

ERGONOMIC POLYURETHANE
DONUT TREAD WHEELS CAST IRON CORE

- For Low Push-Pull Efforts
- Polyurethane firmly bonded to Precision Machined Cast Iron Core
- Red Tread 93+ 3 Shore A
- Non-marking and floor protective

- Tread Options:
Softer 80A - Yellow Tread (specify ME-Z)
Harder 73D - Blue Tread (specify ME-F)
- Precision Ball Bearings
- Temperature Range: -40°F to +180°F
- **Available in Anti-Static add "AS" after wheel**



Part Number Swivel Caster	Part Number Swivel with Total Lock	Part Number Rigid Caster	Wheel Diameter (inch)	Tread Width (inch)	Load Capacity (lbs)	Overall Height (inch)	Swivel Radius (inch)	Swivel Radius w/Total Lock (inch)	Swivel Radius w/Wheel Brake (inch)
GHKU42SME	GHKU42SMETL	GHKU42RME	4	2	775	5-5/8	3-3/16	4	8-1/2
GHKU52SME	GHKU52SMETL	GHKU52RME	5	2	1000	6-1/2	3-7/8	4	9-1/2
GHKU62SME	GHKU62SMETL	GHKU62RME	6	2	1250	7-1/2	4-9/16	6	10
GHKU82SME	GHKU82SMETL	GHKU82RME	8	2	1700	9-1/2	6	6	11-1/2

SZS WHEELS

ELASTIC POLYURETHANE
TREAD WHEELS CAST IRON CORE

- Polyurethane firmly bonded to Precision Machined Cast Iron Core
- 85+ 3 Shore A
- Excellent for power towing applications

- Reduced noise due to cushioning of loads, Lively Polyurethane allows wheels to "Flex and Roll" over debris
- Non-marking and floor protective
- Precision Ball Bearings
- Temperature Range: -40°F to +180°F
- **Available in Anti-Static add "AS" after wheel**



Part Number Swivel Caster	Part Number Swivel with Total Lock	Part Number Rigid Caster	Wheel Diameter (inch)	Tread Width (inch)	Load Capacity (lbs)	Overall Height (inch)	Swivel Radius (inch)	Swivel Radius w/Total Lock (inch)	Swivel Radius w/Wheel Brake (inch)
GHKU42SSZS	GHKU42SSZSTL	GHKU42RSZS	4	2	550	5-5/8	3-3/16	4	8-1/2
GHKU52SSZS	GHKU52SSZSTL	GHKU52RSZS	5	2	775	6-1/2	3-7/8	4	9-1/2
GHKU62SSZS	GHKU62SSZSTL	GHKU62RSZS	6	2	1000	7-1/2	4-9/16	6	10
GHKU82SSZS	GHKU82SSZSTL	GHKU82RSZS	8	2	1450	9-1/2	6	6	11-1/2

SEN
WHEELS

SOLID ELASTOMER WHEEL NYLON CORE

- 70 Shore (D) durometer
- FDA standards for use in food processing environments
- 100% washable

- Glass-filled nylon core insert endures heat
- High impact and abrasion resistant
- Resists oil, grease, water, and most solvents
- Temp Range: -50°F to +180°F



Part Number Swivel Caster	Part Number Swivel with Total Lock	Part Number Rigid Caster	Wheel Diameter (inch)	Tread Width (inch)	Load Capacity (lbs)	Overall Height (inch)	Swivel Radius (inch)	Swivel Radius w/Total Lock (inch)	Swivel Radius w/Wheel Brake (inch)
GHKU42SSEN	GHKU42SSENTL	GHKU42RSEN	4	2	1500	5-5/8	3-3/16	4	8-1/2
GHKU52SSEN	GHKU52SSENTL	GHKU52RSEN	5	2	1800	6-1/2	3-7/8	4	9-1/2
GHKU62SSEN	GHKU62SSENTL	GHKU62RSEN	6	2	2000	7-1/2	4-9/16	6	10
GHKU82SSEN	GHKU82SSENTL	GHKU82RSEN	8	2	2000	9-1/2	6	6	11-1/2

SJS
WHEELSPOLYURETHANE TREAD WHEELS
CAST IRON CORE

- Polyurethane tread wheels firmly bonded to Precision Machined Cast Iron Core
- 93 + 3 Shore A
- Low rolling resistance; Smooth and noiseless running
- Non-marking and floor protective

- Good abrasion and cut resistance
- Ideal for medium duty applications
- Precision Ball Bearings
- Temperature Range: -40°F to +180°F
- **Available in Anti-Static add "AS" after wheel**



Part Number Swivel Caster	Part Number Swivel with Total Lock	Part Number Rigid Caster	Wheel Diameter (inch)	Tread Width (inch)	Load Capacity (lbs)	Overall Height (inch)	Swivel Radius (inch)	Swivel Radius w/Total Lock (inch)	Swivel Radius w/Wheel Brake (inch)
GHKU42SSJS	GHKU42SSJSTL	GHKU42RSJS	4	2	700	5-5/8	3-3/16	4	8-1/2
GHKU52SSJS	GHKU52SSJSTL	GHKU52RSJS	5	2	1000	6-1/2	3-7/8	4	9-1/2
GHKU62SSJS	GHKU62SSJSTL	GHKU62RSJS	6	2	1200	7-1/2	4-9/16	6	10
GHKU82SSJS	GHKU82SSJSTL	GHKU82RSJS	8	2	1500	9-1/2	6	6	11-1/2

MDW
WHEELS

DUCTILE CAST STEEL WHEELS

- Machined tread face
- Crown tread face makes maneuverability easy
- Higher load capacities compared to cast iron wheels

- Suitable for extra heavy loads towed in punishing conditions
- High abrasion and oil resistance
- Precision Ball Bearings
- Temperature Range: 800°F



Part Number Swivel Caster	Part Number Swivel with Total Lock	Part Number Rigid Caster	Wheel Diameter (inch)	Tread Width (inch)	Load Capacity (lbs)	Overall Height (inch)	Swivel Radius (inch)	Swivel Radius w/Total Lock (inch)	Swivel Radius w/Wheel Brake (inch)
GHKU42SMDW	GHKU42SMDWTL	GHKU42RMDW	4	2	1500	5-5/8	3-3/16	4	8-1/2
GHKU52SMDW	GHKU52SMDWTL	GHKU52RMDW	5	2	1550	6-1/2	3-7/8	4	9-1/2
GHKU62SMDW	GHKU62SMDWTL	GHKU62RMDW	6	2	2000	7-1/2	4-9/16	6	10
GHKU82SMDW	GHKU82SMDWTL	GHKU82RMDW	8	2	2000	9-1/2	6	6	11-1/2

DF WHEELS

HOT FORGED STEEL WHEELS

- AISI 1045 steel with machined tread faces
- Virtually indestructible and easy to maneuver
- High abrasion and oil resistant

- Can be used in the roughest of applications on the poorest of floors
- Precision Ball Bearings
- Temperature Range: -150°F to +800°F



Part Number Swivel Caster	Part Number Swivel with Total Lock	Part Number Rigid Caster	Wheel Diameter (inch)	Tread Width (inch)	Load Capacity (lbs)	Overall Height (inch)	Swivel Radius (inch)	Swivel Radius w/Total Lock (inch)	Swivel Radius w/Wheel Brake (inch)
GHKU42SDF	GHKU42SDFTL	GHKU42RDF	4	2	1800	5-5/8	3-3/16	4	8-1/2
GHKU52SDF	GHKU52SDFTL	GHKU52RDF	5	2	2000	6-1/2	3-7/8	4	9-1/2
GHKU62SDF	GHKU62SDFTL	GHKU62RDF	6	2	2000	7-1/2	4-9/16	6	10
GHKU82SDF	GHKU82SDFTL	GHKU82RDF	8	2	2000	9-1/2	6	6	11-1/2

NY/MD WHEELS

NYLACRON™ WHEELS

- Precision Machined from Cast Polyamide. Hardness 112-120 Rockwell R
- Ultimate choice for extremely high load applications to replace metallic wheels
- Offer very high abrasion resistance and very low rolling resistance under extreme loads

- Resistant to salt, grease, alcohol and mild acids - can be used in corrosive applications with appropriate bearings
- Precision Ball Bearings
- Temperature Range: -40°F to +270°F



Part Number Swivel Caster	Part Number Swivel with Total Lock	Part Number Rigid Caster	Wheel Diameter (inch)	Tread Width (inch)	Load Capacity (lbs)	Overall Height (inch)	Swivel Radius (inch)	Swivel Radius w/Total Lock (inch)	Swivel Radius w/Wheel Brake (inch)
GHKU42SNYMD	GHKU42SNYMDTL	GHKU42RNYMD	4	2	2000	5-5/8	3-3/16	4	8-1/2
GHKU52SNYMD	GHKU52SNYMDTL	GHKU52RNYMD	5	2	2000	6-1/2	3-7/8	4	9-1/2
GHKU62SNYMD	GHKU62SNYMDTL	GHKU62RNYMD	6	2	2000	7-1/2	4-9/16	6	10
GHKU82SNYMD	GHKU82SNYMDTL	GHKU82RNYMD	8	2	2000	9-1/2	6	6	11-1/2

NY/MC WHEELS

NYLACRON™ WHITE WHEELS

- Precision Machined from cast polyamide hardness 112-120 Rockwell R
- Ultimate choice for extremely high load applications to replace metallic wheels
- Offer very high abrasion resistance and very low rolling resistance under extreme loads

- Resistant to salt, grease, alcohol and mild acids - can be used in corrosive applications with appropriate bearings
- Precision Ball Bearings
- Temperature Range: -40°F to +270°F



Part Number Swivel Caster	Part Number Swivel with Total Lock	Part Number Rigid Caster	Wheel Diameter (inch)	Tread Width (inch)	Load Capacity (lbs)	Overall Height (inch)	Swivel Radius (inch)	Swivel Radius w/Total Lock (inch)	Swivel Radius w/Wheel Brake (inch)
GHKU42SNYMC	GHKU42SNYMC TL	GHKU42RNYMC	4	2	2000	5-5/8	3-3/16	4	8-1/2
GHKU52SNYMC	GHKU52SNYMC TL	GHKU52RNYMC	5	2	2000	6-1/2	3-7/8	4	9-1/2
GHKU62SNYMC	GHKU62SNYMC TL	GHKU62RNYMC	6	2	2000	7-1/2	4-9/16	6	10
GHKU82SNYMC	GHKU82SNYMC TL	GHKU82RNYMC	8	2	2000	9-1/2	6	6	11-1/2

Swivel-EAZ™ Wheels available. Durometers: 70A (Black), 80A (Red), 95A (Blue), 60D (Gray), 75D (Black)

See wheel section for load ratings.

GHKU KINGPINLESS STAINLESS STEEL TOTAL LOCK SERIES CASTERS



**LEADING SIDE
TOTAL LOCK STAINLESS STEEL SWIVEL CASTER**

Add TL to swivel caster number



Swivel Head Section



Total Lock System



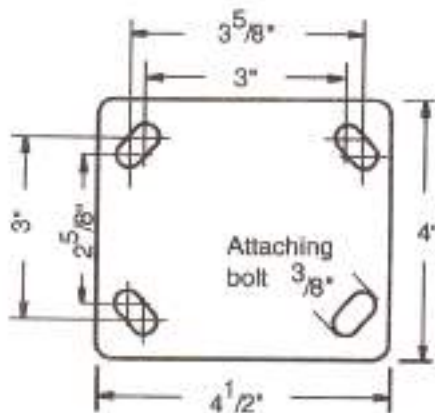
Wheel Face Break



Directional Lock

2,000 LBS. LOAD CAPACITY STAINLESS STEEL KINGPINLESS TYPE CASTERS

- Fabricated AISI 304 Stainless Steel Top Plate and Fork Base
- Precision CNC Machined Raceways with Kingpinless construction
- Totally Sealed Swivel Head with Grease Nipple
- 1/4" Thick Fork Legs Robotically welded Inside & Outside to 2 1/2" fork spacing
- 1/2" Wheel axle
- 4 Position Directional Lock Slots
- Finish: Bright Zinc Plated



TOP PLATE

4 X 4-1/2

BOLT HOLE CENTER

2-5/8 X 3-5/8

SLOTTED TO

3 X 3

ATTACHING BOLT SIZE

3/8

RIG OPTIONS

DL: 4-WAY DIRECTIONAL LOCK

WFB: WHEEL FACE BRAKE

ADD TO SUFFIX

OF THE CASTER PART NUMBER

4

GHKU KINGPINLESS STAINLESS STEEL TOTAL LOCK SERIES CASTERS

NY/MD WHEELS

NYLACRON™ WHEELS

- Precision Machined from Cast Polyamide. Hardness 112-120 Rockwell R
- Ultimate choice for Extremely High Load applications to replace metallic wheels
- Offer very high abrasion resistance and very low rolling resistance under extreme loads

- Resistant to salt, grease, alcohol and mild acids - can be used in corrosive applications with appropriate bearings
- Stainless Steel Precision Ball Bearings
- Temperature Range: -40°F to +270°F



Part Number Swivel Caster	Part Number Swivel with Total Lock	Part Number Rigid Caster	Wheel Diameter (inch)	Tread Width (inch)	Load Capacity (lbs)	Overall Height (inch)	Swivel Radius (inch)	Swivel Radius w/Total Lock (inch)	Swivel Radius w/Wheel Brake (inch)
GHKUSS42SNYMD	GHKUSS42SNYMDTL	GHKUSS42RNYMD	4	2	2000	5-5/8	3-3/16	4	8-1/2
GHKUSS52SNYMD	GHKUSS52SNYMDTL	GHKUSS52RNYMD	5	2	2000	6-1/2	3-7/8	4	9-1/2
GHKUSS62SNYMD	GHKUSS62SNYMDTL	GHKUSS62RNYMD	6	2	2000	7-1/2	4-9/16	6	10
GHKUSS82SNYMD	GHKUSS82SNYMDTL	GHKUSS82RNYMD	8	2	2000	9-1/2	6	6	11-1/2

NY/MC WHEELS

NYLACRON™ WHITE WHEELS

- Precision Machined from Cast Polyamide. Hardness 112-120 Rockwell R
- Ultimate choice for Extremely High Load applications to replace metallic wheels
- Offer very high abrasion resistance and very low rolling resistance under extreme loads

- Resistant to salt, grease, alcohol and mild acids - can be used in corrosive applications with appropriate bearings
- Stainless Steel Precision Ball Bearings
- Temperature Range: -40°F to +270°F



Part Number Swivel Caster	Part Number Swivel with Total Lock	Part Number Rigid Caster	Wheel Diameter (inch)	Tread Width (inch)	Load Capacity (lbs)	Overall Height (inch)	Swivel Radius (inch)	Swivel Radius w/Total Lock (inch)	Swivel Radius w/Wheel Brake (inch)
GHKUSS42SNYMC	GHKUSS42SNYMC TL	GHKUSS42RNYMC	4	2	2000	5-5/8	3-3/16	4	8-1/2
GHKUSS52SNYMC	GHKUSS52SNYMC TL	GHKUSS52RNYMC	5	2	2000	6-1/2	3-7/8	4	9-1/2
GHKUSS62SNYMC	GHKUSS62SNYMC TL	GHKUSS62RNYMC	6	2	2000	7-1/2	4-9/16	6	10
GHKUSS82SNYMC	GHKUSS82SNYMC TL	GHKUSS82RNYMC	8	2	2000	9-1/2	6	6	11-1/2

NN WHEELS

NYLON WHEELS

- Injection molded from Nylon 6
- 100% washable & steam cleanable; impervious to water, highly resistant to organic solvents, most chemicals & cleaning solutions; ideal for use in food processing and packaging plants
- Offer high impact strength and exceptional abrasion resistance

- Hard tread has slight crown and rolls very easily
- Non-marking
- Durometer: 75 Shore D (+/-5)
- Stainless Steel Precision Ball Bearings
- Temperature Range: -40°F to +180°F
- Available in Anti-Static add "AS"



Part Number Swivel Caster	Part Number Swivel with Total Lock	Part Number Rigid Caster	Wheel Diameter (inch)	Tread Width (inch)	Load Capacity (lbs)	Overall Height (inch)	Swivel Radius (inch)	Swivel Radius w/Total Lock (inch)	Swivel Radius w/Wheel Brake (inch)
GHKUSS42SNN	GHKUSS42SNN TL	GHKUSS42RNN	4	2	1320	5-5/8	3-3/16	4	8-1/2
GHKUSS52SNN	GHKUSS52SNN TL	GHKUSS52RNN	5	2	1320	6-1/2	3-7/8	4	9-1/2
GHKUSS62SNN	GHKUSS62SNN TL	GHKUSS62RNN	6	2	1320	7-1/2	4-9/16	6	10
GHKUSS82SNN	GHKUSS82SNN TL	GHKUSS82RNN	8	2	2000	9-1/2	6	6	11-1/2

4

GHKU KINGPINLESS STAINLESS STEEL TOTAL LOCK SERIES CASTERS

SS WHEELS

STAINLESS STEEL WHEELS

- Type 304 Stainless Steel
- Non-magnetic & Non-sparking
- Excellent corrosion resistance
- Slightly crowned tread face with rounded corners
- Stainless Steel Precision Ball Bearings

- Temperature Range: 800°F

Custom Stainless Steel Wheels
made to your specifications

V-Groove - VG

Flanged - FL



Part Number Swivel Caster	Part Number Swivel with Total Lock	Part Number Rigid Caster	Wheel Diameter (inch)	Tread Width (inch)	Load Capacity (lbs)	Overall Height (inch)	Swivel Radius (inch)	Swivel Radius w/Total Lock (inch)	Swivel Radius w/Wheel Brake (inch)
GHKUSS42SSS	GHKUSS42SSSTL	GHKUSS42RSS	4	2	1000	5-5/8	3-3/16	4	8-1/2
GHKUSS52SSS	GHKUSS52SSSTL	GHKUSS52RSS	5	2	1000	6-1/2	3-7/8	4	9-1/2
GHKUSS62SSS	GHKUSS62SSSTL	GHKUSS62RSS	6	2	1000	7-1/2	4-9/16	6	10
GHKUSS82SSS	GHKUSS82SSSTL	GHKUSS82RSS	8	2	1000	9-1/2	6	6	11-1/2

SEN WHEELS

SOLID ELASTOMER WHEEL NYLON CORE

- 70 Shore (D) durometer
- FDA standards for use in food processing environments
- 100% Washable

- Stainless Steel Precision Ball Bearings
- Glass-filled nylon core insert endures heat
- High impact and abrasion resistant
- Resists oil, grease, water, and most solvents
- Temp Range: -50°F to +180°F



Part Number Swivel Caster	Part Number Swivel with Total Lock	Part Number Rigid Caster	Wheel Diameter (inch)	Tread Width (inch)	Load Capacity (lbs)	Overall Height (inch)	Swivel Radius (inch)	Swivel Radius w/Total Lock (inch)	Swivel Radius w/Wheel Brake (inch)
GHKUSS42SSEN	GHKUSS42SSENTL	GHKUSS42RSEN	4	2	1000	5-5/8	3-3/16	4	8-1/2
GHKUSS52SSEN	GHKUSS52SSENTL	GHKUSS52RSEN	5	2	1400	6-1/2	3-7/8	4	9-1/2
GHKUSS62SSEN	GHKUSS62SSENTL	GHKUSS62RSEN	6	2	1700	7-1/2	4-9/16	6	10
GHKUSS82SSEN	GHKUSS82SSENTL	GHKUSS82RSEN	8	2	2000	9-1/2	6	6	11-1/2

KR WHEELS

SOLID POLYURETHANE KRYTONIC™ WHEELS

- Polyether Polyurethane has excellent carrying capacity.
- Crown shape affords an easy-rolling quiet operation
- Greater service life and resistance to chunking, cutting and abrasive wear

- 100% washable, steam cleanable, and resistant to most chemicals
- Non-marking tread
- Durometer: 58 Shore D (+/-5)
- Stainless Steel Precision Ball Bearings
- Temperature Range: + 250°F for up to a 1/2 hour.



Part Number Swivel Caster	Part Number Swivel with Total Lock	Part Number Rigid Caster	Wheel Diameter (inch)	Tread Width (inch)	Load Capacity (lbs)	Overall Height (inch)	Swivel Radius (inch)	Swivel Radius w/Total Lock (inch)	Swivel Radius w/Wheel Brake (inch)
GHKUSS42SKR	GHKUSS42SKRTL	GHKUSS42RKR	4	2	500	5-5/8	3-3/16	4	8-1/2
GHKUSS52SKR	GHKUSS52SKRTL	GHKUSS52RKR	5	2	600	6-1/2	3-7/8	4	9-1/2
GHKUSS62SKR	GHKUSS62SKRTL	GHKUSS62RKR	6	2	700	7-1/2	4-9/16	6	10
GHKUSS82SKR	GHKUSS82SKRTL	GHKUSS82RKR	8	2	800	9-1/2	6	6	11-1/2

4 170 SERIES KINGPINLESS CASTERS



2,000 LBS. LOAD CAPACITY STAINLESS STEEL KINGPINLESS TYPE CASTERS

- **Top Plate:** 5/16" AISI 1045 steel welded and heat treated for longer life
- **Yoke Base:** Notched AISI 1045 steel
- **Swivel Section:** One row of 3/8" ball bearings mounted in a heat treated precision machined raceway. Zerk in swivel section
- **Fork Legs:** 1/4" steel, formed to increase strength and welded on inside and outside yoke base. Fork lift spacing 2-1/2"
- **Axle:** 1/2" diameter hollow axle with zerk fitting on roller and tapered bearing models (Solid axle on Delrin, precision ball, and Oilex models)
- **Finish:** Zinc plating
- Alternate or custom caster configurations available

Available with non-hardened raceways. Change caster number from 110 to 170.

Stamped Steel fully heat treated construction.

BRAKES OPTIONS



Cam
specify **CB110**

Face Brake
specify **FBC**

Face Brake
specify **FBB**

Foot Activated
Swivel Lock
specify **SL 160002**

TYPICAL APPLICATIONS

- Dollies
- Dough troughs
- Platform trucks
- Tow line
- Utility carts
- Tooling fixtures
- Scrap metal carriers

**ALL WHEELS
AVAILABLE WITH
ROLLER BEARINGS
OR
DELTRIN BUSHING**

MOUNTING PLATE OPTIONS

TOP PLATE: 16 (STANDARD)

Plate Size: 4" x 4-1/2"
Bolt Holes: 2-5/8" x 3-5/8"
slotted to 3" x 3"
Bolt Size: 3/8"

TOP PLATE: K

Plate Size: 4-1/2" x 6-1/4"
Bolt Holes: 5-1/4" x 3-3/8"
slotted to
4-15/16" x 2-7/16"
Bolt Size: 1/2"

TOP PLATE: D

Plate Size: 5" x 5-1/2"
Bolt Holes: 4-1/8" x 4-1/2"
Bolt Size: 3/8"

TOP PLATE: J

Plate Size: 4" x 5"
Bolt Holes: 4" x 3"
slotted to
3-3/8" x 2-5/8"
Bolt Size: 5/8"

*Add options to end of part number

BEARING OPTIONS

Roller Bearing (**01**)
Industrial Ball (**27**)
Precision Ball (**28**)

4 170 SERIES KINGPINLESS CASTERS

X-TRA ROUND TREAD 29 PEDESTAL PRECISION XR

- Prevenz™ antimicrobial models available
- Add PREV to end of caster number
- Precision Ball Bearings

Part Number Swivel Caster	Part Number Rigid Caster	Wheel Diameter (inch)	Tread Width (inch)	Load Capacity (lbs)	Overall Height (inch)	Swivel Lead (inch)	Approx. Weight (lbs)
170XR06229S	170XR06229R	6	2	600	7-1/2	1-3/4	6-1/2
170XR08229S	170XR08229R	8	2	675	9-1/2	1-3/4	7-1/2



EXTREME PLUS SOLID ELASTOMER XP

- Hardness: 60 Shore D
- Premium Polyurethane
- Excellent for towing applications
- Precision Ball Bearings
- Wheel Face: Moderate crown
- Temperature Range: up to +250°F

Part Number Swivel Caster	Part Number Rigid Caster	Wheel Diameter (inch)	Tread Width (inch)	Load Capacity (lbs)	Overall Height (inch)	Swivel Lead (inch)	Approx. Weight (lbs)
170XP04228S	170XP04228R	4	2	1200	6-1/2	1-5/8	5-1/2
170XP05228S	170XP05228R	5	2	1200	6-1/2	1-5/8	5-1/2
170XP06228S	170XP06228R	6	2	1200	7-1/2	1-3/4	6-1/2
170XP08228S	170XP08228R	8	2	1200	9-1/2	1-3/4	8-1/2



X-TREME™ PLUS SOLID POLYURETHANE 29 PEDESTAL PRECISION XP

- Prevenz™ antimicrobial models available
- Add PREV to end of caster number
- Precision Ball Bearings

Part Number Swivel Caster	Part Number Rigid Caster	Wheel Diameter (inch)	Tread Width (inch)	Load Capacity (lbs)	Overall Height (inch)	Swivel Lead (inch)	Approx. Weight (lbs)
170XP04229S	170XP04229R	4	2	1250	5-5/8	1-7/16	6
170XP05229S	170XP05229R	5	2	1250	6-1/2	1-5/8	6-1/2
170XP06229S	170XP06229R	6	2	1250	7-1/2	1-7/8	7-1/4
170XP08229S	170XP08229R	8	2	1250	9-1/2	2-3/8	9



ELASTIC BLUE RUBBER BALL BEARING ERB

- Elastic solid rubber, smooth rolling quality
- Color Blue, 65° + 3° shore A
- Vulcanized, for non-detachable bond, low rolling resistance
- Precision Ball Bearings
- Made of aluminum die-cast, corrosion-resistant, with dual sealed precision ball bearings

Part Number Swivel Caster	Part Number Rigid Caster	Wheel Diameter (inch)	Tread Width (inch)	Load Capacity (lbs)	Overall Height (inch)	Swivel Lead (inch)	Approx. Weight (lbs)
170ERB06229S	170ERB06229R	6	2	660	7-1/2	1-3/4	6-1/2
170ERB08229S	170ERB08229R	8	2	800	9-1/2	1-3/4	7-1/2



4 170 SERIES KINGPINLESS CASTERS

POLYURETHANE ON ALUMINUM ROUND TREAD 28 PRECISION BALL BEARING PM95A

- Composed of a polyurethane elastomer open cast or injection molded, on clean, close tolerance cores
- Wheels feature a chemical and mechanical lock of tread to the core

- High capacity polyurethane protects floors
- Non-marking
- Delivers quieter operation than standard metal wheels

Part Number Swivel Caster	Part Number Rigid Caster	Wheel Diameter (inch)	Tread Width (inch)	Load Capacity (lbs)	Overall Height (inch)	Swivel Lead (inch)	Approx. Weight (lbs)
170PM05228S	170PM05228R	5	2	1000	6-1/2	1-3/8	6
170PM06228S	170PM06228R	6	2	1250	7-1/2	1-9/16	7
170PM08228S	170PM08228R	8	2	1500	10-1/8	2-1/4	9



POLYURETHANE ON POLYPROPYLENE 29 PEDESTAL PRECISION PM80A

- Prevenz™ antimicrobial models available
- Add PREV to end of caster number

- Precision Ball 28 and annular ball 31 bearings available
- Change “29” to other breaking code

Part Number Swivel Caster	Part Number Rigid Caster	Wheel Diameter (inch)	Tread Width (inch)	Load Capacity (lbs)	Overall Height (inch)	Swivel Lead (inch)	Approx. Weight (lbs)
170PM0622880AS	170PM0622880AR	6	2	900	7-1/2	1-7/8	6-1/2
170PM0822880AS	170PM0822880AR	8	2	1000	9-1/2	2-3/8	8-1/2



MAXIM® 29 PEDESTAL PRECISION NG

- Prevenz™ antimicrobial models available
- Add PREV to end of caster number

- Precision Pedestal Bearing
- Change “29” to other breaking code

Part Number Swivel Caster	Part Number Rigid Caster	Wheel Diameter (inch)	Tread Width (inch)	Load Capacity (lbs)	Overall Height (inch)	Swivel Lead (inch)	Approx. Weight (lbs)
170NG04229S	170NG04229R	4	2	800	5-5/8	1-7/16	6
170NG05229S	170NG05229R	5	2	1000	6-1/2	1-5/8	6-1/2
170NG06229S	170NG06229R	6	2	1200	7-1/2	1-7/8	7-1/4
170NG08229S	170NG08229R	8	2	1400	9-1/2	2-3/8	9



URETHANE ON BLACK NYLON 28 PRECISION BALL BEARING XG

- Offers greater load capacity than rubber
- Resists chemicals, acids, caustic, and oils
- Precision Ball Bearings

- Excellent for use in applications where ergonomic floor protective wheels are needed

Part Number Swivel Caster	Part Number Rigid Caster	Wheel Diameter (inch)	Tread Width (inch)	Load Capacity (lbs)	Overall Height (inch)	Swivel Lead (inch)	Approx. Weight (lbs)
110XG06228S	110XG06228R	6	2	900	7-1/2	1-9/16	7-1/4
110XG08228S	110XG08228R	8	2	900	10-1/8	2-1/4	9



4 170 SERIES KINGPINLESS CASTERS

HEAVY DUTY REINFORCED THERMOPLASTIC 28 PRECISION BALL BEARING DT

- Creates a stronger and higher impact resistant wheel
- Glass reinforced nylon material
- Precision Ball Bearings
- Ideal for applications subject to strong impact and abuse

Part Number Swivel Caster	Part Number Rigid Caster	Wheel Diameter (inch)	Tread Width (inch)	Load Capacity (lbs)	Overall Height (inch)	Swivel Lead (inch)	Approx. Weight (lbs)
170DT04228S	170DT04228R	4	2	1000	5-5/8	1-3/16	6
170DT05228S	170DT05228R	5	2	1200	6-1/2	1-3/8	6-1/2
170DT06228S	170DT06228R	6	2	1400	7-1/2	1-9/16	7-1/4
170DT08228S	170DT08228R	8	2	1600	10-1/8	2-1/4	9



POLYURETHANE ON CAST IRON 28 PRECISION BALL BEARING PY95A

- Chemically bonded to a cast iron core
- High capacity polyurethane protects floors
- Non-marking
- Precision Ball Bearings
- Delivers quieter operation than standard metal wheels

Part Number Swivel Caster	Part Number Rigid Caster	Wheel Diameter (inch)	Tread Width (inch)	Load Capacity (lbs)	Overall Height (inch)	Swivel Lead (inch)	Approx. Weight (lbs)
170PY06228S	170PY06228R	6	2	1230	6-1/2	1-3/8	6
170PY08228S	170PY08228R	8	2	1500	7-1/2	1-9/16	7
170PY10228S	170PY10228R	10	2	1700	10-1/8	2-1/4	9



ETHANE POLYURETHANE ON CAST IRON 28 PRECISION BALL BEARING PY80A

- Chemically bonded to a cast iron core
- High capacity polyurethane protects floors
- Non-marking
- Precision Ball Bearings
- Delivers quieter operation than standard metal wheels
- Rejects metal chips, debris and other items that can be harmful to the wheel

Part Number Swivel Caster	Part Number Rigid Caster	Wheel Diameter (inch)	Tread Width (inch)	Load Capacity (lbs)	Overall Height (inch)	Swivel Lead (inch)	Approx. Weight (lbs)
170PY0622880AS	170PY0622880AR	6	2	1025	6-1/2	1-3/8	6
170PY0822880AS	170PY0822880AR	8	2	1250	7-1/2	1-9/16	7
170PY1022880AS	170PY1022880AR	10	2	1400	10-1/8	2-1/4	9



NEOPRENE ON ALUMINUM 28 PRECISION BALL BEARING NP

- Very high resilience and is impervious to metal chips and screws
- Performs well in contact with oils and chemicals and can be used over a wide temperature range
- Precision Ball Bearings
- Designed to handle heavy loads
- High chemical resistance

Part Number Swivel Caster	Part Number Rigid Caster	Wheel Diameter (inch)	Tread Width (inch)	Load Capacity (lbs)	Overall Height (inch)	Swivel Lead (inch)	Approx. Weight (lbs)
170NP05228S	170NP05228R	5	2	600	6-1/2	1-3/8	6
170NP06228S	170NP06228R	6	2	700	7-1/2	1-9/16	7
170NP08228S	170NP08228R	8	2	700	10-1/8	2-1/4	9



4 170 SERIES KINGPINLESS CASTERS

NY/MD WHEELS

NYLACRON™ WHEELS

- Precision Machined from Cast Polyamide. Hardness 112-120 Rockwell R
- Ultimate choice for Extremely High Load applications to replace metallic wheels
- Offer very high abrasion resistance and very low rolling resistance under extreme loads

- Resistant to salt, grease, alcohol and mild acids - can be used in corrosive applications with appropriate bearings
- Stainless Steel Precision Ball Bearings
- Temperature Range: -40°F to +270°F



Part Number Swivel Caster	Part Number Swivel with Total Lock	Part Number Rigid Caster	Wheel Diameter (inch)	Tread Width (inch)	Load Capacity (lbs)	Overall Height (inch)	Swivel Radius (inch)	Swivel Radius w/Total Lock (inch)	Swivel Radius w/Wheel Brake (inch)
17042SNYMD	17042SNYMDTL	17042RNYMD	4	2	2000	5-5/8	3-3/16	4	8-1/2
17052SNYMD	17052SNYMDTL	17052RNYMD	5	2	2000	6-1/2	3-7/8	4	9-1/2
17062SNYMD	17062SNYMDTL	17062RNYMD	6	2	2000	7-1/2	4-9/16	6	10
17082SNYMD	17082SNYMDTL	17082RNYMD	8	2	2000	9-1/2	6	6	11-1/2

NY/MC WHEELS

NYLACRON™ WHITE WHEELS

- Precision Machined from Cast Polyamide. Hardness 112-120 Rockwell R
- Ultimate choice for Extremely High Load applications to replace metallic wheels
- Offer very high abrasion resistance and very low rolling resistance under extreme loads

- Resistant to salt, grease, alcohol and mild acids - can be used in corrosive applications with appropriate bearings
- Stainless Steel Precision Ball Bearings
- Temperature Range: -40°F to +270°F



Part Number Swivel Caster	Part Number Swivel with Total Lock	Part Number Rigid Caster	Wheel Diameter (inch)	Tread Width (inch)	Load Capacity (lbs)	Overall Height (inch)	Swivel Radius (inch)	Swivel Radius w/Total Lock (inch)	Swivel Radius w/Wheel Brake (inch)
17042SNYMC	17042SNYMCTL	17042RNYMC	4	2	2000	5-5/8	3-3/16	4	8-1/2
17052SNYMC	17052SNYMCTL	17052RNYMC	5	2	2000	6-1/2	3-7/8	4	9-1/2
17062SNYMC	17062SNYMCTL	17062RNYMC	6	2	2000	7-1/2	4-9/16	6	10
17082SNYMC	17082SNYMCTL	17082RNYMC	8	2	2000	9-1/2	6	6	11-1/2

KR WHEELS

SOLID POLYURETHANE KRYTONIC™ WHEELS

- Polyether Polyurethane has excellent carrying capacity.
- Crown shape affords an easy-rolling quiet operation
- Greater service life and resistance to chunking, cutting and abrasive wear

- 100% washable, steam cleanable, and resistant to most chemicals
- Non-marking tread
- Durometer: 58 Shore D (+/-5)
- Stainless Steel Precision Ball Bearings
- Temperature Range: + 250°F for up a 1/2 hour.



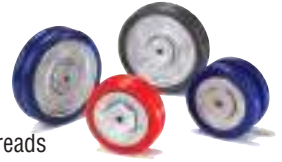
Part Number Swivel Caster	Part Number Swivel with Total Lock	Part Number Rigid Caster	Wheel Diameter (inch)	Tread Width (inch)	Load Capacity (lbs)	Overall Height (inch)	Swivel Radius (inch)	Swivel Radius w/Total Lock (inch)	Swivel Radius w/Wheel Brake (inch)
17042SKR	17042SKRTL	17042RKR	4	2	500	5-5/8	3-3/16	4	8-1/2
17052SKR	17052SKRTL	17052RKR	5	2	600	6-1/2	3-7/8	4	9-1/2
17062SKR	17062SKRTL	17062RKR	6	2	700	7-1/2	4-9/16	6	10
17082SKR	17082SKRTL	17082RKR	8	2	800	9-1/2	6	6	11-1/2

SWE 80A FLAT TREAD WHEELS

SWIVEL-EAZ™ INTEGRATED TWIN WHEELS

- Reduces rolling resistance
- Minimizes initial start forces
- Prolongs the life of the swivel caster
- Eliminates the need for costly dual-wheel caster

- Carries 2x the load of standard size wheels with similar tread hardness
- Maintenance-free for longer life
- Non-marking, high-performance elastomer treads
- Patented SWE® Precision Ball Bearing Design
- Temp Range: -40°F to +180°F



Part Number Swivel Caster	Part Number Rigid Caster	Wheel Diameter (inch)	Tread Width (inch)	Load Capacity (lbs)	Overall Height (inch)	Swivel Radius (inch)	Swivel Radius w/Wheel Brake (inch)
17032SSWE80AFT	17032RSWE80AFT	3	2	560	5-1/16	3-3/16	8-1/2
17042SSWE80AFT	17042RSWE80AFT	4	2	700	5-5/8	3-3/16	8-1/2
17052SSWE80AFT	17052RSWE80AFT	5	2	1050	6-1/2	3-7/8	9-1/2
17062SSWE80AFT	17062RSWE80AFT	6	2	1400	7-1/2	4-9/16	10
17082SSWE80AFT	17082RSWE80AFT	8	2	1400	9-1/2	6	11-1/2

SWE 80A CROWN TREAD WHEELS

SWIVEL-EAZ™ INTEGRATED TWIN WHEELS

- Reduces rolling resistance
- Minimizes initial start forces
- Prolongs the life of the swivel caster
- Eliminates the need for costly dual-wheel caster

- Carries 2x the load of standard size wheels with similar tread hardness
- Maintenance-free for longer life
- Non-marking, high-performance elastomer treads
- Patented SWE® Precision Ball Bearing Design
- Temp Range: -40°F to +180°F



Part Number Swivel Caster	Part Number Rigid Caster	Wheel Diameter (inch)	Tread Width (inch)	Load Capacity (lbs)	Overall Height (inch)	Swivel Radius (inch)	Swivel Radius w/Wheel Brake (inch)
17032SSWE80ACRN	17032RSWE80ACRN	3	2	320	5-1/16	3-3/16	8-1/2
17042SSWE80ACRN	17042RSWE80ACRN	4	2	400	5-5/8	3-3/16	8-1/2
17052SSWE80ACRN	17052RSWE80ACRN	5	2	650	6-1/2	3-7/8	9-1/2
17062SSWE80ACRN	17062RSWE80ACRN	6	2	900	7-1/2	4-9/16	10
17082SSWE80ACRN	17082RSWE80ACRN	8	2	1400	9-1/2	6	11-1/2

SWE 95A FLAT TREAD WHEELS

SWIVEL-EAZ™ INTEGRATED TWIN WHEELS

- Reduces rolling resistance
- Minimizes initial start forces
- Prolongs the life of the swivel caster
- Eliminates the need for costly dual-wheel caster

- Carries 2x the load of standard size wheels with similar tread hardness
- Maintenance-free for longer life
- Non-marking, high-performance elastomer treads
- Patented SWE® Precision Ball Bearing Design
- Temp Range: -40°F to +180°F



Part Number Swivel Caster	Part Number Rigid Caster	Wheel Diameter (inch)	Tread Width (inch)	Load Capacity (lbs)	Overall Height (inch)	Swivel Radius (inch)	Swivel Radius w/Wheel Brake (inch)
17032SSWE95AFT	17032RSWE95AFT	3	2	720	5-1/16	3-3/16	8-1/2
17042SSWE95AFT	17042RSWE95AFT	4	2	900	5-5/8	3-3/16	8-1/2
17052SSWE95AFT	17052RSWE95AFT	5	2	1400	6-1/2	3-7/8	9-1/2
17062SSWE95AFT	17062RSWE95AFT	6	2	1400	7-1/2	4-9/16	10
17082SSWE95AFT	17082RSWE95AFT	8	2	1400	9-1/2	6	11-1/2

Also available in crown and flat tread 70A, 60D and 75D

4 170 SERIES KINGPINLESS CASTERS

SWE 95A CROWN TREAD WHEELS

SWIVEL-EAZ™ INTEGRATED TWIN WHEELS

- Reduces rolling resistance
- Minimizes initial start forces
- Prolongs the life of the swivel caster
- Eliminates the need for costly dual-wheel caster

- Carries 2x the load of standard size wheels with similar tread hardness
- Maintenance-free for longer life
- Non-marking, high-performance elastomer treads
- Patented SWE® Precision Ball Bearing Design
- Temp Range: -40°F to +180°F



Part Number Swivel Caster	Part Number Rigid Caster	Wheel Diameter (inch)	Tread Width (inch)	Load Capacity (lbs)	Overall Height (inch)	Swivel Radius (inch)	Swivel Radius w/Wheel Brake (inch)
17032SSWE95ACRN	17032RSWE95ACRN	3	2	400	5-1/16	3-3/16	8-1/2
17042SSWE95ACRN	17042RSWE95ACRN	4	2	500	5-5/8	3-3/16	8-1/2
17052SSWE95ACRN	17052RSWE95ACRN	5	2	800	6-1/2	3-7/8	9-1/2
17062SSWE95ACRN	17062RSWE95ACRN	6	2	1100	7-1/2	4-9/16	10
17082SSWE95ACRN	17082RSWE95ACRN	8	2	1400	9-1/2	6	11-1/2

SWE 70D FLAT TREAD WHEELS

SWIVEL-EAZ™ INTEGRATED TWIN WHEELS

- Reduces rolling resistance
- Minimizes initial start forces
- Prolongs the life of the swivel caster
- Eliminates the need for costly dual-wheel caster

- Carries 2x the load of standard size wheels with similar tread hardness
- Maintenance-free for longer life
- Non-marking, high-performance elastomer treads
- Patented SWE® Precision Ball Bearing Design
- Temp Range: -40°F to +180°F



Part Number Swivel Caster	Part Number Rigid Caster	Wheel Diameter (inch)	Tread Width (inch)	Load Capacity (lbs)	Overall Height (inch)	Swivel Radius (inch)	Swivel Radius w/Wheel Brake (inch)
17032SSWE70ACRN	17032RSWE70ACRN	3	2	800	5-1/16	3-3/16	8-1/2
17042SSWE70ACRN	17042RSWE70ACRN	4	2	1000	5-5/8	3-3/16	8-1/2
17052SSWE70ACRN	17052RSWE70ACRN	5	2	1400	6-1/2	3-7/8	9-1/2
17062SSWE70ACRN	17062RSWE70ACRN	6	2	1400	7-1/2	4-9/16	10
17082SSWE70ACRN	17082RSWE70ACRN	8	2	1400	9-1/2	6	11-1/2

SWE 70D CROWN TREAD WHEELS

SWIVEL-EAZ™ INTEGRATED TWIN WHEELS

- Reduces rolling resistance
- Minimizes initial start forces
- Prolongs the life of the swivel caster
- Eliminates the need for costly dual-wheel caster

- Carries 2x the load of standard size wheels with similar tread hardness
- Maintenance-free for longer life
- Non-marking, high-performance elastomer treads
- Patented SWE® Precision Ball Bearing Design
- Temp Range: -40°F to +180°F



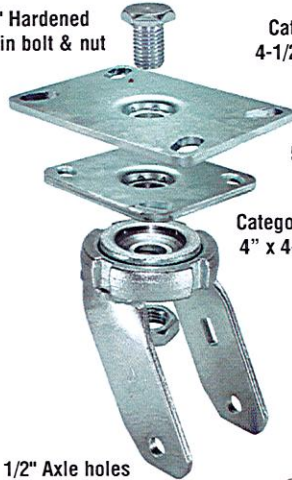
Part Number Swivel Caster	Part Number Rigid Caster	Wheel Diameter (inch)	Tread Width (inch)	Load Capacity (lbs)	Overall Height (inch)	Swivel Radius (inch)	Swivel Radius w/Wheel Brake (inch)
17032SSWE70ACRN	17032RSWE70ACRN	3	2	520	5-1/16	3-3/16	8-1/2
17042SSWE70ACRN	17042RSWE70ACRN	4	2	800	5-5/8	3-3/16	8-1/2
17052SSWE70ACRN	17052RSWE70ACRN	5	2	1060	6-1/2	3-7/8	9-1/2
17062SSWE70ACRN	17062RSWE70ACRN	6	2	1300	7-1/2	4-9/16	10
17082SSWE70ACRN	17082RSWE70ACRN	8	2	1400	9-1/2	6	11-1/2

*When ordering, note durometer after the part number (ex: SWE-320-FT-60D)
Also available in crown and flat tread 70A, 60D and 75D

4

40 SERIES HYBRID HEAVY DUTY KINGPIN CASTERS

3/4" Hardened kingpin bolt & nut



Category 5 Top Plate
4-1/2" x 6-1/4" (shown)
40-04

Also available in
5" x 5-1/2" (not shown)
40-05

Category 4 Top Plate
4" x 4-1/2" (shown)
40-03

1/2" Axle holes



HYBRID 8" SWIVEL CASTER



TOP LOCK
TS



CAM LOCK
MS



4 POSITION LOCK
PS



FOOT OPERATED SWIVEL LOCK
only available in
4" x 4-1/2" top plate

2,000 LBS. LOAD CAPACITY FORGED HYBRID KINGPIN CASTERS

- Kingpinless strength with Kingpin simplicity
- Kingpinless style drop forged swivel raceway
- 3/8" Ball bearings (HRC45 steel)
- 3/4" Kingpin/Nut hardened
- 1/4" Cold forged top plate (ASTM 1045)
- 1/2" Axle holes
- Long life of caster with low cost
- Extra high endurance in distance traveled
- Hub length 2 1/2"

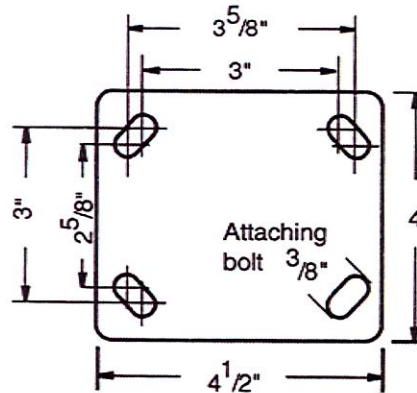
ALL WHEELS AVAILABLE WITH PRECISION BEARINGS OR ROLLER BEARINGS

Caster Options: 304 Stainless Steel - "S" prefix

Other Options: Zerk axle - "Z" suffix

Plate size: 4" x 4 1/2"

Bolt Diameter: 3/8"



STANDARD
46 03 TOP PLATE
4 X 4-1/2

BOLT HOLE CENTER
2-5/8 X 3-5/8
SLOTTED TO
3 X 3

ATTACHING BOLT SIZE
3/8

4

40 SERIES HYBRID HEAVY DUTY KINGPIN CASTERS

MU
WHEELS

POLYURETHANE ON GLASS-FILLED NYLON

- 10mm blue tread
- 90-95 Durometer Shore (A) (Green Thread)
- 60-70 Durometer Shore (D)
- Light weight reinforced glass-filled nylon core

- Non-marking, non-staining, non-conductive tread
- Floor protective
- Resists oil, grease, water, and most solvents
- Temp Range: -45°F to +180°F



Part Number Swivel Caster	Part Number Rigid Caster	Wheel Diameter (inch)	Tread Width (inch)	Load Capacity (lbs)	Overall Height (inch)	Swivel Radius (inch)	Precision Bearing
40CS420MU63	40CR420MU63	4	2	800	5-5/8	3-1/8	63
40CS520MU63	40CR520MU63	5	2	1400	6-1/2	3-3/4	63
40CS620MU63	40CR620MU63	6	2	1400	7-1/2	4-1/2	63
40CS820MU63	40CR820MU63	8	2	1800	9-1/2	6-5/16	63

PTU
WHEELS

POLYURETHANE ON POLYOLEFIN

- 90-95 Durometer Shore (A) Ductile Polyurethane tread mechanically bonded to Polyolefin core
- High capacity and lightweight
- Resists oil, grease, water, and most solvents

- Smooth rolling and quiet
- Temp Range: -45°F to +180°F

Options

- Donut Tread PTU (6", 8") DTU



Part Number Swivel Caster	Part Number Rigid Caster	Wheel Diameter (inch)	Tread Width (inch)	Load Capacity (lbs)	Overall Height (inch)	Swivel Radius (inch)	Precision Bearing
40CS420PTU38	40CR420PTU38	4	2	700	5-5/8	3-1/8	38
40CS520PTU38	40CR520PTU38	5	2	1000	6-1/2	3-3/4	38
40CS620PTU38	40CR620PTU38	6	2	1200	7-1/2	4-1/2	38
40CS820PTU38	40CR820PTU38	8	2	1400	9-1/2	6-5/16	38

SEN
WHEELS

SOLID ELASTOMER WHEEL NYLON CORE

- 70 Shore (D) durometer
- FDA standards for use in food processing environments
- 100% Washable

- Glass-filled nylon core insert endures heat
- High impact and abrasion resistant
- Resists oil, grease, water, and most solvents
- Temp Range: -50°F to +180°F



Part Number Swivel Caster	Part Number Rigid Caster	Wheel Diameter (inch)	Tread Width (inch)	Load Capacity (lbs)	Overall Height (inch)	Swivel Radius (inch)	Precision Bearing
40CS420SEN63	40CR420SEN63	4	2	1500	5-5/8	3-1/8	63
40CS520SEN63	40CR520SEN63	5	2	1800	6-1/2	3-3/4	63
40CS620SEN63	40CR620SEN63	6	2	2100	7-1/2	4-1/2	63
40CS820SEN63	40CR820SEN63	8	2	2600	9-1/2	6-5/16	63

DS
WHEELS

DUCTILE STEEL

- Extreme heavy duty applications
- High capacity

- Effortless rolling under heavy loads
- Temp Range: -45°F to +800°F



Part Number Swivel Caster	Part Number Rigid Caster	Wheel Diameter (inch)	Tread Width (inch)	Load Capacity (lbs)	Overall Height (inch)	Swivel Radius (inch)	Precision Bearing
40CS420DS38	40CR420DS38	4	2	1200	5-5/8	3-1/8	38
40CS520DS38	40CR520DS38	5	2	1500	6-1/2	3-3/4	38
40CS620DS38	40CR620DS38	6	2	2000	7-1/2	4-1/2	38
40CS820DS38	40CR820DS38	8	2	2500	9-1/2	6-5/16	38

SPU
WHEELS

SOLID POLYURETHANE

- 60 Durometer Shore (D)
- FDA requirements met for use in food processing environments
- 100% Washable

- One piece mold design eliminates bonding failure
- High impact and abrasion resistant
- Resists oil, grease, water, and most solvents
- Temp Range: -45°F to +180°F



Part Number Swivel Caster	Part Number Rigid Caster	Wheel Diameter (inch)	Tread Width (inch)	Load Capacity (lbs)	Overall Height (inch)	Swivel Radius (inch)	Precision Bearing
40CS420SPU63	40CR420SPU63	4	2	700	5-5/8	3-1/8	63
40CS520SPU63	40CR520SPU63	5	2	1200	6-1/2	3-3/4	63
40CS620SPU63	40CR620SPU63	6	2	1200	7-1/2	4-1/2	63
40CS820SPU63	40CR820SPU63	8	2	1400	9-1/2	6-5/16	63

ERN
WHEELS

ELASTIC RUBBER ON NYLON

- 70-75 Durometer Shore (A)
- Elastic rubber molded to nylon core

- Non-marking
- Easy rolling, impact resistant and shock absorbing
- Temp Range: -40°F to +160°F



Part Number Swivel Caster	Part Number Rigid Caster	Wheel Diameter (inch)	Tread Width (inch)	Load Capacity (lbs)	Overall Height (inch)	Swivel Radius (inch)	Precision Bearing
40CS420ERN38	40CR420ERN38	4	2	325	5-5/8	3-1/8	38
40CS520ERN38	40CR520ERN38	5	2	475	6-1/2	3-3/4	38
40CS620ERN38	40CR620ERN38	6	2	500	7-1/2	4-1/2	38
40CS820ERN38	40CR820ERN38	8	2	600	9-1/2	6-5/16	38

NY/MD
WHEELS

NYLACRON™ WHEELS

- Precision Machined from Cast Polyamide. Hardness 112-120 Rockwell R
- Ultimate choice for Extremely High Load applications to replace metallic wheels
- Offer very high abrasion resistance and very low rolling resistance under extreme loads

- Resistant to salt, grease, alcohol and mild acids - can be used in corrosive applications with appropriate bearings
- Precision Ball Bearings
- Temperature Range: -40°F to +270°F



Part Number Swivel Caster	Part Number Rigid Caster	Wheel Diameter (inch)	Tread Width (inch)	Load Capacity (lbs)	Overall Height (inch)	Swivel Radius (inch)	Precision Bearing
40CS420NYMD	40CR420NYMD	4	2	2000	5-5/8	3-3/16	38
40CS520NYMD	40CR520NYMD	5	2	2000	6-1/2	3-7/8	38
40CS620NYMD	40CR620NYMD	6	2	2000	7-1/2	4-9/16	38
40CS820NYMD	40CR820NYMD	8	2	2000	9-1/2	6	38

4

40 SERIES HYBRID HEAVY DUTY KINGPIN CASTERS

TUA
WHEELS

POLYURETHANE ON ALUMINUM FLAT TREAD

- High Tech grade polyurethane tread
- 85 Durometer Shore (A) deflects debris
- Non-marking and rolls effortlessly
- Multi-year tread durability
- Temp Range: -40°F to +180°F

Part Number Swivel Caster	Part Number Rigid Caster	Wheel Diameter (inch)	Tread Width (inch)	Load Capacity (lbs)	Overall Height (inch)	Swivel Radius (inch)	Precision Bearing
40CS620TUA63	40CR620TUA63	6	2	1500	7-1/2	4-1/2	63
40CS820TUA63	40CR820TUA63	8	2	2000	9-1/2	6-5/16	63
40CS820TUA64	40CR820TUA64	8	2	2000	9-1/2	6-5/16	64

DUA
WHEELS

POLYURETHANE ON ALUMINUM DONUT TREAD

- High Tech grade polyurethane tread
- 85 Durometer Shore (A) deflects debris
- Non-marking and rolls effortlessly
- Multi-year tread durability
- Temp Range: -40°F to +180°F

Part Number Swivel Caster	Part Number Rigid Caster	Wheel Diameter (inch)	Tread Width (inch)	Load Capacity (lbs)	Overall Height (inch)	Swivel Radius (inch)	Precision Bearing
40CS420DUA63	40CR420DUA63	4	2	1000	5-5/8	3-1/8	63
40CS520DUA63	40CR520DUA63	5	2	1200	6-1/2	3-3/4	63
40CS620DUA63	40CR620DUA63	6	2	1500	7-1/2	4-1/2	63
40CS820DUA63	40CR820DUA63	8	2	2000	9-1/2	6-5/16	63

NG
WHEELS

NYLON GLASS-FILLED

- 85 Durometer Shore (A)
- Impervious to most chemicals, solvents, oil, salt, alkalines and water
- Use metal only bearing components for temperatures over 180°F
- Hi Temp: +490°F continuous, +550°F intermittent (part # TMA)

Part Number Swivel Caster	Part Number Rigid Caster	Wheel Diameter (inch)	Tread Width (inch)	Load Capacity (lbs)	Overall Height (inch)	Swivel Radius (inch)	Precision Bearing
40CS420NG38	40CR420NG38	4	2	800	5-5/8	3-1/8	38
40CS520NG38	40CR520NG38	5	2	1000	6-1/2	3-3/4	38
40CS620NG38	40CR620NG38	6	2	1200	7-1/2	4-1/2	38
40CS820NG38	40CR820NG38	8	2	1400	9-1/2	6-5/16	38

PPU
WHEELS

POLYURETHANE ON POLYOLEFIN

- Injection Molded Polyurethane Tread mechanically bonded to polyolefin core
- 90-95 Durometer Shore (A) Polyurethane Tread mechanically bonded to polyolefin core
- High capacity and lightweight
- Resist oil, grease, water and most solvents
- Smooth rolling and quiet
- Non-marking
- Temp Range: -45°F to +180°F

Part Number Swivel Caster	Part Number Rigid Caster	Wheel Diameter (inch)	Tread Width (inch)	Load Capacity (lbs)	Overall Height (inch)	Swivel Radius (inch)	Precision Bearing
40CS420PPU38	40CR420PPU38	4	2	700	5-5/8	3-1/8	38
40CS520PPU38	40CR520PPU38	5	2	750	6-1/2	3-3/4	38
40CS620PPU38	40CR620PPU38	6	2	900	7-1/2	4-1/2	38
40CS820PPU38	40CR820PPU38	8	2	1000	9-1/2	6-5/16	38



4 27/FT/28 SERIES KINGPIN CASTERS



**FOOT OPERATED
FLOOR LOCK
4PSL27**



**DUAL PEDAL
TOTAL LOCK
DT**



**FRONT DUAL PEDAL
ADJUSTABLE TOTAL
LOCKING CASTERS
FT**



**TECH-LOCK
PEDAL BRAKE
H**



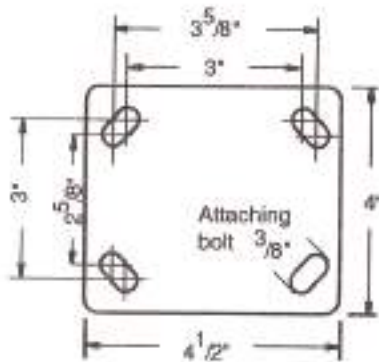
**TOP-LOCK
BRAKE
T**



**RACEWAY SEALS
Thermo - plastic
up to 140° F
L**

1,250 LBS. LOAD CAPACITY FORGED KINGPIN TYPE CASTERS

- Double ball raceway offer smooth swiveling action, strength and long service life.
- Standard 5/8" nut & bolt kingpin
- 1/4" thick cold rolled steel; designed, formed and welded for optimal mobility.
- Zinc plated finish is attractive & corrosion resistant.
- Zerk grease fitting in raceway & axle for maintenance.



**STANDARD TOP PLATE
4 X 4-1/2**

**BOLT HOLE CENTER
2-5/8 X 3-5/8
SLOTTED TO 3 X 3**

**ATTACHING BOLT SIZE
3/8**

**OPTIONAL TOP PLATE 20
5 X 5-1/2**

**BOLT HOLE CENTER
4-1/8 X 4-1/2**

**ATTACHING BOLT SIZE
3/8**

**ALL WHEELS
AVAILABLE WITH
PRECISION
BALL BEARINGS
STANDARD**

4 27/FT/28 SERIES KINGPIN CASTERS

MU WHEELS POLYURETHANE ON GLASS-FILLED NYLON

- Polyurethane elastomer tread chemically bonded to an ultra-strong
- Offers a smooth effortless ride, is non-marking and protects floors.
- Resist compression set or “flat spotting,” has exceptional impact strength and good abrasion resistance
- Non-metal materials will not rust
- Color: green
- Durometer: 95 Shore A +/-5
- Temp Range: -45°F to +180°F



Part Number Swivel Caster	Part Number Swivel with Total Lock	Part Number Rigid Caster	Wheel Diameter (inch)	Tread Width (inch)	Load Capacity (lbs)	Overall Height (inch)	Swivel Radius (inch)	Swivel Radius w/Total Lock (inch)	Swivel Radius w/Wheel Brake (inch)
27MU40JN63	FTMU40JN63	28MU40JN63	4	2	700	5-5/8	3-3/16	4	8-1/2
27MU50JN63	FTMU50JN63	28MU50JN63	5	2	1000	6-1/2	3-7/8	4	9-1/2
27MU60JN63	FTMU60JN63	28MU60JN63	6	2	1200	7-1/2	4-9/16	6	10
27MU80JN63	FTMU80JN63	28MU80JN63	8	2	1400	9-1/2	6	6	11-1/2

PM WHEELS POLYURETHANE ON POLYOLEFIN

- High performance UV resistant, liquid cast polyurethane elastomer; mechanically locked onto an injection molded polyolefin core; takes more abuse and has a longer service life than standard PP wheels
- 1-1/4" wide wheels are maroon or gray, with sanitary style (no thread guards) dished out core and dual row annular ball bearings, offering improved mobility and stability
- Axle can be completely tightened without binding the bearings. 2" wide wheels have a dark gray tread on a grey core
- Durometer: 60 Shore D +/-5
- Temp Range: -45°F to +180°F



Optional

No seam style available (for upcharge): No seam on the wheel tread reduces the possibility of leaving indentations of soft floors (wood, linoleum, etc)

Part Number Swivel Caster	Part Number Swivel with Total Lock	Part Number Rigid Caster	Wheel Diameter (inch)	Tread Width (inch)	Load Capacity (lbs)	Overall Height (inch)	Swivel Radius (inch)	Swivel Radius w/Total Lock (inch)	Swivel Radius w/Wheel Brake (inch)
27PM40JI63	FTPM40JI63	28PM40JI63	4	2	600	5-5/8	3-3/16	4	8-1/2
27PM50JI63	FTPM50JI63	28PM50JI63	5	2	750	6-1/2	3-7/8	4	9-1/2
27PM60JI63	FTPM60JI63	28PM60JI63	6	2	900	7-1/2	4-9/16	6	10
27PM80JI63	FTPM80JI63	28PM80JI63	8	2	1000	9-1/2	6	6	11-1/2

HU WHEELS HEAVY DUTY SOLID ELASTOMER WHEEL

- Super strength solid cast polyurethane elastomer one piece design with mechanically locked glass filled nylon bearing collar, offers the best durability and performance of any elastomer type wheel on the market
- Precision Ball Bearings
- 100% washable, steam cleanable, chemical resistant
- Extreme impact strength and abrasion and compression resistance, will not flat spot when used within capacity rating
- Offers a smooth ergonomic ride; easy start up
- Color: grey with black core/bearing collar
- Durometer: 68 Shore D +/-5
- Temp Range: -50°F to +180°F



Part Number Swivel Caster	Part Number Swivel with Total Lock	Part Number Rigid Caster	Wheel Diameter (inch)	Tread Width (inch)	Load Capacity (lbs)	Overall Height (inch)	Swivel Radius (inch)	Swivel Radius w/Total Lock (inch)	Swivel Radius w/Wheel Brake (inch)
27HU40JI63	FTHU40JI63	28HU40JI63	4	2	1000	5-5/8	3-3/16	4	8-1/2
27HU50JI63	FTHU50JI63	28HU50JI63	5	2	1400	6-1/2	3-7/8	4	9-1/2
27HU60JI63	FTHU60JI63	28HU60JI63	6	2	1700	7-1/2	4-9/16	6	10
27HU80JI63	FTHU80JI63	28HU80JI63	8	2	2000	9-1/2	6	6	11-1/2

**SU
WHEELS****SOLID POLYURETHANE**

- Solid cast polyurethane elastomer one piece design eliminates bonding failures and is a very reliable and durable wheel
- 100% washable & steam cleanable; not affected by grease, oils, most chemicals & cleaning solutions, brine and blood
- Flanged Precision Ball Bearings

- Offers a smooth effortless ride, is non-marking and protects floors
- Resists compression set or "flat spotting," has exceptional impact strength and is highly abrasion resistant
- Color: blue
- Durometer: 60 Shore D +/-5
- Temp Range: -50°F to +180°F



Part Number Swivel Caster	Part Number Swivel with Total Lock	Part Number Rigid Caster	Wheel Diameter (inch)	Tread Width (inch)	Load Capacity (lbs)	Overall Height (inch)	Swivel Radius (inch)	Swivel Radius w/Total Lock (inch)	Swivel Radius w/Wheel Brake (inch)
27SU40JL60	FTSU40JL60	28SU40JL60	4	2	750	5-5/8	3-3/16	4	8-1/2
27SU50JL60	FTSU50JL60	28SU50JL60	5	2	900	6-1/2	3-7/8	4	9-1/2
27SU60JL60	FTSU60JL60	28SU60JL60	6	2	1000	7-1/2	4-9/16	6	10
27SU80JL60	FTSU80JL60	28SU80JL60	8	2	1000	9-1/2	6	6	11-1/2

**TP
WHEELS****THERMOPLASTIC RUBBER CROWN TREAD ON POLYOLEFIN CORE.**

- Non-marking thermoplastic rubber tread is permanently bonded to polyolefin core
- Shock absorbing cushioned ride offers floor protection and quiet rolling operation
- Offers good stability at low temperatures
- Resistant to cleaning chemicals, acids, alcohol, water, and is excellent for wash down applications & outdoor use, UV resistant

- Offers a smooth effortless ride, is non-marking and protects floors
- Flat tread wheels offer maximum durability at rated capacities; while round tread wheels offer an easy rolling ergonomic ride; reduced tread surface area also enables improved swiveling capabilities and turning mobility
- Color: grey or black tread
- Durometer: 75 Shore A +/-5
- Temp Range: -40°F to +180°F



Part Number Swivel Caster	Part Number Swivel with Total Lock	Part Number Rigid Caster	Wheel Diameter (inch)	Tread Width (inch)	Load Capacity (lbs)	Overall Height (inch)	Swivel Radius (inch)	Swivel Radius w/Total Lock (inch)	Swivel Radius w/Wheel Brake (inch)
27TP40JX63	FTTP40JX63	28TP40JX63	4	2	300	5-5/8	3-3/16	4	8-1/2
27TP50JX63	FTTP50JX63	28TP50JX63	5	2	350	6-1/2	3-7/8	4	9-1/2
27TP60JX63	FTTP60JX63	28TP60JX63	6	2	500	7-1/2	4-9/16	6	10
27TP80JX63	FTTP80JX63	28TP80JX63	8	2	600	9-1/2	6	6	11-1/2

**TP
WHEELS****THERMOPLASTIC RUBBER FLAT TREAD ON POLYOLEFIN CORE.**

- Non-marking thermoplastic rubber tread is permanently bonded to polyolefin core
- Shock absorbing cushioned ride offers floor protection and quiet rolling operation
- Offers good stability at low temperatures
- Resistant to cleaning chemicals, acids, alcohol, water, and is excellent for wash down applications & outdoor use, UV resistant

- Offers a smooth effortless ride, is non-marking and protects floors
- Flat tread wheels offer maximum durability at rated capacities; while round tread wheels offer an easy rolling ergonomic ride; reduced tread surface area also enables improved swiveling capabilities and turning mobility
- Color: grey or black tread
- Durometer: 75 Shore A +/-5
- Temp Range: -40°F to +180°F



Part Number Swivel Caster	Part Number Swivel with Total Lock	Part Number Rigid Caster	Wheel Diameter (inch)	Tread Width (inch)	Load Capacity (lbs)	Overall Height (inch)	Swivel Radius (inch)	Swivel Radius w/Total Lock (inch)	Swivel Radius w/Wheel Brake (inch)
27TP40JI63	FTTP40JI63	28TP40JI63	4	2	300	5-5/8	3-3/16	4	8-1/2
27TP50JI63	FTTP50JI63	28TP50JI63	5	2	350	6-1/2	3-7/8	4	9-1/2
27TP60JI63	FTTP60JI63	28TP60JI63	6	2	500	7-1/2	4-9/16	6	10
27TP80JI63	FTTP80JI63	28TP80JI63	8	2	600	9-1/2	6	6	11-1/2

4 27/FT/28 SERIES KINGPIN CASTERS

RA RUBBER MOLD ON ALUMINUM

WHEELS

- Rubber tread vulcanized to aluminum core
- Offer shock absorbing cushioned ride, rolls over debris, offers floor protection & quiet rolling operation

- Aluminum core has a strong attractive appearance, is lightweight and is resistant to rust and corrosion
- Color: grey or black tread
- Durometer: 80 Shore A +/-5
- Temp Range: -40°F to +160°F



Part Number Swivel Caster	Part Number Swivel with Total Lock	Part Number Rigid Caster	Wheel Diameter (inch)	Tread Width (inch)	Load Capacity (lbs)	Overall Height (inch)	Swivel Radius (inch)	Swivel Radius w/Total Lock (inch)	Swivel Radius w/Wheel Brake (inch)
27RA40JB60	FT27RA40JB60	28RA40JB60	4	2	400	5-5/8	3-3/16	4	8-1/2
27RA50JB60	FT27RA50JB60	28RA50JB60	5	2	500	6-1/2	3-7/8	4	9-1/2
27RA60JB60	FT27RA60JB60	28RA60JB60	6	2	550	7-1/2	4-9/16	6	10

NR RUBBER ON GLASS-FILLED NYLON

WHEELS

- Soft rubber tread is molded over hard rubber core
- Shock absorbing cushioned ride and offers floor protection & quiet rolling operation
- Nylon bearing sleeve molded into wheel core, offers improved roll-ability

- Precision Ball Bearing Flanged.
- Color: black.
- Durometer: 80 Shore A +/-5
- Temp Range: -40°F to +180°F



Part Number Swivel Caster	Part Number Swivel with Total Lock	Part Number Rigid Caster	Wheel Diameter (inch)	Tread Width (inch)	Load Capacity (lbs)	Overall Height (inch)	Swivel Radius (inch)	Swivel Radius w/Total Lock (inch)	Swivel Radius w/Wheel Brake (inch)
27NR40IB60	FTNR40IB60	28NR40IB60	4	2	400	5-5/8	3-3/16	4	8-1/2
27NR50IB60	FTNR50IB60	28NR50IB60	5	2	450	6-1/2	3-7/8	4	9-1/2
27NR60IB60	FTNR60IB60	28NR60IB60	6	2	550	7-1/2	4-9/16	6	10
27NR80IB60	FTNR80IB60	28NR80IB60	8	2	600	9-1/2	6	6	11-1/2

PU POLYURETHANE ON STEEL

WHEELS

- Polyurethane elastomer tread chemically bonded to cast iron core
- Offers higher weight capacities while providing good floor protection and quiet rolling operation
- Sealed Precision Ball Bearing with Top Hats

- Works well in both indoor and outdoor environments; however cast iron core can rust; if this is an issue, look at using aluminum wheels.
- Durometer: 95 Shore A +/-5
- Temp Range: -40°F to +180°F



Part Number Swivel Caster	Part Number Swivel with Total Lock	Part Number Rigid Caster	Wheel Diameter (inch)	Tread Width (inch)	Load Capacity (lbs)	Overall Height (inch)	Swivel Radius (inch)	Swivel Radius w/Total Lock (inch)	Swivel Radius w/Wheel Brake (inch)
27PU40JG63	FTPU40JG63	28PU40JG63	4	2	450	5-5/8	3-3/16	4	8-1/2
27PU40JG63	FTPU40JG63	28PU40JG63	5	2	500	6-1/2	3-7/8	4	9-1/2
27PU40JG63	FTPU40JG63	28PU40JG63	6	2	600	7-1/2	4-9/16	6	10
27PU40JG63	FTPU40JG63	28PU40JG63	8	2	700	9-1/2	6	6	11-1/2

**PO
WHEELS****POLYOLEFIN**

- Solid injection molded polyolefin wheel construction
- High shock load, impact & abrasion resistant
- Economical & lightweight, yet offer high weight capacities
- Sealed Precision Ball Bearing Flanged

- 100% washable; impervious to water, highly resistant to organic solvents, oil, grease, most chemicals, acids & cleaning solutions
- Color: black or white tread
- Durometer: 70 Shore D +/-5
- Temp Range: -40°F to +180°F



Part Number Swivel Caster	Part Number Swivel with Total Lock	Part Number Rigid Caster	Wheel Diameter (inch)	Tread Width (inch)	Load Capacity (lbs)	Overall Height (inch)	Swivel Radius (inch)	Swivel Radius w/Total Lock (inch)	Swivel Radius w/Wheel Brake (inch)
27PO40JB60	FTPO40JB60	28PO40JB60	4	2	700	5-5/8	3-3/16	4	8-1/2
27PO50JB60	FTPO50JB60	28PO50JB60	5	2	900	6-1/2	3-7/8	4	9-1/2
27PO60JB60	FTPO60JB60	28PO60JB60	6	2	1000	7-1/2	4-9/16	6	10
27PO80JB60	FTPO80JB60	28PO80JB60	8	2	1200	9-1/2	6	6	11-1/2

**PA
WHEELS****POLYURETHANE ON ALUMINUM FLAT TREAD**

- Polyurethane elastomer tread chemically bonded to a light-weight aluminum core
- Aluminum core has a strong attractive appearance, is lightweight and is resistant to rust and corrosion
- Sealed Precision Ball Bearing Flanged

- 100% washable; impervious to water, highly resistant to organic solvents, oil, grease, most chemicals, acids & cleaning solutions
- Color: red, green & blue
- Durometer: 95 Shore A +/-5
- Temp Range: -40°F to +180°F



Part Number Swivel Caster	Part Number Swivel with Total Lock	Part Number Rigid Caster	Wheel Diameter (inch)	Tread Width (inch)	Load Capacity (lbs)	Overall Height (inch)	Swivel Radius (inch)	Swivel Radius w/Total Lock (inch)	Swivel Radius w/Wheel Brake (inch)
27PA40JN60	FTPA40JN60	28PA40JN60	4	2	800	5-5/8	3-3/16	4	8-1/2
27PA50JN60	FTPA50JN60	28PA50JN60	5	2	900	6-1/2	3-7/8	4	9-1/2
27PA60JN60	FTPA60JN60	28PA60JN60	6	2	1200	7-1/2	4-9/16	6	10
27PA80JN60	FTPA80JN60	28PA80JN60	8	2	1500	9-1/2	6	6	11-1/2

**MA
WHEELS****NYLON GLASS-FILLED**

- Injection molded, 30% glass filled nylon wheel; has the same weight capacity of steel, yet incredibly light-weight
- 100% washable & steam cleanable, not affected by grease, oil, most chemicals & cleaning solutions, salt, brine & blood
- Sealed Precision Ball Bearing with Top Hat Bushings

- Extreme impact strength, good abrasion and compression resistance, will not flat spot.
- Offers a smooth ergonomic ride; requires less effort to start up and maintain a rolling load
- Durometer: 85 Shore D +/-5
- Temp Range: -40°F to +250°F



Part Number Swivel Caster	Part Number Swivel with Total Lock	Part Number Rigid Caster	Wheel Diameter (inch)	Tread Width (inch)	Load Capacity (lbs)	Overall Height (inch)	Swivel Radius (inch)	Swivel Radius w/Total Lock (inch)	Swivel Radius w/Wheel Brake (inch)
27MA40JB63	FTMA40JB63	28MA40JB63	4	2	800	5-5/8	3-3/16	4	8-1/2
27MA50JB63	FTMA50JB63	28MA50JB63	5	2	1000	6-1/2	3-7/8	4	9-1/2
27MA60JB63	FTMA60JB63	28MA60JB63	6	2	1200	7-1/2	4-9/16	6	10
27MA80JB63	FTMA80JB63	28MA80JB63	8	2	1250	9-1/2	6	6	11-1/2

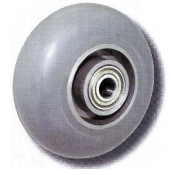
4 27/FT/28 SERIES KINGPIN CASTERS

BC WHEELS

RUBBER ON ALUMINUM

- High modulus quality rubber tread vulcanized to aluminum core
- Rounded balloon cushion tread offers the best shock absorbing cushioned ride available, easily rolls over debris and small obstructions (electrical cords, floor joint, etc), offers maximum floor protection, high impact strength and ultra quiet rolling operation

- Sealed Precision Ball Bearing with Top Hat Bushings
- High modulus round tread minimizes surface friction and enables wheel to turn easily
- Gray or black tread colors are available; gray tread is non-marking
- Durometer: 60 Shore A +/-5
- Temp Range: -40°F to +180°F



Part Number Swivel Caster	Part Number Swivel with Total Lock	Part Number Rigid Caster	Wheel Diameter (inch)	Tread Width (inch)	Load Capacity (lbs)	Overall Height (inch)	Swivel Radius (inch)	Swivel Radius w/Total Lock (inch)	Swivel Radius w/Wheel Brake (inch)
27BC60J63	FTBC60J63	28BC60J63	6	2	350	7-1/2	4-9/16	6	10
27BC80J63	FTBC80J63	28BC80J63	8	2	450	9-1/2	6	6	11-1/2

UA WHEELS

RUBBER ON ALUMINUM

- Uniquely formulated "Flex Compound" polyurethane elastomer is chemically and mechanically bonded to a precision aluminum core; double bonding helps prevent tread separation and assures reliable mobility
- Combination of the round tread and sealed precision ball bearings minimizes surface friction, enables wheel to turn easily and requires less effort to startup and maintain a rolling load

- Sealed Precision Ball Bearing with Top Hat Bushings
- Offers a semi-cushioned ride, is non-marking and is capable of rolling over debris (metal shavings, door & floor joints, etc.)
- Great for manual or power assisted (towline) applications
- Durometer: 85 Shore A +/-5
- Temp Range: -40°F to +180°F



Part Number Swivel Caster	Part Number Swivel with Total Lock	Part Number Rigid Caster	Wheel Diameter (inch)	Tread Width (inch)	Load Capacity (lbs)	Overall Height (inch)	Swivel Radius (inch)	Swivel Radius w/Total Lock (inch)	Swivel Radius w/Wheel Brake (inch)
27UA60JN63	FTUA60JN63	28UA60JN63	6	2	900	7-1/2	4-9/16	6	10
27UA80JN63	FTUA80JN63	28UA80JN63	8	2	1000	9-1/2	6	6	11-1/2

CP WHEELS

POLYURETHANE ON ELASTOMER TREAD

- 1-3/16" thick ultra-flex compound polyurethane elastomer tread chemically bonded to a mag style aluminum core, sets a new standard in high quality wheels; maximizing load capacity, shock load, and vibration stabilization
- Combination of the thick ultra-flex tread and oversized sealed precision ball bearings minimizes rolling resistance

- Sealed Precision Ball Bearing with Top Hat Bushings
- Elastic properties of ultra-flex tread provide excellent abrasion resistance and a cushioned ride that easily rolls over debris and small obstructions. Offers maximum floor protection, high impact strength and ultra quiet rolling operation
- Great for manual or power assisted applications
- Color: green
- Durometer: 70 Shore A +/-5
- Temp Range: -40°F to +180°F



Part Number Swivel Caster	Part Number Swivel with Total Lock	Part Number Rigid Caster	Wheel Diameter (inch)	Tread Width (inch)	Load Capacity (lbs)	Overall Height (inch)	Swivel Radius (inch)	Swivel Radius w/Total Lock (inch)	Swivel Radius w/Wheel Brake (inch)
27CP60JN64	FTCP60JN64	28CP60JN64	6	2	1200	7-1/2	4-9/16	6	10
27CP80JN64	FTCP80JN64	28CP80JN64	8	2	1500	9-1/2	6	6	11-1/2

**PH
WHEELS****PHENOLIC**

- Phenolic resin mixed with macerated canvas; creates a high capacity, high impact resistant wheel that has many years of proven reliability in the industry
- Hard tread rolls easily, provides good concrete floor protection and is quieter than steel wheels
- Sealed Precision Ball Bearing Flanged

- Resistant to oil, grease & solvents, non-metallic and non-sparking
- Economically priced wheel
- Zerk fitting are not standard, but available upon request
- Durometer: 90 Shore D +/-5
- Temp Range: -50°F to +250°F



Part Number Swivel Caster	Part Number Swivel with Total Lock	Part Number Rigid Caster	Wheel Diameter (inch)	Tread Width (inch)	Load Capacity (lbs)	Overall Height (inch)	Swivel Radius (inch)	Swivel Radius w/Total Lock (inch)	Swivel Radius w/Wheel Brake (inch)
27PH34JB60	FTPH34JB60	28PH34JB60	3-1/4	2	700	4-1/4	1-3/4	4	8-1/2
27PH40JB60	FTPH40JB60	28PH40JB60	4	2	800	5-5/8	3-3/16	4	8-1/2
27PH50JB60	FTPH50JB60	28PH50JB60	5	2	1000	6-1/2	3-7/8	4	9-1/2
27PH60JB60	FTPH60JB60	28PH60JB60	6	2	1200	7-1/2	4-9/16	6	10
27PH80JB60	FTPH80JB60	28PH80JB60	8	2	1250	9-1/2	6	6	11-1/2

HI-TEMP PHENOLIC +550°F intermittent (part# TPH)

- Stainless Steel Roller Bearing.

Part Number Swivel Caster	Part Number Swivel with Total Lock	Part Number Rigid Caster	Wheel Diameter (inch)	Tread Width (inch)	Load Capacity (lbs)	Overall Height (inch)	Swivel Radius (inch)	Swivel Radius w/Total Lock (inch)	Swivel Radius w/Wheel Brake (inch)
27HT40JB05	FTHT40JB05	28HT40JB05	4	2	800	5-5/8	3-3/16	4	8-1/2
27HT50JB05	FTHT50JB05	28HT50JB05	5	2	1000	6-1/2	3-7/8	4	9-1/2
27HT60JB05	FTHT60JB05	28HT60JB05	6	2	1200	7-1/2	4-9/16	6	10
27HT80JB05	FTHT80JB05	28HT80JB05	8	2	1250	9-1/2	6	6	11-1/2

**SW
WHEELS****POLYURETHANE ON ELASTOMER TREAD**

- Crowned polyurethane elastomer tread chemically bonded to a solid heavy-duty cast iron core
- Combination of crowned tread and heavy core, offers higher weight capacities, durability and greater mobility
- Sealed Precision Ball Bearings

- Provides good floor protection and quiet rolling operation
- Color: dark blue on black
- Durometer: 95 Shore D +/-5
- Temp Range: -40°F to +180°F



Part Number Swivel Caster	Part Number Swivel with Total Lock	Part Number Rigid Caster	Wheel Diameter (inch)	Tread Width (inch)	Load Capacity (lbs)	Overall Height (inch)	Swivel Radius (inch)	Swivel Radius w/Total Lock (inch)	Swivel Radius w/Wheel Brake (inch)
27SW60JU63	FTSW60JU63	28SW60JU63	6	2	1400	7-1/2	4-9/16	6	10
27SW80JU63	FTSW80JU63	28SW80JU63	8	2	1500	9-1/2	6	6	11-1/2

4 27/FT/28 SERIES KINGPIN CASTERS

RP WHEELS

ROUND TREAD POLYURETHANE ON CAST IRON CORE

- Uniquely formulated “Flex Compound” polyurethane elastomer is chemically bonded to heavy cast iron core
- Combination of the round tread and sealed precision ball bearings minimizes surface friction, enables wheel to turn easily and requires less effort to startup and maintain a rolling load

- Sealed Precision Ball Bearing with Top Hat Bushings
- Offers a semi-cushioned ride, is non-marking and is capable of rolling over debris (metal shavings, door & floor joints, etc.)
- Color: gray & black.
- Durometer: 80 Shore A +/-5
- Temp Range: -40°F to +180°F



Part Number Swivel Caster	Part Number Swivel with Total Lock	Part Number Rigid Caster	Wheel Diameter (inch)	Tread Width (inch)	Load Capacity (lbs)	Overall Height (inch)	Swivel Radius (inch)	Swivel Radius w/Total Lock (inch)	Swivel Radius w/Wheel Brake (inch)
27RP40JK63	FTRP40JK63	28RP40JK63	4	2	700	5-5/8	3-3/16	4	8-1/2
27RP50JK63	FTRP50JK63	28RP50JK63	5	2	800	6-1/2	3-7/8	4	9-1/2
27RP60JK63	FTRP60JK63	28RP60JK63	6	2	900	7-1/2	4-9/16	6	10
27RP80JK63	FTRP80JK63	28RP80JK63	8	2	1000	9-1/2	6	6	11-1/2

RH WHEELS

SUPREME RUBBER ON CAST IRON CORE

- High quality supreme rubber tread with a tensile strength of 1200 to 1400 PSI, vulcanized to a solid heavy duty cast iron core
- Upgraded tread material, core design and bearings; provide the perfect combination needed for use on tow lines and other demanding applications that normal mold-on rubber wheels may not be able to withstand

- Sealed Precision Ball Bearing with Top Hat Bushings
- Offers a shock absorbing semi-cushioned ride, rolls over small debris, uneven surfaces, cracks floor joints, etc
- Provides good floor protection and quiet rolling operation
- Durometer: 75 Shore A +/-5
- Temp Range: -40°F to +180°F



Part Number Swivel Caster	Part Number Swivel with Total Lock	Part Number Rigid Caster	Wheel Diameter (inch)	Tread Width (inch)	Load Capacity (lbs)	Overall Height (inch)	Swivel Radius (inch)	Swivel Radius w/Total Lock (inch)	Swivel Radius w/Wheel Brake (inch)
27RH60JS63	FTRH60JS63	28RH60JS63	6	2	700	7-1/2	4-9/16	6	10
27RH80JS63	FTRH80JS63	28RH80JS63	8	2	800	9-1/2	6	6	11-1/2

31 SERIES KINGPIN STAINLESS STEEL CASTERS



SWIVEL CASTER AND TOTAL LOCK STAINLESS STEEL CASTER WITH KR WHEEL
Add TL to swivel caster number



STAINLESS STEEL FOOT ACTIVATED SWIVEL LOCK



TECH-LOCK PEDAL BRAKE
H



TOP-LOCK BRAKE
T

OPTION RACEWAY SEALS



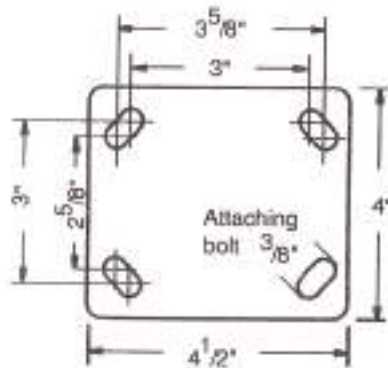
L
Thermo - plastic
up to 140° F



H
H.T. Neoprene
up to 380° F

1,250 LBS. LOAD CAPACITY STAINLESS STEEL TYPE CASTERS

- All metal parts made from 304 Stainless Steel 100% washable
- Double Ball Raceway offers smooth swiveling action, strength and long service life.
- Wash down, high temperature autoclavable wheels
- 1/4" Thick Fork Legs Robotically welded 2 1/2" spacing
- Kingpin 5/8" nut & bolt
- 1/2" Wheel axle
- Stainless Steel Precision Ball Bearings
- Polished Stainless Steel Rig available add "P"



TOP PLATE
4 X 4-1/2

BOLT HOLE CENTER
2-5/8 X 3-5/8
SLOTTED TO
3 X 3

ATTACHING BOLT SIZE
3/8

ALL WHEELS AVAILABLE WITH STAINLESS STEEL ROLLER BEARINGS OR DELRIN BUSHING

NY/MD
WHEELS

NYLACRON™ WHEELS

- Precision Machined from Cast Polyamide. Hardness 112-120 Rockwell R
- Ultimate choice for Extremely High Load applications to replace metallic wheels
- Offer very high abrasion resistance and very low rolling resistance under extreme loads

- Resistant to salt, grease, alcohol and mild acids - can be used in corrosive applications with appropriate bearings
- Stainless Steel Precision Ball Bearings
- Temperature Range: -40°F to +270°F



Part Number Swivel Caster	Part Number Swivel with Total Lock	Part Number Rigid Caster	Wheel Diameter (inch)	Tread Width (inch)	Load Capacity (lbs)	Overall Height (inch)	Swivel Radius (inch)	Swivel Radius w/Total Lock (inch)	Swivel Radius w/Wheel Brake (inch)
31SS42NYMD	32SS42NYMDTL	TSSS42NYMD	4	2	1250	5-5/8	3-3/16	4	8-1/2
31SS52NYMD	32SS52NYMDTL	TSSS52NYMD	5	2	1250	6-1/2	3-7/8	4	9-1/2
31SS62NYMD	32SS62NYMDTL	TSSS62NYMD	6	2	1250	7-1/2	4-9/16	6	10
31SS82NYMD	32SS82NYMDTL	TSSS82NYMD	8	2	1250	9-1/2	6	6	11-1/2

NY/MC
WHEELS

NYLACRON™ WHEELS WHITE

- Precision Machined from Cast Polyamide. Hardness 112-120 Rockwell R
- Ultimate choice for Extremely High Load applications to replace metallic wheels
- Offer very high abrasion resistance and very low rolling resistance under extreme loads

- Resistant to salt, grease, alcohol and mild acids - can be used in corrosive applications with appropriate bearings
- Stainless Steel Precision Ball Bearings
- Temperature Range: -40°F to +270°F



Part Number Swivel Caster	Part Number Swivel with Total Lock	Part Number Rigid Caster	Wheel Diameter (inch)	Tread Width (inch)	Load Capacity (lbs)	Overall Height (inch)	Swivel Radius (inch)	Swivel Radius w/Total Lock (inch)	Swivel Radius w/Wheel Brake (inch)
31SS42NYMC	32SS42NYMCTL	TSSS42NYMC	4	2	1250	5-5/8	3-3/16	4	8-1/2
31SS52NYMC	32SS52NYMCTL	TSSS52NYMC	5	2	1250	6-1/2	3-7/8	4	9-1/2
31SS62NYMC	32SS62NYMCTL	TSSS62NYMC	6	2	1250	7-1/2	4-9/16	6	10
31SS82NYMC	32SS82NYMCTL	TSSS82NYMC	8	2	1250	9-1/2	6	6	11-1/2

NN
WHEELS

NYLON WHEELS

- Injection molded from Nylon 6
- 100% washable & steam cleanable; impervious to water, highly resistant to organic solvents, most chemicals & cleaning solutions; ideal for use in food processing and packaging plants
- Offer high impact strength and exception abrasion resistance

- Hard tread has slight crown and rolls very easily
- Non-marking
- Durometer: 75 Shore D (+/-5)
- Stainless Steel Precision Ball Bearings
- Temperature Range: -40°F to +180°F
- Available in Anti-Static add "AS"



Part Number Swivel Caster	Part Number Swivel with Total Lock	Part Number Rigid Caster	Wheel Diameter (inch)	Tread Width (inch)	Load Capacity (lbs)	Overall Height (inch)	Swivel Radius (inch)	Swivel Radius w/Total Lock (inch)	Swivel Radius w/Wheel Brake (inch)
31SS42NN	32SS42NNTL	TSSS42NN	4	2	1250	5-5/8	3-3/16	4	8-1/2
31SS52NN	32SS52NNTL	TSSS52NN	5	2	1250	6-1/2	3-7/8	4	9-1/2
31SS62NN	32SS62NNTL	TSSS62NN	6	2	1250	7-1/2	4-9/16	6	10
31SS82NN	32SS82NNTL	TSSS82NN	8	2	1250	9-1/2	6	6	11-1/2

SS
WHEELS

STAINLESS STEEL WHEELS

- Type 304 Stainless Steel
- Non-magnetic & Non-sparking
- Excellent corrosion resistance
- Slightly crowned tread face with rounded corners

- Stainless Steel Precision Ball Bearings
- Temperature Range: 800°F

**Custom Stainless Steel Wheels
made to your specifications**

**V-Groove - VG
Flanged - FL**



Part Number Swivel Caster	Part Number Swivel with Total Lock	Part Number Rigid Caster	Wheel Diameter (inch)	Tread Width (inch)	Load Capacity (lbs)	Overall Height (inch)	Swivel Radius (inch)	Swivel Radius w/Total Lock (inch)	Swivel Radius w/Wheel Brake (inch)
31SS42SS	32SS42SS	TSSS42SS	4	2	1250	5-5/8	3-3/16	4	8-1/2
31SS52SS	32SS52SS	TSSS52SS	5	2	1250	6-1/2	3-7/8	4	9-1/2
31SS62SS	32SS62SS	TSSS62SS	6	2	1250	7-1/2	4-9/16	6	10
31SS82SS	32SS82SS	TSSS82SS	8	2	1250	9-1/2	6	6	11-1/2

SEN
WHEELS

SOLID ELASTOMER WHEEL NYLON CORE

- 70 Shore (D) durometer
- FDA standards for use in food processing environments
- 100% Washable

- Glass-filled nylon core insert endures heat
- High impact and abrasion resistant
- Resists oil, grease, water, and most solvents
- Stainless Steel Precision Ball Bearings
- Temp Range: -50°F to +180°F



Part Number Swivel Caster	Part Number Swivel with Total Lock	Part Number Rigid Caster	Wheel Diameter (inch)	Tread Width (inch)	Load Capacity (lbs)	Overall Height (inch)	Swivel Radius (inch)	Swivel Radius w/Total Lock (inch)	Swivel Radius w/Wheel Brake (inch)
31SS42SEN	32SS42SEN	TSSS42SEN	4	2	900	5-5/8	3-3/16	4	8-1/2
31SS52SEN	32SS52SEN	TSSS52SEN	5	2	900	6-1/2	3-7/8	4	9-1/2
31SS62SEN	32SS62SEN	TSSS62SEN	6	2	900	7-1/2	4-9/16	6	10
31SS82SEN	32SS82SEN	TSSS82SEN	8	2	900	9-1/2	6	6	11-1/2

KR
WHEELS

SOLID POLYURETHANE KRYTONIC™ WHEELS

- Polyether Polyurethane has excellent carrying capacity.
- Crown shape affords an easy-rolling quiet operation
- Greater service life and resistance to chunking, cutting and abrasive wear

- 100% washable, steam cleanable, and resistant to most chemicals
- Non-marking tread
- Durometer: 58 Shore D (+/-5)
- Stainless Steel Precision Ball Bearings
- Temperature Range: + 250°F for up to a 1/2 hour.



Part Number Swivel Caster	Part Number Swivel with Total Lock	Part Number Rigid Caster	Wheel Diameter (inch)	Tread Width (inch)	Load Capacity (lbs)	Overall Height (inch)	Swivel Radius (inch)	Swivel Radius w/Total Lock (inch)	Swivel Radius w/Wheel Brake (inch)
31SS42KR	32SS42KR	TSSS42KR	4	2	800	5-5/8	3-3/16	4	8-1/2
31SS52KR	32SS52KR	TSSS52KR	5	2	900	6-1/2	3-7/8	4	9-1/2
31SS62KR	32SS62KR	TSSS62KR	6	2	900	7-1/2	4-9/16	6	10
31SS82KR	32SS82KR	TSSS82KR	8	2	900	9-1/2	6	6	11-1/2

OTHER TYPE WHEELS AVAILABLE FOR THIS SERIES:

NYLON FIBERGLASS (NG), NYLACRON™ MD (NY/MD), NYLACRON™ MONOCAST (NY/MC), HIGH TEMP PHENOLIC (TR) AND HEATEATER (HE)
SEE WHEEL SECTION FOR COMPLETE SPECIFICATIONS.

HE
WHEELS

HI-TEMP NYLON WHEELS

- Ideal for speciality applications
- Won't chip, absorbs water or breakdown in caustic environments

- Moderate crown, black finish
- Durometer: 85 Shore D +5
- Stainless Steel Rolling Bearings
- Temperature Range: up to +475°F



Part Number Swivel Caster	Part Number Swivel with Total Lock	Part Number Rigid Caster	Wheel Diameter (inch)	Tread Width (inch)	Load Capacity (lbs)	Overall Height (inch)	Swivel Radius (inch)	Swivel Radius w/Total Lock (inch)	Swivel Radius w/Wheel Brake (inch)
31SS42HEZB03	32SS42HEZB03	TSSS42HEZB03	4	2	800	5-5/8	3-3/16	4	8-1/2
31SS52HEZB03	32SS52HEZB03	TSSS52HEZB03	5	2	1000	6-1/2	3-7/8	4	9-1/2
31SS62HEZB03	32SS62HEZB03	TSSS62HEZB03	6	2	1200	7-1/2	4-9/16	6	10
31SS82HEZB03	32SS82HEZB03	TSSS82HEZB03	8	2	1400	9-1/2	6	6	11-1/2

RW
WHEELS

RETORT POLYPROPYLENE WHEELS

- Designed to withstand the rigors of high temperature
- Oversized bore ID ensures smooth movement even if wheels experience heat expansion

- Moderate crown, white finish
- Durometer: 75 Shore D
- Stainless Steel Rolling Bearings
- Temperature Range: -20°F to +290°F



Part Number Swivel Caster	Part Number Swivel with Total Lock	Part Number Rigid Caster	Wheel Diameter (inch)	Tread Width (inch)	Load Capacity (lbs)	Overall Height (inch)	Swivel Radius (inch)	Swivel Radius w/Total Lock (inch)	Swivel Radius w/Wheel Brake (inch)
31SS42RWZB03	32SS42RWZB03	TSSS42RWZB03	4	2	500	5-5/8	3-3/16	4	8-1/2
31SS52RWZB03	32SS52RWZB03	TSSS52RWZB03	5	2	1250	6-1/2	3-7/8	4	9-1/2
31SS62RWZB03	32SS62RWZB03	TSSS62RWZB03	6	2	1250	7-1/2	4-9/16	6	10
31SS82RWZB03	32SS82RWZB03	TSSS82RWZB03	8	2	1250	9-1/2	6	6	11-1/2

NG
WHEELS

GLASS FILLED NYLON WHEELS

- Injection molded, 30% glass filled nylon wheel
- 100% washable & steam cleanable, not affected by grease, oils, most chemicals & cleaning solutions, salt, brine & blood
- Extreme impact strength, good abrasion and compression resistance

- Offers a smooth ergonomic ride; requires less effort to start up and maintain a rolling load
- Durometer: 85 Shore D (+/-5)
- Stainless Steel Pedestal Precision Ball Bearings
- Temperature Range: -45°F to +250°F up to 3500 F, when used with all metallic bearings and high-temp grease



Part Number Swivel Caster	Part Number Swivel with Total Lock	Part Number Rigid Caster	Wheel Diameter (inch)	Tread Width (inch)	Load Capacity (lbs)	Overall Height (inch)	Swivel Radius (inch)	Swivel Radius w/Total Lock (inch)	Swivel Radius w/Wheel Brake (inch)
31SS42NG	32SS42NG	TSSS42NG	4	2-3/16	800	5-5/8	3-3/16	4	8-1/2
31SS52NG	32SS52NG	TSSS52NG	5	2-3/16	1000	6-1/2	3-7/8	4	9-1/2
31SS62NG	32SS62NG	TSSS62NG	6	2-3/16	1200	7-1/2	4-9/16	6	10
31SS82NG	32SS82NG	TSSS82NG	8	2-3/16	1400	9-1/2	6	6	11-1/2



HYDRAULIC RIVET SWIVEL

STAINLESS STEEL
FOOT ACTIVATED SWIVEL LOCK

ALL WHEELS
AVAILABLE WITH
STAINLESS STEEL
ROLLER BEARINGS
OR
DELTRIN BUSHING

1,250 LBS. LOAD CAPACITY STAINLESS STEEL KINGPINLESS TYPE CASTERS

- **Top Plate & Yoke Base:** Formed from superior 1/4" Type 304 stainless steel
- **Finish:** Highly polished stainless steel
- **Swivel Section:** Double stainless steel ball bearing raceways formed smooth for ease of swiveling
- **King Pin:** Stainless steel rivet
- **Axle:** 1/2" diameter, stainless steel hollow with roller bearings. Stainless steel axle with precision ball bearings
- **Fork Legs:** 1/4" stainless steel formed for added strength welded to yoke base
- **Spanner Bushing:** Type 304 Stainless Steel
- **Zerk Fitting:** Type 304 Stainless Steel
- **NSF:** Consult factory
- Alternate or custom caster configurations available

This caster is the ideal solution for applications where frequent washdowns are necessary. The stainless steel caster is also well suited for applications exposed to cleaning agents, steam, caustic solutions, or other corrosive agents which could cause rust.

MOUNTING PLATE OPTIONS

TOP PLATE: 05 (STANDARD)

- **Plate Size:** 4 x 4-1/2
- **Bolt Holes:** 2-5/8 x 3-5/8
slotted to 3 x 3
- **Bolt Size:** 3/8

BEARING OPTIONS

- Stainless Steel Roller (01)
- Stainless Steel Precision Ball (28)
- Stainless Steel Pedestal Ball (29)

RIG OPTIONS

- Neoprene sealed swivel section. Specify **NS05**
- NSF Listed for food service industry. Specify **NSF**
- Notched seal kit. Specify **SD016001**
- Unnotched seal kit. Specify **SD016002**

BRAKES OPTIONS

Stainless Steel
Cam
specify **CB1**



Stainless Steel
Face Brake
specify **FBD**

Foot Activated
Swivel Lock
specify **SL 160002**



TYPICAL APPLICATIONS

- Institutional
- Hospitality
- Food Service
- Pharmaceuticals
- Hotel Luggage Carts
- Hospital Beds
- Stock Carts
- Laundry Trucks
- Dollies

IMPROVE ROLLABILITY WITH THE ERGONOMIC ADVANTAGE

PRECISION BALL BEARINGS - Completely sealed, these precision ground ball bearings are constructed using hardened raceways to give you the ultimate in rolling ease. In fact, this bearing offers the lowest rolling resistance of all of our bearings. Bearings never need to be lubricated to cut maintenance time and cost.

ALL BALL AND PRECISION BEARING WHEELS WITH 2-1/2" HUB LENGTH WILL FIT IN ALL 4 CATEGORY SERIES CASTERS
See Wheel Section for complete selection.

4

05 SERIES KINGPIN STAINLESS STEEL CASTERS

**X-TRA SOFT
FLAT TREAD
01 ROLLER BEARING
XS**

- Prevenz™ antimicrobial models available
- Add PREV to end of caster number
- Stainless Steel Roller 01 ZB03 and Delrin 51 Bearings available
- Change "01" to other breaking code
- Stainless Steel Roller Example: 05XS0420**1 ZB03**

Part Number Swivel Caster	Part Number Rigid Caster	Wheel Diameter (inch)	Tread Width (inch)	Load Capacity (lbs)	Overall Height (inch)	Swivel Lead (inch)	Approx. Weight (lbs)
05XS0420 1S	05XS0420 1R	4	2	350	5-5/8	1-7/16	5-1/4
05XS0520 1S	05XS0520 1R	5	2	375	6-1/2	1-5/8	5-1/4
05XS0620 1S	05XS0620 1R	6	2	600	7-1/2	1-7/8	5-3/4
05XS0820 1S	05XS0820 1R	8	2	675	9-1/2	2-3/8	6

**X-TRA SOFT
ROUND TREAD
01 ROLLER BEARING
XR**

- Prevenz™ antimicrobial models available
- Add PREV to end of caster number
- Stainless Steel Roller 01 ZB03 and Delrin 51 Bearings available
- Change "01" to other breaking code
- Stainless Steel Roller Example: 05XS0620**1 ZB03**

Part Number Swivel Caster	Part Number Rigid Caster	Wheel Diameter (inch)	Tread Width (inch)	Load Capacity (lbs)	Overall Height (inch)	Swivel Lead (inch)	Approx. Weight (lbs)
05XR0620 1S	05XR0620 1R	6	2	600	7-1/2	1-7/8	5-3/4
05XR0820 1S	05XR0820 1R	8	2	675	9-1/2	2-3/8	6

**HIGH MODULUS RUBBER ON
ALUMINUM
28 PRECISION BALL BEARING
RM**

- For black tread specify "RL" wheel code
Example: 5**RL**05228

Part Number Swivel Caster	Part Number Rigid Caster	Wheel Diameter (inch)	Tread Width (inch)	Load Capacity (lbs)	Overall Height (inch)	Swivel Lead (inch)	Approx. Weight (lbs)
05RM0522 8S	05RM0522 8R	5	2	300	6-1/2	1-5/8	5-1/2
05RM0622 8S	05RM0622 8R	6	2	350	7-1/2	1-7/8	6-1/2
05RM0822 8S	05RM0822 8R	8	2	450	9-1/2	2-3/8	8-1/2

**MOLDON ON RUBBER
ON ALUMINUM
01 ROLLER BEARING
MD**

Part Number Swivel Caster	Part Number Rigid Caster	Wheel Diameter (inch)	Tread Width (inch)	Load Capacity (lbs)	Overall Height (inch)	Swivel Lead (inch)	Approx. Weight (lbs)
05MD0410 1S	05MD0410 1R	4	2	250	5-5/8	1-7/16	4-3/4
05MD0510 1S	05MD0510 1R	5	2	300	6-1/2	1-5/8	5
05MD0610 1S	05MD0610 1R	6	2	550	7-1/2	1-7/8	6
05MD0810 1S	05MD0810 1R	8	2	600	9-1/2	2-3/8	6-1/2

**POLYPROPYLENE
01 ROLLER BEARING****PB**

- Stainless Steel Roller 01 ZB03 and Delrin 51 Bearings available
- Change "01" to other breaking code

- Stainless Steel Roller Example: 05XS04201 ZB03

Part Number Swivel Caster	Part Number Rigid Caster	Wheel Diameter (inch)	Tread Width (inch)	Load Capacity (lbs)	Overall Height (inch)	Swivel Lead (inch)	Approx. Weight (lbs)
05PB04201S	05PB04201R	4	2	450	5-5/8	1-7/16	3-3/4
05PB05201S	05PB05201R	5	2	550	6-1/2	1-5/8	4-1/2
05PB06201S	05PB06201R	6	2	650	7-1/2	1-7/8	4-3/4
05PB08201S	05PB08201R	8	2	850	9-1/2	2-3/8	6-1/4

**FIBERGLASS FILLED
POLYPROPYLENE
01 ROLLER BEARING****GP**

- Stainless Steel Roller 01 ZB03 and Delrin 51 Bearings available
- Change "01" to other breaking code

- Stainless Steel Roller Example: 05XS06201 ZB03

Part Number Swivel Caster	Part Number Rigid Caster	Wheel Diameter (inch)	Tread Width (inch)	Load Capacity (lbs)	Overall Height (inch)	Swivel Lead (inch)	Approx. Weight (lbs)
05GP04201S	05GP04201R	4	2	800	5-5/8	1-7/16	5
05GP05201S	05GP05201R	5	2	1000	6-1/2	1-5/8	5-1/4
05GP06201S	05GP06201R	6	2	1200	7-1/2	1-7/8	5-3/4
05GP08201S	05GP08201R	8	2	1200	9-1/2	2-3/8	7

**RETORT HIGH TEMP
POLYPROPYLENE
41 PLAIN BORE****RW**

Part Number Swivel Caster	Part Number Rigid Caster	Wheel Diameter (inch)	Tread Width (inch)	Load Capacity (lbs)	Overall Height (inch)	Swivel Lead (inch)	Approx. Weight (lbs)
05RW04201S	05RW04201R	4	2	500	5-5/8	1-7/16	3-3/4
05RW05201S	05RW05201R	5	2	650	6-1/2	1-5/8	5-1/4
05RW06201S	05RW06201R	6	2	700	7-1/2	1-7/8	5-1/2
05RW08201S	05RW08201R	8	2	900	9-1/2	2-3/8	6-1/4

**POLYURETHANE ON
ALUMINUM ROUND TREAD
28 PRECISION BALL BEARING****PM**

Part Number Swivel Caster	Part Number Rigid Caster	Wheel Diameter (inch)	Tread Width (inch)	Load Capacity (lbs)	Overall Height (inch)	Swivel Lead (inch)	Approx. Weight (lbs)
05PM05101S	05PM05101R	5	2	1000	6-1/2	1-5/8	6
05PM06101S	05PM06101R	6	2	1200	7-1/2	1-7/8	7
05PM08101S	05PM08101R	8	2	1200	9-1/2	2-3/8	9

4

05 SERIES KINGPIN STAINLESS STEEL CASTERS

**POLYURETHANE ON
POLYPROPYLENE
01 ROLLER BEARING
XA**

- Prevenz™ antimicrobial models available
- Add PREV to end of caster number
- Stainless Steel Roller 01 ZB03 and Delrin 51 Bearings available
- Change “01” to other breaking code
- Stainless Steel Roller Example: 05XS04201 **ZB03**

Part Number Swivel Caster	Part Number Rigid Caster	Wheel Diameter (inch)	Tread Width (inch)	Load Capacity (lbs)	Overall Height (inch)	Swivel Lead (inch)	Approx. Weight (lbs)
05XA04201S	05XA04201R	4	2	600	5-5/8	1-7/16	5
05XA05201S	05XA05201R	5	2	750	6-1/2	1-5/8	5-1/4
05XA06201S	05XA06201R	6	2	900	7-1/2	1-7/8	5-3/4
05XA08201S	05XA08201R	8	2	1000	9-1/2	2-3/8	7

**X-TREME™
PLUS SOLID
POLYURETHANE
01 ROLLER BEARING
XI**

- Prevenz™ antimicrobial models available
- Add PREV to end of caster number
- Stainless Steel Roller 01 ZB03, Bronze 22, Pedestal Precision 29, Annular Ball 31 and Delrin 51 Bearings available
- Change “01” to other breaking code
- Stainless Steel Roller Example: 05XI04229

Part Number Swivel Caster	Part Number Rigid Caster	Wheel Diameter (inch)	Tread Width (inch)	Load Capacity (lbs)	Overall Height (inch)	Swivel Lead (inch)	Approx. Weight (lbs)
05XI04201S	05XI04201R	4	2	1000	5-5/8	1-7/16	4-1/4
05XI05201S	05XI05201R	5	2	1000	6-1/2	1-5/8	5
05XI06201S	05XI06201R	6	2	1000	7-1/2	1-7/8	5-1/2
05XI08201S	05XI08201R	8	2	1000	9-1/2	2-3/8	6-1/2

**PHENOLIC
01 ROLLER BEARING
TM**

- Stainless Steel Roller 01 ZB03 and Delrin 51 Bearings available
- Change “01” to other breaking code
- Stainless Steel Roller Example: 05XS04201 **ZB03**

Part Number Swivel Caster	Part Number Rigid Caster	Wheel Diameter (inch)	Tread Width (inch)	Load Capacity (lbs)	Overall Height (inch)	Swivel Lead (inch)	Approx. Weight (lbs)
05TM04201S	05TM04201R	4	2	800	5-5/8	1-7/16	5
05TM05201S	05TM05201R	5	2	1000	6-1/2	1-5/8	5-1/4
05TM06201S	05TM06201R	6	2	1200	7-1/2	1-7/8	6-1/4
05TM08201S	05TM08201R	8	2	1200	9-1/2	2-3/8	8

MAXIM®
01 ROLLER BEARING
NG

- Prevenz™ antimicrobial models available
- Add PREV to end of caster number
- Stainless Steel Roller 01 ZB03, Bronze 22, Pedestal Precision 29, Annular Ball 31 and Delrin 51 Bearings available
- Change “01” to other breaking code
- Stainless Steel Roller Example: 05XI042**29**
- Add **NR** for Noise Reduction

Part Number Swivel Caster	Part Number Rigid Caster	Wheel Diameter (inch)	Tread Width (inch)	Load Capacity (lbs)	Overall Height (inch)	Swivel Lead (inch)	Approx. Weight (lbs)
05NG04201S	05NG04201R	4	2	800	5-5/8	1-7/16	5
05NG05201S	05NG05201R	5	2	1000	6-1/2	1-5/8	5-1/4
05NG06201S	05NG06201R	6	2	1200	7-1/2	1-7/8	5-3/4
05NG08201S	05NG08201R	8	2	1200	9-1/2	2-3/8	7

HI-TEMP NYLON
01 ROLLER BEARING
HE

- Stainless Steel Roller 01 ZB03 and Delrin 51 Bearings available
- Change “01” to other breaking code
- Stainless Steel Roller Example: 05XS04201 **ZB03**

Part Number Swivel Caster	Part Number Rigid Caster	Wheel Diameter (inch)	Tread Width (inch)	Load Capacity (lbs)	Overall Height (inch)	Swivel Lead (inch)	Approx. Weight (lbs)
05HE04201S	05HE04201R	4	2	800	5-5/8	1-7/16	3-3/4
05HE05201S	05HE05201R	5	2	1000	6-1/2	1-5/8	5-1/4
05HE06201S	05HE06201R	6	2	1200	7-1/2	1-7/8	5-3/4
05HE08201S	05HE08201R	8	2	1200	9-1/2	2-3/8	6-1/2

DROP FORGED STEEL
01 ROLLER BEARING
FS

- Stainless Steel Roller 01 ZB03 and Delrin 51 Bearings available
- Change “01” to other breaking code
- Stainless Steel Roller Example: 05XS04201 **ZB03**
- Stainless steel drop forged wheels available

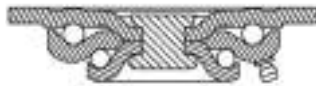
Part Number Swivel Caster	Part Number Rigid Caster	Wheel Diameter (inch)	Tread Width (inch)	Load Capacity (lbs)	Overall Height (inch)	Swivel Lead (inch)	Approx. Weight (lbs)
05FS04201S	05FS04201R	4	2	800	5-5/8	1-7/16	7
05FS05201S	05FS05201R	5	2	1000	6-1/2	1-5/8	8-3/4
05FS06201S	05FS08201R	6	2	1200	7-1/2	1-7/8	9-3/4

4 40 SERIES SPRING-LOADED CASTERS

500 LBS. LOAD CAPACITY CASTERS



SWIVEL CROSS SECTION



- **Load Springs:** Maximum rated capacity loads will deflect wheel approximately 3/8" (50%). Different load springs for each series permits wide variation in ride "softness." They can be preloaded to obtain various degrees of deflection
- **Top Plate & Yoke Base:** Made from 1/4" steel plate and unnotched
- **Swivel Section:** Cold formed, hardened double ball bearing raceways minimize ball indentation and wear
- **Legs:** 1/4" steel cold formed to increase strength and welded to the yoke base
- **King Bolt:** 5/8" diameter orbitally spun steel rivet
- **Axle:** 1/2" diameter hollow axle complete with lock nut. Axle is solid for 28 & 29 ball bearings
- **Wheel Seals:** Nylon seal retaining/thrust washers
- Alternate or custom caster configurations available

Designed with the load in mind, the 40 series protects from damaging shocks or unwanted vibration and movement. Noise levels are reduced through the dampening effect of these casters.

MOUNTING

TOP PLATE: (STANDARD)

Plate Size: 4 x 4-1/2

Bolt Holes: 2-5/8 x 3-5/8
slotted to 3 x 3

Bolt Size: 3/8

RIG OPTIONS

NS	Neoprene Sealed Swivel Section
ZF	Hollow Axle
SSB	Single Side Brake
DSB	Double Side Brake
SL	Swivel Lock

BRAKES OPTIONS

Single Sided and **Double Sided** Brakes available. Consult Factory

Swivel Lock available (welded)
Consult Factory

TYPICAL APPLICATIONS

- Aircraft tripod jacks
- Portable medical equipment
- Computer equipment
- Shock sensitive loads

BEARING OPTIONS

Roller Bearing **(02)**

Industrial Ball **(27)**

Precision Ball **(28)**

4 40 SERIES SPRING-LOADED CASTERS

X-TRA SOFT FLAT TREAD 29 PEDESTAL PRECISION XS

- Prevenz™ antimicrobial models available
- Add PREV to end of caster number
- Industrial Ball 27, Annular Ball 31 available
- Change "01" to other bearing code
- Industrial Ball example: 40XS05227



Part Number Swivel Caster	Part Number Rigid Caster	Wheel Diameter (inch)	Tread Width (inch)	Load Capacity (lbs)	Overall Height (inch)	Swivel Lead (inch)	Approx. Weight (lbs)
40XS05229S	40XS05229R	5	2	375	8	1-3/4	8
40XS06229S	40XS06229R	6	2	500	8-1/2	1-3/4	8-1/2
40XS08229S	40XS08229R	8	2	500	10-1/2	1-3/4	9-1/2

POLYURETHANE ON POLYPROPYLENE 29 PEDESTAL PRECISION XA

Part Number Swivel Caster	Part Number Rigid Caster	Wheel Diameter (inch)	Tread Width (inch)	Load Capacity (lbs)	Overall Height (inch)	Swivel Lead (inch)	Approx. Weight (lbs)
40XA05229S	40XA05229R	5	2	500	8	1-3/4	8
40XA06229S	40XA06229R	6	2	500	8-1/2	1-3/4	8-3/4
40XA08229S	40XA08229R	8	2	500	10-1/2	1-3/4	9-1/2



ELASTIC BLUE RUBBER BALL BEARING ERB

- Elastic solid rubber, smooth rolling quality
- Color Blue, 65° + 3° shore A
- Vulcanized, for non-detachable bond, low rolling resistance
- Made of aluminum die-cast, corrosion-resistant, with dual sealed precision ball bearings

Part Number Swivel Caster	Part Number Rigid Caster	Wheel Diameter (inch)	Tread Width (inch)	Load Capacity (lbs)	Overall Height (inch)	Swivel Lead (inch)	Approx. Weight (lbs)
40ERB06229S	40ERB06229R	6	2	660	7-1/2	1-3/4	6-1/2
40ERB08229S	40ERB08229R	8	2	800	9-1/2	1-3/4	7-1/2



4 40 SERIES SPRING-LOADED CASTERS

POLYURETHANE ON ALUMINUM FLAT TREAD 29 PEDESTAL PRECISION

PD

Part Number Swivel Caster	Part Number Rigid Caster	Wheel Diameter (inch)	Tread Width (inch)	Load Capacity (lbs)	Overall Height (inch)	Swivel Lead (inch)	Approx. Weight (lbs)
40PD05229S	40PD05229R	5	2	500	8	1-3/4	9
40PD06229S	40PD06229R	6	2	500	8-1/2	1-3/4	8-3/4
40PD08229S	40PD08229R	8	2	500	10-1/2	1-3/4	10



POLYURETHANE ON ALUMINUM ROUND TREAD 28 ROLLER BEARING

PM

Part Number Swivel Caster	Part Number Rigid Caster	Wheel Diameter (inch)	Tread Width (inch)	Load Capacity (lbs)	Overall Height (inch)	Swivel Lead (inch)	Approx. Weight (lbs)
40PM05228S	40PM05228R	5	2	500	8	1-3/4	11
40PM06228S	40PM06228R	6	2	500	8-1/2	1-3/4	12-1/2
40PM08228S	40PM08228R	8	2	500	10-1/2	1-3/4	13



NYLACRON™ 29 PRECISION BALL BEARING

NY/MD

Part Number Swivel Caster	Part Number Rigid Caster	Wheel Diameter (inch)	Tread Width (inch)	Load Capacity (lbs)	Overall Height (inch)	Swivel Lead (inch)	Approx. Weight (lbs)
40NYMD05201S	40NYMD05201R	5	2	500	8	1-3/4	8
40NYMD06201S	40NYMD06201R	6	2	500	8-1/2	1-3/4	8-3/4
40NYMD08201S	40NYMD08201R	8	2	500	10-1/2	1-3/4	9-1/2



NYLACRON™ WHITE 29 PRECISION BALL BEARING

NY/MC

Part Number Swivel Caster	Part Number Rigid Caster	Wheel Diameter (inch)	Tread Width (inch)	Load Capacity (lbs)	Overall Height (inch)	Swivel Lead (inch)	Approx. Weight (lbs)
40NYMC05228S	40NYMC05228R	5	2	500	8	1-3/4	8
40NYMC06228S	40NYMC06228R	6	2	500	8-1/2	1-3/4	8-3/4
40NYMC08228S	40NYMC08228R	8	2	500	10-1/2	1-3/4	9-1/2



4 100 SERIES PNEUMATIC CASTERS



300 LBS. LOAD CAPACITY CASTERS

- Double ball bearing swivel raceway
- Zinc plated standard
- Top plate and yoke 1/4" cold forged steel
- 5/8" riveted kingpin
- 1/2" diameter axle and lock nut
- Shock absorbing
- Grease fittings in swivel raceway
- Quiet rolling and easy moving
- Pneumatic flat free wheels

RIG OPTIONS

- CS** Swivel
- CR** Rigid
- TS** Swivel/Top Lock Brake
- DSB** Double Side Brake
- SL** Swivel Lock

BRAKES OPTIONS

Single Side and **Double Sided** Brakes available. Consult Factory.

Swivel Lock available (welded)
Consult Factory.

The 100 Series casters provides a smooth and easy movement. The grease fittings and 4-ply rubber pneumatics make the 100 Series perfect for carts, platform trucks, and more.

TYPICAL APPLICATIONS

- Platform Trucks
- Institutional
- Commercial
- Lawn and Garden

MOUNTING

TOP PLATE: (STANDARD)

- Plate Size:** 4" x 4-1/2"
- Bolt Holes:** 2-5/8" x 3-5/8"
slotted to 3" x 3"
- Bolt Size:** 3/8"

Part Number Swivel Caster	Part Number Rigid Caster	Part Number Top Lock	Wheel Diameter (inch)	Tread Width (inch)	Wheel Type	Load Capacity (inch)	Overall Height (inch)	Radius (inch)
100CS620FF4503	100CR620FF4503	100TS620FF4503	6	2	Flat-Free	250	7-1/2	4-1/2
100CS830FF4503	100CR830FF4503	100TS830FF4503	8	3	Flat-Free	300	9-3/4	6-1/2

Caster Type**Page**

GHKU LTP Kingpinless Casters2-5

KDW Dual Wheel Kingpinless Casters.....6-7

**ALL WHEELS ARE AVAILABLE WITH
PRECISION BALL BEARING, CENTERPIECE & END CAPS
FOR MANUAL OR TOWING TO FIT IN 2-1/2" HUB LENGTH RIGS.
See Wheel Section for complete selection.**

GHKU LTP SERIES KINGPINLESS CASTERS



**LEADING SIDE
TOTAL LOCK SWIVEL CASTER**
Add TL to swivel caster number



**NEW TRAILING SIDE
TOTAL LOCK SWIVEL CASTER**
No need to move cots back and forth
for finding the brake pedal.
Add TLN to swivel caster number



Specify Toe Guard
TO



Swivel Head Section



Total Lock System



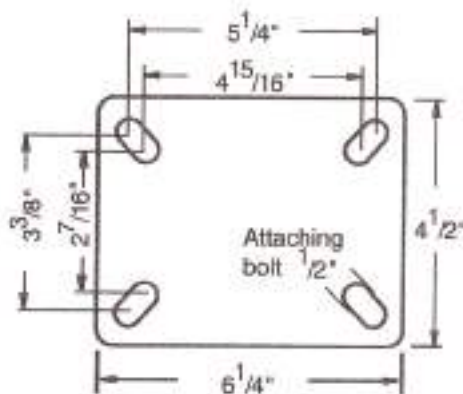
Wheel Face Brake



Directional Lock

2,000 LBS. LOAD CAPACITY FORGED KINGPINLESS TYPE CASTERS

- Single piece Drop Forged AISI 1045 Steel Top Plate and Fork Base.
- Precision CNC Machined Raceways with Kingpinless construction.
- Induction Hardening of Raceways ensures uniform depth of hardness.
- Totally Sealed Swivel Head with Grease Nipple.
- 1/4" Thick Fork Legs robotically welded Inside & Outside to 2 1/2" fork spacing.
- 1/2" Wheel axle.
- 4 Position Directional Lock Slots.
- Finish: Bright Zinc Plated.



TOP PLATE
4-1/2 X 6-1/4

BOLT HOLE CENTER
3-3/8 X 5-1/4
SLOTTED TO
2-7/16 X 4-15/16

ATTACHING BOLT SIZE
1/2

RIG OPTIONS
DL: 4-WAY DIRECTIONAL LOCK
WFB: WHEEL FACE BRAKE
ADD TO SUFFIX
OF THE CASTER PART NUMBER

NY/MD WHEELS

NYLACRON™ WHEELS

- Precision Machined from Cast Polyamide Hardness 112-120 Rockwell R.
- Ultimate choice for Extremely High Load applications to replace metallic wheels.
- Offer very high abrasion resistance and very low rolling resistance under extreme loads.

- Resistant to salt, grease, alcohol and mild acids - can be used in corrosive applications with appropriate bearings.
- Precision Ball Bearings.
- Temperature Range: -40°F to +270°F.



Part Number Swivel Caster	Part Number Swivel with Total Lock	Part Number Rigid Caster	Wheel Diameter (inch)	Tread Width (inch)	Load Capacity (lbs)	Overall Height (inch)	Swivel Radius (inch)	Swivel Radius w/Total Lock (inch)	Swivel Radius w/Wheel Brake (inch)
GHKULTPS42NYMD	GHKULTPTL42NYMD	GHKULTPR42NYMD	4	2	2000	5-5/8	3-3/16	4	8-1/2
GHKULTPS52NYMD	GHKULTPTL52NYMD	GHKULTPR52NYMD	5	2	2000	6-1/2	3-7/8	4	9-1/2
GHKULTPS62NYMD	GHKULTPTL62NYMD	GHKULTPR62NYMD	6	2	2000	7-1/2	4-9/16	6	10
GHKULTPS82NYMD	GHKULTPTL82NYMD	GHKULTPR82NYMD	8	2	2000	9-1/2	6	6	11-1/2

NY/MC WHEELS

NYLACRON™ WHITE WHEELS

- Precision Machined from Cast Polyamide. Hardness 112-120 Rockwell R.
- Ultimate choice for Extremely High Load applications to replace metallic wheels.
- Offer very high abrasion resistance and very low rolling resistance under extreme loads.

- Resistant to salt, grease, alcohol and mild acids - can be used in corrosive applications with appropriate bearings.
- Precision Ball Bearings.
- Temperature Range: -40°F to +270°F.



Part Number Swivel Caster	Part Number Swivel with Total Lock	Part Number Rigid Caster	Wheel Diameter (inch)	Tread Width (inch)	Load Capacity (lbs)	Overall Height (inch)	Swivel Radius (inch)	Swivel Radius w/Total Lock (inch)	Swivel Radius w/Wheel Brake (inch)
GHKULTPS42NYMC	GHKULTPTL42NYMC	GHKULTPR42NYMC	4	2	2000	5-5/8	3-3/16	4	8-1/2
GHKULTPS52NYMC	GHKULTPTL52NYMC	GHKULTPR52NYMC	5	2	2000	6-1/2	3-7/8	4	9-1/2
GHKULTPS62NYMC	GHKULTPTL62NYMC	GHKULTPR62NYMC	6	2	2000	7-1/2	4-9/16	6	10
GHKULTPS82NYMC	GHKULTPTL82NYMC	GHKULTPR82NYMC	8	2	2000	9-1/2	6	6	11-1/2

KR WHEELS

KRYTONIC™ WHEELS

- Excellent carrying capacity.
- Slight crown shape affords an easy-rolling quiet operation.
- Greater service life and resistance to chunking, cutting and abrasive wear.

- 100% washable, steam cleanable, and resistant to most chemicals.
- Non-marking tread.
- Durometer: 58 Shore D (+/-5).
- Stainless Steel Precision Ball Bearings.
- Temperature Range: + 250°F for up to a 1/2 hour.



Part Number Swivel Caster	Part Number Swivel with Total Lock	Part Number Rigid Caster	Wheel Diameter (inch)	Tread Width (inch)	Load Capacity (lbs)	Overall Height (inch)	Swivel Radius (inch)	Swivel Radius w/Total Lock (inch)	Swivel Radius w/Wheel Brake (inch)
GHKULTPS42KR	GHKULTPTL42KR	GHKULTPR42KR	4	2	850	5-5/8	3-3/16	4	8-1/2
GHKULTPS52KR	GHKULTPTL52KR	GHKULTPR52KR	5	2	1100	6-1/2	3-7/8	4	9-1/2
GHKULTPS62KR	GHKULTPTL62KR	GHKULTPR62KR	6	2	1500	7-1/2	4-9/16	6	10
GHKULTPS82KR	GHKULTPTL82KR	GHKULTPR82KR	8	2	1750	9-1/2	6	6	11-1/2

SAS WHEELS

HIGH CAPACITY POLYURETHANE
TREAD WHEEL CAST IRON CORE

- Polyurethane firmly bonded to Precision Machined Cast Iron Core.
- 93+ 3 Shore A.
- Low rolling resistance, smooth and noiseless running.

- Non-marking and floor protective.
- High abrasion, cut and tear resistant.
- Precision Ball Bearings.
- Temperature Range: -40°F to +180°F.
- **Available in Anti-Static add "AS" after wheel.**



Part Number Swivel Caster	Part Number Swivel with Total Lock	Part Number Rigid Caster	Wheel Diameter (inch)	Tread Width (inch)	Load Capacity (lbs)	Overall Height (inch)	Swivel Radius (inch)	Swivel Radius w/Total Lock (inch)	Swivel Radius w/Wheel Brake (inch)
GHKULTPS42SAS	GHKULTPTL42SAS	GHKULTPR42SAS	4	2	900	5-5/8	3-3/16	4	8-1/2
GHKULTPS52SAS	GHKULTPTL52SAS	GHKULTPR52SAS	5	2	1200	6-1/2	3-7/8	4	9-1/2
GHKULTPS62SAS	GHKULTPTL62SAS	GHKULTPR62SAS	6	2	1650	7-1/2	4-9/16	6	10
GHKULTPS82SAS	GHKULTPTL82SAS	GHKULTPR82SAS	8	2	2000	9-1/2	6	6	11-1/2

ME WHEELS

ERGONOMIC POLYURETHANE
DONUT TREAD WHEEL CAST IRON CORE

- For Low Push-Pull Efforts.
- Polyurethane firmly bonded to Precision Machined Cast Iron Core.
- Red Tread 93+ 3 Shore A.
- Non-marking and floor protective.

- Tread Options:
Softer 80A - Yellow Tread (specify ME-Z)
Harder 73D - Blue Tread (specify ME-F).
- Precision Ball Bearings.
- Temperature Range: -40°F to +180°F.
- **Available in Anti-Static add "AS" after wheel.**



Part Number Swivel Caster	Part Number Swivel with Total Lock	Part Number Rigid Caster	Wheel Diameter (inch)	Tread Width (inch)	Load Capacity (lbs)	Overall Height (inch)	Swivel Radius (inch)	Swivel Radius w/Total Lock (inch)	Swivel Radius w/Wheel Brake (inch)
GHKULTPS42ME	GHKULTPTL42ME	GHKULTPR42ME	4	2	775	5-5/8	3-3/16	4	8-1/2
GHKULTPS52ME	GHKULTPTL52ME	GHKULTPR52ME	5	2	1000	6-1/2	3-7/8	4	9-1/2
GHKULTPS62ME	GHKULTPTL62ME	GHKULTPR62ME	6	2	1250	7-1/2	4-9/16	6	10
GHKULTPS82ME	GHKULTPTL82ME	GHKULTPR82ME	8	2	1700	9-1/2	6	6	11-1/2

SZS WHEELS

ELASTIC POLYURETHANE TREAD WHEELS

- Polyurethane firmly bonded to Precision Machined Cast Iron Core.
- 85 + 3 Shore A.
- Reduced noise due to cushioning of loads, Lively Polyurethane allows wheels to "Flex and Roll" over debris.

- Excellent for power towing applications.
- Non-marking and floor protective.
- Precision Ball Bearings.
- Temperature Range: -40°F to +180°F.
- **Available in Anti-Static add "AS" after wheel**



Part Number Swivel Caster	Part Number Swivel with Total Lock	Part Number Rigid Caster	Wheel Diameter (inch)	Tread Width (inch)	Load Capacity (lbs)	Overall Height (inch)	Swivel Radius (inch)	Swivel Radius w/Total Lock (inch)	Swivel Radius w/Wheel Brake (inch)
GHKULTPS42SZS	GHKULTPTL42SZS	GHKULTPR42SZS	4	2	550	5-5/8	3-3/16	4	8-1/2
GHKULTPS52SZS	GHKULTPTL52SZS	GHKULTPR52SZS	5	2	775	6-1/2	3-7/8	4	9-1/2
GHKULTPS62SZS	GHKULTPTL62SZS	GHKULTPR62SZS	6	2	1000	7-1/2	4-9/16	6	10
GHKULTPS62SZS	GHKULTPTL62SZS	GHKULTPR62SZS	8	2	1450	9-1/2	6	6	11-1/2

DF WHEELS

DROP FORGED STEEL WHEELS

- AISI 1045 steel with machined tread faces.
- Virtually indestructible and easy to maneuver.
- High abrasion and oil resistant.

- Can be used in the roughest of applications on the poorest of floors.
- Precision Ball Bearings.
- Temperature Range: -150°F to +800°F.



Part Number Swivel Caster	Part Number Swivel with Total Lock	Part Number Rigid Caster	Wheel Diameter (inch)	Tread Width (inch)	Load Capacity (lbs)	Overall Height (inch)	Swivel Radius (inch)	Swivel Radius w/Total Lock (inch)	Swivel Radius w/Wheel Brake (inch)
GHKULTPS42DF	GHKULTPTL42DF	GHKULTPR42DF	4	2	1800	5-5/8	3-3/16	4	8-1/2
GHKULTPS52DF	GHKULTPTL52DF	GHKULTPR52DF	5	2	2000	6-1/2	3-7/8	4	9-1/2
GHKULTPS62DF	GHKULTPTL62DF	GHKULTPR62DF	6	2	2000	7-1/2	4-9/16	6	10
GHKULTPS82DF	GHKULTPTL82DF	GHKULTPR82DF	8	2	2000	9-1/2	6	6	11-1/2

SJS WHEELS

POLYURETHANE TREAD WHEELS CAST IRON CORE

- Polyurethane tread wheels firmly bonded to Precision Machined Cast Iron Core.
- 93 + 3 Shore A.
- Low rolling resistance; Smooth and noiseless running.
- Non-marking and floor protective.

- Good abrasion and cut resistance.
- Ideal for medium duty applications.
- Precision Ball Bearings.
- Temperature Range: -40°F to +180°F.
- **Available in Anti-Static add "AS" after wheel.**



Part Number Swivel Caster	Part Number Swivel with Total Lock	Part Number Rigid Caster	Wheel Diameter (inch)	Tread Width (inch)	Load Capacity (lbs)	Overall Height (inch)	Swivel Radius (inch)	Swivel Radius w/Total Lock (inch)	Swivel Radius w/Wheel Brake (inch)
GHKULTPS42SJS	GHKULTPTL42SJS	GHKULTPR42SJS	4	2	700	5-5/8	3-3/16	4	8-1/2
GHKULTPS52SJS	GHKULTPTL52SJS	GHKULTPR52SJS	5	2	1000	6-1/2	3-7/8	4	9-1/2
GHKULTPS62SJS	GHKULTPTL62SJS	GHKULTPR62SJS	6	2	1200	7-1/2	4-9/16	6	10
GHKULTPS82SJS	GHKULTPTL82SJS	GHKULTPR82SJS	8	2	1500	9-1/2	6	6	11-1/2

MDW WHEELS

DUCTILE CAST STEEL WHEELS

- Machined tread face.
- Crown tread face makes maneuverability easy.
- Higher load capacities compared to Cast Iron wheels.

- Suitable for extra heavy loads towed in punishing conditions.
- High abrasion and oil resistance.
- Precision Ball Bearings.
- Temperature Range: 800°F.



Part Number Swivel Caster	Part Number Swivel with Total Lock	Part Number Rigid Caster	Wheel Diameter (inch)	Tread Width (inch)	Load Capacity (lbs)	Overall Height (inch)	Swivel Radius (inch)	Swivel Radius w/Total Lock (inch)	Swivel Radius w/Wheel Brake (inch)
GHKULTPS42MDW	GHKULTPTL42MDW	GHKULTPR42MDW	4	2	1500	5-5/8	3-3/16	4	8-1/2
GHKULTPS52MDW	GHKULTPTL52MDW	GHKULTPR52MDW	5	2	1550	6-1/2	3-7/8	4	9-1/2
GHKULTPS62MDW	GHKULTPTL62MDW	GHKULTPR62MDW	6	2	2000	7-1/2	4-9/16	6	10
GHKULTPS82MDW	GHKULTPTL82MDW	GHKULTPR82MDW	8	2	2000	9-1/2	6	6	11-1/2



3,500 LBS. LOAD CAPACITY KINGPINLESS TYPE CASTERS

- **Raceway Design:** Patented Kingpinless single ball bearing precision machined raceway hardened to 53 Rockwell C minimum. Swivel section features a 3" diameter raceway with 1/2" ball bearings. The notched yoke is standard.
- **Finish:** Bright Zinc Plated.
- **Yoke Base:** Notched 316 stainless steel.
- **Legs:** 5/16" formed steel. Center leg support is added for increased strength.
- **Wheels:** All wheels are 2" wide with 3/4" I.D. roller bearings that are prelubricated and rotate on individual spanner bushings or annular ball bearings for ease of rollability.
- **Axle:** 1/2" bolt, locking nut and lubrication fittings.
- Alternate or custom caster configurations available.

MOUNTING PLATE OPTIONS

TOP PLATE: (STANDARD)

Plate Size: 4-1/2" x 6-1/4"

Bolt Holes: 2-7/16" x 4-15/16"
slotted to
3-3/8" x 5-1/4"

Bolt Size: 1/2"

BRAKE OPTIONS

CWB Cam Wheel Brake

SWIVEL RIG OPTIONS

HT High Temperature Lubrication

LT Low Temperature Lubrication

DSL Demountable Swivel Lock

SL Swivel Lock

SR Sealed Swivel Raceway

TG Thread Guard

To order a rigid caster, change the "S" to "R" in the model number. Dimensions shown are nominal. If precise dimensions are required, consult Acorn™. For approximate weight of our rigid casters, deduct 3.9 pounds.

BEARING OPTIONS

Straight Roller **(01)**

Tapered Roller **(09)**

Precision Ball **(28)**

Wheel Type (Wheel Code)	Diameter (inch)	Width (inch)	Capacity (lbs.)	OAH (inch)	Swivel Lead (inch)	Approx. Wt. (lbs.)	Swivel Part Number Add B, P, PL, R or T*
CAST IRON (CA) WHEELS WITH ROLLER BEARINGS							
	5	2	2000	7-1/2	1-7/16	17	GHKUDWCAR52S*
	6	2	2400	8	1-7/16	18-1/2	GHKUDWCAR62S*
	8	2	2800	10-1/8	2-1/16	23	GHKUDWCAR82S*
NYLACRON™ MD (NY/MD) WHEELS WITH PRECISION BALL BEARINGS							
	5	2	2100	7-1/2	1-7/16	11-1/2	GHKUDWNYMDP52S*
	6	2	2200	8	1-7/16	12-1/2	GHKUDWNYMDP62S*
	8	2	2400	10-1/8	2-1/16	15	GHKUDWNYMDP82S*
PHENOLIC / TEXITE (TM) WHEELS WITH ROLLER BEARINGS							
	5	2	2000	7-1/2	1-7/16	11-1/2	GHKUDWTMR52S*
	6	2	2400	8	1-7/16	12-1/2	GHKUDWTMR62S*
	8	2	2800	10-1/8	2-1/16	15	GHKUDWTMR82S*
SWIVEL-EAZ™ (DUAL-IN-ONE) 95A / FLAT TREAD (SWE/9/FT) WHEELS WITH PRECISION BEARINGS (ALSO AVAILABLE IN CROWN TREAD)							
	5	2	1400	7-1/2	1-7/16	12-1/2	GHKUDWSWE9FTP52S*
	6	2	1900	8	1-7/16	13-1/2	GHKUDWSWE9FTP62S*
	8	2	3000	10-1/8	2-1/16	16	GHKUDWSWE9FTP82S*
SWIVEL-EAZ™ (DUAL-IN-ONE) 80A / FLAT TREAD (SWE/8/FT) WHEELS WITH PRECISION BEARINGS (ALSO AVAILABLE CROWN TREAD)							
	5	2	1050	7-1/2	1-7/16	12-1/2	GHKUDWSWE8FTP52S*
	6	2	1400	8	1-7/16	13-1/2	GHKUDWSWE8FTP62S*
	8	2	2300	10-1/8	2-1/16	16	GHKUDWSWE8FTP82S*
SWIVEL-EAZ™ (DUAL-IN-ONE) 60D / FLAT TREAD (SWE/6/FT) WHEELS WITH PRECISION BEARINGS (ALSO AVAILABLE IN CROWN TREAD)							
	5	2	1550	7-1/2	1-7/16	12-1/2	GHKUDWSWE6FTP52S*
	6	2	2200	8	1-7/16	13-1/2	GHKUDWSWE6FTP62S*
	8	2	3500	10-1/8	2-1/16	16	GHKUDWSWE6FTP82S*
URETHANE / DONUT TREAD / CAST IRON CORE (ME) WHEELS WITH PRECISION ALL BEARINGS							
	5	2	2000	7-1/2	1-7/16	15-1/2	GHKUDWME52S*
	6	2	2500	8	1-7/16	16-1/2	GHKUDWME62S*
	8	2	3400	10-1/8	2-1/16	17-1/2	GHKUDWME823S*
URETHANE / CAST IRON CORE (SJS) WHEELS WITH PRECISION BALL BEARINGS							
	5	2	2100	7-1/2	1-7/16	16-1/2	GHKUDWSJS52S*
	6	2	2460	8	1-7/16	17-1/2	GHKUDWSJS62S*
	8	2	3000	10-1/8	2-1/16	18-1/2	GHKUDWSJS82S*
URETHANE / THICK TREAD / CAST IRON CORE (SCS/SAS) WHEELS WITH PRECISION BALL BEARINGS							
	5	2	1500	7-1/2	1-7/16	16-1/2	GHKUDWSCS/SAS52S*
	6	2	2000	8	1-7/16	17-1/2	GHKUDWSCS/SAS62S*
	8	2	2900	10-1/8	2-1/16	18-1/2	GHKUDWSCS/SAS82S*

*Precision Ball Bearing Wheels are Standard, "P" for Precision Bearing, "PL" for Plain Bearing, "R" for Roller Bearing or "T" for Tapered Bearing
Dimensions shown are nominal. If precise dimensions are required, consult Acorn™. Additional wheels available.

**MEGALOAD™ AND VULKOLLAN™ WHEELS WITH PRECISION BALL BEARINGS AVAILABLE TO FIT THIS CASTER SERIES.
SIZES 5 X 2, 6 X 2, & 8 X 2.**

Caster Type**Page**

GRDU Total Lock Kingpinless Series Casters.....	2-4
GRDU Kingpinless Stainless Steel Casters.....	5-6
310 Kingpinless Casters.....	7-10
S310 Spring Loaded Casters.....	11-12

**ALL WHEELS ARE AVAILABLE WITH
PRECISION BALL BEARING, CENTERPIECE & END CAPS
FOR MANUAL OR TOWING TO FIT IN 3-1/2" HUB LENGTH RIGS.
See Wheel Section for complete selection.**



**LEADING SIDE
TOTAL LOCK SWIVEL CASTER**
Add TL to swivel caster number

Available Toe Guard
TO

**NEW TRAILING SIDE
TOTAL LOCK SWIVEL CASTER**
No need to move cots back and forth
for finding the brake pedal.
Add TLN to swivel caster number



Swivel Head Section



Total Lock System



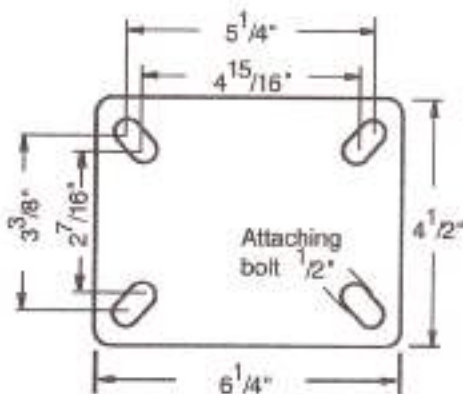
Wheel Face Brake



Directional Lock

4,000 LBS. LOAD CAPACITY FORGED KINGPINLESS TYPE CASTERS

- Single piece Drop Forged AISI 1045 Steel Top Plate and Fork Base.
- Precision CNC Machined Raceways with 3" diameter with 1/2" ball bearings.
- Induction Hardening of Raceways ensures uniform depth of hardness.
- Totally Sealed Swivel Head with Grease Nipple.
- 5/16" Thick Fork Legs Robotically welded Inside & Outside to 3 1/2" fork spacing.
- 3/4" Wheel axle.
- 4 Position Directional Lock Slots.
- Finish: Bright Zinc Plated.



TOP PLATE
4-1/2 X 6-1/4

BOLT HOLE CENTER
3-3/8 X 5-1/4
SLOTTED TO
2-7/16 X 4-15/16

ATTACHING BOLT SIZE
1/2

RIG OPTIONS
DL: 4-WAY DIRECTIONAL LOCK

WFB: WHEEL FACE BRAKE
ADD TO SUFFIX
OF THE CASTER PART NUMBER

TOE GUARDS
SPECIFY "TO"
WITH CASTER NUMBER

NY/MD WHEELS

NYLACRON™ WHEELS

- Precision Machined from Cast Polyamide Hardness 112-120 Rockwell R.
- Ultimate choice for Extremely High Load applications to replace metallic wheels.
- Offer very high abrasion resistance and very low rolling resistance under extreme loads.

- Resistant to salt, grease, alcohol and mild acids - can be used in corrosive applications with appropriate bearings.
- Precision Ball Bearings.
- Temperature Range: -40°F to +270°F.



Part Number Swivel Caster	Part Number Swivel with Total Lock	Part Number Rigid Caster	Wheel Diameter (inch)	Tread Width (inch)	Load Capacity (lbs)	Overall Height (inch)	Swivel Radius (inch)	Swivel Radius w/Total Lock (inch)	Swivel Radius w/Wheel Brake (inch)
GRDUS63NYMD	GRDUTL63NYMD	GRDUR63NYMD	6	3	4000	7-1/2	5-1/2	6	10-1/2
GRDUS83NYMD	GRDUTL83NYMD	GRDUR83NYMD	8	3	4000	10-1/8	6-1/2	6-1/2	11-1/2
GRDUS103NYMD	GRDUTL103NYMD	GRDUR103NYMD	10	3	4000	11-1/2	7-3/4	7-3/4	12-3/4
GRDUS123NYMD	GRDUTL123NYMD	GRDUR123NYMD	12	3	4000	13-1/2	9-1/4	9-1/4	14-1/4

NY/MC WHEELS

NYLACRON™ WHITE WHEELS

- Precision Machined from Cast Polyamide Hardness 112-120 Rockwell R.
- Ultimate choice for Extremely High Load applications to replace metallic wheels.
- Offer very high abrasion resistance and very low rolling resistance under extreme loads.

- Resistant to salt, grease, alcohol and mild acids - can be used in corrosive applications with appropriate bearings.
- Precision Ball Bearings.
- Temperature Range: -40°F to +270°F.



Part Number Swivel Caster	Part Number Swivel with Total Lock	Part Number Rigid Caster	Wheel Diameter (inch)	Tread Width (inch)	Load Capacity (lbs)	Overall Height (inch)	Swivel Radius (inch)	Swivel Radius w/Total Lock (inch)	Swivel Radius w/Wheel Brake (inch)
GRDUS63NYMC	GRDUTL63NYMC	GRDUR63NYMC	6	3	4000	7-1/2	5-1/2	6	10-1/2
GRDUS83NYMC	GRDUTL83NYMC	GRDUR83NYMC	8	3	4000	10-1/8	6-1/2	6-1/2	11-1/2
GRDUS103NYMC	GRDUTL103NYMC	GRDUR103NYMC	10	3	4000	11-1/2	7-3/4	7-3/4	12-3/4
GRDUS123NYMC	GRDUTL123NYMC	GRDUR123NYMC	12	3	4000	13-1/2	9-1/4	9-1/4	14-1/4

SZS WHEELS

ELASTIC POLYURETHANE TREAD WHEELS CAST IRON CORE

- Polyurethane firmly bonded to Precision Machined Cast Iron Core
- 85+ 3 Shore A
- Excellent for power towing applications

- Reduced noise due to cushioning of loads, Lively Polyurethane allows wheels to “Flex and Roll” over debris
- Non-marking and floor protective
- Precision Ball Bearings
- Temperature Range: -40°F to +180°F
- Available in Anti-Static add “AS” after wheel



Part Number Swivel Caster	Part Number Swivel with Total Lock	Part Number Rigid Caster	Wheel Diameter (inch)	Tread Width (inch)	Load Capacity (lbs)	Overall Height (inch)	Swivel Radius (inch)	Swivel Radius w/Total Lock (inch)	Swivel Radius w/Wheel Brake (inch)
GRDU62SSZS	GRDU62SSZSTL	GRDU62RSZS	6	3	1750	8	5-1/8	6	10-1/8
GRDU82SSZS	GRDU82SSZSTL	GRDU82RSZS	8	3	2400	10-1/2	6-1/4	6-1/4	11-1/4
GRDU102SSZS	GRDU102SSZSTL	GRDU102RSZS	10	3	3100	12-1/2	7-3/4	7-3/4	12-3/4
GRDU122SSZS	GRDU122SSZSTL	GRDU122RSZS	12	3	3500	15-1/2	8-3-8	8-3-8	13-3/8

SAS WHEELS

HIGH CAPACITY POLYURETHANE
TREAD WHEELS CAST IRON CORE

- Polyurethane firmly bonded to Precision Machined Cast Iron Core
- 93+ 3 Shore A
- Low rolling resistance, smooth and noiseless running

- Non-marking and floor protective
- High abrasion, cut and tear resistant
- Precision Ball Bearings
- Temperature Range: -40°F to +180°F
- Available in Anti-Static add "AS" after wheel



Part Number Swivel Caster	Part Number Swivel with Total Lock	Part Number Rigid Caster	Wheel Diameter (inch)	Tread Width (inch)	Load Capacity (lbs)	Overall Height (inch)	Swivel Radius (inch)	Swivel Radius w/Total Lock (inch)	Swivel Radius w/Wheel Brake (inch)
GRDU62SSAS	GRDU62SSASTL	GRDU62RSAS	6	3	1750	8	5-1/8	6	10-1/8
GRDU82SSAS	GRDU82SSASTL	GRDU82RSAS	8	3	2400	10-1/2	6-1/4	6-1/4	11-1/4
GRDU102SSAS	GRDU102SSASTL	GRDU102RSAS	10	3	3100	12-1/2	7-3/4	7-3/4	12-3/4
GRDU122SSAS	GRDU122SSASTL	GRDU122RSAS	12	3	3500	15-1/2	8-3-8	8-3-8	13-3/8

SJS WHEELS

POLYURETHANE WHEELS

- Polyurethane tread wheels firmly bonded to Precision Machined Cast Iron Core.
- 93 + 3 Shore A.
- Low rolling resistance; Smooth and noiseless running.
- Non-marking and floor protective.

- Good Abrasion and cut resistance.
- Ideal for medium duty applications.
- Precision Ball Bearings.
- Temperature Range: -40°F to +180°F.
- Available in Anti-Static add "AS" after wheel.



Part Number Swivel Caster	Part Number Swivel with Total Lock	Part Number Rigid Caster	Wheel Diameter (inch)	Tread Width (inch)	Load Capacity (lbs)	Overall Height (inch)	Swivel Radius (inch)	Swivel Radius w/Total Lock (inch)	Swivel Radius w/Wheel Brake (inch)
GRDU62SSJS	GRDU62SSJSTL	GRDU62RSJS	6	3	1750	8	5-1/8	6	10-1/8
GRDU82SSJS	GRDU82SSJSTL	GRDU82RSJS	8	3	2400	10-1/2	6-1/4	6-1/4	11-1/4
GRDU102SSJS	GRDU102SSJSTL	GRDU102RSJS	10	3	3100	12-1/2	7-3/4	7-3/4	12-3/4
GRDU122SSJS	GRDU122SSJSTL	GRDU122RSJS	12	3	3500	15-1/2	8-3-8	8-3-8	13-3/8

ME WHEELS

ERGONOMIC POLYURETHANE
DONUT TREAD WHEELS CAST IRON CORE

- For Low Push-Pull Efforts.
- Polyurethane firmly bonded to Precision Machined Cast Iron Core.
- Red Tread 93+ 3 Shore A.
- Non-marking and floor protective.

- Tread Options:
Softer 80A - Yellow Tread (specify ME-Z)
Harder 73D - Blue Tread (specify ME-F).
- Precision Ball Bearings.
- Temperature Range: -40°F to +180°F.
- Available in Anti-Static add "AS" after wheel.



Part Number Swivel Caster	Part Number Swivel with Total Lock	Part Number Rigid Caster	Wheel Diameter (inch)	Tread Width (inch)	Load Capacity (lbs)	Overall Height (inch)	Swivel Radius (inch)	Swivel Radius w/Total Lock (inch)	Swivel Radius w/Wheel Brake (inch)
GRDU62SME	GRDU62SMETL	GRDU62RME	6	3	1750	8	5-1/8	6	10-1/8
GRDU82SME	GRDU82SMETL	GRDU82RMES	8	3	2400	10-1/2	6-1/4	6-1/4	11-1/4
GRDU102SME	GRDU102SMETL	GRDU102RME	10	3	3100	12-1/2	7-3/4	7-3/4	12-3/4
GRDU122SME	GRDU122SMETL	GRDU122RME	12	3	3500	15-1/2	8-3-8	8-3-8	13-3/8



3,000 LBS. LOAD CAPACITY STAINLESS STEEL KINGPINLESS TYPE CASTERS

- **Top Plate:** 5/16" 304 stainless steel welded inside and out to 316 stainless steel raceway for longer life.
- **Swivel Section:** One row of 1/2" ball bearings mounted in a precision machined raceway. Zerk in swivel section.
- **Yoke Base:** Notched 316 stainless steel.
- **Legs:** 304 stainless steel welded inside and outs.
- **Axle:** 3/4" diameter.
- Alternate or custom caster configurations available.

BRAKES OPTIONS



Poly Cam
specify P



Single Sided specify **SSB310**
Double Sided specify **DSB310**



Face Contact
specify **FBB**



Hand Operated Swivel Lock
specify **SL3000000**



TOE GUARDS AVAILABLE WITH ALL CASTERS.

Designed from premium grade 304 stainless steel caster rig with a strong premium 316 stainless swivel section. Excellent finish to protect caster from cleaning agents, steam, caustic solutions, or other corrosive agents which can cause rust.

TYPICAL APPLICATIONS

- Conveyor-drawn tow-trucks
- Heavy duty bakery racks
- Production dollies
- Heavy duty dough troughs

MOUNTING PLATE OPTIONS

TOP PLATE: (STANDARD)

Plate Size: 4-1/2 X 6-1/4
Bolt Holes: 2-7/16 x 4-15/16
slotted to
3-3/8 x 5-1/4
Bolt Size: 1/2

TOP PLATE: D

Plate Size: 5 x 5-1/2
Bolt Holes: 4-1/8 x 4-1/2
Bolt Size: 3/8

BEARING OPTIONS

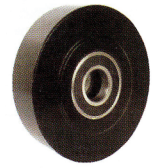
Straight Roller **(01)**
Precision Ball **(28)**

*Add options to end of part number.

**NYLACRON™
CAST NYLON
28 PRECISION BEARING
NY/MD**

FOR MONOCAST
MC/MD

Part Number Swivel Caster	Part Number Rigid Caster	Wheel Diameter (inch)	Tread Width (inch)	Load Capacity (lbs)	Overall Height (inch)	Swivel Lead (inch)
GRDUSS63NYMD	GRDUSR63NYMD	6	3	3000	7-1/2	1-3/8
GRDUSS83NYMD	GRDUSR83NYMD	8	3	3000	10-1/8	2-1/16
GRDUSS103NYMD	GRDUSR103NYMD	10	3	3000	11-1/2	2-1/4
GRDUSS123NYMD	GRDUSR123NYMD	12	3	3000	13-1/2	2-11/16



**X-TREME
PLUS SOLID POLYURETHANE
28 PRECISION BEARING
XP**

• Prevenz™ antimicrobial models available

• Add PREV to end of caster number

Part Number Swivel Caster	Part Number Rigid Caster	Wheel Diameter (inch)	Tread Width (inch)	Load Capacity (lbs)	Overall Height (inch)	Swivel Lead (inch)
GRDUSS83XP	GRDUSSR83XP	8	3	2000	10-1/8	2-1/16
GRDUSS103XP	GRDUSSR103XP	10	3	2500	11-1/2	2-1/4



**PHENOLIC
01 ROLLER BEARING
TM**

• Prevenz™ antimicrobial models available

• Add PREV to end of caster number

• Tapered Roller 09 Bearings available

• Change "01" to "09"
Example: 6KSSS63TM09

Part Number Swivel Caster	Part Number Rigid Caster	Wheel Diameter (inch)	Tread Width (inch)	Load Capacity (lbs)	Overall Height (inch)	Swivel Lead (inch)
GRDUSS63TM	GRDUSSR63TM	6	3	2000	7-1/2	1-3/8
GRDUSS83TM	GRDUSSR83TM	8	3	2500	10-1/8	2-1/16
GRDUSS103TM	GRDUSSR103TM	10	3	2900	11-1/2	2-1/4
GRDUSS123TM	GRDUSSR123TM	12	3	3000	13-1/2	2-11/16



MEGALOAD™ AND VULKOLLAN™ WHEELS WITH PRECISION BALL BEARINGS AVAILABLE TO FIT THIS CASTER SERIES.

SIZES 6 X 3, 8 X 3, 10 X 3 & 12 X 3.

6 310 KINGPINLESS CASTERS

4,100 LBS. LOAD CAPACITY KINGPINLESS TYPE CASTERS



- **Top Plate:** 5/16" AISI 1045 heat treated steel welded inside and out for longer life.
- **Swivel Section:** One row of 1/2" ball bearings mounted in a heat treated precision machined raceway. Zerk in swivel section.
- **Yoke Base:** Notched AISI 1045 steel.
- **Legs:** 3/8" thick welded inside and out.
- **Axle:** 3/4" diameter.
- **Finish:** RoHS Zinc plating, for greater corrosion resistance than paint.



**TOE GUARDS
AVAILABLE WITH
ALL CASTERS.**

MOUNTING PLATE OPTIONS

TOP PLATE: (STANDARD)

- Plate Size:** 4-1/2" x 6-1/4"
- Bolt Holes:** 2-7/16" x 4-15/16"
slotted to
3-3/8" x 5-1/4"
- Bolt Size:** 1/2"

Nylacron™ Wheels

With Precision Ball Bearings for Any Application

Nylacron™ wheels with proper sized precision bearings are made to fit in any rig hub length and axle size. Nylacron™ wheels have greater load capacity ratings with better rollability while requiring less maintenance and have a longer life.

**SEE NYLACRON™ WHEEL SECTION
FOR CUSTOM SIZES & SHAPES.**

BRAKES OPTIONS



Poly Cam
specify P



PLB Integrated
specify PLB



Single Sided specify **SSB310**
Double Sided specify **DSB310**



Face Contact
specify **FBB**



**Hand Operated
Swivel Lock**
specify **SL3000000**

TYPICAL APPLICATIONS

- Conveyor-drawn tow-trucks
- Heavy duty bakery racks
- Production dollies
- Heavy duty dough troughs

WHEEL BEARING OPTIONS

Straight Roller **(01)**

Tapered Roller **(09)**

Precision Ball **(28)**

NY/MD WHEELS

NYLACRON™ WHEELS

- Precision Machined from Cast Polyamide Hardness 112-120 Rockwell R.
- Ultimate choice for Extremely High Load applications to replace metallic wheels.
- Offer very high abrasion resistance and very low rolling resistance under extreme loads.

- Resistant to salt, grease, alcohol and mild acids - can be used in corrosive applications with appropriate bearings.
- Precision Ball Bearings.
- Temperature Range: -40°F to +270°F.



Part Number Swivel Caster	Part Number Rigid Caster	Wheel Diameter (inch)	Tread Width (inch)	Load Capacity (lbs)	Overall Height (inch)	Swivel Radius (inch)	Swivel Radius w/Total Lock (inch)	Swivel Radius w/Wheel Brake (inch)
310S63NYMD	310R63NYMD	6	3	4100	7-1/2	5-1/2	6	10-1/2
310S83NYMD	310R83NYMD	8	3	4100	10-1/8	6-1/2	6-1/2	11-1/2
310S103NYMD	310R103NYMD	10	3	4100	11-1/2	7-3/4	7-3/4	12-3/4
310S123NYMD	310R123NYMD	12	3	4100	13-1/2	9-1/4"	9-1/4	14-1/4

NY/MC WHEELS

NYLACRON™ WHITE WHEELS

- Precision Machined from Cast Polyamide Hardness 112-120 Rockwell R.
- Ultimate choice for Extremely High Load applications to replace metallic wheels.
- Offer very high abrasion resistance and very low rolling resistance under extreme loads.

- Resistant to salt, grease, alcohol and mild acids - can be used in corrosive applications with appropriate bearings.
- Precision Ball Bearings.
- Temperature Range: -40°F to +270°F.



Part Number Swivel Caster	Part Number Rigid Caster	Wheel Diameter (inch)	Tread Width (inch)	Load Capacity (lbs)	Overall Height (inch)	Swivel Radius (inch)	Swivel Radius w/Total Lock (inch)	Swivel Radius w/Wheel Brake (inch)
310S63NYMC	310R63NYMC	6	3	4100	7-1/2	5-1/2	6	10-1/2
310S83NYMC	310R83NYMC	8	3	4100	10-1/8	6-1/2	6-1/2	11-1/2
310S103NYMC	310R103NYMC	10	3	4100	11-1/2	7-3/4	7-3/4	12-3/4
310S123NYMC	310R123NYMC	12	3	4100	13-1/2	9-1/4	9-1/4	14-1/4

DF WHEELS

DROP FORGED STEEL WHEELS

- AISI 1045 steel with machined tread faces.
- Virtually indestructible and easy to maneuver.
- High abrasion and oil resistant.

- Can be use in the roughest of applications on the poorest of floors.
- Precision Ball Bearings.
- Temperature Range: -150°F to +800°F.



Part Number Swivel Caster	Part Number Rigid Caster	Wheel Diameter (inch)	Tread Width (inch)	Load Capacity (lbs)	Overall Height (inch)	Swivel Radius (inch)	Swivel Radius w/Total Lock (inch)	Swivel Radius w/Wheel Brake (inch)
310S63DF	310R63DF	6	3	4000	7-1/2	5-1/2	6	10-1/2
310S83DF	310R83DF	8	3	4000	10-1/8	6-1/2	6-1/2	11-1/2
310S103DF	310R103DF	10	3	4000	11-1/2	7-3/4	7-3/4	12-3/4
310S123DF	310R123DF	12	3	4000	13-1/2	9-1/4"	9-1/4	14-1/4

6 310 KINGPINLESS CASTERS

SJS WHEELS

POLYURETHANE WHEELS

- Polyurethane tread wheels firmly bonded to Precision Machined Cast Iron Core.
- 93 + 3 Shore A.
- Low rolling resistance; Smooth and noiseless running.
- Non-marking and floor protective.

- Good Abrasion and cut resistance.
- Ideal for medium duty applications.
- Precision Ball Bearings.
- Temperature Range: -40°F to +180°F.
- Available in Anti-Static add "AS" after wheel.



Part Number Swivel Caster	Part Number Rigid Caster	Wheel Diameter (inch)	Tread Width (inch)	Load Capacity (lbs)	Overall Height (inch)	Swivel Radius (inch)	Swivel Radius w/Total Lock (inch)	Swivel Radius w/Wheel Brake (inch)
310S63SJS	310R63SJS	6	3	2100	7-1/2	5-1/2	6	10-1/2
310S83SJS	310R83SJS	8	3	2500	10-1/8	6-1/2	6-1/2	11-1/2
310S103SJS	310R103SJS	10	3	3000	11-1/2	7-3/4	7-3/4	12-3/4
310S123SJS	310R123SJS	12	3	3500	13-1/2	9-1/4	9-1/4	14-1/4

MDW WHEELS

DUCTILE CAST STEEL WHEELS

- Machined tread face.
- Crown tread Face makes maneuverability easy.
- Higher Load Capacities compared to Cast Iron Wheels.

- Suitable for extra heavy loads towed in punishing conditions.
- High abrasion and oil resistance.
- Precision Ball Bearings.
- Temperature Range: 800°F.



Part Number Swivel Caster	Part Number Rigid Caster	Wheel Diameter (inch)	Tread Width (inch)	Load Capacity (lbs)	Overall Height (inch)	Swivel Radius (inch)	Swivel Radius w/Total Lock (inch)	Swivel Radius w/Wheel Brake (inch)
310S63MDW	310R63MDW	6	3	3300	7-1/2	5-1/2	6	10-1/2
310S83MDW	310R83MDW	8	3	4000	10-1/8	6-1/2	6-1/2	11-1/2
310S103MDW	310R103MDW	10	3	4000	11-1/2	7-3/4	7-3/4	12-3/4
310S123MDW	310R123MDW	12	3	4000	13-1/2	9-1/4"	9-1/4	14-1/4

ME WHEELS

ERGONOMIC POLYURETHANE DONUT TREAD WHEELS CAST IRON CORE

- For Low Push-Pull Efforts.
- Polyurethane firmly bonded to Precision Machined Cast Iron Core.
- Red Tread 93+ 3 Shore A.
- Non-marking and floor protective.

- Tread Options:
Softer 80A - Yellow Tread (specify ME-Z)
Harder 73D - Blue Tread (specify ME-F).
- Precision Ball Bearings.
- Temperature Range: -40°F to +180°F.
- Available in Anti-Static add "AS" after wheel.



Part Number Swivel Caster	Part Number Rigid Caster	Wheel Diameter (inch)	Tread Width (inch)	Load Capacity (lbs)	Overall Height (inch)	Swivel Radius (inch)	Swivel Radius w/Total Lock (inch)	Swivel Radius w/Wheel Brake (inch)
310S63ME	310R63ME	6	3	2300	7-1/2	5-1/2	6	10-1/2
310S83ME	310R83ME	8	3	3100	10-1/8	6-1/2	6-1/2	11-1/2
310S103ME	310R103ME	10	3	4000	11-1/2	7-3/4	7-3/4	12-3/4
310S123ME	310R123ME	12	3	4000	13-1/2	9-1/4	9-1/4	14-1/4

6 310 KINGPINLESS CASTERS

DROP FORGED STEEL WHEELS 09 PRECISION TAPERED BEARING

FS

Part Number Swivel Caster	Part Number Rigid Caster	Wheel Diameter (inch)	Tread Width (inch)	Load Capacity (lbs)	Overall Height (inch)	Swivel Lead (inch)
310S63FS	310R63FS	6	3	4000	7-1/2	1-3/8
310S83FS	310R83FS	8	3	4100	10-1/8	2-1/16
310S103FS	310R103FS	10	3	4100	11-1/2	2-1/4



SWIVEL-EAZ™ ROUND TREAD 95A 28 PRECISION BALL BEARING

SWE95 ADD SUFFIX FT FOR FLAT TREAD

Part Number Swivel Caster	Part Number Rigid Caster	Wheel Diameter (inch)	Tread Width (inch)	Load Capacity (lbs)	Overall Height (inch)	Swivel Lead (inch)
310S63SWE95	310R63SWE95	6	3	1100	7-1/2	1-3/8
310S83SWE95	310R83SWE95	8	3	2400	10-1/8	2-1/16
310S103SWE95	310R103SWE95	10	3	3800	11-1/2	2-1/4



POLYURETHANE ON CAST IRON 28 PRECISION BALL BEARING

PF

Part Number Swivel Caster	Part Number Rigid Caster	Wheel Diameter (inch)	Tread Width (inch)	Load Capacity (lbs)	Overall Height (inch)	Swivel Lead (inch)
310S63PF	310R63PF	6	3	3000	7-1/2	1-3/8
310S83PF	310R83PF	8	3	4000	10-1/8	2-1/16
310S103PF	310R103PF	10	3	4100	11-1/2	2-1/4
310S123PF	310R123PF	12	3	4100	13-1/2	2-11/16



POLYURETHANE ON CAST IRON 28 PRECISION BALL BEARING

PY95A

Part Number Swivel Caster	Part Number Rigid Caster	Wheel Diameter (inch)	Tread Width (inch)	Load Capacity (lbs)	Overall Height (inch)	Swivel Lead (inch)
310S63PY	310R63PY	6	3	2040	7-1/2	1-3/8
310S83PY	310R83PY	8	3	2520	10-1/8	2-1/16
310S103PY	310R103PY	10	3	3000	11-1/2	2-1/4
310S123PY	310R123PY	12	3	3420	13-1/2	2-11/16



MEGALOAD™ AND VULKOLLAN™ WHEELS WITH PRECISION BALL BEARINGS AVAILABLE TO FIT THIS CASTER SERIES.
SIZES 6 X 3, 8 X 3, 10 X 3 & 12 X 3.



3,000 LBS. LOAD CAPACITY KINGPINLESS TYPE CASTERS

- **Load Springs:** Different load springs for each series permits wide variation in ride "softness".
- **Complete Line:** Available on all Kingpinless models.
- **Swivel Section:** Kingpinless design. Ball bearing mounted in a machined raceway.
- **Axle:** 3/4" diameter standard. Optional 1" diameter available.
- Alternate or custom caster configurations available.

MOUNTING PLATE OPTIONS

TOP PLATE: (STANDARD)

Plate Size: 4-1/2" x 6-1/4"

Bolt Holes: 2-7/16" x 4-15/16"
slotted to
3-3/8" x 5-1/4"

Bolt Size: 1/2"

Our newly designed spring loaded casters offer greater capacity and protection from damaging shock or unwanted vibration and movement. Noise levels are reduced through the dampening effect of these casters.

We offer many custom spring loaded solutions for the automotive and aviation industry.

TYPICAL APPLICATIONS

- Aviation ground support
- Aircraft tripod jacks
- Portable medical equipment
- Computer equipment
- Shock sensitive loads

NYLACRON™ WHEELS
PRECISION BALL BEARINGS
NY/MD

Part Number Swivel Caster	Part Number Rigid Caster	Wheel Diameter (inch)	Tread Width (inch)	Load Capacity (lbs)	Overall Height (inch)	Swivel Lead (inch)
S310S63NYMD	S310R63NYMD	6	3	3000	7-1/2	1-3/8
S310S83NYMD	S310R83NYMD	8	3	3000	10-1/8	2-1/16
S310S103NYMD	S310R103NYMD	10	3	3000	11-1/2	2-1/4
S310S123NYMD	S310R123NYMD	12	3	3000	13-1/2	2-11/16



POLYURETHANE TREAD ON CAST IRON
PRECISION BALL BEARINGS
PF

Part Number Swivel Caster	Part Number Rigid Caster	Wheel Diameter (inch)	Tread Width (inch)	Load Capacity (lbs)	Overall Height (inch)	Swivel Lead (inch)
S310S63PF	S310R63PF	6	3	3000	7-1/2	1-3/8
S310S83PF	S310R83PF	8	3	3000	10-1/8	2-1/16
S310S103PF	S310R103PF	10	3	3000	11-1/2	2-1/4
S310S123PF	S310R123PF	12	3	3000	13-1/2	2-11/16



SWIVEL-EAZ™ 95A CROWN TREAD
PRECISION BALL BEARINGS
SWE/CT

FOR FLAT TREAD
 SUFFIX FT

Part Number Swivel Caster	Part Number Rigid Caster	Wheel Diameter (inch)	Tread Width (inch)	Load Capacity (lbs)	Overall Height (inch)	Swivel Lead (inch)
S310S63SWECT95	S310R63SWECT95	6	3	1100	7-1/2	1-3/8
S310S83SWECT95	S310R83SWECT95	8	3	2400	10-1/8	2-1/16
S310S103SWECT95	S310R103SWECT95	10	3	3000	11-1/2	2-1/4

• Crown tread also available in
 70A, 80A, 60D & 75D durometer

• See wheel section



Caster Type**Page**

GAD Kingpinless Casters.....	2-4
410 Kingpinless Casters.....	5-7
415 Dual Wheel Kingpinless Casters.....	8-9
S410 Springloaded Casters.....	10-11

ALL WHEELS ARE AVAILABLE WITH
PRECISION BALL BEARING, CENTERPIECE & END CAPS
FOR MANUAL OR TOWING TO FIT IN 3-1/2" HUB LENGTH RIGS.
See Wheel Section for complete selection.

GAD TOTAL LOCK KINGPINLESS SERIES CASTERS



**LEADING SIDE
TOTAL LOCK SWIVEL CASTER**
Add TL to swivel caster number

Available Toe Guard
TO

**NEW TRAILING SIDE
TOTAL LOCK SWIVEL CASTER**
No need to move cots back and forth
for finding the brake pedal.
Add TLN to swivel caster number



Swivel Head Section



Total Lock System



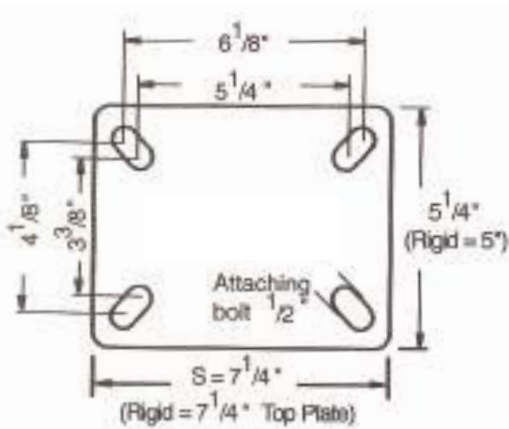
Wheel Face Brake



Directional Lock

5,000 LBS. LOAD CAPACITY FORGED KINGPINLESS TYPE CASTERS

- Single piece Drop Forged AISI 1045 Steel Top Plate and Fork Base.
- Precision CNC Machined Raceways with 3-1/2" diameter with 1/2" ball bearings.
- Induction Hardening of Raceways ensures uniform depth of hardness.
- Totally Sealed Swivel Head with Grease Nipple.
- 3/8" Thick x 3" wide Fork Legs Robotically welded Inside & Outside to 3 1/2" fork spacing.
- 3/4" Wheel axle.
- 4 Position Directional Lock Slots.
- Finish: Bright Zinc Plated.



TOP PLATE
5-1/4 X 7-1/4

BOLT HOLE CENTER
3-3/8 X 5-1/4
SLOTTED TO
4-1/8 X 6-1/8

ATTACHING BOLT SIZE
1/2

RIG OPTIONS
DL: 4-WAY DIRECTIONAL LOCK

WFB: WHEEL FACE BRAKE
ADD TO SUFFIX
OF THE CASTER PART NUMBER

TOE GUARDS
SPECIFY "TO"
WITH CASTER NUMBER

7 GAD TOTAL LOCK KINGPINLESS SERIES CASTERS

NY/MD WHEELS

NYLACRON™ WHEELS

- Precision Machined from Cast Polyamide Hardness 112-120 Rockwell R.
- Ultimate choice for Extremely High Load applications to replace metallic wheels.
- Offer very high abrasion resistance and very low rolling resistance under extreme loads.

- Resistant to salt, grease, alcohol and mild acids - can be used in corrosive applications with appropriate bearings.
- Precision Ball Bearings.
- Temperature Range: -40°F to +270°F.



Part Number Swivel Caster	Part Number Swivel with Total Lock	Part Number Rigid Caster	Wheel Diameter (inch)	Tread Width (inch)	Load Capacity (lbs)	Overall Height (inch)	Swivel Radius (inch)	Swivel Radius w/Total Lock (inch)	Swivel Radius w/Wheel Brake (inch)
GADS63NYMD	GADTL63NYMD	GADR63NYMD	6	3	5000	8	5-1/8	6	10-1/8
GADS83NYMD	GADTL83NYMD	GADR83NYMD	8	3	5000	10-1/2	6-1/2	6-1/4	11-1/4
GADS103NYMD	GADTL103NYMD	GADR103NYMD	10	3	5000	12-1/2	7-3/4	7-3/4	12-3/4
GADS123NYMD	GADTL123NYMD	GADR123NYMD	12	3	5000	15-1/2	8-3/8	8-3/8	13-3/8

NY/MC WHEELS

NYLACRON™ WHITE WHEELS

- Precision Machined from Cast Polyamide Hardness 112-120 Rockwell R.
- Ultimate choice for Extremely High Load applications to replace metallic wheels.
- Offer very high abrasion resistance and very low rolling resistance under extreme loads.

- Resistant to salt, grease, alcohol and mild acids - can be used in corrosive applications with appropriate bearings.
- Precision Ball Bearings.
- Temperature Range: -40°F to +270°F.



Part Number Swivel Caster	Part Number Swivel with Total Lock	Part Number Rigid Caster	Wheel Diameter (inch)	Tread Width (inch)	Load Capacity (lbs)	Overall Height (inch)	Swivel Radius (inch)	Swivel Radius w/Total Lock (inch)	Swivel Radius w/Wheel Brake (inch)
GADS63NYMC	GADTL63NYMC	GADR63NYMC	6	3	5000	8	5-1/8	6	10-1/8
GADS83NYMC	GADTL83NYMC	GADR83NYMC	8	3	5000	10-1/2	6-1/2	6-1/4	11-1/4
GADS103NYMC	GADTL103NYMC	GADR103NYMC	10	3	5000	12-1/2	7-3/4	7-3/4	12-3/4
GADS123NYMC	GADTL123NYMC	GADR123NYMC	12	3	5000	15-1/2	8-3/8	8-3/8	13-3/8

MEGALOAD™ AND VULKOLLAN™ WHEELS WITH PRECISION BALL BEARINGS AVAILABLE TO FIT THIS CASTER SERIES.
SIZES 6 X 3, 8 X 3, 10 X 3 & 12 X 3.

SAS WHEELS

HIGH CAPACITY POLYURETHANE TREAD WHEELS CAST IRON CORE

- Polyurethane firmly bonded to Precision Machined Cast Iron Core
- 93+ 3 Shore A
- Low rolling resistance, smooth and noiseless running

- Non-marking and floor protective
- High abrasion, cut and tear resistant
- Precision Ball Bearings
- Temperature Range: -40°F to +180°F
- Available in Anti-Static add "AS" after wheel



Part Number Swivel Caster	Part Number Swivel with Total Lock	Part Number Rigid Caster	Wheel Diameter (inch)	Tread Width (inch)	Load Capacity (lbs)	Overall Height (inch)	Swivel Radius (inch)	Swivel Radius w/Total Lock (inch)	Swivel Radius w/Wheel Brake (inch)
GAD62SSAS	GAD62SSASTL	GAD62RSAS	6	3	2300	8	5-1/8	6	10-1/8
GAD82SSAS	GAD82SSASTL	GAD82RSAS	8	3	3100	10-1/2	6-1/4	6-1/4	11-1/4
GAD102SSAS	GAD102SSASTL	GAD102RSAS	10	3	4000	12-1/2	7-3/4	7-3/4	12-3/4
GAD122SSAS	GAD122SSASTL	GAD122RSAS	12	3	4850	15-1/2	8-3-8	8-3-8	13-3/8

SJS WHEELS

POLYURETHANE WHEELS

- Polyurethane tread wheels firmly bonded to Precision Machined Cast Iron Core.
- 93 + 3 Shore A.
- Low rolling resistance; Smooth and noiseless running.
- Non-marking and floor protective.

- Good Abrasion and cut resistance.
- Ideal for medium duty applications.
- Precision Ball Bearings.
- Temperature Range: -40°F to +180°F.
- Available in Anti-Static add "AS" after wheel.



Part Number Swivel Caster	Part Number Swivel with Total Lock	Part Number Rigid Caster	Wheel Diameter (inch)	Tread Width (inch)	Load Capacity (lbs)	Overall Height (inch)	Swivel Radius (inch)	Swivel Radius w/Total Lock (inch)	Swivel Radius w/Wheel Brake (inch)
GAD62SSJS	GAD62SSJSTL	GAD62RSJS	6	3	2100	8	5-1/8	6	10-1/8
GAD82SSJS	GAD82SSJSTL	GAD82RSJS	8	3	2500	10-1/2	6-1/4	6-1/4	11-1/4
GAD102SSJS	GAD102SSJSTL	GAD102RSJS	10	3	3000	12-1/2	7-3/4	7-3/4	12-3/4
GAD122SSJS	GAD122SSJSTL	GAD122RSJS	12	3	3500	15-1/2	8-3-8	8-3-8	13-3/8

ME WHEELS

ERGONOMIC POLYURETHANE DONUT TREAD WHEELS CAST IRON CORE

- For Low Push-Pull Efforts.
- Polyurethane firmly bonded to Precision Machined Cast Iron Core.
- Red Tread 93+ 3 Shore A.
- Non-marking and floor protective.

- Tread Options:
Softer 80A - Yellow Tread (specify ME-Z)
Harder 73D - Blue Tread (specify ME-F).
- Precision Ball Bearings.
- Temperature Range: -40°F to +180°F.
- Available in Anti-Static add "AS" after wheel.



Part Number Swivel Caster	Part Number Swivel with Total Lock	Part Number Rigid Caster	Wheel Diameter (inch)	Tread Width (inch)	Load Capacity (lbs)	Overall Height (inch)	Swivel Radius (inch)	Swivel Radius w/Total Lock (inch)	Swivel Radius w/Wheel Brake (inch)
GAD62SME	GAD62SMETL	GAD62RME	6	3	1850	8	5-1/8	6	10-1/8
GAD82SME	GAD82SMETL	GAD82RMES	8	3	2400	10-1/2	6-1/4	6-1/4	11-1/4
GAD102SME	GAD102SMETL	GAD102RME	10	3	2850	12-1/2	7-3/4	7-3/4	12-3/4
GAD122SME	GAD122SMETL	GAD122RME	12	3	3500	15-1/2	8-3-8	8-3-8	13-3/8

7 410 KINGPINLESS CASTERS



4,100 LBS. LOAD CAPACITY KINGPINLESS TYPE CASTERS

- **Top Plate:** 3/8" AISI 1045 heat treated steel welded inside and out for longer life.
- **Swivel Section:** One row of 1/2" ball bearings mounted in a heat treated precision machined raceway. Zerk in swivel section.
- **Yoke Base:** Notched AISI 1045 steel.
- **Legs:** 3/8" thick welded inside and out.
- **Axle:** 3/4" diameter.
- **Finish:** RoHS Zinc plating, for greater corrosion resistance than paint.



TOE GUARDS AVAILABLE WITH ALL CASTERS.

MOUNTING PLATE OPTIONS

TOP PLATE: (STANDARD)

- Plate Size:** 4-1/2" x 6-1/4"
- Bolt Holes:** 2-7/16" x 4-15/16" slotted to 3-3/8" x 5-1/4"
- Bolt Size:** 1/2"

Nylacron™ Wheels

With Precision Ball Bearings for Any Application

Nylacron™ wheels with proper sized precision bearings are made to fit in any rig hub length and axle size. Nylacron™ wheels have greater load capacity ratings with better rollability while requiring less maintenance and have a longer life.

SEE NYLACRON™ WHEEL SECTION FOR CUSTOM SIZES & SHAPES.

BRAKES OPTIONS



Poly Cam
specify P



PLB Integrated
specify PLB



Single Sided specify SSB310
Double Sided specify DSB310



Face Contact
specify FBB



Hand Operated Swivel Lock
specify SL3000000

TYPICAL APPLICATIONS

- Conveyor-drawn tow-trucks
- Heavy duty bakery racks
- Production dollies
- Heavy duty dough troughs

WHEEL BEARING OPTIONS

- Straight Roller (01)
- Tapered Roller (09)
- Precision Ball (28)

7 410 KINGPINLESS CASTERS

NY/MD WHEELS

NYLACRON™ WHEELS

- Precision Machined from Cast Polyamide Hardness 112-120 Rockwell R.
- Ultimate choice for Extremely High Load applications to replace metallic wheels.
- Offer very high abrasion resistance and very low rolling resistance under extreme loads.

- Resistant to salt, grease, alcohol and mild acids - can be used in corrosive applications with appropriate bearings.
- Precision Ball Bearings.
- Temperature Range: -40°F to +270°F.



Part Number Swivel Caster	Part Number Rigid Caster	Wheel Diameter (inch)	Tread Width (inch)	Load Capacity (lbs)	Overall Height (inch)	Swivel Radius (inch)	Swivel Radius w/Total Lock (inch)	Swivel Radius w/Wheel Brake (inch)
410S63NYMD	410R63NYMD	6	3	4100	7-1/2	5-1/2	6	10-1/2
410S83NYMD	410R83NYMD	8	3	4100	10-1/8	6-1/2	6-1/2	11-1/2
410S103NYMD	410R103NYMD	10	3	4100	11-1/2	7-3/4	7-3/4	12-3/4
410S123NYMD	410R123NYMD	12	3	4100	13-1/2	9-1/4"	9-1/4	14-1/4

NY/MC WHEELS

NYLACRON™ WHITE WHEELS

- Precision Machined from Cast Polyamide Hardness 112-120 Rockwell R.
- Ultimate choice for Extremely High Load applications to replace metallic wheels.
- Offer very high abrasion resistance and very low rolling resistance under extreme loads.

- Resistant to salt, grease, alcohol and mild acids - can be used in corrosive applications with appropriate bearings.
- Precision Ball Bearings.
- Temperature Range: -40°F to +270°F.



Part Number Swivel Caster	Part Number Rigid Caster	Wheel Diameter (inch)	Tread Width (inch)	Load Capacity (lbs)	Overall Height (inch)	Swivel Radius (inch)	Swivel Radius w/Total Lock (inch)	Swivel Radius w/Wheel Brake (inch)
410S63NYMC	410R63NYMC	6	3	4100	7-1/2	5-1/2	6	10-1/2
410S83NYMC	410R83NYMC	8	3	4100	10-1/8	6-1/2	6-1/2	11-1/2
410S103NYMC	410R103NYMC	10	3	4100	11-1/2	7-3/4	7-3/4	12-3/4
410S123NYMC	410R123NYMC	12	3	4100	13-1/2	9-1/4	9-1/4	14-1/4

DF WHEELS

DROP FORGED STEEL WHEELS

- AISI 1045 steel with machined tread faces.
- Virtually indestructible and easy to maneuver.
- High abrasion and oil resistant.

- Can be use in the roughest of applications on the poorest of floors.
- Precision Ball Bearings.
- Temperature Range: -150°F to +800°F.



Part Number Swivel Caster	Part Number Rigid Caster	Wheel Diameter (inch)	Tread Width (inch)	Load Capacity (lbs)	Overall Height (inch)	Swivel Radius (inch)	Swivel Radius w/Total Lock (inch)	Swivel Radius w/Wheel Brake (inch)
410S63DF	410R63DF	6	3	4000	7-1/2	5-1/2	6	10-1/2
410S83DF	410R83DF	8	3	4000	10-1/8	6-1/2	6-1/2	11-1/2
410S103DF	410R103DF	10	3	4000	11-1/2	7-3/4	7-3/4	12-3/4
410S123DF	410R123DF	12	3	4000	13-1/2	9-1/4"	9-1/4	14-1/4

7 410 KINGPINLESS CASTERS

SJS WHEELS

POLYURETHANE WHEELS

- Polyurethane tread wheels firmly bonded to Precision Machined Cast Iron Core.
- 93 + 3 Shore A.
- Low rolling resistance; Smooth and noiseless running.
- Non-marking and floor protective.

- Good Abrasion and cut resistance.
- Ideal for medium duty applications.
- Precision Ball Bearings.
- Temperature Range: -40°F to +180°F.
- Available in Anti-Static add "AS" after wheel.



Part Number Swivel Caster	Part Number Rigid Caster	Wheel Diameter (inch)	Tread Width (inch)	Load Capacity (lbs)	Overall Height (inch)	Swivel Radius (inch)	Swivel Radius w/Total Lock (inch)	Swivel Radius w/Wheel Brake (inch)
410S63SJS	410R63SJS	6	3	2100	7-1/2	5-1/2	6	10-1/2
410S83SJS	410R83SJS	8	3	2500	10-1/8	6-1/2	6-1/2	11-1/2
410S103SJS	410R103SJS	10	3	3000	11-1/2	7-3/4	7-3/4	12-3/4
410S123SJS	410R123SJS	12	3	3500	13-1/2	9-1/4	9-1/4	14-1/4

MDW WHEELS

DUCTILE CAST STEEL WHEELS

- Machined tread face.
- Crown tread Face makes maneuverability easy.
- Higher Load Capacities compared to Cast Iron Wheels.

- Suitable for extra heavy loads towed in punishing conditions.
- High abrasion and oil resistance.
- Precision Ball Bearings.
- Temperature Range: 800°F.



Part Number Swivel Caster	Part Number Rigid Caster	Wheel Diameter (inch)	Tread Width (inch)	Load Capacity (lbs)	Overall Height (inch)	Swivel Radius (inch)	Swivel Radius w/Total Lock (inch)	Swivel Radius w/Wheel Brake (inch)
410S63MDW	410R63MDW	6	3	3300	7-1/2	5-1/2	6	10-1/2
410S83MDW	410R83MDW	8	3	4000	10-1/8	6-1/2	6-1/2	11-1/2
410S103MDW	410R103MDW	10	3	4000	11-1/2	7-3/4	7-3/4	12-3/4
410S123MDW	410R123MDW	12	3	4000	13-1/2	9-1/4"	9-1/4	14-1/4

ME WHEELS

ERGONOMIC POLYURETHANE DONUT TREAD WHEELS CAST IRON CORE

- For Low Push-Pull Efforts.
- Polyurethane firmly bonded to Precision Machined Cast Iron Core.
- Red Tread 93+ 3 Shore A.
- Non-marking and floor protective.

- Tread Options:
Softer 80A - Yellow Tread (specify ME-Z)
Harder 73D - Blue Tread (specify ME-F).
- Precision Ball Bearings.
- Temperature Range: -40°F to +180°F.
- Available in Anti-Static add "AS" after wheel.



Part Number Swivel Caster	Part Number Rigid Caster	Wheel Diameter (inch)	Tread Width (inch)	Load Capacity (lbs)	Overall Height (inch)	Swivel Radius (inch)	Swivel Radius w/Total Lock (inch)	Swivel Radius w/Wheel Brake (inch)
410S63ME	410R63ME	6	3	2300	7-1/2	5-1/2	6	10-1/2
410S83ME	410R83ME	8	3	3100	10-1/8	6-1/2	6-1/2	11-1/2
410S103ME	410R103ME	10	3	4000	11-1/2	7-3/4	7-3/4	12-3/4
410S123ME	410R123ME	12	3	4000	13-1/2	9-1/4	9-1/4	14-1/4

MEGALOAD™ AND VULKOLLAN™ WHEELS WITH PRECISION BALL BEARINGS AVAILABLE TO FIT THIS CASTER SERIES.
SIZES 6 X 3, 8 X 3, 10 X 3 & 12 X 3.

7 415 KINGPINLESS DUAL WHEEL SERIES CASTERS



5,400 LBS. LOAD CAPACITY KINGPINLESS TYPE CASTERS

- **Raceway Design:** Patented Kinpinless single ball bearing precision machined raceway hardened to 53 Rockwell C minimum. Swivel section features a 3" diameter raceway with 1/2" ball bearings. The notched yoke is standard.
- **Finish:** Laguna Blue paint.
- **Yoke Base:** Harden C1040 steel.
- **Legs:** 3/8" formed steel. Center leg support is added for increased strength.
- **Wheels:** All wheels are 3" wide with precision bearings for minimal maintenance.
- **Axle:** 3/4" bolt, locking nut and lubrication fittings.
- Alternate or custom caster configurations available.

BRAKES OPTIONS



Poly Cam
specify P



Hand Operated Swivel Lock
specify L

To order a rigid caster, change the "S" to "R" in the model number. Dimensions shown are nominal. If precise dimensions are required, consult Acorn™. For approximate weight of our rigid casters, deduct 3.9 pounds.

All bearings are precision ball bearings with heavy-duty end caps.

MOUNTING PLATE OPTIONS

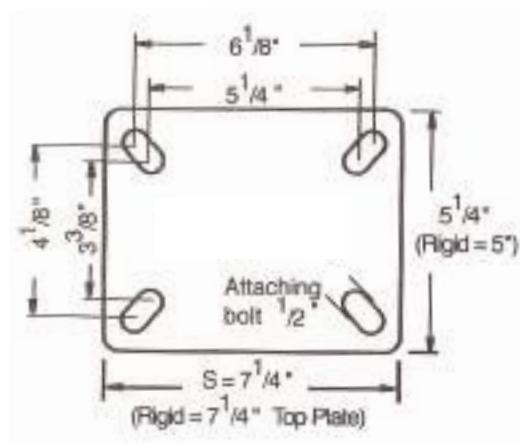
TOP PLATE:

Plate Size: 5-1/4" x 7-1/4"

Bolt Holes: 6-1/8" x 4-1/2"

Slotted: 6" x 4-1/8"

Bolt Size: 1/2"



NY/MD WHEELS

NYLACRON™ WHEELS

- Precision Machined from Cast Polyamide Hardness 112-120 Rockwell R.
- Ultimate choice for Extremely High Load applications to replace metallic wheels.
- Offer very high abrasion resistance and very low rolling resistance under extreme loads.

- Resistant to salt, grease, alcohol and mild acids - can be used in corrosive applications with appropriate bearings.
- Precision Ball Bearings.
- Temperature Range: -40°F to +270°F.



Part Number Swivel Caster	Part Number Rigid Caster	Wheel Diameter (inch)	Tread Width (inch)	Load Capacity (lbs)	Overall Height (inch)	Swivel Lead (inch)
415S63NYMD	415R63NYMD	6	3	5400	8-1/2	2.25
415S83NYMD	415R83NYMD	8	3	5400	10-1/2	2.75
415S103NYMD	415R103NYMD	10	3	5400	12-1/2	3.38
415S123NYMD	415R123NYMD	12	3	5400	15-1/2	4.13

MEGALOAD™ AND VULKOLLAN™ WHEELS WITH PRECISION BALL BEARINGS AVAILABLE TO FIT THIS CASTER SERIES.
SIZES 6 X 3, 8 X 3, 10 X 3 & 12 X 3.

7 S410 SPRING LOADED CASTERS



3,000 LBS. LOAD CAPACITY KINGPINLESS TYPE CASTERS

- **Load Springs:** Different load springs for each series permits wide variation in ride “softness”.
- **Complete Line:** Available on all 7KSL models.
- **Swivel Section:** Kingpinless design. Ball bearing mounted in a machined raceway.
- **Axle:** 3/4” diameter standard. Optional 1” diameter available.
- Alternate or custom caster configurations available.
- Brake options available.

Our newly designed spring loaded casters offer greater capacity and protection from damaging shock or unwanted vibration and movement. Noise levels are reduced through the dampening effect of these casters.

We offer many custom spring loaded solutions for the automotive and aviation industry.

TYPICAL APPLICATIONS

- Aviation ground support
- Aircraft tripod jacks
- Portable medical equipment
- Computer equipment
- Shock sensitive loads

MOUNTING PLATE OPTIONS

TOP PLATE: (STANDARD)

Plate Size: 4-1/2” x 6-1/4”

Bolt Holes: 2-7/16” x 4-15/16”
slotted to
3-3/8” x 5-1/4”

Bolt Size: 1/2”

Special order top plates

(PATK) 6-1/4” x 4-1/4”

(PATR) 7-1/2” x 6-1/4”

(PATS) 7” x 6”

7 S410 SPRING LOADED CASTERS

NYLACRON™ WHEELS PRECISION BALL BEARINGS NY/MD

Part Number Swivel Caster	Part Number Rigid Caster	Wheel Diameter (inch)	Tread Width (inch)	Load Capacity (lbs)	Overall Height (inch)	Swivel Lead (inch)
S410S63NYMD	S410R63NYMD	6	3	3000	7-1/2	1-3/8
S410S83NYMD	S410R83NYMD	8	3	3000	10-1/8	2-1/16
S410S103NYMD	S410R103NYMD	10	3	3000	11-1/2	2-1/4
S410S123NYMD	S410R123NYMD	12	3	3000	13-1/2	2-11/16



POLYURETHANE TREAD ON CAST IRON PRECISION BALL BEARINGS PF

Part Number Swivel Caster	Part Number Rigid Caster	Wheel Diameter (inch)	Tread Width (inch)	Load Capacity (lbs)	Overall Height (inch)	Swivel Lead (inch)
S410S63PF	S410R63PF	6	3	3000	7-1/2	1-3/8
S410S83PFS	S410R83PF	8	3	3000	10-1/8	2-1/16
S410S103PFS	S410R103PF	10	3	3000	11-1/2	2-1/4
S410S123PFS	S410R123PF	12	3	3000	13-1/2	2-11/16



SWIVEL-EAZ™ 95A CROWN TREAD PRECISION BALL BEARINGS SWE/CT

• Crown tread also available in 70A, 80A, 60D & 75D durometer.

• See wheel section.

Part Number Swivel Caster	Part Number Rigid Caster	Wheel Diameter (inch)	Tread Width (inch)	Load Capacity (lbs)	Overall Height (inch)	Swivel Lead (inch)
S410S63SWECT	S410R63SWECT	6	3	2137	10-7/8	4-7/8
S410S83SWECT	S410R83SWECT	8	3	3000	11-7/8	4-7/8



SWIVEL-EAZ™ 95A FLAT TREAD PRECISION BALL BEARINGS SWE/FT

• Flat tread also available in 70A, 80A, 60D & 75D durometer.

• See wheel section.

Part Number Swivel Caster	Part Number Rigid Caster	Wheel Diameter (inch)	Tread Width (inch)	Load Capacity (lbs)	Overall Height (inch)	Swivel Lead (inch)
S410S63SWEFT	S410R63SWEFT	6	3	2850	10-7/8	4-7/8
S410S83SWEFT	S410R83SWEFT	8	3	3000	11-7/8	4-7/8
S410S103SWEFT	S410R103SWEFT	10	3	3000	14	4-7/8



MEGALOAD™ AND VULKOLLAN™ WHEELS WITH PRECISION BALL BEARINGS AVAILABLE TO FIT THIS CASTER SERIES.
SIZES 6 X 3, 8 X 3, 10 X 3 & 12 X 3.

Caster Type**Page**

610 Kingpinless Casters.....2-5

615 Dual Wheel Kingpinless Casters.....6-7

S610 Spring Loaded Casters.....8-9

ALL WHEELS ARE AVAILABLE WITH
PRECISION BALL BEARING, CENTERPIECE & END CAPS
FOR MANUAL OR TOWING TO FIT IN 3-1/2" HUB LENGTH RIGS.
See Wheel Section for complete selection.

8 610 KINGPINLESS CASTERS



7,200 LBS. LOAD CAPACITY KINGPINLESS TYPE CASTERS

- **Top Plate:** 1/2" thick AISI 1045 steel precision machined and through-hardened for longer life.
- **Swivel Section:** 3/4" ball bearings mounted in a 4-3/8" precision machined raceway Zerk in swivel section.
- **Legs:** 3/8" thick steel welded to yoke base using 100,000 psi weld filler.
- **Axle:** 2-1/2" and 3" tread width wheels feature a 3/4" axle, 3-1/2" and 4" tread width wheels feature a 1" axle.
- Alternate or custom caster configurations available.

BRAKE OPTIONS



Poly Cam
specify P



Single Sided specify **SSB610**
Double Sided specify **DSB610**



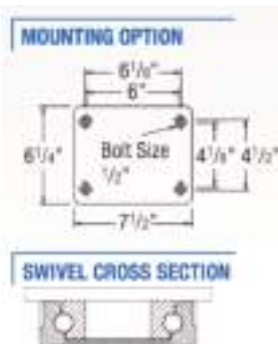
Face Contact
specify F



Hand Operated Swivel Lock
specify **SL6000000**



TOE GUARDS AVAILABLE TO



Highly recommended for automotive and aerospace applications. This caster is built to take the punishment of constant swiveling or for service where shock or impact loads might damage less rugged casters.

TYPICAL APPLICATIONS

- Body dolly carts
- Engine dollies
- Material carts
- Chassis rack carts
- Paint line dollies
- Towed trash gondolas

TOP PLATE: (STANDARD)

Plate Size: 6-1/4" x 7-1/2"

Bolt Holes: 6-1/8" x 4-1/2"
slotted to
6" x 4-1/8"

Bolt Size: 1/2"

8 610 KINGPINLESS CASTERS

NYLACRON™ WHEELS PRECISION BALL BEARINGS NY/MD

- Precision Machined from Cast Polyamide. Hardness 112-120 Rockwell R.
- Ultimate choice for Extremely High Load applications to replace metallic wheels.
- Offer very high abrasion resistance and very low rolling resistance under extreme loads.

- Resistant to salt, grease, alcohol and mild acids - can be used in corrosive applications with appropriate bearings.
- Large Precision Ball Bearings.
- Temperature Range: -40°F to +270°F.



Part Number Swivel Caster	Part Number Rigid Caster	Wheel Diameter (inch)	Tread Width (inch)	Load Capacity (lbs)	Overall Height (inch)	Swivel Lead (inch)S
610S63NYMD	610R63NYMD	6	3	7200	8	2-7/32
610S83NYMD	610R83NYMD	8	3	7200	10-1/2	2-15/16
610S103NYMD	610R103NYMD	10	3	7200	12-1/2	3-3/8
610S123NYMD	610R123NYMD	12	3	7200	12-1/2	3-3/8

POLYURETHANE ON CAST IRON ROLLER BEARING PY

- Tapered (09)

- Straight Roller Bearing (01)



Part Number Swivel Caster	Part Number Rigid Caster	Wheel Diameter (inch)	Tread Width (inch)	Load Capacity (lbs)	Overall Height (inch)	Swivel Lead (inch)
610PY06509	610PX06509R	6	3	2040	8-1/2	1-3/4
610PY08509	610PX08509R	8	3	2520	10-1/2	2-1/4
610PY08709	610PX08709R	8	4	3500	10-1/2	2-1/4
610PY10509	610PX10509R	10	3	3000	12-1/2	2-3/4
610PY10709	610PX10709R	10	4	4200	12-1/2	2-3/4
610PY12709	610PX12709R	12	4	4800	15-1/2	3-5/8
610PY14709	610PX14709R	14	4	5000	18	4-3/8

THICK TREAD POLYURETHANE ROLLER BEARING PX

- Tapered (09)

- Straight Roller Bearing (01)



Part Number Swivel Caster	Part Number Rigid Caster	Wheel Diameter (inch)	Tread Width (inch)	Load Capacity (lbs)	Overall Height (inch)	Swivel Lead (inch)
610PX06509	610PX06509R	6	3	2040	8-1/2	1-3/4
610PX08509	610PX08509R	8	3	2520	10-1/2	1-3/4
610PX08709	610PX08709R	8	4	3500	10-1/2	2-1/4
610PX10509	610PX10509R	10	3	3000	12-1/2	2-3/4
610PX10709	610PX10709R	10	4	4200	12-1/2	2-3/4
610PX12709	610PX12709R	12	4	4800	15-1/2	3-5/8

8 610 KINGPINLESS CASTERS

VULKOLLAN™ THICK TREAD POLYURETHANE ROLLER BEARING VX

- Tapered (09)
- Precision Ball Bearings (28).
- Straight Roller Bearing (01).



Part Number Swivel Caster	Part Number Rigid Caster	Wheel Diameter (inch)	Tread Width (inch)	Load Capacity (lbs)	Overall Height (inch)	Swivel Lead (inch)
610VX06509	610VX06509R	6	3	3000	8-1/2	1-3/4
610VX08509	610VX08509R	8	3	4000	10-1/2	2-1/4
610VX10509	610VX10509R	10	3	5000	12-1/2	2-3/4

POLYURETHANE ON HEAVY DUTY CAST IRON PF

- Precision Ball Bearings (28).
- Tapered (09)
- Straight Roller Bearing (01).



Part Number Swivel Caster	Part Number Rigid Caster	Wheel Diameter (inch)	Tread Width (inch)	Load Capacity (lbs)	Overall Height (inch)	Swivel Lead (inch)
610PF08528	610PF08528R	8	3	4000	10-1/2	2-1/4
610PF10528	610PF10528R	10	3	4200	12-1/2	2-3/4
610PF12528	610PF12528R	12	3	4400	15-1/2	2-3/4

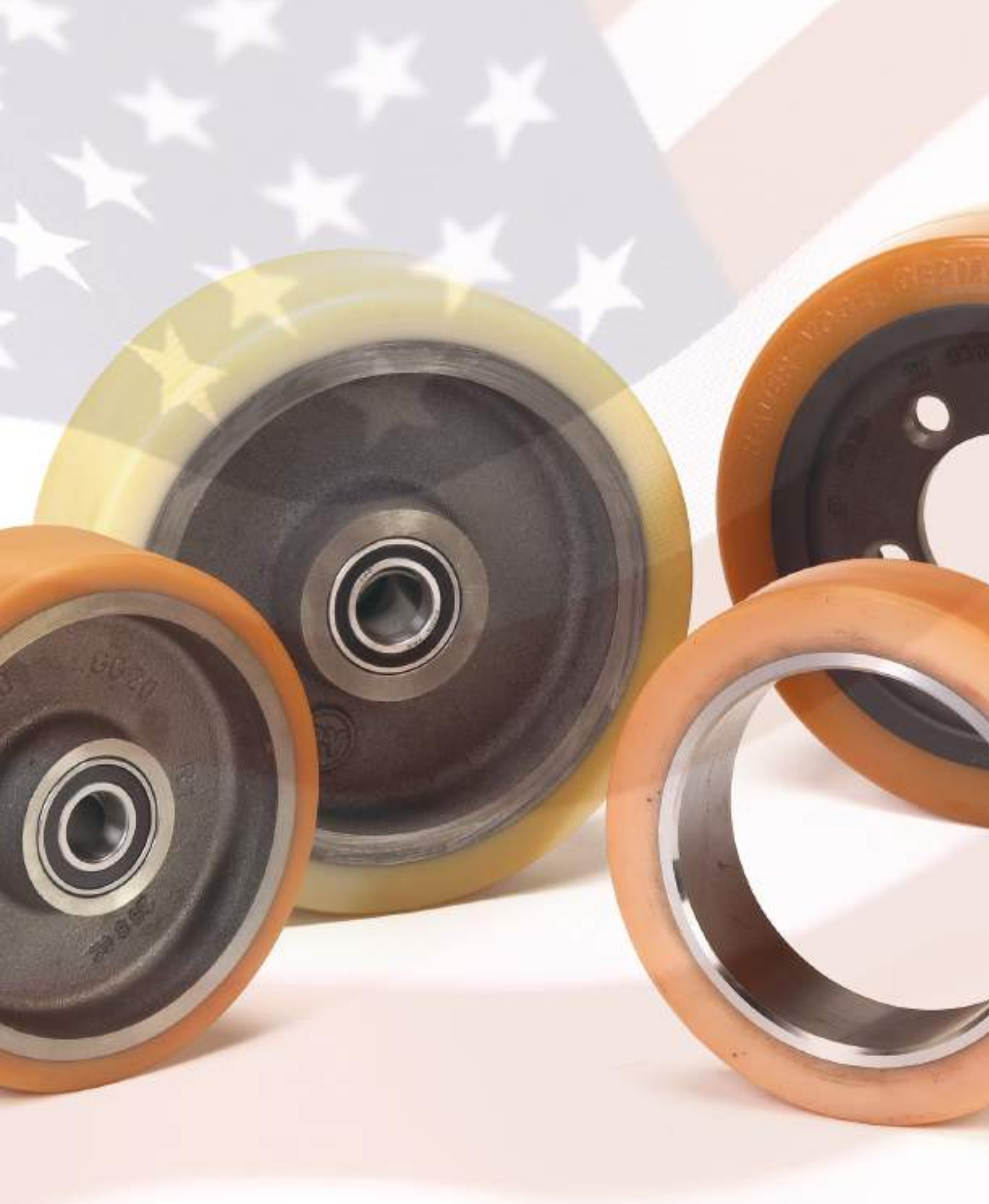
HEAVY DUTY LARGE BORE DROP FORGED STEEL TAPERED BEARING FH

- Straight Roller Bearing (01).
- Tapered (09)



Part Number Swivel Caster	Part Number Rigid Caster	Wheel Diameter (inch)	Tread Width (inch)	Load Capacity (lbs)	Overall Height (inch)	Swivel Lead (inch)
610FH08501	610FH08501R	8	3	6000	10-1/2	2-1/4
610FH10501	610FH10501R	10	3	6000	12-1/2	2-3/4

SEE WHEEL SECTION FOR OTHER WHEELS AVAILABLE





10,000 LBS. LOAD CAPACITY KINGPINLESS TYPE CASTERS

- **Raceway Design:** Kingpinless single ball bearing precision machined raceway hardened to 53 Rockwell C minimum. Swivel section features a 3" diameter raceway with 1/2" ball bearings. The notched yoke is standard.
- **Finish:** Laguna Blue paint.
- **Yoke Base:** Harden C1040 steel.
- **Legs:** 3/8" formed steel. Center leg support is added for increased strength.
- **Wheels:** All wheels are 3" and 4" wide with precision bearings for minimal maintenance.
- **Axle:** 3/4" bolt, locking nut and lubrication fittings.
- Alternate or custom caster configurations available.

BRAKE OPTIONS

CWB Cam Wheel Brake

SWIVEL RIG OPTIONS

HT High Temperature Lubrication

LT Low Temperature Lubrication

DSL Demountable Swivel Lock

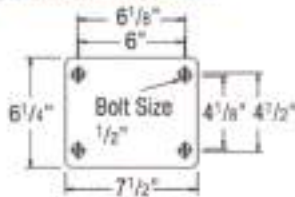
SL Swivel Lock

SR Sealed Swivel Raceway

TG Thread Guard

To order a rigid caster, change the "S" to "R" in the model number. Dimensions shown are nominal. If precise dimensions are required, consult Acorn™. For approximate weight of our rigid casters, deduct 3.9 pounds.

615 MOUNTING OPTION



615 SWIVEL CROSS SECTION



TOP PLATE: (STANDARD)

Plate Size: 6-1/4" x 7-1/2"

Bolt Holes: 4-1/2" x 6"
slotted to
4-1/8" x 6-1/8"

Bolt Size: 1/2"

**NYLACRON™ WHEELS
PRECISION BALL BEARINGS
NY/MD**

- Precision Machined from Cast Polyamide. Hardness 112-120 Rockwell R.
- Ultimate choice for Extremely High Load applications to replace metallic wheels.
- Offer very high abrasion resistance and very low rolling resistance under extreme loads.
- Resistant to salt, grease, alcohol and mild acids - can be used in corrosive applications with appropriate bearings.
- Large Precision Ball Bearings.
- Temperature Range: -40°F to +270°F.



Part Number Swivel Caster	Part Number Rigid Caster	Wheel Diameter (inch)	Tread Width (inch)	Load Capacity (lbs)	Overall Height (inch)	Swivel Part Number Add B, P, PL, R or T*	
						Swivel Lead (inch)	Wt. (lbs.)
615S63NYMD	615R63NYMD	6	3	10,000	8-1/2	1-9/16	30
615S83NYMD	615R83NYMD	8	3	10,000	10-1/2	2	33
615S1030NYMD	615R1030NYMD	10	3	10,000	12-1/2	2	38
615S1230NYMD	615R1230NYMD	12	3	10,000	15-1/2	2-1/2	40
615S84NYMD	615R84NYMD	8	4	10,000	12-1/2	4-1/8	40
615S1040NYMD	615R1040NYMD	10	4	10,000	12-1/2	2-1/2	42
615S1020NYMD	615R1020NYMD	12	4	10,000	15-1/2	3-3/8	50
615S1440NYMD	615R1440NYMD	14	4	10,000	16-1/2	3-13/16	54
615S164063NYMD	615R164063NYMD	16	4	10,000	18-1/2	4	68



Nylacron™ Wheels

With Precision Ball Bearings for Any Application
(also available in black, blue, white & red)

Nylacron™ wheels with proper sized precision bearings are made to fit in any rig hub length and axle size. Nylacron™ wheels have greater load capacity ratings with better rollability while requiring less maintenance and have longer life.

**SEE NYLACRON™ WHEEL SECTION
FOR CUSTOM SIZES & SHAPES**

8 S610 SPRING LOADED CASTERS



3,000 LBS. LOAD CAPACITY KINGPINLESS TYPE CASTERS

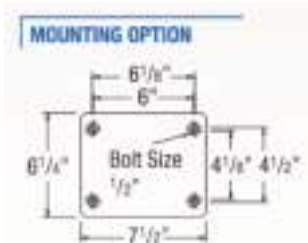
- **Load Springs:** Different load springs for each series permits wide variation in ride "softness".
- **Complete Line:** Available on all 8KSL models.
- **Swivel Section:** Kingpinless design. Ball bearing mounted in a machined raceway.
- **Axle:** 3/4" diameter standard. Optional 1" diameter available.
- Alternate or custom caster configurations available.

Our newly designed spring loaded casters offer greater capacity and protection from damaging shock or unwanted vibration and movement. Noise levels are reduced through the dampening effect of these casters.

We offer many custom spring loaded solutions for the automotive and aviation industry.

TYPICAL APPLICATIONS

- Body dolly carts
- Engine dollies
- Material carts
- Chassis rack carts
- Paint line dollies
- Towed trash gondolas
- Aviation ground support
- Aircraft tripod jacks
- Shock sensitive loads



TOP PLATE: (STANDARD)

Plate Size: 6-1/4" x 7-1/2"

Bolt Holes: 4-1/2" x 6-1/8"
slotted to
4-1/8" x 6-1/2"

Bolt Size: 1/2"

8 S610 SPRING LOADED CASTERS

NYLACRON™ WHEELS PRECISION BALL BEARINGS NY/MD

Part Number Swivel Caster	Part Number Rigid Caster	Wheel Diameter (inch)	Tread Width (inch)	Load Capacity (lbs)	Overall Height (inch)	Swivel Lead (inch)
S610S63NYMD	S610R63NYMD	6	3	3000	7-1/2	1-3/8
S610S83NYMD	S610R83NYMD	8	3	3000	10-1/8	2-1/16
S610S103NYMD	S610R103NYMD	10	3	3000	11-1/2	2-1/4
S610S123NYMD	S610R123NYMD	12	3	3000	13-1/2	2-11/16



POLYURETHANE TREAD ON CAST IRON PRECISION BALL BEARINGS PF

Part Number Swivel Caster	Part Number Rigid Caster	Wheel Diameter (inch)	Tread Width (inch)	Load Capacity (lbs)	Overall Height (inch)	Swivel Lead (inch)
S610S63PF	S610R63PF	6	3	3000	11-3/4	4-1/2
S610S83PF	S610R83PF	8	3	3000	12-3/4	4-1/2
S610S103PF	S610R103PF	10	3	3000	14-7/8	4-1/2
S610S123PF	S610R123PF	12	3	3000	16-7/8	5-5/16



VULKOLLAN™ THICK TREAD POLYURETHANE ROLLER BEARING VX

• Tapered (09)

• Precision Ball Bearings (28).

• Straight Roller Bearing (01)

Part Number Swivel Caster	Part Number Rigid Caster	Wheel Diameter (inch)	Tread Width (inch)	Load Capacity (lbs)	Overall Height (inch)	Swivel Lead (inch)
S610VX08509	S610VX08509R	8	3	3000	12-3/4	4-1/2
S610VX10509	S610VX10509R	10	3	3000	14-7/8	4-1/2



POLYURETHANE TREAD ON CAST IRON PRECISION BALL BEARINGS PR

• Precision Ball Bearings (28)

• Tapered (09)

Part Number Swivel Caster	Part Number Rigid Caster	Wheel Diameter (inch)	Tread Width (inch)	Load Capacity (lbs)	Overall Height (inch)	Swivel Lead (inch)
S610PR10528	S610PR10528R	10	3	2400	14-7/8	4-1/2
S610PR12528	S610PR12528R	12	3	2800	16-7/8	5-5/16



SWIVEL-EAZ™ 95A CROWN TREAD PRECISION BALL BEARINGS SWE/CT

• Crown tread also available in 70A, 80A, 60D & 75D durometer

• Available in Flat Tread add FT

Part Number Swivel Caster	Part Number Rigid Caster	Wheel Diameter (inch)	Tread Width (inch)	Load Capacity (lbs)	Overall Height (inch)	Swivel Lead (inch)
S610S63SWECT	S610R63SWECT	6	3	1100	11-3/4	4-1/2
S610S83SWECT	S610R83SWECT	8	3	2400	12-3/4	4-1/2
S610S103SWECT	S610R103SWECT	10	3	3000	14-7/8	4-1/2



Caster Type

Page

700 Kingpinless Casters.....2-5

850 Dual Wheel Kingpinless Casters.....6-7

ALL WHEELS ARE AVAILABLE WITH
PRECISION BALL BEARING, CENTERPIECE & END CAPS
FOR MANUAL OR TOWING TO FIT IN 3-1/2" HUB LENGTH RIGS.
See Wheel Section for complete selection.

9 700 KINGPINLESS CASTERS



20,000 LBS. LOAD CAPACITY KINGPINLESS TYPE CASTERS

- **Top Plate:** 1/2" thick AISI 1045 steel one-piece forging precision machined for longer life.
- **Swivel Section:** 3/4" ball bearings mounted in a 7" diameter precision machined raceway. Zerk in swivel section.
- **Legs:** 1/2" thick steel welded to yoke base using 100,000 psi weld filler.
- **Axle:** 1-1/4" diameter.
- Alternate or custom caster configurations available.

BRAKE OPTIONS



Poly Cam
specify **P**



Face Contact
specify **F**



Hand Operated Swivel Lock
specify **SL7000000**



TOE GUARDS AVAILABLE TO

These super duty casters are built specifically for that severe application where reliability is essential.

TOP PLATE: (STANDARD)

Plate Size: 8-1/2" x 8-1/2"

Bolt Size: 5/8"

TYPICAL APPLICATIONS

- Aircraft engine stands
- Ground support equipment
- Aerospace A-frame skin dollies
- Portable jigs
- Tooling fixtures
- Die carts
- Large platform work

9 700 KINGPINLESS CASTERS

NYLACRON™ WHEELS PRECISION BALL BEARINGS NY/MD

- Precision Machined from Cast Polyamide. Hardness 112-120 Rockwell R.
- Ultimate choice for Extremely High Load applications to replace metallic wheels.
- Offer very high abrasion resistance and very low rolling resistance under extreme loads.

- Resistant to salt, grease, alcohol and mild acids - can be used in corrosive applications with appropriate bearings.
- Large Precision Ball Bearings.
- Temperature Range: -40°F to +270°F.



Part Number Swivel Caster	Part Number Rigid Caster	Wheel Diameter (inch)	Tread Width (inch)	Load Capacity (lbs)	Overall Height (inch)	Swivel Lead (inch)
700NYMD08728	700NYMD08728R	8	4	10,000	10-1/2	2-15/16
700NYMD10728	700NYMD10728R	10	4	12,000	12-1/2	3-3/8
700NYMD10828	700NYMD10828R	10	5	12,000	13	2-1/2
700NYMD12728	700NYMD12728R	12	4	14,000	15-1/2	3-1/4
700NYMD12828	700NYMD12828R	12	5	18,000	15-1/2	3-1/4

POLYURETHANE ON CAST IRON ROLLER BEARING PY

- Tapered or Straight Roller Bearing available add T or R to suffix.

- See wheel section for additional durometers.



Part Number Swivel Caster	Part Number Rigid Caster	Wheel Diameter (inch)	Tread Width (inch)	Load Capacity (lbs)	Overall Height (inch)	Swivel Lead (inch)
700PY08709	700PY08709R	8	4	3500	11	2-1/4
700PY10709	700PY10709R	10	4	4200	13	2-1/2
700PY10809	700PY10809R	10	5	5000	13	2-1/2
700PY12709	700PY12709R	12	4	4800	15-1/2	3-1/4
700PY12809	700PY12809R	12	5	6000	15-1/2	3-1/4
700PY16709	700PY16709R	16	4	5970	19	4-1/2
700PY16809	700PY16809R	16	5	7700	19	4-1/2

THICK TREAD POLYURETHANE ROLLER BEARING PX

- Tapered or Straight Roller Bearing available add T or R to suffix.

- See wheel section for additional durometers.



Part Number Swivel Caster	Part Number Rigid Caster	Wheel Diameter (inch)	Tread Width (inch)	Load Capacity (lbs)	Overall Height (inch)	Swivel Lead (inch)
700PX08709	700PX08709R	8	4	3850	11	2-1/4
700PX10709	700PX10709R	10	4	4620	13	2-1/2
700PX10809	700PX10809R	10	5	5500	13	2-1/2
700PX12709	700PX12709R	12	4	5820	15-1/2	3-1/4
700PX12809	700PX12809R	12	5	6600	15-1/2	3-1/4
700PX16709	700PX16709R	16	4	6570	19	4-1/2
700PX16809	700PX16809R	16	5	8470	19	4-1/2

9 700 KINGPINLESS CASTERS

V-GROOVED DROP FORGED ROLLER BEARING TAPERED ROLLER BEARING

VF

Part Number Swivel Caster	Part Number Rigid Caster	Wheel Diameter (inch)	Tread Width (inch)	Load Capacity (lbs)	Overall Height (inch)	Swivel Lead (inch)
700VF08709	700VF08709R	8	4	10,000	11	2-1/4
700VF10709	700VF10709R	10	4	8350	13	2-1/2



V-GROOVED HEAVY DUTY DROP FORGED STEEL ROLLER BEARING

VH

Part Number Swivel Caster	Part Number Rigid Caster	Wheel Diameter (inch)	Tread Width (inch)	Load Capacity (lbs)	Overall Height (inch)	Swivel Lead (inch)
700VH08709	700VH08709R	8	4	15,000	11	2-1/4
700VH10709	700VH10709R	10	4	15,000	13	2-1/2



DROP FORGED STEEL ROLLER BEARING

FS

• Tapered (09)

Part Number Swivel Caster	Part Number Rigid Caster	Wheel Diameter (inch)	Tread Width (inch)	Load Capacity (lbs)	Overall Height (inch)	Swivel Lead (inch)
700FS08709	700FS08709R	8	4	10,000	11	2-1/4
700FS10709	700FS10709R	10	4	10,000	13	2-1/2



HEAVY DUTY LARGE BORE DROP FORGED STEEL ROLLER BEARING

FH

• Tapered (09)

Part Number Swivel Caster	Part Number Rigid Caster	Wheel Diameter (inch)	Tread Width (inch)	Load Capacity (lbs)	Overall Height (inch)	Swivel Lead (inch)
700FH08709	700FH08709R	8	4	20,000	11	2-1/4
700FH10709	700FH10709R	10	4	20,000	13	2-1/2



SEE WHEEL SECTION FOR OTHER WHEELS AVAILABLE



9 850 DUAL WHEEL KINGPINLESS CASTERS



20,000 LBS. LOAD CAPACITY KINGPINLESS TYPE CASTERS

- **Raceway Design:** Patented Kingpinless single ball bearing precision machined raceway hardened to 53 Rockwell C minimum. Swivel section features a 3" diameter raceway with 1/2" ball bearings. The notched yoke is standard.
- **Finish:** Laguna Blue paint.
- **Yoke Base:** Harden C1040 steel.
- **Legs:** 3/8" formed steel. Center leg support is added for increased strength.
- **Wheels:** All wheels are 3 and 4" wide with precision bearings for minimal maintenance.
- **Axle:** 3/4" and 1" bolt, locking nut and lubrication fittings.
- Alternate or custom caster configurations available.

BRAKE OPTIONS

CWB Cam Wheel Brake

SWIVEL RIG OPTIONS

HT High Temperature Lubrication

LT Low Temperature Lubrication

DSL Demountable Swivel Lock

SL Swivel Lock

SR Sealed Swivel Raceway

TG Thread Guard

TYPICAL APPLICATIONS

- Custom applications
- Towable transportation equipment
- Aircraft wing jack and dollies
- Aircraft assembly fixtures
- Aircraft work platform stands

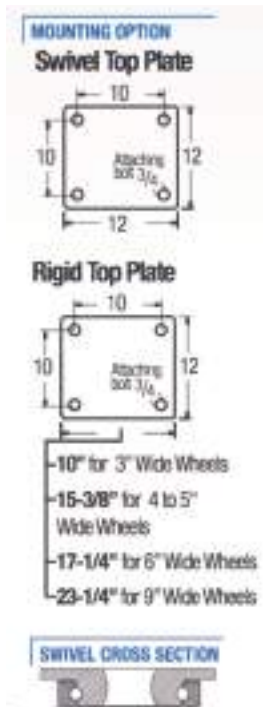
TOP PLATE: (STANDARD)

Plate Size: 6-1/4" x 7-1/2"

Bolt Holes: 4-1/2" x 6"
slotted to
4-1/8" x 6-1/8"

Bolt Size: 1/2"

To order a rigid caster, change the "S" to "R" in the model number. Dimensions shown are nominal. If precise dimensions are required, consult Acorn™. For approximate weight of our rigid casters, deduct 3.9 pounds.



**NYLACRON™ WHEELS
PRECISION BALL BEARINGS
NY/MD**

- Precision Machined from Cast Polyamide. Hardness 112-120 Rockwell R.
- Ultimate choice for Extremely High Load applications to replace metallic wheels.
- Offer very high abrasion resistance and very low rolling resistance under extreme loads.
- Resistant to salt, grease, alcohol and mild acids - can be used in corrosive applications with appropriate bearings.
- Large Precision Ball Bearings.
- Temperature Range: -40°F to +270°F.



Part Number Swivel Caster	Part Number Rigid Caster	Wheel Diameter (inch)	Tread Width (inch)	Load Capacity (lbs)	Overall Height (inch)	Swivel Part Number Add B, P, PL, R or T*	
						Swivel Lead (inch)	Wt. (lbs)
850S63NYMD	850R63NYMD	6	3	20,000	8-3/4	1-9/16	32
850S83NYMD	850R83NYMD	8	3	20,000	10-3/4	2-1/16	35
850S1030NYMD	850R1030NYMD	10	3	20,000	12-3/4	2-9/16	40
850S1230NYMD	850R1230NYMD	12	3	20,000	15-1/2	3-7/16	42
850S84NYMD	850R84NYMD	8	4	20,000	10-3/4	2-1/16	42
850S1040NYMD	850R1040NYMD	10	4	20,000	12-3/4	2-9/16	44
850S1020NYMD	850R1020NYMD	12	4	20,000	15-1/2	3-7/16	52



Nylacron™ Wheels

With Precision Ball Bearings for Any Application
(also available in black, blue, white & red)

Nylacron™ wheels with proper sized precision bearings are made to fit in any rig hub length and axle size. Nylacron™ wheels have greater load capacity ratings with better rollability while requiring less maintenance and have longer life.

**SEE NYLACRON™ WHEEL SECTION
FOR CUSTOM SIZES & SHAPES.**

Caster Type

Page

125 Kingpinless Casters.....2-3
2-125 Dual Wheel Kingpinless Casters4-5

ALL WHEELS ARE AVAILABLE WITH
PRECISION BALL BEARING, CENTERPIECE & END CAPS
FOR MANUAL OR TOWING TO FIT IN 3-1/2" HUB LENGTH RIGS.
See Wheel Section for complete selection.

17,000 LBS. LOAD CAPACITY KINGPINLESS TYPE CASTERS



- **Top Plate:** 3/4" thick AISI 1045 steel one-piece forging precision machined and through-hardened for longer life.
- **Swivel Section:** Patented Kingpinless single ball bearing precision machined raceway hardened to 53 Rockwell C Minimum, 7" diameter raceway with 3/4" diameter ball bearings.
- **Legs:** 1/2" thick through-hardened steel welded to yoke base using 100,000 psi weld filler.
- **Axle:** 1-1/4" diameter.
- **Finish:** Zinc plated.
- Alternate or custom caster configurations available.

OPTIONS

- DSL** Demountable Swivel Lock
- HDSL** Heavy Duty Demountable Swivel Lock
- FCWB** Face Contact Wheel Brake
- HT** High Temperature Lubrication
- LT** Low Temperature Lubrication
- NY** Notched Yoke
- PCWB** Poly Cam Wheel Brake
- SL** Swivel Lock
- SR** Sealed Swivel Raceway
- WS** Wheel Seals
- ZP** Zinc Plated



**TOE GUARDS
AVAILABLE
TO**

MOUNTING PLATE OPTIONS**TOP PLATE: (STANDARD)**

Plate Size: 8-1/2" x 8-1/2"

Bolt Holes: 7" x 7"

Bolt Size: 5/8"

RIGID LL

Plate Size: 8-1/2" x 11"

Bolt Holes: 7" x 9-3/4"

Bolt Size: 5/8"

Add options to end of part number.

TYPICAL APPLICATIONS

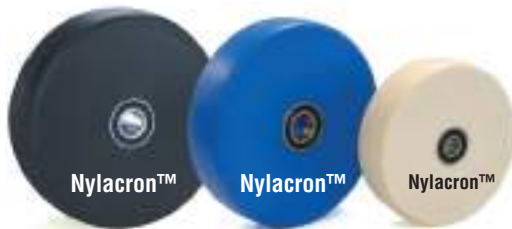
- Two lines
- Utility carts
- Platform trucks
- Boat and ship building
- Heavy machinery & equipment
- Tractor pulled trailers
- Heavy duty applications

**NYLACRON™ WHEELS
PRECISION BALL BEARING
NY/MD**

- Precision Machined from Cast Polyamide. Hardness 112-120 Rockwell R.
- Ultimate choice for Extremely High Load applications to replace metallic wheels.
- Offer very high abrasion resistance and very low rolling resistance under extreme loads.
- Resistant to salt, grease, alcohol and mild acids - can be used in corrosive applications with appropriate bearings.
- Large Precision Ball Bearings.
- Temperature Range: -40°F to +270°F.



Part Number Swivel Caster	Part Number Rigid Caster	Wheel Diameter (inch)	Tread Width (inch)	Load Capacity (lbs)	Overall Height (inch)	Swivel Part Number Add B, P, PL, R or T*	
						Swivel Lead (inch)	Wt. (lbs)
125S84NYMD	125R84NYMD	8	4	17,000	11-1/2	2-3/16	60
125S104NYMD	125R104NYMD	10	4	17,000	13	2-9/16	72
125S105NYMD	125R105NYMD	10	5	17,000	13	2-9/16	75
125S115NYMD	125R115NYMD	11	5	17,000	14	2-5/8	80
125S116NYMD	125R116NYMD	11	6	17,000	14	2-3/4	82
125S124NYMD	125R124NYMD	12	4	17,000	15-1/2	3-3/8	78
125S125NYMD	125R125NYMD	12	5	17,000	15-1/2	3-3/8	82
125S126NYMD	125R126NYMD	12	6	17,000	15-1/2	3-3/8	84
125S144NYMD	125R144NYMD	14	4	17,000	18	3-11/16	90
125S145NYMD	125R145NYMD	14	5	17,000	18	3-11/16	92
125S146NYMD	125R146NYMD	14	6	17,000	18	3-11/16	94
125S164NYMD	125R164NYMD	16	4	17,000	19	3-9/16	96
125S165NYMD	125R165NYMD	16	5	17,000	19	3-9/16	98
125S185NYMD	125R185NYMD	18	5	17,000	22	4-1/4	100
125S205NYMD	125R205NYMD	20	5	17,000	23	4-1/4	104



Nylacron™ Wheels

With Precision Ball Bearings for Any Application
(also available in black, blue, white & red)

Nylacron™ wheels with proper sized precision bearings are made to fit in any rig hub length and axle size. Nylacron™ wheels have greater load capacity ratings with better rollability while requiring less maintenance and have longer life.

SEE NYLACRON™ WHEEL SECTION
FOR CUSTOM SIZES & SHAPES.



30,000 LBS. LOAD CAPACITY KINGPINLESS TYPE CASTERS

- **Raceway Design:** Patented Kingpinless single ball bearing precision machined raceway hardened to 53 Rockwell C. Minimum. 7" diameter raceway with 3/4" diameter ball bearings
- **Axle:** 1-1/4" bolt with rotation prevent lug on leg and slotted nut adjustment.
- **Finish:** Laguna Blue paint.
- **Wheels:** Wheels are either 4", 5" or 6" wide depending upon diameter and wheel type. Roller bearing wheels are equipped with a bearing which rotates on hardened and ground spanners. Tapered bearing wheels have a 1-1/4" I.D. tapered bearing which rotate directly on a 1-1/4" axle. All wheels have lubrication fittings.
- **Mounting Plate Size:** 8-1/2" x 8-1/2" x 1/2"
- **Bolt Hole Spacing:** 7" x 7"
- **Mounting Bolt Diameter:** 5/8"
- **Leg Thickness:** 1/2" thick including the center leg.

RIG OPTION CODES

DSL*	Demountable Swivel Lock*
HDSL	Heavy Duty Demountable Swivel Lock
HT	High Temperature Lubrication
LT	Low Temperature Lubrication
NY	Notched Yoke
PCWB	Poly Cam Wheel Brake
SL	Swivel Lock
SR	Sealed Swivel Raceway
WS	Wheel Seals
ZP	Zinc Plated

*When ordering DSL, you must also order NY.

MOUNTING PLATE (SWIVEL/RIGID)

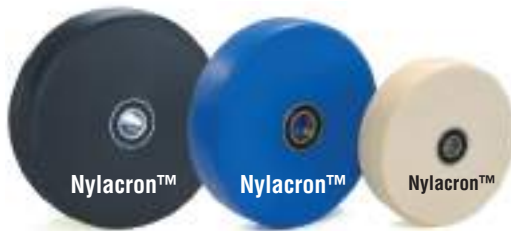
Top Plate	Plate Size	Bolt Hole Spacing	Bolt Size
STANDARD	8-1/2" x 8-1/2"	7" x 7"	5/8"
OPTIONAL	8-1/2" x 11"	7" x 9-3/4"	5/8"

**NYLACRON™ WHEELS
PRECISION BALL BEARING
NY/MD**

- Precision Machined from Cast Polyamide. Hardness 112-120 Rockwell R.
- Ultimate choice for Extremely High Load applications to replace metallic wheels.
- Offer very high abrasion resistance and very low rolling resistance under extreme loads.
- Resistant to salt, grease, alcohol and mild acids - can be used in corrosive applications with appropriate bearings.
- Large Precision Ball Bearings.
- Temperature Range: -40°F to +270°F.



Part Number Swivel Caster	Part Number Rigid Caster	Wheel Diameter (inch)	Tread Width (inch)	Load Capacity (lbs)	Overall Height (inch)	Swivel Part Number Add B, P, PL, R or T*	
						Swivel Lead (inch)	Wt. (lbs)
2-125S84NYMD	2-125R84NYMD	8	4	17,000	11-1/2	2-3/16	60
2-125S104NYMD	2-125R104NYMD	10	4	17,000	13	2-9/16	72
2-125S105NYMD	2-125R105NYMD	10	5	17,000	13	2-9/16	75
2-125S115NYMD	2-125R115NYMD	11	5	17,000	14	2-5/8	80
2-125S116NYMD	2-125R116NYMD	11	6	17,000	14	2-3/4	82
2-125S124NYMD	2-125R124NYMD	12	4	17,000	15-1/2	3-3/8	78
2-125S125NYMD	2-125R125NYMD	12	5	17,000	15-1/2	3-3/8	82
2-125S126NYMD	2-125R126NYMD	12	6	17,000	15-1/2	3-3/8	84
2-125S144NYMD	2-125R144NYMD	14	4	17,000	18	3-11/16	90
2-125S145NYMD	2-125R145NYMD	14	5	17,000	18	3-11/16	92
2-125S146NYMD	2-125R146NYMD	14	6	17,000	18	3-11/16	94
2-125S164NYMD	2-125R164NYMD	16	4	17,000	19	3-9/16	96
2-125S165NYMD	2-125R165NYMD	16	5	17,000	19	3-9/16	98
2-125S185NYMD	2-125R185NYMD	18	5	17,000	22	4-1/4	100
2-125S205NYMD	2-125R205NYMD	20	5	17,000	23	4-1/4	104



Nylacron™ Wheels

**With Precision Ball Bearings for Any Application
(also available in black, blue, white & red)**

Nylacron™ wheels with proper sized precision bearings are made to fit in any rig hub length and axle size. Nylacron™ wheels have greater load capacity ratings with better rollability while requiring less maintenance and have longer life.

**SEE NYLACRON™ WHEEL SECTION
FOR CUSTOM SIZES & SHAPES.**

WHEELS	Page
Nylacron™	4-17
Vulkollan®	20
Load/Drive wheels	22-23
Heavy Duty wheels	24-25
Pallet rollers	26-27
Press-On Tires	28-29
Pallet rollers	30
Premium Urethane/Polyurethane Wheels	31
Premium Urethane/Premium Soft	32-34
Swivel-Eaz™	36-37
Polyurethane/Cast Iron	38-42
Polyurethane/Aluminum	43-44
Polyurethane	45-56
Solid Polyurethane Wheels	57
Krypton™	58
Solid Elastomer	59-62

WHEELS	Page
Engineered Plastic Wheels	63
Nylacron™ Wheels Euro Dimensions	64
Electrically Conductive Wheels	65
Nylacron™ Pallet Rollers	66
Nylacron™ Conveyor Rollers	67-68
Urethane Wheels	69-70
Plastic Wheels	71
Nylon/Glass- Filled	72
Hi-Temp Nylon/Heateater	73
Lava™ Wheels	74
Polypropylene	75
Retort	76
Plastic Wheels	77
Rubber Wheels	79
Elastic Rubber/Aluminum	80-81
Moldon Rubber/Cast Iron	82-83
Moldon Rubber/Aluminum	84-85
X-tra Soft Rubber	86-88
Rubber/Polypropylene Core	89-90
Rubber Wheels	91-94
Phenolic	95
Phenolic	96-99
Metal Wheels	101
Forged Steel	102-103
Ductile Iron	104-105
Cast Iron	106-109
Steel Wheels	110-112
Stainless Steel	113
Pneumatic Wheels	115
Pneumatic	116-118

Call Acorn™ for Information

INNOVATORS OF THE NYLACRON™ WHEEL





NYLACRON™ WHEELS



NYLACRON™ WHEELS

**1/3 THE WEIGHT OF STEEL
& THE SAME LOAD CAPACITY
MADE IN USA**

**AVAILABLE IN
FLANGED, V-GROOVE
& CUSTOM DESIGNS**

	PAGE
Nylacron™	4-17

NYLACRON™ WHEELS



All information is based on Acorn's over 20 years experience working with the producers of the cast polyamides to successfully provide Nylacron™ wheels for the industries where the properties of this material offers many benefits.

NYLACRON™ WHEELS ARE ALSO AVAILABLE IN FLANGED / V-GROOVE AND CUSTOM SIZES TO 51" DIAMETER TO MEET JOB REQUIREMENTS.

Nylacron™ Wheels design and manufactured by Acorn™ available in any size to fit any caster rig or wheel application and replace any type wheel.



STANDARD U.S. CASTER WHEEL SIZES

Dia. (inch)	Width (inch)	Capacity (lbs)	Hub Length (inch)	Axle Bore (inch)	Wheel Part Number*
3	1-1/4	440	1-1/2	3/8	NY/MDP031206
4	1-1/4	550	1-1/2	3/8	NY/MDP041206
5	1-1/4	660	1-1/2	3/8	NY/MDP051206
6	1-1/4	770	1-1/2	3/8	NY/MDP061206
3	2	1000	2-3/16	1/2	NY/MDP032008
4	2	2000	2-3/16	1/2	NY/MDP042008
5	2	2000	2-3/16	1/2	NY/MDP052008
6	2	2000	2-3/16	1/2	NY/MDP062008
8	2	2400	2-3/16	1/2	NY/MDP082008
6	2-1/2	5000	2-3/4	1/2	NY/MDP062508
6	2-1/2	7200	3-1/4	3/4	NY/MDP062512
6	3	10,000	3-1/2	3/4	NY/MDP063012
8	2-1/2	7000	3	1/2	NY/MDP082508
8	2-1/2	7200	3-1/4	3/4	NY/MDP082512
8	3	10,000	3-1/2	3/4	NY/MDP083012
8	3	10,000	3-1/2	1	NY/MDP083016
8	4	10,000	4-1/2	1-1/4	NY/MDP084020
10	2-1/2	7200	2-3/4	1/2	NY/MDP102508
10	2-1/2	7200	3	3/4	NY/MDP102508
10	3	10,000	3-1/2	3/4	NY/MDP103012
10	4	12,000	4-1/2	1	NY/MDP104016
10	4	12,000	4-1/2	1-1/4	NY/MDP104020
12	2-1/2	8000	3	3/4	NY/MDP122512
12	3	11,000	3-1/2	3/4	NY/MDP123012
12	4	14,000	4-1/2	1	NY/MDP124016
12	4	14,000	4-1/2	1-1/4	NY/MDP124020
12	5	18,000	5-1/2	1-1/4	NY/MDP125020

*Change NY/MD in the Wheel Part Number to NY/HSB for High Temp.

Capacities can be increased by increasing the size of the precision bearings or by providing double row precision bearings.

End caps provided with each wheel to fit in rig width and size of the axle.

Can be made to metric sizes.

NYLACRON™ WHEELS NY/MD AND NY/HSB

Capacity Up to 26,400 lbs.



Heavy Duty Nylacron™ Wheels are made of tough, hard, highly compressed cast polyamide, MD (MoS₂) filled or heat stabilized (high temp blue) to replace Steel, Phenolic, Solid Elastomer and Urethane Wheels, where very high load capacities, floor protection, low rolling resistance, impact proof, corrosive resistance and floor conditions allow. The casting process increases the load capacity compared to injection-molded nylon and has better properties in regard to tension and pressure, modulus of elasticity, thermoform stability, coefficient of friction, flow properties and absorption of humidity.

Any size and type precision tapered or ball bearing available.

Features

- **Ergonomic:** Extraordinarily easy to push - no more backaches - less power to tow.
- **Wheels:** Wheel dampens shock and vibration thus reducing noise.
- **High Impact Strength:** Resists fracture from repeated shock loads.
- **Higher Loads:** Mechanical strength supports greater weight and allows better utilization in caster rigs.
- **Higher Resilience:** Wheel returns to original shape without deforming when deflected by loads or rapidly applied stresses.
- **High Caster Ratings:** Higher wheel ratings allow better utilization of caster rig ratings.
- **Floor Protective:** Material does not damage floors and is lighter in weight than steel.
- **Longer Life:** Shows minimal wear in extended use—resists abrasion, water and many hazardous chemicals. Ideal for stainless steel rig applications.
- **Lower Maintenance:** Sealed precision bearings and wheels greatly reduce in-plant maintenance requirements. Only one type wheel needed.
- **Hardness:** 112-120 Rockwell R
- **Temperature range:** - 30 to + 220 ° F Continuous - 30 to + 400 ° F Continuous NY/HT (3" to 8")
- **Chemical Resistance:** See chart for wide range of chemical resistance.

Applications

- Aerospace
- AGV
- Amusement Rides
- Automotive
- Bakeries
- Chemical Plants
- Conveyor
- Crane
- Dairy
- Fisheries
- Food
- Meat Processing
- Monorail Conveyors
- Pharmaceutical
- Retrieval Systems
- Storage Racks
- Towlines
- Turning Platforms

NYLACRON™ MC (NY/MC)

Capacity Up to 26,400 lbs.



Nylacron™ Monocast (NY/MC) Natural Wheels

are an unfilled cast type 6 nylon developed on proven in the field for FDA application requirements. Wheels are straight sided and precision machined on CNC equipment to exact tolerances and comply with section 177.1500 of food additive regulations. Stainless steel precision ball bearings are available for every wheel. Other than the type material, loadings and other characteristics are similar to Nylacron™ MD.

Any size and type precision tapered or ball bearing available.

Features

- **Ergonomic:** Extraordinarily easy to push. No more backaches - less power to tow.
- **Quiet:** Wheel dampens shock and vibration thus reducing noise.
- **High Impact Strength:** Resists fracture from repeated shock loads.
- **Higher Loads:** Mechanical strength supports greater weight and allows better utilization in caster rigs.
- **Higher Resilience:** Wheel returns to original shape without deforming when deflected by loads or rapidly applied stresses.
- **High Caster Ratings:** Higher wheel ratings allow better utilization of caster rig ratings.
- **Floor Protective:** Material does not damage floors and is lighter in weight than steel.
- **Longer Life:** Shows minimal wear in extended use. Resists abrasion, water and many hazardous chemicals. Ideal for stainless steel rig applications.
- **Lower Maintenance:** Sealed precision bearings and wheels greatly reduce in-plant maintenance requirements. Only one type wheel needed.
- **Hardness:** 112-120 Rockwell R.
- **Temperature range:** - 30 to + 220 ° F Continuous.
- **Chemical Resistance:** See chart for wide range of chemical resistance.

Applications

- Aerospace
- AGV
- Amusement Rides
- Automotive
- Bakeries
- Chemical Plants
- Conveyor
- Crane
- Dairy
- Fisheries
- Food
- Meat Processing
- Monorail Conveyors
- Pharmaceutical
- Retrieval Systems
- Storage Racks
- Towlines
- Turning Platforms

All information is based on Acorn's 20 years experience working with the producers of the cast polyamides to successfully provide Nylacron™ wheels for the industries where the properties of this material offers many benefits.

NATURAL WHEELS ARE ALSO AVAILABLE IN FLANGED / V-GROOVE AND CUSTOM SIZES TO 51" DIAMETER TO MEET JOB REQUIREMENTS.

Nylacron™ Wheels design and manufactured by Acorn™ available in any size to fit any caster rig or wheel application and replace any type wheel.

Dia. (inch)	Width (inch)	Capacity (lbs)	Hub Length (inch)	Axle Bore (inch)	Wt. (lbs)	Wheel Part Number
3	1-1/4	440	1-1/2	3/8	1	NY/MCP032506
4	1-1/4	550	1-1/2	3/8	1.5	NY/MCP042506
5	1-1/4	660	1-1/2	3/8	2	NY/MCP052506
6	1-1/4	770	1-1/2	3/8	3	NY/MCP062506
3	2	1000	2-3/16	1/2	1.5	NY/MCP032008
4	2	2000	2-3/16	1/2	2	NY/MCP042008
5	2	2000	2-3/16	1/2	3	NY/MCP052008
6	2	2000	2-3/16	1/2	4	NY/MCP0620-08
8	2	2400	2-3/16	1/2	5	NY/MCP082008
6	2-1/2	5000	2-3/4	1/2	5	NY/MCP062508
6	2-1/2	7200	3-1/4	3/4	5	NY/MCP062512
6	3	10,000	3-1/2	3/4	6	NY/MCP063012
8	2-1/2	7000	3	1/2	6	NY/MCP082508
8	2-1/2	7200	3-1/4	3/4	6	NY/MCP082512
8	3	10,000	3-1/2	3/4	8	NY/MCP083012
8	3	10,000	3-1/2	1	8	NY/MCP083016
8	4	10,000	4-1/2	1-1/4	9	NY/MCP084020
10	2-1/2	7200	2-3/4	1/2	7	NY/MCP102508
10	2-1/2	7200	3	3/4	7	NY/MCP102512
10	3	10,000	3-1/2	3/4	8	NY/MCP103012
10	4	12,000	4-1/2	1	9	NY/MCP104016
10	4	12,000	4-1/2	1-1/4	9	NY/MCP104020
12	2-1/2	8000	3	3/4	8	NY/MCP122512
12	3	11,000	3-1/2	3/4	9	NY/MCP123012
12	4	14,000	4-1/2	1	10	NY/MCP124016
12	4	14,000	4-1/2	1-1/4	10	NY/MCP124020
12	5	18,000	3	1-1/4	11	NY/MCP125020

CAPACITIES CAN BE INCREASED BY INCREASING THE SIZE OF THE PRECISION BEARINGS OR BY PROVIDING DOUBLE ROW PRECISION BEARINGS.

NYLACRON™ MD/FLANGED NY/NL & NY/ND

Capacity Up to 3000 lbs.



Nylacron™ Wheel
Available as Single Flanged
or Double Flanged

Heavy Duty Nylacron™ Flanged Wheels are straight sided and designed to operate quietly on steel track. All are precision machined on CNC equipment for concentricity and ensure proper tracking. Wheels are made of tough, hard, highly compressed cast polyamide, (MoS₂) filled, heat stabilized and designed to replace Steel, Phenolics, Solid Elastomers and Urethane Wheels in flanged applications, where very high load capacities, low rolling resistance, impact proof, corrosive resistance and speed conditions allow.

Custom requirements to drawings available.

Any size and type precision tapered or ball bearing available.

Features

- **Ergonomic:** Extraordinarily easy to push. No more backaches - less power to tow.
- **Quiet:** Wheel dampens shock and vibration thus reducing noise.
- **High Impact Strength:** Resists fracture from repeated shock loads.
- **Higher Loads:** Mechanical strength supports greater weight and allows better utilization in caster rigs.
- **Higher Resilience:** Wheel returns to original shape without deforming when deflected by loads or rapidly applied stresses.
- **High Caster Ratings:** Higher wheel ratings allow better utilization of caster rig ratings.
- **Floor Protective:** Material does not damage floors and is lighter in weight than steel.
- **Longer Life:** Shows minimal wear in extended use. Resists abrasion, water and many hazardous chemicals. Ideal for stainless steel rig applications.
- **Lower Maintenance:** Sealed precision bearings and wheels greatly reduce in-plant maintenance requirements. Only one type wheel needed.
- **Hardness:** 112-120 Rockwell R.
- **Temperature range:** - 30 to + 220 ° F Continuous.
- **Chemical Resistance:** See chart for wide range of chemical resistance.

Applications

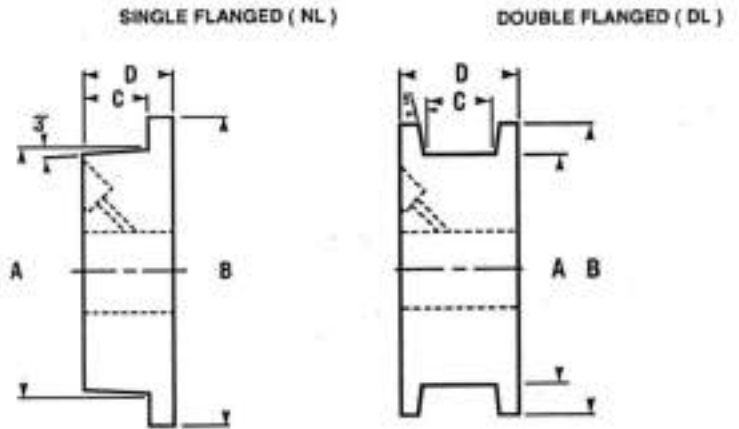
- Aerospace
- Amusement Rides
- Automotive
- Bakeries
- Dairy
- Meat Processing
- Fisheries
- Food Processing
- Pharmaceutical
- Turning Platforms
- Towlines

NYLACRON™ MD/FLANGED

All information is based on Acorn's 20 years experience working with the producers of the cast polyamides to successfully provide Nylacron™ wheels for the industries where the properties of this material offers many benefits.

Nylacron™ Wheels design and manufactured by Acorn™ available in any size to fit any caster rig or wheel application and replace any type wheel.

STANDARD FLAT
3 DEG SLOPE OPTIONAL



Face Dia. A	Flange OD B	Flange Width C	OAW Width D	Hub Length (inch)	Material Type	Load Capacity (lbs)	Axle Size (inch)	Approx Weight (lbs)	Part Number (P) Prec Ball Brg (T) Tapered Brg
5"	6"	1-3/4"	2"	2-3/16"	Nylacron™	1300	1/2	3	NY/NLP052012
5"	6"	1-3/4"	2"	2-3/16"	Nylacron™	1300	1/2	3	NY/NLT052008
5"	6"	1"	1-1/2"	2-3/16"	Nylacron™	1100	1/2	3	NY/DLP051512
5"	6"	1"	1-1/2"	2-3/16"	Nylacron™	1100	1/2	3	NY/HLT051508
6"	6-3/4"	1-3/4"	2"	2-3/16"	Nylacron™	1600	1/2	4	NY/NLP062012
6"	6-3/4"	1-3/4"	2"	2-3/16"	Nylacron™	1600	1/2	4	NY/NLT062008
8"	9-1/2"	2"	2-1/2"	2-3/4"	Nylacron™	2500	3/4	7	NY/NLP082516
8"	9-1/2"	2"	2-1/2"	2-3/4"	Nylacron™	2500	3/4	7	NY/NLT082512
10"	12"	2-5/8"	3"	3-1/4"	Nylacron™	3000	3/4	8	NY/NLP103016
10"	12"	2-5/8"	3"	3-1/4"	Nylacron™	3000	3/4	8	NY/NLT103012
10"	12"	2-1/4"	3"	3-1/4"	Nylacron™	2000	3/4	8	NY/DLP103016
10"	12"	2-1/4"	3"	3-1/4"	Nylacron™	2000	3/4	8	NY/HLT105012

CAPACITIES CAN BE INCREASED BY INCREASING THE SIZE OF THE PRECISION BEARINGS OR BY PROVIDING DOUBLE ROW PRECISION BEARINGS.

Nylacron™ Wheels can be made to any steel or cast iron size.

NYLACRON™ MONOCAST/ V-GROOVE - NY/MC/VG

Capacity Up to 26,00 lbs.



Nylacron™ Monocast (NY/MC/VG) V-Groove Wheels are straight sided and designed to operate quietly on steel track. All are precision machined on CNC equipment for concentricity and ensure proper tracking. Wheels are made of tough hard, highly compressed cast polyamide, (MoS₂) filled, heat stabilized and designed to replace Steel, Phenolics, Solid Elastomers and Urethane Wheels in V-groove applications where very high load capacities, low rolling resistance, impact proof, corrosive resistance and speed conditions allow.

Available in black MD

CUSTOM REQUIREMENTS TO DRAWINGS ARE AVAILABLE.

Any size and type precision tapered or ball bearing available.

Features

- **Ergonomic:** Extraordinarily easy to push. No more backaches - less power to tow.
- **Quiet:** Wheel dampens shock and vibration thus reducing noise.
- **High Impact Strength:** Resists fracture from repeated shock loads.
- **Higher Loads:** Mechanical strength supports greater weight and allows better utilization in caster rigs.
- **Higher Resilience:** Wheel returns to original shape without deforming when deflected by loads or rapidly applied stresses.
- **High Caster Ratings:** Higher wheel ratings allow better utilization of caster rig ratings.
- **Floor Protective:** Material does not damage floors and is lighter in weight than steel.
- **Longer Life:** Shows minimal wear in extended use. Resists abrasion, water and many hazardous chemicals. Ideal for stainless steel rig applications.
- **Lower Maintenance:** Sealed precision bearings and wheels greatly reduce in-plant maintenance requirements. Only one type wheel needed.
- **Hardness:** 112-120 Rockwell R.
- **Temperature range:** - 30 to + 220 ° F Continuous.
- **Chemical Resistance:** See chart for wide range of chemical resistance.

Applications

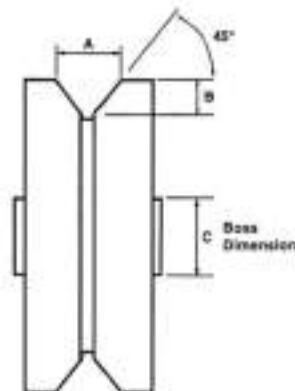
- Aerospace
- Amusement Rides
- Automotive
- Bakeries
- Dairy
- Meat Processing
- Fisheries
- Food Processing
- Pharmaceutical
- Turning Platforms
- Towlines

NYLACRON™ MC/V-GROOVE

All information is based on Acorn's 20 years experience working with the producers of the cast Polyamides to successfully provide Nylacron™ wheels for the industries where the properties of this material offers many benefits. **CAPACITIES CAN BE INCREASED BY INCREASING THE SIZE OF THE PRECISION BEARINGS OR BY PROVIDING DOUBLE ROW PRECISION BEARINGS.**

Nylacron™ Wheels design and manufactured by Acorn™ available in any size to fit any caster rig or wheel application and replace any type wheel.

Wheel Dia. A	Width B	V-Groove Width WV	V-Groove Depth DV	Hub Length (inch)	Material Type	Load Capacity (lbs)	Axle Size (inch)	Approx Weight (lbs)	Part Number (P) Precision Ball Bearings
4"	2"	7/8"	7/16"	2-7/16	(NV) Nylacron™	1000	1/2	2	NY/MC/VGP042012
5"	2"	7/8"	7/16"	2-7/16	(NV) Nylacron™	1300	1/2	3	NY/MC/VGP052012
6"	2"	7/8"	7/16"	2-7/16"	(NV) Nylacron™	1500	1/2	4	NY/MC/VGP062012
8"	2"	7/8"	7/16"	2-7/16"	(NV) Nylacron™	2000	1/2	6	NY/MC/VGP082012
8"	2-1/2"	7/8"	7/16"	2-3/4"	(NV) Nylacron™	2100	3/4	7	NY/MC/VGP082516
8"	2-1/2"	7/8"	7/16"	2-3/4"	(NV) Nylacron™	2100	3/4	7	NY/MC/VGP082516
10"	2-1/2"	7/8"	7/16"	2-3/4"	(NV) Nylacron™	2400	3/4	9	NY/MC/VGP102516
10"	2-1/2"	7/8"	7/16"	2-3/4"	(NV) Nylacron™	2400	3/4	9	NY/MC/VGP102512
8"	3"	1-3/8"	11/16"	3-1/2"	(NV) Nylacron™	2200	3/4	9	NY/MC/VGP083016
8"	3"	1-3/8"	11/16"	3-1/2"	(NV) Nylacron™	2200	3/4	9	NY/MC/VGP083016
10"	3"	1-3/8"	11/16"	3-1/2"	(NV) Nylacron™	2600	3/4	11	NY/MC/VGP103016
10"	3"	1-3/8"	11/16"	3-1/2"	(NV) Nylacron™	2600	3/4	11	NY/MC/VGP103012



NYLACRON WHEELS CAN BE MADE TO ANY STEEL OR CAST IRON STANDARD SEE FLANGED STEEL WHEEL SECTION FOR DIMENSIONS

WHITE NYLACRON™ WHEELS

EURO (MM) DIMENSIONS



NY/MC/1 SERIES

Item #	Diameter (mm)	Wheel Width (mm)	Hub Length (mm)	Hub Diameter (mm)	Bore Hole (mm)	Load Capacity (kg)
NYMC/040/033/1/10	40	33	35	17	10	80
NYMC/045/019/1/10	45	19	22	16	10	70
NYMC/050/017/1/10-1	50	17	20	26	10	150
NYMC/050/017/1/10-2	50	17	19	20	10	140
NYMC/050/019/1/06	50	19	27	13	06	100
NYMC/050/025/1/10	50	25	30	18	10	150
NYMC/060/020/1/10	60	20	25	20	10	150
NYMC/065/030/1/10	65	30	35	20	10	170
NYMC/070/030/1/10	70	30	40	25	10	200
NYMC/075/023/1/15	75	23	25	30	15	200
NYMC/080/035/1/15	80	35	37	30	15	300
NYMC/080/035/1/20	80	35	35	50	20	300
NYMC/100/030/1/10	100	30	40	35	10	300
NYMC/100/040/1/15	100	40	50	48	15	450
NYMC/100/050/1/15	100	50	60	55	15	600
NYMC/125/040/1/15	125	40	53	60	15	600
NYMC/125/050/1/15	125	50	60	56	15	700
NYMC/125/050/1/20	125	50	60	56	20	700
NYMC/150/040/1/15	150	40	50	35	15	450
NYMC/150/040/1/20	150	40	53	65	20	700
NYMC/150/050/1/20-1	150	50	55	65	20	600
NYMC/150/050/1/20-2	150	50	60	62	20	800
NYMC/160/050/1/20	160	50	60	63	20	850
NYMC/175/040/1/20	175	40	57	65	20	800
NYMC/175/050/1/20	175	50	55	65	20	750
NYMC/200/040/1/15	200	40	50	45	15	750
NYMC/200/040/1/20	200	40	58	65	20	1.000
NYMC/200/050/1/20-1	200	50	55	65	20	1.000
NYMC/200/050/1/20-2	200	50	60	65	20	1.200
NYMC/200/050/1/25	200	50	60	65	25	1.200
NYMC/250/050/1/20	250	50	60	65	20	1.500
NYMC/250/050/1/25	250	50	60	65	25	1.500
NYMC/250/060/1/25	250	60	65	90	25	1.500
NYMC/300/060/1/30	300	60	70	92	30	2.000

25.4 mm = 1 inch 1 kg = 2.2 lbs

All wheels can be adapted to fit in U.S. caster rigs.

NYLACRON™ wheels with plain bearing.
High-quality thermoplastic polyamide. Wheels in heavy-duty design with maintenance-free plain bearing.

WHITE NYLACRON™ WHEELS

EURO (MM) DIMENSIONS



NY/MC/5 SERIES

Item #	Diameter (mm)	Wheel Width (mm)	Hub Length (mm)	Fixing Length (mm)	Hub Diameter (mm)	Bore Hole (mm)	Load Capacity (kg)
NYMC/080/035/5/15	80	35	35	33	50	12	300
NYMC/100/040/5/12	100	40	50	43	48	12	450
NYMC/100/040/5/17	100	40	50	50	48	17	450
NYMC/100/050/5/20	100	50	60	60	55	20	600
NYMC/120/050/5/20	120	50	58	56	58	20	600
NYMC/125/040/5/20	125	40	53	53	60	20	600
NYMC/125/050/5/20	125	50	60	62	70	20	700
NYMC/150/040/5/20	150	40	53	51	65	20	700
NYMC/150/050/5/12	150	50	55	60	65	15	600
NYMC/150/050/5/20-1	150	50	55	53	65	20	600
NYMC/150/050/5/20-2	150	50	60	62	76	20	800
NYMC/160/040/5/20	160	40	60	58	60	20	600
NYMC/175/050/5/20	175	50	55	53	65	20	800
NYMC/200/050/5/12	200	50	55	60	65	15	1.000
NYMC/200/050/5/20	200	50	60	60	85	20	1.200
NYMC/200/065/5/25	200	65	74	72	80	25	1.300
NYMC/250/050/5/25	250	50	60	60	92	25	1.500
NYMC/250/060/5/25	250	60	65	63	90	25	1.500
NYMC/300/060/5/25	300	60	70	68	93	25	2.000

NYLACRON™ wheels with ball bearing. High-quality thermoplastic polyamide. Wheels in heavy-duty design with ball bearing.

25.4 mm = 1 inch 1 kg = 2.2 lbs

CUSTOM SIZES AVAILABLE

All wheels can be adapted to fit in U.S. caster rigs.

HEAVY DUTY INDUSTRIAL STAINLESS STEEL CASTERS WITH NYLACRON™ WHEELS EURO (MM) DIMENSIONS



NR SERIES

NRS SERIES

**NS Heavy-Duty
Stainless Steel
SWIVEL CASTER
NYLACRON™
WHEELS.**

**NR Heavy-Duty
Stainless Steel
RIGID CASTER
NYLACRON™
WHEELS.**

**NTL Heavy-Duty
Stainless Steel
TOTAL LOCK
CASTER
NYLACRON™
WHEELS.**

Item #	Diameter (mm)	Wheel Width (mm)	Overall Height (mm)	Top Plate Size (mm)	Bolt Hole Spacing (mm)	Bolt Hole Diameter (mm)	Offset (mm)	Load Capacity (kg)
NSSS/080/35/5L	80	35	118	105 x 85	80 x 60	9	40	300
NSSS/100/40/5L	100	40	140	105 x 85	80 x 60	9	45	350
NSSS/100/50/5L	100	50	148	135 x 110	105 x 80	11	50	600
NSSS/125/40/5L	125	40	165	105 x 85	80 x 60	9	45	350
NSSS/125/50/5	125	50	178	135 x 110	105 x 80	11	50	700
NSSS/150/50/5	150	50	205	135 x 110	105 x 80	11	50	750
NSSS/175/50/5	175	50	228	135 x 110	105 x 80	11	50	750
NSSS/200/50/5	200	50	250	135 x 110	105 x 80	11	55	750
NSSS/250/50/5	250	50	307	160 x 120	160 x 120	15	63	1.000
NSSS/300/60/5	300	60	347	160 x 120	160 x 120	15	73	1.400

Item #	Diameter (mm)	Wheel Width (mm)	Overall Height (mm)	Top Plate Size (mm)	Bolt Hole Spacing (mm)	Bolt Hole Diameter (mm)	Offset (mm)	Load Capacity (kg)
NRSS/080/35/5L	80	35	118	105 x 85	80 x 60	9	40	300
NRSS/100/40/5L	100	40	140	105 x 85	80 x 60	9	45	350
NRSS/100/50/5L	100	50	148	135 x 110	105 x 80	11	50	600
NRSS/125/40/5L	125	40	165	105 x 85	80 x 60	9	45	350
NRSS/125/50/5	125	50	178	135 x 110	105 x 80	11	50	700
NRSS/150/50/5	150	50	205	135 x 110	105 x 80	11	50	750
NRSS/175/50/5	175	50	228	135 x 110	105 x 80	11	50	750
NRSS/200/50/5	200	50	250	135 x 110	105 x 80	11	55	750
NRSS/250/50/5	250	50	307	160 x 120	160 x 120	15	63	1.000
NRSS/300/60/5	300	60	347	160 x 120	160 x 120	15	73	1.400

Item #	Diameter (mm)	Wheel Width (mm)	Overall Height (mm)	Top Plate Size (mm)	Bolt Hole Spacing (mm)	Bolt Hole Diameter (mm)	Offset (mm)	Load Capacity (kg)
NTLSS/080/35/5L	80	35	118	105 x 85	80 x 60	9	40	300
NTLSS/100/40/5L	100	40	140	105 x 85	80 x 60	9	45	350
NTLSS/100/50/5L	100	50	148	135 x 110	105 x 80	11	50	600
NTLSS/125/40/5L	125	40	165	105 x 85	80 x 60	9	45	350
NTLSS/125/50/5	125	50	178	135 x 110	105 x 80	11	50	700
NTLSS/150/50/5	150	50	205	135 x 110	105 x 80	11	50	750
NTLSS/175/50/5	175	50	228	135 x 110	105 x 80	11	50	750
NTLSS/200/50/5	200	50	250	135 x 110	105 x 80	11	55	750
NTLSS/250/50/5	250	50	307	160 x 120	160 x 120	15	63	1.000
NTLSS/300/60/5	300	60	347	160 x 120	160 x 120	15	73	1.400

25.4 mm = 1 inch 1 kg = 2.2 lbs

NYLACRON™ ERGONOMIC TEST RESULTS FROM AN INDEPENDENT FORTUNE 500 CUSTOMER TEST.

FORCE/STRAIN MEASUREMENTS FOR 9C BASE ROLL CARTS.				
PUSHING FORCE REQUIRED (KG)	WHEEL TYPE			
Fores measured using Chatillon DPPH-50 Force Gage	Current (Black Albion)	Black Nylacron™	Swivel EAZ Dual Wheel - grey	Swivel EAZ Dual Wheel - black
Static Force	11-13	9-12	14-15	15-16
Force required to keep cart moving, once in motion	4-5	2-4	5-6	8-10
PUSHING FORCE REQUIRED (KG)	WHEEL TYPE			
Fores measured using Chatillon DPPH-50 Force Gage	Current (Black Albion)	Black Nylacron™	Swivel EAZ Dual Wheel - grey	Swivel EAZ Dual Wheel - black
Static Force	14-16	9-12	15	25
Force required to keep cart moving, once in motion	3-4	2-4	5-6	10
Turning Force	20	20	19-20	25

NYLACRON™ SPEED CORRECTION

WHEEL	MPH**	MPH CORRECTION FACTOR	LOAD RATING
4 X 2	0.38 *	1.00	2400
	2.00	0.82	1968
	4.00	0.63	1512
5 X 2	0.42 *	1.00	3000
	2.00	0.71	2130
	4.00	0.52	1560
6 X 2	0.61 *	1.00	3320
	2.00	0.68	2258
	4.00	0.54	1793
8 X 2	0.79*	1.00	3320
	2.00	0.75	2490
	4.00	0.64	2125
8 X 2.5	0.79*	1.00	6000
	2.00	0.89	5340
	4.00	0.76	4560
10 X 2.5	0.98*	1.00	7140
	2.00	0.82	5855
	4.00	0.65	4641
6 X 3	0.61*	1.00	5400
	2.00	1.00	5400
	4.00	1.00	5400
8 X 3	0.79*	1.00	7200
	2.00	1.00	7200
	4.00	1.00	7200
10 X 3	0.98*	1.00	9000
	2.00	1.00	9000
	4.00	1.00	9000

* MPH @ 33-1/3 RPM

** All speeds in chart are under 500 RPM

MPH = RPM x Wheel Circumference (FT)
x 60 Min/Hour x Mile / 5280

EXAMPLE:

Find MPH for 4 X 2 wheel going 33.33 RPM:
MPH = 33.33 REV/MIN x 1.04 FT/REV x 60 Min/Hour
x Mile / 5280 FT = .38 MPH

Applications

- Food Processing
- Dairies
- Meat Processing
- Automotive
- Turning Platforms
- Towlines
- Bakeries
- Fisheries
- Pharmaceutical
- Aerospace
- Amusement Rides

NYLACRON™ CHEMICAL RESISTANCE

The following chemicals are considered compatible with Nylacron™ wheels. This is a general guide only, since there are many other chemicals compatible with these wheels. Field testing is recommended to confirm these recommendations.

Call Acorn™ (Toll Free) for any specific Chemical Resistance Data

Acetic acid	Ethyl alcohol	Petrol
Acetone	Ether	Petroleum
Amyl acetate	Fish glue	Sea water
Ammonia	Freon	Silicone oil/grease
Ammonia chloride	Gasoline	Sodium chloride solutions
Ammonia sulfate	Glycerine	Soy Bean oil
Beer	Glycol	Tolulene
Benzene	Hexane	Toluol
Boric acid	Hydrogen sulfide	Trichloroehylene
Butyric acid	Hydrochloric acid	Turpentine
Butane	Isopropyl alcohol	Urea
Calcium chloride solutions	Jet fuels	Vaseline
Carbon dioxide	Linseed oil	Vegetable oils
Carbon disulphide	Lubricating oils	Vinyl chloride
Carbon monoxide	Lye	Water
Carbon tetrachloride	Mercury	Wax molten
Citric acid solutions	Methyl chloride	White spirit
Copper sulphate solutions	Methyl ethyl ketone	Wines & spirits
Diesel oil	Milk	Xylene
Edible oils	Mineral oil	Zinc chloride solutions
Esters	Motor oil	
Ethanol	Olive oil	

	PAGE
VULKOLLAN®	20
LOAD/DRIVE WHEELS	22-23
HEAVY DUTY WHEELS	24-25
PALLET ROLLERS	26-27
PRESS-ON TIRES	28-29
PALLET ROLLERS	30

VULKOLLAN®

VULKOLLAN® in its classic form is a polyurethane elastomer based on naphthalene 1,5-disocyanate Desmodur® 15 (NDI), polyester polyol and special chain extenders. VULKOLLAN® is produced by hot casting.

The raw materials used for VULKOLLAN® are subject to tight specifications and strict quality controls. All licensed processors must follow COVESTRO guidelines for VULKOLLAN® formulations and production processes, otherwise they cannot use the name VULKOLLAN®.

VULKOLLAN® wheels take up to 4 weeks to produce, due to the stabilizing requirements needed. Thus it is important to allow adequate time for any application.

Stated loads shown are for operation under ideal conditions, i.e. the wheel operates infrequently on a smooth surface without axial loading.

Thus load ratings must be reduced for operation under any or all of the following conditions:

- **Frequent use in excess of 45 minutes continuous:**
reduce loadings by 25%
- **Driving applications:**
reduce loadings by 30%
- **Speeds 6-10 kph (3.73 - 6.21 mph):**
reduce loads by 20%
- **Speeds 10-16 kph (6.21 - 10 mph):**
reduce loadings by 30%

Vulkollan® Nomenclature

The number following the work Vulkollan® indicates the content in g Desmodur 15 per 100 g of polyester. The shore hardness increases with the Desmodur 15 content.

e.g. Vulkollan® 25 = 25 parts by weight of Desmodur 15 to 100 parts by weight of polyester

TYPICAL PROPERTIES*						
Mechanical properties	Test standard	Units	Vulkollan®			
	ISO		18	21	25	9
Shore A/D hardness	868		83/29	89/35	92/36	95/40
Density	1183	Mg/m ³	1.26	1.26	1.26	1.26
Stress at 100% strain	37	MPa	4.3	5.9	8.0	10.6
Stress at 300% strain	37	MPa	7.8	10.4	12.8	15.8
Ultimate tensile strength	37	MPa	50	54	53	42
Elongation at break	37	%	660	700	740	692
Tear propagation resistance	34	kN/m	31	38	54	67
Rebound resilience	4662	%	65	64	62	61
Abrasion	4649	mm ³	37	32	28	26
Taber abrasion (S42/4.9 N)	9352	mg	3.5	4.0	6.1	7.5
Compression set 70 h / 23°C	815	%				
24 h / 70°C			8	9	10	14
Linear coefficient of thermal expansion		%				

*The figures are intended as guide values for a standard Vulkollan® formulation.

SOLID VULKOLLAN® - MECHANICAL PROPERTIES

VULKOLLAN® can be produced in hardness ranging from about 65 Shore A to about 70 Shore D. The mechanical properties are particularly favorable between about 80 Shore A and 40 Shore D, so these grades of Vulkollan® have the greatest share of the market.

SHORE HARDNESS

Shore Hardness is determined by testing the indentation resistance. The indentation resistance with which the elastomer opposes a spring-mounted needle is measured and displayed on a scale of 0 to 100. Shore A testing is used for softer elastomers. The Shore D scale is preferred from about 90 Shore A.

ULTIMATE TENSILE STRENGTH

Tensile Stress is measured on specially shaped test bars in tensile testing machines and is indicated as a function of the strain. Testing is normally at 100%, 300% and a breakage. **VULKOLLAN®** displays very high strength values. The test bars only tear after elongation to over 7 times the original length. Tensile strength testing is frequently used for quality control.

TEAR PROPOGATION

Tear propogation resistance is measured by stretching a notched specimen. High tear propogation resistance values denote reliable performance even of damaged parts.

ABRASION

Abrasion is measured by various methods, normally according to ISO 4649 (“abrasion roll”) and ISO 9352 (“Taber”). The elastomer specimens are rubbed with defined grinding media and abrasion is determined by loss of weight or volume. Low abrasion values denote high resistance to wear.

COMPRESSION DEFORMATION

The residual deformation after sustained compressive deformation is measured by determining the compression set. (The test stoppers are deformed to a specific extent at defined temperatures and for defined periods.) Recovery is then determined. Low values denote low permanent set.

REBOUND RESILIENCE

Rebound resilience is measured with a falling hammer. The higher the rebound, the less energy is absorbed in the elastomer and converted into heat.

VULKOLLAN® LOAD WHEELS

EURO (MM) DIMENSIONS



VU SERIES

VULKOLLAN® load wheels
Gray cast iron wheel center
with ball bearings (/5). Direct
bonded VULKOLLAN® tread
(93° Shore A).

Item #	Diameter (mm)	Wheel Width (mm)	Hub Length (mm)	Fixing Length (mm)	Hub Diameter (mm)	Bearing ID (mm)	Load Capacity (kg)
VU/100/025/5/15	100	25	25	26	43	15	200
VU/100/035/5/12	100	35	40	40	42	12	300
VU/100/040/5/15 B*	100	40	45	42	45	15	350
VU/100/040/5/15	100	40	45	42	45	15	350
VU/100/040/5/25	100	40	45	45	54	25	350
VU/100/050/5/20 B*	100	50	50	54	-	20	450
VU/100/050/5/25-1	100	50	50	54	-	25	450
VU/100/050/5/25-2	100	50	50	48	-	25	450
VU/125/040/5/15	125	40	45	45	42	15	450
VU/125/040/5/20	125	40	45	43	60	20	450
VU/125/050/5/20	125	50	50	54	59	20	560
VU/125/050/5/25-1	125	50	50	54	59	25	560
VU/125/050/5/25-2	125	50	50	48	59	25	560
VU/125/070/5/25	125	70	70	74	65	25	660
VU/150/035/5/25	150	35	35	39	62	25	450
VU/150/050/5/20	150	50	50	54	61	20	660
VU/150/050/5/25-1	150	50	50	54	61	25	660
VU/150/050/5/25-2	150	50	50	48	61	25	660
VU/150/080/5/25	150	80	72	78	65	25	900
VU/160/040/5/20	160	40	45	49	61	20	550
VU/160/050/5/20	160	50	60	60	65	20	700
VU/160/050/5/25	160	50	50	48	70	25	600
VU/180/050/5/25	180	50	50	48	66	25	800
VU/200/050/5/20	200	50	60	64	65	20	1.000
VU/200/050/5/25	200	50	60	64	65	25	1.000
VU/200/050/5/30	200	50	50	48	86	30	840
VU/200/060/5/25	200	60	60	60	65	25	760
VU/200/080/5/25-1	200	80	80	84	70	25	1.400
VU/200/080/5/25-2	200	80	78	78	95	25	1.400
VU/200/080/5/30	200	80	78	78	85	30	1.400
VU/200/080/5/35	200	80	80	78	82	35	1.460
VU/250/050/5/25	250	50	60	64	67	25	1.100
VU/250/050/5/30	250	50	50	48	83	30	1.100
VU/250/060/5/25	250	60	60	60	77	25	1.350
VU/250/080/5/30-1	250	80	80	80	75	30	1.700
VU/250/080/5/30-2	250	80	78	78	91	30	1.800
VU/250/080/5/40	250	80	80	78	101	40	1.800
VU/300/060/5/30	300	60	65	65	82	30	1.600
VU/300/080/5/40	300	80	85	85	106	40	2.100
VU/300/100/5/50	300	100	100	100	105	50	2.750
VU/300/135/5/50	300	135	135	135	140	50	3.400
VU/400/075/5/45	400	75	80	80	131	45	2.200
VU/400/100/5/50	400	100	100	100	130	50	3.600
VU/500/085/5/50	500	85	100	100	140	50	2.360
VU/500/200/5/90	500	200	200	200	230	90	9.170

25.4 mm = 1 inch 1 kg = 2.2 lbs *with crowned tread

All wheels can be adapted to fit in U.S. caster rigs.

VULKOLLAN® DRIVE WHEELS

EURO (MM) DIMENSIONS



VU H7 SERIES

VULKOLLAN® drive wheels
 Gray cast iron wheel center
 with bore and keyway according
 to DIN 6885. Direct bonded
 VULKOLLAN® tread
 (93° Shore A).

Item #	Diameter (mm)	Wheel Width (mm)	Hub Length (mm)	Hub Diameter (mm)	Bearing ID (mm)	Load Capacity (kg)
VU/100/050/2/25 H7	100	50	50	-	25	450
VU/125/040/2/20 H7	125	40	36	46	20	450
VU/125/040/2/25 H7	125	40	45	60	25	450
VU/125/050/2/25 H7	125	50	50	60	25	560
VU/125/050/2/30 H7	125	50	50	60	30	560
VU/125/050/2/35 H7	125	50	50	60	35	560
VU/150/050/2/30 H7	150	50	50	61	30	650
VU/150/050/2/35 H7	150	50	50	61	35	650
VU/150/050/2/40 H7	150	50	50	61	40	660
VU/160/050/2/25 H7	160	50	50	61	25	700
VU/160/050/2/35 H7	160	50	50	61	35	700
VU/180/050/2/35 H7	180	55	60	63	35	850
VU/200/050/2/30 H7	200	50	60	65	30	1.000
VU/200/050/2/35 H7	200	50	60	85	35	1.000
VU/200/050/2/40 H7	200	50	60	85	40	1.000
VU/200/080/2/50 H7	200	80	80	95	50	1.400
VU/250/050/2/40 H7	250	50	50	90	40	1.100
VU/250/050/2/50 H7	250	50	60	90	50	1.100
VU/250/080/2/30 H7	250	80	80	100	30	1.800
VU/250/080/2/40 H7	250	80	80	100	40	1.800
VU/250/080/2/50 H7	250	80	80	100	50	1.800
VU/300/060/2/40 H7	300	60	65	82	40	1.600
VU/300/060/2/50 H7	300	60	65	80	50	1.600
VU/300/080/2/50 H7	300	80	80	107	50	2.100
VU/300/100/2/40 H7	300	100	100	106	40	2.500
VU/300/100/2/60 H7	300	100	110	105	60	2.500

25.4 mm = 1 inch 1 kg = 2.2 lbs

VULKOLLAN® HEAVY-DUTY WHEELS

EURO (MM) DIMENSIONS



VUHD SERIES

VULKOLLAN® heavy-duty wheels

Stable welded wheel center with ball bearing (/5).
Direct bonded VULKOLLAN® tread (93° Shore A).

Item #	Diameter (mm)	Wheel Width (mm)	Hub Length (mm)	Fixing Length (mm)	Hub Diameter (mm)	Bearing ID (mm)	Load Capacity (kg)
VUHD/300/075/260/5/35	300	75	80	80	96	35	2.000
VUHD/300/100/260/5/35	300	100	110	110	116	35	2.500
VUHD/360/075/310/5/40	360	75	80	80	116	40	2.500
VUHD/360/100/310/5/40	360	100	110	110	116	40	3.000
VUHD/400/100/350/5/40	400	100	110	110	116	40	3.500
VUHD/400/120/350/5/50	400	120	130	130	116	50	4.000
VUHD/400/150/350/5/50	400	150	160	160	117	50	4.300
VUHD/500/100/450/5/50	500	100	110	110	136	50	4.500
VUHD/500/120/450/5/50	500	120	130	130	136	50	5.000
VUHD/500/150/450/5/50	500	150	160	160	136	50	5.700
VUHD/500/200/450/5/80	500	200	210	210	197	80	8.000
VUHD/600/150/550/5/80	600	150	160	160	203	80	8.000
VUHD/600/200/550/5/80	600	200	210	210	199	870	10.000

25.4 mm = 1 inch 1 kg = 2.2 lbs

VULKOLLAN® HEAVY-DUTY DRIVE WHEELS

EURO (MM) DIMENSIONS



VUHD H7 SERIES

VULKOLLAN®
heavy-duty drive wheels
Stable welded wheel center
with bore and keyway
according to DIN 6885.
Direct bonded VULKOLLAN®
tread (93° Shore A).

Item #	Diameter (mm)	Wheel Width (mm)	Hub Length (mm)	Hub Diameter (mm)	Bearing ID (mm)	Load Capacity (kg)
VUHD/300/075/260/2/50 H7	300	75	85	96	50	2.000
VUHD/300/100/260/2/60 H7	300	100	110	116	60	2.500
VUHD/360/075/310/2/70 H7	360	75	85	116	70	2.500
VUHD/360/100/310/2/60 H7	360	100	110	116	60	3.000
VUHD/400/100/350/2/70 H7	400	100	110	121	70	3.500
VUHD/400/120/350/2/60 H7	400	120	130	116	60	4.000
VUHD/400/120/350/2/70 H7	400	120	130	116	70	4.000
VUHD/400/150/350/2/60 H7	400	150	160	117	60	5.500
VUHD/500/100/450/2/60 H7	500	100	110	116	60	4.500
VUHD/500/150/450/2/80 H7	500	150	160	136	80	5.700
VUHD/500/200/450/2/80 H7	500	200	210	135	80	8.000
VUHD/600/150/550/2/80 H7	600	150	160	116	80	8.250
VUHD/600/200/550/2/80 H7	600	200	210	135	80	10.000
VUHD/700/200/640/2/80 H7	700	200	210	136	80	11.500

25.4 mm = 1 inch 1 kg = 2.2 lbs

VULKOLLAN® heavy-duty drive wheels with connecting bore hold or for the reception of clamping sets available on request.

VULKOLLAN® PALLET ROLLERS

EURO (MM) DIMENSIONS



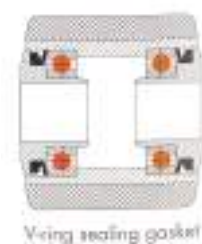
VUPR SERIES

VULKOLLAN® pallet rollers with ball bearings

Roller body made of steel tube with ball bearings. Direct bonded VULKOLLAN® tread (93° Shore A).

Item #	Wheel Diameter (mm)	Roller Width (mm)	Fitting Length (mm)	Bore Diameter (mm)	Load Capacity (kg)
VUPR/80/054/060/20	80	54	60	20	400
VUPR/80/057/059/20	80	57	59	20	400
VUPR/80/057/061/20	80	57	61	20	400
VUPR/80/057/061/25	80	57	61	25	400
VUPR/80/070/074/20	80	70	74	20	450
VUPR/80/100/104/20	80	100	104	20	600
VUPR/82/034/034,6/17	82	34	34,6	17	250
VUPR/82/050/052/20	82	50	52	20	400
VUPR/82/053/055/17*	82	53	55	17	400
VUPR/82/065/063/20	82	65	63	17	450
VUPR/82/065/067/20	82	65	67	17	450
VUPR/82/069/062/20	82	69	62	17	500
VUPR/82/070/066/20	82	70	66	17	500
VUPR/82/070/072/20	82	70	72	17	500
VUPR/82/070/074/20	82	70	74	17	500
VUPR/82/072/078/20	82	72	78	17	500
VUPR/82/072/078/20*	82	72	78	17	500
VUPR/82/082/086/20	82	82	86	17	600
VUPR/82/089/082/20	82	89	82	17	650
VUPR/82/098/105/20	82	98	105	17	700
VUPR/82/098/105/20*	82	98	105	17	700
VUPR/82/100/095/20	82	100	95	17	700
VUPR/82/100/104/20	82	100	104	17	700
VUPR/85/043/043/20	85	43	43	20	300
VUPR/85/046/048/25	85	46	48	25	350
VUPR/85/046/050/20	85	46	50	20	350
VUPR/85/050/055/25*	85	50	55	25	400
VUPR/85/055/060/20*	85	55	60	20	420
VUPR/85/059,5/061,5/17*	85	59,5	61,5	17	450

25.4 mm = 1 inch 1 kg = 2.2 lbs



V-ring sealing gasket

VULKOLLAN® PALLET ROLLERS

EURO (MM) DIMENSIONS

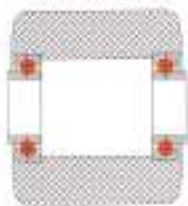


VUPR SERIES

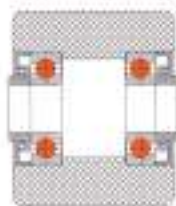
Item #	Wheel Diameter (mm)	Roller Width (mm)	Fitting Length (mm)	Bore Diameter (mm)	Load Capacity (kg)
VUPR/85/061/065/20	85	61	65	20	450
VUPR/85/070/063/17	85	70	63	17	500
VUPR/85/075/077/20	85	75	77	20	550
VUPR/85/075/080/20*	85	75	80	20	580
VUPR/85/078/078/20	85	78	78	20	600
VUPR/85/078/080/20	85	78	80	20	600
VUPR/85/080/082/17*	85	80	82	17	600
VUPR/85/080/082/25	85	80	82	25	600
VUPR/85/080/084/20*	85	80	84	20	600
VUPR/85/080/085/20*	85	80	85	20	600
VUPR/85/086,5/088,5/17*	85	86,5	88,5	17	650
VUPR/85/090/092/25	85	90	92	25	700
VUPR/85/095/100/20*	85	95	100	20	750
VUPR/85/100/102/17*	85	100	102	17	800
VUPR/85/100/102/25*	85	100	102	25	800
VUPR/85/100/104/25	85	100	104	25	800
VUPR/85/105/110/25*	85	105	110	25	800
VUPR/85/120/124/20	85	120	124	20	900

* with labyrinth sealing

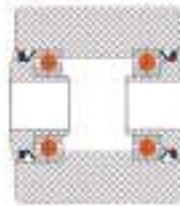
25.4 mm = 1 inch 1 kg = 2.2 lbs



ZZV-ball bearing



Labyrinth sealing



V-ring sealing gasket

VULKOLLAN® PRESS-ON TIRES

EURO (MM) DIMENSIONS



VUZ SERIES

Item #	Flange Diameter (D mm)	Tread Width (W mm)	Inner Diameter (d mm)	Load Capacity (kg)
VUZ/100/032/075	100	32	75	280
VUZ/100/043/055	100	43	55	390
VUZ/100/070/055	100	70	55	600
VUZ/125/040/075	125	40	75	420
VUZ/125/050/075	125	50	75	540
VUZ/150/040/100	150	40	100	520
VUZ/150/050/100	150	50	100	640
VUZ/150/065/100	150	65	100	820
VUZ/150/075/100	150	75	100	960
VUZ/150/100/085	150	100	85	1.260
VUZ/150/130/100	150	130	100	1.640
VUZ/160/050/100	160	50	100	730
VUZ/160/075/100	160	75	100	1.020
VUZ/180/050/120	180	50	120	760
VUZ/180/075/120	180	75	120	1.140
VUZ/180/100/105	180	100	105	1.520
VUZ/200/050/140	200	50	140	840
VUZ/200/060/150	200	60	150	1.020
VUZ/200/070/140	200	70	140	1.180
VUZ/200/075/100	200	75	100	1.370
VUZ/200/080/120	200	80	120	1.360
VUZ/200/085/105	200	85	105	1.440
VUZ/200/105/120	200	105	120	1.780
VUZ/230/050/170	230	50	170	980
VUZ/230/075/170	230	75	170	1.460
VUZ/230/085/170	230	85	170	1.660
VUZ/250/050/190	250	50	190	1.060
VUZ/250/060/190	250	60	190	1.260
VUZ/250/075/140	250	75	140	1.580
VUZ/250/080/170	250	80	170	1.680
VUZ/250/100/170	250	100	170	2.100
VUZ/250/105/170	250	105	170	2.220
VUZ/250/105/190	250	105	190	2.220
VUZ/250/130/140	250	130	140	2.740
VUZ/254/076/203	254,0 (10")	76,0 (3")	203,0 (8")	1.640
VUZ/254/102/165	254,0 (10")	102,0 (4")	165,0 (6-1/2")	2.180
VUZ/254/127/165	254,0 (10")	127,0 (5")	165,0 (6-1/2")	2.720
VUZ/260/085/170	260	85	170	1.860
VUZ/260/105/170	260	105	170	2.300
VUZ/267/089/203	267,0 (10-1/2")	89,0 (3-1/2")	203,0 (8")	2.000
VUZ/285/075/220	285	75	220	1.800
VUZ/285/100/200	285	100	200	2.400
VUZ/285/100/220	285	100	120	2.400
VUZ/285/100/228	285	100	228	2.400
VUZ/290/105/185	290	105	185	2.560
VUZ/300/050/240	300	50	240	1.260
VUZ/300/075/240	300	75	240	1.800

25.4 mm = 1 inch 1 kg = 2.2 lbs

VULKOLLAN®
press-on tires
Cylindrical VULKOLLAN®
press-on tires (93° Shore A)
with machined steel band
for rims with fit h11.

VULKOLLAN® PRESS-ON TIRES

EURO (MM) DIMENSIONS



VUZ SERIES

Item #	Flange Diameter (D mm)	Tread Width (W mm)	Inner Diameter (d mm)	Load Capacity (kg)
VUZ/300/090/203	300	90	203	2.160
VUZ/300/100/203	300	100	203	2.750
VUZ/310/060/220	310	60	220	1.480
VUZ/310/120/203	310	120	203	2.980
VUZ/310/120/220	310	120	220	2.980
VUZ/330/089/203	330,0 (13")	89,0 (3-1/2")	203,0 (8")	2.100
VUZ/330/089/254	330,0 (13")	89,0 (3-1/2")	254,0 (10")	2.350
VUZ/330/127/254	330,0 (13")	127,0 (5")	254,0 (10")	3.350
VUZ/330/145/193,5	330	145	193,5	3.820
VUZ/343/114/225	343	114	225	3.120
VUZ/345/115/245	345	115	245	3.340
VUZ/350/090/280	350	90	280	2.600
VUZ/350/100/280	350	100	280	2.800
VUZ/350/110/270	350	110	270	3.080
VUZT/350/140/270	350	140	270	3.920
VUZ/360/075/270	360	75	270	2.470
VUZ/360/085/270	360	85	270	2.450
VUZ/381/127/286	381,0 (15")	127,0 (5")	286,0 (11-1/4")	3.860
VUZ/400/075/305	400	75	305	2.750
VUZ/405/065/305	405	65	305	2.100
VUZ/405/130/290	405	130	290	3.800
VUZ/405/130/305	405	130	305	4.000
VUZ/405/145/290	405	145	290	4.100
VUZ/406/178/305	406	178	305	5.400
VUZ/415/075/305	415	75	305	2.500
VUZ/415/090/305	415	90	305	3.000
VUZ/415/100/305	415	100	305	3.370
VUZ/445/178/381	445,0 (17-1/2")	178,0 (7")	381,0 (15")	6.000
VUZ/457/127/308	457,0 (18")	127,0 (5")	308,0 (12-1/4")	4.650
VUZ/457/152/308	457,0 (18")	152,0 (6")	308,0 (12-1/4")	4.950
VUZ/457/178/308	457,0 (18")	178,0 (7")	308,0 (12-1/4")	5.400
VUZ/500/085/370	500	85	370	3.000
VUZ/500/100/370	500	100	370	3.660
VUZ/500/140/370	500	140	370	5.130
VUZ/559/152/406	559,0 (22")	152,0 (6")	406,0 (16")	5.950
VUZ/559/203/406	559,0 (22")	203,0 (8")	406,0 (16")	8.000
VUZ/559/229/406	559,0 (22")	229,0 (9")	406,0 (16")	8.950
VUZ/610/150/410	610	150	410	6.400
VUZ/645/250/500	645	250	500	2.300
VUZ/660/127/508	660,0 (26")	127,0 (5")	508,0 (20")	6.550
VUZ/711/203/559	711,0 (28")	203,0 (8")	559, 0 (22")	10.100
VUZ/711/254/559	711,0 (28")	254,0 (10")	559, 0 (22")	12.650
VUZ/711/305/559	711,0 (28")	305,0 (12")	559, 0 (22")	15.200
VUZ/750/150/640	750	150	640	7.880
VUZ/900/200/670	900	200	670	12.600
VUZ/920/180/770 U9	920	180	770	11.600
VUZ/920/290/770	920	290	770	18.500

25.4 mm = 1 inch 1 kg = 2.2 lbs

VULKOLLAN® PALLET ROLLERS

EURO (MM) DIMENSIONS



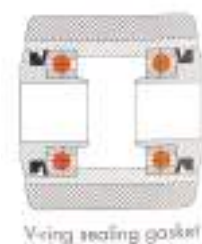
VKS SERIES

Item #	Wheel Diameter (mm)	Roller Width (mm)	Fitting Length (mm)	Bore Diameter (mm)	Load Capacity (kg)
VKS/80/074/076/13	80	74	76	13	500
VKS/80/095/100/20	80	74	76	13	500
VKS/82/050/055/20	82	50	55	20	350
VKS/82/065/070/20	82	65	70	20	450
VKS/82/069/074/20	82	69	74	20	500
VKS/82/070/075/20	82	70	75	20	500
VKS/82/072/077/17	82	72	77	17	500
VKS/82/075/080/20	82	75	80	20	550
VKS/85/060/065/12	85	60	65	12	450
VKS/85/060/065/20	85	60	65	20	450
VKS/85/060/065/25	85	60	65	25	450
VKS/85/070/075/20	85	70	75	20	500
VKS/85/070/075/25	85	70	75	25	500
VKS/85/073/078/20	85	73	78	20	550
VKS/85/075/080/12	85	75	80	12	580
VKS/85/075/080/20	85	75	80	20	550
VKS/85/075/080/25	85	75	80	25	550
VKS/85/078/082/12	85	78	82	12	600
VKS/85/080/082/17	85	80	82	17	600
VKS/85/080/085/12	85	80	85	12	600
VKS/85/080/085/20	85	80	85	20	600
VKS/85/080/085/25	85	80	85	25	490
VKS/85/085/089,7/25	85	85	89,7	25	660
VKS/85/085/090/12	85	85	90	12	650
VKS/85/085/090/20	85	85	90	20	650
VKS/85/085/090/25	85	85	90	25	650
VKS/85/090/095/20	85	90	95	20	700
VKS/85/090/095/25	85	90	95	25	700
VKS/85/095/100/17	85	95	100	17	750
VKS/85/095/100/20	85	95	100	20	750
VKS/85/095/100/25	85	95	100	25	750
VKS/85/100/105/20	85	100	105	20	800
VKS/85/100/105/25	85	100	105	25	800
VKS/85/105/110/13	85	105	110	13	800
VKS/85/105/110/20	85	105	110	20	800
VKS/85/105/110/25	85	105	110	25	800
VKS/85/110/115/25	85	100	115	25	850

25.4 mm = 1 inch 1 kg = 2.2 lbs

VULKOLLAN® pallet rollers with sealed ball bearings

Roller body made of steel tube with ball bearings. Direct bonded VULKOLLAN® tread (93° Shore A). Plastic sealing and V-ring gasket for protection of the ball bearing against splash water and foreign matter.



V-ring sealing gasket



PREMIUM URETHANE/POLYURETHANE WHEELS

	<u>PAGE</u>
Premium Urethane/Premium Soft	32-34
Swivel-Eaz™	36-37
Polyurethane/Cast Iron	38-42
Polyurethane/Aluminum	43-44
Polyurethane	45-56

**PREMIUM URETHANE
POLYURETHANE WHEELS**



URETHANE TREAD ON ALUMIUM CORE

WHEELS & CASTERS

PREMIUM URETHANE WHEELS can be produced up to 36 inches. These wheels can be used without reservation for in-plant transportation with medium-sized loads. They offer considerably reduced starting and rolling resistance as well as high dynamic loading capacity. The premium soft wheels offer better shock absorption and noise reduction.

URETHANE TREAD ON ALUMIUM CORE EURO (MM) DIMENSIONS



PD-9 SERIES

PD-7 SERIES

Item #	Diameter (mm)	Wheel Width (mm)	Hub Length (mm)	Hub Diameter (mm)	Bearing ID (mm)	Load Capacity (kg)
PD-7/100/040/5/11	100	40	45	45	15	290
PD-7/125/050/5/20	125	50	54	60	20	450
PD-7/150/050/5/20	150	50	54	59	20	550
PD-7/160/050/5/20	160	50	54	59	20	580
PD-7/180/050/5/20	180	50	54	59	20	660
PD-7/200/050/5/20	200	50	54	60	20	660
PD-7/200/050/5/25	200	50	54	60	25	660
PD-7/250/060/5/20	250	60	54	60	20	790
PD-7/250/060/5/25	250	60	60	60	25	760

25.4 mm = 1 inch 1 kg = 2.2 lbs

All wheels can be adapted to fit in U.S. caster rigs.

Premium urethane soft wheels with aluminum rim

Aluminum wheel center with ball bearings (/5). Direct bonded tread (78° Shore A).

Item #	Diameter (mm)	Wheel Width (mm)	Hub Length (mm)	Hub Diameter (mm)	Bearing ID (mm)	Load Capacity (kg)
PD-9/080/025/5/15	80	25	30	28	15	150
PD-9/100/040/5/15 B*	100	40	45	45	15	300
PD-9/100/040/5/15	100	40	45	45	15	350
PD-9/125/040/5/15	125	40	40	46	15	380
PD-9/125/050/5/20	125	50	54	60	20	400
PD-9/150/050/5/20	150	50	54	60	20	450
PD-9/160/050/5/20	160	50	54	59	20	500
PD-9/180/050/5/20 B*	180	50	54	59	20	550
PD-9/200/050/5/20	200	50	54	60	20	700
PD-9/200/050/5/25	200	50	54	60	25	700
PD-9/250/050/5/20	250	50	60	60	20	790
PD-9/250/060/5/25	250	60	60	60	25	790

25.4 mm = 1 inch 1 kg = 2.2 lbs

* with crowned tread

All wheels can be adapted to fit in U.S. caster rigs.

Premium urethane wheels with aluminum rim

Aluminum wheel center with ball bearings (/5). Direct bonded tread (93° Shore A).

HEAVY DUTY URETHANE TREAD WHEELS ON CAST IRON CORE EURO (MM) DIMENSIONS



PUHD-9

Premium urethane Heavy-duty wheels with cast iron rim

Gray cast iron wheel center with ball bearings (/5). Direct bonded tread (93° Shore A).

Item #	Diameter (mm)	Wheel Width (mm)	Hub Length (mm)	Fixing Length (mm)	Hub Diameter (mm)	Bearing ID (mm)	Load Capacity (kg)
PUHD-9/080/030/5/12	80	30	40	40	45	12	220
PUHD-9/100/025/5/15	100	25	25	26	43	15	220
PUHD-9/100/035/5/12	100	35	40	40	42	12	300
PUHD-9/100/035/5/15	100	35	40	38	42	15	300
PUHD-9/100/040/5/15	100	40	45	42	45	15	350
PUHD-9/100/040/5/20	100	40	45	45	45	20	360
PUHD-9/100/050/5/25	100	50	50	48	-	25	450
PUHD-9/125/040/5/15	125	40	45	45	42	15	450
PUHD-9/150/050/5/20	150	50	50	54	61	20	660
PUHD-9/150/060/5/20	150	60	60	60	77	20	800
PUHD-9/160/040/5/20	160	40	45	49	61	20	550
PUHD-9/160/050/5/20	160	50	60	60	65	20	660
PUHD-9/200/050/5/20	200	50	56	56	65	20	1.000
PUHD-9/200/075/5/25	200	75	80	80	70	25	1.350
PUHD-9/200/080/5/25	200	80	80	84	72	25	1.400
PUHD-9/250/050/5/25	250	50	60	64	67	25	1.100
PUHD-9/250/060/5/25	250	60	60	60	77	25	1.350
PUHD-9/250/075/5/30	250	75	75	75	77	30	1.700
PUHD-9/250/080/5/30	250	80	80	80	75	30	1.700
PUHD-9/300/060/5/30	300	60	65	65	82	30	1.600
PUHD-9/300/075/5/40	300	75	75	75	105	40	2.000
PUHD-9/300/080/5/40	300	80	85	85	105	40	2.100
PUHD-9/300/100/5/40	300	100	110	110	105	40	1.930
PUHD-9/360/060/5/30	300	60	60	60	111	30	1.140
PUHD-9/400/075/5/45	400	75	85	85	131	45	1.480
PUHD-9/400/100/5/50	400	100	100	100	130	50	3.660
PUHD-9/500/200/5/90	500	200	200	200	230	90	9.170

25.4 mm = 1 inch 1 kg = 2.2 lbs

All wheels can be adapted to fit in U.S. caster rigs.



PREMIUM URETHANE/SWIVEL-EAZ™ WHEELS

PREMIUM URETHANE/ SWIVEL-EAZ® - SWE

Capacity Up to 5600 lbs.



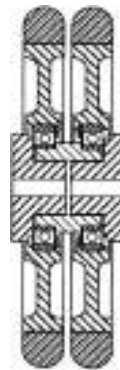
Swivel-EAZ® Wheels with Urethane Tread

A one-of-a-kind split outer tread wheel, the Swivel-EAZ® is the ultimate solution for the many industries searching to satisfy all of the ergonomic requirements and standards within today's environment. The technological design greatly reduces turning and rolling resistance on swivel, rigid and fixed axle systems.

Features

- Independent Swivel Surfaces.
- Reduces Rolling Resistance.
- Minimizes Initial Start Forces.
- Prolongs the Life of the Swivel Caster.
- Eliminates the Need for Costly Dual-Wheel Casters.
- Carries 2x the Load of Standard Size Wheels with Similar Tread Hardness.
- Offered in 4 Different Tread Hardness and Compounds to Fit Your Needs.
- Maintenance-Free for Longer Life.
- Non-Marking, High-Performance Elastomer Treads.

Patented SWE® Design



SWE-820-CRN Wheels
Kingpinless HD Caster Rig



SWIVEL-EAZ® CASTERS

Swivel-EAZ® Wheels are excellent with Kingpinless and pressed steel total lock casters. For more information, contact Acorn.™

Available in kingpinless caster yokes.

NEW ACORN™ DUAL-IN-ONE™ WHEELS NOW AVAILABLE.

PREMIUM URETHANE/SWIVEL-EAZ™ WHEELS

Wheel Part Number*	Diameter (inch)	Width (inch)	Axle Size (inch)	Hub Length (inch)	70A (lbs)	80A (lbs)	95A (lbs)	60D (lbs)	75D (lbs)
Standard									
SWE320CRN	3	2	1/2	2-1/2	N/A	320	400	520	600
SWE420CRN	4	2	1/2	2-1/2	300	400	500	650	700
SWE520CRN	5	2	1/2	2-1/2	450	650	800	975	1050
SWE620CRN	6	2	1/2	2-1/2	600	900	1100	1300	1450
SWE625CRN	6	2-1/2	3/4	3	600	900	1100	1300	1450
SWE640CRN	6	4	3/4, 1-1/4	4-1/2	950	1200	1700	2100	2200
SWE820CRN	8	2	1/2	2-1/2	1100	1800	2400	2700	2850
SWE825CRN	8	2-1/2	3/4	3	1100	1800	2400	2700	2850
SWE1025CRN	10	2-1/2	3/4, 1-1/4	3	1500	2400	3150	3550	3800
SWE1030CRN	10	3	3/4, 1-1/4	3-1/2	1800	3100	3800	4300	4550
SWE1050CRN	10	5	1-1/4	5-1/2	1950	3100	4000	4400	4600
Heavy Duty									
HDSWE330CRN	5	3	3/4	3-1/2	600	880	1200	1460	1600
HDSWE630CRN	6	3	3/4	3-1/2	800	1200	1650	1950	2100
HDSWE830CRN	8	3	3/4	3-1/2	1485	2450	3250	3645	3850

Flat Tread Swivel Eaz® Wheels

Standard									
SWE320FT	3	2	1/2	2-1/2	N/A	560	720	800	900
SWE420-FT	4	2	1/2	2-1/2	500	700	900	1000	1100
SWE520FT	5	2	1/2	2-1/2	700	1050	1400	1550	1650
SWE620FT	6	2	1/2	2-1/2	900	1400	1900	2200	2400
SWE625FT	6	2-1/2	3/4	3	900	1400	1900	2200	2400
SWE640FT	6	4	3/4, 1-1/4	4-1/2	1300	2000	3000	3500	3700
SWE820FT	8	2	1/2	2-1/2	1400	2300	3000	3500	3700
SWE825FT	8	2-1/2	3/4	3	1400	2300	3000	3500	3700
SWE1025FT	10	2-1/2	3/4, 1-1/4	3	1800	3100	4000	4700	4900
SWE1030FT	10	3	3/4, 1-1/4	3-1/2	2200	2700	4800	5600	5900
SWE1050FT	10	5	3/4, 1-1/4	3-1/2	2300	2800	4900	5800	6000
SWE1230FT	12	3	1-1/4	3-1/2	2500	4200	5400	6300	7200
SWE1250FT	12	5	1-1/4	5-1/2	2800	4500	5900	6900	7500
Heavy Duty									
HDSWE330FT	3	3	3/4	3-1/2	950	1420	2100	2325	2500
HDSWE630FT	3	3	3/4	3-1/2	1220	1890	2850	3300	3500
HDSWE830FT	3	3	3/4	3-1/2	1890	3100	4000	4725	4960

*When ordering, note durometer after the part number

Load capacities are for tow loads of 5-8 mph. For manual loads at 1-3 mph, multiply ratings above by 1.20

PREMIUM URETHANE/ALUMINUM CORE/DONUT TREAD

PREMIUM URETHANE/ ALUMINUM CORE/ DONUT TREAD - UR9/AL/DT

Capacity Up to 1100 lbs.



Donut Tread Urethane Wheels are ergonomically designed with rollability in mind. These premium polyurethane wheels are standard with crowned treads, sealed precision ball bearings and top hats reducing bushings for optimum rollability. These wheels will perform well in both manual and power-towed material handling applications. They are available in four different tread durometers (hardness) and color coded for easy identification.

Features:

- 6" & 8" polyurethane treads are both mechanically and chemically bonded to die-cast aluminum cores. This dual bonding process presents tread separation, which is the most common reason for polyurethane tread failure
- 4" & 5" polyurethane treads are chemically bonded only
- Bell bushings (2) are included with each wheel to hold 6203 2RS precision bearings in hub
- Longer life
- Superior rollability
- Excellent floor protection - Non-marking
- Resistance to most chemicals and oils
- Temperature range -40°F to +180°F

Wheel Part Number	Dia. (in)	Width (in)	Capacity (lbs)	Bearing Bore (in)	Hub Length (in)	Approx. Wt. (lbs)
Polyurethane Gray 70A with Precision Ball Bearings — 1/2" Axle — 2-1/2" Hub Length						
UR9/AL/DT042070A	4	2	300	1/2	2-7/16	3
UR9/AL/DT052070A	5	2	400	1/2	2-7/16	4
UR9/AL/DT062070A	6	2	550	1/2	2-7/16	5
UR9/AL/DT082070A	8	2	700	1/2	2-7/16	6
Polyurethane Red 82A with Precision Ball Bearings — 1/2" Axle — 2-1/2" Hub Length						
UR9/AL/DT042082A	4	2	400	1/2	2-7/16	3
UR9/AL/DT052082A	5	2	525	1/2	2-7/16	4
UR9/AL/DT062082A	6	2	650	1/2	2-7/16	5
UR9/AL/DT082082A	8	2	850	1/2	2-7/16	6
Polyurethane Blue 95A with Precision Ball Bearings — 1/2" Axle — 2-1/2" Hub Length						
UR9/AL/DT042095A	4	2	400	1/2	2-7/16	3
UR9/AL/DT052095A	5	2	600	1/2	2-7/16	4
UR9/AL/DT062095A	6	2	800	1/2	2-7/16	5
UR9/AL/DT082095A	8	2	950	1/2	2-7/16	6
Polyurethane Gray 60D with Precision Ball Bearings — 1/2" Axle — 2-1/2" Hub Length						
UR9/AL/DT042060D	4	2	500	1/2	2-7/16	3
UR9/AL/DT052060D	5	2	750	1/2	2-7/16	4
UR9/AL/DT062060D	6	2	1000	1/2	2-7/16	5
UR9/AL/DT082060D	8	2	1100	1/2	2-7/16	6

Load capacities are for tow loads of 5-8 mph

For manual loads at 1-3 mph, multiply ratings above by 1.20

ALL WHEELS AVAILABLE IN 70A, 80A, 95A, 70D AND 60D DUROMETERS.

COLOR-CODED HARDNESS SYSTEM:

Black: 70A (+/- 5) Durometer

Red: 82A (+/- 5) Durometer

Blue: 95A (+/- 5) Durometer

Gray: 60D (+/- 5) Durometer

POLYURETHANE/THICK TREAD/CAST IRON CORE

POLYURETHANE/THICK TREAD CAST IRON CORE - PX

Capacity Up to 7700 lbs.



Composed of a polyurethane elastomer, open cast or injection molded, on clean, close tolerance cores. Polyurethane tread is chemically bonded to a cast iron core. High capacity polyurethane protects floors, is non-marking and delivers quieter operation than standard metal wheels.

Features

- **Hardness:** 95 Shore A.
- **Wheel Face:** Available in flat or crown tread.
- **Finish:** Green tread on black core.
- **Temperature Range:** -40°F up to +180°F.

Wheel Options

- 80 Shore A durometer option available (15% capacity reduction). Provides more debris resistance. Butterscotch tread on black core.
- 70 Shore D durometer option available (20% capacity increase). Black tread on black core.
- Note: Select bearings featured are recommended for standard applications. For special applications or alternate bearings consult Acorn.™
- For customization & special application, please consult Acorn.™

* R=Roller bearing, P=Precision Ball Bearing
T=Tapered Roller Bearing

Dia. (inch)	Width (inch)	Capacity (lbs)	Hub Length (inch)	Bore (inch)	Bearing (inch)	Wt. (lbs)	Part Number*
6	3	2040	3-1/4	1-15/16	1	13-3/4	PX63R16
6	3	2040	3-1/4	1-15/16	1-1/4	13-3/4	PX63R20
6	3	2040	3-1/2	1-15/16	3/4	13-1/4	PX63T12
6	3	2040	3-1/2	1.98	1	13-1/4	PX63T16
8	3	2520	3-1/4	1-15/16	1	16	PX83R16
8	3	2520	3-1/4	1-15/16	1-1/4	16	PX83R20
8	3	2520	3-1/2	1-15/16	3/4	15-3/4	PX83T12
8	3	2520	3-1/2	1.98	1	15-3/4	PX83T16
8	4	3500	4-1/4	2-7/16	1-1/4	23-3/4	PX84R20
8	4	3500	4-1/4	2-7/16	1-1/2	23-3/4	PX84R24
8	4	3500	4-1/2	2-7/16	1	22-1/2	PX84T16
8	4	3500	4-1/2	2-7/16	1-1/4	22-1/2	PX84T20
10	3	3000	3-1/4	1-15/16	1	20-1/2	PX1030R16
10	3	3000	3-1/4	1-15/16	1-1/4	20-1/2	PX1030R20
10	3	3000	3-1/2	1-15/16	3/4	20	PX1030T12
10	3	3000	3-1/2	1.98	1	20	PX1030T16
10	3	3000	3-1/2	2.33	1-1/4	20	PX1030T20
10	4	4200	4-1/4	2-7/16	1-1/4	30-1/4	PX1040R20
10	4	4200	4-1/4	2-7/16	1-1/2	30-1/4	PX1040R24
10	4	4200	4-1/2	2-7/16	1	29	PX1040T16
10	4	4200	4-1/2	2-7/16	1-1/4	29	PX1040T20
10	5	5000	5-1/4	2-7/16	1-1/4	41-1/4	PX1050R20
10	5	5000	5-1/4	2-7/16	1-1/2	41-1/4	PX1050R24
10	5	5000	5-1/2	2-7/16	1	39-1/4	PX1050T16
10	5	5000	5-1/2	2-7/16	1-1/4	39-1/4	PX1050T20
12	3	3420	3-1/4	1-15/16	1	28-1/4	PX1230R16
12	3	3420	3-1/4	1-15/16	1-1/4	28-1/4	PX1230R20
12	3	3420	3-1/2	1-15/16	3/4	28	PX1230T12
12	3	3420	3-1/2	1.98	1	28	PX1230T16
12	3	3420	3-1/2	2.33	1-1/4	28	PX1230T20
12	4	4800	4-1/2	2-7/16	1-1/4	36-3/4	PX1240R20
12	4	4800	4-1/4	2-7/16	1-1/2	36-3/4	PX1240R24
12	4	4800	4-1/2	2-7/16	1	35-1/2	PX1240T16
12	4	4800	4-1/2	2-7/16	1-1/4	35-1/2	PX1240T20
12	5	6000	5-1/4	2-7/16	1-1/4	48	PX1250R20
12	5	6000	5-1/4	2-7/16	1-1/2	48	PX1250R24
12	5	6000	5-1/2	2-7/16	1	47	PX1250T16
12	5	6000	5-1/2	2-7/16	1-1/4	47	PX1250T20
12	6	7500	6-1/2	2.33	1-1/4	25-3/4	PX1260T20
16	3	4260	4-1/4	2-7/16	1-1/4	51	PX1630R20
16	3	4260	4-1/4	2-7/16	1-1/2	51	PX1630R24
16	3	4260	4-1/2	2-7/16	1	49-3/4	PX1630T16
16	3	4260	4-1/2	2-7/16	1-1/4	49-3/4	PX1630T20
16	4	5970	5-1/4	2-7/16	1-1/4	65	PX1640R20
16	4	5970	5-1/4	2-7/16	1-1/2	65	PX1640R24
16	4	5970	5-1/2	2-7/16	1-1/4	63	PX1640T20
16	5	7700	5-1/4	2-7/16	1-1/4	85	PX1650R20
16	5	7700	5-1/4	2-7/16	1-1/2	85	PX1650R24
16	5	7700	5-1/2	2-7/16	1-1/4	85	PX1650T20

New polyurethane elastomer tread

POLYURETHANE/CAST IRON CORE

POLYURETHANE/CAST IRON PY/PH

Capacity Up to 4200 lbs.



Composed of a polyurethane elastomer, open cast or injection molded, on clean, close tolerance cores. Polyurethane tread is chemically bonded to a cast iron core. High capacity polyurethane protects floors, is non-marking and delivers quieter operation than standard metal wheels.

Features

- **Hardness:** 95 Shore A.
- **Wheel Face:** Available in flat or crown tread.
- **Finish:** Green tread on black core.
- **Temperature Range:** -40°F up to +180°F.

Wheel Options

- 80 Shore A durometer option available (15% capacity reduction) Butterscotch tread / black core.
- 70 Shore D durometer option available (20% capacity increase) Black tread / black core.
- Note: Select bearings featured are recommended for standard applications. For special applications and alternate bearings consult Acorn.™

* R=Roller bearing, P=Precision Ball Bearing
T=Tapered Roller Bearing

PY = 1-15/16" Bore ID

PH = 2-7/16" Bore ID

Dia. (inch)	Width (inch)	Capacity (lbs.)	Hub Length (inch)	Bore (inch)	Bearing (inch)	Wt. (lbs.)	Part Number*
6	2	1230	2-3/16	1-7/16	7/8	6	PH62R14
6	2	1230	2-3/16	1-7/16	1	6	PH62R16
6	3	2040	3-1/4	1-15/16	1	13-3/4	PY63R16
6	3	2040	3-1/4	1-15/16	1-1/4	13-3/4	PY63R20
6	3	2040	3-1/2	1-15/16	3/4	13-1/4	PY63T12
6	3	2040	3-1/2	1.98	1	13-1/4	PY63T16
8	3	2520	3-1/4	1-15/16	1	16	PY83R16
8	3	2520	3-1/4	1-15/16	1-1/4	16	PY83R20
8	3	2520	3-1/2	1-15/16	3/4	15-3/4	PY83T12
8	3	2520	3-1/2	1.98	1	15-3/4	PY83T16
8	3	2520	3-1/2	2.33	1-1/4	15-3/4	PY83T20
8	3	2520	3-1/4	2-7/16	1-1/4	15-1/2	PH83R20
8	3	2520	3-1/4	2-7/16	1-1/2	15-1/2	PH83R24
8	4	3500	4-1/4	2-7/16	1-1/4	23-3/4	PY84R20
8	4	3500	4-1/4	2-7/16	1-1/2	23-3/4	PY84R24
8	4	3500	4-1/2	2-7/16	1	22-1/2	PY84T16
8	4	3500	4-1/2	2-7/16	1-1/4	22-1/2	PY84T20
10	3	3000	3-1/4	1-15/16	1	20-1/2	PY1030R16
10	3	3000	3-1/4	1-15/16	1-1/4	20-1/2	PY1030R20
10	3	3000	3-1/2	1-15/16	3/4	20	PY1030T12
10	3	3000	3-1/2	1.98	1	20	PY1030T16
10	3	3000	3-1/2	2.33	1-1/4	20	PY1030T20
10	3	3000	3-1/4	2-7/16	1-1/4	19-3/4	PH1030R20
10	3	3000	3-1/4	2-7/16	1-1/2	19-3/4	PH1030R24
10	4	4200	4-1/4	2-7/16	1-1/4	30-1/4	PY1040R20
10	4	4200	4-1/4	2-7/16	1-1/2	30-1/4	PY1040R24
10	4	4200	4-1/2	2-7/16	1	29	PY1040T16
10	4	4200	4-1/2	2-7/16	1-1/4	29	PY1040T20
10	5	5000	5-1/4	2-7/16	1-1/4	41-1/4	PY1050R20
10	5	5000	5-1/4	2-7/16	1-1/2	41-1/4	PY1050R24
10	5	5000	5-1/2	2-7/16	1	39-1/4	PY1050T16
10	5	5000	5-1/2	2-7/16	1-1/4	39-1/4	PY1050T20
12	3	3420	3-1/4	1-15/16	1	28-1/4	PY1230R16
12	3	3420	3-1/4	1-15/16	1-1/4	28-1/4	PY1230R20
12	3	3420	3-1/2	1-15/16	3/4	28	PY1230T12
12	3	3420	3-1/2	1.98	1	28	PY1230T16
12	3	3420	3-1/2	2.33	1-1/4	28	PY1230T20
12	3	3420	3-1/4	2-7/16	1-1/4	27-1/2	PH1230R20
12	3	3420	3-1/4	2-7/16	1-1/2	27-1/2	PH1230R24
12	4	4800	4-1/4	2-7/16	1-1/4	36-3/4	PY1240R20
12	4	4800	4-1/4	2-7/16	1-1/2	36-3/4	PY1240R24
12	4	4800	4-1/2	2-7/16	1	35-1/2	PY1240T16
12	4	4800	4-1/2	2-7/16	1-1/4	35-1/2	PY1240T20
12	5	6000	5-1/4	2-7/16	1-1/4	48	PY1250R20
12	5	6000	5-1/4	2-7/16	1-1/2	48	PY1250R24
12	5	6000	5-1/2	2-7/16	1	47	PY1250T16
12	5	6000	5-1/2	2-7/16	1-1/4	47	PY1250T20

Continued on Next Page

POLYURETHANE/CAST IRON CORE

POLYURETHANE/CAST IRON PY/PH

Continued

* R=Roller bearing, P=Precision Ball Bearing
T=Tapered Roller Bearing

Dia. (inch)	Width (inch)	Capacity (lbs)	Hub Length (inch)	Bore (inch)	Bearing (inch)	Wt. (lbs)	Part Number*
14	4	5000	4-1/4	2-7/16	1-1/4	48-1/2	PY1440R20
14	4	5000	4-1/4	2-7/16	1-1/2	48-1/2	PY1440R24
14	4	5000	4-1/2	2-7/16	1	47-1/2	PY1440T16
14	4	5000	4-1/2	2-7/16	1-1/4	47-1/2	PY1440T20
16	3	4260	4-1/4	2-7/16	1-1/4	51	PY1630R20
16	3	4260	4-1/4	2-7/16	1-1/2	51	PY1630R24
16	3	4260	4-1/2	2-7/16	1	49-3/4	PY1630T16
16	3	4260	4-1/2	2-7/16	1-1/4	49-3/4	PY1630T20
16	4	5970	5-1/4	2-7/16	1-1/4	65	PY1640R20
16	4	5970	5-1/4	2-7/16	1-1/2	65	PY1640R24
16	4	5970	5-1/4	3-1/16	1-3/4	65	PY1640R28
16	4	5970	5-1/2	2-7/16	1-1/4	63	PY1640T20
16	5	7700	5-1/4	2-7/16	1-1/4	85	PY1650R20
16	5	7700	5-1/4	2-7/16	1-1/2	85	PY1650R24
16	5	7700	5-1/4	3-1/16	1-3/4	85	PY1650R28
16	5	7700	5-1/4	3-1/4	2	85	PY1650R32
16	5	7700	5-1/2	2-7/16	1-1/4	85	PY1650T20
18	3	4600	4-1/4	2-7/16	1-1/4	59	PY1830R20
18	3	4600	4-1/4		1-1/2	59	PY1830R24
18	3	4600	4-1/2	2-7/16	1-1/4	57-3/4	PY1830T20
18	4	6500	5-1/4	2-7/16	1-1/4	83	PY1840R20
18	4	6500	5-1/4		1-1/2	83	PY1840R24
18	4	6500	5-1/2	2-7/16	1-1/4	81-3/4	PY1840T20
18	5	8400	5-1/4	2-7/16	1-1/2	89	PY1850R24
18	5	8400	5-1/4	3-1/16	1-3/4	89	PY1850R28
18	5	8400	5-1/4	3-1/4	2	89	PY1850R32
18	5	8400	5-1/2	2-9/16	1-1/2	87-3/4	PY1850T24

POLYURETHANE/ CAST IRON - PF

Capacity Up to 4400 lbs.



Dia. (inch)	Width (inch)	Capacity (lbs)	Hub Length (inch)	Bore (mm)	Bearing (inch)	Part Number
6	3	3800	3-1/2	62	3/4	PF63P12
8	3	4000	3-1/2	62	3/4	PF83P12
10	3	4200	3-1/2	62	3/4	PF1030P12
12	3	4400	3-1/2	62	3/4	PF1230P12

Polyurethane treaded wheels firmly bonded to precision machined cast iron cores. The PF wheels are designed to reduce noise problems and offer cushion to loads. Large diameter precision bearings offer ease of rolling.

POLYURETHANE/CAST IRON CORE

ECONOMY POLYURETHANE/ CAST IRON CORE - PI

Capacity Up to 3500 lbs.



Composed of a polyurethane elastomer, open cast or injection molded, on clean, close tolerance cores. Polyurethane tread is chemically bonded to a cast iron core. High capacity polyurethane protects floors, is non-marking and delivers quieter operation than standard metal wheels.

Features

- **Hardness:** 95 Shore A
- **Wheel Face:** Available in flat tread
- **Finish:** Green tread on silver painted core
- **Temperature Range:** -40°F up to +180°F

Wheel Options

- Now available in 2-1/2" and 3" tread width models, consult Acorn™.
- **Note:** Select bearings featured are recommended for standard applications. For special applications or alternate bearings consult factory.
- For customization & special application options, please consult Acorn™.

Dia. (inch)	Width (inch)	Capacity (lbs.)	Hub Length (inch)	Bore (inch)	Bearing (inch)	Bearing Type	Part Number*
4	2	700	2-7/16	1-3/16	1/2	Industrial Ball	PI42B08
4	2	700	2-3/16	1-3/16	5/8	Roller	PI42R10
4	2	700	2-3/16	1-3/16	3/4	Roller	PI42R12
4	2	700	2-3/16	1-3/16	1-3/16	Plain	PI4219
5	2	1000	2-7/16	1-3/16	1/2	Industrial Ball	PI52B08
5	2	1000	2-3/16	1-3/16	3/4	Roller	PI52R12
5	2	1000	2-3/16	1-3/16	1-3/16	Plain	PI5219
6	2	1200	2-7/16	1-3/16	1/2	Industrial Ball	PI62B08
6	2	1200	2-3/16	1-3/16	1/2	Ped. Prec. Ball	PI62P08
6	2	1200	2-3/16	1-3/16	5/8	Roller	PI62R10
6	2	1200	2-3/16	1-3/16	3/4	Roller	PI62R12
6	2	1200	2-3/16	1-3/16	3/4	Delrin	PI62D12
6	2	1200	2-3/16	1-3/16	1-3/16	Plain	PI6219
6	3	2000	3-1/4	1-15/16	1-15/16	Plain	PI6331
8	2	1400	2-7/16	1-3/16	1/2	Industrial Ball	PI82B08
8	2	1400	2-7/16	1-3/16	1/2	Ped. Prec. Ball	PI82P08
8	2	1400	2-3/16	1-3/16	3/4	Roller	PI82R12
8	2	1400	2-3/16	1-3/16	1-3/16	Plain	PI8219
8	3	2500	3-1/4	1-15/16	1	Roller	PI83R16
8	3	2500	3-1/4	1-15/16	1-15/16	Plain	PI8331
10	3	3000	3-1/4	1-15/16	1	Roller	PI1030R16
10	3	3000	3-1/4	1-15/16	1-15/16	Plain	PI103031
12	3	3500	3-1/4	1-15/16	1	Roller	PI1230R16
12	3	3500	3-1/4	1-15/16	1-15/16	Plain	PI123031

*PL = Plain Bearing; R = Roller Bearing; P = Pedestal Bearing

POLYURETHANE/ALUMINUM CORE

POLYURETHANE/ ALUMINUM CORE - PD

Capacity Up to 7500 lbs.



Composed of a polyurethane elastomer, open cast or injection molded, on clean, close tolerance cores. Polyurethane tread is chemically bonded to aluminum core. High capacity polyurethane protects floors, is non-marking and delivers quieter operation than standard metal wheels. PA wheels feature **cast** aluminum core. PD wheels feature **die cast** aluminum cores.

Features

- **Hardness:** 95 Shore A (Cast Aluminum Core) and 60 Shore D (Die Cast Aluminum Core).
- **Finish:** Green tread on aluminum core.
- **Temperature Range:** -40° to +180°F.

Wheel Options

- **Note:** Select bearings featured are recommended for standard applications. For special applications or alternate bearings consult Acorn™.
- For customization & special application options, please consult Acorn™.

Dia. (inch)	Width (inch)	Capacity (lbs)	Hub Length (inch)	Bore (inch)	Bearing (inch)	Wt. (lbs)	Part Number
4	2	700	2-3/16	1-3/16	1/2	1-1/2	PD42R08
4	2	700	2-3/16	1-3/16	5/8	1-1/2	PD42R10
4	2	700	2-3/16	1-3/16	3/4	1-1/2	PD42R12
5	2	1050	2-3/16	1-3/16	1/2	1-3/4	PD52R08
5	2	1050	2-3/16	1-3/16	5/8	1-3/4	PD52R10
5	2	1050	2-3/16	1-3/16	3/4	1-3/4	PD52R12
6	2	1230	2-3/16	1-3/16	1/2	2-1/4	PD62R08
6	2	1230	2-3/16	1-3/16	5/8	2-1/4	PD62R10
6	2	1230	2-3/16	1-3/16	3/4	2-1/4	PD62R12
8	2	1500	2-3/16	1-3/16	1/2	3-1/4	PD82R08
8	2	1500	2-3/16	1-3/16	5/8	3-1/4	PD82R10
8	2	1500	2-3/16	1-3/16	3/4	3-1/4	PD82R12
8	3	2520	3-1/4	1-15/16	1	4-1/4	PD83R16
8	3	2520	3-1/4	1-15/16	1-1/4	4-1/4	PD83R20
8	3	2520	3-1/4	1-15/16	3/4	4-1/4	PD83P12
10	3	3000	3-1/4	1-15/16	1	5	PD103R16
10	3	3000	3-1/4	1-15/16	1-1/4	5	PD103R20
10	3	3000	3-1/4	1-15/16	3/4	5	PD103P12
12	6	7500	6-1/2	2.33	1-1/4	25-3/4	PA126T20

* R = Roller Bearing; T = Tapered Bearing; P = Precision Bearing
CUSTOM STRAIGHT-SIDED ALUMINUM CORES WITH PRECISION BEARINGS ARE AVAILABLE FOR ANY DUROMETER POLYURETHANE.

ROUND TREAD POLYURETHANE/ALUMINUM CORE

POLYURETHANE/ ALUMINUM CORE - PM

Capacity Up to 1500 lbs.



Features

- **Hardness:** 90 Shore A (green) or 80 Shore A (butterscotch).
- Wheels furnished complete with top hats spacers and sealed precision bearings.
- **Wheel face:** Donut tread.
- **Finish:** Green tread (90 Shore A) on aluminum core.
- **Temperature Range:** -40°F to +180°F.

Dia. (inch)	Width (inch)	Capacity (lbs)	Hub Length (inch)	Bore (inch)	Bearing (inch)	Wt. (lbs)	Part Number*
5	2	1000	2-7/16	1-9/16	1/2	2	PM52P08
6	2	1250	2-7/16	1-9/16	1/2	3	PM62P08
8	2	1500	2-7/16	1-9/16	1/2	4	PM82P08
5	2	1000	2-7/16	1-9/16	1/2	2	PM52P0890A
6	2	1250	2-7/16	1-9/16	1/2	3	PM62P0890A
8	2	1500	2-7/16	1-9/16	1/2	4	PM82P0890A

*P = Precision Bearing

Composed of a polyurethane elastomer, open cast or injection molded, on clean, close tolerance cores. Wheels feature a chemical and mechanical lock of tread to the core. High capacity polyurethane protects floors, is non-marking and delivers quieter operation than standard metal wheels.

Wheel Options

- Standard 90A Shore A
- Available in **80 Shore A**
Change **PM52P0880A**



Tread is mechanically and chemically bonded through a patented process to a light weight durable aluminum core.

POLYURETHANE/ ALUMINUM CORE - AX

Capacity Up to 1500 lbs.



Features

- **Hardness:** 80 Shore A.
- Wheels furnished complete with top hats spacers and sealed precision bearings.
- **Wheel Face:** Donut tread.
- **Finish:** Red.
- **Temperature Range:** -40°F to +180°F.

Dia. (inch)	Width (inch)	Capacity (lbs)	Hub Length (inch)	Bore (inch)	Bearing (inch)	Wt. (lbs)	Part Number*
5	2	1000	2-7/16	1-9/16	1/2	2	AX52P08
6	2	1250	2-7/16	1-9/16	1/2	3	AX62P08
8	2	1500	2-7/16	1-9/16	1/2	4	AX82P08

*P = Precision Bearing

The best ergonomic solution wheel.
Available in 3 sizes. Hand push and towable.
Long life wheel.

POLYURETHANE'S NEXT GENERATION

95 SHORE A

EASILY HANDLES TOUGH ENVIRONMENTS

NO CORROSION 100% BOND TO CORE

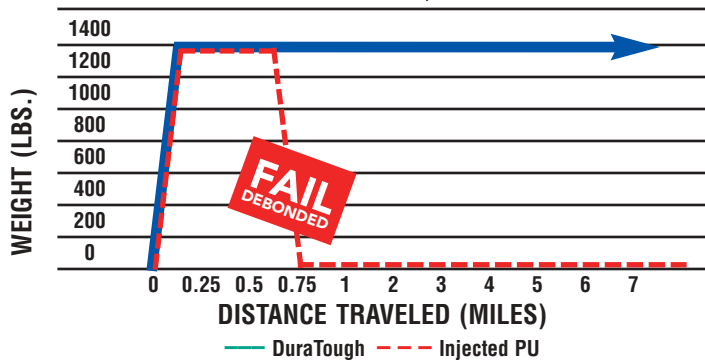
DURATOUGH

DUCTILE POLYURETHANE ON POLYOLEFIN- PTU



ENDURANCE TEST REPORT

Method: Drum + 3mm bump bar • 8 x 2 PPU



HI-TECH POLYURETHANE ON POLYOLEFIN - PTU

Capacity **Up to 1000 lbs.**



Features

- 90-95 Durometer Shore A Polyurethane Tread mechanically bonded to polyolefin core.
- High capacity and lightweight.
- Resists oil, grease, water, and most solvents.
- Smooth rolling and quiet.
- Non-marking.
- Liquid cast flow through 100% polyurethane tread.
- Multi-year tread durability.
- Temperature -45°F up to +180°F.

Diameter (inch)	Width (inch)	Hub Length	Capacity (lbs)	Precision Ball Bearing*	Part Number
3	1-1/4	1-9/16	250	34	314PTU
3-1/2	1-1/4	1-9/16	250	34	3514PTU
4	1-1/4	1-9/16	300	34	414PTU
4	2	2-3/16	700	38, 38Q	420PTU*
5	2	2-3/16	750	38, 38Q	520PTU*
6	2	2-3/16	900	38, 38Q	620PTU*
8	2	2-3/16	1000	38, 38Q	820PTU*

*Precision ball bearings 38 - 1/2" or 38Q - 1/2"HD

POLYURETHANE ON POLYOLEFIN - PPU

Capacity Up to 1000 lbs.



Features

- Injection Molded Polyurethane.
- 90-95 Durometer Shore A Polyurethane Tread mechanically bonded to polyolefin core.
- High capacity and lightweight.
- Resists oil, grease, water, and most solvents.
- Smooth rolling and quiet
- Non-marking.
- Various colors available.
- Temperature -45°F up to +180°F.

Diameter (inch)	Width (inch)	Hub Length	Capacity (lbs)	Precision Ball Bearing*	Part Number
4	2	2-3/16	700	38, 38Q	420PPU*
5	2	2-3/16	750	38, 38Q	520PPU*
6	2	2-3/16	900	38, 38Q	620PPU*
8	2	2-3/16	1000	38, 38Q	820PPU*

*Precision ball bearings 38 - 1/2" or 38Q - 1/2"HD

HEAVY DUTY POLYURETHANE ON ALUMINUM - TUA & DUA

Capacity Up to 2000 lbs.



Features

- High tech grade polyurethane tread.
- Softer 85 Durometer Shore A deflects debris.
- Non-marking.
- Unmatched load capacities in its class.
- Ideal for towline applications.
- Multi-year tread durability.
- Temperature -40°F up to +180°F.

Diameter (inch)	Width (inch)	Hub Length	Capacity (lbs)	Precision Ball Bearing	Flat Tread Number	Donut Tread Number
4	2	2-7/16	1000	63		420DUA63MT
5	2	2-7/16	1200	63		520DUA63MT
6	2	2-7/16	1500	63	620TUA63MT	620DUA63MT
8	2	2-7/16	2000	63	820TUA63MT	820DUA63MT
8	2	2-7/16	2000	64	820TUA64MT	

SOLID POLYURETHANE - SPU

Capacity Up to 1400 lbs.



Features

- 60 Durometer Shore D.
- Meets FDA requirements.
- 100% washable.
- All one piece mold design eliminates bonding failure.
- High impact and abrasion resistant.
- Resists oil, grease, water, and most solvents.
- Temperature -45°F up to +180°F.

Diameter (inch)	Width (inch)	Hub Length	Capacity (lbs)	Precision Ball Bearing*	Part Number
4	2	2-3/16	700	38, 38Q	420SPU*
5	2	2-3/16	1200	38, 38Q	520SPU*
6	2	2-3/16	1200	38, 38Q	620SPU*
8	2	2-3/16	1400	38, 38Q	820SPU*

*Precision ball bearings 38 - 1/2" or 38Q - 1/2"HD

POLYURETHANE ON GLASS-FILLED NYLON - MU & MX

Capacity Up to 4500 lbs.



Features

- MU: 10mm thick polyurethane tread.
- MX: 23mm thick polyurethane tread.
- 90-95 Durometer Shore A green tread.
- 60-70 Durometer Shore A maroon or blue tread.
- Lightweight reinforced glass filled nylon core.
- Non-marking, non-staining, non-conductive tread.
- Resists oil, grease, water, and most solvents.
- Multi-year tread durability.
- Temperature -45°F up to +180°F.

Diameter (inch)	Width (inch)	Hub Length	Capacity (lbs)	Precision Ball Bearing*	Part Number
4	2	2-3/16	800	38, 38Q	420MU*
5	2	2-3/16	1400	38, 38Q	520MU*
6	2	2-3/16	1400	38, 38Q	620MU*
8	2	2-3/16	1800	38, 38Q	820MU*
8	3	3-1/4	3700	38, 38Q	830MX*
10	3	3-1/4	4500	38, 38Q	1030MX*

*Precision ball bearings 38 - 1/2" or 38Q - 1/2"HD

HEAVY DUTY POLYURETHANE ON STEEL - EX

Capacity **Up to 4500 lbs.**



Features

- 90-95 Durometer Shore A.
- Extra Heavy Duty cast iron core.
- Extra thick 3/4" polyurethane tread.
- Temperature -45°F up to +180°F.

Diameter (inch)	Width (inch)	Hub Length	Capacity (lbs)	Precision Ball Bearing	Part Number
6	3	3-1/4	3000	39	630EX39
8	3	3-1/4	3500	39	830EX39
10	3	3-1/4	4000	39	1030EX39
12	3	3-1/4	4500	39	1230EX39
12	4	4-1/4	6000	39	1240EX39

POLYURETHANE/ POLYPROPYLENE CORE - XA

Capacity Up to 1500 lbs.



1-1/4 in. wide wheel 2 and 2-1/2 in. wide wheels

Excellent properties where washdown of material handling equipment is required. Tread is mechanically locked to an injection molded polymer core to prevent separation. Polyurethane wheels offer greater load capacity than rubber. They offer excellent floor protection. These wheels resist chemicals, acids, caustics and oils. Color is gray on gray core.

Features

- **Hardness:** 90 Shore A.
- **Wheel Face:** Moderate crown.
- **Finish:** Gray tread on gray core.
- **Temperature Range:** -40°F to +180°F.

Dia. (inch)	Width (inch)	Capacity (lbs.)	Hub Length (inch)	Bore (inch)	Bearing (inch)	Wt. (lbs)	Part Number Roller Bearing (01)	Part Number Precision Bearing (28)
3	1-1/4	300	1-5/8		3/8	3/8	XA0303106	XA0302806*
3-1/2	1-1/4	360	1-1/2		3/8	3/8	XA03X3106	XA03X2806*
4	1-1/4	400	1-1/2		3/8	1/2	XA0403106	XA0402806*
4	2	600	2-1/2	1-3/16	3/4	1/2	XA04X3106	-
5	1-1/4	440	1-5/8		3/8	3/4	XA0503106	XA0502806*
5	2	750	2-1/2	1-3/16	3/4	1-3/4	XA0520112	-
6	2	900	2-1/2	1-3/16	3/4	2-1/2	XA0620112	-
8	2	1000	2-1/2	1-3/16	3/4	2-3/4	XA0820112	-
10	2-1/2	1500	3-1/4	1-15/16	1	3	XA1040116	-
10	2-1/2	1500	3-1/2		1	4	-	XA01042812

* R = Roller Bearing; T = Tapered Bearing; P = Precision Bearing

Wheels are complete with spanner bushing and nylon sealed retaining thrust washer. Complete with thread guard spacer.

POLYFLEXON® - UA

Capacity Up to 1000 lbs.



Mechanically and Chemically Bonded Tread.

Features

- Uniquely formulated “Flex Compound” polyurethane elastomer is chemically and mechanically bonded to a precision aluminum core; double bonding helps prevent tread separation and assures reliable mobility.
- Combination of the round PolyFlexon® tread and sealed precision ball bearings minimizes surface friction, enables wheel to turn easily and requires less effort to start up and maintain a rolling load.
- PolyFlexon wheel offers a semi-cushioned ride, is non-marking and is capable of rolling over small debris (metal shavings, door & floor joints, etc.)
- Great for manual or power assisted (towline) applications.
- Durometer: 85 Shore A +/-5.
- Temperature range: -45°F to +180°F.

Diameter (inch)	Width (inch)	Hub Length	Capacity (lbs)	Precision Ball Bearings*	Part Number
6	2	2-3/16	900	63, 72	UA60JN*
8	2	2-3/16	1000	63, 72	UA80JN*

Replace* with desired bearing code.

63 Precision ball bearing (w/top hats) ID 1/2”

72 SS Sealed precision ball bearing (w/top hats) ID 1/2”

POLYFLEXON® CAST - RP

Capacity Up to 1000 lbs.



Features

- Uniquely formulated “Flex Compound” polyurethane elastomer is chemically bonded to a precision aluminum core; double bonding helps prevent tread separation and assures reliable mobility.
- Combination of the round PolyFlexon® tread and sealed precision ball bearings minimizes surface friction, enables wheel to turn easily and requires less effort to start up and maintain a rolling load.
- PolyFlexon wheel offers a semi-cushioned ride, is non-marking and is capable of rolling over small debris (metal shavings, door & floor joints, etc.)
- Great for manual pushed carts & equipment.
- Durometer: 85 Shore A +/-5.
- Temperature range: -45°F to +180°F.

Diameter (inch)	Width (inch)	Hub Length	Capacity (lbs)	Precision Ball Bearings*	Part Number
4	2	2-3/16	700	48, 63	RP40JK*
5	2	2-3/16	800	48, 63	RP50JK*
6	2	2-3/16	900	48, 63	RP60JK*
8	2	2-3/16	1000	48, 63	RP80JK*

Replace* with desired bearing code.

48 Dual Row sealed precision ball bearing ID 3/8”

63 Precision ball bearing (w/top hats) ID 1/2”

POLYON™ - PU

Capacity Up to 1400 lbs.



Features

- Polyurethane elastomer tread. chemically bonded to cast iron core.
- Offers higher weight capacities while providing good floor protection and quiet rolling operation
- Optional precision ball bearing and tapered roller bearings require less effort to start up and maintain a rolling load; they also generate less friction heat and may prolong the life of the wheel.
- Works well in both indoor and outdoor environments; however cast iron core can rust; if this is an issue look at using aluminum or plastic core wheels.
- Colors: (G) green & (V) red.
- Durometer: 95 Shore A +/-5.
- Temperature range: -40°F to +180°F.

Diameter (inch)	Width (inch)	Hub Length	Capacity (lbs)	Roller Bearings	Precision Ball Bearings*	Tapered Bearings	Part Number
4	2	2-3/16	800	02, 04, 09, 92	63	73	PU40J*
5	2	2-3/16	1100	02, 04, 09, 92	63	73	PU50J*
6	2	2-3/16	1200	02, 04, 09, 92	63	73	PU60J*
6	3	3-1/4	2000	24, 26	65		PU60L*
8	2	2-1/4	1400	07, 22	63	73	PU80JV*
8	3	3-1/4	2500	24, 26	65		PU80L*
10	3	3-1/4	3000	24, 26	65		PU10L*
12	3	3-1/4	3500	24, 26	65		PU12L*

Replace* with desired bearing code. 63 Precision ball bearing (w/top hats) ID 1/2"

65 Precision ball bearing (w/top hats) ID 3/4"

ULTRA-POLY® CAST - EX

Capacity Up to 6500 lbs.



Features

- 3/4" thick ultra strong polyurethane elastomer tread chemically bonded to a solid heavy-duty cast iron core.
- Combination of thick tread and heavy core, offers higher weight capacities and provides greater durability than other molded polyurethane tread wheels.
- Optional precision ball bearings and tapered roller bearings offer higher weight capacities and require less effort to start up and maintain a rolling load.
- Provides excellent floor protection and quiet rolling operation.
- Color: green on black.
- Durometer: 50 Shore D +/-5.
- Temperature range: -40°F to +180°F.

Diameter (inch)	Width (inch)	Hub Length	Capacity (lbs)	Precision Ball Bearings*	Part Number
6	3	3-1/4	3000	65, 67	EX60LG*
8	3	3-1/4	3500	65, 67	EX80LG*
8	4	4-1/4	4000	68	EX80NG*
10	3	3-1/4	4000	65, 67	EX10LG*
10	4	4-1/4	5500	68	EX10NG*
12	3	3-1/4	5000	65, 67	EX12LG*
12	4	4-1/4	6500	68	EX12NG*

Replace* with desired bearing code. 65 sealed precision ball bearing ID 3/4"

67, 68 sealed precision ball bearing ID 1"

CHAMPION™ - CP

Capacity Up to 1500 lbs.



Features

- 1-3/16" thick ultra-flex compound polyurethane elastomer tread chemically bonded to a mag style aluminum core, sets a new standard in high quality wheels; maximizing load capacity, shock load, and vibration stabilization.
- Combination of thick ultra-flex tread and oversized sealed precision ball bearings minimizes rolling resistance.
- Elastic properties of ultra-flex tread provide excellent abrasion resistance and a cushioned ride that easily rolls over debris and small obstructions (metal shavings, electrical cords, floor joints, etc), offers maximum floor protection, high impact strength and ultra quiet rolling operation.
- Great for manual or power assisted applications.
- Color: green.
- Durometer: 70 Shore A +/-5.
- Temperature range: -40°F to +180°F.

Diameter (inch)	Width (inch)	Hub Length	Capacity (lbs)	Sealed Precision BB w/top hats*	Part Number
6	2	2-7/16	1200	64 = 6204	CP60JN64*
8	2	2-7/16	1500	64 = 6204	CP80JN64*

Replace* with desired bearing code.

Bearing/top hat bushing 1/2"

ENERGY SAVER POLYON™ - SW

Capacity Up to 3000 lbs.



Features

- Crowned polyurethane elastomer tread chemically bonded to a solid heavy-duty cast iron core.
- Combination of crowned tread and heavy core, offers higher weight capacities, durability and greater mobility than standard Polyon™ wheels.
- Optional precision ball bearings and tapered roller bearings require less effort to start up and maintain a rolling load; they also generate less friction heat and may prolong the life of the wheel.
- Provides good floor protection and quiet rolling operation.
- Color: dark blue on black.
- Durometer: 95 Shore A +/-5.
- Temperature range: -40°F to +180°F.

Diameter (inch)	Width (inch)	Hub Length	Capacity (lbs)	Precision Ball Bearings*	Part Number
6	2	2-7/16	1200	63	SW60JU*
8	2	2-7/16	1500	63	SW80JU*
8	3	3-1/4	3000	65	SW80LU*
10	3	3-1/4	3000	65	SW10LU*

Replace** with desired bearing code.

63 Precision ball bearing (w/top hats) ID 1/2"

65 Precision ball bearing (w/top hats) ID 3/4"

POLYMADIC™ PREMIUM POLYURETHANE - PM

Capacity **Up to 1000 lbs.**



Features

- High performance UV resistant, liquid cast polyurethane elastomer; mechanically locked onto an injection molded polyolefin core; takes more abuse and has a longer service life than standard PP wheels.
- 1-1/4" wide wheels are maroon on gray, with sanitary style (no thread guards) dished out core and dual row annular ball bearings, offering improved mobility and stability-axle can be completely tightened without binding the bearing. 2" wide wheels have a dark gray tread on gray core.
- Optional no seam style available (for upcharge): No seam on the wheel tread reduces the possibility of leaving indentations on soft floors. (wood, linoleum, etc.) Change wheel designation to "PS".
- Durometer: 60 Shore D +/-5.
- Temperature range: -45°F to +180°F.

Diameter (inch)	Width (inch)	Hub Length	Capacity (lbs)	Precision Ball Bearings*	Part Number
4	2	2-3/16	600	60, 6S, 63, 73	PM40JI*
5	2	2-3/16	750	60, 6S, 63, 73	PM50JI*
6	2	2-3/16	900	60, 6S, 63, 73	PM60JI*
8	2	2-3/16	1000	60, 6S, 63, 73	PM80JI*

Replace* with desired bearing code.

60 Sealed precision ball bearing (flanged) ID 1/2"

6S SS Sealed precision ball bearing (flanged) ID 1/2"

63 Precision ball bearing (w/top hats) ID 1/2"

73 Tapered bearing (w/top hats) ID 1/2"

POLYURETHANE SHOPPING CART WHEEL - XB

Capacity Up to 350 lbs.



Designed specifically for the shopping cart industry. Tread is mechanically locked to an injection molded polymer core to prevent separation. Polyurethane wheels offer greater load capacity than rubber. They offer excellent floor protection. These wheels resist chemicals, acids, caustics and oils.

Features

- **Tread Hardness:** 60 Shore D.
- **Wheel Face:** Moderate crown.
- **Finish:** Blue Tread with Blue Thread Guard.
- **Temperature Range:** -40°F to +180°F.

Wheel Options

- **Custom colors.**
- Special durometers.
- For customization & special application options, please consult Acorn™.

Dia. (inch)	Width (inch)	Capacity (lbs)	Hub Length (inch)	Bore (inch)	Bearing (inch)	Approx. Wt. (lbs)	Part Number
5	1-1/4	350	1-1/2	1.26	5/16	3/4	XB050310508
5	1-1/4	350	1-1/2	1.26	3/8	3/4	XB050310610



Anti-Static replacement wheel specify XB-PL-0512-05-AS

Wheel utilizes a synthetic resin impregnated with electrically conductive material in the wheel. With each revolution, the conductor makes contact with the floor reducing static build-up.



Self-Decelerating replacement wheel specify XB-PL-0512-05-SD

Our self-deceleration wheel covers are made of polymer, that encompass and compress our bearing protecting polyurethane shock absorber. This provides you with adjustable self-deceleration.

SOLID POLYURETHANE WHEELS



KRYPTONIC™



SOLID ELASTOMER/NYLON CORE

	<u>PAGE</u>
Kryptonite™	58
Solid Elastomer	59-62

KRYPTONIC™

An excellent problem solver to prevent tire separation in washdown environments where food, dirt and/or other particles can create unsanitary and unsatisfactory conditions and steam cleaning and cleanliness is a must. Meets FDA requirements and stands up to refrigeration and steam cleaning.

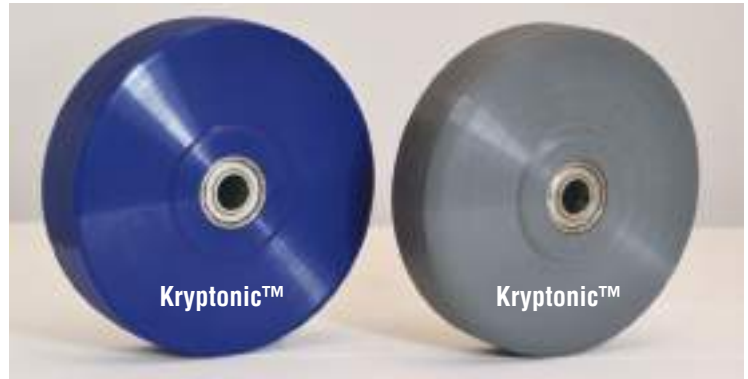
Features

- **Capacity:** Polyether Polyurethane has excellent carrying capacity - loads to 1500 lbs.
- **Noise Level:** Crown shape affords an easy-rolling, quiet operation. Quieter than phenolics, polyolefin, nylon and other polyurethanes.
- **Floor Protective:** Non-marking tread with no separation problems.
- **Resiliency:** The Polyether Polyurethane tread cushions the load and rolls over obstructions easier. Rebounds up to 80% compared to 35% for typical polyester polyurethane. No flat spotting under suggested load and temperature conditions.
- **Abrasion Resistance:** Greater service life and resistance to chunking, cutting and abrasive wear. Tests indicate that 10 months on rough concrete will wear less than 0.050" compared to 1.0" for macerated canvas phenolic.
- **Chemical Resistance:** Polyether Polyurethane is completely washable (Steam Cleanable) and resistant to most chemicals. Suitable for use in all environments with the exception of continuous exposure to strong acids, strong bases, aromatic hydrocarbons and chlorinated solvents.
- **Concentrated Load:** 4000 lbs applied on the running surface with a 1" dia. indentor to simulate a round obstacle on a work floor produced no permanent deformation.

For Wet Applications:

Stainless steel sealed precision bearings are recommended along with stainless steel rigs.

- Solid one-piece design
- Unbreakable & Steam Cleanable
- Ratings to 800 lbs.



(KR) Blue Krypton™
Straight Sided Wheel
w/Precision Ball Bearings

(KR/HT) Gray Krypton™
Straight Sided Wheel
Precision Ball Bearings
available in 5-1/4" size only

Dia. (inch)	Width (inch)	Capacity (lbs)	Hub Length (inch)	Bearing ID (in)	Wt. (lbs)	Part Number*
3	1-1/4	300	1-9/16	1/2	1	KR0312P08
4	1-1/4	300	1-9/16	1/2	1-1/2	KR0412P08
5	1-1/4	300	1-9/16	1/2	2	KR0512P08
4	2	500	2-7/16	1/2	2	KR0420P08
5	2	600	2-7/16	1/2	2-1/2	KR0520P08
6	2	700	2-7/16	1/2	3	KR0620P08
8	2	800	2-7/16	1/2	4	KR0820P08

*P = Stainless Steel Precision Ball Bearing

For Krypton™ High Temp, change "KR" to "KR/HT" in the part number.
END CAPS ARE PROVIDED WITH EACH WHEEL TO FIT AXLE SIZE.

(KR) (BLUE) KRYPTONIC™ WHEEL

- **Average Hardness:** 58 SHORE D Durometer
- **Tensile Strength:** 4000 psi
- **Temperature Range:** Up to 250° F (1/2 hour)
- **Tread Coloration:** (KR) Blue Wheels

(KR/HT) HIGH TEMP (GRAY) KRYPTONIC™ WHEEL

- **Average Hardness:** 60 SHORE D Durometer
- **Tensile Strength:** 4145 psi
- **Temperature Range:** Up to 250° F (5-6 hours)
- **Tread Coloration:** (KR/HT) Gray Wheels
Available in 5" size only

Applications

Pharmaceuticals, Health Care, Canneries, Cheese Factories, Meat Packing Plants, Food Processing, Slaughter Houses, Fish Plants, Laboratory Research



(SEN) Solid Elastomer Wheel
with pre-loaded sealed
precision ball bearings

SEN Solid Elastomer Wheels have super strength solid cast polyurethane elastomer one piece design with mechanically locked glass filled nylon bearing core, offers the best durability and performance of any elastomer type wheel on the market.

Features

- Precision and tapered bearings for towline use.
- 100% washable, steam cleanable, chemical resistant.
- Extreme impact strength, abrasion and compression resistance, will not flat spot when used within capacity rating.
- Meets FDA requirements.
- Offers a smooth ergonomic ride; easy start up.
- Bearing collar disperses heat away from elastomer wheel.
- **Color:** Gray with black core/bearing collar.
- **Hardness:** 68 Shore D (+/-5).
- **Temperature range:** - 50 to +180 ° F.

Options

- **Green or Yellow** Anti-static wheels, change SEN to SEN/AS/GR (Green) or SEN/AS/YE (Yellow).

Applications

- Food Processing
- Dairies
- Meat Processing
- Bakeries
- Fisheries
- Pharmaceutical

Wheel Dia. (inch)	Tread Width (inch)	Load Capacity (lbs)**	Hub Length (inch)	Bearing ID (inch)	Approx. Weight (lbs)	Part Number*
4	2	1500	2-3/16	1/2	3	SEN042008
5	2	1800	2-3/16	1/2	4	SEN052008
6	2	2100	2-3/16	1/2	5	SEN062008
8	2	2600	2-3/16	1/2	6	SEN082012
8	3	3000	3-1/4	3/4	7	SEN083008
10	3	3200	3-1/4	3/4	8	SEN103012

*P = PRECISION BALL BEARINGS WITH END CAPS
(AVAILABLE WITH STAINLESS STEEL PRECISION BEARINGS AND STAINLESS STEEL END CAPS)

** = MANUAL LOAD RATINGS

SOLID ELASTOMER CHEMICAL RESISTANCE GUIDE

This table lists a broad range of fluids and chemicals which are considered compatible with SEN/SS wheels. Ratings are at 72° F unless specified otherwise. Concentrations of aqueous solutions are saturated, except where noted. Note especially that this data is based on laboratory tests and may vary in practice. Field testing is recommended to confirm these recommendations. Only those chemicals that have little or no effect on the SEN wheel are listed here. Other fluids may have a very minor or major effect. For information on the compatibility of other fluids, contact Acorn™ engineering.

Acetic acid, 20%

Acetic acid, 30%

Acetic acid, glacial

Acetylene

Ammonium chloride solutions

Ammonium sulfate solutions

Amyl acetate

ASTM oil 1 (300°F)

ASTM oil 3 (300°F)

ASTM reference fuel A (158°F)

ASTM reference fuel B (158°F)

ASTM reference fuel C (158°F)

Beer

Borax solutions

Boric acid solutions

Butane

FREON-11

FREON-12

FREON-113

FREON-113 (130°F)

FREON-114

Gasoline

Glue

Glycerin

N-Hexane

Hydrogen

Hydrogen sulfide

Iso-Octane

Calcium chloride solutions

Calcium hypochlorite, 5%

Carbon dioxide

Carbon monoxide

Citric acid solutions

Copper chloride solutions

Copper sulfate solutions

Cyclohexane

Dibutyl phthalate

Diethyl sebacate

Diethyl phthalate

Ethyl alcohol

Ethylene glycol

Ethylene oxide

Isopropyl alcohol

JP-4 (100°F)

Lubricating oils

Mercury

Methyl alcohol

Methyl ethyl ketone

Mineral oil

Naphtha

Oleic acid

Palmitic acid

Potassium hydroxide, dil. solutions

Pydraul 312C

SAE #10 oil

Sea water

Silicone grease

SKYDROL 500

Soap solutions

Sodium chloride solutions

Sodium hydroxide, 20%

Sodium hypochlorite, 5%

Sulfuric acid, up to 5%

Tannic acid, 10%

Trisodium phosphate solutions

Water (158°F)

Xylene

Zinc chloride solutions

PLASTICS

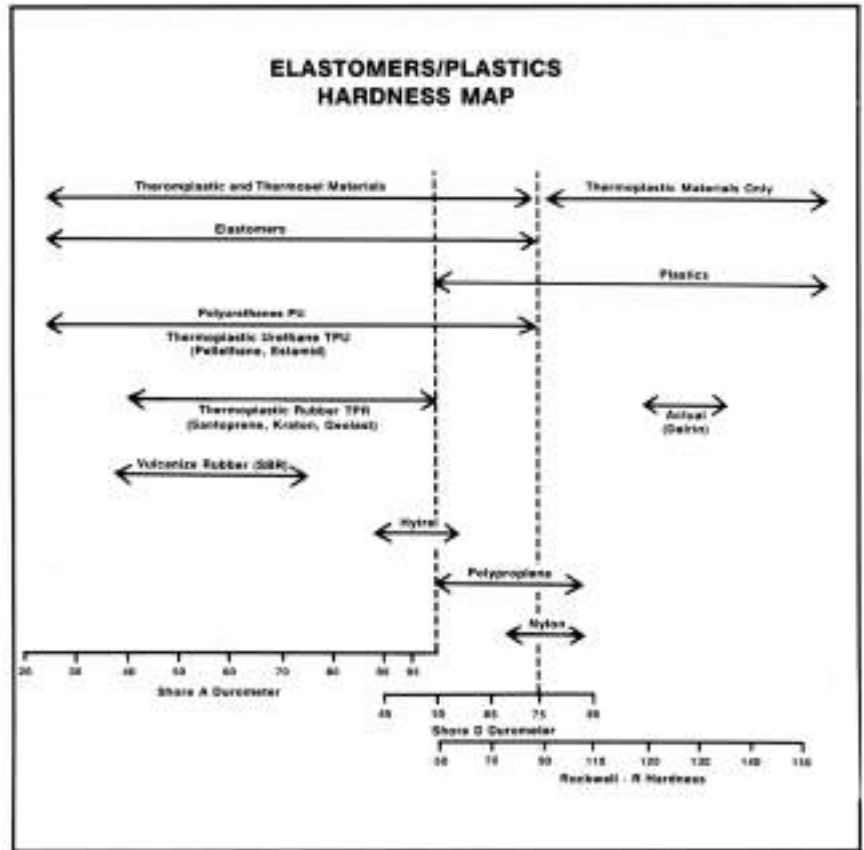
The world of elastomers and plastics has become a very interesting topic with new terms appearing every day. The information in this article is intended to assist in the development of a common language and understanding associated with this topic. Although this information is elementary, we believe you will find it to be useful. In addition, this material will serve as the beginning of a series of articles in this topic area.

In order to build a foundation, we will cover some important terms. **Elastomers** are highly stretchable materials, like rubber. **Plastics**, on the other hand, tend to be more rigid in construction. There is an overlap area related to the hardness characteristic of these materials. The accompanying chart displays the hardness ranges of these general categories, some more specific categories and some brand names encountered from time to time. The hardness overlap area between elastomers and plastics is in the 55 to 75 Shore D durometer range.

Thermoplastic materials tend to be composed of one element. These materials can be heated and reshaped a number of times.

Thermoset materials, on the other hand, usually involve a combination of components. When these components are mixed, heat is usually generated by the chemical reaction. After the combined materials are shaped, they cannot be reshaped.

Urethanes are elastomers which are available in both thermoset and thermoplastic materials. The term TPU refers to a thermoplastic urethane. There are many brand names in the urethane family, e.g. pellethane, estamid, etc. The term PU refers to a thermosetting polyurethane.



Vulcanized rubber is a thermosetting material as well as a SBR (styrenebutadiene rubber). TPR is a thermoplastic material involving many brand names, e.g. Santoprene, Kraton, Geolast, etc.

Hytrell is a thermoplastic material which, like urethane, is an elastomer. Hytrell is at the harder end of the range of hardness available with elastomers. **Polypropylene** is a thermoplastic material which possesses characteristics of both elastomers and plastics. **Nylon** is a thermoplastic material which has primarily the properties of plastics.

The accompanying chart should help you keep the hardness properties of these materials in focus.

EXTREME SOLID ELASTOMER

EXTREME SOLID ELASTOMER - EX/SE

Capacity Up to 1000 lbs.



Features

Heavy duty version of XI wheel.

- **Hardness:** 75 Shore D.
- **Wheel Face:** Moderate crown.
- **Finish:** XI Green.
- **Temperature Range:** up to +200°F.
- **For customization & special application options, please consult Acorn™.**

Dia. (inch)	Width (inch)	Cap. (lbs)	Hub Length (inch)	Bore (inch)	Bearing ID (inch)	Wt. (lbs)	Part Number*
4	2	1000	2-3/16	1-3/16	3/4	1-1/2	EX/SE00042012
5	2	1000	2-3/16	1-3/16	3/4	1-1/2	EX/SE00052012
6	2	1000	2-3/16	1-3/16	3/4	1-3/4	EX/SE00062012
8	2	1000	2-3/16	1-3/16	3/4	4	EX/SE00082012

*Available with Stainless Steel Bearings (29SS).

*00 = Bore size only with no Bearing; P = Precision Ball Bearing; R = Roller Bearing

Designed specifically for high capacity manual applications involving chemicals, solvents or water. X-tremely low rolling resistance provides the ergonomic qualities you demand. One-piece construction affords freedom from tread separation with an exceptionally long life. Non-marking, floor protective tread.

EXTREME PLUS SOLID ELASTOMER - XP

Capacity Up to 2800 lbs.



Features

- **Hardness:** 60 Shore D.
- Premier Solid Poly Wheel.
- Excellent for towing applications.
- **Wheel Face:** Moderate crown.
- **Finish:** XP Gray.
- **Temperature Range:** up to +250°F.
- **For customization & special application options, please consult Acorn™.**

Dia. (inch)	Width (inch)	Capacity (lbs)	Hub Length (inch)	Bore (inch)	Bearing ID (inch)	Part Number*
4	2	1400	2-7/16	1-9/16	1/2	XP0422808
5	2	1200	2-7/16	1-9/16	1/2	XP0522808
6	2	1400	2-7/16	1-9/16	1/2	XP0622808
6	3	1700	3-1/2	2-7/16	3/4	XP0652812
8	2	1200	2-7/16	1-9/16	1/2	XP0822808
8	3	2000	3-1/2	2-7/16	3/4	XP0852812
10	3	2500	3-1/2	2-7/16	3/4	XP1052812
12	3	2800	3-1/2	2-7/16	3/4	XP1252812

*Available with Stainless Steel Bearings (29SS).

*00 = Bore size only with no Bearing; P = Precision Ball Bearing; R = Roller Bearing

	PAGE
Nylacron™ Wheels Euro Dimensions64
Electrically Conductive Wheels65
Nylacron™ Pallet Rollers66
Nylacron™ Conveyor Rollers67-68
Urethane Wheels69-70
Plastic Wheels71
Nylon/Glass- Filled72
Hi-Temp Nylon/Heateater73
Lava™ Wheels74
Polypropylene75
Retort76

NYLACRON™ WHEELS

EURO (MM) DIMENSIONS



**SERIES
NYMC**

NYLACRON™ wheels

High-quality white thermoplastic polyamide. Wheels in extra heavy-duty design made of hard and tough, high compressed cast polyamide with ball bearings (/5).

Item #	Diameter (mm)	Wheel Width (mm)	Hub Length (mm)	Fixing Length (mm)	Hub Diameter (mm)	Bearing ID (mm)	Load Capacity (kg)
NYMC 080/040/5/20 B	80	40	45	45	65	20	1.000
NYMC 100/040/5/20 B	100	40	45	45	65	20	1.250
NYMC 125/055/5/25 B	125	55	60	60	80	25	2.000
NYMC 150/055/5/30 B	150	55	60	60	95	30	2.500
NYMC 150/080/5/35 B	150	80	90	90	100	35	3.000
NYMC 200/055/5/35 B	200	55	60	60	100	35	3.000
NYMC 200/080/5/45 B	200	80	90	90	120	45	4.500
NYMC 250/065/5/45 B	250	65	70	70	120	45	5.000
NYMC 250/080/5/50 B	250	80	90	90	130	50	6.000
NYMC 300/080/5/55 B	300	80	90	90	150	55	7.000
NYMC 300/100/5/70 B	300	110	120	120	180	70	10.000
NYMC 400/110/5/80 B	400	110	120	120	210	80	12.000
NYMC 500/130/5/100 B	500	130	130	130	-	100	15.000

25.4 mm = 1 inch 1 kg = 2.2 lbs

All wheels can fit in US caster rigs.

POLYURETHANE ON NYLON CORE

ELECTRICALLY CONDUCTIVE WHEELS

EURO (MM) DIMENSIONS



SERIES UNC

SERIES UNC/HD

Electrically conductive wheels

Electrically conductive rim with a tread made of high-quality thermoplastic polyurethane (96° Shore A), with ball bearings (/5) or stainless ball bearings (/5R).

Item #	Diameter (mm)	Wheel Width (mm)	Hub Length (mm)	Fixing Length (mm)	Hub Diameter (mm)	Bearing ID (mm)	Load Capacity (kg)
UNC/080/035/5/12	80	35	31	31	41	12	110
UNC/100/040/5/15	100	40	45	41	45	15	160
UNC/125/045/5/15	125	45	45	41	45	15	250
UNC/150/050/5/20	150	50	55	58	65	20	280
UNC/160/050/5/20	160	50	55	51	65	20	300
UNC/200/050/5/20	200	50	55	51	60	20	400
UNC/080/035/5R/12	80	35	31	31	41	12	11
UNC/100/040/5R/15	100	40	45	41	45	15	160
UNC/125/045/5R/15	125	45	45	41	45	15	250
UNC/150/050/5R/20	150	50	55	58	65	20	280
UNC/160/050/5R/20	160	50	55	51	65	20	300
UNC/200/050/5R/20	200	50	55	51	60	20	400

25.4 mm = 1 inch 1 kg = 2.2 lbs

All wheels can fit in US caster rigs.

Electrically conductive wheels with ball bearings

High-quality thermoplastic polyamid. Wheels in heavy-duty design with ball bearings (/5) or stainless ball bearings (/5R).

Item #	Diameter (mm)	Wheel Width (mm)	Hub Length (mm)	Fixing Length (mm)	Hub Diameter (mm)	Bearing ID (mm)	Load Capacity (kg)
UNC/HD/080/035/5/12	80	35	35	33	50	12	300
UNC/HD/100/040/5/15	100	40	45	41	48	15	450
UNC/HD/125/045/5/15	125	40	53	53	60	20	600
UNC/HD/150/050/5/20	150	50	55	53	65	20	600
UNC/HD/200/050/5/20	200	50	55	53	65	20	1.000
UNC/HD/080/035/5R/12	80	35	35	33	50	12	300
UNC/HD/100/040/5R/15	100	40	45	41	48	15	450
UNC/HD/125/045/5R/15	125	40	53	53	60	20	600
UNC/HD/150/050/5R/20	150	50	55	53	65	20	600
UNC/HD/200/050/5R/20	200	50	55	53	65	20	1.000

25.4 mm = 1 inch 1 kg = 2.2 lbs

All wheels can fit in US caster rigs.

NYLACRON™ PALLET ROLLERS

EURO (MM) DIMENSIONS



SERIES NYCPR

Item #	Wheel Diameter (mm)	Roller Width (mm)	Fitting Length (mm)	Bore Diameter (mm)	Load Capacity (kg)
NYCPR/70/066/070/20	70	66	70	20	600
NYCPR/80/057/061/20	80	57	61	20	600
NYCPR/80/057/061/25	80	57	61	25	600
NYCPR/80/070/074/20	80	70	74	20	700
NYCPR/80/070/074/25	80	70	74	25	700
NYCPR/82/066/071/20	82	66	71	20	700
NYCPR/82/070/074/20	82	70	74	20	700
NYCPR/82/072/078/20	82	72	78	20	750
NYCPR/82/091/096/20*	82	91	96	20	900
NYCPR/82/098/102/20	82	98	102	20	1.000
NYCPR/82/098/102/25	82	98	102	25	1.000
NYCPR/82/098/105/20	82	98	105	20	1.000
NYCPR/82/118/122/25	82	118	122	25	1.200
NYCPR/85/046/050/20	85	46	50	20	500
NYCPR/85/059,5/061,5/17*	85	59,9	61,5	17	600
NYCPR/85/061/065/25	85	61	65	25	650
NYCPR/85/063/067/20	85	63	67	20	700
NYCPR/85/066/070/20*	85	66	70	20	750
NYCPR/85/075/078/17*	85	75	78	17	800
NYCPR/85/078/082/25	85	78	82	25	850
NYCPR/85/085/089/20	85	85	89	20	900
NYCPR/85/090/094/20	85	90	94	20	950
NYCPR/85/095/099/20	85	95	99	20	1.000
NYCPR/85/100/100/17	85	100	100	17	1.100
NYCPR/85/100/102/17*	85	100	102	17	1.100
NYCPR/85/100/104/20	85	100	104	20	1.100
NYCPR/85/104/110/20	85	104	110	20	1.100
NYCPR/85/110/114/25	85	110	114	25	1.200
NYCPR/85/120/124/20	85	120	124	20	1.300
NYCPR/85/120/124/25	85	120	124	25	1.300

* with labyrinth sealing

25.4 mm = 1 inch 1 kg = 2.2 lbs

NYLACRON™ pallet rollers with ball bearing

Roller body made of high-quality thermoplastic polyamide with ball bearings.

NYLACRON™ CONVEYOR ROLLERS

EURO (MM) DIMENSIONS



SERIES NYCCR

Item #	Diameter (mm)	Wheel Width (mm)	Hub Length (mm)	Bolt Hole (mm)	Load Capacity (kg)
NYCCR/030/011/5/8	30	11	7	8	60
NYCCR/040/014,5/5/10	40	14,5	8	10	100
NYCCR//040/016/5/15*	40	16	9	15	120
NYCCR/040/018,5/5/10	40	18,5	8	10	140
NYCCR/042/014,5/5/10	42	14,5	8	10	110
NYCCR/042/014,5/5/12	42	14,5	10	12	110
NYCCR/044/016/5/12	44	16	8	12	130
NYCCR//050/012/5/8*	50	12	7	8	110
NYCCR/050/015/5/10	50	15	9	10	140
NYCCR/050/015/5/12	50	15	8	12	140
NYCCR/050/020/5/12*	50	20	10	12	190
NYCCR/050/018/5/12*	50	18	10	12	170
NYCCR//054/022/5/12	54	22	10	12	230
NYCCR/055/025/5/15 B**	55	25	9	15	270
NYCCR/060/030/5/15 GF30	60	30	13	15	350
NYCCR/062/020/5/12	62	20	19	12	240
NYCCR/065/018,5/5/10	65	18,5	9	10	230
NYCCR/065/018,5/5/12	65	18,5	10	12	230
NYCCR//070/035/5/20 B**	70	35	41	20	490
NYCCR/080/020/5/12	80	20	10	12	310
NYCCR//080/020/5/15	80	20	10	15	310
NYCCR/080/020/5/17	80	20	12	17	310
NYCCR//080/025/5/25	80	25	12	25	400

25.4 mm = 1 inch 1 kg = 2.2 lbs

GF30 = reinforced-fiberglass

NYLACRON™ conveyor rollers with ball bearings

Roller body made of high-quality thermoplastic polyamide molded around the ball bearing (1/5).

Same as above, but roller body with wider tread.

Item #	Diameter (mm)	Wheel Width (mm)	Hub Length (mm)	Bolt Hole (mm)	Load Capacity (kg)
NYCCR/030/011/5/8	30	11	7	8	60
NYCCR/040/014,5/5/10	40	14,5	8	10	100
NYCCR/040/016/5/15*	40	16	9	15	120
NYCCR/040/018,5/5/10	40	18,5	8	10	140
NYCCR/042/014,5/5/10	42	14,5	8	10	110

25.4 mm = 1 inch 1 kg = 2.2 lbs

*black **with crowned tread



URETHANE CONVEYOR ROLLERS

EURO (MM) DIMENSIONS



SERIES UCR

Item #	Diameter (mm)	Wheel Width (mm)	Hub Length (mm)	Bolt Hole (mm)	Load Capacity (kg)
UCR/030/011/5/8	30	11	7	8	30
UCR/040/014,5/5/10*	40	14,5	8	10	50
UCR/040/016/5/15**	40	16	8	15	55
UCR/040/020/5/10	40	20	9	10	70
UCR/042/014,5/5/10	42	14,5	8	10	55
UCR/042/014,5/5/12	42	14,5	10	12	55
UCR/050/015/5/10	50	15	9	10	70
UCR/050/015/5/12	50	15	8	12	70
UCR/050/018/5/17	50	18	11	17	80
UCR/050/025/5/12*	50	25	10	12	100
UCR/055/025/5/15	55	25	9	15	110
UCR/060/018/5/12	60	18	10	12	90
UCR/060/020/5/17	60	20	12	17	95
UCR/062/020/5/17	62	20	14	17	110
UCR/065/018,5/5/12	65	18,5	10	12	100
UCR/070/025/5/20*	70	25	14	20	150
UCR/080/020/5/12	80	20	10	12	140
UCR/080/020/5/15	80	20	11	15	140
UCR/080/020/5/17	80	20	12	17	140
UCR/080/020/5/20	80	20	14	20	140
UCR/080/025/5/25	80	25	12	25	170

25.4 mm = 1 inch 1 kg = 2.2 lbs

URETHANE conveyor rollers with ball bearings

Roller body made of high-quality thermoplastic polyurethane (96° Shore A) molded around the ball bearing (/5).

Same as above, but roller body with wider tread.

Item #	Diameter (mm)	Wheel Width (mm)	Hub Length (mm)	Bolt Hole (mm)	Load Capacity (kg)
UCRWT/038/028/5/12	38	28	10	12	80
UCRWT/038/038/5/12	38	38	10	12	110
UCRWT/042/028/5/10	42	28	8	10	90
UCRWT/042/028/5/12	42	28	8	12	90
UCRWT/042/038/5/12	42	38	10	12	130

25.4 mm = 1 inch 1 kg = 2.2 lbs

*brown **black



URETHANE WHEELS

EURO (MM) DIMENSIONS



SERIES URN
W/PLAIN BORE

SERIES URN 5R
W/PRECISION BALL BEARINGS

URETHANE wheels rim with a tread made of high-quality thermoplastic polyurethane (96° Shore A), with ball bearings (/5) or stainless roller bearings (/5R).

Item #	Diameter (mm)	Wheel Width (mm)	Hub Length (mm)	Fixing Length (mm)	Hub Diameter (mm)	Bearing ID (mm)	Load Capacity (kg)
URN/080/035/5/08	80	35	35	41	-	08	150
URN/080/035/5/12	80	35	35	31	-	12	150
URN/100/040/5/10	100	40	45	51	45	10	200
URN/100/040/5/15	100	40	45	41	45	15	200
URN/125/045/5/12	125	45	45	51	45	12	250
URN/125/045/5/15	125	45	45	41	45	15	250
URN/150/045/5/12	150	45	45	51	65	12	380
URN/150/045/5/20	150	45	45	41	65	20	380
URN/160/050/5/12	160	50	55	61	65	12	430
URN/160/050/5/20	160	50	55	51	65	20	430
URN/200/050/5/12	200	50	55	61	60	12	500
URN/200/050/5/20	200	50	55	51	60	20	500
URN/080/035/5R/12	80	35	35	31	41	12	150
URN/100/040/5R/15	100	40	45	41	45	15	160
URN/125/045/5R/15	125	45	45	41	45	15	200
URN/150/045/5R/20	150	45	45	41	65	20	380
URN/160/050/5R/20	160	50	55	51	65	20	430
URN/200/050/5R/20	200	50	55	51	60	20	500

25.4 mm = 1 inch 1 kg = 2.2 lbs

All wheels can fit in US caster rigs.

URETHANE WHEELS

EURO (MM) DIMENSIONS



SERIES URNHD
W/PLAIN BORE

SERIES URNHD/5
W/PRECISION BALL BEARINGS

Heavy-duty URETHANE wheels rim with a tread made of high-quality thermoplastic polyurethane (95° Shore A), with ball bearings (/5).

Item #	Diameter (mm)	Wheel Width (mm)	Hub Length (mm)	Fixing Length (mm)	Hub Diameter (mm)	Bearing ID (mm)	Load Capacity (kg)
URN/100/038/5/15	100	38	40	38	45	15	150
URN/125/040/5/15	125	40	50	48	45	15	225
URN/160/042/5/15	160	42	50	48	45	15	400
URN/200/050/5/20	200	50	52	57	68	20	800
URN/250/055/5/20	250	55	60	64	70	20	1.000
URN/250/055/5/25	250	55	60	64	70	25	1.000
URN/300/060/5/20	300	60	65	69	70	20	1.100
URN/300/060/5/25	300	60	65	69	70	25	1.100

25.4 mm = 1 inch 1 kg = 2.2 lbs

All wheels can fit in US caster rigs.

MAXROK™ V-GROOVE - MV

Capacity Up to 800 lbs.



Features

- Injection molded ultra-strong, glass filled nylon wheel has the same weight capacity of steel, yet incredibly light-weight.
- Rust free material makes this the perfect wheel for outdoor applications.
- 100% washable & steam cleanable; not effected by grease, oils, most chemicals & cleaning solutions, salt, brine & blood.
- Extreme impact strength and abrasion and compression resistance.
- Durometer: 85 Shore D +/-5.
- Temperature range: -45°F to +250°F.

Diameter (inch)	Width (inch)	Hub Length	Capacity (lbs)	Precision Ball Bearings*	Part Number
4	2	2-3/16	800	60, 6S	MV40JT*

Replace* with desired bearing code.

60 Sealed precision ball bearing (flanged) ID 1/2"

6S SS Sealed precision ball bearing (flanged) ID 1/2"

NYLON - NY

Capacity Up to 1100 lbs.



Features

- Solid wheel molded from Nylon 6.
- 100% washable & steam cleanable; impervious to water, highly resistant to organic solvents, most chemicals & cleaning solutions; ideal for use in food processing and packaging plants.
- Offers high impact strength and exceptional abrasion resistance.
- Hard tread has slight crown and rolls very easily.
- Non-marking.
- Durometer: 75 Shore A +/-5.
- Temperature range: -40°F to +210°F.

Diameter (inch)	Width (inch)	Hub Length	Capacity (lbs)	Ball Bearings*	Part Number
4	2	2-3/16	800	60, 6S, 72	NY40JE*
5	2	2-3/16	900	60, 6S, 72	NY50JE*
6	2	2-3/16	1000	60, 6S, 72	NY60JE*
8	2	2-3/16	1100	60, 6S, 72	NY80JE*

Replace* with desired bearing code.

60 Sealed precision ball bearing (flanged) ID 1/2"

6S SS Sealed precision ball bearing (flanged) ID 1/2"

72 SS Sealed precision ball bearing (w/top hats) ID 1/2"

NYLON/GLASS-FILLED NG

Capacity Up to 1400 lbs.



Features

- **Wheel face:** Slight crown.
- **Finish:** Black.
- **Temperature Range:** -40° to +250°F.
- **Hardness:** 85 Shore D ±5.
- **Won't absorb moisture!**

Dia. (inch)	Width (in)	Capacity (lbs)	Hub Length (inch)	Bore (inch)	Bearing (inch)	Wt. (lbs)	Part Number*
4	2	800	2-3/16	1-3/16	1/2	1	NG0422908
5	2	1000	2-3/16	1-3/16	1/2	1	NG0522908
6	2	1200	2-3/16	1-3/16	1/2	1-1/8	NG0622908
8	2	1400	2-3/16	1-3/16	1/2	1-3/8	NG0822908

*Available with Stainless Steel Bearings (29SS)

*Roller bearing (01), Precision Ball Bearing (29), Ball Bearing (31)

Wheel Options

- **Note:** Select bearings featured are recommended for standard applications. For special applications or alternate bearings consult Acorn™.

NYLON/GLASS-FILLED/ NOISE REDUCTION - NR

Capacity Up to 1500 lbs.



Similar to NG wheels, but with the added benefit of two rubber treads on the wheel edges to reduce noise and improve traction even under heavy loads. Not recommended for towing applications above 3mph. Temperature range is -40° F to +180° F.

Dia. (inch)	Width (inch)	Capacity (lbs)	Hub Length (inch)	Bore (inch)	Bearing (inch)	Wt. (lbs)	Part Number*
4	2	800	2-3/16	1-3/16	1/2	1	NR0422908
5	2	1000	2-3/16	1-3/16	1/2	1	NR0522908
6	2	1200	2-3/16	1-3/16	1/2	1-1/8	NR0622908
8	2	1400	2-3/16	1-3/16	1/2	1-3/8	NR0822908

*Available with Stainless Steel Bearings (29SS).

*Roller bearing (01), Precision Ball Bearing (29), Ball Bearing (31)

HI-TEMP/NYLON WHEELS HEATEATER - HE

Capacity Up to 1400 lbs.



Features

- **Wheel face:** Moderate crown.
- **Finish:** Black.
- **Temperature Range:** Up to 550°F, 475°F. intermittent consult Acorn™.
- **Hardness:** 85 Shore D ±5.
- For stainless steel roller bearing specify **ZB03**.

Dia. (inch)	Width (inch)	Capacity (lbs)	Hub Length (inch)	Bore (inch)	Bearing (inch)	Wt. (lbs)	Part Number P = Prec. Brg
4	2	800	2-3/16	1-3/16	3/4	1	HE0420112
5	2	1000	2-3/16	1-3/16	3/4	1-1/2	HE0520112
6	2	1200	2-3/16	1-3/16	3/4	1-1/2	HE0620112
8	2	1400	2-3/16	1-3/16	3/4	1-1/2	HE0820112

*Available with Stainless Steel Bearings (29SS).

Wheel Options

Note:

Select bearings featured are recommended for standard applications.

For special applications or alternate bearings, please consult Acorn™.

For customization & special application options, please consult Acorn™.

Ideal for speciality applications, these wheels can withstand intermittent temperatures up to 550° F. Nylon Glass-filled wheels won't chip, absorb water or breakdown in caustic environments.

NYLON WHITE WHEELS NW

Capacity Up to 1100 lbs.



Features

- **Wheel face:** Moderate crown.
- Composed of injection molded white nylon
- Maximum performance, economical solution for your most demanding caster applications.
- Excellent ergonomics. Wheel starts rolling, keeps rolling and swivels with ease!
- **Temperature Range:** -20°F to 250°F .
- **Hardness:** 85 Shore D ±5.

Dia. (inch)	Width (inch)	Capacity (lbs)	Hub Length (inch)	Bore (inch)	Bearing (inch)	Wt. (lbs)	Bearing	Part Number
5	2	600	2-3/16	1-3/16	1/2	1	Ped. Prec. Ball	NW0522908
6	2	900	2-3/16	1-3/16	1/2	1-1/4	Ped. Prec. Ball	NW0622908
8	2	1100	2-3/16	1-3/16	1/2	2	Ped. Prec. Ball	NW0822908

*Available with Stainless Steel Bearings (29SS).

Wheel Options

Note:

Select bearings featured are recommended for standard applications.

For special applications or alternate bearings please consult Acorn™.

For customization & special application options, please consult Acorn™.

HI-TEMP LAVA™ WHEELS

HI-TEMP LAVA™ - LV

Capacity Up to 3500 lbs.

Features

Bearings: Plain, ball, roller bearing & caged roller bearing
Temperature: -45°F to 475°F continuously, 525°F intermittently
Colors: Black
Durometer: 85 (+/-5) scale

Excellent for:

- Floor protection
- Factory use
- Waste bins
- Platform and stock trucks
- High temperature applications
- Heavy material handling
- Easy rolling
- Heavy loads
- Bakery applications

Options:

BB Ball Bearing
 BR Bronze Bushing
 RB Roller Bearing
 RBC Caged Roller Bearing
 RBSS Stainless Steel Roller
 SWH Heat-treated Side Washer
 T Through Bore (2" wheel tread)

Special:

- Resistant to most chemicals
- Non-marking
- Moisture friendly
- Maintenance free
- One piece solid Lava™
- Same capacity as steel wheels



This non-marking wheel features an exclusively developed proprietary nylon material which is excellent for high load capacities. The Lava™ wheel is extremely ergonomically efficient, as it requires minimum effort to roll and swivel with

heavy loads. Lava™ wheel resists hard impacts and is resistant to most chemicals, solvents, gases, acids, steam cleaning and does not absorb water! This wheel is ideal for industrial and institutional applications.

Wheel Dia. (inch)	Tread Width (inch)	Load Capacity (lbs.)	Hub Length (inch)	Standard Bore (inch)	Alternative Bore (inch)	Bearing Type	Part Number	Wheel Weight (lbs.)
3	1-1/2	600	1-5/8	3/8	5/16	Steel	W-6203-LV	0.50
3	1-1/2	600	1-5/8	1-13/16	1/2 • 5/8	Plain	W-6203-LV	0.42
3	1-1/2	600	1-13/16	1/2	3/8 • 5/8 • 3/4	Roller	W-6203-LV-RB	0.82
4	1-1/2	700	1-5/8	3/8	5/16	Steel	W-6204-LV	0.73
4	1-1/2	700	1-5/8	1-13/16	1/2 • 5/8	Plain	W-6204-LV	0.71
4	1-1/2	700	1-13/16	1/2	3/8 • 5/8 • 3/4	Roller	W-6204-LV-RB	1.11
4	2	800	2-3/16	1-13/16	-	Plain	W-7204-LV*	0.63
4	2	800	2-3/8	1/2	5/8 • 3/4	Roller	W-7204-LV-RB	1.12
5	1-1/2	800	1-5/8	3/8	5/16	Steel	W-6205-LV	1.05
5	1-1/2	800	1-5/8	1-13/16	1/2 • 5/8	Plain	W-6205-LV	0.97
5	1-1/2	800	1-13/16	1/2	3/8 • 5/8 • 3/4	Roller	W-6205-LV-RB	1.37
5	2	800	2-3/16	1-13/16	-	Plain	W-7005-LV*	0.84
5	2	800	2-3/8	1/2	5/8 • 3/4	Roller	W-7005-LV-RB	1.33
5	2	1100	2-3/16	1-13/16	-	Plain	W-7005-LVHD*	1.16
5	2	1100	2-3/8	1/2	5/8 • 3/4	Roller	W-7005-LVHD-RB	1.65
6	2	1100	2-3/16	1-13/16	-	Plain	W-7006-LV*	1.06
6	2	1100	2-3/8	1/2	5/8 • 3/4	Roller	W-7006-LV-RB	1.55
6	2	1200	2-3/16	1-13/16	-	Plain	W-7006-LVW*	1.64
6	2	1200	2-3/8	1/2	5/8 • 3/4	Roller	W-7006-LVHD-RB	2.13
6	2	1300	2-3/16	1-13/16	-	Plain	W-7006-LVHD*	1.57
6	2	1300	2-3/8	1/2	5/8 • 3/4	Roller	W-7006-LVHD-RB	2.06
8	2	1200	2-3/16	1-13/16	-	Plain	W-7008-LV*	1.84
8	2	1200	2-3/8	1/2	5/8 • 3/4	Roller	W-7008-LV-RB	2.33
8	2	1300	2-3/16	1-13/16	-	Plain	W-7008-LVW*	2.25
8	2	1300	2-3/8	1/2	5/8 • 3/4	Roller	W-7008-LVW-RB	2.69
8	3	2100	3-1/4	1-15/16	-	Plain	W-7508-LVW	4.25
8	3	2100	3-7/16	3/4	1 • 1-1/4	Roller	W-7508-LVW-RB	6.14
8	3	2100	3-1/4	3/4	1 • 1-1/4	Tapered	W-7508-LVW-TB	4.81
10	2-1/2	2100	2-3/4	1-15/16	-	Plain	W-7110-LVW	4.58
10	2-1/2	2100	2-27/32	3/4	1 • 1-1/4	Roller	W-7110-LVW-RB	6.23
10	3	2800	3-1/4	1-15/16	-	Plain	W-7510-LVW	6.45
10	3	2800	3-7/16	3/4	1 • 1-1/4	Roller	W-7510-LVW-RB	8.34
10	3	2800	3-1/4	3/4	1 • 1-1/4	Tapered	W-7510-LVW-TB	7.01
12	3	3500	3-1/4	1-15/16	-	Plain	W-7512-LVW	9.87
12	3	3500	3-7/16	3/4	1 • 1-1/4	Roller	W-7512-LVW-RB	11.76
12	3	3500	3-1/4	3/4	1 • 1-1/4	Tapered	W-7512-LVW-TB	10.43

*wheel has one closed side to eliminate washer and for easier assembly

POLYPROPYLENE BLACK - PB

Capacity Up to 1000 lbs.



Injection molded blend of thermoplastic polymers which resist absorption and are resistant to most chemicals and solvents. Capacity ratings are comparable to hard rubber wheels with the added advantage of being lighter in weight and having greater impact resistance.

Features

- **Wheel face:** Moderate crown.
- **Finish:** Black.
- **Temperature Range:** -20°F to +180°F.
- **Hardness:** 65 Shore D.

Dia. (inch)	Width (inch)	Capacity (lbs)	Hub Length (inch)	Bore (inch)	Bearing (inch)	Wt. (lbs)	Part Number
4	2	450	2-3/16	1-3/16	3/4	1	PB0420112
5	2	650	2-3/16	1-3/16	3/4	1-1/4	PB0520112
6	2	750	2-3/16	1-3/16	3/4	1-1/2	PB0624112
8	2	1000	2-3/16	1-3/16	3/4	1-3/4	PB0820112

Delrin Bearing add 51 to the suffix

Available with Standard Ball Bearing & Stainless Steel Ball Bearing

^ = Wheels are complete with spanner bushing & nylon retaining thrust washers
< = 2-7/16" Spanner and Spacers included

POLYPROPYLENE WHITE - PW

Capacity Up to 750 lbs.



Dia. (inch)	Width (inch)	Capacity (lbs)	Hub Length (inch)	Bore (inch)	Bearing (inch)	Wt. (lbs)	Part Number
4	2	450	2-3/16	3/4	3/4	3/4	PW0424112
4	2	450	2-3/16	1/2	1/2	3/4	PW0424108
5	2	550	2-3/16	3/4	3/4	3/4	PW0524112
5	2	650	2-3/16	1/2	1/2	3/4	PW0524108
5	2	650	2-3/8	1/2	3/4	3/4	PW0525112
6	2	650	2-3/16	3/4	3/4	3/4	PW0624112
6	2	750	2-3/16	1/2	1/2	3/4	PW0624108
6	2	750	2-3/8	1/2	3/4	3/4	PW0625111

Delrin Bearing add 51 to the suffix

Available with Standard Ball Bearing & Stainless Steel Ball Bearing

^ = Wheels are complete with spanner bushing & nylon retaining thrust washers
< = 2-7/16" Spanner and Spacers included

RETORT & FIBERGLASS FILLED POLYPROPYLENE

RETORT POLYPROPYLENE CALCIUM CARBONATE FILLED - RT

Capacity Up to 900 lbs.



Designed to withstand the rigors of high temperature, these wheels are perfect for cooker racks and retort carts, clean rooms, bakeries and wet environments.

Dia. (inch)	Width (inch)	Capacity (lbs)	Hub Length (inch)	Bore (inch)	Bearing (inch)	Wt (lbs)	Part Number
4	2	500	2-3/16	1-3/16	3/4	1	RT0420112
5	2	650	2-3/16	1-3/16	3/4	1/2	RT0520112
6	2	700	2-3/16	1-3/16	3/4	2	RT0620112
8	2	900	2-3/16	1-3/16	3/4	2-1/2	RT0820112

Delrin Bearing add 51 to the suffix

Roller Bearing & Roller Bearing stainless steel

*Available with dual Precision Ball Bearings & Stainless Steel Precision Ball Bearings

Features

- **Wheel face:** Moderate crown.
- **Finish:** White.
- **Temperature Range:** -20°F up to +290°F.
- **Hardness:** 75 Shore D
- Floor protective.
- Non-marking, non-chipping & non-absorbing.

Same options as PB.

FIBERGLASS FILLED POLYPROPYLENE - GP

Capacity Up to 1400 lbs.



A new, innovative wheel featuring heavy-duty, reinforced fiberglass filled polypropylene. Our test data shows that it lasts three times longer than the competition. Wheel has excellent mobility under heavy load and excellent chemical resistance.

Dia. (inch)	Width (inch)	Capacity (lbs)	Hub Length (inch)	Bore (inch)	Bearing (inch)	Wt (lbs)	Part Number
4	2	800	2-3/16	1-3/16	3/4	1	GP0420112
4	2	800	2-3/16	1-3/16	1/2	1	GP0422908
4	2	800	2-3/16	1-3/16	1/2	1	GP0425108
5	2	1000	2-3/16	1-3/16	3/4	1	GP0520112
5	2	1000	2-3/16	1-3/16	1/2	1	GP0522908
5	2	1000	2-3/16	1-3/16	1/2	1	GP0525108
6	2	1200	2-3/16	1-3/16	3/4	1-1/8	GP0620112
6	2	1200	2-3/16	1-3/16	1/2	1-1/8	GP0622908
6	2	1200	2-3/16	1-3/16	1/2	1-1/8	GP0625108
8	2	1400	2-3/16	1-3/16	3/4	1-3/8	GP0820112
8	2	1400	2-3/16	1-3/16	1/2	1-3/8	GP0822908
8	2	1400	2-3/16	1-3/16	1/2	1-3/8	GP0825108

Features

- **Wheel face:** Moderate crown.
- **Finish:** Black.
- **Temperature Range:** -20°F up to +250°F.
- **Hardness:** 65 Shore D.

POLYOLEFIN - PO

Capacity Up to 900 lbs.



Features

- Solid injection molded polyolefin wheel construction.
- High shock load, impact & abrasion resistant.
- Economical & lightweight, yet offer high weight capacities.
- 100% washable; impervious to water, highly resistant to organic solvents, oil, grease, most chemicals, acids & cleaning solutions.
- Both white & black materials are non-marking.
- Several designs.
- Durometer: 70 Shore D +/-5.
- Temperature range: -40°F to +180°F.

Diameter (inch)	Width (inch)	Hub Length	Capacity (lbs)	Precision Ball Bearings*	Part Number
4	2	2-3/16	500	60, 6S	PO40JP*
5	2	2-3/16	650	60, 6S	PO50JP*
6	2	2-3/16	700	60, 6S	PO60JP*
8	2	2-3/16	900	60, 6S	PO80JP*

Replace* with desired bearing code.

60 Sealed precision ball bearing (flanged) ID 1/2"

6S SS Sealed precision ball bearing (flanged) ID 1/2"

BRIMSTONE® - GN

Capacity Up to 1200 lbs.



Features

- Brimstone® wheels are made out of an exclusively engineered thermo compound made for high temperature, autoclave and steam cleaning wash down applications.
- Offers superior abrasion and impact resistance, high weight capacity and long service life.
- Excellent resistance to oil, grease, salt and most acids, chemicals and cleaning solutions.
- Hard tread rolls exceptionally easy.
- Durometer: 85 Shore D +/-5.
- Temperature range: -45°F to +425°F.

Diameter (inch)	Width (inch)	Hub Length	Capacity (lbs)	Sealed Prec. Ball Bearings*	Part Number
4	2	2-3/16	800	60, 6S	GN40JQ*
5	2	2-3/16	1000	60, 6S	GN50JQ*
6	2	2-3/16	1100	60, 6S	GN60JQ*
8	2	2-3/16	1200	60, 6S	GN80JQ*

Replace* with desired bearing code.

60 Sealed precision ball bearing (flanged) ID 1/2"

6S SS Sealed precision ball bearing (flanged) ID 1/2"

RUBBER WHEELS



ELASTIC RUBBER ALUMINUM



MOLDON RUBBER/ALUMINUM CORE



SOFT RUBBER/POLYPROPYLENE CORE

	<u>PAGE</u>
Elastic Rubber/Aluminum	80-81
Moldon Rubber/Cast Iron	82-83
Moldon Rubber/Aluminum	84-85
X-tra Soft Rubber	86-88
Rubber/Polypropylene Core	89-90
Rubber Wheels	91-94

ELASTIC RUBBER/ ALUMINUM - ERB

Capacity Up to 880 lbs.



Super elastic rubber tread wheels with precision ball bearings are rapidly replacing moldon rubber tread wheels. Vulcanized, for non-detachable bond, higher loading, smoother riding, low rolling resistance and are non-marking.

Features

- **Wheel face:** Moderate crown.
- **Finish:** Blue tread on aluminum core.
- **Temperature Range:** -40°F up to +180°F.
- **Hardness:** 65 Shore A.

Dia. (inch)	Width (inch)	Capacity (lbs)	Hub Length (inch)	Bore (inch)	Bearing (inch)	Wt. (lbs)	Part Number*
6	2	660	2-7/16	1-3/16	1/2	3	ERB08229-06
8	2	880	2-7/16	1-3/16	1/2	4	ERB08229-08

Complete with Top Hat Bushings and Centerpiece

ELASTIC RUBBER SOLID/ALUMINUM



SERIES ERS

SERIES ERN

ELASTIC solid rubber wheels

Aluminum rim with securely vulcanized ELASTIC solid rubber tire with ball bearings (/5).

Item #	Diameter (mm)	Wheel Width (mm)	Hub Length (mm)	Hub Diameter (mm)	Bearing ID (mm)	Load Capacity (kg)
ERN/100/040/5/15	100	40	45	45	15	160
ERN/125/040/5/15	125	40	45	45	15	180
ERN/125/050/5/20	125	50	54	60	20	225
ERN/125/050/5/25	125	50	54	60	25	225
ERN/160/050/5/20	160	50	54	60	20	300
ERN/160/050/5/25	160	50	54	60	25	300
ERN/180/050/5/20	180	50	54	60	20	350
ERN/180/050/5/25	180	50	54	60	25	350
ERN/200/050/5/20-1	200	50	54	54	20	400
ERN/200/050/5/20-2	200	50	54	60	20	400
ERN/200/050/5/25	200	50	54	60	25	400
ERN/250/050/5/20	250	50	54	60	20	500
ERN/250/050/5/25	250	50	54	60	25	500
ERN/300/060/5/30-1	300	60	54	60	30	650
ERN/300/060/5/30-2	300	60	75	74	30	650

25.4 mm = 1 inch 1 kg = 2.2 lbs

All wheels can fit in U.S. caster rigs.

ELASTIC solid rubber wheels

Highly stable pressed steel rim with securely vulcanized ELASTIC solid rubber tire with ball bearings (/5).

Item #	Diameter (mm)	Wheel Width (mm)	Hub Length (mm)	Hub Diameter (mm)	Bearing ID (mm)	Load Capacity (kg)
ERS/160/050/5/25	160	50	50	50	25	350
ERS/200/050/5/25	200	50	50	50	25	400
ERS/200/080/5/30	200	80	80	80	30	600
ERS/250/050/5/25	250	50	50	50	25	400
ERS/250/060/5/30	250	60	60	60	30	500
ERS/250/080/5/30	250	80	80	80	30	700
ERS/300/075/5/30	300	75	75	75	30	800

25.4 mm = 1 inch 1 kg = 2.2 lbs

All wheels can fit in U.S. caster rigs.

MOLDON RUBBER/CAST IRON CORE

MOLDON RUBBER/ CAST IRON - MR

Capacity Up to 3020 lbs.



Cushion rubber treads are vulcanized to cast iron cores. The soft rubber tread affords a cushion effect to the load and excellent floor protection. These wheels are highly shock absorbing and provide quiet operation, while dampening vibration.

Features

- **Wheel face:** Moderate crown.
- **Finish:** Black tread on black enamel core.
- **Temperature Range:** -40°F up to +180°F.
- **Hardness:** 70-85 Shore A.

Wheel Options

- Neoprene on iron core, consult Acorn™.
- **Note:** Select bearings featured are recommended for standard applications.
- For customization & special application options, please consult Acorn™.

Dia. (inch)	Width (inch)	Capacity (lbs)	Hub Length (inch)	Bore (inch)	Bearing (inch)	Wt. (lbs)	Part Number*
4	2	300	2-3/16	1-3/16	1/2	1-1/2	MR0420108
4	2	300	2-3/16	1-3/16	5/8	1-1/2	MR0420110
4	2	300	2-3/16	1-3/16	3/4	1-1/2	MR0420112
5	2	450	2-3/16	1-3/16	1/2	2	MR0520108
5	2	450	2-3/16	1-3/16	5/8	2	MR0520110
5	2	450	2-3/16	1-3/16	3/4	2	MR0520112
6	2	500	2-3/16	1-3/16	1/2	2-1/4	MR0620108
6	2	500	2-3/16	1-3/16	5/8	2-1/4	MR0620110
6	2	500	2-3/16	1-3/16	3/4	2-1/4	MR0620112
6	3	750	3-1/4	1-15/16	1	9-1/2	MR0650116
6	3	750	3-1/4	1-15/16	1-1/4	9-1/2	MR0650120
6	3	750	3-1/2	1-15/16	3/4	9-1/4	MR0650912
8	2	600	2-3/16	1-3/16	1/2	3-1/2	MR0820108
8	2	600	2-3/16	1-3/16	3/4	6-1/3	MR0820112
8	2	600	2-3/16	1-3/16	5/8	3-1/2	MR0820110
8	2	600	2-3/16	1-3/16	7/8	3-1/2	MR0820114
8	2	600	2-3/16	1-15/16	1	4	MR0820116
8	3	900	3-1/2	1-15/16	3/4	11-1/4	MR0850912
8	3	900	3-1/2	1.98	1	11-1/4	MR0850916
8	3	900	3-1/4	1-15/16	1	11-1/4	MR0850120

Continued on Next Page

MOLDON RUBBER/CAST IRON CORE

MOLDON RUBBER/ CAST IRON CORE - MR

Continued

Dia. (inch)	Width (inch)	Capacity (lbs)	Hub Length (inch)	Bore (inch)	Bearing (inch)	Wt. (lbs)	Part Number
10	3	1000	3-1/2	1-15/16	3/4	14	MR1050912
10	3	1000	3-1/4	1-15/16	1	14-1/4	MR1050116
10	3	1000	3-1/2	1.98	1	14	MR1050916
10	3	1000	3-1/4	1-15/16	1-1/4	14-1/4	MR1050120
10	3	1000	3-1/2	2.33	1-1/4	14	MR1050920
10	4	1400	4-1/4	2-7/16	1-1/4	25-1/2	MR1070120
10	4	1400	4-1/4	2-7/16	1-1/2	25-1/2	MR1070124
10	4	1400	4-1/2	2-7/16	1	25	MR1070916
10	4	1400	4-1/2	2-7/16	1-1/4	25	MR1070920
12	3	1200	3-1/4	1-15/16	1	19-1/4	MR1250116
12	3	1200	3-1/4	1-15/16	1-1/4	19-1/4	MR1250120
12	3	1200	3-1/2	1-15/16	3/4	19	MR1250912
12	4	1600	4-1/4	2-7/16	1-1/4	29-1/2	MR1270120
12	4	1600	4-1/4	2-7/16	1-1/2	29-1/2	MR1270124
12	4	1600	4-1/2	2-7/16	1	29	MR1270916
12	4	1600	4-1/2	2-7/16	1-1/4	29	MR1270920
14	3	1800	3-1/4	1-15/16	1	23-1/2	MR1450116
14	3	1800	3-1/4	1-15/16	1-1/4	23-1/2	MR1450120
16	3	1500	3-1/4	1-15/16	1	40	MR1650116
16	3	1500	3-1/4	1-15/16	1-1/4	40	MR1650120
16	4	2000	4-1/4	2-7/16	1-1/4	47-3/4	MR1670120
16	4	2000	4-1/4	2-7/16	1-1/2	47-3/4	MR1670124
16	5	2570	5-1/4	2-7/16	1-1/4	60-1/4	MR1680120
16	5	2570	5-1/4	2-7/16	1-1/2	60-1/4	MR1680124
16	5	2570	5-1/4	3-1/4	2	60-1/4	MR1680132
18	3	1550	4-1/4	2-7/16	1-1/4	41-3/4	MR1850120
18	3	1550	4-1/4	2-7/16	1-1/2	41-3/4	MR1850124
18	5	2800	5-1/4	2-7/16	1-1/2	83-1/4	MR1880124
18	5	2800	5-1/4	3-1/16	1-3/4	86	MR1880128
18	5	2800	5-1/4	3-1/4	2	86	MR1880132
20	3	1680	4-1/4	2-7/16	1-1/4	64	MR2050120
20	3	1680	4-1/4	2-7/16	1-1/2	64	MR2050124
20	5	3020	5-1/4	3-1/4	2	93	MR2080132

^ = Roller bearing wheels are complete with spanner bushing & nylon retaining thrust washers
 < = 2-7/16" Spanner and Spacers included

HEAVY DUTY MOLD-ON RUBBER/CAST IRON CORE

HEAVY DUTY/MOLD-ON RUBBER ON IRON CORE WHEELS - MH

Capacity Up to 2500 lbs.



Dia. (inch)	Width (inch)	Capacity (lbs)	Hub Length (inch)	Bore (inch)	Bearing (inch)	Part Number
5	2	700	2-3/16	1-3/16	1/2	MH0520108
5	2	700	2-3/16	1-3/16	5/8	MH0520110
5	2	700	2-3/16	1-3/16	3/4	MH0520112
6	2	820	2-3/16	1-3/16	1/2	MH0620108
6	2	820	2-3/16	1-3/16	5/8	MH0620110
6	2	820	2-3/16	1-3/16	3/4	MH0620112
8	2	1000	2-3/16	1-3/16	5/8	MH0820110
8	2	1000	2-3/16	1-3/16	3/4	MH0820112
8	2	1000	2-3/16	1-3/16	7/8	MH0820114
8	2	1000	2-3/16	1-15/16	1	MH0820116
10	3	1800	3-1/4	1-15/16	1	MH1050116
16	3	2500	3	2-7/16	1-1/4	MH1650120

Roller Bearing (01)

Heavy Duty cushion rubber treads are vulcanized to cast iron cores. The soft rubber tread affords a cushion effect to the load and excellent floor protection. These wheels are highly shock absorbing and provide quiet operation, while dampening vibration.

Features

- **Wheel face:** Moderate crown.
- **Finish:** Black tread on iron core.
- **Temperature Range:** -40°F up to +180°F.
- **Hardness:** 90-95 Shore A.

Wheel Options

- **Note:** Select bearings featured are recommended for standard applications. For special applications or alternate bearings consult Acorn™.
- For customization & special application options, please consult Acorn™.

HIGH MODULUS GREY RUBBER/ ON ALUMINUM WHEELS - RM

Capacity Up to 450 lbs.



Dia. (inch)	Width (inch)	Capacity (lbs)	Hub Length (inch)	Bore (inch)	Bearing (inch)	Wt. (lbs)	Part Number*
5	2	300	2-7/16	1-3/16	1/2	2	RM0522808
6	2	350	2-7/16	1-3/16	1/2	3	RM0622808
8	2	450	2-7/16	1-3/16	1/2	4	RM0822808

Precision Ball (28)

High modulus rubber wheels roll and swivel easier than conventional rubber wheels.

Features

- **Hardness:** 65-70 Shore A.
- Wheels are complete with top hat and spacers.
- **Wheel face:** Round tread.
- **Finish:** Gray tread on aluminum core.
- **Temperature Range:** -40°F to +180°F.

HIGH MODULUS BLACK RUBBER/ ON ALUMINUM WHEELS - RL

Capacity Up to 450 lbs.

Dia. (inch)	Width (inch)	Capacity (lbs)	Hub Length (inch)	Bore (inch)	Bearing (inch)	Wt. (lbs)	Part Number*
5	2	300	2-7/16	1-3/16	1/2	2	RL0522808
6	2	350	2-7/16	1-3/16	1/2	3	RL0622808
8	2	450	2-7/16	1-3/16	1/2	4	RL0822808

Precision Ball (28)

MOLD-ON RUBBER ON DIE CAST ALUMINUM

MOLD-ON RUBBER/ ALUMINUM CORE - MD

Capacity Up to 600 lbs.



Cushion rubber treads are vulcanized to die cast aluminum core. The soft rubber tread affords a cushion effect to the load and excellent floor protection. These wheels are highly shock absorbing and provide quiet operation, while dampening vibration.

Features

- **Wheel face:** Moderate crown.
- **Finish:** Blue on natural aluminum core.
Red or Black or other treads available.
- **Temperature Range:** -40°F up to +180°F.
- **Hardness:** 80-83 Shore A.

Wheel Options

- **Note:** Select bearings featured are recommended for standard applications. For special applications or alternate bearings consult Acorn™.
- For customization & special application options, please consult Acorn™.

Dia. (inch)	Width (inch)	Capacity (lbs)	Hub Length (inch)	Bore (inch)	Bearing (inch)	Wt. (lbs)	Part Number*
4	2	400	2-3/16	1-3/16	1/2	1-1/2	MD0420108
4	2	400	2-3/16	1-3/16	5/8	1-1/2	MD0420110
4	2	400	2-3/16	1-3/16	3/4	1-1/2	MD0420112
5	2	500	2-3/16	1-3/16	1/2	2	MD0520108
5	2	500	2-3/16	1-3/16	5/8	2	MD0520110
5	2	500	2-3/16	1-3/16	3/4	2	MD0520112
6	2	550	2-3/16	1-3/16	1/2	2-1/4	MD0620108
6	2	550	2-3/16	1-3/16	5/8	2-1/4	MD0620110
6	2	550	2-3/16	1-3/16	3/4	2-1/4	MD0420112
8	2	600	2-3/16	1-3/16	1/2	3-1/2	MD0820108
8	2	600	2-3/16	1-3/16	5/8	3-1/2	MD0820110
8	2	600	2-3/16	1-3/16	3/4	3-1/2	MD0820112

Roller Bearing (01)

^ = Wheels are complete with spanner bushing & nylon retaining thrust washers

< = 2-7/16" Spanner and Spacers included

XTRA-SOFT ROUND GREY TREAD - XR

Capacity Up to 600 lbs.



Dia. (inch)	Width (inch)	Capacity (lbs)	Hub Length (inch)	Bore (inch)	Bearing (inch)	Wt. (lbs)	Part Number*
6	2	450	2-7/16	1-3/16	1/2	2-1/4	XR0622808
8	2	600	2-7/16	1-3/16	1/2	3-1/2	XR0822808

The Ultimate Xtra soft rubber wheels offer the ultimate in ergonomic ease. Whether it's durability, quiet operation, or rollability, these wheels can answer your every application need.

Wheel Options

- Prevenz™ Antimicrobial wheel available specify **PREV.**

Features

- **Wheel Face:** Round tread.
- **Finish:** Non-marking gray tread on gray core.
- **Temperature Range:** -45°F up to +180°F.
- **Hardness:** 65-75 Shore A.

Precision Ball Bearing (28)

ULTIMATE X-TRA SOFT RUBBER

XTRA SOFT RUBBER/ POLYPROPYLENE CORE/ DONUT TREAD - XS

Capacity Up to 850lbs.



The Ultimate Xtra soft rubber wheels offer the ultimate in ergonomic ease. Whether it's durability, quiet operation, or rollability, these wheels can answer our every application need.

Features

- **Wheel Face:** XS: Moderate Crown.
- **Finish:** Non-marking gray tread on gray core.
- **Wheels:** Non-marking black tread on gray core.
- **Temperature Range:** -45°F up to +180°F.
- **Hardness:** 65-75 Shore A.

Dia. (inch)	Width (inch)	Capacity (lbs)	Hub Length (inch)	Bore (inch)	Bearing (inch)	Wt. (lbs)	Wheel Bearing	Part Number
Xtra-Soft Flat Gray Tread (Medium Heavy Duty)								
4	2	350	2-3/16	1-3/16	3/4	1	Delrin	XS0425112
4	2	350	2-3/16	1-3/16	3/4	1	Roller	XS0420112
4	2	350	2-7/16	1-9/16	1/2	1	Precision Ball	XS0422808
5	2	375	2-3/16	1-3/16	3/4	1-1/8	Delrin	XS0525112
5	2	375	2-3/16	1-3/16	3/4	1-1/8	Roller	XS0520112
5	2	375	2-7/16	1-9/16	1/2	1-1/8	Precision Ball	XS0522808
6	2	600	2-3/16	1-3/16	3/4	1-3/8	Delrin	XS0625112
6	2	600	2-3/16	1-3/16	3/4	1-3/8	Roller	XS0620112
6	2	500	2-7/16	1-9/16	1/2	1-3/8	Precision Ball	XS0622808
8	2	675	2-3/16	1-3/16	3/4	2-3/8	Delrin	XS0825112
8	2	675	2-3/16	1-3/16	3/4	2-3/8	Roller	XS0820112
8	2	500	2-7/16	1-9/16	1/2	2-3/8	Precision Ball	XS0822808
Xtra-Soft (Medium Heavy Duty Conductive)								
4	2	350	2-3/16	1-3/16	3/4	1	Roller	XY0420112
4	2	350	2-7/16	1-9/16	1/2	1	Precision Ball	XY0422808
5	2	375	2-3/16	1-3/16	3/4	1-1/8	Roller	XY0520112
5	2	375	2-7/16	1-9/16	1/2	1-1/8	Precision Ball	XY0522808
6	2	600	2-3/16	1-3/16	3/4	1-3/8	Roller	XY0620112
6	2	500	2-7/16	1-9/16	1/2	1-3/8	Precision Ball	XY0622808
8	2	675	2-3/16	1-3/16	3/4	2-3/8	Roller	XY0820112
8	2	500	2-7/16	1-9/16	1/2	2-3/8	Precision Ball	XY0822808

Wheel Options: Prevenz™ Antimicrobial wheel available specify **PREV.**

ULTIMATE X-TRA SOFT RUBBER

XTRA SOFT RUBBER/ POLYPROPYLENE CORE/ DONUT TREAD - XR

Capacity Up to 850lbs.



The Ultimate Xtra soft rubber wheels offer the ultimate in ergonomic ease. Whether it's durability, quiet operation, or rollability, these wheels can answer our every application need.

Features

- **Wheel Face:** Round tread.
- **Finish:** Non-marking gray tread on gray core.
- **Wheels:** Non-marking black tread on gray core.
- **Temperature Range:** -45°F up to +180°F.
- **Hardness:** 65-75 Shore A.

Dia. (inch)	Width (inch)	Capacity (lbs)	Hub Length (inch)	Bore (inch)	Bearing (inch)	Wt. (lbs)	Wheel Bearing	Part Number
Xtra-Soft Round Gray Tread (Medium Heavy Duty)								
6	2	450	2-3/16	1-3/16	3/4	1-3/8	Delrin	XR0625112
6	2	450	2-3/16	1-3/16	3/4	1-3/8	Roller	XR0620112
6	2	450	2-7/16	1-9/16	1/2	1-3/8	Precision Ball	XR0622808
8	2	600	2-3/16	1-3/16	3/4	2-3/8	Delrin	XR0825112
8	2	600	2-3/16	1-3/16	3/4	2-3/8	Roller	XR0820112
8	2	500	2-7/16	1-9/16	1/2	2-3/8	Precision Ball	XR0822808
Xtra-Soft Round Black Tread (Hand Truck Offset Hub)								
8	2	250	2-1/4	1-3/8	1/2	2	Industrial Ball	XR0822708H
8	2	250	2-1/4	1-3/8	5/8	2	Industrial Ball	XR0822710H
8	2	250	2-1/4	1-3/8	1/2	2	Precision Ball	XR0822808H
8	2	250	2-1/4	1-3/8	5/8	2	Precision Ball	XR0822810H
10	2	250	2-1/4	1-3/8	1/2	2	Industrial Ball	XR1022708H
10	2	250	2-1/4	1-3/8	5/8	2	Industrial Ball	XR1022710H
10	2	250	2-1/4	1-3/8	1/2	2	Precision Ball	XR1022808H
10	2	250	2-1/4	1-3/8	5/8	2	Precision Ball	XR1022810H
Xtra-Soft Round Conductive								
6	2	450	2-3/16	1-3/16	3/8	1-3/8	Annular Ball	XZ0623106
6	2	450	2-3/16	1-3/16	3/4	1-3/8	Roller	XZ0620112
6	2	450	2-7/16	1-9/16	1/2	1-3/8	Precision	XZ0622808
8	2	600	2-3/16	1-3/16	3/8	2-3/8	Annular Ball	XZ0823106
8	2	600	2-3/16	1-3/16	3/4	2-3/8	Roller	XZ0820112
8	2	600	2-7/16	1-9/16	1/2	2-3/8	Precision	XZ0822808

Wheel Options: Prevenz™ Antimicrobial wheel available specify **PREV.**

ADVANTAGE™ TPR ROUND TREAD - GD

Capacity	Up to 300 lbs.
----------	----------------



Features

- **Standard Color/Finish:** Dark gray tread on light gray wheel core.
- **Temperature Range:** -40°F up to +180°F.
- **Tread Hardness:** 65±5 Shore A Scale.

Dia. (inch)	Width (inch)	Capacity (lbs)	Hub Length (inch)	Bore (inch)	Wheel Bearing	Wt. (lbs)	Part Number*
3-1/2	1-1/4	225	1-5/8	3/8	Ball	1/2	3-1/2-213TPRGD
3-1/2	1-1/4	225	1-1/2	1/2	Delrin	1/2	3-1/2-314TPRGD
4	1-1/4	250	1-5/8	3/8	Ball	5/8	4-213TPRGD
4	1-1/4	250	1-1/2	1/2	Delrin	5/8	4-314TPRGD
5	1-1/4	250	1-5/8	3/8	Ball	3/4	5-213TPRGD
5	1-1/4	250	1-1/2	1/2	Delrin	3/4	5-314TPRGD
6	1-1/4	300	1-5/8	3/8	Ball	1	6-213TPRGD
6	1-1/4	300	1-1/2	1/2	Delrin	1	6-314TPRGD

Advantage wheels feature a gray, special modulus TPR (Thermoplastic Rubber) round tread permanently bonded to a rugged polyolefin wheel core. These attractive crowned tread wheels offer superior rolling and maneuvering ease with high performance levels that exceed other tread materials. Thanks to their

cushion ride, they are ideally suited for a wide variety of foodservice, healthcare and institutional applications. All Advantage wheels are non-marking which reduces unsightly marking and scuffing of floors. They are a good choice for use in wet or damp environment.

ADVANTAGE™ TPR FLAT TREAD - GF

Capacity	Up to 325 lbs.
----------	----------------



Features

- **Standard Color/Finish:** Dark gray tread on light gray wheel core.
- **Temperature Range:** -40°F up to +180°F.
- **Tread Hardness:** 65±5 Shore A Scale.

Dia. (inch)	Width (inch)	Capacity (lbs)	Hub Length (inch)	Bore (inch)	Wheel Bearing	Wt. (lbs)	Part Number*
3-1/2	1-1/4	225	1-5/8	3/8	Ball	1/2	3-1/2-213TPRGF
3-1/2	1-1/4	225	1-1/2	1/2	Delrin	1/2	3-1/2-314TPRGF
4	1-1/4	300	1-5/8	3/8	Ball	5/8	4-213TPRGF
4	1-1/4	300	1-1/2	1/2	Delrin	5/8	4-314TPRGF
5	1-1/4	325	1-5/8	3/8	Ball	3/4	5-213TPRGF
5	1-1/4	325	1-1/2	1/2	Delrin	3/4	5-314TPRGF

Flat tread Advantage wheels offer the same outstanding performance characteristics with the added bonus of greater load capacity. They carry heavier loads while maintaining their non-marking and easy rolling abilities. A flat gray special modulus TPR (Thermoplastic Rubber) tread

permanently bonded to a solid polyolefin wheel core. This unique tread is formulated to resist “chunking” and rejects floor debris. Advantage flat tread models are well suited for institutional uses as well as warehouse, industrial and wet environment.

RUBBER/POLYPROPYLENE CORE

ADVANTAGE™ HEAT WHEELS - RTF/RTR

Capacity Up to 325 lbs.



Features

- **Standard Color/Finish:** Red tread,
- **Temperature Range:** -40°F up to +180°F,
- **Tread Hardness:** 65±5 Shore A Scale,

**TREAD ELASTICITY
vs TEMPERATURE**
Maxium load under
heat in which the tread
will return to its
original state.

175 lbs. at 190° F

150 lbs. at 200° F

125 lbs. at 220° F

90 lbs. at 250° F

75 lbs. at 280° F

40 lbs. at 300° F

Dia. (inch)	Width (inch)	Capacity (lbs)	Hub Length (inch)	Bore (inch)	Wheel Bearing	Bore Less (inch)	Part Number*
Advantage Heat Flat							
3-1/2	1-1/4	225	1-5/8	3/8	Stainless Ball	1-1/8	3-1/2-213ANRTF
4	1-1/4	300	1-5/8	3/8	Stainless Ball	1-1/8	4-213ANRTF
5	1-1/4	300	1-5/8	3/8	Stainless Ball	1-1/8	5-213ANRTF
6	1-1/4	325	1-5/8	3/8	Stainless Ball	1-1/8	6-213ANRTF
Advantage Heat Round							
3-1/2	1-1/4	225	1-5/8	3/8	Stainless Ball	1-1/8	3-1/2-213ANRTR
4	1-1/4	300	1-5/8	3/8	Stainless Ball	1-1/8	4-213ANRTR
5	1-1/4	300	1-5/8	3/8	Stainless Ball	1-1/8	5-213ANRTR
6	1-1/4	325	1-5/8	3/8	Stainless Ball	1-1/8	6-213ANRTR

Unique soft tread wheel handles the heat for autoclave applications. Wheels roll quiet and offer a smoother ride compared to traditional high temperature wheels. Recommended for use in hospitals, laboratories and cleanrooms. Corrosion resistant thermoplastics

make wheel perfect for washdown and steam clean applications. Resilient tread material rejects floor debris compared to many dirt magnet wheels on the market. Choice of ball, stainless ball, precision ball and delrin bearings available.

HARDCORE TECHNOLOGY

SAME CAPACITY

GREATER **IMPACT** ABSORPTION

STEEL CORE IS OLD TECHNOLOGY



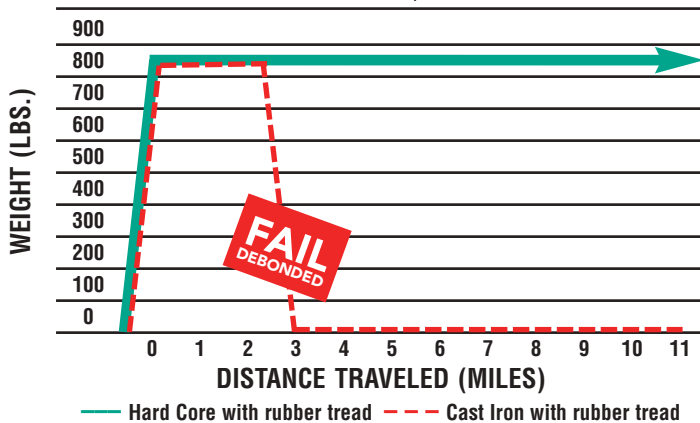
**GLASS-FILLED NYLON (HARDCORE)
NO COMPARISON IN PERFORMANCE!**

LAB tested, FIELD tested,
CUSTOMER approved.

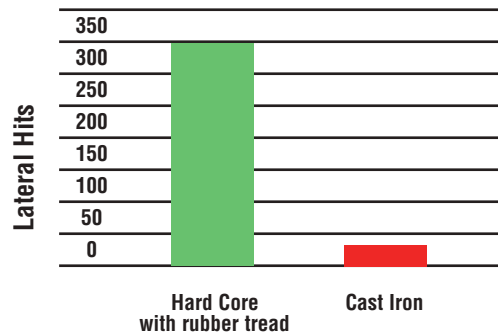
**NO RUST
OR CORE DECAY**

ENDURANCE TEST REPORT

Method: Drum + 3mm bump bar • 6 x 2 wheels



IMPACT TEST REPORT



RUBBER ON GLASS-FILLED NYLON - RN

Capacity Up to 600 lbs.

Part Number	Wheel Diameter (inch)	Tread Width (inch)	Hub Length (inch)	Load Capacity (lbs)
420RN23B	4	2	2-3/16	400
520RN23B	5	2	2-3/16	450
620RN23B	6	2	2-3/16	500
820RN23B	8	2	2-3/16	600

*All RN wheels include installed Roller Bearing & Steel Spanner

Features

- Chemically engineered to replace steel core (cast-iron) wheels.
- No rust or core decay.
- Greater impact absorption than steel core.
- Easy rolling, shock absorption and quiet operation.
- Temperature -30°F up to +160°F

ELASTIC RUBBER ON NYLON - ERN

Capacity Up to 600 lbs.



Features

- 70-75 Durometer Shore A.
- Elastic rubber molded to nylon center.
- 6203 precision bearing.
- Easy rolling, impact resistant and shock absorption.
- 1/2" inner diameter top hat bushings available.
- Temperature -40°F up to +160°F.

Diameter (inch)	Width (inch)	Hub Length	Capacity (lbs)	Part Number
4	2	2-3/16	325	420ERN63U
5	2	2-3/16	475	520ERN63U
6	2	2-3/16	500	620ERN63U
8	2	2-3/16	600	820ERN63U

THERMOPLASTIC RUBBER - TPR & DPR

Capacity Up to 600 lbs.



Features

- Non-marking thermoplastic rubber tread on polyolefin core.
- 70 Durometer Shore A.
- Resist most solvents, oil, grease and water.
- Light weight, smooth rolling and quiet.
- Temperature -45°F up to +180°F.

Diameter (inch)	Width (inch)	Hub Length	Capacity (lbs)	Donut Tread Number	Part Number
4	2	2-3/16	450	420DPR38	420TPR38
5	2	2-3/16	500	520DPR38	520TPR38
6	2	2-3/16	550	620DPR38	620TPR38
8	2	2-3/16	600	820DPR38	820TPR38

Precision ball bearings 38 - 1/2" bore

HIGH TECH RUBBER - FX

Capacity Up to 315 lbs.



Features

- 65 Durometer Shore A.
- Economic option instead of Duratek PPR.
- Thermoplastic rubber bonded to polyolefin core.
- Non-marking.
- Great for factory, institutional and food service environments.
- Temperature -45°F up to +180°F.

Diameter (inch)	Width (inch)	Hub Length	Capacity (lbs)	Precision Ball Bearing	Part Number
3	1-1/4	1-1/2	225	35	314FX35
3-1/2	1-1/4	1-1/2	230	35	3514FX35
4	1-1/4	1-1/2	300	34, 35	414FX*
5	1-1/4	1-1/2	315	34, 35	514FX*

*Precision ball bearings 34, 35

THE MAXIMUM HIGH TECH PERFORMANCE FORMULA

HIGH TECH RUBBER - PPR & DTR

Capacity Up to 675 lbs.



Diameter (inch)	Width (inch)	Hub Length	Capacity (lbs)	Donut Tread Number	Flat Tread Number
4	2	2-3/16	450	420DTR38	420PPR38
5	2	2-3/16	500	520DTR38	520PPR38
6	2	2-3/16	600	620DTR38	620PPR38
8	2	2-3/16	675	820DTR38	820PPR38

Precision ball bearings 38 - 1/2" bore

- Maximum performance and versatility.
- Shock absorption.
- Flat-spotting resistance under heavy loads.
- Impact resistance.
- No corrosion in harsh environments.
- Great for factory, institutional and food service environments.
- Inside or outside applications.
- Repels chemicals, acids, oils, water and more.
- Rejects metal shavings, gravel and debris.
- Non-marking.
- Smooth rolling and quiet.

Features

- Thermoplastic elastomer mechanically bonded to polyolefin core.
- **Temperature Range:** -45°F to +180°F.
- **Hardness:** 65 (+/-5) Shore A.

SUPREME RUBBER - RH

Capacity Up to 1400 lbs.



Features

- High quality supreme rubber tread with a tensile strength of 1200 to 1400 PSI, vulcanized to a solid heavy duty iron core.
- Tapered roller bearings and sealed precision ball bearing are standard.
- Upgraded tread material, core design and bearings; provide the perfect combination needed for use on tow lines and other demanding applications that normal molded rubber wheels may not be able to withstand.
- Offers a shock absorbing semi-cushioned ride, rolls over small debris, uneven surfaces, cracks, floor joints, etc.
- Provides good floor protection and quiet rolling operation.
- Durometer: 75 Shore A +/-5.
- Temperature range: -40°F to +180°F.

Diameter (inch)	Width (inch)	Hub Length	Capacity (lbs)	Precision Ball Bearings*	Part Number
6	2	2-3/16	700	63	RH60JS*
8	2	2-3/16	800	63	RH80JS*
10	3	3-1/4	1000	65, 67	RH10LS*
12	3	3-1/4	1400	65, 67	RH12LS*

Replace* with desired bearing code.

63 Precision ball bearing (w/top hats) ID 1/2"

65 Precision ball bearing (w/top hats) ID 3/4"

67 Precision ball bearing (w/top hats) ID 1"

STEROLLIZER® - SL

Capacity Up to 375 lbs.



Features

- The STEROLLIZER® wheel tread is exclusively engineered.
- Offers a cushioned quiet ride and excellent floor protection.
- Core material offered in both; rust resistant stainless steel for corrosive, wash down and clean environments and aluminum cores for bakeries.
- High-temp sealed precision ball bearings available; for increased mobility.
- Exceptional resistance to water, oil, grease, and most acids, chemicals and cleaning solutions.
- Durometer: 75 Shore A +/-5.
- Temperature range: -40°F to +400°F continuous, 425°F intermittent.

Diameter (inch)	Width (inch)	Hub Length	Capacity (lbs)	Sealed Prec. Ball Bearings*	Part Number
5	2	2-3/16	375	72	SL50J084*

Replace* with desired bearing code.

Other sizes available

72 High-Temp stainless steel sealed precision ball bearings with spanner bushing ID 1/2"



PHENOLIC WHEELS



**PHENOLIC WHEELS
TM**

	<u>PAGE</u>
Phenolic.....	96-99

PHENOLIC WHEELS - TM

Capacity

Up to 2500 lbs.



Wheels are molded of heavy macerated or chopped canvas, impregnated with phenolic resin and accurately formed in close fitting molds under high pressure and temperature.

Features

- **Floor Protective:** Non-marking.
- **Excellent Load Carrying:** Characteristics.
- **Highly Shock Resistant.**
- **Usable Temperature:** Continuous operating temperatures from -65° F to +250° F and intermittent duty to 300° F. See special purpose. Textile wheels for temperatures exceeding these limits.
- **Seals:** All wheels that have 1-3/16" bore and either a 1-5/8" or 2-3/16" hub length equipped with 3/4" straight roller bearing have as a standard feature nylon seal retaining/thrust washers which add 3/16" to hub length and are supplied with 1/2" I.D. hardened spanner bushing.

Optional Features

Most sizes of straight roller or tapered roller bearings can be furnished with seals. Material can be machined to custom configurations for your special application.

- **Lubrication:** All wheels with 1-5/8" and 2-3/16" hub length are nominally lubricated through hollow axle. These wheels can be fitted with zerk fittings where specified. The following wheels must be lubricated through hollow axle or be supplied with prelubricated sealed bearings.

All 3", 3-1/4", 3-1/2", 4", 5" x (1-1/4" and 1-1/2") 6"x 5", 8"x 6", 10"x 6", 12"x 4", as well as TH wheels.

Dia. (inch)	Width (inch)	Capacity (lbs)	Hub Length (inch)	Bore (inch)	Bearing (inch)	Wt. (lbs)	Part Number Roller Bearing (01)	Part Number Tapered Roller (09)
4	2	800	2-3/16	1-3/16	1/2	1-1/2	TM0420108	
4	2	800	2-3/16	1-3/16	5/8	1-1/2	TM0420110	
4	2	800	2-3/16	1-3/16	3/4	1-1/2	TM0420112	
5	2	1000	2-3/16	1-3/16	1/2	1-3/4	TM0520108	
5	2	1000	2-3/16	1-3/16	5/8	1-3/4	TM0520110	
5	2	1000	2-3/16	1-3/16	3/4	1-3/4	TM0520112	
6	2	1200	2-3/16	1-3/16	1/2	2-1/2	TM0620108	
6	2	1200	2-3/16	1-3/16	5/8	2-1/2	TM0620110	
6	2	1200	2-3/16	1-3/16	3/4	2-1/2	TM0620112	
6	3	2000	3-1/4	1-3/16	1	5	TM0650116	
6	3	2000	3-1/4	1-3/16	1-1/4	5	TM0650120	
6	3	2000	3-1/2	1-3/16	3/4	4-3/4		TM0650912
6	3	2000	3-1/2	1-3/16	1	4-3/4		TM0650916
6	3	2000	3-1/2	1-3/16	1-1/4	4-3/4		TM0650920
7	3	2200	3-1/4	1-15/16	1	6-1/2	TM0750116	
7	3	2200	3-1/4	1-15/16	1-1/4	6-1/2	TM0750120	
7	3	2200	3-1/2	1-15/16	3/4	6-1/4		TM0750912
7	3	2200	3-1/2	2	1	6-1/4		TM0750916
7	3	2200	3-1/2	2-11/32	1-1/4	6-1/4		TM0750920
8	2	1400	2-3/16	1-3/16	5/8	4	TM0820110	
8	2	1400	2-3/16	1-3/16	3/4	4	TM0820112	
8	3	2500	3-1/4	1-15/16	1	7-1/4	TM0850116	
8	3	2500	3-1/4	1-15/16	1-1/4	7-1/4	TM0850120	
8	3	2500	3-1/2	1-15/16	3/4	7		TM0850912
8	3	2500	3-1/2	2	1	7		TM0850916
8	3	2500	3-1/2	2-11/32	1-1/4	7		TM0850920

****Capacity Rating is for manual operation. Rating shown is for highest rated capacity bearing.**

= Wheels are c/w spanner bushing and nylon seal retaining/thrust washers.

Hub length of tapered roller bearing wheel shown is measured over spacer tubes.

Hub length of ball bearing wheels 1/4" greater than shown and capacity rating not to exceed 900#.

Continued on Next Page

PHENOLIC/TEXITE

Continued

Dia. (inch)	Width (inch)	Capacity (lbs)	Hub Length (inch)	Bore (inch)	Bearing (inch)	Wt. (lbs)	Part Number Roller Bearing (01)	Part Number Tapered Roller (09)
10	3	2900	3-1/4	1-15/16	1	9-3/4	TM1050116	
10	3	2900	3-1/4	1-15/16	1-1/4	9-3/4	TM1050120	
10	3	2900	3-1/2	1-15/16	3/4	9-1/2		TM0750912
10	3	2900	3-1/2	2	1	9-1/2		TM0750916
10	3	2900	3-1/2	2-11/32	1-1/4	9-1/2		TM0750920
12	3	3500	3-1/4	1-15/16	1	12-3/4	TM1250116	
12	3	3500	3-1/4	1-15/16	1-1/4	12-3/4	TM1250120	
12	3	3500	3-1/2	1-15/16	3/4	12-3/4		TM1250912
12	3	3500	3-1/2	2	1	12-1/2		TM1250916
12	3	3500	3-1/2	2-11/32	1-1/4	12-1/2		TM1250920
12	4	8000	4-1/2	2-11/32	1-1/4	26-1/4		TM1270920
16	3	4000	4-1/4	2-7/16	1-1/4	25	TM1650120	
16	3	4000	4-1/4	2-7/16	1-1/2	25	TM1650124	
16	3	4000	4-1/2	2-7/16	1-1/4	25-3/4		TM1650920
16	4	8000	5-1/4	2-7/16	1-1/4	35-3/4	TM1670120	
16	4	8000	5-1/4	2-7/16	1-1/2	35-3/4	TM1670124	
16	4	8000	5-1/2	2-7/16	1-1/4	35-1/4		TM1670920
18	3	3500	3-1/4	1-15/16	1	23-3/4	TM1850116	
18	3	3500	3-1/4	1-15/16	1-1/4	23-3/4	TM1850120	

**Capacity Rating is for manual operation. Rating shown is for highest rated capacity bearing.

= Wheels are c/w spanner bushing and nylon seal retaining/thrust washers.

Hub length of tapered roller bearing wheel shown is measured over spacer tubes.

Hub length of ball bearing wheels 1/4" greater than shown and capacity rating not to exceed 900#.

PHENOLIC/HIGH TEMP TEXITE



High Temperature Phenolic Wheels (TR) use the same resin as the standard Texite Wheel, but the filler material is substituted with a material that will take higher heat before breaking down.

The material is a reddish brown.

Temperature range - will take heat continuous to + 475° F.
(Intermittent to + 525° F)

Wheels are available with:

- Stainless Steel Spanner Bushings.
- Stainless Steel Roller Bearings.
- Electroless Nickel Plated Roller Bearings.

Applications include baking ovens, curing ovens and autoclaves.

HIGH-TEMP PHENOLIC - HT

Capacity Up to 2600 lbs.



Features

- Phenolic resin mixed with macerated canvas made for high temperature applications best suited for dry heat (powder coating, bakeries, etc).
- Exceptional resistance to oil, grease, and most acids, chemicals and cleaning solutions.
- Hard tread rolls exceptionally easy; not recommended for rough surfaces.
- Durometer: 95 Shore D +/-5.
- Temperature range: -40°F to +475°F continuous, 550°F intermittent.

Diameter (inch)	Width (inch)	Hub Length	Capacity (lbs)	Roller Bearings*	Part Number
4	2	2-3/16	600	02, 04, 05, 09, 92	HT40JQ*
5	2	2-3/16	750	02, 04, 05, 09, 92	HT50JQ*
6	2	2-3/16	900	02, 04, 05, 09, 92	HT60JQ*
8	2	2-3/16	1100	02, 04, 05, 09, 92	HT80JQ*
8	3	3-1/4	1900	24, 26	HT80LQ*
10	3	3-1/4	2400	24, 26	HT10LQ*
12	3	3-1/4	2600	24, 26	HT12LQ*

Replace* with desired bearing code.

02 Roller bearing ID 5/8", 04 Roller bearing ID 3/4",

05 SS Roller bearing ID 3/4", 09 Caged roller bearing ID 3/4"

92 I.D. 3/4" Roller bearing w/stl. bushing 1/2" inner diameter

24 Roller bearing ID 1", 26 Roller bearing ID 1-3/4"





METAL WHEELS



FORGED STEEL/V-GROOVE



STEEL/STAINLESS STEEL



CAST IRON/V-GROOVE

	<u>PAGE</u>
Forged Steel	102-103
Ductile Iron	104-105
Cast Iron	106-109
Steel Wheels	110-112
Stainless Steel	113

FORGED STEEL - FS

Capacity Up to 20,000 lbs.



Drop forged steel wheels are hot forged from carbon steel billets. The forging process improves grain flow, enhances ductility and tensile strength. Suitable for high capacity, abusive applications. Forged steel is 64,000 psi tensile strength.

Features:

- **Wheel Face:** Flat with rounded edges.
- **Finish:** Clear coat enamel.
- **Temperature Range:** Up to 800°F.
- **Hardness:** Rockwell 80 B.

Wheel Options

- **Note:** Select bearings featured are recommended for standard applications. For special applications or alternate bearings, consult Acorn™.
- For customization & special application options, please consult Acorn™.

FORGED STEEL/ LARGE BORE - FH

Capacity Up to 20,000 lbs.

Dia. (inch)	Width (inch)	Capacity (lbs)	Hub Length (inch)	Bore (inch)	Bearing (inch)	Wt. (lbs)	Part Number*
6	2	1500	2-3/16	1-3/16	1/2	6-1/4	FS0620108
6	2	1500	2-3/16	1-3/16	5/8	6-1/4	FS0620110
6	2	1500	2-3/16	1-3/16	3/4	6-1/4	FS0620112
6	2	2500	2-7/16	1-3/8	1/2	6-1/4	FS0620908
6	2	2500	2-7/16	1-7/8	3/4	6-1/4	FS0620912
6	3	6000	3-1/4	2-7/16	1-1/4	20-1/4	FS0630120
6	3	6000	3-1/4	2-7/16	1-1/2	20-1/4	FS0630124
6	3	10,000	3-1/4	2-7/16	1	19-3/4	FS0630916
6	3	10,000	3-1/4	2-7/16	1-1/8	19-3/4	FS0630918
6	3	10,000	3-1/4	2-7/16	1-1/4	19-3/4	FS0630920
8	3	4500	3-1/4	1-15/16	1	18-1/4	FS0830116
8	3	4500	3-1/4	1-15/16	1-1/4	18-1/4	FS0830120
8	3	5500	3-1/2	1-15/16	3/4	18-1/4	FS0830912
8	3	5500	3-1/2	2-1/4	1	18-1/4	FS0830916
8	4	8350	4-1/4	2-7/16	1-1/4	35-1/2	FS0840120
8	4	8350	4-1/4	2-7/16	1-1/2	35-1/2	FS0840124
8	4	10,000	4-1/2	2-7/16	1	36-1/2	FS0840916
8	4	10,000	4-1/2	2-7/16	1-1/8	36-1/2	FS0840918
8	4	10,000	4-1/2	2-7/16	1-1/4	36-1/2	FS0840920
10	3	5000	3-1/4	1-15/16	1	27-3/4	FS1030116
10	3	5000	3-1/4	1-15/16	1-1/4	27-3/4	FS1030120
10	3	6000	3-1/2	1-15/16	3/4	27-1/2	FS1030912
10	4	8350	4-1/4	2-7/16	1-1/4	48	FS1040120
10	4	8350	4-1/4	2-7/16	1-1/2	48	FS1040124
10	4	10,000	4-1/2	2-7/16	1	47-1/4	FS1040916
10	4	10,000	4-1/2	2-7/16	1-1/8	47-1/4	FS1040918
10	4	10,000	4-1/2	2-7/16	1-1/4	47-1/4	FS1040920

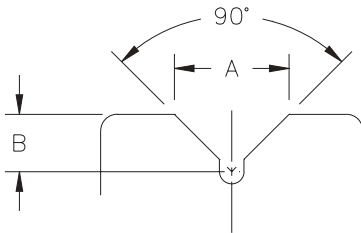
*R = Roller Bearing, P = Precision Ball Bearing, T = Tapered Roller Bearing

Dia. (inch)	Width (inch)	Capacity (lbs)	Hub Length (inch)	Bore (inch)	Bearing (inch)	Wt. (lbs)	Part Number*
6	3	17000	3-1/2	2-7/16	1-1/4	22-1/4	FH0650920
6	3	17000	3-1/2	2-7/16	1-1/2	22-1/4	FH0650924
8	3	6500	3-1/4	2-7/16	1-1/4	34	FH0850120
8	4	20000	4-1/2	3-1/8	1-1/4	34	FH0850920
8	4	20000	4-1/2	3-1/8	1-1/2	34	FH0850924
10	3	6000	3-1/4	2-7/16	1-1/4	37-1/4	FH01050120
10	3	6000	3-1/4	2-7/16	1-1/2	37-1/4	FH01050124
10	3	6500	3-1/2	2-7/16	1	37	FH01050916
10	3	6500	3-1/2	2.33	1-1/4	37	FH01050920
10	4	20000	4-1/2	3-1/8	1-1/4	46-1/4	FH01070920
10	4	20000	4-1/2	3-1/8	1-1/2	46-1/4	FH01070924

FORGED STEEL/V-GROOVE

FORGED STEEL/ V-GROOVE - VF/VH

Capacity Up to 20,000 lbs.



Wheel face and V-groove are machined from drop forged steel. A relief groove at the base of the “V” tends to equalize the load to each face of the angle track when in operation. Wheel face and bore are machined for concentricity to proper tracking. These wheels can be used not only on a track but flat surfaces as well. VH wheels feature a larger bore for greater capacity.

Please note: Track alignment is critical when utilizing V-groove wheels.

Features

- **Wheel Face:** V-groove .
- **Finish:** Clear.

Wheel Options

- **Note:** Select bearings featured are recommended for standard applications.
- For customization & special application options, consult Acorn™.

Wheel Dia. (inch)	Tread Width (inch)	Capacity (lbs)	Hub Length (inch)	Bore ID (inch)	Bearing ID (inch)	Groove Width “A”	Groove Depth “B”	Approx. Weight (lbs)	Part Number*
6	3	6000	3-1/4	2-7/16	1-1/4	1-3/8	11/16	20-1/4	VF0630120
6	3	6000	3-1/4	2-7/16	1-1/2	1-3/8	11/16	20-1/4	VF0630124
6	3	6500	3-1/2	2-7/16	1 1-3/8		11/16	19-3/4	VF0630916
6	3	6500	3-1/2	2-7/16	1-1/4	1-3/8	11/16	19-3/4	VF0630920
6	3	10000	3-1/2	3-1/8	1-1/4	1-3/8	11/16	22	VH0630920
6	3	10000	3-1/2	3-1/8	1-1/2	1-3/8	11/16	22	VH0630924
8	3	6000	3-1/4	1-15/16	1	7/8	7/16	30	VF0830116
8	4	8350	4-1/4	2-7/16	1-1/4	1-3/4	7/8	21-3/4	VF0840120
8	4	8350	4-1/4	2-7/16	1-1/2	1-3/4	7/8	21-3/4	VF0840124
8	4	10000	4-1/2	2-7/16	1	1-3/4	7/8	21	VF0840916
8	4	10000	4-1/2	2-7/16	1-1/4	1-3/4	7/8	21	VF0840920
8	4	15000	4-1/2	3-1/8	1-1/4	1-3/4	7/8	27-1/2	VH0840920
8	4	15000	4-1/2	3-1/8	1-1/2	1-3/4	7/8	27-1/2	VH0840924
10	3	6000	3-1/4	2-7/16	1-1/4	1-3/8	11/16	37-1/2	VH1030120
10	3	6000	3-1/4	2-7/16	1-1/2	1-3/8	11/16	37-1/2	VH1030124
10	3	6000	3-1/2	2-7/16	1	1-3/8	11/16	37	VH1030916
10	3	6000	3-1/2	2-7/16	1-1/4	1-3/8	11/16	37	VH1030920
10	3	5000	3-1/4	1-15/16	1	1-3/8	11/16	27-3/4	VF1030116
10	3	5000	3-1/4	1-15/16	1-1/4	1-3/8	11/16	27-3/4	VF1030120
10	4	8350	4-1/4	2-7/16	1-1/4	1-3/4	7/8	48	VH1040120
10	4	8350	4-1/4	2-7/16	1-1/2	1-3/4	7/8	48	VH1040124
10	4	10000	4-1/2	2-7/16	1	1-3/4	7/8	47-1/4	VH1040916
10	4	10000	4-1/2	2-7/16	1-1/4	1-3/4	7/8	47-1/4	VH1040920
10	4	15000	4-1/2	3-1/8	1-1/4	1-3/4	7/8	46-1/4	VH1040920
10	4	15000	4-1/2	3-1/8	1-1/2	1-3/4	7/8	46-1/4	VH1040924

* R = Roller Bearing, P = Precision Ball Bearing, T = Tapered Roller Bearing

DUCTILE IRON

DUCTILE IRON/ FLAT TREAD - FM

Capacity Up to 6000 lbs.



Features

- **Wheel Face:** FM flat tread design, FR full radius tread design.
- **Finish:** Black painted.

Temperature Range:

Up to +800°F.

Tensile Strength:

65K PSI.

Dia. (inch)	Width (inch)	Capacity (lbs)	Hub Length (inch)	Bore (inch)	Bearing (inch)	Wt. (lbs)	Part Number Plain Bore (00)	Part Number Roller Bearing (01)	Part Number Tapered Roller (09)
5	2	1500	2-3/16	1-3/16	3/4	6	FM0520019	FM0520112	
5	2	1500	2-3/16	1-3/16	1/2	6			FM0520908
6	2	1500	2-3/16	1-3/16	3/4	7-1/2	FM0620019	FM0620112	
6	2	2000	2-3/16	1-3/16	1/2	7-1/2			FM0620908
6	3	6000	3-1/4	1-15/16	1-1/4	11-1/2	FM0640013	FM0640120	
6	3	6000	3-1/4	1-15/16	1-1/4	11-1/2			FM0640912
8	2	2000	2-3/16	1-3/16	3/4	11	FM0820019	FM0820112	
8	2	2000	2-3/16	1-3/16	1/2	11			FM0820908
8	3	6000	3-1/4	1-15/16	1	15-1/2	FM08350031	FM0830116	
8	3	6000	3-1/4	1-15/16	3/4	15-1/2			FM0830912
10	3	6000	3-1/4	1-15/16	1-1/4	20-1/2	FM1030031	FM1030120	
10	3	6000	3-1/4	1-15/16	3/4	20-1/2			FM1030912

DUCTILE IRON/ CROWN TREAD - FR

Capacity Up to 6000 lbs.



Dia. (inch)	Width (inch)	Capacity (lbs)	Hub Length (inch)	Bore (inch)	Bearing (inch)	Wt. (lbs)	Part Number Plain Bore (00)	Part Number Roller Bearing (01)	Part Number Tapered Roller (09)
5	2	1500	2-3/16	1-3/16	3/4	6	FR0520019	FR0520112	
5	2	1500	2-7/16	1-3/8	1/2	6			FR0520908
6	2	2000	2-3/16	1-3/16	3/4	7-1/2	FR0620019	FR0620112	
6	2	2000	2-7/16	1-3/8	1/2	7-1/2			FR0620908
6	3	6000	3-1/4	1-15/16	1-1/4	11-1/2	FR0630013	FR0630120	
6	3	6000	3-1/2	1-15/16	3/4	11-1/2			FR0630912
8	2	1500	2-3/16	1-3/16	1-3/16	11	FR0820019	FR0820112	
8	2	2000	2-7/16	1-3/8	1/2	11			FR0820908
8	3	5000	3-1/4	1-15/16	1-1/4	15-1/2	FR0830031	FR0830116	
8	3	6000	3-1/2	1-15/16	3/4	15-1/2			FR0830912
10	3	5000	3-1/4	1-15/16	1-1/4	20-1/2	FR1030031	FR1030120	
10	3	6000	3-1/2	1-15/16	3/4	20-1/2			FR1030912

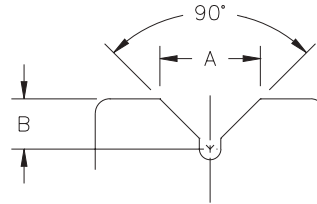
DUCTILE IRON/ V-GROOVE - VM

Capacity Up to 6000 lbs.



V-Groove Measurements

- A: 6" & 8" wheel diameters = 7/8" wide
10" wheel diameters = 1-3/8" wide
- B: 6" & 8" wheel diameters = 7/16" tall
10" wheel diameters = 11/16" tall



Wheel Dia. (inch)	Tread Width (inch)	Capacity (lbs)	Hub Length (inch)	Bore ID (inch)	Bearing ID (inch)	Groove Width "A"	Groove Depth "B"	Approx. Weight (lbs)	Part Number Roller Bearing (01)	Part Number Tapered Roller (09)
6	3	5000	3-1/4	1-15/16	1	7/8	7/16	10-1/2	VM0630116	
6	3	5000	3-1/4	1-15/16	1-1/4	7/8	7/16	10-1/2	VM0630120	
6	3	5000	3-1/2	1-15/16	3/4	7/8	7/16	10-1/2		VM0630912
8	3	5000	3-1/4	1-15/16	1	7/8	7/16	16-1/2	VM0830116	
8	3	5000	3-1/4	1-15/16	1-1/4	7/8	7/16	16-1/2	VM0830120	
8	3	5000	3-1/2	1-15/16	3/4	7/8	7/16	16-1/2		VM0830912
8	3	5000	3-1/2	1-15/16	1	7/8	7/16	16-1/2		VM0830916
10	3	6000	3-1/4	1-15/16	1	1-3/8	11/16	26	VM1030116	
10	3	6000	3-1/4	1-15/16	1-1/4	1-3/8	11/16	26	VM1030120	
10	3	6000	3-1/2	1-15/16	3/4	1-3/8	11/16	26		VM1030912
10	3	6000	3-1/2	1-15/16	1	1-3/8	11/16	26		VM1030916

* R = Roller Bearing, P = Precision Ball Bearing, T= Tapered Roller Bearing

Available in STEEL or STAINLESS STEEL with precision ball bearings and end caps.

CAST IRON - CA

Capacity Up to 8000 lbs.



Cast Iron, sometimes referred to as semi-steel, offers the highest tensile strength in the industry (30,000 psi). A cost-effective solution for high capacity applications.

Features:

- **Wheel face:** Machined flat with rounded edges.
- **Finish:** Gray enamel.
- **Temperature Range:** Up to 800°F, consult Acorn™.
- **Hardness:** Brinell 145.

Wheel Options:

- **Note:** Select bearings featured are recommended for standard applications. For special applications or alternate bearings, consult Acorn™.
- For customization & special application options, please consult Acorn™.

Dia. (inch)	Width (inch)	Capacity (lbs)	Hub Length (inch)	Bore (inch)	Bearing (inch)	Wt. (lbs)	Part Number*
4	3	2000	3-1/4	1-15/16	1	8-1/4	CA0430116
4	3	2000	3-1/4	1-15/16	1-1/4	8-1/4	CA0430120
4	4	4000	4-1/4	2-7/16	1-1/4	10-3/4	CA0440120
4	4	4000	4-1/4	2-7/16	1-1/2	10-3/4	CA0440124
6	3	2800	3-1/4	1-15/16	1	11-3/4	CA0630116
6	3	2800	3-1/4	1-15/16	1 1/4	11-3/4	CA0630120
6	3	2800	3-1/2	1-15/16	3/4	11-1/2	CA0630912
8	2	1800	2-3/16	1-3/16	1/2	8-1/2	CA0820108
8	2	1800	2-3/16	1-3/16	5/8	8-1/2	CA0820110
8	2	1800	2-3/16	1-3/16	3/4	8-1/2	CA0820112
8	3	2800	3-1/4	1-15/16	1	11-3/4	CA0830116
8	3	2800	3-1/4	1-15/16	1-1/4	11-3/4	CA0830120
8	3	2800	3-1/2	1-15/16	3/4	11-1/2	CA0830912
8	4	4000	4-1/4	2-7/16	1-1/4	27-1/4	CA0840120
8	4	4000	4-1/4	2-7/16	1-1/2	27-1/4	CA0840124
8	4	6000	4-1/2	2-7/16	1	26-1/2	CA0840916
8	4	6000	4-1/2	2-7/16	1-1/4	26-1/2	CA0840920
10	3	2800	3-1/4	1-15/16	1	16-3/4	CA1030116
10	3	2800	3-1/4	1-15/16	1-1/4	16-3/4	CA1030120
10	3	2800	3-1/2	1-15/16	3/4	16-1/2	CA1030912
10	4	4000	4-1/4	2-7/16	1-1/4	33	CA1040120
10	4	4000	4-1/4	2-7/16	1-1/2	33	CA1040124
10	4	6000	4-1/2	2-7/16	1	32-1/2	CA1040916
10	4	6000	4-1/2	2-7/16	1-1/4	32-1/2	CA1040920
12	3	2800	3-1/4	1-15/16	1	22	CA1230116
12	3	2800	3-1/4	1-15/16	1-1/4	22	CA1230120
12	3	2800	3-1/2	1-15/16	3/4	21-3/4	CA1230912
14	4	4000	4-1/4	2-7/16	1-1/4	49-1/2	CA1440120
14	4	4000	4-1/4	2-7/16	1-1/2	49-1/2	CA1440124
16	3	4000	4-1/4	2-7/16	1-1/4	52-1/4	CA1630120
16	3	4000	4-1/4	2-7/16	1-1/2	52-1/4	CA1630124
16	4	5000	5-1/4	2-7/16	1-1/4	65-1/4	CA1640120
16	4	5000	5-1/4	2-7/16	1-1/2	65-1/4	CA1640124
18	3	4000	4-1/4	2-7/16	1-1/4	58	CA1830120
18	3	4000	4-1/4	2-7/16	2	58	CA1830124

CAST IRON LARGE BORE CW



Dia. (inch)	Width (inch)	Capacity (lbs)	Hub Length (inch)	Bore (inch)	Bearing (inch)	Wt. (lbs)	Part Number*
LARGE BORE PREMIUM CAST IRON (CA/LB) WITH HIGH TENSILE STRENGTH 30,000 PSI							
8	3	6000	3-1/4	2-7/16	1-1/4	21-3/4	CW0830120
8	3	6000	3-1/4	2-7/16	1-1/2	21-3/4	CW0830124
8	3	8000	3-1/2	2-7/16	1	21-1/2	CW0830916
8	3	8000	3-1/2	2-7/16	1-1/4	21-1/2	CW0830920

*R = Roller Bearing, P = Precision Ball Bearing, T = Tapered Roller Bearing

CAST IRON HIGH TENSILE CH



Dia. (inch)	Width (inch)	Capacity (lbs)	Hub Length (inch)	Bore (inch)	Bearing (inch)	Wt. (lbs)	Part Number Roller Bearing (01)	Part Number Bronze Bearing (22)*	Part Number Annular Ball Bearing (31)
HEAVY DUTY PREMIUM CAST IRON (CA/HT) WITH HIGH TENSILE STRENGTH 30,000 PSI									
5	2	1500	2-3/16	1-3/16	1/2	4-1/4	CH0520108		CH0523108
5	2	1500	2-3/16	1-3/16	5/8	4-1/4	CH0520110		
5	2	1500	2-3/16	1-3/16	3/4	4-1/4	CH0520112	CH0522212	
6	2	1700	2-3/16	1-3/16	1/2	6-1/4	CH0620108		CH0623108
6	2	1700	2-3/16	1-3/16	5/8	6-1/4	CH0620110		
6	2	1700	2-3/16	1-3/16	3/4	6-1/4	CH0620112	CH0622212	
8	2	1800	2-3/16	1-3/16	1/2	8-1/2	CH0820108		CH0823108
8	2	1800	2-3/16	1-3/16	5/8	8-1/2	CH0820110		
8	2	1800	2-3/16	1-3/16	3/4	8-1/2	CH0820112	CH0822212	

*R = Roller Bearing, P = Precision Ball Bearing, T = Tapered Roller Bearing

CAST IRON/ FLANGED - FL

Capacity Up to 8000 lbs.



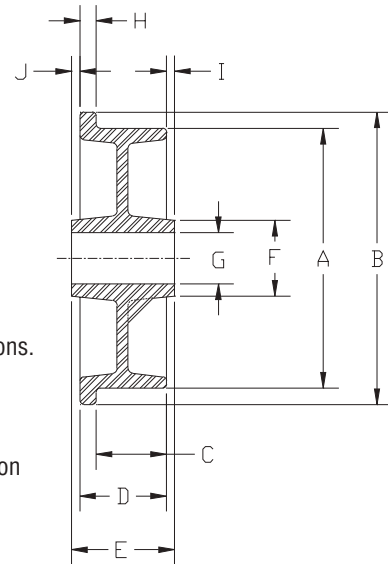
Various bore sizes available for use as plain bore wheels or to be used with keyway and set screw, or with a variety of bearings. Cast iron offers 30,000 psi tensile strength.

Features

- **Finish:** Gray enamel.
- **Temperature Range:** Up to 800°F, consult Acorn™.
- **Hardness:** Brinell 145.

Wheel Options

- **Note:** Select bearings featured are recommended for standard applications. For special applications or alternate bearings, consult factory.
- For customization & special application options, please consult Acorn™.



SINGLE FLANGED WHEELS (Dimensions in Inches)

Face Dia. "A"	Flange OD "B"	Face Width "C"	OA Width "D"	Hub Length "E"	Hub OD "F"	Bore "G"	Flange Width "H"	Hub Offset "I"	Hub Offset "J"	Capacity (lbs)	Bearing ID (inch)	Approx. Wt (lbs)	Part # R=Roller Brg T=Taper Brg
3	4	1	1-3/8	2-3/16	1-5/8	1-3/16	3/8	9/16	1/4	700	3/4	3	FL0320112
3-1/4	4	1	1-3/8	2-3/16	1-3/4	1-3/16	3/8	19/32	7/32	700	3/4	3	FL0310112
4-1/2	5-1/2	1-9/16	2-3/8	2-1/2	2-1/2	1-15/16	13/16	1/16	1/16	1500	1	9-1/2	FL0410116
4-1/2	5-1/2	1-9/16	2-3/8	2-1/2	2-1/2	1-15/16	13/16	1/16	1/16	1500	3/4	9-1/2	FL0410912
5	6	1-1/8	1-1/2	2-3/16	1-3/4	1-3/16	3/8	11/32	11/32	500	3/4	5-1/4	FL0510112
5-3/8	6-1/8	1-5/16	1-11/16	2-3/16	1-3/4	1-3/16	3/8	13/32	3/32	900	3/4	5	FL0520112
5	6	1-1/8	1-15/16	3-1/4	2-1/2	1-15/16	13/16	15/16	3/8	1000	1	6-1/2	FL0520116
5	6	1-1/8	1-15/16	3-1/4	2-1/2	1-15/16	13/16	15/16	3/8	1000	3/4	6-1/2	FL0520912
6	6-3/4	1-5/8	2	2-3/16	1-3/4	1-3/16	3/8	3/32	3/32	900	3/4	8-1/2	FL0620112
7-1/16	8-3/4	1-3/4	2-3/16	2-3/4	3-1/4	1-15/16	7/16	9/32	9/32	1200	1	12-3/4	FL0720116
7-1/16	8-3/4	1-3/4	2-3/16	2-3/4	3-1/4	1-15/16	7/16	9/32	9/32	1200	3/4	12-3/4	FL0720912
8	9-1/2	2	2-1/2	3-1/4	3	1-15/16	1/2	3/8	3/8	1600	1	16-1/4	FL0840116
8	9-1/2	2	2-1/2	3-1/4	3	1-15/16	1/2	3/8	3/8	1600	3/4	16-1/4	FL0840912
10	12	2-3/8	3	3-1/4	3	1-15/16	5/8	1/8	1/8	2000	1	29-1/4	FL1050116
10	12	2-3/8	3	3-1/4	3	1-15/16	5/8	1/8	1/8	2000	3/4	29-1/4	FL1050912
14	16	3	3-5/8	4-1/4	4-1/4	2-7/16	5/8	5/16	5/16	3000	1-1/4	56	FL1460120
14	16	3	3-5/8	4-1/4	4-1/4	2-7/16	5/8	5/16	5/16	3000	1	56	FL1460916

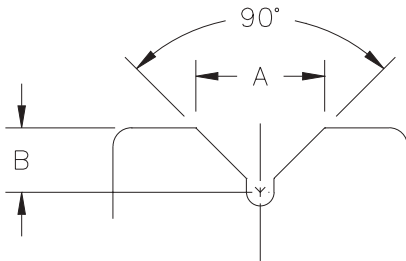
DOUBLE FLANGED WHEELS (Dimensions in Inches)

Face Dia. "A"	Flange OD "B"	Face Width "C"	OA Width "D"	Hub Length "E"	Hub OD "F"	Bore "G"	Flange Width "H"	Hub Offset "I"	Hub Offset "J"	Capacity (lbs)	Bearing ID (inch)	Approx. Wt (lbs)	Part # R=Roller Brg T=Taper Brg
5	6	3/4	1-1/2	2-3/16	1-3/4	1-3/16	3/8	11/32	11/32	500	3/4	6	FD0510112
10	12	1-3/4	3	3-1/4	3	1-15/16	5/8	1/8	1/8	2000	1	35	FD1050116
10	12	1-3/4	3	3-1/4	3	1-15/16	5/8	1/8	1/8	2000	3/4	35	FD1050912

CAST IRON/V-GROOVE

CAST IRON/ V-GROOVE - CA/VG

Capacity Up to 8000 lbs.



Wheel face and V-groove are machined from heavy duty cast iron. A relief groove at the base of the “V” tends to equalize the load to each face of the angle track when in operation. Wheel face and bore are machined for concentricity to proper tracking. These wheels can be used not only on track but flat surfaces as well. **CA/VL wheels feature a larger bore for greater capacity.**

Please note: Track alignment is critical when utilizing V-groove wheels.

Wheel Options

- **Note:** Select bearings featured are recommended for standard applications. For special applications or alternate bearings, consult Acorn™.
- For customization & special application options, consult Acorn™.

Wheel Dia. (inch)	Tread Width (inch)	Capacity (lbs)	Hub Length (inch)	Bore ID (inch)	Bearing ID (inch)	Groove Width “A”	Groove Depth “B”	Approx. Weight (lbs)	Part # R= Roller Bearing
4	2	800	2-3/16	1-3/16	5/8	7/8	7/16	4	VG0420110
4	2	800	2-3/16	1-3/16	3/4	7/8	7/16	4	VG0420112
5	2	800	2-3/16	1-3/16	5/8	7/8	7/16	5	VG0520110
5	2	800	2-3/16	1-3/16	3/4	7/8	7/16	5	VG0520112
6	2	1000	2-3/16	1-3/16	5/8	7/8	7/16	8	VG0620110
6	2	1000	2-3/16	1-3/16	3/4	7/8	7/16	8	VG0620112
8	3	2500	3-1/4	1-15/16	1	7/8	7/16	16-3/4	VG0830116
8	3	2500	3-1/4	1-15/16	1-1/4	7/8	7/16	16-3/4	VG0830120
8	3	2500	3-1/2	1-15/16	3/4	7/8	7/16	16-1/2	VG0830920
8	3	2500	3-1/2	1.98	1	7/8	7/16	16-1/2	VG0830916
8	3	4000	3-1/4	2-7/16	1-1/4	1-3/8	11/16	17-3/4	VL0830120
8	3	4000	3-1/4	2-7/16	1-1/2	1-3/8	11/16	17-3/4	VL0830124
8	3	4000	3-1/2	2-7/16	1	1-3/8	11/16	17-1/4	VL0830916
8	3	4000	3-1/2	2-7/16	1-1/4	1-3/8	11/16	17-1/4	VL0830920
10	3	3000	3-1/4	1-15/16	1	1-3/8	11/16	27	VG1030116
10	3	3000	3-1/4	1-15/16	1-1/4	1-3/8	11/16	27	VG1030120
10	3	3500	3-1/2	1-15/16	3/4	1-3/8	11/16	26-3/4	VG1030912
10	3	3500	3-1/2	2	1	1-3/8	11/16	26-3/4	VG1030916
10	3	4000	3-1/4	2-7/16	1-1/4	1-3/8	11/16	28	VL1030120
10	3	4000	3-1/4	2-7/16	1-1/2	1-3/8	11/16	28	VL1030124
10	3	4000	3-1/2	2-7/16	1	1-3/8	11/16	27-1/4	VL1030916
10	3	4000	3-1/2	2-11/32	1-1/4	1-3/8	11/16	27-1/4	VL1030920

STEEL - STL

Capacity Up to 20,000 lbs.



6" x 2" Steel Wheel
with Precision Steel Ball Bearings
and two Steel Bearing End Caps

Dia. (inch)	Width (inch)	Hub Length (inch)	Axle (inch)	Approx. Wt. (lb)	Capacity (lb)	Part Number P = Prec. Brg
4	1-1/2	1-5/8	1/2	7	600	STLP041508
4	2	2-3/8	1/2	10	1000	STLP042008
5	1-1/2	1-5/8	1/2	11	600	STLP051508
5	2	2-3/8	1/2	14	1000	STLP052008
6	1-1/2	1-5/8	1/2	15	600	STLP061508
6	2	2-3/8	1/2	20	1000	STLP062008
8	1-1/2	1-5/8	1/2	27	600	STLP081508
8	2	2-3/8	1/2	36	1000	STLP082008

P = Precision Ball bearing

Larger sizes available upon request.

Features

- Type 1018 steel .
- Magnetic.
- Wheels can be machined straight sided or machined to contour.
- Slightly crowned tread face with rounded corners.
- Furnished with plain bore/steel bushing, stainless steel roller bearing or steel precision bearing .
- Steel wheels can be made to your specifications or drawings.

Steel Wheels provide the highest degree of sanitation. Type 1018 is magnetic. All wheels are available with Sealed Precision Ball Bearings, Bushings or Roller Bearings. Custom sizes made to prints to fit any application.

ACORN™ MAKES END CAPS AND BUSHINGS TO FIT BEARING ID TO AXLE.



Custom Steel Wheels made by Acorn™ can be made in any size to fit any caster rig or wheel application and replace any type wheel.

- V-Groove
- Flanged
- Crown Tread
- Rollers

DROP FORGED STEEL - FS

Capacity Up to 11000 lbs.



Features

- ASTM 1045 high carbon steel is hot drop forged to improve grain structure of the wheel, enhancing ductibility and tensile strength. This is the ultimate extreme duty wheel.
- Offers the maximum weight capacity, impact strength, durability and rollability of all our wheels.
- Tread face is precisely machined for a smooth, central ride, tread edge is machine round.
- Precision & tapered bearings maximize mobility and performance in towing and severe use environments.
- Hardness: Rockwell 80 B.
- Tensile strength of 60,000 PSI.
- Temperature up to +1300°F.

Diameter (inch)	Width (inch)	Hub Length	Capacity (lbs)	Roller Bearings	Tapered Bearings	Part Number
6	2	2-13/16	2500		73	FS62IT*
6	3	3-1/4	8000	27		FS63IT*
6	3	3-1/4	11000		70, 71, 79	FS63IT*
8	2	2-13/16	3000		73	FS82IT*
8	3	3-1/4	8000	27		FS83IT*
8	3	3-1/4	11000		70, 71, 79	FS83IT*
8	4	4-1/4	11000	33		FS84IT*
10	3	3-1/4	8000	27		FS1030IT*
10	3	3-1/4	11000		70, 71, 79	FS1030IT*
12	3	3-1/4	8000	27		FS1230IT*
12	3	3-1/4	11000		70, 71, 79	FS1230IT*
12	4	4-1/4	11000	33		FS1240IT*

Replace* with desired bearing code.

27, 33 Rolling Bearings

70, 71, 72, 79 Tapered Rolling Bearings w/top hat bushings

DUCTILE V-GROOVE - DV

Capacity Up to 7000 lbs.



Features

- Made specifically for use on inverted angle iron track; they can also be used on flat surfaces.
- Each wheel has a precisely machined 90° V-groove with relief groove which enables load equalization.
- Ductile steel is a combination of special alloys that give it higher weight capacities than cast iron, and is more economical than drop forged steel; also referred to malleable iron; material may flex rather than cracking or breaking when submitted to an extreme shock load.
- Extra thick walled, heavy-duty core, hub & tread face.
- Precision & tapered bearings maximize mobility and performance in towing and severe use environments.
- Tensile strength of 45,000 PSI.
- Temperature -45°F up to +800°F.

Diameter (inch)	Width (inch)	Hub Length	Capacity (lbs)	Precision Ball Bearing*	Part Number
6	2	2-3/16	1500	63	DV60JT63
6	3	3-1/4	5000	65	DV60LT65
6	3	3-1/4	5000	65	DV60LW65
8	3	3-1/4	5000	65	DV80LT65
8	3	3-1/4	5000	65	DV80LW65
10	3	3-1/4	7000	65	DV10LT65
10	3	3-1/4	7000	65	DV10LW65

SOLID STEEL V-GROOVE - SV

Capacity Up to 5000 lbs.



Features

- Solid ASTM 1045 steel, straight sided construction offers the maximum weight capacity and durability of any V-groove type wheel on the market.
- Sealed precision ball bearings offer the best possible mobility and do not require any maintenance.
- Wheels are zinc plated to resist rust.
- Offers long service life; even in ongoing usage applications.
- Popular applications include use in casters and on sliding gates.
- Can be purchased as kits for gate use; includes bushings & axles.

Diameter (inch)	Width (inch)	Hub Length	Capacity (lbs)	Precision Bearing w/Bushing 1/2 ID	Precision Bearing w/Bushing 5/8 ID*	Part Number
4	2	1-13/16	3000	14	19	SV40IT14*
6	2	1-13/16	5000	14	19	SV60IT14*

STAINLESS STEEL

STAINLESS STEEL - SS

Capacity Up to 20,000 lbs.



6" x 2" Stainless Steel Wheel
with Precision Stainless Steel Ball Bearings
and two Stainless Steel Bearing End Caps

Dia. (in)	Width (in)	Hub Length (in)	Axle (in)	Approx. Wt. (lb)	Capacity (lb)	Part Number P = Prec. Brg
4	1-1/2	1-5/8	1/2	7	600	SSP041508
4	2	2-3/8	1/2	10	1000	SSP042008
5	1-1/2	1-5/8	1/2	11	600	SSP051508
5	2	2-3/8	1/2	14	1000	SSP052008
6	1-1/2	1-5/8	1/2	15	600	SSP061508
6	2	2-3/8	1/2	20	1000	SSP062008
8	1-1/2	1-5/8	1/2	27	600	SSP081508
8	2	2-3/8	1/2	36	1000	SSP082008

P = Precision Ball bearing

Larger sizes available upon request.

Features

- Type 304 stainless steel.
- Non-magnetic.
- Non-sparking.
- Excellent corrosion resistance.
- Wheels can be machined straight sided or machined to contour.
- Excellent corrosion resistance.
- Slightly crowned tread face with rounded corners.
- Furnished with plain bore / stainless steel bushing, stainless steel roller bearing or stainless steel precision bearing.
- Stainless steel wheels can be made to your specifications or drawings.

Custom Stainless Steel Wheels made by Acorn™ can be made in any size to fit any caster rig or wheel application and replace any type wheel.

- V-Groove
- Flanged
- Crown Tread
- Rollers

Stainless Steel Wheels provide the highest degree of sanitation. Type 304 is a non-magnetic, non-sparking material with excellent corrosion resistance. All wheels are available with SS Sealed Precision Ball Bearings, SS Bushings or SS Roller Bearings. Custom sizes made to prints to fit any application.



ACORN™ MAKES END CAPS AND BUSHINGS TO FIT BEARING ID TO AXLE.





PNEUMATIC WHEELS



SF/SG

	<u>PAGE</u>
Pneumatic	116-118



PNEUMATIC WHEELS - SF/SG

Capacity Up to 3630 lbs.



Black (SF)

Full Pneumatic (SF) Recommended for the greatest possible protection to both loads and floors. If you transport fragile materials or parts, or if you move delicate instruments over rough floors, you should consider a pneumatic tire. Full pneumatics cushion

the load on air, just like an automobile. They must be properly inflated as indicated in wheel table. Can be filled with urethane foam to make them deflation proof, but foam has no effect on capacity. Suitable for extended service.

Dia. (inch)	Width (inch)	Capacity (lbs)	Ply Rating	Hub Length	Air Pressure	Bearing (inch)	Wt. (lbs)	Part Number
6	2	200	4	2-7/16	50 PSI	1/2	2	SF0622708
8	2	210	4	2-7/16	50 PSI	1/2	3	SF0822708

Roller Bearing (01), Tapered Bearing (09), Ball Bearing (27)



Gray (SG)

- **New Gray Pneumatic** tires feature non-marking floor protection.
- Full pneumatics cushion the load on air, just like an automobile tire.
- Smoother ride over rough floors.

- Load capacities up to 350 lbs. per tire.
- Wheels can be filled with urethane foam to make them deflation proof, but foam has no effect on capacity.

Dia. (inch)	Width (inch)	Capacity (lbs)	Hub Length	Bearing ID (inch)	Wt. (lbs)	Ply Rating	Air Pressure	Part Number
6	2	200	2-7/16	1/2	2	4	50	SG0622708
6	2	200	2-7/16	1/2	2	4	50	SG0622808
8	2	210	2-7/16	1/2	3	4	50	SG0822708
8	2	210	2-7/16	1/2	3	4	50	SG0822808

Roller Bearing (01), Tapered Bearing (09), Ball Bearing (27)

BRASS PNEUMATIC REPLACEMENT TIRE - SF



- Shiny brass hub.
- Black or Gray Pneumatic tires feature non-marking floor protection.
- Full pneumatics cushion the load on air, just like an automobile tire.
- Smoother ride over rough floors.
- Wheels can be filled with urethane foam to make them deflation proof, but foam has no effect on capacity.

Dia. (inch)	Width (inch)	Capacity (lbs)	Hub Length (inch)	Bore (inch)	Bearing (inch)	Wt. (lbs)	Part Number
Black Tread							
8	2.50/4	210	2-7/16	1-3/8	1/2	3	SF084270805
Grey Tread							
8	2.50/4	210	2-7/16	1-3/8	1/2	3	SF084270806

PNEUMATIC HAND TRUCK WHEELS - SO

Capacity Up to 350 lbs.



Dia. (inch)	Width (inch)	Capacity (lbs)	Ply Rating	Hub Length	Air Pressure	Bearing (inch)	Wt. (lbs)	Part Number
10.5	4.10/4	350	4	2-1/4	50	5/8	2	SF1062710

Roller Bearing (01), Tapered Bearing (09), Ball Bearing (27)

Hand Truck Wheel (SO) This 4-ply rating tire with offset hub is the perfect answer for all your hand truck replacement needs.

SEMI-PNEUMATIC HAND TRUCK WHEELS - SN

Capacity Up to 540 lbs.



Dia. (inch)	Width (inch)	Capacity (lbs)	Hub Length (inch)	Bore (inch)	Bearing (inch)	Part Number
6.2	2.00EHS	200	2-1/4	3/4	3	SN/HT0620112
6.2	2.00EHS	200	2-1/2	1/2	3	SN/HT0622708
8.6	2.50EHS	350	3	3/4	5-3/4	SN/HT0840112
8.6	2.50EHS	350	3	1/2	5-3/4	SN/HT0842708
10.0	2.75EHS	350	3-1/4	3/4	7-1/4	SN/HT1040112
10.0	2.75EHS	350	3-1/4	1/2	7-1/4	SN/HT1042708
12.1	3.00EHS	540	3-1/2	3/4	13-1/2	SN/HT1250112
12.1	3.00EHS	540	3-1/2	1/2	13-1/2	SN/HT1252708

Roller Bearing (01), Ball Bearing (27)

Semi-Pneumatic (SN/HT) These shock absorbing pneumatic wheels have no inflation problems, because they are not pressurized. All bearings are pressure lubricated, except the 6" diameter wheels, which must be lubricated through the hollow axle.

NEVER FLAT TIRES - NF

Capacity Up to 350 lbs.



Looks and performs similar to pneumatic wheels, but without the hassles of air pressure maintenance and flat tire repair. Also reduces maintenance time and expense. Closed cell expanded foam construction resists water absorption (unlike others currently in the marketplace).

Features

- Radial sawtooth tread for easy maneuverability and traction (radial tread on 8" model).
- Quiet, smooth operation.
- Non-marking for superior floor protection.
- Rolls over obstacles with ease and absorbs shock to protect cargo.

Dia. (inch)	Width (inch)	Capacity (lbs.)	Hub Description	Bearing ID (inch)	Wt. (lbs.)	Part Number
8	3	300	Offset 1-Piece Hub	1/2	4	NF0852708
8	3	300	Offset 1-Piece Hub	5/8	4	NF0852710
8	3	300	Centered 1-Piece Hub	1/2	4	NF0852708C
8	3	300	Offset 3-Piece Hub	1/2	4	NF0852708T
8	3	300	Offset 3-Piece Hub	5/8	4	NF0852710T
8	3	300	Centered 3-Piece Hub	1/2	4	NF0852708CT
8	3	300	Centered 3-Piece Hub	5/8	4	NF0852710CT

Ball Bearing (27)

Looks and performs similar to pneumatic wheels, but without the hassles of air pressure maintenance and flat tire repair. Also reduces maintenance time and expense. Closed cell expanded foam construction resists water absorption (unlike others currently in the marketplace)

MONOPRENE PNEUMATIC - SZ/SV

Capacity Up to 280 lbs.



The SZ (black) and SV (gray) wheels provide you with all the benefits of a pneumatic tire, without the hassle of getting a flat. These maintenance-free wheels, constructed of solid

monoprene material, which rejects debris and will not go flat, offer the same great features of a pneumatic wheel.

Dia. (inch)	Width (inch)	Capacity (lbs.)	Hub Length (inch)	Bore (inch)	Bearing (inch)	Part Number
SZ Monoprene Pneumatic						
6	2	250	2-7/16	1-3/16	1/2	SZ0622708
8	2	280	2-7/16	1-3/16	3/4	SZ0622712
SV Monoprene Pneumatic						
6	2	250	2-7/16	1-3/16	1/2	SV0622708
8	2	280	2-7/16	1-3/16	3/4	SV0622712

SPECIALTY CASTERS & PRODUCTS

Item	Page
Dolly Casters	2
Stage/Scene Shifting Casters	3
Gate Casters	4
Leveling Casters.....	5-10
New Concepts Leveling Casters	11-12
V-Groove Casters	13-14
Kingpinless Pneumatic Casters	15-16
Turntables	17
Floor Locks	18-19
Leveling Jacks	20
Bumpers.....	21-22
Couplers.....	23

Acorn™ can supply any size and type caster rig with any type wheel with proper size precision ball bearings. Call, fax or e-mail for application assistance, or visit our website to view our complete catalog in PDF format.

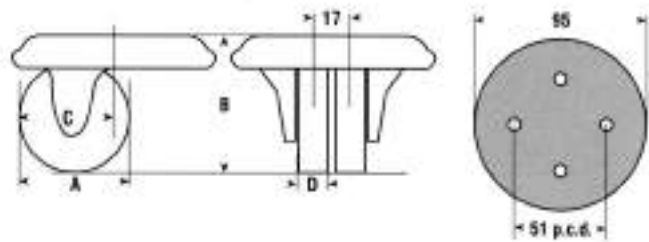
DOLLY CASTERS

LOW HEIGHT TWIN WHEEL DOLLY CASTERS

Designed for special applications where heavy equipment is moved over level surfaces.

Low Height dual wheel casters (type LL) have high load capacity in relation to its overall height. This is due to the center line of the wheels being within the circumference of the large diameter swivel bearing and the benefits of the differential action of dual wheels.

Best suited for use on hard/smooth floors.



LOW HEIGHT TWIN WHEEL DOLLY CASTERS

Dia. (A)	OAH (B)	Swl. Rad. (C)	Tread (D)	Wheel Type (Wheel Code)	Cap. (lb)	Part Number (Plain Bore)
50 mm	64	50	14	Nylacron™ (NY)	350	LHTWNY/050/14/PB
50 mm	64	50	14	Vulkollan® (VY)	350	LHTWVY/050/14/PB
50 mm	64	50	14	Steel (ST)	600	LHTWST/050/14/PB

*All wheels are available with Precision Bearings for easier rolling under load. To specify, replace "Plain Bore" in part number with "26PB" (ex: LHTW-NY/050/14-26PB)



LOW HEIGHT KINGPINLESS DOLLY CASTERS

Designed for special applications where heavy equipment is moved over level surfaces. These casters have high load capacity in relation to its overall height. This is due to the kingpinless construction with a large diameter caster ball race and the wide wheel.

LOW HEIGHT KINGPINLESS DOLLY CASTERS

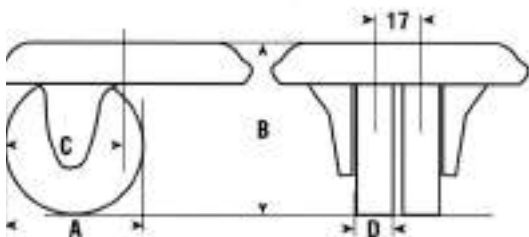
Dia. (A)	OAH (B)	Swl. Rad. (C)	Tread (D)	Wheel Type (Wheel Code)	Cap. (lb)	Part Number (Plain Bore)
85 mm	144	100	75	Urethane/CI Core (UY)	1100	05/72VUY/085/75/PB
85 mm	144	100	75	Vulkollan® (VY)	1100	05/72VVY/085/75/PB
85 mm	144	100	75	Nylacron™ (NY)	1300	05/72VNY/085/75/PB

*All wheels are available with Precision Bearings for easier rolling under load. To specify, replace "Plain Bore" in part number with "26PB" (ex: LHTW-NY/050/14-26PB)

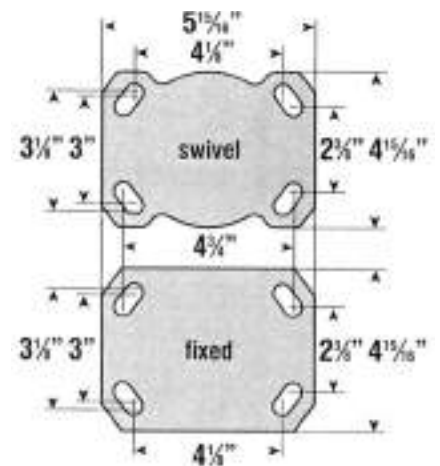
OPTIONAL:

Four Position Swivel Lock - SL4 converts the swivel caster to a fixed position for straight line travel. Add SL4 to caster number.

Optional Top Plates Available



VULKOLLAN®



STAGE/SCENE SHIFTING CASTERS

STAGE/SCENE SHIFTING CASTERS

Primarily used in the theatrical and movie making industries for moving scenery, props and stage equipment. StageMaster incorporates three swiveling casters attached to a heavy-duty swiveling platform base that easily mounts to the item to be moved. The swiveling action of the casters combined with the swiveling action of the platform base allows the operator to easily maneuver heavy, awkward devices in tight quarters with relative ease.



Scene Shifting Dollies
Kingpinless Swivel Section & Nylacron™ Wheels
with Precision Bearings Recommended

DESIGN CHARACTERISTICS

Single or Dual Wheel Caster Design: Dual wheel caster version with 2" or 2-1/2" diameter wheels. Single caster version with 2-1/2" or 3" diameter wheels.

Four-Sided Double Ball Raceway: Hardened steel ball bearings in the load bearing and secondary thrust bearing through the swivel raceway "on all four sides." This protects the central kingpin from shock loading for free swiveling under heavy loads.

Heat Treated Moving Parts: All moving parts are heat treated to a precise molecular depth and Rockwell hardness. This extends StageMaster life under rugged conditions and shock loads.

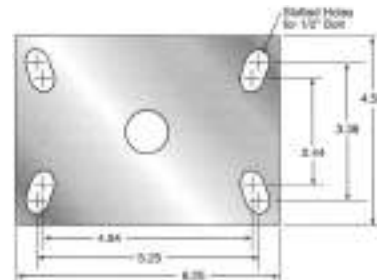
Raceway Dust Caps on Casters / Underbody Seal on Platform Base: Dust caps and underbody seals protect raceways from contamination by dust, dirt, moisture and other debris.

Thread Guards: Single-Wheel version only. Keeps unwanted materials out of wheel bearings thus increasing the life of the StageMaster assembly.

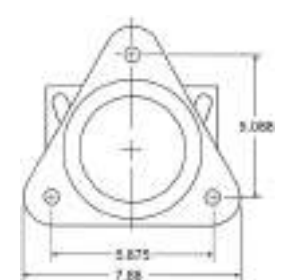
SWIVEL RIG OPTIONS

- Increased Capacities, Diameter and Sizes for any load capacity with Nylacron™ Wheels.
- Kingpinless swivel section and Kingpinless casters recommended for heavy duty applications.
- Black Oxide Finish. Other finishes available, consult Acorn™.
- Wheel Brakes (Consult Acorn™)
- Wheel Materials & Diameters.

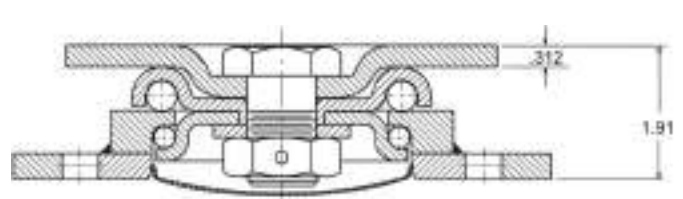
OPTIONAL TOP PLATE



BOLT HOLE CENTERS



SWIVEL SECTION



CASTER SPECIFICATIONS/NYLACRON™ WHEELS

Dia. (inch)	Width (inch)	Cap. (lb)	OAH (inch)	Wheels Per Caster	Wt. (lb)	Swivel Part Number Add B, P, PL, R or T*
2	7/8	1200	5	2	14	SMNYP*0278S
2-1/2	1-1/4	1200	5-1/2	1	13	SMNYP*2512S
3	2	1800	6-1/4	1	20	SMNYP*0320S

*Add "B" for Ball Bearing, "P" for Precision Bearing, "PL" for Plain Bearing, "R" for Roller Bearing or "D" for Delrin Bearing

CAD DRAWINGS FOR STAGE/SCENE SHIFTING CASTERS & DOLLIES AVAILABLE

CUSTOM DOLLIES AVAILABLE

SPRING LOADED GATE CASTERS

GATE & LADDER CASTERS

Load Capacity Up to 210 lbs.

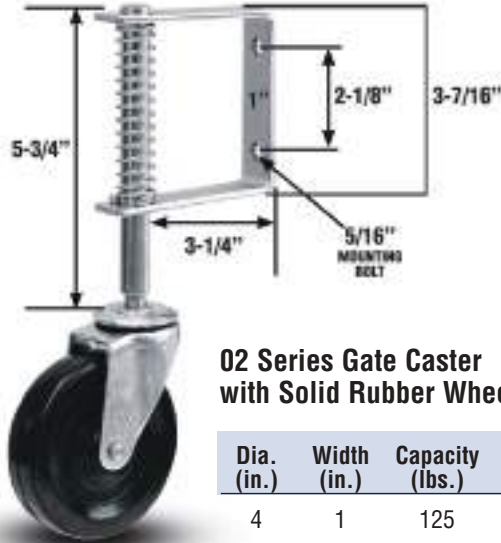


Custom Gate & Ladder Casters Available in Stainless Steel with Nylacron™ Wheels

These casters are designed to make gate opening and closing easy. The casters feature gate mounts and spring loaded shock absorption.

Features

- Gate mount integrated in caster
- Spring loaded design provides shock absorption



02 Series Gate Caster with Solid Rubber Wheel (41 Plain Bearing)

Dia. (in.)	Width (in.)	Capacity (lbs.)	OAH (in.)	Swivel Lead (in.)	Part Number
4	1	125	10-1/2	3.2	02RN04041S007



14 Series Gate Caster with Semi-Pneumatic Tire (27 Radial Ball Bearing)

Dia. (in.)	Width (in.)	Capacity (lbs.)	OAH (in.)	Swivel Lead (in.)	Part Number
8	2-1/2	210	18-1/2	6.5	14SN08427S001

LEVELING CASTERS



- Built-in stabilizer is adjustable.
- Rubber stabilizer “post” helps adsorb shaking and shock.
- Excellent low-profile caster for workstations that only occasionally move.
- Stabilizer acts as a miniature “lock” when fully engaged to prevent caster from moving.
- Strong nylon wheel is non-marking.
- Double race swivel design.
- Available in top plate and stemless fastenings.
- Corrosion resistant zinc plated finishing, sleek chrome plating or ivory powder coating for extra style.
- Extra load capacity with stabilizer engaged.
- Applications include:
 - Computer workstations
 - Work tables
 - Printer and electronic stands

Wheel Dia.	Hub Length	Wheel Type with Plain Bearing	Capacity (lb.) Rolling / Stabilized	OAH	Swivel Lead	Part Number	Type
1-3/4"	1-1/16"	NYL-Nylon	220 / 550	2-3/4"	2-13/32"	932000NYL	Stemless
1-3/4"	1-1/16"	NYL-Nylon	220 / 550	2-3/4"	2-13/32"	932001NYL	Square Plate
1-3/4"	1-1/16"	NYL-Nylon	220 / 550	2-3/4"	2-13/32"	932002NYL	Hexagon Plate
2-1/2"	1-3/8"	NYL-Nylon	320 / 1,000	4-1/32"	3-3/32"	933000NYL	Stemless
2-1/2"	1-3/8"	NYL-Nylon	320 / 1,000	4-1/32"	3-3/32"	933001NYL	Square Plate

Dia.	Type	Size	Code
1-3/4"	Stemless	M12 x 1.75P Tap Depth 9/32"	00
1-3/4"	Hexagon Plate	Overall: 2-3/4" x 2-3/4" Hole Spacing: Center dia. 65mm x 6 holes Attaching Bolt Size: M6 x 1.0P	02
1-3/4"	Square Plate	Overall: 2-7/8" x 2-7/8" Hole Spacing: 2-9/32" x 2-9/32" Attaching Bolt Size: M6 (1/4")	01
2-1/2"	Stemless	M12 x 1.75P Tap Depth 25/32"	00
1-3/4"	Square Plate	Overall: 3-35/64" x 3-35/64" Hole Spacing: 2-3/4" x 2-3/4" Attaching Bolt Size: M8 (5/16")	01

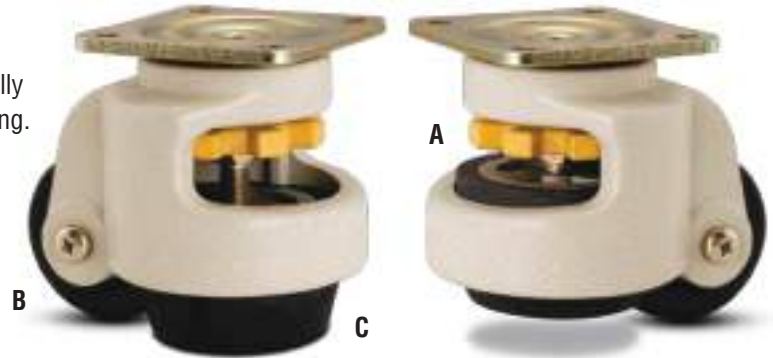
Code	Finish
IPC	Ivory Power Coating (Standard)
ZN	Zinc Plating
CR	Chrome Plating

LEVELING CASTERS

LEVELING CASTERS

Load Capacity Up to 2200 lbs.

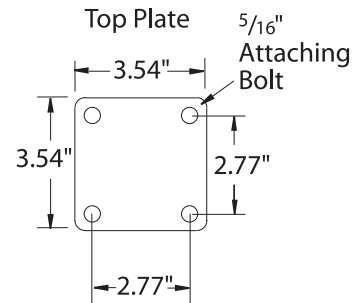
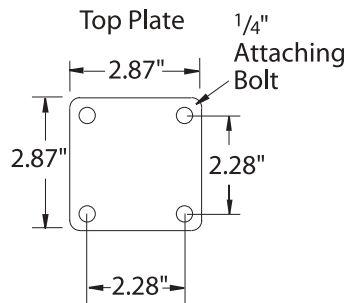
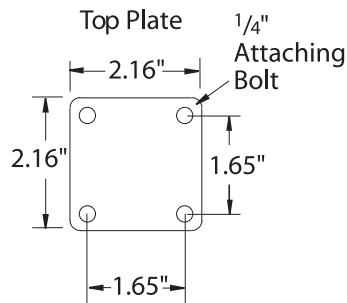
- Stabilizer acts as a miniature "total lock" when fully engaged to prevent caster/equipment from moving.
- Excellent low profile caster.
- Double race swivel design.
- Stylish ivory powder coating.
- NSF Listed for food service industry.



TYPICAL APPLICATIONS

- Computer Workstations.
- Printer and Other Electronic Equipment Stands.
- Work Tables.
- Food Service.
- Pharmaceutical.

- A.** Built-in leveler is easily adjustable.
- B.** Strong nylon wheel is non-marking.
- C.** Rubber stabilizer "post" helps absorb equipment shaking and shock (turn yellow dial until caster is lifted off the ground).



Dia. (inch)	Width (inch)	Hub (lbs.)	OAH (inch)	Max. OAH Using Leveler	Capacity (lb)	Swivel Lead (inch)	Weight (lb)	Part Number
1.68	.70	.80	2.80	3.27	110	3.40	.82	WSLCANNPL0104S
2.00	.88	.93	3.23	3.70	660	3.90	1.50	WSLCANNPL0204S
2.40	1.13	1.23	4.02	4.61	1320	5.30	3.00	WSLCANNPL02X4S
2.86	1.25	1.32	4.72	5.51	2200	5.60	3.70	WSLCANNPL0304S

NYLON WHEEL (NN) / RUBBER LEVELER PAD WITH PLAIN BEARING

LEVELING CASTERS STAINLESS STEEL

Stainless Steel Leveling Caster WMS-60S



FEATURES

- Smooth oscillating level operation.
- Premier type 304 stainless steel construction.
- Caster & leveler in one unit.

BENEFITS

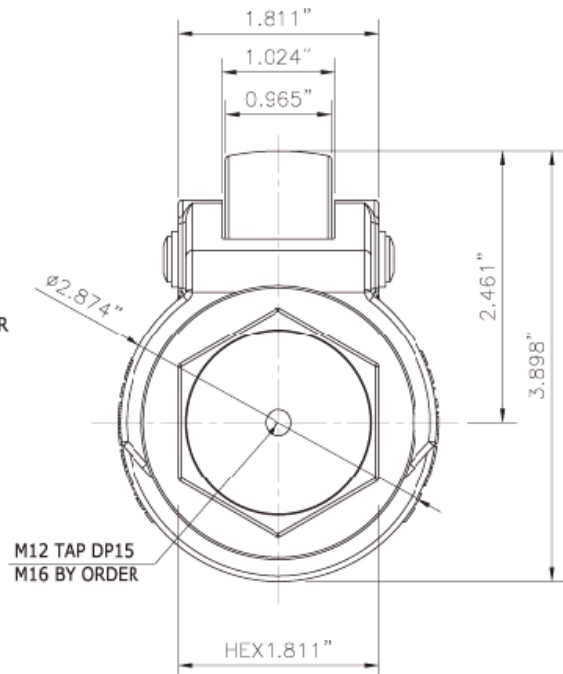
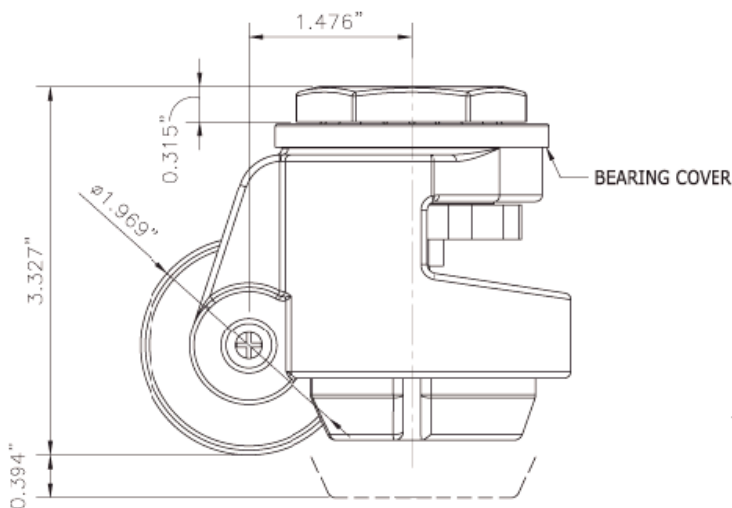
- Excellent corrosion resistance.
- Non-marking pad and wheel.
- Hygienic design bearing cover.

IDEAL APPLICATIONS

- Food Processing Equipment.
- Pharmaceutical & Medical Equipment.
- Packaging Equipment.

PARTS	MATERIALS	FINISH, TYPE, COLOR
Top Plate	Stainless Steel	SUS304
Ball	Stainless Steel	SUS304
Frame	Stainless Steel	SUS304
Handle	Nylon - 6	Orange
Leveler	Stainless Steel	Natural
Pin	Stainless Steel	Natural
Pad	NBR Rubber	Black
Wheel	Nylon - 6	Black

* Ratchet handle: **Stainless Steel SUS304**



LEVELING CASTERS STAINLESS STEEL

PLATE MOUNTS THUMBWHEEL ADJUSTMENT STYLE

Part Number	Maximum Load	Recommended Load	Wheel Diameter	Wheel Width	Min. Height	Max. Height	Plate Size
WMS40F	220	110	1-3/4"	11/16"	2-13/16"	3-3/16"	2.16 x 2.16
WMS60F	1100	550	2"	1"	3-5/16"	3-11/16"	2.87 x 2.87
WMS80F	1763	882	2-1/2"	1-1/8"	4-1/8"	4-11/16"	3.54 x 3.54

PLATE MOUNTS RATCHET ADJUSTMENT STYLE

Part Number	Maximum Load	Recommended Load	Wheel Diameter	Wheel Width	Min. Height	Max. Height	Plate Size
WMISR60F	1100	550	2"	1"	3-5/16"	3-11/16"	2.87 x 2.87
WMISR-80F	1763	882	2-1/2"	1-1/8"	4-1/8"	4-11/16"	3.54 x 3.54

STEM MOUNTS THUMBWHEEL ADJUSTMENT STYLE

Part Number	Maximum Load	Recommended Load	Wheel Diameter	Wheel Width	Min. Height	Max. Height	Mounts Size
WMS40S	220	110	1-3/4"	11/16"	2-13/16"	3-3/16"	M8-1.25 TAP
WMS60S	1100	550	2"	1"	3-5/16"	3-11/16"	M12-1.75 TAP
WMS80S	1763	882	2-1/2"	1-1/8"	4-1/8"	4-11/16"	M12-1.75 TAP
WMSPIN40S	220	110	1-3/4"	11/16"	2-13/16"	3-3/16"	3/8"-16
WMSPIN60S	1100	550	2"	1"	3-5/16"	3-11/16"	1/2"-13
WMSPIN80S	1763	882	2-1/2"	1-1/8"	4-1/8"	4-11/16"	1/2"-13

DIECASTED LEVELING CASTERS

Diecasted Leveling Caster WGD-80F



IDEAL APPLICATIONS

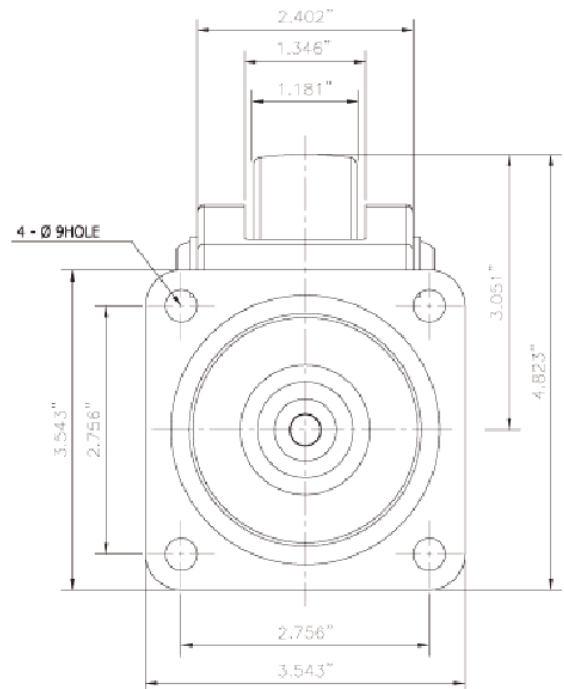
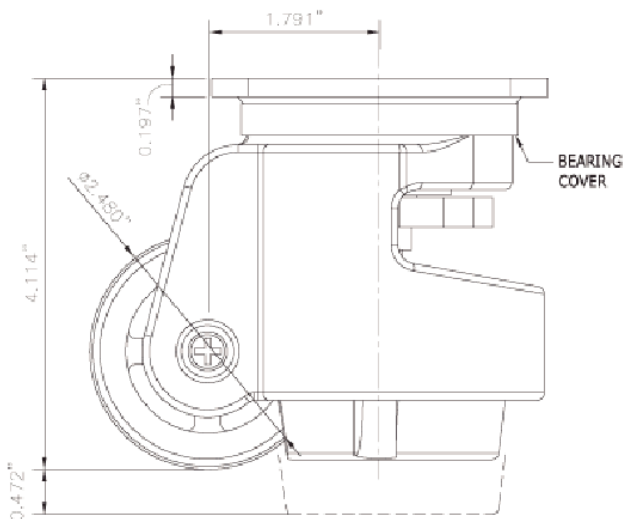
- Semi-conductor Equipment.
- Assembly Equipment.
- Packaging Equipment.
- Workstations.
- Conveyor Systems.
- General Purpose.
- Food Processing Equipment.
- Pharmaceutical & Medical Equipment.

PARTS	MATERIALS	FINISH, TYPE, COLOR
Top Plate	SM45C	Zinc Galvanized
Ball	STB2	NI-Cr
Frame	ADC8	Ivory, Black, Gray
Handle	Nylon - 6	Orange
Leveler	SM45C	Zinc Galvanized
Pin	SM45C	Zinc Galvanized
Pad	NBR Rubber	Black
Wheel	Nylon - 6	Black

*120, 150 series: Handle - stainless steel nut

*120, 150 series: Leveler - stainless steel

*120, 150 series: Pad - ADC8



DIECASTED LEVELING CASTERS

PLATE MOUNTS THUMBWHEEL ADJUSTMENT STYLE

Part Number	Maximum Load	Recommended Load	Finish Color	Wheel Diameter	Wheel Width	Min. Height	Max. Height	Plate Size
WGD40F	110	60	Ivory	1-3/4"	11/16"	2-13/16"	3-3/16"	2.16" x 2.16"
WMI40F	110	60	Gray/Black	1-3/4"	11/16"	2-13/16"	3-3/16"	2.16" x 2.16"
WGD60F	550	300	Ivory	2"	1"	3-5/16"	3-11/16"	2.87" x 2.87"
WMI60F	550	300	Gray/Black	2"	1"	3-5/16"	3-11/16"	2.87" x 2.87"
WGD80F	1100	600	Ivory	2-1/2"	1-3/16"	4-1/8"	4-11/16"	3.54" x 3.54"
WMI80F	1100	600	Gray/Black	2-1/2"	1-3/16"	4-1/8"	4-11/16"	3.54" x 3.54"
WGD100F	1653	825	Ivory	2-13/16"	1-3/16"	4-3/4"	5-3/16"	3.74" x 3.74"
WMI100F	1653	825	Gray/Black	2-13/16"	1-3/16"	4-3/4"	5-3/16"	3.74" x 3.74"
WGD120F	2220	1100	Ivory	2-13/16"	1-3/16"	4-3/4"	5-3/16"	3.74" x 3.74"
WMI120F	2220	1100	Gray/Black	2-13/16"	1-3/16"	4-3/4"	5-3/16"	3.74" x 3.74"
WGD150F	3300	1650	Ivory	3-13/16"	2-7/32"	3-3/16"	5-3/4"	3.94" x 3.94"
WMI150F	3300	1650	Gray/Black	3-13/16"	2-7/32"	3-3/16"	5-3/4"	3.94" x 3.94"

PLATE MOUNTS RATCHET ADJUSTMENT STYLE

Part Number	Maximum Load	Recommended Load	Finish Color	Wheel Diameter	Wheel Width	Min. Height	Max. Height	Plate Size
WMIR60F	550	300	Ivory	2"	1"	3-5/16"	3-11/16"	2.87" x 2.87"
WMIR60F	550	300	Gray/Black	2"	1"	3-5/16"	3-11/16"	2.87" x 2.87"
WMIR80F	1100	600	Ivory	2-1/2"	1-3/16"	4-1/8"	4-11/16"	3.54" x 3.54"
WMIR80F	1100	600	Gray/Black	2-1/2"	1-3/16"	4-1/8"	4-11/16"	3.54" x 3.54"

STEM MOUNTS THUMBWHEEL ADJUSTMENT STYLE

Part Number	Maximum Load	Recommended Load	Finish Color	Wheel Diameter	Wheel Width	Min. Height	Max. Height	Plate Size
WGD40S	110	60	Ivory	1-3/4"	11/16"	2-13/16"	3-3/16"	M8-1.25 TAP
WMI40S	110	60	Gray/Black	1-3/4"	11/16"	2-13/16"	3-3/16"	M8-1.25 TAP
WMPIN40S	110	60	Ivory	1-3/4"	11/16"	2-13/16"	3-3/16"	3/8-16"
WMPIN40S	110	60	Gray/Black	1-3/4"	11/16"	2-13/16"	3-3/16"	3/8-16"
WGD60S	550	300	Ivory	2"	1"	3-5/16"	3-11/16"	M12-1.75 TAP
WMI60S	550	300	Gray/Black	2"	1"	3-5/16"	3-11/16"	M12-1.75 TAP
WMPIN60S	550	300	Ivory	2"	1"	3-5/16"	3-11/16"	1/2-13"
WMPIN60S	550	300	Gray/Black	2"	1"	3-5/16"	3-11/16"	1/2-13"
WGD80S	1100	600	Ivory	2-1/2"	1-3/16"	4-1/8"	4-11/16"	M12-1.75 TAP
WMI80S	1100	600	Gray/Black	2-1/2"	1-3/16"	4-1/8"	4-11/16"	M12-1.75 TAP
WMPIN80S	1100	600	Ivory	2-1/2"	1-3/16"	4-1/8"	4-11/16"	1/2-13"
WMPIN80S	1100	600	Gray/Black	2-1/2"	1-3/16"	4-1/8"	4-11/16"	1/2-13"
WGD100S	1653	825	Ivory	2-13/16"	1-3/16"	4-3/4"	5-3/16"	M16-2.0 TAP
WMI100S	1653	825	Gray/Black	2-13/16"	1-3/16"	4-3/4"	5-3/16"	M16-2.0 TAP
WMPIN100S	1653	825	Ivory	2-13/16"	1-3/16"	4-3/4"	5-3/16"	5/8-11"
WMPIN100S	1653	825	Gray/Black	2-13/16"	1-3/16"	4-3/4"	5-3/16"	5/8-11"
WGD120S	2200	1100	Ivory	2-13/16"	1-3/16"	4-3/4"	5-3/16"	M16-2.0 TAP
WMI120S	2200	1100	Gray/Black	2-13/16"	1-3/16"	4-3/4"	5-3/16"	M16-2.0 TAP
WMPIN120S	2200	1100	Ivory	2-13/16"	1-3/16"	4-3/4"	5-3/16"	5/8-11"
WMPIN120S	2200	1100	Gray/Black	2-13/16"	1-3/16"	4-3/4"	5-3/16"	5/8-11"

**Model part number corresponds to finish color: GRY - Gray, BLK - Black (i.e. WMI-60S-GRY)

** Model No.: GRY: Gray BLK: Black

NEW CONCEPTS LEVELING CASTERS

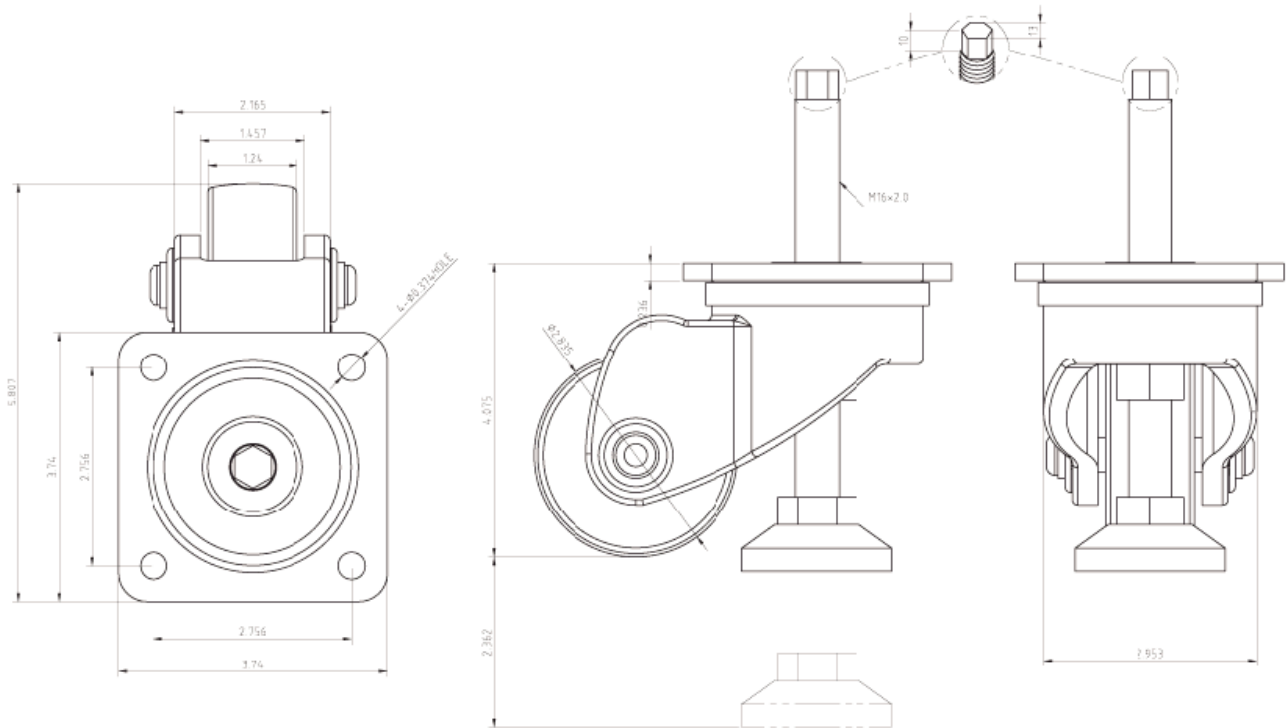
New Concepts Leveling Caster WMLC-700FS



IDEAL APPLICATIONS

- Semi-conductor Equipment.
- Assembly Equipment.
- Packaging Equipment.
- Workstations.
- Conveyor Systems.
- General Purposes.
- Food Processing Equipment.
- Pharmaceutical & Medical Equipment.

PARTS	MATERIALS	FINISH, TYPE, COLOR
Top Plate	SM45C	Zinc Galvanized
Ball	STB2	NI-Cr
Frame	ADC8	Powder Coated: Ivory
Leveler	SM45C	Zinc Galvanized
Pad	SM45C/SPC NBR	NCR Rubber
Pin	SM45C	Zinc Galvanized
Wheel	Nylon - 6	Black



NEW CONCEPTS LEVELING CASTERS

PLATE MOUNTS LEVELING CASTER STYLES

Part Number	Maximum Load	Recommended Load	Wheel Diameter	Wheel Width	Min. Height	Max. Height	Plate Size
WMLC1000FS	2200	1100	3"	2-7/32"	4-13/32"	6-3/4"	3.74" x 3.74"
WMLC1000FSB	2200	1100	3"	2-7/32"	4-13/32"	6-3/4"	3.74" x 3.74"
WMLCD1000FS	2200	1100	2-27/32"	2-7/32"	4-5/16"	6-11/16"	3.74" x 3.74"
WMLC700FS	1540	770	2-27/32"	1-7/16"	4-5/16"	6-11/16"	3.74" x 3.74"
WMLC200FS	440	220	2"	1"	2-27/32"	6-11/16"	2.87" x 2.87"
WMP200FS	440	220	2"	1"	2-27/32"	2-9/12"	2.87" x 2.87"

STEM MOUNTS LEVELING CASTER STYLES

Part Number	Maximum Load	Recommended Load	Wheel Diameter	Wheel Width	Min. Height	Max. Height	Plate Size
WMP200SS	440	220	2"	1"	2-27/32"	2-9/12"	M12 x 1.5 TAP



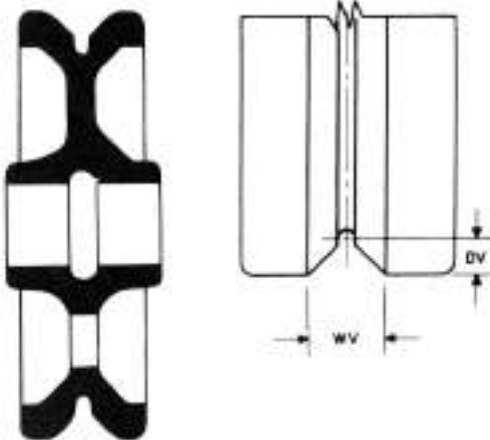
V-GROOVE CASTERS

Designed for use on inverted angle track for any service requiring guidance of the truck or conveyor unit. Suggested uses include movement of production jigs or fixtures in straight line assembly, travel in and out of “blind alley” retorts or ovens, and in assembly or processing operations where rivets, bolts or other wheel stopping hazards might impede normal movement.

V-GROOVE CASTER FEATURES

- Complete flexibility either on the floor or track.
- Wheel face and “V” groove fully machined.
- Wheel Bearings - straight roller, with hardened and precision ground spanner bushing inner race for medium to heavy duty service. Tapered roller bearings for heavier duty or more rugged applications.
- Lubrication - full pressure type to all bearings.
- Finish - Rigs thru Series 90 are plated Series 94 and 95 rigs and all wheels are finished in aluminum enamel.

OPTIONAL FEATURES AVAILABLE:
See appropriate caster series

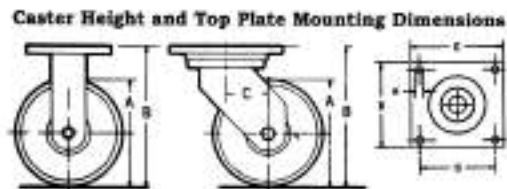


Swivel Caster Model 72-VG-062001-S shown in position on angle iron track

NYLACRON™ Wheels Available



95-VH-10709-R rigid caster with 10 x 4 V-Groove wheel 15,000 pound rating



V-GROOVE CASTERS

V-GROOVE CASTER SPECIFICATIONS with CAST IRON WHEELS

Dia. (inch)	Width (inch)	Cap. (R Brg)	Cap. (T Brg)	OAH (inch)	Hub Length (inch)	Swivel Lead (inch)	Bolt Hole Centers (inch)	Top Plate (inch)	Wt. (lbs.)	Part Number Roller Brg	Part Number Tapered Brg
4	1-3/4	800	-	5-5/8	2-3/16	1-7/16	2-5/8 x 3-5/8	4 x 4-1/2	7-1/2	16VGR04201	-
4	1-3/4	800	-	5-5/8	2-3/16	1-5/16	3-3/8 x 5-1/4	4-1/2 x 6-1/4	9-1/4	62VGR04201	-
4	1-3/4	800	-	5-5/8	2-3/16	1-7/16	2-5/8 x 3-5/8	4-1/2 x 6-1/4	9	71VGR04201	-
4	1-3/4	800	-	5-5/8	2-3/16	1-7/16	2-7/16 x 4-15/16	4-1/2 x 6-1/4	10-1/2	72VGR04201	-
5	2	800	-	6-1/2	2-3/16	1-5/8	2-5/8 x 3-5/8	4 x 4-1/2	8-1/2	16VGR05201	-
5	2	800	-	6-1/2	2-3/16	1-1/2	3-3/8 x 5-1/4	4-1/2 x 6-1/4	10-1/4	62VGR05201	-
5	2	800	-	6-1/2	2-3/16	1-13/16	2-5/8 x 3-5/8	4-1/2 x 6-1/4	10	71VGR05201	-
5	2	800	-	6-1/2	2-3/16	1-13/16	2-7/16 x 4-15/16	4 x 6	11-1/2	72VGR05201	-
6	2	900	-	7-1/4	2-3/16	1-3/4	2-5/8 x 3-5/8	4 x 4-1/2	11-3/4	16VGR06201	-
6	2	1000	-	7-1/2	2-3/16	1-3/4	2-7/16 x 4-15/16	4-1/2 x 6-1/4	13-1/2	62VGR06201	-
6	2	1000	-	7-1/2	2-3/16	2-1/4	2-5/8 x 3-5/8	4 x 5	13-1/4	71VGR06201	-
6	2	1000	-	7-1/2	2-3/16	2-1/4	2-5/8 x 4-7/8	4 x 6	14-3/4	72VGR06201	-
6	2-1/2	2000	2000	7-5/8	3-1/4	1-1/2	3-3/8 x 5-1/4	4-1/2 x 6-1/4	21-3/4	81VGR06401	81VGR06409
6	2-1/2	2500	2500	8	3-1/4	2-1/4	3-3/8 x 5-1/4	5-1/4 x 7-1/4	26-1/4	90VGR-06401	90VGR06409
8	2-1/2	2000	2000	10-1/8	3-1/4	2-1/4	3-3/8 x 5-1/4	4-1/2 x 6-1/4	26-1/4	81VGR08401	81VGR08409
8	3	2500	2500	10-1/2	3-1/4	2-1/2	3-3/8 x 5-1/4	5-1/4 x 7-1/4	31-3/4	90VGR08401	90VGR08409
8	3	4000	4000	10-1/2	3-1/4	2-1/2	4-1/2 x 6	6-1/2 x 7-1/2	42-3/4	94VGR08501	90VGR08509
10	3	3000	3500	12-1/2	3-1/4	2-1/2	3-3/8 x 5-1/4	5 x 7-1/4	42-1/2	90VGR10501	90VGR10509
10	3	3000	3500	12-1/2	3-1/4	2-1/2	3-3/8 x 5-1/4	5 x 7-1/4	42-1/2	90VGR10501	90VGR10509
10	3	4000	4000	12-1/2	3-1/4	2-1/2	4-1/2 x 6	6-1/2 x 7-1/2	53-1/2	94VGR10501	90VGR10509
								6 x 7-1/2			

*Add "B" for Ball Bearing, "P" for Precision Bearing, "PL" for Plain Bearing, "R" for Roller Bearing or "T" for Tapered Bearing.

All Rig Options should be added to the end of the part number. (i.e. 72DW-PB-R*-0415-SL for Swivel Lock)

See Wheel Section for other premium wheels.

V-GROOVE CASTER SPECIFICATIONS with DROP FORGED WHEELS

Dia. (inch)	Width (inch)	Cap. (R Brg)	Cap. (T Brg)	OAH (inch)	Hub Length (inch)	Swivel Lead (inch)	Bolt Hole Centers (inch)	Top Plate (inch)	Wt. (lbs.)	Part Number Roller Brg	Part Number Tapered Brg
6	3	6000	6500	8-1/2	3-1/4	2-1/2	4-1/2 x 6	6-1/2 x 7-1/2 6 x 7-1/2	45	94VFR06501	94VFR06509
6	3	6000	10000	9	3-1/4	2-1/4	7 x 7	8-1/2 x 8-1/2	59-1/2	95VFR06501	95VHR06509
8	4	8350	10000	10-1/2	4-1/4	2-1/2	4-1/2 x 6	6-1/2 x 7-1/2 6 x 7-1/2	47	94VFR08701	94VFR08709
8	4	8350	15000	11	4-1/4	2-1/4	7 x 7	8-1/2 x 8-1/2	61-1/2	95VFR08701	95VHR08709
10	3	6000	6000	12-1/2	3-1/4	2-1/2	4-1/2 x 6	6-1/2 x 7-1/2	63	94VHR10501	94VHR10509
10	4	8350	10000	12-1/2	4-1/4	2-1/2	4-1/2 x 6	6-1/2 x 7-1/2	73-3/4	94VFR10701	94VFR10709
10	3	6000	6000	13	3-1/4	2-1/2	7 x 7	8-1/2 x 8-1/2	67-3/4	95VHR10501	95VHR10509
10	4	8350	15000	13	4-1/4	2-1/4	7 x 7	8-1/2 x 8-1/2	89-1/2	95VFR10701	95VHR10709

*Add "B" for Ball Bearing, "P" for Precision Bearing, "PL" for Plain Bearing, "R" for Roller Bearing or "T" for Tapered Bearing

All Rig Options should be added to the end of the part number. (i.e. 72DW-PB-R*-0415-SL for Swivel Lock)

See Wheel Section for other premium wheels

**ALL V-GROOVE CASTERS ARE NOW AVAILABLE IN KINGPINLESS CONSTRUCTION
WITH NYLACRON™ PRECISION BEARING WHEELS**

KINGPINLESS PNEUMATIC CASTERS

KINGPINLESS PNEUMATIC CASTER FEATURES

4K: Cold forged top plate, yoke and button are all heat treated to prevent brinelling, improve swivel action and increase service life. Load and thrust bearings are hardened and ground and rotate on hardened raceways. All swivel sections are equipped with a lubrication fitting for field maintenance. Notched yokes are standard.

5K Series/Raceway Design: Patented Kingpinless™ single ball bearing precision machined raceway, to 53 Rockwell C minimum, lube fittings for swivel bearings and for wheel bearings. Swivel section features a 2-3/8" diameter raceway with 3/8" ball bearings. Notched yokes are standard.

7K Series/Raceway Design: Patented Kingpinless™ single ball bearing precision machined raceway, to 53 Rockwell C minimum. Swivel section features a 3" diameter raceway with 1/2" ball bearings. Lube fittings for swivel bearings and wheel bearings. Notched yokes are standard.

8K Series/Raceway Design: 4-1/2" diameter raceway with 3/4" diameter carbon steel balls. Precision machined and hardened to 53 Rockwell C minimum. Load and thrust are accommodated by our Patented Kingpinless™ design. Sealed raceway is standard. Swivel Top Plate - SAE 1045 hot steel forging. Swivel Yoke Base - SAE 1045 hot steel forging.

9K Series/Raceway Design: Patented Kingpinless™ single ball bearing precision machined raceway, to 53 Rockwell C minimum. 7" diameter raceway with 3/4" diameter ball bearings.



Note: Maintain proper air pressure for best results. Capacity rating is for manual operation. For capacities of power moved loads, larger diameter or higher capacity wheels, please consult Acorn™.

Options

CWB: Cam Wheel Brake
(8" & 10" only)

DSL: Demountable swivel lock
(requires Notched yoke)

FCWB: Face Contact Wheel Brake
for larger sizes

FF: Foam Filled Tire

HDSL: Heavy-Duty Threaded
Swivel Lock

NY : Notched Yoke

SL: Swivel Lock

SR: Sealed Swivel Raceway

STANDARD TOP PLATES

Series/ Top Plate	Mounting Plate (inch)	Bolt Hole Spacing (inch)	Bolt Size (in)
4K & 5K	4 x 4-1/2	2-5/8 x 3-5/8 slotted to 3 x 3	3/8
7K	5-1/4 x 7-1/4	3-3/8 x 5-1/4 slotted to 4-1/8 x 6-1/8	1/2
8K	6-1/4 x 4-1/2 (swl)	4-1/2 x 6 slotted to 4-1/8 x 6-1/8	1/2
9K	8-1/2 x 8-1/2	7 x 7	5/8

KINGPINLESS PNEUMATIC CASTERS

PNEUMATIC CASTER SPECIFICATIONS

Dia. (inch)	Width (inch)	Cap. (lbs.)	OAH (inch)	Swivel Caster with Straight Roller Bearing	Swivel Caster with Ball Bearing	Swivel Caster with Tapered Bearing	Swl. Lead (inch)	Wt. (lbs.)
8	2.80/4	300	11	4KS8RSF	4KS8BSF	–	2-5/8	9.5
8	2.80/4	300	11	5KS8RSF	5KS8BSF	–	2-5/8	13
8	2.80/4	600	11	5KDWS8RSF	5KDWS8BSF	–	2-5/8	20
10	4.10/4	480	13	4KS10RSF	4KS10RBF	–	3-1/4	11
10	4.10/4	480	13	5KS10RSF	5KS10BSFS	5KS10TSFS	3-1/4	14
10	4.10/4	960	13	5KDWS10RSF	5KDWS10BSFS	5KDWS10TSFSS	3-1/4	22
12	4.10/6	500	15-1/2	4KS12RSF	4KS12RBF	–	3-1/2	14.5
12	4.10/6	500	15-1/2	5KS12RSF	5KS12BRSF	5KS12TRSF	3-1/2	15
12	4.10/6	1000	15-1/2	5KDWS12RSF	5KDWS12BRSF	5KDWS12TRSF	3-1/2	35
14	5.30/6	870	17-3/4	7KS14RSF	7KS14BS	7KS14TSF	4-1/2	28
14	5.30/6	1740	17-3/4	7KDWS14RSF	7KDWS14BS	7KDWS14TSF	4-1/2	41
16	4.80/8	1000	19-1/8	7KS16RSF	–	7KS16TSF	4-1/2	35
16	4.80/8	1230	19-1/8	–	–	8KS16TSF	4	45
16	4.80/8	2000	19-1/8	7KDWS16RSF	–	7KDWS16TS	4-1/2	53
16	4.80/8	2460	19-1/8	–	–	8KDWS16TS*	4	45
18	5.70/8	1170	21-1/4	7KS18RSF	–	7KS18TSF	4-1/2	35
18	5.70/8	2340	21-1/4	7KDWS18RSF	–	7KDWS18TSF	4	45
18	5.70/8	1560	21-1/2	8KS18RSF	–	8KS18TSF	4-1/2	53
18	5.70/8	3120	21-1/2	8KDWS18RSF	–	8KDWS18TS	4	45
21	6.90/9	2420	24-1/4	–	–	10KS21T	5	84.5
21	6.90/9	4840	24-1/4	–	–	10KDWS21T	5	130
23	6.50/10	2775	26-1/4	–	–	10KS23T	5	87
23	6.50/10	5550	26-1/4	–	–	10KDWS23T	5	135
25	7.50/10	3630	28-3/4	–	–	10KS25T	5	90.5
25	7.50/10	7260	28-3/4	–	–	10KDWS25T	5	140

For rigid casters, change "S" to "R" (i.e. 4KS8RSF becomes **4KR8RSF**)

All Rig Options should be added to the end of the part number. (i.e. 4KS8RSFSL for Swivel Lock)

ALL PNEUMATIC WHEELS ARE AVAILABLE WITH SEALED PRECISION BEARINGS

*Add 1/8" to caster overall height when using this top plate.

**Deduct 1/16" to caster overall height when using this top plate.

***6 ply

****10 ply

4 ply is standard

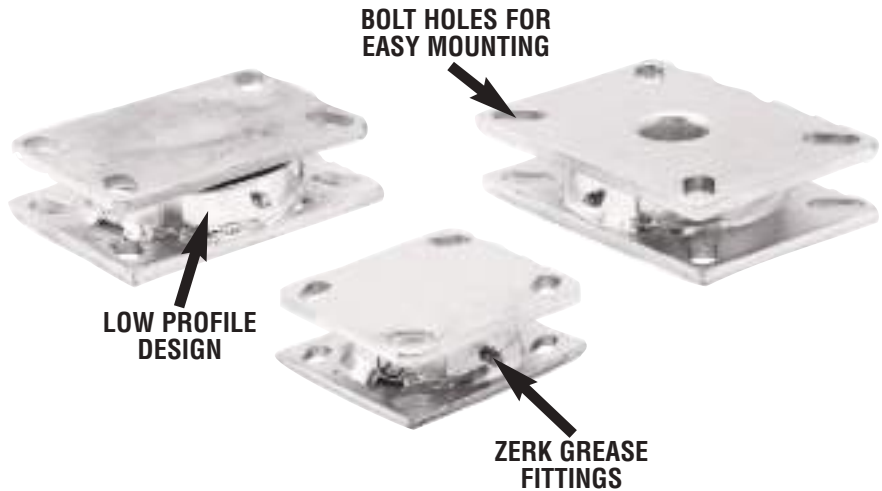
OPTIONAL TOP PLATES

Series/ Top Plate	Mounting Plate (inch)	Bolt Hole Spacing (inch)	Bolt Size (inch)
4K & 5K Top Plates			
4KJ	4 x 5	2-5/8 x 3-5/8 slotted to 3 x 4	3/8
4KK	4-1/2 x 6-1/2	2-7/16 x 4-15/16 slotted to 3-3/8 x 5-1/4	1/2
4KD	5 x 5-1/2	4-1/8 x 4-1/2	3/8
7K Top Plates			
7KB	6 x 7	4-5/8 x 5-1/2 slotted to 4-3/8 x 5-5/8	1/2
7KC	6 x 7-1/2	4-1/2 x 6 slotted to 4-1/8 x 6-1/8	1/2
7KE	4-1/2 x 6-1/2	2-7/16 x 4-15/16 slotted to 3-3/8 x 5-1/4	1/2
9K Top Plates			
9KA	8-1/2 x 11	7 x 9-3/4	5/8

Maintain proper air pressure for best results. Capacity rating is for manual operation. For capacities of power moved loads, larger diameter or higher capacity wheels, please consult Acorn™.

TURNTABLES

- Capacity up to 10 tons.
- A proven workhorse in the most abusive applications.
- Maximize workspace...enables workers to remain in one position and rotate items they're working with from all sides.
- Zinc plated finish.
- Kingpinless design for added strength and durability.



“Forged Steel” Construction • Plates are AISI 1045 steel one-piece forging precision machined and through-hardened. Bearing mounted on precision machined raceway.

Part Number	Description	Top Plate Size (inch)	Overall Height (inch)	Capacity (lbs.)
TT100000	1/4" thick mounting plates, 3/8" ball bearings	4" x 4-1/2"	1.73"	1700
TT300000	5/16" mounting plates, 1/2" ball bearings	4-1/2" x 6-1/4"	1.73"	5500
TT400000	3/8" thick mounting plates, 1/2" ball bearings	5-1/4" x 7-1/4"	1.73"	5500
TT600000	1/2" thick mounting plates, 3/4" ball bearings 4-1/2" raceway	6-1/4" x 7-1/4"	2.75"	10000
TT700000	1/2" thick mounting plates, 3/4" ball bearings 7" raceway	8-1/2" x 8-1/2"	3.125"	20000

“Stamped Steel” Construction • Plates are AISI 1045 heat treated steel welded inside and out. Bearing mounted on heat treated machined raceway.

Part Number	Description	Top Plate Size (inch)	Overall Height (inch)	Capacity (lbs.)
TT110000	1/4" thick mounting plates, 3/8" ball bearings	4" x 4-1/2"	1.53"	1400
TT310000	5/16" mounting plates, 1/2" ball bearings	4-1/2" x 6-1/4"	1.75"	4100
TT410000	3/8" thick mounting plates, 1/2" ball bearings	5-1/4" x 7-1/4"	1.75"	5400
TT610000	1/2" thick mounting plates, 3/4" ball bearings 4-1/2" raceway	6-1/4" x 7-1/4"	2.78"	9500

FLOOR LOCKS

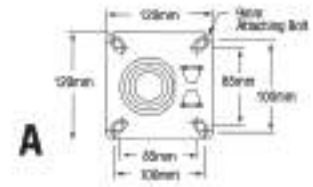
16 LE Series

- Top plate fitting medium duty truck lock.
- Extra heavy duty construction.
- Safely secures the truck in position while loading or unloading.
- Instantly released by slight downward pressure.
- Large diameter, non-skid rubber pad ensures firm grip to uneven ground surfaces.
- Operating force does not vary with load.
- Finish: Zinc plated or ROHS compliant.



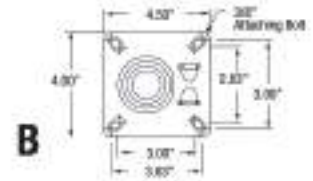
STANDARD 16 SERIES TOP PLATE (DRAWING A)

Wheel Diameter (inch)	Caster Height (inch)	Retracted Clearance (inch)	Approx. Weight (lbs.)	Part Number
5	6-1/2	1-1/2	3-3/4	16LE0580
6	7-1/4	1-1/2	3-3/4	16LE0680
8	9-1/2	1-1/2	3-3/4	16LE0780
6	7-1/2	1-1/2	3-3/4	110LE0680
8	10-1/8	1-1/2	3-3/4	110LE0880



INTERNATIONAL ISO TOP PLATE (DRAWING B)

Wheel Diameter (inch)	Caster Height (inch)	Retracted Clearance (inch)	Approx. Weight (lbs.)	Part Number
6	210mm	1-1/2	3-3/4	16LE0690
8	259mm	1-1/2	3-3/4	16LE0890

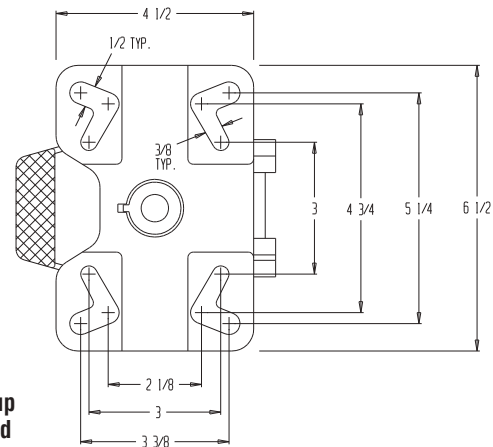


FL-ADJ Series

This one of a kind floor lock includes an adjustable height foot pad that will work on carts with different caster heights. The adjustable height feature provides uniform locking and safety unlocking force for better ergonomic operation. This feature also keeps the floor lock working properly as spring and pads wear over time. Height is adjustable by turning the bottom pad. This unit has a bright zinc plated finish with heavy-duty cast steel construction. The bottom pad includes suction cups for extra grip.



Suction cup bottom pad



Part Number	Extended Height (inch)	Retracted Height (inch)	Used with Caster Size (inch)	Approx. Wt. (lbs.)
Zinc plated finish with heavy-duty steel construction				
FLADJ46	5-3/4" to 8"	4-3/4" to 7"	4" - 6"	9
FLADJ810	7-5/8" to 10-7/8"	6-1/4" to 9-1/2"	8" - 10"	11

Stainless Steel Construction

FLADJ46SS	5-3/4" to 8"	4-3/4" to 7"	4" - 6"	9
FLADJ810SS	7-5/8" to 10-7/8"	6-1/4" to 9-1/2"	8" - 10"	11

FLOOR LOCKS

Standard Steel Floor Locks

Model Number	Height Unlocked	Height Locked	Bolt Hole Centers	Bolt Hole Spacing	Top Plate Size	Bolt Hole Size	Weight (Approx)
FL4	4-1/2"	5-5/8"	3" x 3"	2-5/8" x 3-5/8"	4" x 4-1/2"	3/8"	3.5
FL5	5-3/8"	6-1/2"	3" x 3"	2-5/8" x 3-5/8"	4" x 4-1/2"	3/8"	4
FL6	6-1/2"	7-1/2"	3" x 3"	2-5/8" x 3-5/8"	4" x 4-1/2"	3/8"	4
FL8	8-1/2"	9-1/2"	3" x 3"	2-5/8" x 3-5/8"	4" x 4-1/2"	3/8"	4

Standard Steel Floor Locks (FL)



Stainless Steel Floor Locks (SSFL)



Stainless Steel Floor Locks

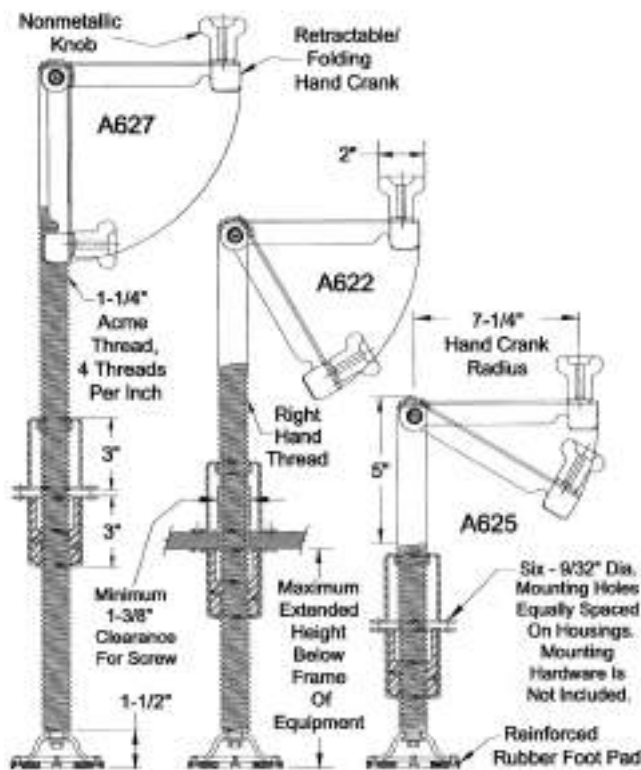
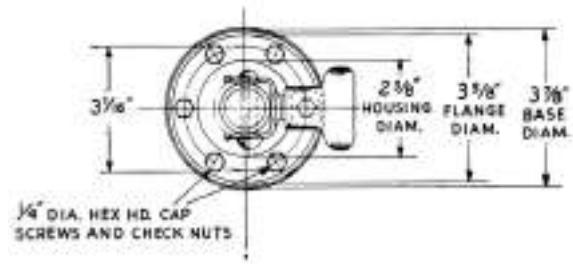
Model Number	Height Unlocked	Height Locked	Bolt Hole Centers	Bolt Hole Spacing	Top Plate Size	Bolt Hole Size	Weight (Approx)
SSFL4	4-1/2"	5-5/8"	3" x 3"	2-5/8" x 3-5/8"	4" x 4-1/2"	3/8"	3.5
SSFL5	5-3/8"	6-1/2"	3" x 3"	2-5/8" x 3-5/8"	4" x 4-1/2"	3/8"	4
SSFL6	6-1/2"	7-1/2"	3" x 3"	2-5/8" x 3-5/8"	4" x 4-1/2"	3/8"	4
SSFL8	8-1/2"	9-1/2"	3" x 3"	2-5/8" x 3-5/8"	4" x 4-1/2"	3/8"	4

Typical Floor or Truck Lock Installation Configuration



LEVELING JACKS

Economical and practical method for leveling and stabilizing portable equipment such as work stations. Used to brake equipment in place and elevate it to the required height. An economical and practical method for leveling and stabilizing portable equipment such as work platforms. They are used to brake equipment in place and elevate it to a required height. These screw jacks can be used in areas where position locks cannot be applied. The hand crank has a radius of 7-1/4". All exposed metal parts are zinc plated for proven rust prevention.



A- Series Leveling Jack Heavy Duty Premium

Length of of Screw Travel (inch)	Overall Height (inch)	Maximum Extended Height Below Frame of Equipment (inch)	Minimum Height Below Frame of Equipment (inch)	Floor Jack Catalog Number	Approx. Weight (lbs.)
9	18	13-1/2"	4-1/2"	A625	9
17	26	21-1/2"	4-1/2"	A622	12
21	30	25-1/2"	4-1/2"	A627	13

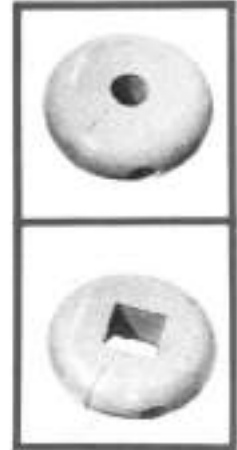
BUMPERS

ROUND TUBING BUMPER

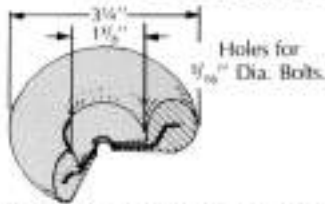
3" OUTSIDE DIAMETER	Number
5/8" Diam. I.D.	A-8400
3/4" Diam. I.D.	A-8401
7/8" Diam. I.D.	A-8402
1" Diam. I.D.	A-8403
1-1/4" Diam. I.D.	A-8404
Weight 3 oz. each.	
5" OUTSIDE DIAMETER	Number
3/4" Diam. I.D.	A-8355
1" Diam. I.D.	A-2270
1-1/4" Diam. I.D.	A-2274
1-1/2" Diam. I.D.	A-2275
1.9" Diam. I.D.	A-2276
Weight 12 oz. each.	

SQUARE TUBING BUMPER

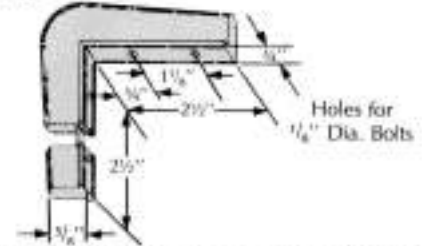
3" OUTSIDE DIAMETER	Number
7/8" Square I.D.	A-8409
1" Square I.D.	A-8410
Weight 4 oz. each.	
5" OUTSIDE DIAMETER	Number
7/8" Square I.D.	A-8847
1" Square I.D.	A-7688
1-1/4" Square I.D.	A-4953
1-1/2" Square I.D.	A-2272
1-5/8" Square I.D.	A-5375
1-3/4" Square I.D.	A-6147
2" Square I.D.	A-2273
1-5/8" x 1-13/16 Rectangle	A-2271
Weight 12 oz. each.	



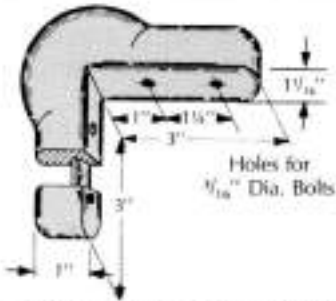
DOUGHNUT AND CORNER BUMPERS



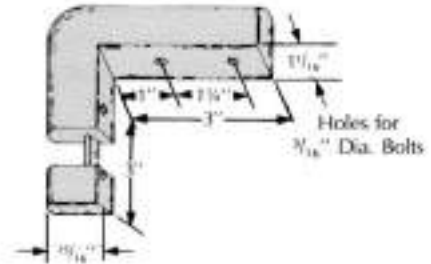
A-813 DOUGHNUT BUMPERS. Commonly installed on the ends of tubular handles to give needed protection in manipulation of equipment. Note steel insert. Attached to wood with wood screws or to metal with rivets, bolts or metal screws. Weight 6 oz. each.



A-2680 CORNER BUMPER. Made especially for use with A-1541 Strip Bumper, giving a uniform continuous effect all around the equipment. Weight 5 oz. each.



A-833 CORNER BUMPERS. Made to give adequate protection to all surfaces that may be contacted, such as doors, doorfacings, walls, furniture and other equipment. Easily attached by using self-tapping sheet metal screws. Weight 6 oz. each.



A-1676 CORNER BUMPERS. Made especially for use with A-567 Strip Bumper, giving a uniform continuous effect all around the equipment. Weight 5 oz. each.

TIRING



GREY 7/8" TIRING is compounded for use on wheelchairs and other similar wheels. Has very good wearing qualities and will withstand rough use. Tiring can be supplied in lengths up to 250 ft. Weight 5 oz./ft. Black also available.



GREY 1-1/4" TIRING is compounded for use on wheelchairs and other similar wheels. Has very good wearing qualities and will withstand rough use. Tiring can be supplied in lengths up to 250 ft. Weight 6 oz./ft. Black also available.

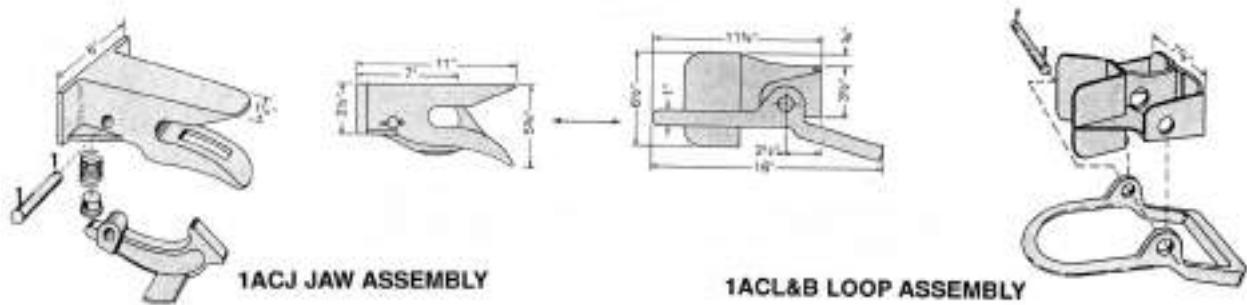
BUMPERS - (WITH OR WITHOUT INSERTS) - CAN BE PROVIDED IN SPECIAL LENGTHS

COUPLERS

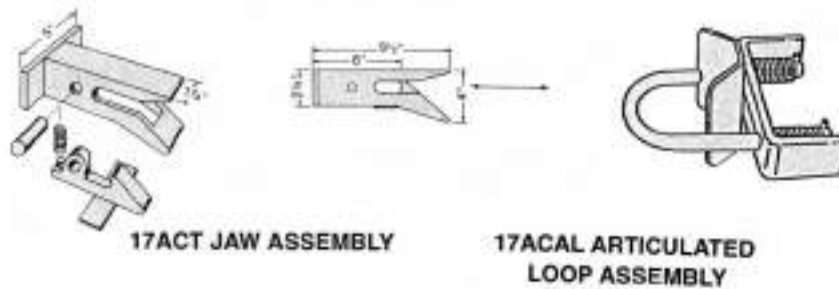
Automatic couplers are almost universally seen on caster-steer trailers – interchangeable with most makes.

Made in two capacities: the heavy duty model for trailers of 1-1/4 ton to 10 ton capacity; has cast steel bail and jaw sections; the light duty model for up to 2,500 lb. trailers has a fabricated bail section and smaller jaw assembly. (Both are interchangeable with comparable competitive brands, but a light duty jaw will not accept a heavy duty bail.)

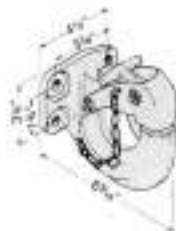
10 TON AUTOMATIC



1-1/4 TON AUTOMATIC

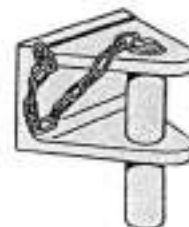


10 TON MANUAL



PH10 PINTLE HOOK

Also known as a "military hitch" because of its use by the armed forces. Very popular on ground support vehicles. Meets Military Spec MS51335. 10 Ton Capacity - Weight 11 lbs.



PC10 PIN & CLEVIS

Standard Model has 1" dia pin. Perfect for towing rings up to 3". Other sizes available on request. 10 Ton Capacity - Weight 5 lbs.