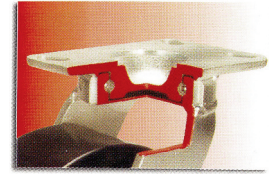


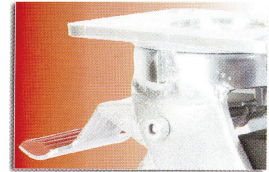
**LEADING SIDE
TOTAL LOCK SWIVEL CASTER**
Add TL to swivel caster number

Available Toe Guard
TO

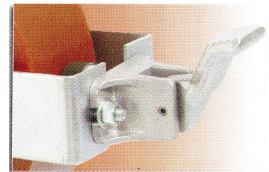
**NEW TRAILING SIDE
TOTAL LOCK SWIVEL CASTER**
No need to move cots back and forth
for finding the brake pedal.
Add TLN to swivel caster number



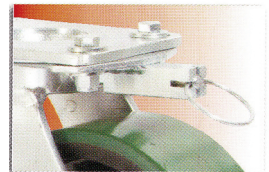
Swivel Head Section



Total Lock System



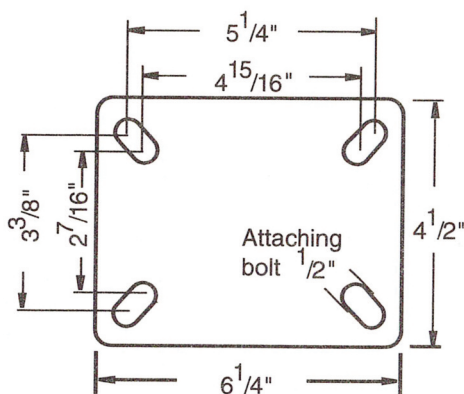
Wheel Face Brake



Directional Lock

4,000 LBS. LOAD CAPACITY FORGED KINGPINLESS TYPE CASTERS

- Single piece Drop Forged AISI 1045 Steel Top Plate and Fork Base.
- Precision CNC Machined Raceways with 3" diameter with 1/2" ball bearings.
- Induction Hardening of Raceways ensures uniform depth of hardness.
- Totally Sealed Swivel Head with Grease Nipple.
- 5/16" Thick Fork Legs Robotically welded Inside & Outside to 3 1/2" fork spacing.
- 3/4" Wheel axle.
- 4 Position Directional Lock Slots.
- Finish: Bright Zinc Plated.



TOP PLATE
4-1/2 X 6-1/4

BOLT HOLE CENTER
3-3/8 X 5-1/4
SLOTTED TO
2-7/16 X 4-15/16

ATTACHING BOLT SIZE
1/2

RIG OPTIONS
DL: 4-WAY DIRECTIONAL LOCK

WFB: WHEEL FACE BRAKE
ADD TO SUFFIX
OF THE CASTER PART NUMBER

TOE GUARDS
SPECIFY "TO"
WITH CASTER NUMBER

NY/MD WHEELS

NYLACRON™ WHEELS

- Precision Machined from Cast Polyamide Hardness 112-120 Rockwell R.
- Ultimate choice for Extremely High Load applications to replace metallic wheels.
- Offer very high abrasion resistance and very low rolling resistance under extreme loads.

- Resistant to salt, grease, alcohol and mild acids - can be used in corrosive applications with appropriate bearings.
- Precision Ball Bearings.
- Temperature Range: -40°F to +270°F.



Part Number Swivel Caster	Part Number Swivel with Total Lock	Part Number Rigid Caster	Wheel Diameter (inch)	Tread Width (inch)	Load Capacity (lbs)	Overall Height (inch)	Swivel Radius (inch)	Swivel Radius w/Total Lock (inch)	Swivel Radius w/Wheel Brake (inch)
GRDUS63NYMD	GRDUTL63NYMD	GRDUR63NYMD	6	3	4000	7-1/2	5-1/2	6	10-1/2
GRDUS83NYMD	GRDUTL83NYMD	GRDUR83NYMD	8	3	4000	10-1/8	6-1/2	6-1/2	11-1/2
GRDUS103NYMD	GRDUTL103NYMD	GRDUR103NYMD	10	3	4000	11-1/2	7-3/4	7-3/4	12-3/4
GRDUS123NYMD	GRDUTL123NYMD	GRDUR123NYMD	12	3	4000	13-1/2	9-1/4	9-1/4	14-1/4

NY/MC WHEELS

NYLACRON™ WHITE WHEELS

- Precision Machined from Cast Polyamide Hardness 112-120 Rockwell R.
- Ultimate choice for Extremely High Load applications to replace metallic wheels.
- Offer very high abrasion resistance and very low rolling resistance under extreme loads.

- Resistant to salt, grease, alcohol and mild acids - can be used in corrosive applications with appropriate bearings.
- Precision Ball Bearings.
- Temperature Range: -40°F to +270°F.



Part Number Swivel Caster	Part Number Swivel with Total Lock	Part Number Rigid Caster	Wheel Diameter (inch)	Tread Width (inch)	Load Capacity (lbs)	Overall Height (inch)	Swivel Radius (inch)	Swivel Radius w/Total Lock (inch)	Swivel Radius w/Wheel Brake (inch)
GRDUS63NYMC	GRDUTL63NYMC	GRDUR63NYMC	6	3	4000	7-1/2	5-1/2	6	10-1/2
GRDUS83NYMC	GRDUTL83NYMC	GRDUR83NYMC	8	3	4000	10-1/8	6-1/2	6-1/2	11-1/2
GRDUS103NYMC	GRDUTL103NYMC	GRDUR103NYMC	10	3	4000	11-1/2	7-3/4	7-3/4	12-3/4
GRDUS123NYMC	GRDUTL123NYMC	GRDUR123NYMC	12	3	4000	13-1/2	9-1/4	9-1/4	14-1/4

SZS WHEELS

ELASTIC POLYURETHANE TREAD WHEELS CAST IRON CORE

- Polyurethane firmly bonded to Precision Machined Cast Iron Core
- 85+ 3 Shore A
- Excellent for power towing applications

- Reduced noise due to cushioning of loads, Lively Polyurethane allows wheels to “Flex and Roll” over debris
- Non-marking and floor protective
- Precision Ball Bearings
- Temperature Range: -40°F to +180°F
- Available in Anti-Static add “AS” after wheel



Part Number Swivel Caster	Part Number Swivel with Total Lock	Part Number Rigid Caster	Wheel Diameter (inch)	Tread Width (inch)	Load Capacity (lbs)	Overall Height (inch)	Swivel Radius (inch)	Swivel Radius w/Total Lock (inch)	Swivel Radius w/Wheel Brake (inch)
GRDU63SSZS	GRDU63SSZSTL	GRDU63RSZS	6	3	1750	8	5-1/8	6	10-1/8
GRDU83SSZS	GRDU83SSZSTL	GRDU83RSZS	8	3	2400	10-1/2	6-1/4	6-1/4	11-1/4
GRDU103SSZS	GRDU103SSZSTL	GRDU103RSZS	10	3	3100	12-1/2	7-3/4	7-3/4	12-3/4
GRDU123SSZS	GRDU123SSZSTL	GRDU123RSZS	12	3	3500	15-1/2	8-3-8	8-3-8	13-3/8

SAS WHEELS

HIGH CAPACITY POLYURETHANE
TREAD WHEELS CAST IRON CORE

- Polyurethane firmly bonded to Precision Machined Cast Iron Core
- 93+ 3 Shore A
- Low rolling resistance, smooth and noiseless running

- Non-marking and floor protective
- High abrasion, cut and tear resistant
- Precision Ball Bearings
- Temperature Range: -40°F to +180°F
- Available in Anti-Static add "AS" after wheel



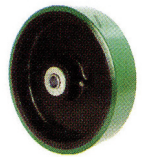
Part Number Swivel Caster	Part Number Swivel with Total Lock	Part Number Rigid Caster	Wheel Diameter (inch)	Tread Width (inch)	Load Capacity (lbs)	Overall Height (inch)	Swivel Radius (inch)	Swivel Radius w/Total Lock (inch)	Swivel Radius w/Wheel Brake (inch)
GRDU63SSAS	GRDU63SSASTL	GRDU63RSAS	6	3	1750	8	5-1/8	6	10-1/8
GRDU83SSAS	GRDU83SSASTL	GRDU83RSAS	8	3	2400	10-1/2	6-1/4	6-1/4	11-1/4
GRDU103SSAS	GRDU103SSASTL	GRDU103RSAS	10	3	3100	12-1/2	7-3/4	7-3/4	12-3/4
GRDU123SSAS	GRDU123SSASTL	GRDU123RSAS	12	3	3500	15-1/2	8-3-8	8-3-8	13-3/8

SJS WHEELS

POLYURETHANE WHEELS

- Polyurethane tread wheels firmly bonded to Precision Machined Cast Iron Core.
- 93 + 3 Shore A.
- Low rolling resistance; Smooth and noiseless running.
- Non-marking and floor protective.

- Good Abrasion and cut resistance.
- Ideal for medium duty applications.
- Precision Ball Bearings.
- Temperature Range: -40°F to +180°F.
- Available in Anti-Static add "AS" after wheel.



Part Number Swivel Caster	Part Number Swivel with Total Lock	Part Number Rigid Caster	Wheel Diameter (inch)	Tread Width (inch)	Load Capacity (lbs)	Overall Height (inch)	Swivel Radius (inch)	Swivel Radius w/Total Lock (inch)	Swivel Radius w/Wheel Brake (inch)
GRDU63SSJS	GRDU63SSJSTL	GRDU63RSJS	6	3	1750	8	5-1/8	6	10-1/8
GRDU83SSJS	GRDU83SSJSTL	GRDU83RSJS	8	3	2400	10-1/2	6-1/4	6-1/4	11-1/4
GRDU103SSJS	GRDU103SSJSTL	GRDU103RSJS	10	3	3100	12-1/2	7-3/4	7-3/4	12-3/4
GRDU123SSJS	GRDU123SSJSTL	GRDU123RSJS	12	3	3500	15-1/2	8-3-8	8-3-8	13-3/8

ME WHEELS

ERGONOMIC POLYURETHANE
DONUT TREAD WHEELS CAST IRON CORE

- For Low Push-Pull Efforts.
- Polyurethane firmly bonded to Precision Machined Cast Iron Core.
- Red Tread 93+ 3 Shore A.
- Non-marking and floor protective.

- Tread Options:
Softer 80A - Yellow Tread (specify ME-Z)
Harder 73D - Blue Tread (specify ME-F).
- Precision Ball Bearings.
- Temperature Range: -40°F to +180°F.
- Available in Anti-Static add "AS" after wheel.



Part Number Swivel Caster	Part Number Swivel with Total Lock	Part Number Rigid Caster	Wheel Diameter (inch)	Tread Width (inch)	Load Capacity (lbs)	Overall Height (inch)	Swivel Radius (inch)	Swivel Radius w/Total Lock (inch)	Swivel Radius w/Wheel Brake (inch)
GRDU63SME	GRDU63SMETL	GRDU63RME	6	3	1750	8	5-1/8	6	10-1/8
GRDU83SME	GRDU83SMETL	GRDU83RME	8	3	2400	10-1/2	6-1/4	6-1/4	11-1/4
GRDU103SME	GRDU103SMETL	GRDU103RME	10	3	3100	12-1/2	7-3/4	7-3/4	12-3/4
GRDU123SME	GRDU123SMETL	GRDU123RME	12	3	3500	15-1/2	8-3-8	8-3-8	13-3/8

VX WHEELS

VULKOLLAN™ THICK TREAD WHEELS

Highest Quality Polyurethane
in the World

Extremely Durable

High Load Capacity

Ergonomic - Easy to Roll

High Abrasion Resistance

FEATURES

- Thickness: 1" thick polyurethane
- Wheel Face: Flat
- Finish: Orange/Brown tread on cast iron core
- Hardness: 95 Shore A
- Temperature Range: -40°F to +180°F



WHEEL OPTIONS

- Select bearing featured are recommended for standard applications. For special applications or alternate bearings consult Acorn.

Part Number Swivel Caster	Part Number Rigid Caster	Wheel Diameter (inch)	Tread Width (inch)	Load Capacity (lbs)	Overall Height (inch)	Swivel Radius (inch)	Swivel Radius w/Total Lock (inch)	Swivel Radius w/Wheel Brake (inch)
GRDU63SVX	GRDU63RVX	6	3	3000	7-1/2	5-1/2	6	10-1/8
GRDU83SVX	GRDU83RVX	8	3	4000	10-1/8	6-1/2	6-1/4	11-1/4
GRDU103SVX	GRDU103RVX	10	3	5000	11-1/2	7-3/4	7-3/4	12-3/4