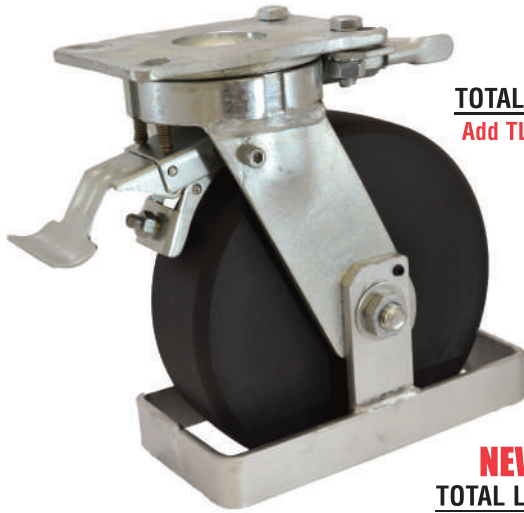


Caster Type	Page
GRDU Total Lock Kingpinless Series Casters.....	113-116
310 Kingpinless Casters.....	117-120
S310 Spring Loaded Casters.....	121-122
S330 Premium Stainless Steel Kingpinless Casters.....	123-124
415 Kingpinless Dual Wheel Casters.....	125-126

Applications:
*Institutional, Machinery, Automotive,
 & Heavy Duty Equipment*

ALL WHEELS ARE AVAILABLE WITH
 PRECISION BALL BEARING, CENTERPIECE & END CAPS
 FOR MANUAL OR TOWING TO FIT IN 3-1/2" HUB LENGTH RIGS.
 See Wheel Section for complete selection.



**LEADING SIDE
TOTAL LOCK SWIVEL CASTER**
Add TL to swivel caster number

Available Toe Guard
TO

**NEW TRAILING SIDE
TOTAL LOCK SWIVEL CASTER**
No need to move cots back and forth
for finding the brake pedal.
Add TLN to swivel caster number



Swivel Head Section



Total Lock System



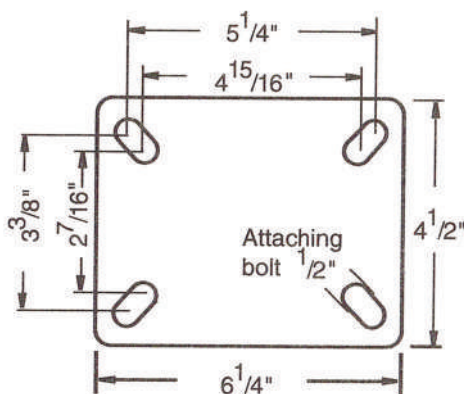
Wheel Face Brake



Directional Lock

4,000 LBS. LOAD CAPACITY FORGED KINGPINLESS TYPE CASTERS

- Single piece Drop Forged AISI 1045 Steel Top Plate and Fork Base.
- Precision CNC Machined Raceways with 3" diameter with 1/2" ball bearings.
- Induction Hardening of Raceways ensures uniform depth of hardness.
- Totally Sealed Swivel Head with Grease Nipple.
- 5/16" Thick Fork Legs Robotically welded Inside & Outside to 3 1/2" fork spacing.
- 3/4" Wheel axle.
- 4 Position Directional Lock Slots.
- Finish: Bright Zinc Plated.



TOP PLATE
4-1/2 X 6-1/4

BOLT HOLE CENTER
3-3/8 X 5-1/4
SLOTTED TO
2-7/16 X 4-15/16

ATTACHING BOLT SIZE
1/2

RIG OPTIONS
DL: 4-WAY DIRECTIONAL LOCK

WFB: WHEEL FACE BRAKE
ADD TO SUFFIX
OF THE CASTER PART NUMBER

TOE GUARDS
SPECIFY "TO"
WITH CASTER NUMBER

NY/MD WHEELS

NYLACRON™ WHEELS

- Precision Machined from Cast Polyamide Hardness 112-120 Rockwell R.
- Ultimate choice for Extremely High Load applications to replace metallic wheels.
- Offer very high abrasion resistance and very low rolling resistance under extreme loads.

- Resistant to salt, grease, alcohol and mild acids - can be used in corrosive applications with appropriate bearings.
- Precision Ball Bearings.
- Temperature Range: -40°F to +270°F.



Part Number Swivel Caster	Part Number Swivel with Total Lock	Part Number Rigid Caster	Wheel Diameter (inch)	Tread Width (inch)	Load Capacity (lbs)	Overall Height (inch)	Swivel Radius (inch)	Swivel Radius w/Total Lock (inch)	Swivel Radius w/Wheel Brake (inch)
GRDUS63NYMD	GRDUTL63NYMD	GRDUR63NYMD	6	3	4000	7-1/2	5-1/2	6	10-1/2
GRDUS83NYMD	GRDUTL83NYMD	GRDUR83NYMD	8	3	4000	10-1/8	6-1/2	6-1/2	11-1/2
GRDUS103NYMD	GRDUTL103NYMD	GRDUR103NYMD	10	3	4000	11-1/2	7-3/4	7-3/4	12-3/4
GRDUS123NYMD	GRDUTL123NYMD	GRDUR123NYMD	12	3	4000	13-1/2	9-1/4	9-1/4	14-1/4

NY/MC WHEELS

NYLACRON™ WHITE WHEELS

- Precision Machined from Cast Polyamide Hardness 112-120 Rockwell R.
- Ultimate choice for Extremely High Load applications to replace metallic wheels.
- Offer very high abrasion resistance and very low rolling resistance under extreme loads.

- Resistant to salt, grease, alcohol and mild acids - can be used in corrosive applications with appropriate bearings.
- Precision Ball Bearings.
- Temperature Range: -40°F to +270°F.



Part Number Swivel Caster	Part Number Swivel with Total Lock	Part Number Rigid Caster	Wheel Diameter (inch)	Tread Width (inch)	Load Capacity (lbs)	Overall Height (inch)	Swivel Radius (inch)	Swivel Radius w/Total Lock (inch)	Swivel Radius w/Wheel Brake (inch)
GRDUS63NYMC	GRDUTL63NYMC	GRDUR63NYMC	6	3	4000	7-1/2	5-1/2	6	10-1/2
GRDUS83NYMC	GRDUTL83NYMC	GRDUR83NYMC	8	3	4000	10-1/8	6-1/2	6-1/2	11-1/2
GRDUS103NYMC	GRDUTL103NYMC	GRDUR103NYMC	10	3	4000	11-1/2	7-3/4	7-3/4	12-3/4
GRDUS123NYMC	GRDUTL123NYMC	GRDUR123NYMC	12	3	4000	13-1/2	9-1/4	9-1/4	14-1/4

SZS WHEELS

ELASTIC POLYURETHANE TREAD WHEELS CAST IRON CORE

- Polyurethane firmly bonded to Precision Machined Cast Iron Core
- 85+ 3 Shore A
- Excellent for power towing applications

- Reduced noise due to cushioning of loads, Lively Polyurethane allows wheels to “Flex and Roll” over debris
- Non-marking and floor protective
- Precision Ball Bearings
- Temperature Range: -40°F to +180°F
- Available in Anti-Static add “AS” after wheel



Part Number Swivel Caster	Part Number Swivel with Total Lock	Part Number Rigid Caster	Wheel Diameter (inch)	Tread Width (inch)	Load Capacity (lbs)	Overall Height (inch)	Swivel Radius (inch)	Swivel Radius w/Total Lock (inch)	Swivel Radius w/Wheel Brake (inch)
GRDU63SSZS	GRDU63SSZSTL	GRDU63RSZS	6	3	1750	8	5-1/8	6	10-1/8
GRDU83SSZS	GRDU83SSZSTL	GRDU83RSZS	8	3	2400	10-1/2	6-1/4	6-1/4	11-1/4
GRDU103SSZS	GRDU103SSZSTL	GRDU103RSZS	10	3	3100	12-1/2	7-3/4	7-3/4	12-3/4
GRDU123SSZS	GRDU123SSZSTL	GRDU123RSZS	12	3	3500	15-1/2	8-3-8	8-3-8	13-3/8

SAS WHEELS

HIGH CAPACITY POLYURETHANE
TREAD WHEELS CAST IRON CORE

- Polyurethane firmly bonded to Precision Machined Cast Iron Core
- 93+ 3 Shore A
- Low rolling resistance, smooth and noiseless running

- Non-marking and floor protective
- High abrasion, cut and tear resistant
- Precision Ball Bearings
- Temperature Range: -40°F to +180°F
- Available in Anti-Static add "AS" after wheel



Part Number Swivel Caster	Part Number Swivel with Total Lock	Part Number Rigid Caster	Wheel Diameter (inch)	Tread Width (inch)	Load Capacity (lbs)	Overall Height (inch)	Swivel Radius (inch)	Swivel Radius w/Total Lock (inch)	Swivel Radius w/Wheel Brake (inch)
GRDU63SSAS	GRDU63SSASTL	GRDU63RSAS	6	3	1750	8	5-1/8	6	10-1/8
GRDU83SSAS	GRDU83SSASTL	GRDU83RSAS	8	3	2400	10-1/2	6-1/4	6-1/4	11-1/4
GRDU103SSAS	GRDU103SSASTL	GRDU103RSAS	10	3	3100	12-1/2	7-3/4	7-3/4	12-3/4
GRDU123SSAS	GRDU123SSASTL	GRDU123RSAS	12	3	3500	15-1/2	8-3-8	8-3-8	13-3/8

SJS WHEELS

POLYURETHANE WHEELS

- Polyurethane tread wheels firmly bonded to Precision Machined Cast Iron Core.
- 93 + 3 Shore A.
- Low rolling resistance; Smooth and noiseless running.
- Non-marking and floor protective.

- Good Abrasion and cut resistance.
- Ideal for medium duty applications.
- Precision Ball Bearings.
- Temperature Range: -40°F to +180°F.
- Available in Anti-Static add "AS" after wheel.



Part Number Swivel Caster	Part Number Swivel with Total Lock	Part Number Rigid Caster	Wheel Diameter (inch)	Tread Width (inch)	Load Capacity (lbs)	Overall Height (inch)	Swivel Radius (inch)	Swivel Radius w/Total Lock (inch)	Swivel Radius w/Wheel Brake (inch)
GRDU63SSJS	GRDU63SSJSTL	GRDU63RSJS	6	3	1750	8	5-1/8	6	10-1/8
GRDU83SSJS	GRDU83SSJSTL	GRDU83RSJS	8	3	2400	10-1/2	6-1/4	6-1/4	11-1/4
GRDU103SSJS	GRDU103SSJSTL	GRDU103RSJS	10	3	3100	12-1/2	7-3/4	7-3/4	12-3/4
GRDU123SSJS	GRDU123SSJSTL	GRDU123RSJS	12	3	3500	15-1/2	8-3-8	8-3-8	13-3/8

ME WHEELS

ERGONOMIC POLYURETHANE
DONUT TREAD WHEELS CAST IRON CORE

- For Low Push-Pull Efforts.
- Polyurethane firmly bonded to Precision Machined Cast Iron Core.
- Red Tread 93+ 3 Shore A.
- Non-marking and floor protective.

- Tread Options:
Softer 80A - Yellow Tread (specify ME-Z)
Harder 73D - Blue Tread (specify ME-F).
- Precision Ball Bearings.
- Temperature Range: -40°F to +180°F.
- Available in Anti-Static add "AS" after wheel.



Part Number Swivel Caster	Part Number Swivel with Total Lock	Part Number Rigid Caster	Wheel Diameter (inch)	Tread Width (inch)	Load Capacity (lbs)	Overall Height (inch)	Swivel Radius (inch)	Swivel Radius w/Total Lock (inch)	Swivel Radius w/Wheel Brake (inch)
GRDU63SME	GRDU63SMETL	GRDU63RME	6	3	1750	8	5-1/8	6	10-1/8
GRDU83SME	GRDU83SMETL	GRDU83RME	8	3	2400	10-1/2	6-1/4	6-1/4	11-1/4
GRDU103SME	GRDU103SMETL	GRDU103RME	10	3	3100	12-1/2	7-3/4	7-3/4	12-3/4
GRDU123SME	GRDU123SMETL	GRDU123RME	12	3	3500	15-1/2	8-3-8	8-3-8	13-3/8

VX WHEELS

VULKOLLAN™ THICK TREAD WHEELS

Highest Quality Polyurethane
in the World

Extremely Durable

High Load Capacity

Ergonomic - Easy to Roll

High Abrasion Resistance

FEATURES

- Thickness: 1" thick polyurethane
- Wheel Face: Flat
- Finish: Orange/Brown tread on cast iron core
- Hardness: 95 Shore A
- Temperature Range: -40°F to +180°F



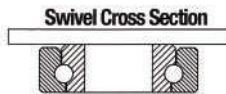
WHEEL OPTIONS

- Select bearing featured are recommended for standard applications. For special applications or alternate bearings consult Acorn.

Part Number Swivel Caster	Part Number Rigid Caster	Wheel Diameter (inch)	Tread Width (inch)	Load Capacity (lbs)	Overall Height (inch)	Swivel Radius (inch)	Swivel Radius w/Total Lock (inch)	Swivel Radius w/Wheel Brake (inch)
GRDU63SVX	GRDU63RVX	6	3	3000	7-1/2	5-1/2	6	10-1/8
GRDU83SVX	GRDU83RVX	8	3	4000	10-1/8	6-1/2	6-1/4	11-1/4
GRDU103SVX	GRDU103RVX	10	3	5000	11-1/2	7-3/4	7-3/4	12-3/4

6 310 KINGPINLESS CASTERS

4,100 LBS. LOAD CAPACITY KINGPINLESS TYPE CASTERS



- **Top Plate:** 5/16" AISI 1045 heat treated steel welded inside and out for longer life.
- **Swivel Section:** One row of 1/2" ball bearings mounted in a heat treated precision machined raceway. Zerk in swivel section.
- **Yoke Base:** Notched AISI 1045 steel.
- **Legs:** 3/8" thick welded inside and out.
- **Axle:** 3/4" diameter.
- **Finish:** RoHS Zinc plating, for greater corrosion resistance than paint.



**TOE GUARDS
AVAILABLE WITH
ALL CASTERS.**

MOUNTING PLATE OPTIONS

TOP PLATE: (STANDARD)

- Plate Size:** 4-1/2" x 6-1/4"
- Bolt Holes:** 2-7/16" x 4-15/16"
slotted to
3-3/8" x 5-1/4"
- Bolt Size:** 1/2"

Nylacron™ Wheels

With Precision Ball Bearings for Any Application

Nylacron™ wheels with proper sized precision bearings are made to fit in any rig hub length and axle size. Nylacron™ wheels have greater load capacity ratings with better rollability while requiring less maintenance and have a longer life.

**SEE NYLACRON™ WHEEL SECTION
FOR CUSTOM SIZES & SHAPES.**

BRAKES OPTIONS



Poly Cam
specify **P**



PLB Integrated
specify **PLB**



Single Sided specify **SSB310**
Double Sided specify **DSB310**



Face Contact
specify **FBB**



**Hand Operated
Swivel Lock**
specify **SL3000000**

TYPICAL APPLICATIONS

- Conveyor-drawn tow-trucks
- Heavy duty bakery racks
- Production dollies
- Heavy duty dough troughs

WHEEL BEARING OPTIONS

Straight Roller **(01)**

Tapered Roller **(09)**

Precision Ball **(28)**

6 310 KINGPINLESS CASTERS

NY/MD WHEELS

NYLACRON™ WHEELS

- Precision Machined from Cast Polyamide Hardness 112-120 Rockwell R.
- Ultimate choice for Extremely High Load applications to replace metallic wheels.
- Offer very high abrasion resistance and very low rolling resistance under extreme loads.

- Resistant to salt, grease, alcohol and mild acids - can be used in corrosive applications with appropriate bearings.
- Precision Ball Bearings.
- Temperature Range: -40°F to +270°F.



Part Number Swivel Caster	Part Number Rigid Caster	Wheel Diameter (inch)	Tread Width (inch)	Load Capacity (lbs)	Overall Height (inch)	Swivel Radius (inch)	Swivel Radius w/Total Lock (inch)	Swivel Radius w/Wheel Brake (inch)
310S63NYMD	310R63NYMD	6	3	4100	7-1/2	5-1/2	6	10-1/2
310S83NYMD	310R83NYMD	8	3	4100	10-1/8	6-1/2	6-1/2	11-1/2
310S103NYMD	310R103NYMD	10	3	4100	11-1/2	7-3/4	7-3/4	12-3/4
310S123NYMD	310R123NYMD	12	3	4100	13-1/2	9-1/4"	9-1/4	14-1/4

NY/MC WHEELS

NYLACRON™ WHITE WHEELS

- Precision Machined from Cast Polyamide Hardness 112-120 Rockwell R.
- Ultimate choice for Extremely High Load applications to replace metallic wheels.
- Offer very high abrasion resistance and very low rolling resistance under extreme loads.

- Resistant to salt, grease, alcohol and mild acids - can be used in corrosive applications with appropriate bearings.
- Precision Ball Bearings.
- Temperature Range: -40°F to +270°F.



Part Number Swivel Caster	Part Number Rigid Caster	Wheel Diameter (inch)	Tread Width (inch)	Load Capacity (lbs)	Overall Height (inch)	Swivel Radius (inch)	Swivel Radius w/Total Lock (inch)	Swivel Radius w/Wheel Brake (inch)
310S63NYMC	310R63NYMC	6	3	4100	7-1/2	5-1/2	6	10-1/2
310S83NYMC	310R83NYMC	8	3	4100	10-1/8	6-1/2	6-1/2	11-1/2
310S103NYMC	310R103NYMC	10	3	4100	11-1/2	7-3/4	7-3/4	12-3/4
310S123NYMC	310R123NYMC	12	3	4100	13-1/2	9-1/4	9-1/4	14-1/4

DF WHEELS

DROP FORGED STEEL WHEELS

- AISI 1045 steel with machined tread faces.
- Virtually indestructible and easy to maneuver.
- High abrasion and oil resistant.

- Can be use in the roughest of applications on the poorest of floors.
- Precision Ball Bearings.
- Temperature Range: -150°F to +800°F.



Part Number Swivel Caster	Part Number Rigid Caster	Wheel Diameter (inch)	Tread Width (inch)	Load Capacity (lbs)	Overall Height (inch)	Swivel Radius (inch)	Swivel Radius w/Total Lock (inch)	Swivel Radius w/Wheel Brake (inch)
310S63DF	310R63DF	6	3	4000	7-1/2	5-1/2	6	10-1/2
310S83DF	310R83DF	8	3	4000	10-1/8	6-1/2	6-1/2	11-1/2
310S103DF	310R103DF	10	3	4000	11-1/2	7-3/4	7-3/4	12-3/4
310S123DF	310R123DF	12	3	4000	13-1/2	9-1/4"	9-1/4	14-1/4

SJS WHEELS

POLYURETHANE WHEELS

- Polyurethane tread wheels firmly bonded to Precision Machined Cast Iron Core.
- 93 + 3 Shore A.
- Low rolling resistance; Smooth and noiseless running.
- Non-marking and floor protective.

- Good Abrasion and cut resistance.
- Ideal for medium duty applications.
- Precision Ball Bearings.
- Temperature Range: -40°F to +180°F.
- Available in Anti-Static add "AS" after wheel.

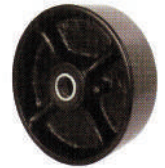


Part Number Swivel Caster	Part Number Rigid Caster	Wheel Diameter (inch)	Tread Width (inch)	Load Capacity (lbs)	Overall Height (inch)	Swivel Radius (inch)	Swivel Radius w/Total Lock (inch)	Swivel Radius w/Wheel Brake (inch)
310S63SJS	310R63SJS	6	3	2100	7-1/2	5-1/2	6	10-1/2
310S83SJS	310R83SJS	8	3	2500	10-1/8	6-1/2	6-1/2	11-1/2
310S103SJS	310R103SJS	10	3	3000	11-1/2	7-3/4	7-3/4	12-3/4
310S123SJS	310R123SJS	12	3	3500	13-1/2	9-1/4	9-1/4	14-1/4

MDW WHEELS

DUCTILE CAST STEEL WHEELS

- Machined tread face.
- Crown tread Face makes maneuverability easy.
- Higher Load Capacities compared to Cast Iron Wheels.
- Suitable for extra heavy loads towed in punishing conditions.
- High abrasion and oil resistance.
- Precision Ball Bearings.
- Temperature Range: 800°F.



Part Number Swivel Caster	Part Number Rigid Caster	Wheel Diameter (inch)	Tread Width (inch)	Load Capacity (lbs)	Overall Height (inch)	Swivel Radius (inch)	Swivel Radius w/Total Lock (inch)	Swivel Radius w/Wheel Brake (inch)
310S63MDW	310R63MDW	6	3	3300	7-1/2	5-1/2	6	10-1/2
310S83MDW	310R83MDW	8	3	4000	10-1/8	6-1/2	6-1/2	11-1/2
310S103MDW	310R103MDW	10	3	4000	11-1/2	7-3/4	7-3/4	12-3/4
310S123MDW	310R123MDW	12	3	4000	13-1/2	9-1/4"	9-1/4	14-1/4

ME WHEELS

ERGONOMIC POLYURETHANE DONUT TREAD WHEELS CAST IRON CORE

- For Low Push-Pull Efforts.
- Polyurethane firmly bonded to Precision Machined Cast Iron Core.
- Red Tread 93+ 3 Shore A.
- Non-marking and floor protective.

- Tread Options:
Softer 80A - Yellow Tread (specify ME-Z)
Harder 73D - Blue Tread (specify ME-F).
- Precision Ball Bearings.
- Temperature Range: -40°F to +180°F.
- Available in Anti-Static add "AS" after wheel.



Part Number Swivel Caster	Part Number Rigid Caster	Wheel Diameter (inch)	Tread Width (inch)	Load Capacity (lbs)	Overall Height (inch)	Swivel Radius (inch)	Swivel Radius w/Total Lock (inch)	Swivel Radius w/Wheel Brake (inch)
310S63ME	310R63ME	6	3	2300	7-1/2	5-1/2	6	10-1/2
310S83ME	310R83ME	8	3	3100	10-1/8	6-1/2	6-1/2	11-1/2
310S103ME	310R103ME	10	3	4000	11-1/2	7-3/4	7-3/4	12-3/4
310S123ME	310R123ME	12	3	4000	13-1/2	9-1/4	9-1/4	14-1/4

6 310 KINGPINLESS CASTERS

DROP FORGED STEEL WHEELS 09 PRECISION TAPERED BEARING FS

Part Number Swivel Caster	Part Number Rigid Caster	Wheel Diameter (inch)	Tread Width (inch)	Load Capacity (lbs)	Overall Height (inch)	Swivel Lead (inch)
310S63FS	310R63FS	6	3	4000	7-1/2	1-3/8
310S83FS	310R83FS	8	3	4100	10-1/8	2-1/16
310S103FS	310R103FS	10	3	4100	11-1/2	2-1/4



SWIVEL-EAZ™ ROUND TREAD 95A 28 PRECISION BALL BEARING SWE95 ADD SUFFIX FT FOR FLAT TREAD

Part Number Swivel Caster	Part Number Rigid Caster	Wheel Diameter (inch)	Tread Width (inch)	Load Capacity (lbs)	Overall Height (inch)	Swivel Lead (inch)
310S63SWE95	310R63SWE95	6	3	1100	7-1/2	1-3/8
310S83SWE95	310R83SWE95	8	3	2400	10-1/8	2-1/16
310S103SWE95	310R103SWE95	10	3	3800	11-1/2	2-1/4



POLYURETHANE ON CAST IRON 28 PRECISION BALL BEARING PF

Part Number Swivel Caster	Part Number Rigid Caster	Wheel Diameter (inch)	Tread Width (inch)	Load Capacity (lbs)	Overall Height (inch)	Swivel Lead (inch)
310S63PF	310R63PF	6	3	3000	7-1/2	1-3/8
310S83PF	310R83PF	8	3	4000	10-1/8	2-1/16
310S103PF	310R103PF	10	3	4100	11-1/2	2-1/4
310S123PF	310R123PF	12	3	4100	13-1/2	2-11/16



POLYURETHANE ON CAST IRON 28 PRECISION BALL BEARING PY95A

Part Number Swivel Caster	Part Number Rigid Caster	Wheel Diameter (inch)	Tread Width (inch)	Load Capacity (lbs)	Overall Height (inch)	Swivel Lead (inch)
310S63PY	310R63PY	6	3	2040	7-1/2	1-3/8
310S83PY	310R83PY	8	3	2520	10-1/8	2-1/16
310S103PY	310R103PY	10	3	3000	11-1/2	2-1/4
310S123PY	310R123PY	12	3	3420	13-1/2	2-11/16



VX WHEELS

VULKOLLAN™ THICK TREAD WHEELS

Highest Quality Polyurethane in the World
Extremely Durable
High Load Capacity
Ergonomic - Easy to Roll
High Abrasion Resistance

FEATURES

- Thickness: 1" thick polyurethane
- Wheel Face: Flat
- Finish: Orange/Brown tread on cast iron core
- Hardness: 95 Shore A
- Temperature Range: -40°F to +180°F

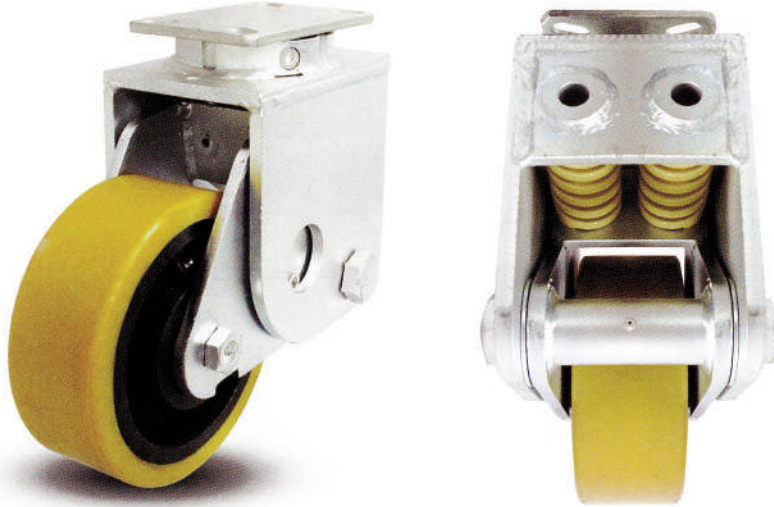
WHEEL OPTIONS

- Select bearing featured are recommended for standard applications. For special applications or alternate bearings consult Acorn.



Part Number Precision Ball	Wheel Diameter (inch)	Tread Width (inch)	Load Capacity (lbs)	Overall Height (inch)	Swivel Radius (inch)	Swivel Radius w/Total Lock (inch)	Swivel Radius w/Wheel Brake (inch)
310VX0522808	6	3	3000	8	5-1/8	6	10-1/8
310VX0622808	8	3	4000	10-1/2	6-1/4	6-1/4	11-1/4
310VX0822808	10	3	5000	12-1/2	7-3/4	7-3/4	12-3/4

MEGALOAD™ AND VULKOLLAN™ WHEELS WITH PRECISION BALL BEARINGS AVAILABLE TO FIT THIS CASTER SERIES.
 SIZES 6 X 3, 8 X 3, 10 X 3 & 12 X 3.



3,000 LBS. LOAD CAPACITY KINGPINLESS TYPE CASTERS

- **Load Springs:** Different load springs for each series permits wide variation in ride "softness".
- **Complete Line:** Available on all Kingpinless models.
- **Swivel Section:** Kingpinless design. Ball bearing mounted in a machined raceway.
- **Axle:** 3/4" diameter standard. Optional 1" diameter available.
- Alternate or custom caster configurations available.

MOUNTING PLATE OPTIONS

TOP PLATE: (STANDARD)

Plate Size: 4-1/2" x 6-1/4"

Bolt Holes: 2-7/16" x 4-15/16"
slotted to
3-3/8" x 5-1/4"

Bolt Size: 1/2"

Our newly designed spring loaded casters offer greater capacity and protection from damaging shock or unwanted vibration and movement. Noise levels are reduced through the dampening effect of these casters.

We offer many custom spring loaded solutions for the automotive and aviation industry.

TYPICAL APPLICATIONS

- Aviation ground support
- Aircraft tripod jacks
- Portable medical equipment
- Computer equipment
- Shock sensitive loads

NYLACRON™ WHEELS
PRECISION BALL BEARINGS
NY/MD

Part Number Swivel Caster	Part Number Rigid Caster	Wheel Diameter (inch)	Tread Width (inch)	Load Capacity (lbs)	Overall Height (inch)	Swivel Lead (inch)
S310S63NYMD	S310R63NYMD	6	3	3000	7-1/2	1-3/8
S310S83NYMD	S310R83NYMD	8	3	3000	10-1/8	2-1/16
S310S103NYMD	S310R103NYMD	10	3	3000	11-1/2	2-1/4
S310S123NYMD	S310R123NYMD	12	3	3000	13-1/2	2-11/16



POLYURETHANE TREAD ON CAST IRON
PRECISION BALL BEARINGS
PF

Part Number Swivel Caster	Part Number Rigid Caster	Wheel Diameter (inch)	Tread Width (inch)	Load Capacity (lbs)	Overall Height (inch)	Swivel Lead (inch)
S310S63PF	S310R63PF	6	3	3000	7-1/2	1-3/8
S310S83PF	S310R83PF	8	3	3000	10-1/8	2-1/16
S310S103PF	S310R103PF	10	3	3000	11-1/2	2-1/4
S310S123PF	S310R123PF	12	3	3000	13-1/2	2-11/16



SWIVEL-EAZ™ 95A CROWN TREAD
PRECISION BALL BEARINGS
SWE/CT

FOR FLAT TREAD
 SUFFIX FT

Part Number Swivel Caster	Part Number Rigid Caster	Wheel Diameter (inch)	Tread Width (inch)	Load Capacity (lbs)	Overall Height (inch)	Swivel Lead (inch)
S310S63SWECT95	S310R63SWECT95	6	3	1100	7-1/2	1-3/8
S310S83SWECT95	S310R83SWECT95	8	3	2400	10-1/8	2-1/16
S310S103SWECT95	S310R103SWECT95	10	3	3000	11-1/2	2-1/4

• Crown tread also available in
 70A, 80A, 60D & 75D durometer

• See wheel section





3,000 LBS. LOAD CAPACITY STAINLESS STEEL KINGPINLESS TYPE CASTERS

- **Top Plate:** 5/16" 304 stainless steel welded inside and out to 316 stainless steel raceway for longer life.
- **Swivel Section:** One row of 1/2" ball bearings mounted in a precision machined raceway. Zerk in swivel section.
- **Yoke Base:** Notched 316 stainless steel.
- **Legs:** 304 stainless steel welded inside and outs.
- **Axle:** 3/4" diameter.
- Alternate or custom caster configurations available.

BRAKES OPTIONS



Poly Cam
specify **P**



Single Sided specify **SSB310**
Double Sided specify **DSB310**



Face Contact
specify **FBB**



Hand Operated Swivel Lock
specify **SL3000000**



TOE GUARDS AVAILABLE WITH ALL CASTERS.

Designed from premium grade 304 stainless steel caster rig with a strong premium 316 stainless swivel section. Excellent finish to protect caster from cleaning agents, steam, caustic solutions, or other corrosive agents which can cause rust.

TYPICAL APPLICATIONS

- Conveyor-drawn tow-trucks
- Heavy duty bakery racks
- Production dollies
- Heavy duty dough troughs

MOUNTING PLATE OPTIONS

TOP PLATE: (STANDARD)

Plate Size: 4-1/2 X 6-1/4
Bolt Holes: 2-7/16 x 4-15/16
slotted to
3-3/8 x 5-1/4
Bolt Size: 1/2

TOP PLATE: D

Plate Size: 5 x 5-1/2
Bolt Holes: 4-1/8 x 4-1/2
Bolt Size: 3/8

BEARING OPTIONS

Straight Roller **(01)**
Precision Ball **(28)**

*Add options to end of part number.

**NYLACRON™
CAST NYLON
28 PRECISION BEARING
NY/MD**

FOR MONOCAST
MC/MD

Part Number Swivel Caster	Part Number Rigid Caster	Wheel Diameter (inch)	Tread Width (inch)	Load Capacity (lbs)	Overall Height (inch)	Swivel Lead (inch)
330SS63NYMD	330SR63NYMD	6	3	3000	7-1/2	1-3/8
330SS83NYMD	330SR83NYMD	8	3	3000	10-1/8	2-1/16
330SS103NYMD	330SR103NYMD	10	3	3000	11-1/2	2-1/4
330SS123NYMD	330SR123NYMD	12	3	3000	13-1/2	2-11/16



**X-TREME
PLUS SOLID POLYURETHANE
28 PRECISION BEARING
XP**

• Prevenz™ antimicrobial models available

• Add PREV to end of caster number

Part Number Swivel Caster	Part Number Rigid Caster	Wheel Diameter (inch)	Tread Width (inch)	Load Capacity (lbs)	Overall Height (inch)	Swivel Lead (inch)
330SS83XP	330SR83XP	8	3	2000	10-1/8	2-1/16
330SS103XP	330SR103XP	10	3	2500	11-1/2	2-1/4



**PHENOLIC
01 ROLLER BEARING
TM**

• Prevenz™ antimicrobial models available

• Add PREV to end of caster number

• Tapered Roller 09 Bearings available

• Change "01" to "09"
Example: 6KSS63TM09

Part Number Swivel Caster	Part Number Rigid Caster	Wheel Diameter (inch)	Tread Width (inch)	Load Capacity (lbs)	Overall Height (inch)	Swivel Lead (inch)
330SS63TM	330SR63TM	6	3	2000	7-1/2	1-3/8
330SS83TM	330SR83TM	8	3	2500	10-1/8	2-1/16
330SS103TM	330SR103TM	10	3	2900	11-1/2	2-1/4
330SS123TM	330SR123TM	12	3	3000	13-1/2	2-11/16



MEGALOAD™ AND VULKOLLAN™ WHEELS WITH PRECISION BALL BEARINGS AVAILABLE TO FIT THIS CASTER SERIES.
SIZES 6 X 3, 8 X 3, 10 X 3 & 12 X 3.



APPLICATIONS

AGV Vehicles

Tool Carts

Ground Support Equipment

Storage Racks

Low Profile Carts

Platforms

Custom Material Handling

Towable Transportation Equipment

Workstations/Packaging

5,400 LBS. LOAD CAPACITY KINGPINLESS TYPE CASTERS

- **Raceway Design:** Patented Kingpinless single ball bearing precision machined raceway hardened to 53 Rockwell C minimum. Swivel section features a 3" diameter raceway with 1/2" ball bearings. The notched yoke is standard.
- **Finish:** Bright Zinc Plated.
- **Yoke Base:** Notched 316 stainless steel.
- **Legs:** 5/16" formed steel. Center leg support is added for increased strength.
- **Wheels:** All wheels are 2" wide with 3/4" I.D. roller bearings that are prelubricated and rotate on individual spanner bushings or annular ball bearings for ease of rollability.
- **Axle:** 1/2" bolt, locking nut and lubrication fittings.
- Alternate or custom caster configurations available.

MOUNTING PLATE OPTIONS

TOP PLATE: (STANDARD)

Plate Size: 5-1/4" x 7-1/4"

Bolt Holes: 6-1/8" x 4-1/8"
slotted to
5-1/4" x 3-3/8"

Bolt Size: 1/2"

RIG OPTIONS

- PLB** Integrated Brake
L Hand Operated Swivel Lock
TOE Toe Guard available

To order a rigid caster, change the "S" to "R" in the model number. Dimensions shown are nominal. If precise dimensions are required, consult Acorn™. For approximate weight of our rigid casters, deduct 3.9 pounds.

BEARING OPTIONS

- Straight Roller **(01)**
 Tapered Roller **(09)**
 Precision Ball **(28)**

For swivel models add "S", for rigid model add "R" to end of base caster number.

Wheel Type (Wheel Code)	Diameter (inch)	Width (inch)	Capacity (lbs.)	OAH (inch)	Swivel Lead (inch)	Part Number w/Precision Ball Bearings
Phenolic	6	3	4000	8	2.25	415TM06328
Polyurethane/Iron (Green)	6	3	4080	8	2.25	415PY06328
Cast Iron	6	3	5400	8	2.25	415CA06328
Nylacron™	6	3	5400	8	2.25	415NY06328
Vulkollan™	6	3	5400	8	2.25	415VY06328
Phenolic	8	3	5000	10-1/2	2.75	415TM08328
Polyurethane/Iron (Green)	8	3	5040	10-1/2	2.75	415PY08328
Cast Iron	8	3	5400	10-1/2	2.75	415CA08328
Nylacron™	8	3	5400	10-1/2	2.75	415NY08328
Vulkollan™	8	3	5400	10-1/2	2.75	415VY08328
Phenolic	10	3	5400	12-1/2	3.38	415TM10328
Polyurethane/Iron (Green)	10	3	5400	12-1/2	3.38	415PY10328
Cast Iron	10	3	5400	12-1/2	3.38	415CA10328
Nylacron™	10	3	5400	12-1/2	3.38	415NY10328
Vulkollan™	10	3	5400	12-1/2	3.38	415VY10328
Phenolic	12	3	5400	15-1/2	4.13	415TM12528
Polyurethane/Iron (Green)	12	3	5400	15-1/2	4.13	415PY12528
Cast Iron	12	3	5400	15-1/2	4.13	415CA12528
Nylacron™	12	3	5400	15-1/2	4.13	415NY12528
Vulkollan™	12	3	5400	15-1/2	4.13	415VY12528

*Precision Ball Bearing Wheels are Standard, "P" for Precision Bearing, "PL" for Plain Bearing, "R" for Roller Bearing or "T" for Tapered Bearing

Dimensions shown are nominal. If precise dimensions are required, consult Acorn™. Additional wheels available.