

Caster Type	Page #
GHKU Series Kingpinless Casters	66-69
GHKU SS Series Kingpinless Stainless Steel Caster	70-71
110 Kingpinless Series Casters	73-79
40 Series Hybrid Kingpin Casters	80-83
27/FT/28 Series Casters.....	89-91
31 Series Kingpin Casters	92-95
S34 Series Kingpin Stainless Steel Casters	96-99
40 Series Casters.....	100-102
100 Series Pneumatic Casters	103

Applications

*Institutional, Electronics, Automotive,
Medical/Pharmaceuticals,
Laboratory & Food Services*

ALL WHEELS ARE AVAILABLE WITH
PRECISION BALL BEARING, CENTER PIECE & END CAPS
FOR MANUAL OR TOWING TO FIT IN 2-1/2" HUB LENGTH RIGS
See Wheel Section for complete selection.



**LEADING SIDE
TOTAL LOCK SWIVEL CASTER**
Add TL to swivel caster number

Available Toe Guard TO

Nylacron™

**NEW TRAILING SIDE
TOTAL LOCK SWIVEL CASTER**
No need to move cots back and forth
for finding the brake pedal.

Add TLT to swivel caster number
Available in 6" & 8"



Nylacron™



Swivel Head Section



Total Lock System



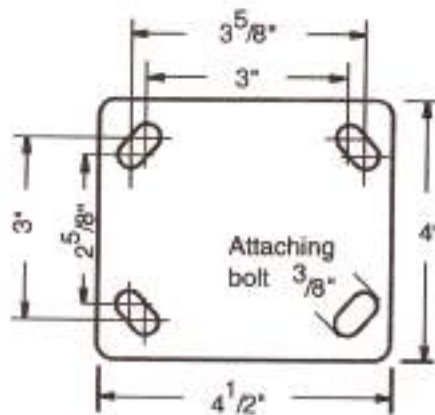
Wheel Face Break



Directional Lock

2,000 LBS. LOAD CAPACITY FORGED KINGPINLESS TYPE CASTERS

- Single piece Drop Forged AISI 1045 Steel Top Plate and Fork Base
- Precision CNC Machined Raceways with Kingpinless construction
- Induction Hardening of Raceways ensures uniform depth of hardness
- Totally Sealed Swivel Head with Grease Nipple
- 1/4" Thick Fork Legs robotically welded inside & outside to 2 1/2" fork spacing
- 1/2" Wheel axle
- 4 Position Foot Operated Directional Lock Slots
- Finish: Bright Zinc Plated



TOP PLATE

4 X 4-1/2

BOLT HOLE CENTER

2-5/8 X 3-5/8

SLOTTED TO

3 X 3

ATTACHING BOLT SIZE

3/8

RIG OPTIONS

DL: FOOT OPERATED
4-WAY DIRECTIONAL LOCK

WFB: WHEEL FACE BRAKE
ADD TO SUFFIX
TO THE CASTER PART NUMBER

LTP TOP PLATE SIZE AVAILABLE 4-1/2 X 6-1/4

ADD LTP TO PART NUMBERS

4

GHKU TOTAL LOCK SERIES KINGPINLESS CASTERS

SAS WHEELS

HIGH CAPACITY POLYURETHANE
TREAD WHEELS CAST IRON CORE

- Polyurethane firmly bonded to Precision Machined Cast Iron Core
- 93+ 3 Shore A
- Low rolling resistance, smooth and noiseless running

- Non-marking and floor protective
- High abrasion, cut and tear resistant
- Precision Ball Bearings
- Temperature Range: -40°F to +180°F
- **Available in Anti-Static add "AS" after wheel**



Part Number Swivel Caster	Part Number Swivel with Total Lock	Part Number Rigid Caster	Wheel Diameter (inch)	Tread Width (inch)	Load Capacity (lbs)	Overall Height (inch)	Swivel Radius (inch)	Swivel Radius w/Total Lock (inch)	Swivel Radius w/Wheel Brake (inch)
GHKU42SSAS	GHKU42SSASTL	GHKU42RSAS	4	2	900	5-5/8	3-3/16	4	8-1/2
GHKU52SSAS	GHKU52SSASTL	GHKU52RSAS	5	2	1200	6-1/2	3-7/8	4	9-1/2
GHKU62SSAS	GHKU62SSASTL	GHKU62RSAS	6	2	1650	7-1/2	4-9/16	6	10
GHKU82SSAS	GHKU82SSASTL	GHKU82RSAS	8	2	2000	9-1/2	6	6	11-1/2

ME WHEELS

ERGONOMIC POLYURETHANE
DONUT TREAD WHEELS ALUMINUM CORE

- For Low Push-Pull Efforts
- Polyurethane firmly bonded to Precision Machined Aluminum Core
- Red Tread 80 Shore A (shown)
- Non-marking and floor protective

- Tread Options (specify by durometer):
70A Black
95A Blue
73D Orange
- Precision Ball Bearings
- Temperature Range: -40°F to +180°F



Part Number Swivel Caster	Part Number Swivel with Total Lock	Part Number Rigid Caster	Wheel Diameter (inch)	Tread Width (inch)	Load Capacity (lbs)	Overall Height (inch)	Swivel Radius (inch)	Swivel Radius w/Total Lock (inch)	Swivel Radius w/Wheel Brake (inch)
GHKU42SME80A	GHKU42SMETL80A	GHKU42RME80A	4	2	800	5-5/8	3-3/16	4	8-1/2
GHKU52SME80A	GHKU52SMETL80A	GHKU52RME80A	5	2	1000	6-1/2	3-7/8	4	9-1/2
GHKU62SME80A	GHKU62SMETL80A	GHKU62RME80A	6	2	1250	7-1/2	4-9/16	6	10
GHKU82SME80A	GHKU82SMETL80A	GHKU82RME80A	8	2	1500	9-1/2	6	6	11-1/2

SZS WHEELS

ELASTIC POLYURETHANE
TREAD WHEELS CAST IRON CORE

- Polyurethane firmly bonded to Precision Machined Cast Iron Core
- 85+ 3 Shore A
- Excellent for power towing applications

- Reduced noise due to cushioning of loads, Lively Polyurethane allows wheels to "Flex and Roll" over debris
- Non-marking and floor protective
- Precision Ball Bearings
- Temperature Range: -40°F to +180°F
- **Available in Anti-Static add "AS" after wheel**



Part Number Swivel Caster	Part Number Swivel with Total Lock	Part Number Rigid Caster	Wheel Diameter (inch)	Tread Width (inch)	Load Capacity (lbs)	Overall Height (inch)	Swivel Radius (inch)	Swivel Radius w/Total Lock (inch)	Swivel Radius w/Wheel Brake (inch)
GHKU42SSZS	GHKU42SSZSTL	GHKU42RSZS	4	2	550	5-5/8	3-3/16	4	8-1/2
GHKU52SSZS	GHKU52SSZSTL	GHKU52RSZS	5	2	775	6-1/2	3-7/8	4	9-1/2
GHKU62SSZS	GHKU62SSZSTL	GHKU62RSZS	6	2	1000	7-1/2	4-9/16	6	10
GHKU82SSZS	GHKU82SSZSTL	GHKU82RSZS	8	2	1450	9-1/2	6	6	11-1/2

SEN
WHEELS

SOLID ELASTOMER WHEEL NYLON CORE

- 70 Shore (D) durometer
- FDA standards for use in food processing environments
- 100% washable

- Glass-filled nylon core insert endures heat
- High impact and abrasion resistant
- Resists oil, grease, water, and most solvents
- Temp Range: -50°F to +180°F



Part Number Swivel Caster	Part Number Swivel with Total Lock	Part Number Rigid Caster	Wheel Diameter (inch)	Tread Width (inch)	Load Capacity (lbs)	Overall Height (inch)	Swivel Radius (inch)	Swivel Radius w/Total Lock (inch)	Swivel Radius w/Wheel Brake (inch)
GHKU42SSEN	GHKU42SSENTL	GHKU42RSEN	4	2	1500	5-5/8	3-3/16	4	8-1/2
GHKU52SSEN	GHKU52SSENTL	GHKU52RSEN	5	2	1800	6-1/2	3-7/8	4	9-1/2
GHKU62SSEN	GHKU62SSENTL	GHKU62RSEN	6	2	2000	7-1/2	4-9/16	6	10
GHKU82SSEN	GHKU82SSENTL	GHKU82RSEN	8	2	2000	9-1/2	6	6	11-1/2

SJS WHEELS

POLYURETHANE TREAD WHEELS
CAST IRON CORE

- Polyurethane tread wheels firmly bonded to Precision Machined Cast Iron Core
- 93 + 3 Shore A
- Low rolling resistance; Smooth and noiseless running
- Non-marking and floor protective

- Good abrasion and cut resistance
- Ideal for medium duty applications
- Precision Ball Bearings
- Temperature Range: -40°F to +180°F
- Available in Anti-Static add "AS" after wheel



Part Number Swivel Caster	Part Number Swivel with Total Lock	Part Number Rigid Caster	Wheel Diameter (inch)	Tread Width (inch)	Load Capacity (lbs)	Overall Height (inch)	Swivel Radius (inch)	Swivel Radius w/Total Lock (inch)	Swivel Radius w/Wheel Brake (inch)
GHKU42SSJS	GHKU42SSJSTL	GHKU42RSJS	4	2	700	5-5/8	3-3/16	4	8-1/2
GHKU52SSJS	GHKU52SSJSTL	GHKU52RSJS	5	2	1000	6-1/2	3-7/8	4	9-1/2
GHKU62SSJS	GHKU62SSJSTL	GHKU62RSJS	6	2	1200	7-1/2	4-9/16	6	10
GHKU82SSJS	GHKU82SSJSTL	GHKU82RSJS	8	2	1500	9-1/2	6	6	11-1/2

MDW WHEELS

DUCTILE CAST STEEL WHEELS

- Machined tread face
- Crown tread face makes maneuverability easy
- Higher load capacities compared to cast iron wheels

- Suitable for extra heavy loads towed in punishing conditions
- High abrasion and oil resistance
- Precision Ball Bearings
- Temperature Range: 800°F



Part Number Swivel Caster	Part Number Swivel with Total Lock	Part Number Rigid Caster	Wheel Diameter (inch)	Tread Width (inch)	Load Capacity (lbs)	Overall Height (inch)	Swivel Radius (inch)	Swivel Radius w/Total Lock (inch)	Swivel Radius w/Wheel Brake (inch)
GHKU42SMDW	GHKU42SMDWTL	GHKU42RMDW	4	2	1500	5-5/8	3-3/16	4	8-1/2
GHKU52SMDW	GHKU52SMDWTL	GHKU52RMDW	5	2	1550	6-1/2	3-7/8	4	9-1/2
GHKU62SMDW	GHKU62SMDWTL	GHKU62RMDW	6	2	2000	7-1/2	4-9/16	6	10
GHKU82SMDW	GHKU82SMDWTL	GHKU82RMDW	8	2	2000	9-1/2	6	6	11-1/2

DF WHEELS

HOT FORGED STEEL WHEELS

- AISI 1045 steel with machined tread faces
- Virtually indestructible and easy to maneuver
- High abrasion and oil resistant

- Can be used in the roughest of applications on the poorest of floors
- Precision Ball Bearings
- Temperature Range: -150°F to +800°F



Part Number Swivel Caster	Part Number Swivel with Total Lock	Part Number Rigid Caster	Wheel Diameter (inch)	Tread Width (inch)	Load Capacity (lbs)	Overall Height (inch)	Swivel Radius (inch)	Swivel Radius w/Total Lock (inch)	Swivel Radius w/Wheel Brake (inch)
GHKU42SDF	GHKU42SDFTL	GHKU42RDF	4	2	1800	5-5/8	3-3/16	4	8-1/2
GHKU52SDF	GHKU52SDFTL	GHKU52RDF	5	2	2000	6-1/2	3-7/8	4	9-1/2
GHKU62SDF	GHKU62SDFTL	GHKU62RDF	6	2	2000	7-1/2	4-9/16	6	10
GHKU82SDF	GHKU82SDFTL	GHKU82RDF	8	2	2000	9-1/2	6	6	11-1/2

NY/MD WHEELS

NYLACRON™ WHEELS

- Precision Machined from Cast Polyamide. Hardness 112-120 Rockwell R
- Ultimate choice for extremely high load applications to replace metallic wheels
- Offer very high abrasion resistance and very low rolling resistance under extreme loads

- Resistant to salt, grease, alcohol and mild acids - can be used in corrosive applications with appropriate bearings
- Precision Ball Bearings
- Temperature Range: -40°F to +270°F



Part Number Swivel Caster	Part Number Swivel with Total Lock	Part Number Rigid Caster	Wheel Diameter (inch)	Tread Width (inch)	Load Capacity (lbs)	Overall Height (inch)	Swivel Radius (inch)	Swivel Radius w/Total Lock (inch)	Swivel Radius w/Wheel Brake (inch)
GHKU42SNYMD	GHKU42SNYMDTL	GHKU42RNYMD	4	2	2000	5-5/8	3-3/16	4	8-1/2
GHKU52SNYMD	GHKU52SNYMDTL	GHKU52RNYMD	5	2	2000	6-1/2	3-7/8	4	9-1/2
GHKU62SNYMD	GHKU62SNYMDTL	GHKU62RNYMD	6	2	2000	7-1/2	4-9/16	6	10
GHKU82SNYMD	GHKU82SNYMDTL	GHKU82RNYMD	8	2	2000	9-1/2	6	6	11-1/2

NY/MC WHEELS

NYLACRON™ WHITE WHEELS

- Precision Machined from cast polyamide hardness 112-120 Rockwell R
- Ultimate choice for extremely high load applications to replace metallic wheels
- Offer very high abrasion resistance and very low rolling resistance under extreme loads

- Resistant to salt, grease, alcohol and mild acids - can be used in corrosive applications with appropriate bearings
- Precision Ball Bearings
- Temperature Range: -40°F to +270°F



Part Number Swivel Caster	Part Number Swivel with Total Lock	Part Number Rigid Caster	Wheel Diameter (inch)	Tread Width (inch)	Load Capacity (lbs)	Overall Height (inch)	Swivel Radius (inch)	Swivel Radius w/Total Lock (inch)	Swivel Radius w/Wheel Brake (inch)
GHKU42SNYMC	GHKU42SNYMC TL	GHKU42RNYMC	4	2	2000	5-5/8	3-3/16	4	8-1/2
GHKU52SNYMC	GHKU52SNYMC TL	GHKU52RNYMC	5	2	2000	6-1/2	3-7/8	4	9-1/2
GHKU62SNYMC	GHKU62SNYMC TL	GHKU62RNYMC	6	2	2000	7-1/2	4-9/16	6	10
GHKU82SNYMC	GHKU82SNYMC TL	GHKU82RNYMC	8	2	2000	9-1/2	6	6	11-1/2

Swivel-EAZ™ Wheels available. Durometers: 70A (Black), 80A (Red), 95A (Blue), 60D (Gray), 75D (Black)

See pages 192-194 wheel section for complete specs on Swivel-EAZ™.

4

GHKU KINGPINLESS STAINLESS STEEL TOTAL LOCK SERIES CASTERS



**LEADING SIDE
TOTAL LOCK STAINLESS STEEL SWIVEL CASTER**

Add TL to swivel caster number



Swivel Head Section



Total Lock System



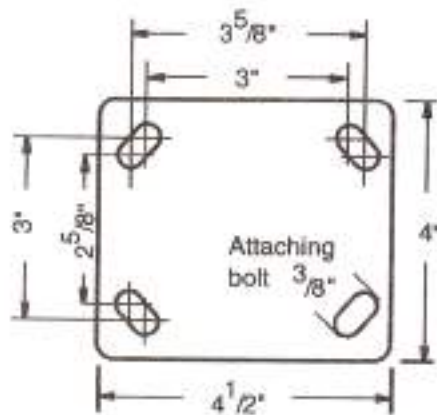
Wheel Face Break



Directional Lock

2,000 LBS. LOAD CAPACITY STAINLESS STEEL KINGPINLESS TYPE CASTERS

- Fabricated AISI 304 Stainless Steel Top Plate and Fork Base
- Precision CNC Machined Raceways with Kingpinless construction
- Totally Sealed Swivel Head with Grease Nipple
- 1/4" Thick Fork Legs Robotically welded Inside & Outside to 2 1/2" fork spacing
- 1/2" Wheel axle
- 4 Position Directional Lock Slots
- Finish: Bright Zinc Plated



TOP PLATE

4 X 4-1/2

BOLT HOLE CENTER

2-5/8 X 3-5/8

SLOTTED TO

3 X 3

ATTACHING BOLT SIZE

3/8

RIG OPTIONS

DL: 4-WAY DIRECTIONAL LOCK

WFB: WHEEL FACE BRAKE

ADD TO SUFFIX

OF THE CASTER PART NUMBER

4

GHKU KINGPINLESS STAINLESS STEEL TOTAL LOCK SERIES CASTERS

NY/MD WHEELS

NYLACRON™ WHEELS

- Precision Machined from Cast Polyamide. Hardness 112-120 Rockwell R
- Ultimate choice for Extremely High Load applications to replace metallic wheels
- Offer very high abrasion resistance and very low rolling resistance under extreme loads

- Resistant to salt, grease, alcohol and mild acids - can be used in corrosive applications with appropriate bearings
- Stainless Steel Precision Ball Bearings
- Temperature Range: -40°F to +270°F



Part Number Swivel Caster	Part Number Swivel with Total Lock	Part Number Rigid Caster	Wheel Diameter (inch)	Tread Width (inch)	Load Capacity (lbs)	Overall Height (inch)	Swivel Radius (inch)	Swivel Radius w/Total Lock (inch)	Swivel Radius w/Wheel Brake (inch)
GHKUSS42SNYMD	GHKUSS42SNYMDTL	GHKUSS42RNYMD	4	2	2000	5-5/8	3-3/16	4	8-1/2
GHKUSS52SNYMD	GHKUSS52SNYMDTL	GHKUSS52RNYMD	5	2	2000	6-1/2	3-7/8	4	9-1/2
GHKUSS62SNYMD	GHKUSS62SNYMDTL	GHKUSS62RNYMD	6	2	2000	7-1/2	4-9/16	6	10
GHKUSS82SNYMD	GHKUSS82SNYMDTL	GHKUSS82RNYMD	8	2	2000	9-1/2	6	6	11-1/2

NY/MC WHEELS

NYLACRON™ WHITE WHEELS

- Precision Machined from Cast Polyamide. Hardness 112-120 Rockwell R
- Ultimate choice for Extremely High Load applications to replace metallic wheels
- Offer very high abrasion resistance and very low rolling resistance under extreme loads

- Resistant to salt, grease, alcohol and mild acids - can be used in corrosive applications with appropriate bearings
- Stainless Steel Precision Ball Bearings
- Temperature Range: -40°F to +270°F



Part Number Swivel Caster	Part Number Swivel with Total Lock	Part Number Rigid Caster	Wheel Diameter (inch)	Tread Width (inch)	Load Capacity (lbs)	Overall Height (inch)	Swivel Radius (inch)	Swivel Radius w/Total Lock (inch)	Swivel Radius w/Wheel Brake (inch)
GHKUSS42SNYMC	GHKUSS42SNYMC TL	GHKUSS42RNYMC	4	2	2000	5-5/8	3-3/16	4	8-1/2
GHKUSS52SNYMC	GHKUSS52SNYMC TL	GHKUSS52RNYMC	5	2	2000	6-1/2	3-7/8	4	9-1/2
GHKUSS62SNYMC	GHKUSS62SNYMC TL	GHKUSS62RNYMC	6	2	2000	7-1/2	4-9/16	6	10
GHKUSS82SNYMC	GHKUSS82SNYMC TL	GHKUSS82RNYMC	8	2	2000	9-1/2	6	6	11-1/2

NN WHEELS

NYLON WHEELS

- Injection molded from Nylon 6
- 100% washable & steam cleanable; impervious to water, highly resistant to organic solvents, most chemicals & cleaning solutions; ideal for use in food processing and packaging plants
- Offer high impact strength and exceptional abrasion resistance

- Hard tread has slight crown and rolls very easily
- Non-marking
- Durometer: 75 Shore D (+/-5)
- Stainless Steel Precision Ball Bearings
- Temperature Range: -40°F to +180°F
- Available in Anti-Static add "AS"



Part Number Swivel Caster	Part Number Swivel with Total Lock	Part Number Rigid Caster	Wheel Diameter (inch)	Tread Width (inch)	Load Capacity (lbs)	Overall Height (inch)	Swivel Radius (inch)	Swivel Radius w/Total Lock (inch)	Swivel Radius w/Wheel Brake (inch)
GHKUSS42SNN	GHKUSS42SNN TL	GHKUSS42RNN	4	2	1320	5-5/8	3-3/16	4	8-1/2
GHKUSS52SNN	GHKUSS52SNN TL	GHKUSS52RNN	5	2	1320	6-1/2	3-7/8	4	9-1/2
GHKUSS62SNN	GHKUSS62SNN TL	GHKUSS62RNN	6	2	1320	7-1/2	4-9/16	6	10
GHKUSS82SNN	GHKUSS82SNN TL	GHKUSS82RNN	8	2	2000	9-1/2	6	6	11-1/2

4

GHKU KINGPINLESS STAINLESS STEEL TOTAL LOCK SERIES CASTERS

SS WHEELS

STAINLESS STEEL WHEELS

- Type 304 Stainless Steel
- Non-magnetic & Non-sparking
- Excellent corrosion resistance
- Slightly crowned tread face with rounded corners
- Stainless Steel Precision Ball Bearings

- Temperature Range: 800°F

Custom Stainless Steel Wheels
made to your specifications

- V-Grove - VG
- Flanged - FL



Part Number Swivel Caster	Part Number Swivel with Total Lock	Part Number Rigid Caster	Wheel Diameter (inch)	Tread Width (inch)	Load Capacity (lbs)	Overall Height (inch)	Swivel Radius (inch)	Swivel Radius w/Total Lock (inch)	Swivel Radius w/Wheel Brake (inch)
GHKUSS42SSS	GHKUSS42SSSTL	GHKUSS42RSS	4	2	1000	5-5/8	3-3/16	4	8-1/2
GHKUSS52SSS	GHKUSS52SSSTL	GHKUSS52RSS	5	2	1000	6-1/2	3-7/8	4	9-1/2
GHKUSS62SSS	GHKUSS62SSSTL	GHKUSS62RSS	6	2	1000	7-1/2	4-9/16	6	10
GHKUSS82SSS	GHKUSS82SSSTL	GHKUSS82RSS	8	2	1000	9-1/2	6	6	11-1/2

SEN WHEELS

SOLID ELASTOMER WHEEL NYLON CORE

- 70 Shore (D) durometer
- FDA standards for use in food processing environments
- 100% Washable

- Stainless Steel Precision Ball Bearings
- Glass-filled nylon core insert endures heat
- High impact and abrasion resistant
- Resists oil, grease, water, and most solvents
- Temp Range: -50°F to +180°F



Part Number Swivel Caster	Part Number Swivel with Total Lock	Part Number Rigid Caster	Wheel Diameter (inch)	Tread Width (inch)	Load Capacity (lbs)	Overall Height (inch)	Swivel Radius (inch)	Swivel Radius w/Total Lock (inch)	Swivel Radius w/Wheel Brake (inch)
GHKUSS42SSEN	GHKUSS42SSENTL	GHKUSS42RSEN	4	2	1000	5-5/8	3-3/16	4	8-1/2
GHKUSS52SSEN	GHKUSS52SSENTL	GHKUSS52RSEN	5	2	1400	6-1/2	3-7/8	4	9-1/2
GHKUSS62SSEN	GHKUSS62SSENTL	GHKUSS62RSEN	6	2	1700	7-1/2	4-9/16	6	10
GHKUSS82SSEN	GHKUSS82SSENTL	GHKUSS82RSEN	8	2	2000	9-1/2	6	6	11-1/2

KR WHEELS

SOLID POLYURETHANE KRYPTONIC™ WHEELS

- Polyether Polyurethane has excellent carrying capacity.
- Crown shape affords an easy-rolling quiet operation
- Greater service life and resistance to chunking, cutting and abrasive wear

- 100% washable, steam cleanable, and resistant to most chemicals
- Non-marking tread
- Durometer: 58 Shore D (+/-5)
- Stainless Steel Precision Ball Bearings
- Temperature Range: + 250°F for up to a 1/2 hour.
- Available in 5" HI-temp gray + 250°F for 5 to 6 hrs. add: "G" after "KR". Example: GHKUSS42/SKR^G.



Part Number Swivel Caster	Part Number Swivel with Total Lock	Part Number Rigid Caster	Wheel Diameter (inch)	Tread Width (inch)	Load Capacity (lbs)	Overall Height (inch)	Swivel Radius (inch)	Swivel Radius w/Total Lock (inch)	Swivel Radius w/Wheel Brake (inch)
GHKUSS42SKR	GHKUSS42SKRTL	GHKUSS42RKR	4	2	500	5-5/8	3-3/16	4	8-1/2
GHKUSS52SKR	GHKUSS52SKRTL	GHKUSS52RKR	5	2	600	6-1/2	3-7/8	4	9-1/2
GHKUSS62SKR	GHKUSS62SKRTL	GHKUSS62RKR	6	2	700	7-1/2	4-9/16	6	10
GHKUSS82SKR	GHKUSS82SKRTL	GHKUSS82RKR	8	2	800	9-1/2	6	6	11-1/2

4 110 SERIES KINGPINLESS CASTERS

1,500 LBS. LOAD CAPACITY STAINLESS STEEL KINGPINLESS TYPE CASTERS



- **Top Plate:** 5/16" AISI 1045 steel welded and heat treated for longer life
- **Yoke Base:** Notched AISI 1045 steel
- **Swivel Section:** One row of 3/8" ball bearings mounted in a precision machined raceway. Zerk in swivel section
- **Fork Legs:** 1/4" steel, formed to increase strength and welded on inside and outside yoke base. Fork lift spacing 2-1/2"
- **Axle:** 1/2" diameter hollow axle with zerk fitting on roller and tapered bearing models (Solid axle on Delrin, precision ball, and Oilex models)
- **Finish:** Zinc plating
- Alternate or custom caster configurations available

BRAKES OPTIONS



Cam
specify **CB110**

Face Brake
specify **FBC**

Face Brake
specify **FBB**

Foot Activated Swivel Lock
specify **SL 160002**

Stamped Steel fully heat treated construction.

TYPICAL APPLICATIONS

- Dollies
- Dough troughs
- Platform trucks
- Tow line
- Utility carts
- Tooling fixtures
- Scrap metal carriers

ALL WHEELS AVAILABLE WITH ROLLER BEARINGS OR DELRIN BUSHING

MOUNTING PLATE OPTIONS

TOP PLATE: 16 (STANDARD)

Plate Size: 4" x 4-1/2"
Bolt Holes: 2-5/8" x 3-5/8"
slotted to 3" x 3"
Bolt Size: 3/8"

TOP PLATE: K

Plate Size: 4-1/2" x 6-1/4"
Bolt Holes: 5-1/4" x 3-3/8"
slotted to
4-15/16" x 2-7/16"
Bolt Size: 1/2"

TOP PLATE: D

Plate Size: 5" x 5-1/2"
Bolt Holes: 4-1/8" x 4-1/2"
Bolt Size: 3/8"

TOP PLATE: J

Plate Size: 4" x 5"
Bolt Holes: 4" x 3"
slotted to
3-3/8" x 2-5/8"
Bolt Size: 5/8"

*Add options to end of part number

BEARING OPTIONS

Roller Bearing (01)
Industrial Ball (27)
Precision Ball (28)

4 110 SERIES KINGPINLESS CASTERS

X-TRA ROUND TREAD 29 PEDESTAL PRECISION XR

- Precision Ball Bearings

Part Number Swivel Caster	Part Number Rigid Caster	Wheel Diameter (inch)	Tread Width (inch)	Load Capacity (lbs)	Overall Height (inch)	Swivel Lead (inch)	Approx. Weight (lbs)
110XR06229S	110XR06229R	6	2	600	7-1/2	1-3/4	6-1/2
110XR08229S	110XR08229R	8	2	675	9-1/2	1-3/4	7-1/2



EXTREME PLUS SOLID ELASTOMER XP

- Hardness: 60 Shore D
- Premium Polyurethane
- Excellent for towing applications
- Precision Ball Bearings
- Wheel Face: Moderate crown
- Temperature Range: up to +250°F

Part Number Swivel Caster	Part Number Rigid Caster	Wheel Diameter (inch)	Tread Width (inch)	Load Capacity (lbs)	Overall Height (inch)	Swivel Lead (inch)	Approx. Weight (lbs)
110XP04228S	110XP04228R	4	2	1200	6-1/2	1-5/8	5-1/2
110XP05228S	110XP05228R	5	2	1200	6-1/2	1-5/8	5-1/2
110XP06228S	110XP06228R	6	2	1200	7-1/2	1-3/4	6-1/2
110XP08228S	110XP08228R	8	2	1200	9-1/2	1-3/4	8-1/2



X-TREME™ PLUS SOLID POLYURETHANE 29 PEDESTAL PRECISION XP

- Precision Ball Bearings

Part Number Swivel Caster	Part Number Rigid Caster	Wheel Diameter (inch)	Tread Width (inch)	Load Capacity (lbs)	Overall Height (inch)	Swivel Lead (inch)	Approx. Weight (lbs)
110XP04229S	110XP04229R	4	2	1250	5-5/8	1-7/16	6
110XP05229S	110XP05229R	5	2	1250	6-1/2	1-5/8	6-1/2
110XP06229S	110XP06229R	6	2	1250	7-1/2	1-7/8	7-1/4
110XP08229S	110XP08229R	8	2	1250	9-1/2	2-3/8	9



ELASTIC BLUE RUBBER BALL BEARING ERB

- Elastic solid rubber, smooth rolling quality
- Color Blue, 65° + 3° shore A
- Vulcanized, for non-detachable bond, low rolling resistance
- Precision Ball Bearings
- Made of aluminum die-cast, corrosion-resistant, with dual sealed precision ball bearings

Part Number Swivel Caster	Part Number Rigid Caster	Wheel Diameter (inch)	Tread Width (inch)	Load Capacity (lbs)	Overall Height (inch)	Swivel Lead (inch)	Approx. Weight (lbs)
110ERB06229S	110ERB06229R	6	2	660	7-1/2	1-3/4	6-1/2
110ERB08229S	110ERB08229R	8	2	800	9-1/2	1-3/4	7-1/2



4 110 SERIES KINGPINLESS CASTERS

POLYURETHANE ON ALUMINUM ROUND TREAD 28 PRECISION BALL BEARING PM95A

- Composed of a polyurethane elastomer open cast or injection molded, on clean, close tolerance cores
- Wheels feature a chemical and mechanical lock of tread to the core
- High capacity polyurethane protects floors
- Non-marking
- Delivers quieter operation than standard metal wheels

Part Number Swivel Caster	Part Number Rigid Caster	Wheel Diameter (inch)	Tread Width (inch)	Load Capacity (lbs)	Overall Height (inch)	Swivel Lead (inch)	Approx. Weight (lbs)
110PM05228S	110PM05228R	5	2	1000	6-1/2	1-3/8	6
110PM06228S	110PM06228R	6	2	1250	7-1/2	1-9/16	7
110PM08228S	110PM08228R	8	2	1500	10-1/8	2-1/4	9



POLYURETHANE ON POLYPROPYLENE 29 PEDESTAL PRECISION PM80A

- Precision Pedestal Bearing

Part Number Swivel Caster	Part Number Rigid Caster	Wheel Diameter (inch)	Tread Width (inch)	Load Capacity (lbs)	Overall Height (inch)	Swivel Lead (inch)	Approx. Weight (lbs)
110PM0522880AS	110PM0522880AR	5	2	1000	6-1/2	1-3/8	5-1/2
110PM0622880AS	110PM0622880AR	6	2	1250	7-1/2	1-9/16	6-1/2
110PM0822880AS	110PM0822880AR	8	2	1500	10-1/8	2-1/4	8-1/2



MAXIM® 29 PEDESTAL PRECISION NG

- Precision Pedestal Bearing

Part Number Swivel Caster	Part Number Rigid Caster	Wheel Diameter (inch)	Tread Width (inch)	Load Capacity (lbs)	Overall Height (inch)	Swivel Lead (inch)	Approx. Weight (lbs)
110NG04229S	110NG04229R	4	2	800	5-5/8	1-7/16	6
110NG05229S	110NG05229R	5	2	1000	6-1/2	1-5/8	6-1/2
110NG06229S	110NG06229R	6	2	1200	7-1/2	1-7/8	7-1/4
110NG08229S	110NG08229R	8	2	1400	9-1/2	2-3/8	9



URETHANE ON BLACK NYLON 28 PRECISION BALL BEARING XG

- Offers greater load capacity than rubber
- Resists chemicals, acids, caustic, and oils
- Precision Ball Bearings
- Excellent for use in applications where ergonomic floor protective wheels are needed

Part Number Swivel Caster	Part Number Rigid Caster	Wheel Diameter (inch)	Tread Width (inch)	Load Capacity (lbs)	Overall Height (inch)	Swivel Lead (inch)	Approx. Weight (lbs)
110XG06228S	110XG06228R	6	2	900	7-1/2	1-9/16	7-1/4
110XG08228S	110XG08228R	8	2	900	10-1/8	2-1/4	9



4 110 SERIES KINGPINLESS CASTERS

HEAVY DUTY REINFORCED THERMOPLASTIC 28 PRECISION BALL BEARING DT

- Creates a stronger and higher impact resistant wheel
- Glass reinforced nylon material
- Precision Ball Bearings
- Ideal for applications subject to strong impact and abuse

Part Number Swivel Caster	Part Number Rigid Caster	Wheel Diameter (inch)	Tread Width (inch)	Load Capacity (lbs)	Overall Height (inch)	Swivel Lead (inch)	Approx. Weight (lbs)
110DT04228S	110DT04228R	4	2	1000	5-5/8	1-3/16	6
110DT05228S	110DT05228R	5	2	1200	6-1/2	1-3/8	6-1/2
110DT06228S	110DT06228R	6	2	1400	7-1/2	1-9/16	7-1/4
110DT08228S	110DT08228R	8	2	1600	10-1/8	2-1/4	9



POLYURETHANE ON CAST IRON 28 PRECISION BALL BEARING PY95A

- Chemically bonded to a cast iron core
- High capacity polyurethane protects floors
- Non-marking
- Precision Ball Bearings
- Delivers quieter operation than standard metal wheels

Part Number Swivel Caster	Part Number Rigid Caster	Wheel Diameter (inch)	Tread Width (inch)	Load Capacity (lbs)	Overall Height (inch)	Swivel Lead (inch)	Approx. Weight (lbs)
110PY06228S	110PY06228R	6	2	1230	6-1/2	1-3/8	6
110PY08228S	110PY08228R	8	2	1500	7-1/2	1-9/16	7
110PY10228S	110PY10228R	10	2	1700	10-1/8	2-1/4	9



ETHANE POLYURETHANE ON CAST IRON 28 PRECISION BALL BEARING PY80A

- Chemically bonded to a cast iron core
- High capacity polyurethane protects floors
- Non-marking
- Precision Ball Bearings
- Delivers quieter operation than standard metal wheels
- Rejects metal chips, debris and other items that can be harmful to the wheel

Part Number Swivel Caster	Part Number Rigid Caster	Wheel Diameter (inch)	Tread Width (inch)	Load Capacity (lbs)	Overall Height (inch)	Swivel Lead (inch)	Approx. Weight (lbs)
110PY0622880AS	110PY0622880AR	6	2	1025	6-1/2	1-3/8	6
110PY0822880AS	110PY0822880AR	8	2	1250	7-1/2	1-9/16	7
110PY1022880AS	110PY1022880AR	10	2	1400	10-1/8	2-1/4	9



NEOPRENE ON ALUMINUM 28 PRECISION BALL BEARING NP SHORE 60-70A

- Very high resilience and is impervious to metal chips and screws
- Performs well in contact with oils and chemicals and can be used over a wide temperature range
- Precision Ball Bearings
- Designed to handle heavy loads
- High chemical resistance

Part Number Swivel Caster	Part Number Rigid Caster	Wheel Diameter (inch)	Tread Width (inch)	Load Capacity (lbs)	Overall Height (inch)	Swivel Lead (inch)	Approx. Weight (lbs)
110NP05228S	110NP05228R	5	2	600	6-1/2	1-3/8	6
110NP06228S	110NP06228R	6	2	700	7-1/2	1-9/16	7
110NP08228S	110NP08228R	8	2	700	10-1/8	2-1/4	9



4 110 SERIES KINGPINLESS CASTERS

NY/MD WHEELS

NYLACRON™ WHEELS

- Precision Machined from Cast Polyamide. Hardness 112-120 Rockwell R
- Ultimate choice for Extremely High Load applications to replace metallic wheels
- Offer very high abrasion resistance and very low rolling resistance under extreme loads

- Resistant to salt, grease, alcohol and mild acids - can be used in corrosive applications with appropriate bearings
- Stainless Steel Precision Ball Bearings
- Temperature Range: -40°F to +270°F



Part Number Swivel Caster	Part Number Swivel with Total Lock	Part Number Rigid Caster	Wheel Diameter (inch)	Tread Width (inch)	Load Capacity (lbs)	Overall Height (inch)	Swivel Radius (inch)	Swivel Radius w/Total Lock (inch)	Swivel Radius w/Wheel Brake (inch)
11042SNYMD	11042SNYMDTL	11042RNYMD	4	2	2000	5-5/8	3-3/16	4	8-1/2
11052SNYMD	11052SNYMDTL	11052RNYMD	5	2	2000	6-1/2	3-7/8	4	9-1/2
11062SNYMD	11062SNYMDTL	11062RNYMD	6	2	2000	7-1/2	4-9/16	6	10
11082SNYMD	11082SNYMDTL	11082RNYMD	8	2	2000	9-1/2	6	6	11-1/2

NY/MC WHEELS

NYLACRON™ WHITE WHEELS

- Precision Machined from Cast Polyamide. Hardness 112-120 Rockwell R
- Ultimate choice for Extremely High Load applications to replace metallic wheels
- Offer very high abrasion resistance and very low rolling resistance under extreme loads

- Resistant to salt, grease, alcohol and mild acids - can be used in corrosive applications with appropriate bearings
- Stainless Steel Precision Ball Bearings
- Temperature Range: -40°F to +270°F



Part Number Swivel Caster	Part Number Swivel with Total Lock	Part Number Rigid Caster	Wheel Diameter (inch)	Tread Width (inch)	Load Capacity (lbs)	Overall Height (inch)	Swivel Radius (inch)	Swivel Radius w/Total Lock (inch)	Swivel Radius w/Wheel Brake (inch)
11042SNYMC	11042SNYMCTL	11042RNYMC	4	2	2000	5-5/8	3-3/16	4	8-1/2
11052SNYMC	11052SNYMCTL	11052RNYMC	5	2	2000	6-1/2	3-7/8	4	9-1/2
11062SNYMC	11062SNYMCTL	11062RNYMC	6	2	2000	7-1/2	4-9/16	6	10
11082SNYMC	11082SNYMCTL	11082RNYMC	8	2	2000	9-1/2	6	6	11-1/2

KR WHEELS

SOLID POLYURETHANE KRYPTONIC™ WHEELS

- Polyether Polyurethane has excellent carrying capacity.
- Crown shape affords an easy-rolling quiet operation
- Greater service life and resistance to chunking, cutting and abrasive wear

- 100% washable, steam cleanable, and resistant to most chemicals
- Non-marking tread
- Durometer: 58 Shore D (+/-5)
- Stainless Steel Precision Ball Bearings
- Available in 5" HI-temp gray + 250°F for 5 to 6 hrs. add: "G" after "KR". Example: Y582P1CR/KRG5



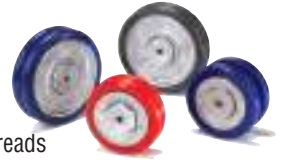
Part Number Swivel Caster	Part Number Swivel with Total Lock	Part Number Rigid Caster	Wheel Diameter (inch)	Tread Width (inch)	Load Capacity (lbs)	Overall Height (inch)	Swivel Radius (inch)	Swivel Radius w/Total Lock (inch)	Swivel Radius w/Wheel Brake (inch)
11042SKR	11042SKRTL	11042RKR	4	2	500	5-5/8	3-3/16	4	8-1/2
11052SKR	11052SKRTL	11052RKR	5	2	600	6-1/2	3-7/8	4	9-1/2
11062SKR	11062SKRTL	11062RKR	6	2	700	7-1/2	4-9/16	6	10
11082SKR	11082SKRTL	11082RKR	8	2	800	9-1/2	6	6	11-1/2

SWE 80A FLAT TREAD WHEELS RED

INTEGRATED TWIN WHEELS

- Reduces rolling resistance
- Minimizes initial start forces
- Prolongs the life of the swivel caster
- Eliminates the need for costly dual-wheel caster

- Carries 2x the load of standard size wheels with similar tread hardness
- Maintenance-free for longer life
- Non-marking, high-performance elastomer treads
- Patented SWE® Precision Ball Bearing Design
- Temp Range: -40°F to +180°F



Part Number Swivel Caster	Part Number Rigid Caster	Wheel Diameter (inch)	Tread Width (inch)	Load Capacity (lbs)	Overall Height (inch)	Swivel Radius (inch)	Swivel Radius w/Wheel Brake (inch)
11032SSWE80AFT	11032RSWE80AFT	3	2	560	5-1/16	3-3/16	8-1/2
11042SSWE80AFT	11042RSWE80AFT	4	2	700	5-5/8	3-3/16	8-1/2
11052SSWE80AFT	11052RSWE80AFT	5	2	1050	6-1/2	3-7/8	9-1/2
11062SSWE80AFT	11062RSWE80AFT	6	2	1400	7-1/2	4-9/16	10
11082SSWE80AFT	11082RSWE80AFT	8	2	1400	9-1/2	6	11-1/2

SWE 80A CROWN TREAD WHEELS RED

INTEGRATED TWIN WHEELS

- Reduces rolling resistance
- Minimizes initial start forces
- Prolongs the life of the swivel caster
- Eliminates the need for costly dual-wheel caster

- Carries 2x the load of standard size wheels with similar tread hardness
- Maintenance-free for longer life
- Non-marking, high-performance elastomer treads
- Patented SWE® Precision Ball Bearing Design
- Temp Range: -40°F to +180°F



Part Number Swivel Caster	Part Number Rigid Caster	Wheel Diameter (inch)	Tread Width (inch)	Load Capacity (lbs)	Overall Height (inch)	Swivel Radius (inch)	Swivel Radius w/Wheel Brake (inch)
11032SSWE80ACRN	11032RSWE80ACRN	3	2	320	5-1/16	3-3/16	8-1/2
11042SSWE80ACRN	11042RSWE80ACRN	4	2	400	5-5/8	3-3/16	8-1/2
11052SSWE80ACRN	11052RSWE80ACRN	5	2	650	6-1/2	3-7/8	9-1/2
11062SSWE80ACRN	11062RSWE80ACRN	6	2	900	7-1/2	4-9/16	10
11082SSWE80ACRN	11082RSWE80ACRN	8	2	1400	9-1/2	6	11-1/2

SWE 95A FLAT TREAD WHEELS BLUE

INTEGRATED TWIN WHEELS

- Reduces rolling resistance
- Minimizes initial start forces
- Prolongs the life of the swivel caster
- Eliminates the need for costly dual-wheel caster

- Carries 2x the load of standard size wheels with similar tread hardness
- Maintenance-free for longer life
- Non-marking, high-performance elastomer treads
- Patented SWE® Precision Ball Bearing Design
- Temp Range: -40°F to +180°F



Part Number Swivel Caster	Part Number Rigid Caster	Wheel Diameter (inch)	Tread Width (inch)	Load Capacity (lbs)	Overall Height (inch)	Swivel Radius (inch)	Swivel Radius w/Wheel Brake (inch)
11032SSWE95AFT	11032RSWE95AFT	3	2	720	5-1/16	3-3/16	8-1/2
11042SSWE95AFT	11042RSWE95AFT	4	2	900	5-5/8	3-3/16	8-1/2
11052SSWE95AFT	11052RSWE95AFT	5	2	1400	6-1/2	3-7/8	9-1/2
11062SSWE95AFT	11062RSWE95AFT	6	2	1400	7-1/2	4-9/16	10
11082SSWE95AFT	11082RSWE95AFT	8	2	1400	9-1/2	6	11-1/2

Also available in crown and flat tread 70A, 60D and 75D

4 110 SERIES KINGPINLESS CASTERS

SWE 95A CROWN TREAD WHEELS BLUE

INTEGRATED TWIN WHEELS

- Reduces rolling resistance
- Minimizes initial start forces
- Prolongs the life of the swivel caster
- Eliminates the need for costly dual-wheel caster

- Carries 2x the load of standard size wheels with similar tread hardness
- Maintenance-free for longer life
- Non-marking, high-performance elastomer treads
- Patented SWE® Precision Ball Bearing Design
- Temp Range: -40°F to +180°F



Part Number Swivel Caster	Part Number Rigid Caster	Wheel Diameter (inch)	Tread Width (inch)	Load Capacity (lbs)	Overall Height (inch)	Swivel Radius (inch)	Swivel Radius w/Wheel Brake (inch)
11032SSWE95ACRN	11032RSWE95ACRN	3	2	400	5-1/16	3-3/16	8-1/2
11042SSWE95ACRN	11042RSWE95ACRN	4	2	500	5-5/8	3-3/16	8-1/2
11052SSWE95ACRN	11052RSWE95ACRN	5	2	800	6-1/2	3-7/8	9-1/2
11062SSWE95ACRN	11062RSWE95ACRN	6	2	1100	7-1/2	4-9/16	10
11082SSWE95ACRN	11082RSWE95ACRN	8	2	1400	9-1/2	6	11-1/2

SWE 70A FLAT TREAD WHEELS BLACK

INTEGRATED TWIN WHEELS

- Reduces rolling resistance
- Minimizes initial start forces
- Prolongs the life of the swivel caster
- Eliminates the need for costly dual-wheel caster

- Carries 2x the load of standard size wheels with similar tread hardness
- Maintenance-free for longer life
- Non-marking, high-performance elastomer treads
- Patented SWE® Precision Ball Bearing Design
- Temp Range: -40°F to +180°F



Part Number Swivel Caster	Part Number Rigid Caster	Wheel Diameter (inch)	Tread Width (inch)	Load Capacity (lbs)	Overall Height (inch)	Swivel Radius (inch)	Swivel Radius w/Wheel Brake (inch)
11032SSWE70ACRN	11032RSWE70ACRN	3	2	800	5-1/16	3-3/16	8-1/2
11042SSWE70ACRN	11042RSWE70ACRN	4	2	1000	5-5/8	3-3/16	8-1/2
11052SSWE70ACRN	11052RSWE70ACRN	5	2	1400	6-1/2	3-7/8	9-1/2
11062SSWE70ACRN	11062RSWE70ACRN	6	2	1400	7-1/2	4-9/16	10
11082SSWE70ACRN	11082RSWE70ACRN	8	2	1400	9-1/2	6	11-1/2

SWE 70A CROWN TREAD WHEELS BLACK

INTEGRATED TWIN WHEELS

- Reduces rolling resistance
- Minimizes initial start forces
- Prolongs the life of the swivel caster
- Eliminates the need for costly dual-wheel caster

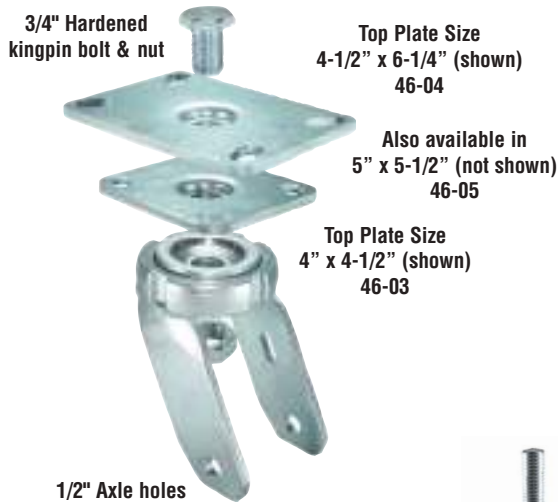
- Carries 2x the load of standard size wheels with similar tread hardness
- Maintenance-free for longer life
- Non-marking, high-performance elastomer treads
- Patented SWE® Precision Ball Bearing Design
- Temp Range: -40°F to +180°F



Part Number Swivel Caster	Part Number Rigid Caster	Wheel Diameter (inch)	Tread Width (inch)	Load Capacity (lbs)	Overall Height (inch)	Swivel Radius (inch)	Swivel Radius w/Wheel Brake (inch)
11032SSWE70ACRN	11032RSWE70ACRN	3	2	520	5-1/16	3-3/16	8-1/2
11042SSWE70ACRN	11042RSWE70ACRN	4	2	800	5-5/8	3-3/16	8-1/2
11052SSWE70ACRN	11052RSWE70ACRN	5	2	1060	6-1/2	3-7/8	9-1/2
11062SSWE70ACRN	11062RSWE70ACRN	6	2	1300	7-1/2	4-9/16	10
11082SSWE70ACRN	11082RSWE70ACRN	8	2	1400	9-1/2	6	11-1/2

*When ordering, note durometer after the part number (ex: SWE-320-FT-60D)
Also available in crown and flat tread 70A, 60D and 75D

46 SERIES HYBRID HEAVY DUTY KINGPIN CASTERS



ADD TOP PLATE SIZE TO END OF CASTER*
03, 04, 05

- Hot forged ASTM 1045 steel legs and yoke base
- Heavy duty induction hardened sealed raceway
- 3/8" diameter HRC45 steel ball bearing raceway
- Heat treated 3/4" diameter kingpin & nut
- Double welded legs
- Endless fastening capabilities



HYBRID STEM CASTER*
3/4" HOLE SIZE
ADD STEM SIZE TO END OF CASTER



TOP LOCK
TS



CAM LOCK
MS



4 POSITION LOCK
PS



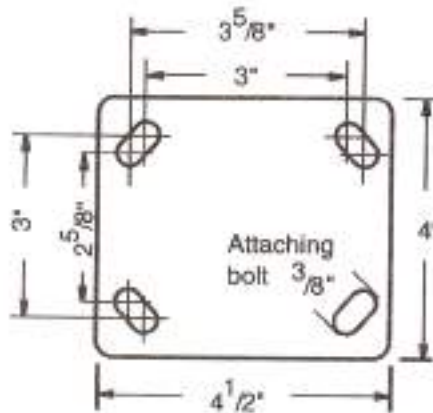
FOOT OPERATED SWIVEL LOCK
only available in 4" x 4-1/2" top plate

2,000 LBS. LOAD CAPACITY FORGED HYBRID KINGPIN CASTERS

- Kingpinless strength with Kingpin simplicity
- Kingpinless style drop forged swivel raceway 3/8" Ball bearings (HRC45 steel)
- 3/4" Kingpin/Nut hardened
- 1/4" Cold forged top plate (ASTM 1045)
- 1/2" Axle holes
- Long life of caster with low cost
- Extra high endurance in distance traveled
- Hub length 2 1/2"

ALL WHEELS AVAILABLE WITH PRECISION BEARINGS (63) OR ROLLER BEARINGS (38)

- Caster Options:** 304 Stainless Steel - "S" prefix
- Other Options:** Zerk axle - "Z" suffix
- Plate size:** 4" x 4 1/2"
- Bolt Diameter:** 3/8"



STANDARD
46 03 TOP PLATE
4 X 4-1/2

BOLT HOLE CENTER
2-5/8 X 3-5/8
SLOTTED TO
3 X 3

ATTACHING BOLT SIZE
3/8

4

46 SERIES HYBRID HEAVY DUTY KINGPIN CASTERS

MU
WHEELS

POLYURETHANE ON GLASS-FILLED NYLON

- 10mm blue tread
- 90-95 Durometer Shore (A) (Green Thread)
- 60-70 Durometer Shore (D)
- Light weight reinforced glass-filled nylon core

- Non-marking, non-staining, non-conductive tread
- Floor protective
- Resists oil, grease, water, and most solvents
- Temp Range: -45°F to +180°F



Part Number Swivel Caster	Part Number Rigid Caster	Wheel Diameter (inch)	Tread Width (inch)	Load Capacity (lbs)	Overall Height (inch)	Swivel Radius (inch)	Precision Bearing
46CS420MU63	46CR420MU63	4	2	800	5-5/8	3-1/8	63
46CS520MU63	46CR520MU63	5	2	1400	6-1/2	3-3/4	63
46CS620MU63	46CR620MU63	6	2	1400	7-1/2	4-1/2	63
46CS820MU63	46CR820MU63	8	2	1800	9-1/2	6-5/16	63

PTU
WHEELS

POLYURETHANE ON POLYOLEFIN

- 90-95 Durometer Shore (A) Ductile Polyurethane tread mechanically bonded to Polyolefin core
- High capacity and lightweight
- Resists oil, grease, water, and most solvents

- Smooth rolling and quiet
- Temp Range: -45°F to +180°F

Options: Flat Tread & Donut Tread

- Donut Tread PTU (6", 8") DTU



Part Number Swivel Caster	Part Number Rigid Caster	Wheel Diameter (inch)	Tread Width (inch)	Load Capacity (lbs)	Overall Height (inch)	Swivel Radius (inch)	Precision Bearing
46CS420PTU38	46CR420PTU38	4	2	700	5-5/8	3-1/8	38
46CS520PTU38	46CR520PTU38	5	2	1000	6-1/2	3-3/4	38
46CS620PTU38	46CR620PTU38	6	2	1200	7-1/2	4-1/2	38
46CS820PTU38	46CR820PTU38	8	2	1400	9-1/2	6-5/16	38

SEN
WHEELS

SOLID ELASTOMER WHEEL NYLON CORE

- 70 Shore (D) durometer
- FDA standards for use in food processing environments
- 100% Washable

- Glass-filled nylon core insert endures heat
- High impact and abrasion resistant
- Resists oil, grease, water, and most solvents
- Temp Range: -50°F to +180°F



Part Number Swivel Caster	Part Number Rigid Caster	Wheel Diameter (inch)	Tread Width (inch)	Load Capacity (lbs)	Overall Height (inch)	Swivel Radius (inch)	Precision Bearing
46CS420SEN63	46CR420SEN63	4	2	1500	5-5/8	3-1/8	63
46CS520SEN63	46CR520SEN63	5	2	1800	6-1/2	3-3/4	63
46CS620SEN63	46CR620SEN63	6	2	2100	7-1/2	4-1/2	63
46CS820SEN63	46CR820SEN63	8	2	2600	9-1/2	6-5/16	63

DS
WHEELS

DUCTILE STEEL

- Extreme heavy duty applications
- High capacity

- Effortless rolling under heavy loads
- Temp Range: -45°F to +800°F



Part Number Swivel Caster	Part Number Rigid Caster	Wheel Diameter (inch)	Tread Width (inch)	Load Capacity (lbs)	Overall Height (inch)	Swivel Radius (inch)	Precision Bearing
46CS420DS38	46CR420DS38	4	2	1200	5-5/8	3-1/8	38
46CS520DS38	46CR520DS38	5	2	1500	6-1/2	3-3/4	38
40CS620DS38	46CR620DS38	6	2	2000	7-1/2	4-1/2	38
40CS820DS38	46CR820DS38	8	2	2500	9-1/2	6-5/16	38

SPU
WHEELS

SOLID POLYURETHANE

- 60 Durometer Shore (D)
- FDA requirements met for use in food processing environments
- 100% Washable

- One piece mold design eliminates bonding failure
- High impact and abrasion resistant
- Resists oil, grease, water, and most solvents
- Temp Range: -45°F to +180°F



Part Number Swivel Caster	Part Number Rigid Caster	Wheel Diameter (inch)	Tread Width (inch)	Load Capacity (lbs)	Overall Height (inch)	Swivel Radius (inch)	Precision Bearing
46CS420SPU63	46CR420SPU63	4	2	700	5-5/8	3-1/8	63
46CS520SPU63	46CR520SPU63	5	2	1200	6-1/2	3-3/4	63
46CS620SPU63	46CR620SPU63	6	2	1200	7-1/2	4-1/2	63
46CS820SPU63	46CR820SPU63	8	2	1400	9-1/2	6-5/16	63

ERN
WHEELS

ELASTIC RUBBER ON NYLON

- 70-75 Durometer Shore (A)
- Elastic rubber molded to nylon core

- Non-marking
- Easy rolling, impact resistant and shock absorbing
- Temp Range: -40°F to +160°F



Part Number Swivel Caster	Part Number Rigid Caster	Wheel Diameter (inch)	Tread Width (inch)	Load Capacity (lbs)	Overall Height (inch)	Swivel Radius (inch)	Precision Bearing
46CS420ERN38	46CR420ERN38	4	2	325	5-5/8	3-1/8	38
46CS520ERN38	46CR520ERN38	5	2	475	6-1/2	3-3/4	38
46CS620ERN38	46CR620ERN38	6	2	500	7-1/2	4-1/2	38
46CS820ERN38	46CR820ERN38	8	2	600	9-1/2	6-5/16	38

NY/MD
WHEELS

NYLACRON™ WHEELS

- Precision Machined from Cast Polyamide. Hardness 112-120 Rockwell R
- Ultimate choice for Extremely High Load applications to replace metallic wheels
- Offer very high abrasion resistance and very low rolling resistance under extreme loads

- Resistant to salt, grease, alcohol and mild acids - can be used in corrosive applications with appropriate bearings
- Precision Ball Bearings
- Temperature Range: -40°F to +270°F



Part Number Swivel Caster	Part Number Rigid Caster	Wheel Diameter (inch)	Tread Width (inch)	Load Capacity (lbs)	Overall Height (inch)	Swivel Radius (inch)	Precision Bearing
46CS420NYMD	46CR420NYMD	4	2	2000	5-5/8	3-3/16	38
46CS520NYMD	46CR520NYMD	5	2	2000	6-1/2	3-7/8	38
46CS620NYMD	46CR620NYMD	6	2	2000	7-1/2	4-9/16	38
46CS820NYMD	46CR820NYMD	8	2	2000	9-1/2	6	38

**TUA
WHEELS****POLYURETHANE ON ALUMINUM FLAT TREAD**

- High Tech grade polyurethane tread
- 85 Durometer Shore (A) deflects debris
- Non-marking and rolls effortlessly
- Multi-year tread durability
- Temp Range: -40°F to +180°F

Part Number Swivel Caster	Part Number Rigid Caster	Wheel Diameter (inch)	Tread Width (inch)	Load Capacity (lbs)	Overall Height (inch)	Swivel Radius (inch)	Precision Bearing
46CS620TUA63	46CR620TUA63	6	2	1500	7-1/2	4-1/2	63
46CS820TUA63	46CR820TUA63	8	2	2000	9-1/2	6-5/16	63
46CS820TUA64	46CR820TUA64	8	2	2000	9-1/2	6-5/16	64

**DUA
WHEELS****POLYURETHANE ON ALUMINUM DONUT TREAD**

- High Tech grade polyurethane tread
- 85 Durometer Shore (A) deflects debris
- Non-marking and rolls effortlessly
- Multi-year tread durability
- Temp Range: -40°F to +180°F

Part Number Swivel Caster	Part Number Rigid Caster	Wheel Diameter (inch)	Tread Width (inch)	Load Capacity (lbs)	Overall Height (inch)	Swivel Radius (inch)	Precision Bearing
46CS420DUA63	46CR420DUA63	4	2	1000	5-5/8	3-1/8	63
46CS520DUA63	46CR520DUA63	5	2	1200	6-1/2	3-3/4	63
46CS620DUA63	46CR620DUA63	6	2	1500	7-1/2	4-1/2	63
46CS820DUA63	46CR820DUA63	8	2	2000	9-1/2	6-5/16	63

**NG
WHEELS****NYLON GLASS-FILLED**

- 85 Durometer Shore (A)
- Impervious to most chemicals, solvents, oil, salt, alkalines and water
- Use metal only bearing components for temperatures over 180°F
- Hi Temp: +490°F continuous, +550°F intermittent (part # TMA)

Part Number Swivel Caster	Part Number Rigid Caster	Wheel Diameter (inch)	Tread Width (inch)	Load Capacity (lbs)	Overall Height (inch)	Swivel Radius (inch)	Precision Bearing
46CS420NG38	46CR420NG38	4	2	800	5-5/8	3-1/8	38
46CS520NG38	46CR520NG38	5	2	1000	6-1/2	3-3/4	38
46CS620NG38	46CR620NG38	6	2	1200	7-1/2	4-1/2	38
46CS820NG38	46CR820NG38	8	2	1400	9-1/2	6-5/16	38

**PPU
WHEELS****POLYURETHANE ON POLYOLEFIN**

- Injection Molded Polyurethane Tread mechanically bonded to polyolefin core
- 90-95 Durometer Shore (A) Polyurethane Tread mechanically bonded to polyolefin core
- High capacity and lightweight
- Resist oil, grease, water and most solvents
- Smooth rolling and quiet
- Non-marking
- Temp Range: -45°F to +180°F

Part Number Swivel Caster	Part Number Rigid Caster	Wheel Diameter (inch)	Tread Width (inch)	Load Capacity (lbs)	Overall Height (inch)	Swivel Radius (inch)	Precision Bearing
46CS420PPU38	46CR420PPU38	4	2	700	5-5/8	3-1/8	38
46CS520PPU38	46CR520PPU38	5	2	750	6-1/2	3-3/4	38
46CS620PPU38	46CR620PPU38	6	2	900	7-1/2	4-1/2	38
46CS820PPU38	46CR820PPU38	8	2	1000	9-1/2	6-5/16	38



4 27/FT/28 SERIES KINGPIN CASTERS



**FOOT OPERATED
FLOOR LOCK
4PSL27**



**DUAL PEDAL
TOTAL LOCK
DT***



**FRONT DUAL PEDAL
ADJUSTABLE TOTAL
LOCKING CASTERS
FT***



**TECH-LOCK
PEDAL BRAKE
H***



**TOP-LOCK
BRAKE
T***

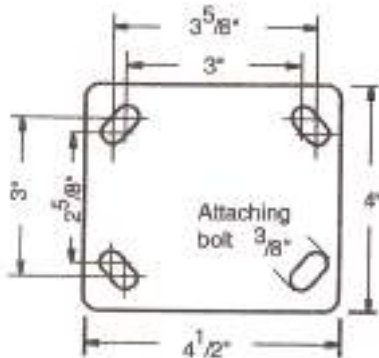


**RACEWAY SEALS
Thermo - plastic
up to 140° F
L***

***ADD TO SWIVEL OR TOTAL LOCK RIGS.
ALL SWIVEL SECTIONS ARE SEALED.**

1,250 LBS. LOAD CAPACITY FORGED KINGPIN TYPE CASTERS

- Double ball raceway offer smooth swiveling action, strength and long service life.
- Standard 5/8" nut & bolt kingpin
- 1/4" thick cold rolled steel; designed, formed and welded for optimal mobility.
- Zinc plated finish is attractive & corrosion resistant.
- Zerk grease fitting in raceway & axle for maintenance.



**STANDARD TOP PLATE
4 X 4-1/2**

**BOLT HOLE CENTER
2-5/8 X 3-5/8
SLOTTED TO 3 X 3**

**ATTACHING BOLT SIZE
3/8**

**OPTIONAL TOP PLATE 20
5 X 5-1/2**

**BOLT HOLE CENTER
4-1/8 X 4-1/2**

**ATTACHING BOLT SIZE
3/8**

**ALL WHEELS
AVAILABLE WITH
PRECISION
BALL BEARINGS
STANDARD**

**MU
WHEELS****POLYURETHANE ON GLASS-FILLED NYLON**

- Polyurethane elastomer tread chemically bonded to an ultra-strong
- Offers a smooth effortless ride, is non-marking and protects floors
- Resist compression set or “flat spotting,” has exceptional impact strength and good abrasion resistance

- Non-metal materials will not rust
- Color: green
- Durometer: 95 Shore A +/-5
- Temp Range: -45°F to +180°F



Part Number Swivel Caster	Part Number Swivel with Total Lock*	Part Number Rigid Caster	Wheel Diameter (inch)	Tread Width (inch)	Load Capacity (lbs)	Overall Height (inch)	Swivel Radius (inch)	Swivel Radius w/Total Lock (inch)	Swivel Radius w/Wheel Brake (inch)
27MU40JN63	FTMU40JN63	28MU40JN63	4	2	700	5-5/8	3-3/16	4	8-1/2
27MU50JN63	FTMU50JN63	28MU50JN63	5	2	1000	6-1/2	3-7/8	4	9-1/2
27MU60JN63	FTMU60JN63	28MU60JN63	6	2	1200	7-1/2	4-9/16	6	10
27MU80JN63	FTMU80JN63	28MU80JN63	8	2	1400	9-1/2	6	6	11-1/2

**PM
WHEELS****POLYURETHANE ON POLYOLEFIN**

- High performance UV resistant, liquid cast polyurethane elastomer; mechanically locked onto an injection molded polyolefin core; takes more abuse and has a longer service life than standard PP wheels
- 1-1/4" wide wheels are maroon or gray, with sanitary style (no thread guards) dished out core and dual row annular ball bearings, offering improved mobility and stability

- Axle can be completely tightened without binding the bearings. 2" wide wheels have a dark gray tread on a grey core
- Durometer: 60 Shore D +/-5
- Temp Range: -45°F to +180°F

Optional

No seam style available (for upcharge): No seam on the wheel tread reduces the possibility of leaving indentations of soft floors (wood, linoleum, etc)



Part Number Swivel Caster	Part Number Swivel with Total Lock*	Part Number Rigid Caster	Wheel Diameter (inch)	Tread Width (inch)	Load Capacity (lbs)	Overall Height (inch)	Swivel Radius (inch)	Swivel Radius w/Total Lock (inch)	Swivel Radius w/Wheel Brake (inch)
27PM40JI63	FTPM40JI63	28PM40JI63	4	2	600	5-5/8	3-3/16	4	8-1/2
27PM50JI63	FTPM50JI63	28PM50JI63	5	2	750	6-1/2	3-7/8	4	9-1/2
27PM60JI63	FTPM60JI63	28PM60JI63	6	2	900	7-1/2	4-9/16	6	10
27PM80JI63	FTPM80JI63	28PM80JI63	8	2	1000	9-1/2	6	6	11-1/2

**HU
WHEELS****HEAVY DUTY SOLID ELASTOMER WHEEL**

- Super strength solid cast polyurethane elastomer one piece design with mechanically locked glass filled nylon bearing collar, offers the best durability and performance of any elastomer type wheel on the market
- Precision Ball Bearings
- 100% washable, steam cleanable, chemical resistant

- Extreme impact strength and abrasion and compression resistance, will not flat spot when used within capacity rating
- Offers a smooth ergonomic ride; easy start up
- Color: grey with black core/bearing collar
- Durometer: 68 Shore D +/-5
- Temp Range: -50°F to +180°F



Part Number Swivel Caster	Part Number Swivel with Total Lock*	Part Number Rigid Caster	Wheel Diameter (inch)	Tread Width (inch)	Load Capacity (lbs)	Overall Height (inch)	Swivel Radius (inch)	Swivel Radius w/Total Lock (inch)	Swivel Radius w/Wheel Brake (inch)
27HU40JI63	FTHU40JI63	28HU40JI63	4	2	1000	5-5/8	3-3/16	4	8-1/2
27HU50JI63	FTHU50JI63	28HU50JI63	5	2	1400	6-1/2	3-7/8	4	9-1/2
27HU60JI63	FTHU60JI63	28HU60JI63	6	2	1700	7-1/2	4-9/16	6	10
27HU80JI63	FTHU80JI63	28HU80JI63	8	2	2000	9-1/2	6	6	11-1/2

**SU
WHEELS****SOLID POLYURETHANE**

- Solid cast polyurethane elastomer one piece design eliminates bonding failures and is a very reliable and durable wheel
- 100% washable & steam cleanable; not affected by grease, oils, most chemicals & cleaning solutions, brine and blood
- Flanged Precision Ball Bearings

- Offers a smooth effortless ride, is non-marking and protects floors
- Resists compression set or "flat spotting," has exceptional impact strength and is highly abrasion resistant
- Color: blue
- Durometer: 60 Shore D +/-5
- Temp Range: -50°F to +180°F



Part Number Swivel Caster	Part Number Swivel with Total Lock*	Part Number Rigid Caster	Wheel Diameter (inch)	Tread Width (inch)	Load Capacity (lbs)	Overall Height (inch)	Swivel Radius (inch)	Swivel Radius w/Total Lock (inch)	Swivel Radius w/Wheel Brake (inch)
27SU40JL60	FTSU40JL60	28SU40JL60	4	2	750	5-5/8	3-3/16	4	8-1/2
27SU50JL60	FTSU50JL60	28SU50JL60	5	2	900	6-1/2	3-7/8	4	9-1/2
27SU60JL60	FTSU60JL60	28SU60JL60	6	2	1000	7-1/2	4-9/16	6	10
27SU80JL60	FTSU80JL60	28SU80JL60	8	2	1000	9-1/2	6	6	11-1/2

**TP
WHEELS****THERMOPLASTIC RUBBER CROWN TREAD ON POLYOLEFIN CORE.**

- Non-marking thermoplastic rubber tread is permanently bonded to polyolefin core
- Shock absorbing cushioned ride offers floor protection and quiet rolling operation
- Offers good stability at low temperatures
- Resistant to cleaning chemicals, acids, alcohol, water, and is excellent for wash down applications & outdoor use, UV resistant

- Offers a smooth effortless ride, is non-marking and protects floors
- Flat tread wheels offer maximum durability at rated capacities; while round tread wheels offer an easy rolling ergonomic ride; reduced tread surface area also enables improved swiveling capabilities and turning mobility
- Color: grey or black tread
- Durometer: 75 Shore A +/-5
- Temp Range: -40°F to +180°F



Part Number Swivel Caster	Part Number Swivel with Total Lock*	Part Number Rigid Caster	Wheel Diameter (inch)	Tread Width (inch)	Load Capacity (lbs)	Overall Height (inch)	Swivel Radius (inch)	Swivel Radius w/Total Lock (inch)	Swivel Radius w/Wheel Brake (inch)
27TP40JX63	FTTP40JX63	28TP40JX63	4	2	300	5-5/8	3-3/16	4	8-1/2
27TP50JX63	FTTP50JX63	28TP50JX63	5	2	350	6-1/2	3-7/8	4	9-1/2
27TP60JX63	FTTP60JX63	28TP60JX63	6	2	500	7-1/2	4-9/16	6	10
27TP80JX63	FTTP80JX63	28TP80JX63	8	2	600	9-1/2	6	6	11-1/2

**TP
WHEELS****THERMOPLASTIC RUBBER FLAT TREAD ON POLYOLEFIN CORE.**

- Non-marking thermoplastic rubber tread is permanently bonded to polyolefin core
- Shock absorbing cushioned ride offers floor protection and quiet rolling operation
- Offers good stability at low temperatures
- Resistant to cleaning chemicals, acids, alcohol, water, and is excellent for wash down applications & outdoor use, UV resistant

- Offers a smooth effortless ride, is non-marking and protects floors
- Flat tread wheels offer maximum durability at rated capacities; while round tread wheels offer an easy rolling ergonomic ride; reduced tread surface area also enables improved swiveling capabilities and turning mobility
- Color: grey or black tread
- Durometer: 75 Shore A +/-5
- Temp Range: -40°F to +180°F



Part Number Swivel Caster	Part Number Swivel with Total Lock*	Part Number Rigid Caster	Wheel Diameter (inch)	Tread Width (inch)	Load Capacity (lbs)	Overall Height (inch)	Swivel Radius (inch)	Swivel Radius w/Total Lock (inch)	Swivel Radius w/Wheel Brake (inch)
27TP40JI63	FTTP40JI63	28TP40JI63	4	2	300	5-5/8	3-3/16	4	8-1/2
27TP50JI63	FTTP50JI63	28TP50JI63	5	2	350	6-1/2	3-7/8	4	9-1/2
27TP60JI63	FTTP60JI63	28TP60JI63	6	2	500	7-1/2	4-9/16	6	10
27TP80JI63	FTTP80JI63	28TP80JI63	8	2	600	9-1/2	6	6	11-1/2

4 27/FT/28 SERIES KINGPIN CASTERS

RA RUBBER MOLD ON ALUMINUM

WHEELS

- Rubber tread vulcanized to aluminum core
- Offer shock absorbing cushioned ride, rolls over debris, offers floor protection & quiet rolling operation

- Aluminum core has a strong attractive appearance, is lightweight and is resistant to rust and corrosion
- Color: grey or black tread
- Durometer: 80 Shore A +/-5
- Temp Range: -40°F to +160°F



Part Number Swivel Caster	Part Number Swivel with Total Lock*	Part Number Rigid Caster	Wheel Diameter (inch)	Tread Width (inch)	Load Capacity (lbs)	Overall Height (inch)	Swivel Radius (inch)	Swivel Radius w/Total Lock (inch)	Swivel Radius w/Wheel Brake (inch)
27RA40JB60	FT27RA40JB60	28RA40JB60	4	2	400	5-5/8	3-3/16	4	8-1/2
27RA50JB60	FT27RA50JB60	28RA50JB60	5	2	500	6-1/2	3-7/8	4	9-1/2
27RA60JB60	FT27RA60JB60	28RA60JB60	6	2	550	7-1/2	4-9/16	6	10

NR RUBBER ON GLASS-FILLED NYLON

WHEELS

- Soft rubber tread is molded over hard rubber core
- Shock absorbing cushioned ride and offers floor protection & quiet rolling operation
- Nylon bearing sleeve molded into wheel core, offers improved roll-ability

- Precision Ball Bearing Flanged.
- Color: black.
- Durometer: 80 Shore A +/-5
- Temp Range: -40°F to +180°F



Part Number Swivel Caster	Part Number Swivel with Total Lock*	Part Number Rigid Caster	Wheel Diameter (inch)	Tread Width (inch)	Load Capacity (lbs)	Overall Height (inch)	Swivel Radius (inch)	Swivel Radius w/Total Lock (inch)	Swivel Radius w/Wheel Brake (inch)
27NR40IB60	FTNR40IB60	28NR40IB60	4	2	400	5-5/8	3-3/16	4	8-1/2
27NR50IB60	FTNR50IB60	28NR50IB60	5	2	450	6-1/2	3-7/8	4	9-1/2
27NR60IB60	FTNR60IB60	28NR60IB60	6	2	550	7-1/2	4-9/16	6	10
27NR80IB60	FTNR80IB60	28NR80IB60	8	2	600	9-1/2	6	6	11-1/2

PU POLYURETHANE ON STEEL

WHEELS

- Polyurethane elastomer tread chemically bonded to cast iron core
- Offers higher weight capacities while providing good floor protection and quiet rolling operation
- Sealed Precision Ball Bearing with Top Hats

- Works well in both indoor and outdoor environments; however cast iron core can rust; if this is an issue, look at using aluminum wheels.
- Durometer: 95 Shore A +/-5
- Temp Range: -40°F to +180°F



Part Number Swivel Caster	Part Number Swivel with Total Lock*	Part Number Rigid Caster	Wheel Diameter (inch)	Tread Width (inch)	Load Capacity (lbs)	Overall Height (inch)	Swivel Radius (inch)	Swivel Radius w/Total Lock (inch)	Swivel Radius w/Wheel Brake (inch)
27PU40JG63	FTPU40JG63	28PU40JG63	4	2	450	5-5/8	3-3/16	4	8-1/2
27PU40JG63	FTPU40JG63	28PU40JG63	5	2	500	6-1/2	3-7/8	4	9-1/2
27PU40JG63	FTPU40JG63	28PU40JG63	6	2	600	7-1/2	4-9/16	6	10
27PU40JG63	FTPU40JG63	28PU40JG63	8	2	700	9-1/2	6	6	11-1/2

**PO
WHEELS****POLYOLEFIN**

- Solid injection molded polyolefin wheel construction
- High shock load, impact & abrasion resistant
- Economical & lightweight, yet offer high weight capacities
- Sealed Precision Ball Bearing Flanged

- 100% washable; impervious to water, highly resistant to organic solvents, oil, grease, most chemicals, acids & cleaning solutions
- Color: black or white tread
- Durometer: 70 Shore D +/-5
- Temp Range: -40°F to +180°F



Part Number Swivel Caster	Part Number Swivel with Total Lock*	Part Number Rigid Caster	Wheel Diameter (inch)	Tread Width (inch)	Load Capacity (lbs)	Overall Height (inch)	Swivel Radius (inch)	Swivel Radius w/Total Lock (inch)	Swivel Radius w/Wheel Brake (inch)
27PO40JB60	FTPO40JB60	28PO40JB60	4	2	700	5-5/8	3-3/16	4	8-1/2
27PO50JB60	FTPO50JB60	28PO50JB60	5	2	900	6-1/2	3-7/8	4	9-1/2
27PO60JB60	FTPO60JB60	28PO60JB60	6	2	1000	7-1/2	4-9/16	6	10
27PO80JB60	FTPO80JB60	28PO80JB60	8	2	1200	9-1/2	6	6	11-1/2

**PA
WHEELS****POLYURETHANE ON ALUMINUM FLAT TREAD**

- Polyurethane elastomer tread chemically bonded to a light-weight aluminum core
- Aluminum core has a strong attractive appearance, is lightweight and is resistant to rust and corrosion
- Sealed Precision Ball Bearing Flanged

- 100% washable; impervious to water, highly resistant to organic solvents, oil, grease, most chemicals, acids & cleaning solutions
- Color: red, green & blue
- Durometer: 95 Shore A +/-5
- Temp Range: -40°F to +180°F



Part Number Swivel Caster	Part Number Swivel with Total Lock*	Part Number Rigid Caster	Wheel Diameter (inch)	Tread Width (inch)	Load Capacity (lbs)	Overall Height (inch)	Swivel Radius (inch)	Swivel Radius w/Total Lock (inch)	Swivel Radius w/Wheel Brake (inch)
27PA40JN60	FTPA40JN60	28PA40JN60	4	2	800	5-5/8	3-3/16	4	8-1/2
27PA50JN60	FTPA50JN60	28PA50JN60	5	2	900	6-1/2	3-7/8	4	9-1/2
27PA60JN60	FTPA60JN60	28PA60JN60	6	2	1200	7-1/2	4-9/16	6	10
27PA80JN60	FTPA80JN60	28PA80JN60	8	2	1500	9-1/2	6	6	11-1/2

**MA
WHEELS****NYLON GLASS-FILLED**

- Injection molded, 30% glass filled nylon wheel; has the same weight capacity of steel, yet incredibly light-weight
- 100% washable & steam cleanable, not affected by grease, oil, most chemicals & cleaning solutions, salt, brine & blood
- Sealed Precision Ball Bearing with Top Hat Bushings

- Extreme impact strength, good abrasion and compression resistance, will not flat spot.
- Offers a smooth ergonomic ride; requires less effort to start up and maintain a rolling load
- Durometer: 85 Shore D +/-5
- Temp Range: -40°F to +250°F



Part Number Swivel Caster	Part Number Swivel with Total Lock*	Part Number Rigid Caster	Wheel Diameter (inch)	Tread Width (inch)	Load Capacity (lbs)	Overall Height (inch)	Swivel Radius (inch)	Swivel Radius w/Total Lock (inch)	Swivel Radius w/Wheel Brake (inch)
27MA40JB63	FTMA40JB63	28MA40JB63	4	2	800	5-5/8	3-3/16	4	8-1/2
27MA50JB63	FTMA50JB63	28MA50JB63	5	2	1000	6-1/2	3-7/8	4	9-1/2
27MA60JB63	FTMA60JB63	28MA60JB63	6	2	1200	7-1/2	4-9/16	6	10
27MA80JB63	FTMA80JB63	28MA80JB63	8	2	1250	9-1/2	6	6	11-1/2

**BC
WHEELS****RUBBER ON ALUMINUM**

- High modulus quality rubber tread vulcanized to aluminum core
- Rounded balloon cushion tread offers the best shock absorbing cushioned ride available, easily rolls over debris and small obstructions (electrical cords, floor joint, etc), offers maximum floor protection, high impact strength and ultra quiet rolling operation

- Sealed Precision Ball Bearing with Top Hat Bushings
- High modulus round tread minimizes surface friction and enables wheel to turn easily
- Gray or black tread colors are available; gray tread is non-marking
- Durometer: 60 Shore A +/-5
- Temp Range: -40°F to +180°F



Part Number Swivel Caster	Part Number Swivel with Total Lock*	Part Number Rigid Caster	Wheel Diameter (inch)	Tread Width (inch)	Load Capacity (lbs)	Overall Height (inch)	Swivel Radius (inch)	Swivel Radius w/Total Lock (inch)	Swivel Radius w/Wheel Brake (inch)
27BC60J63	FTBC60J63	28BC60J63	6	2	350	7-1/2	4-9/16	6	10
27BC80J63	FTBC80J63	28BC80J63	8	2	450	9-1/2	6	6	11-1/2

**UA
WHEELS****RUBBER ON ALUMINUM**

- Uniquely formulated "Flex Compound" polyurethane elastomer is chemically and mechanically bonded to a precision aluminum core; double bonding helps prevent tread separation and assures reliable mobility
- Combination of the round tread and sealed precision ball bearings minimizes surface friction, enables wheel to turn easily and requires less effort to startup and maintain a rolling load

- Sealed Precision Ball Bearing with Top Hat Bushings
- Offers a semi-cushioned ride, is non-marking and is capable of rolling over debris (metal shavings, door & floor joints, etc.)
- Great for manual or power assisted (towline) applications
- Durometer: 85 Shore A +/-5
- Temp Range: -40°F to +180°F



Part Number Swivel Caster	Part Number Swivel with Total Lock*	Part Number Rigid Caster	Wheel Diameter (inch)	Tread Width (inch)	Load Capacity (lbs)	Overall Height (inch)	Swivel Radius (inch)	Swivel Radius w/Total Lock (inch)	Swivel Radius w/Wheel Brake (inch)
27UA60JN63	FTUA60JN63	28UA60JN63	6	2	900	7-1/2	4-9/16	6	10
27UA80JN63	FTUA80JN63	28UA80JN63	8	2	1000	9-1/2	6	6	11-1/2

**CP
WHEELS****POLYURETHANE ON ELASTOMER TREAD**

- 1-3/16" thick ultra-flex compound polyurethane elastomer tread chemically bonded to a mag style aluminum core, sets a new standard in high quality wheels; maximizing load capacity, shock load, and vibration stabilization
- Combination of the thick ultra-flex tread and oversized sealed precision ball bearings minimizes rolling resistance

- Sealed Precision Ball Bearing with Top Hat Bushings
- Elastic properties of ultra-flex tread provide excellent abrasion resistance and a cushioned ride that easily rolls over debris and small obstructions. Offers maximum floor protection, high impact strength and ultra quiet rolling operation
- Great for manual or power assisted applications
- Color: green
- Durometer: 70 Shore A +/-5
- Temp Range: -40°F to +180°F



Part Number Swivel Caster	Part Number Swivel with Total Lock*	Part Number Rigid Caster	Wheel Diameter (inch)	Tread Width (inch)	Load Capacity (lbs)	Overall Height (inch)	Swivel Radius (inch)	Swivel Radius w/Total Lock (inch)	Swivel Radius w/Wheel Brake (inch)
27CP60JN64	FTCP60JN64	28CP60JN64	6	2	1200	7-1/2	4-9/16	6	10
27CP80JN64	FTCP80JN64	28CP80JN64	8	2	1500	9-1/2	6	6	11-1/2

**PH
WHEELS****PHENOLIC**

- Phenolic resin mixed with macerated canvas; creates a high capacity, high impact resistant wheel that has many years of proven reliability in the industry
- Hard tread rolls easily, provides good concrete floor protection and is quieter than steel wheels
- Sealed Precision Ball Bearing Flanged

- Resistant to oil, grease & solvents, non-metallic and non-sparking
- Economically priced wheel
- Zerk fitting are not standard, but available upon request
- Durometer: 90 Shore D +/-5
- Temp Range: -50°F to +250°F



Part Number Swivel Caster	Part Number Swivel with Total Lock*	Part Number Rigid Caster	Wheel Diameter (inch)	Tread Width (inch)	Load Capacity (lbs)	Overall Height (inch)	Swivel Radius (inch)	Swivel Radius w/Total Lock (inch)	Swivel Radius w/Wheel Brake (inch)
27PH34JB60	FTPH34JB60	28PH34JB60	3-1/4	2	700	4-1/4	1-3/4	4	8-1/2
27PH40JB60	FTPH40JB60	28PH40JB60	4	2	800	5-5/8	3-3/16	4	8-1/2
27PH50JB60	FTPH50JB60	28PH50JB60	5	2	1000	6-1/2	3-7/8	4	9-1/2
27PH60JB60	FTPH60JB60	28PH60JB60	6	2	1200	7-1/2	4-9/16	6	10
27PH80JB60	FTPH80JB60	28PH80JB60	8	2	1250	9-1/2	6	6	11-1/2

HI-TEMP PHENOLIC +550°F intermittent (part# TPH)

- Stainless Steel Roller Bearing.

Part Number Swivel Caster	Part Number Swivel with Total Lock*	Part Number Rigid Caster	Wheel Diameter (inch)	Tread Width (inch)	Load Capacity (lbs)	Overall Height (inch)	Swivel Radius (inch)	Swivel Radius w/Total Lock (inch)	Swivel Radius w/Wheel Brake (inch)
27HT40JB05	FTHT40JB05	28HT40JB05	4	2	800	5-5/8	3-3/16	4	8-1/2
27HT50JB05	FTHT50JB05	28HT50JB05	5	2	1000	6-1/2	3-7/8	4	9-1/2
27HT60JB05	FTHT60JB05	28HT60JB05	6	2	1200	7-1/2	4-9/16	6	10
27HT80JB05	FTHT80JB05	28HT80JB05	8	2	1250	9-1/2	6	6	11-1/2

**SW
WHEELS****POLYURETHANE ON ELASTOMER TREAD**

- Crowned polyurethane elastomer tread chemically bonded to a solid heavy-duty cast iron core
- Combination of crowned tread and heavy core, offers higher weight capacities, durability and greater mobility
- Sealed Precision Ball Bearings

- Provides good floor protection and quiet rolling operation
- Color: dark blue on black
- Durometer: 95 Shore D +/-5
- Temp Range: -40°F to +180°F



Part Number Swivel Caster	Part Number Swivel with Total Lock*	Part Number Rigid Caster	Wheel Diameter (inch)	Tread Width (inch)	Load Capacity (lbs)	Overall Height (inch)	Swivel Radius (inch)	Swivel Radius w/Total Lock (inch)	Swivel Radius w/Wheel Brake (inch)
27SW60JU63	FTSW60JU63	28SW60JU63	6	2	1400	7-1/2	4-9/16	6	10
27SW80JU63	FTSW80JU63	28SW80JU63	8	2	1500	9-1/2	6	6	11-1/2

4 27/FT/28 SERIES KINGPIN CASTERS

RP WHEELS

ROUND TREAD POLYURETHANE ON CAST IRON CORE

- Uniquely formulated “Flex Compound” polyurethane elastomer is chemically bonded to heavy cast iron core
- Combination of the round tread and sealed precision ball bearings minimizes surface friction, enables wheel to turn easily and requires less effort to startup and maintain a rolling load

- Sealed Precision Ball Bearing with Top Hat Bushings
- Offers a semi-cushioned ride, is non-marking and is capable of rolling over debris (metal shavings, door & floor joints, etc.)
- Color: gray & black.
- Durometer: 80 Shore A +/-5
- Temp Range: -40°F to +180°F



Part Number Swivel Caster	Part Number Swivel with Total Lock*	Part Number Rigid Caster	Wheel Diameter (inch)	Tread Width (inch)	Load Capacity (lbs)	Overall Height (inch)	Swivel Radius (inch)	Swivel Radius w/Total Lock (inch)	Swivel Radius w/Wheel Brake (inch)
27RP40JK63	FTRP40JK63	28RP40JK63	4	2	700	5-5/8	3-3/16	4	8-1/2
27RP50JK63	FTRP50JK63	28RP50JK63	5	2	800	6-1/2	3-7/8	4	9-1/2
27RP60JK63	FTRP60JK63	28RP60JK63	6	2	900	7-1/2	4-9/16	6	10
27RP80JK63	FTRP80JK63	28RP80JK63	8	2	1000	9-1/2	6	6	11-1/2

RH WHEELS

SUPREME RUBBER ON CAST IRON CORE

- High quality supreme rubber tread with a tensile strength of 1200 to 1400 PSI, vulcanized to a solid heavy duty cast iron core
- Upgraded tread material, core design and bearings; provide the perfect combination needed for use on tow lines and other demanding applications that normal mold-on rubber wheels may not be able to withstand

- Sealed Precision Ball Bearing with Top Hat Bushings
- Offers a shock absorbing semi-cushioned ride, rolls over small debris, uneven surfaces, cracks floor joints, etc
- Provides good floor protection and quiet rolling operation
- Durometer: 75 Shore A +/-5
- Temp Range: -40°F to +180°F



Part Number Swivel Caster	Part Number Swivel with Total Lock*	Part Number Rigid Caster	Wheel Diameter (inch)	Tread Width (inch)	Load Capacity (lbs)	Overall Height (inch)	Swivel Radius (inch)	Swivel Radius w/Total Lock (inch)	Swivel Radius w/Wheel Brake (inch)
27RH60JS63	FTRH60JS63	28RH60JS63	6	2	700	7-1/2	4-9/16	6	10
27RH80JS63	FTRH80JS63	28RH80JS63	8	2	800	9-1/2	6	6	11-1/2

31/32/TS SERIES KINGPIN STAINLESS STEEL CASTERS



SWIVEL CASTER AND TOTAL LOCK STAINLESS STEEL CASTER WITH KR WHEEL
Add TL to swivel caster number



STAINLESS STEEL FOOT ACTIVATED SWIVEL LOCK



TECH-LOCK PEDAL BRAKE
H



TOP-LOCK BRAKE
T

OPTION RACEWAY SEALS



L
Thermo - plastic
up to 140° F

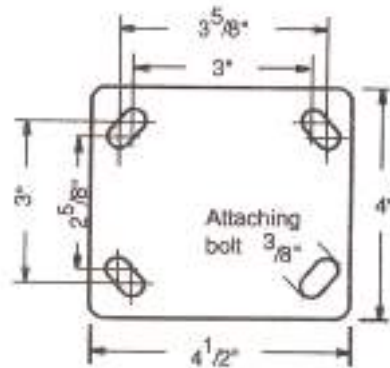


H
H.T. Neoprene
up to 380° F

***ADD TO SWIVEL OR TOTAL LOCK RIGS.
ALL SWIVEL SECTIONS ARE SEALED.**

1,250 LBS. LOAD CAPACITY STAINLESS STEEL TYPE CASTERS

- All metal parts made from 304 Stainless Steel 100% washable
- Double Ball Raceway offers smooth swiveling action, strength and long service life.
- Wash down, high temperature autoclavable wheels
- 1/4" Thick Fork Legs Robotically welded 2 1/2" spacing
- Kingpin 5/8" nut & bolt
- 1/2" Wheel axle
- Stainless Steel Precision Ball Bearings
- Polished Stainless Steel Rig available add "P"



TOP PLATE
4 X 4-1/2

BOLT HOLE CENTER
2-5/8 X 3-5/8
SLOTTED TO
3 X 3

ATTACHING BOLT SIZE
3/8

ALL WHEELS AVAILABLE WITH STAINLESS STEEL ROLLER BEARINGS OR DELRIN BUSHING

NY/MD
WHEELS

NYLACRON™ WHEELS

- Precision Machined from Cast Polyamide. Hardness 112-120 Rockwell R
- Ultimate choice for Extremely High Load applications to replace metallic wheels
- Offer very high abrasion resistance and very low rolling resistance under extreme loads

- Resistant to salt, grease, alcohol and mild acids - can be used in corrosive applications with appropriate bearings
- Stainless Steel Precision Ball Bearings
- Temperature Range: -40°F to +270°F



Part Number Swivel Caster	Part Number Swivel with Total Lock	Part Number Rigid Caster	Wheel Diameter (inch)	Tread Width (inch)	Load Capacity (lbs)	Overall Height (inch)	Swivel Radius (inch)	Swivel Radius w/Total Lock (inch)	Swivel Radius w/Wheel Brake (inch)
31SS42NYMD	32SS42NYMDTL	TSSS42NYMD	4	2	1250	5-5/8	3-3/16	4	8-1/2
31SS52NYMD	32SS52NYMDTL	TSSS52NYMD	5	2	1250	6-1/2	3-7/8	4	9-1/2
31SS62NYMD	32SS62NYMDTL	TSSS62NYMD	6	2	1250	7-1/2	4-9/16	6	10
31SS82NYMD	32SS82NYMDTL	TSSS82NYMD	8	2	1250	9-1/2	6	6	11-1/2

NY/MC
WHEELS

NYLACRON™ WHEELS WHITE

- Precision Machined from Cast Polyamide. Hardness 112-120 Rockwell R
- Ultimate choice for Extremely High Load applications to replace metallic wheels
- Offer very high abrasion resistance and very low rolling resistance under extreme loads

- Resistant to salt, grease, alcohol and mild acids - can be used in corrosive applications with appropriate bearings
- Stainless Steel Precision Ball Bearings
- Temperature Range: -40°F to +270°F



Part Number Swivel Caster	Part Number Swivel with Total Lock	Part Number Rigid Caster	Wheel Diameter (inch)	Tread Width (inch)	Load Capacity (lbs)	Overall Height (inch)	Swivel Radius (inch)	Swivel Radius w/Total Lock (inch)	Swivel Radius w/Wheel Brake (inch)
31SS42NYMC	32SS42NYMCTL	TSSS42NYMC	4	2	1250	5-5/8	3-3/16	4	8-1/2
31SS52NYMC	32SS52NYMCTL	TSSS52NYMC	5	2	1250	6-1/2	3-7/8	4	9-1/2
31SS62NYMC	32SS62NYMCTL	TSSS62NYMC	6	2	1250	7-1/2	4-9/16	6	10
31SS82NYMC	32SS82NYMCTL	TSSS82NYMC	8	2	1250	9-1/2	6	6	11-1/2

NN
WHEELS

NYLON WHEELS

- Injection molded from Nylon 6
- 100% washable & steam cleanable; impervious to water, highly resistant to organic solvents, most chemicals & cleaning solutions; ideal for use in food processing and packaging plants
- Offer high impact strength and exception abrasion resistance

- Hard tread has slight crown and rolls very easily
- Non-marking
- Durometer: 75 Shore D (+/-5)
- Stainless Steel Precision Ball Bearings
- Temperature Range: -40°F to +180°F
- Available in Anti-Static add "AS"



Part Number Swivel Caster	Part Number Swivel with Total Lock	Part Number Rigid Caster	Wheel Diameter (inch)	Tread Width (inch)	Load Capacity (lbs)	Overall Height (inch)	Swivel Radius (inch)	Swivel Radius w/Total Lock (inch)	Swivel Radius w/Wheel Brake (inch)
31SS42NN	32SS42NNTL	TSSS42NN	4	2	1250	5-5/8	3-3/16	4	8-1/2
31SS52NN	32SS52NNTL	TSSS52NN	5	2	1250	6-1/2	3-7/8	4	9-1/2
31SS62NN	32SS62NNTL	TSSS62NN	6	2	1250	7-1/2	4-9/16	6	10
31SS82NN	32SS82NNTL	TSSS82NN	8	2	1250	9-1/2	6	6	11-1/2

SS
WHEELS

STAINLESS STEEL WHEELS

- Type 304 Stainless Steel
- Non-magnetic & Non-sparking
- Excellent corrosion resistance
- Slightly crowned tread face with rounded corners

- Stainless Steel Precision Ball Bearings
- Temperature Range: 800°F

**Custom Stainless Steel Wheels
made to your specifications**

**V-Groove - VG
Flanged - FL**



Part Number Swivel Caster	Part Number Swivel with Total Lock	Part Number Rigid Caster	Wheel Diameter (inch)	Tread Width (inch)	Load Capacity (lbs)	Overall Height (inch)	Swivel Radius (inch)	Swivel Radius w/Total Lock (inch)	Swivel Radius w/Wheel Brake (inch)
31SS42SS	32SS42SS	TSSS42SS	4	2	1250	5-5/8	3-3/16	4	8-1/2
31SS52SS	32SS52SS	TSSS52SS	5	2	1250	6-1/2	3-7/8	4	9-1/2
31SS62SS	32SS62SS	TSSS62SS	6	2	1250	7-1/2	4-9/16	6	10
31SS82SS	32SS82SS	TSSS82SS	8	2	1250	9-1/2	6	6	11-1/2

SEN
WHEELS

SOLID ELASTOMER WHEEL NYLON CORE

- 70 Shore (D) durometer
- FDA standards for use in food processing environments
- 100% Washable

- Glass-filled nylon core insert endures heat
- High impact and abrasion resistant
- Resists oil, grease, water, and most solvents
- Stainless Steel Precision Ball Bearings
- Temp Range: -50°F to +180°F



Part Number Swivel Caster	Part Number Swivel with Total Lock	Part Number Rigid Caster	Wheel Diameter (inch)	Tread Width (inch)	Load Capacity (lbs)	Overall Height (inch)	Swivel Radius (inch)	Swivel Radius w/Total Lock (inch)	Swivel Radius w/Wheel Brake (inch)
31SS42SEN	32SS42SEN	TSSS42SEN	4	2	900	5-5/8	3-3/16	4	8-1/2
31SS52SEN	32SS52SEN	TSSS52SEN	5	2	900	6-1/2	3-7/8	4	9-1/2
31SS62SEN	32SS62SEN	TSSS62SEN	6	2	900	7-1/2	4-9/16	6	10
31SS82SEN	32SS82SEN	TSSS82SEN	8	2	900	9-1/2	6	6	11-1/2

KR
WHEELS

SOLID POLYURETHANE KRYPTONIC™ WHEELS

- Polyether Polyurethane has excellent carrying capacity.
- Crown shape affords an easy-rolling quiet operation
- Greater service life and resistance to chunking, cutting and abrasive wear

- 100% washable, steam cleanable, and resistant to most chemicals
- Non-marking tread
- Durometer: 58 Shore D (+/-5)
- Stainless Steel Precision Ball Bearings
- **Available in 5" hi-temp gray + 250°F for 5 to 6 hrs. add: "G" after "KR". Example: Y582P1CR/KRG5**



Part Number Swivel Caster	Part Number Swivel with Total Lock	Part Number Rigid Caster	Wheel Diameter (inch)	Tread Width (inch)	Load Capacity (lbs)	Overall Height (inch)	Swivel Radius (inch)	Swivel Radius w/Total Lock (inch)	Swivel Radius w/Wheel Brake (inch)
31SS42KR	32SS42KR	TSSS42KR	4	2	800	5-5/8	3-3/16	4	8-1/2
31SS52KR	32SS52KR	TSSS52KR	5	2	900	6-1/2	3-7/8	4	9-1/2
31SS62KR	32SS62KR	TSSS62KR	6	2	900	7-1/2	4-9/16	6	10
31SS82KR	32SS82KR	TSSS82KR	8	2	900	9-1/2	6	6	11-1/2

OTHER TYPE WHEELS AVAILABLE FOR THIS SERIES:

NYLON FIBERGLASS (NG), NYLACRON™ MD (NY/MD), NYLACRON™ MONOCAST (NY/MC), HIGH TEMP PHENOLIC (TR) AND HEATEATER (HE)
SEE WHEEL SECTION FOR COMPLETE SPECIFICATIONS.

HE
WHEELS

HI-TEMP NYLON WHEELS

- Ideal for speciality applications
- Won't chip, absorbs water or breakdown in caustic environments

- Moderate crown, black finish
- Durometer: 85 Shore D +5
- Stainless Steel Rolling Bearings
- Temperature Range: up to +475°F



Part Number Swivel Caster	Part Number Swivel with Total Lock	Part Number Rigid Caster	Wheel Diameter (inch)	Tread Width (inch)	Load Capacity (lbs)	Overall Height (inch)	Swivel Radius (inch)	Swivel Radius w/Total Lock (inch)	Swivel Radius w/Wheel Brake (inch)
31SS42HEZB03	32SS42HEZB03	TSSS42HEZB03	4	2	800	5-5/8	3-3/16	4	8-1/2
31SS52HEZB03	32SS52HEZB03	TSSS52HEZB03	5	2	1000	6-1/2	3-7/8	4	9-1/2
31SS62HEZB03	32SS62HEZB03	TSSS62HEZB03	6	2	1200	7-1/2	4-9/16	6	10
31SS82HEZB03	32SS82HEZB03	TSSS82HEZB03	8	2	1400	9-1/2	6	6	11-1/2

RW
WHEELS

RETORT POLYPROPYLENE WHEELS

- Designed to withstand the rigors of high temperature
- Oversized bore ID ensures smooth movement even if wheels experience heat expansion

- Moderate crown, white finish
- Durometer: 75 Shore D
- Stainless Steel Rolling Bearings
- Temperature Range: -20°F to +290°F



Part Number Swivel Caster	Part Number Swivel with Total Lock	Part Number Rigid Caster	Wheel Diameter (inch)	Tread Width (inch)	Load Capacity (lbs)	Overall Height (inch)	Swivel Radius (inch)	Swivel Radius w/Total Lock (inch)	Swivel Radius w/Wheel Brake (inch)
31SS42RWZB03	32SS42RWZB03	TSSS42RWZB03	4	2	500	5-5/8	3-3/16	4	8-1/2
31SS52RWZB03	32SS52RWZB03	TSSS52RWZB03	5	2	1250	6-1/2	3-7/8	4	9-1/2
31SS62RWZB03	32SS62RWZB03	TSSS62RWZB03	6	2	1250	7-1/2	4-9/16	6	10
31SS82RWZB03	32SS82RWZB03	TSSS82RWZB03	8	2	1250	9-1/2	6	6	11-1/2

NG
WHEELS

GLASS FILLED NYLON WHEELS

- Injection molded, 30% glass filled nylon wheel
- 100% washable & steam cleanable, not affected by grease, oils, most chemicals & cleaning solutions, salt, brine & blood
- Extreme impact strength, good abrasion and compression resistance

- Offers a smooth ergonomic ride; requires less effort to start up and maintain a rolling load
- Durometer: 85 Shore D (+/-5)
- Stainless Steel Pedestal Precision Ball Bearings
- Temperature Range: -45°F to +250°F up to 3500 F, when used with all metallic bearings and high-temp grease



Part Number Swivel Caster	Part Number Swivel with Total Lock	Part Number Rigid Caster	Wheel Diameter (inch)	Tread Width (inch)	Load Capacity (lbs)	Overall Height (inch)	Swivel Radius (inch)	Swivel Radius w/Total Lock (inch)	Swivel Radius w/Wheel Brake (inch)
31SS42NG	32SS42NG	TSSS42NG	4	2-3/16	800	5-5/8	3-3/16	4	8-1/2
31SS52NG	32SS52NG	TSSS52NG	5	2-3/16	1000	6-1/2	3-7/8	4	9-1/2
31SS62NG	32SS62NG	TSSS62NG	6	2-3/16	1200	7-1/2	4-9/16	6	10
31SS82NG	32SS82NG	TSSS82NG	8	2-3/16	1400	9-1/2	6	6	11-1/2

S34 SERIES KINGPIN HI-GLOSS POLISHED STAINLESS STEEL CASTERS



SWIVEL CASTER
STAINLESS STEEL

TOTAL LOCK
STAINLESS STEEL



CS
SWIVEL CASTER

CR
RIGID CASTER

TL
SWIVEL CASTER
W/TOTAL LOCK
BRAKE

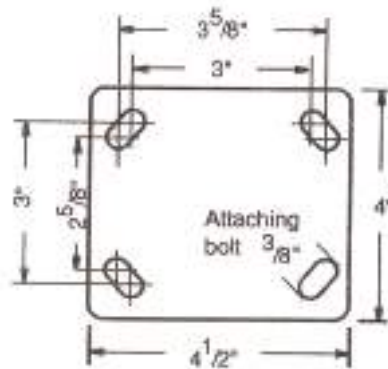
TS
SWIVEL CASTER
W/TOP LOCK
BRAKE

TR
RIGID CASTER
W/TOP LOCK
BRAKE

ADD SUFFIX TO THE END PART NUMBER

1,250 LBS. LOAD CAPACITY STAINLESS STEEL TYPE CASTERS

- Machine welded, High Grade 304 Stainless Steel, providing a caster that is proven to be resistant to oxidation, corrosion, and maintains durability
- Includes Sealed upper and lower raceways
- Hi-Gloss Polished Stainless Finish, developed to withstand harsh environments, while upholding performance and quality



TOP PLATE
4 X 4-1/2

BOLT HOLE CENTER
2-5/8 X 3-5/8
SLOTTED TO
3 X 3

ATTACHING BOLT SIZE
3/8

ALL WHEELS
AVAILABLE WITH
STAINLESS STEEL
ROLLER BEARINGS
OR
DELIN BUSHING

NY/MD
WHEELS

NYLACRON™ WHEELS

- Precision Machined from Cast Polyamide. Hardness 112-120 Rockwell R
- Ultimate choice for Extremely High Load applications to replace metallic wheels
- Offer very high abrasion resistance and very low rolling resistance under extreme loads

- Resistant to salt, grease, alcohol and mild acids - can be used in corrosive applications with appropriate bearings
- Stainless Steel Precision Ball Bearings
- Temperature Range: -40°F to +270°F



Part Number Swivel Caster	Part Number Swivel with Total Lock	Part Number Rigid Caster	Wheel Diameter (inch)	Tread Width (inch)	Load Capacity (lbs)	Overall Height (inch)	Swivel Radius (inch)	Swivel Radius w/Total Lock (inch)	Swivel Radius w/Wheel Brake (inch)
34SS42NYMD	34SS42NYMDTL	34SS42NYMD	4	2	1250	5-5/8	3-15/16	4	8-1/2
34SS52NYMD	34SS52NYMDTL	34SS52NYMD	5	2	1250	6-1/2	3-7/8	4	9-1/2
34SS62NYMD	34SS62NYMDTL	34SS62NYMD	6	2	1250	7-1/2	4-7/8	6	10
34SS82NYMD	34SS82NYMDTL	34SS82NYMD	8	2	1250	9-1/2	6-1/2	6	11-1/2

NY/MC
WHEELS

NYLACRON™ WHEELS WHITE

- Precision Machined from Cast Polyamide. Hardness 112-120 Rockwell R
- Ultimate choice for Extremely High Load applications to replace metallic wheels
- Offer very high abrasion resistance and very low rolling resistance under extreme loads

- Resistant to salt, grease, alcohol and mild acids - can be used in corrosive applications with appropriate bearings
- Stainless Steel Precision Ball Bearings
- Temperature Range: -40°F to +270°F



Part Number Swivel Caster	Part Number Swivel with Total Lock	Part Number Rigid Caster	Wheel Diameter (inch)	Tread Width (inch)	Load Capacity (lbs)	Overall Height (inch)	Swivel Radius (inch)	Swivel Radius w/Total Lock (inch)	Swivel Radius w/Wheel Brake (inch)
34SS42NYMC	34SS42NYMCTL	34SS42NYMC	4	2	1250	5-5/8	3-3/15	4	8-1/2
34SS52NYMC	34SS52NYMCTL	34SS52NYMC	5	2	1250	6-1/2	3-7/8	4	9-1/2
34SS62NYMC	34SS62NYMCTL	34SS62NYMC	6	2	1250	7-1/2	4-7/8	6	10
34SS82NYMC	34SS82NYMCTL	34SS82NYMC	8	2	1250	9-1/2	6-1/2	6	11-1/2

NN
WHEELS

NYLON WHEELS

- Injection molded from Nylon 6
- 100% washable & steam cleanable; impervious to water, highly resistant to organic solvents, most chemicals & cleaning solutions; ideal for use in food processing and packaging plants
- Offer high impact strength and exception abrasion resistance

- Hard tread has slight crown and rolls very easily
- Non-marking
- Durometer: 75 Shore D (+/-5)
- Stainless Steel Precision Ball Bearings
- Temperature Range: -40°F to +180°F
- Available in Anti-Static add "AS"



Part Number Swivel Caster	Part Number Swivel with Total Lock	Part Number Rigid Caster	Wheel Diameter (inch)	Tread Width (inch)	Load Capacity (lbs)	Overall Height (inch)	Swivel Radius (inch)	Swivel Radius w/Total Lock (inch)	Swivel Radius w/Wheel Brake (inch)
34SS42NN	34SS42NNTL	34SS42NN	4	2	1250	5-5/8	3-3/15	4	8-1/2
34SS52NN	34SS52NNTL	34SS52NN	5	2	1250	6-1/2	3-7/8	4	9-1/2
34SS62NN	34SS62NNTL	34SS62NN	6	2	1250	7-1/2	4-7/8	6	10
34SS82NN	34SS82NNTL	34SS82NN	8	2	1250	9-1/2	6-1/2	6	11-1/2

4

S34 SERIES KINGPIN HI-GLOSS POLISHED STAINLESS STEEL CASTERS

SS
WHEELS

STAINLESS STEEL WHEELS

- Type 304 Stainless Steel
- Non-magnetic & Non-sparking
- Excellent corrosion resistance
- Slightly crowned tread face with rounded corners

- Stainless Steel Precision Ball Bearings
- Temperature Range: 800°F

**Custom Stainless Steel Wheels
made to your specifications**

**V-Groove - VG
Flanged - FL**



Part Number Swivel Caster	Part Number Swivel with Total Lock	Part Number Rigid Caster	Wheel Diameter (inch)	Tread Width (inch)	Load Capacity (lbs)	Overall Height (inch)	Swivel Radius (inch)	Swivel Radius w/Total Lock (inch)	Swivel Radius w/Wheel Brake (inch)
34SS42SS	34SS42SS	34SS42SS	4	2	1250	5-5/8	3-15/16	4	8-1/2
34SS52SS	34SS52SS	34SS52SS	5	2	1250	6-1/2	3-7/8	4	9-1/2
34SS62SS	34SS62SS	34SS62SS	6	2	1250	7-1/2	4-7/8	6	10
34SS82SS	34SS82SS	34SS82SS	8	2	1250	9-1/2	6-1/2	6	11-1/2

SEN
WHEELS

SOLID ELASTOMER WHEEL NYLON CORE

- 70 Shore (D) durometer
- FDA standards for use in food processing environments
- 100% Washable

- Glass-filled nylon core insert endures heat
- High impact and abrasion resistant
- Resists oil, grease, water, and most solvents
- Stainless Steel Precision Ball Bearings
- Temp Range: -50°F to +180°F



Part Number Swivel Caster	Part Number Swivel with Total Lock	Part Number Rigid Caster	Wheel Diameter (inch)	Tread Width (inch)	Load Capacity (lbs)	Overall Height (inch)	Swivel Radius (inch)	Swivel Radius w/Total Lock (inch)	Swivel Radius w/Wheel Brake (inch)
34SS42SEN	34SS42SEN	34SS42SEN	4	2	900	5-5/8	3-15/16	4	8-1/2
34SS52SEN	34SS52SEN	34SS52SEN	5	2	900	6-1/2	3-7/8	4	9-1/2
34SS62SEN	34SS62SEN	34SS62SEN	6	2	900	7-1/2	4-7/8	6	10
34SS82SEN	34SS82SEN	34SS82SEN	8	2	900	9-1/2	6-1/2	6	11-1/2

KR
WHEELS

SOLID POLYURETHANE KRYPTONIC™ WHEELS

- Polyether Polyurethane has excellent carrying capacity.
- Crown shape affords an easy-rolling quiet operation
- Greater service life and resistance to chunking, cutting and abrasive wear

- 100% washable, steam cleanable, and resistant to most chemicals
- Non-marking tread
- Durometer: 58 Shore D (+/-5)
- Stainless Steel Precision Ball Bearings
- Temperature Range: + 250°F for up to a 1/2 hour.



Part Number Swivel Caster	Part Number Swivel with Total Lock	Part Number Rigid Caster	Wheel Diameter (inch)	Tread Width (inch)	Load Capacity (lbs)	Overall Height (inch)	Swivel Radius (inch)	Swivel Radius w/Total Lock (inch)	Swivel Radius w/Wheel Brake (inch)
34SS42KR	34SS42KR	34SS42KR	4	2	800	5-5/8	3-15/16	4	8-1/2
34SS52KR	34SS52KR	34SS52KR	5	2	900	6-1/2	3-7/8	4	9-1/2
34SS62KR	34SS62KR	34SS62KR	6	2	900	7-1/2	4-7/8	6	10
34SS82KR	34SS82KR	34SS82KR	8	2	900	9-1/2	6-1/2	6	11-1/2

OTHER TYPE WHEELS AVAILABLE FOR THIS SERIES:

NYLON FIBERGLASS (NG), NYLACRON™ MD (NY/MD), NYLACRON™ MONOCAST (NY/MC), HIGH TEMP PHENOLIC (TR) AND HEATEATER (HE)

SEE WHEEL SECTION FOR COMPLETE SPECIFICATIONS.

HE
WHEELS

HI-TEMP NYLON WHEELS

- Ideal for speciality applications
- Won't chip, absorbs water or breakdown in caustic environments

- Moderate crown, black finish
- Durometer: 85 Shore D +5
- Stainless Steel Rolling Bearings
- Temperature Range: up to +475°F



Part Number Swivel Caster	Part Number Swivel with Total Lock	Part Number Rigid Caster	Wheel Diameter (inch)	Tread Width (inch)	Load Capacity (lbs)	Overall Height (inch)	Swivel Radius (inch)	Swivel Radius w/Total Lock (inch)	Swivel Radius w/Wheel Brake (inch)
34SS42HEZB03	34SS42HEZB03	34SS42HEZB03	4	2	800	5-5/8	3-15/16	4	8-1/2
34SS52HEZB03	34SS52HEZB03	34SS52HEZB03	5	2	1000	6-1/2	3-7/8	4	9-1/2
34SS62HEZB03	34SS62HEZB03	34SS62HEZB03	6	2	1200	7-1/2	4-7/8	6	10
34SS82HEZB03	34SS82HEZB03	34SS82HEZB03	8	2	1400	9-1/2	6-1/2	6	11-1/2

RW
WHEELS

RETORT POLYPROPYLENE WHEELS

- Designed to withstand the rigors of high temperature
- Oversized bore ID ensures smooth movement even if wheels experience heat expansion

- Moderate crown, white finish
- Durometer: 75 Shore D
- Stainless Steel Rolling Bearings
- Temperature Range: -20°F to +290°F



Part Number Swivel Caster	Part Number Swivel with Total Lock	Part Number Rigid Caster	Wheel Diameter (inch)	Tread Width (inch)	Load Capacity (lbs)	Overall Height (inch)	Swivel Radius (inch)	Swivel Radius w/Total Lock (inch)	Swivel Radius w/Wheel Brake (inch)
34SS42RWZB03	34SS42RWZB03	34SS42RWZB03	4	2	500	5-5/8	3-15/16	4	8-1/2
34SS52RWZB03	34SS52RWZB03	34SS52RWZB03	5	2	1250	6-1/2	3-7/8	4	9-1/2
34SS62RWZB03	34SS62RWZB03	34SS62RWZB03	6	2	1250	7-1/2	4-7/8	6	10
34SS82RWZB03	34SS82RWZB03	34SS82RWZB03	8	2	1250	9-1/2	6-1/2	6	11-1/2

NG
WHEELS

GLASS FILLED NYLON WHEELS

- Injection molded, 30% glass filled nylon wheel
- 100% washable & steam cleanable, not affected by grease, oils, most chemicals & cleaning solutions, salt, brine & blood
- Extreme impact strength, good abrasion and compression resistance

- Offers a smooth ergonomic ride; requires less effort to start up and maintain a rolling load
- Durometer: 85 Shore D (+/-5)
- Stainless Steel Pedestal Precision Ball Bearings
- Temperature Range: -45°F to +250°F up to 3500 F, when used with all metallic bearings and high-temp grease



Part Number Swivel Caster	Part Number Swivel with Total Lock	Part Number Rigid Caster	Wheel Diameter (inch)	Tread Width (inch)	Load Capacity (lbs)	Overall Height (inch)	Swivel Radius (inch)	Swivel Radius w/Total Lock (inch)	Swivel Radius w/Wheel Brake (inch)
34SS42NG	34SS42NG	34SS42NG	4	2-3/16	800	5-5/8	3-15/16	4	8-1/2
34SS52NG	34SS52NG	34SS52NG	5	2-3/16	1000	6-1/2	3-7/8	4	9-1/2
34SS62NG	34SS62NG	34SS62NG	6	2-3/16	1200	7-1/2	4-7/8	6	10
34SS82NG	34SS82NG	34SS82NG	8	2-3/16	1400	9-1/2	6-1/2	6	11-1/2

4 40 SERIES SPRING-LOADED CASTERS



SWIVEL CROSS SECTION



APPLICATIONS

Manufacturing Plant Carts

Aerospace/Automotive

Specialty Toolboxes

Ground Support Equipment

Technology Carts

Portable Cranes & Hoists

Mobile Workstations

Monitoring Carts

Laboratory Equipment

500 LBS. LOAD CAPACITY CASTERS

- **Load Springs:** Maximum rated capacity loads will deflect wheel approximately 3/8" (50%). Different load springs for each series permits wide variation in ride "softness." They can be preloaded to obtain various degrees of deflection
- **Top Plate & Yoke Base:** Made from 1/4" steel plate and unnotched
- **Swivel Section:** Cold formed, hardened double ball bearing raceways minimize ball indentation and wear
- **Legs:** 1/4" steel cold formed to increase strength and welded to the yoke base
- **King Bolt:** 5/8" diameter orbitally spun steel rivet
- **Axle:** 1/2" diameter hollow axle complete with lock nut. Axle is solid for 28 & 29 ball bearings
- **Wheel Seals:** Nylon seal retaining/thrust washers
- Alternate or custom caster configurations available

Designed with the load in mind, the 40 series protects from damaging shocks or unwanted vibration and movement. Noise levels are reduced through the dampening effect of these casters.

MOUNTING

TOP PLATE: (STANDARD)

Plate Size: 4 x 4-1/2

Bolt Holes: 2-5/8 x 3-5/8
slotted to 3 x 3

Bolt Size: 3/8

RIG OPTIONS

NS	Neoprene Sealed Swivel Section
ZF	Hollow Axle
SSB	Single Side Brake
DSB	Double Side Brake
SL	Swivel Lock

BRAKES OPTIONS

Single Sided and **Double Sided** Brakes available. Consult Factory

Swivel Lock available (welded) Consult Factory

TYPICAL APPLICATIONS

- Aircraft tripod jacks
- Portable medical equipment
- Computer equipment
- Shock sensitive loads

BEARING OPTIONS

Roller Bearing (02)

Industrial Ball (27)

Precision Ball (28)

Also Available:

41, 42, 44 Spring Loaded Kingpin Series

141 Spring Loaded Kingpinless Casters

S310, S410, S610 Spring Loaded Kingpinless Casters

Call Acorn for specifications.

4 40 SERIES SPRING-LOADED CASTERS

X-TRA SOFT FLAT TREAD 29 PEDESTAL PRECISION XS

- Prevenz™ antimicrobial models available
- Add PREV to end of caster number
- Industrial Ball 27, Annular Ball 31 available
- Change "01" to other bearing code
- Industrial Ball example: 40XS05227



Part Number Swivel Caster	Part Number Rigid Caster	Wheel Diameter (inch)	Tread Width (inch)	Load Capacity (lbs)	Overall Height (inch)	Swivel Lead (inch)	Approx. Weight (lbs)
40XS05229S	40XS05229R	5	2	500	8	1-3/4	8
40XS06229S	40XS06229R	6	2	500	8-1/2	1-3/4	8-1/2
40XS08229S	40XS08229R	8	2	500	10-1/2	1-3/4	9-1/2

POLYURETHANE ON POLYPROPYLENE 29 PEDESTAL PRECISION XA

Part Number Swivel Caster	Part Number Rigid Caster	Wheel Diameter (inch)	Tread Width (inch)	Load Capacity (lbs)	Overall Height (inch)	Swivel Lead (inch)	Approx. Weight (lbs)
40XA05229S	40XA05229R	5	2	500	8	1-3/4	8
40XA06229S	40XA06229R	6	2	500	8-1/2	1-3/4	8-3/4
40XA08229S	40XA08229R	8	2	500	10-1/2	1-3/4	9-1/2



ELASTIC BLUE RUBBER BALL BEARING ERB

- Elastic solid rubber, smooth rolling quality
- Color Blue, 65° + 3° shore A
- Vulcanized, for non-detachable bond, low rolling resistance
- Made of aluminum die-cast, corrosion-resistant, with dual sealed precision ball bearings

Part Number Swivel Caster	Part Number Rigid Caster	Wheel Diameter (inch)	Tread Width (inch)	Load Capacity (lbs)	Overall Height (inch)	Swivel Lead (inch)	Approx. Weight (lbs)
40ERB06229S	40ERB06229R	6	2	500	7-1/2	1-3/4	6-1/2
40ERB08229S	40ERB08229R	8	2	500	9-1/2	1-3/4	7-1/2



POLYURETHANE ON ALUMINUM FLAT TREAD 29 PEDESTAL PRECISION PD

Part Number Swivel Caster	Part Number Rigid Caster	Wheel Diameter (inch)	Tread Width (inch)	Load Capacity (lbs)	Overall Height (inch)	Swivel Lead (inch)	Approx. Weight (lbs)
40PD05229S	40PD05229R	5	2	500	8	1-3/4	9
40PD06229S	40PD06229R	6	2	500	8-1/2	1-3/4	8-3/4
40PD08229S	40PD08229R	8	2	500	10-1/2	1-3/4	10



4 40 SERIES SPRING-LOADED CASTERS

POLYURETHANE ON ALUMINUM ROUND TREAD 28 ROLLER BEARING

PM

Part Number Swivel Caster	Part Number Rigid Caster	Wheel Diameter (inch)	Tread Width (inch)	Load Capacity (lbs)	Overall Height (inch)	Swivel Lead (inch)	Approx. Weight (lbs)
40PM05228S	40PM05228R	5	2	500	8	1-3/4	11
40PM06228S	40PM06228R	6	2	500	8-1/2	1-3/4	12-1/2
40PM08228S	40PM08228R	8	2	500	10-1/2	1-3/4	13



POLYURETHANE ON POLYPROPYLENE 29 PEDESTAL PRECISION

PM80A

• Precision Pedestal Bearing

Part Number Swivel Caster	Part Number Rigid Caster	Wheel Diameter (inch)	Tread Width (inch)	Load Capacity (lbs)	Overall Height (inch)	Swivel Lead (inch)	Approx. Weight (lbs)
40PM0522880AS	40PM0522880AR	5	2	500	8	1-3/4	11
40PM0622880AS	40PM0622880AR	6	2	500	8-1/2	1-3/4	12-1/2
40PM0822880AS	40PM0822880AR	8	2	500	10-1/2	1-3/4	13



NYLACRON™ 29 PRECISION BALL BEARING

NY/MD

Part Number Swivel Caster	Part Number Rigid Caster	Wheel Diameter (inch)	Tread Width (inch)	Load Capacity (lbs)	Overall Height (inch)	Swivel Lead (inch)	Approx. Weight (lbs)
40NYMD05201S	40NYMD05201R	5	2	500	8	1-3/4	8
40NYMD06201S	40NYMD06201R	6	2	500	8-1/2	1-3/4	8-3/4
40NYMD08201S	40NYMD08201R	8	2	500	10-1/2	1-3/4	9-1/2



NYLACRON™ WHITE 29 PRECISION BALL BEARING

NY/MC

Part Number Swivel Caster	Part Number Rigid Caster	Wheel Diameter (inch)	Tread Width (inch)	Load Capacity (lbs)	Overall Height (inch)	Swivel Lead (inch)	Approx. Weight (lbs)
40NYMC05228S	40NYMC05228R	5	2	500	8	1-3/4	8
40NYMC06228S	40NYMC06228R	6	2	500	8-1/2	1-3/4	8-3/4
40NYMC08228S	40NYMC08228R	8	2	500	10-1/2	1-3/4	9-1/2



Other type wheels available including Prevenz™ Antimicrobial Wheels.

4 100 SERIES PNEUMATIC CASTERS



APPLICATIONS

- Manufacturing Plant Carts**
- Aerospace/Automotive**
- Specialty Toolboxes**
- Ground Support Equipment**
- Technology Carts**
- Portable Cranes & Hoists**
- Mobile Workstations**
- Monitoring Carts**
- Laboratory Equipment**

300 LBS. LOAD CAPACITY CASTERS

- Double ball bearing swivel raceway
- Zinc plated standard
- Top plate and yoke 1/4" cold forged steel
- 5/8" riveted kingpin
- 1/2" diameter axle and lock nut
- Shock absorbing
- Grease fittings in swivel raceway
- Quiet rolling and easy moving
- Pneumatic flat free wheels

RIG OPTIONS

- CS** Swivel
- CR** Rigid
- TS** Swivel/Top Lock Brake
- DSB** Double Side Brake
- SL** Swivel Lock

BRAKES OPTIONS

Single Side and **Double Sided** Brakes available. Consult Factory.

Swivel Lock available (welded) Consult Factory.

The 100 Series casters provides a smooth and easy movement. The grease fittings and 4-ply rubber pneumatics make the 100 Series perfect for carts, platform trucks, and more.

TYPICAL APPLICATIONS

- Platform Trucks
- Institutional
- Commercial
- Lawn and Garden

MOUNTING

TOP PLATE: (STANDARD)

- Plate Size:** 4" x 4-1/2"
- Bolt Holes:** 2-5/8" x 3-5/8" slotted to 3" x 3"
- Bolt Size:** 3/8"

Part Number Swivel Caster	Part Number Rigid Caster	Part Number Top Lock	Wheel Diameter (inch)	Tread Width (inch)	Wheel Type	Load Capacity (inch)	Overall Height (inch)	Radius (inch)
100CS620FF4503	100CR620FF4503	100TS620FF4503	6	2	Flat-Free	250	7-1/2	4-1/2
100CS830FF4503	100CR830FF4503	100TS830FF4503	8	3	Flat-Free	300	9-3/4	6-1/2

Also Available:
16 Series Semi-Pneumatic Casters
72 Series Semi-Pneumatic Casters
16, 72, 90 Series Pneumatic Casters
Call Acorn for specifications.