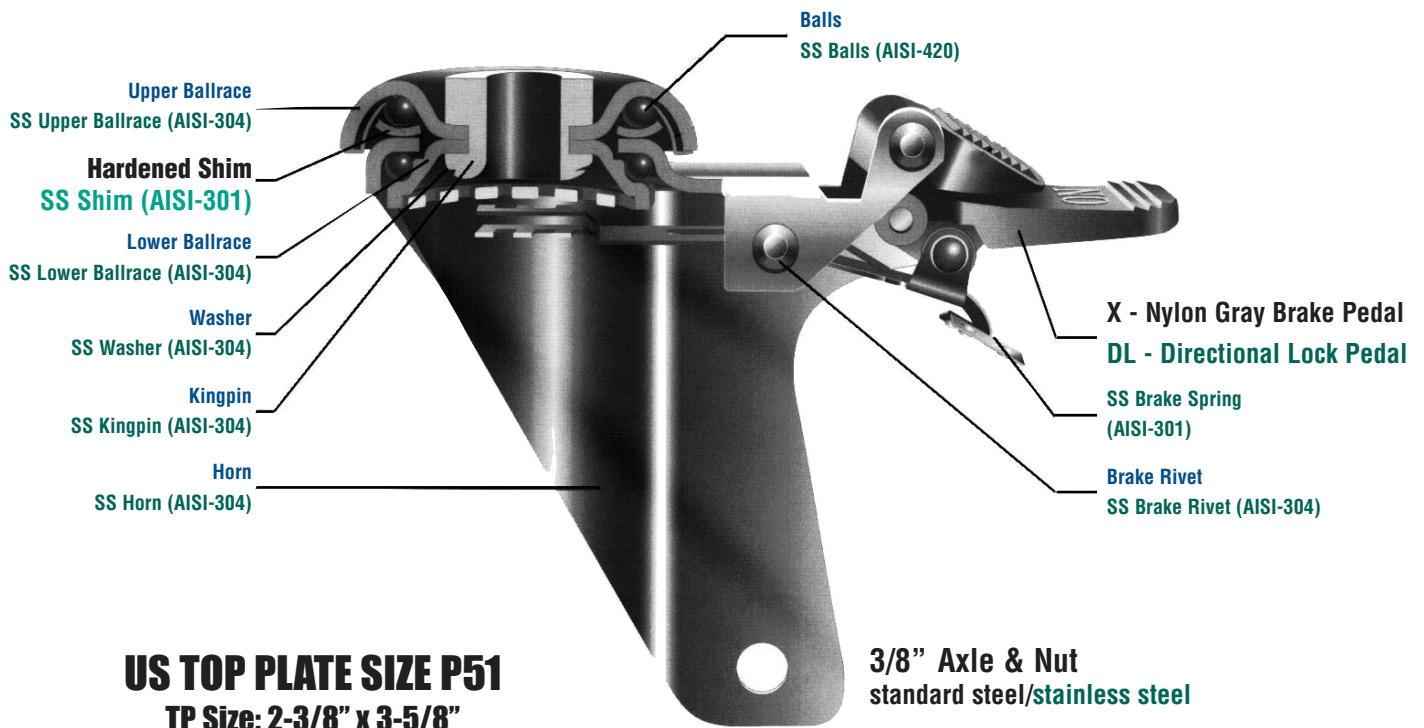


2C POLISHED CHROME FINISH PLATE CASTERS US TOP PLATE P51

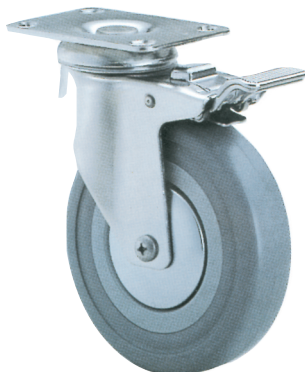
POLISHED CHROME -
Hardened Shim with Sealed Swivel Yoke.

POLISHED STAINLESS STEEL -
Hardened Shim with Sealed Swivel Yoke.



US TOP PLATE SIZE P51
TP Size: 2-3/8" x 3-5/8"
Bolt Pattern: 1-3/4" x 2-7/8" to 3"
Bolt Diameter: 5/16"

Swivel Caster with Total Lock
X Gray Nylon Brake Pedal



Directional Lock
Green Nylon Petal



Swivel Caster



2C POLISHED CHROME FINISH PLATE CASTERS US TOP PLATE P51

KR WHEELS

KRYPTONIC™ WHEELS

- Polyether Polyurethane has excellent carrying capacity.
- Straight sided slight crown shape affords an easy-rolling quiet operation.
- Greater service life and resistance to chunking, cutting and abrasive wear.

- 100% washable, steam cleanable, and resistant to most chemicals.
- Non-marking tread.
- Durometer: 58 Shore D (+/-5).
- Stainless Steel Precision Ball Bearings.
- Temperature Range: + 250°F for up to a 1/2 hour.
- Available in 5" HI-temp gray + 250°F for 5 to 6 hrs. add: "G" after "KR". Example: Y380XP51/KRG5



| Part Number Swivel with Total Lock | Part Number Directional Lock | Wheel Diameter (inch) | Tread Width (inch) | Load Capacity (lbs) | Overall Height (mm) | Swivel Radius (mm) |
|------------------------------------|------------------------------|-----------------------|--------------------|---------------------|---------------------|--------------------|
| Y380XP51/KR3 | Y381XDLP51/KR3 | 3 | 1-1/4 | 300 | 107 | 33 |
| Y480XP51/KR4 | Y481XDLP51/KR4 | 4 | 1-1/4 | 300 | 135 | 40.5 |
| Y580XP51/KR5 | Y581XDLP51/KR5 | 5 | 1-1/4 | 300 | 161 | 39 |

ANR WHEELS

ADVANCED RED RUBBER

- 80 (+5) Shore (A).
- Unique soft tread wheel handles the heat for autoclave applications.
- Roll quiet and smooth ride.

- Recommended for use in hospitals, laboratories and cleanrooms.
- Corrosion resistant thermoplastics.
- Resilient tread material rejects floor debris.
- Stainless Steel Precision Ball Bearings.
- Temp Range: -190°F to +300°F.



| Part Number Swivel with Total Lock | Part Number Directional Lock | Wheel Diameter (inch) | Tread Width (inch) | Load Capacity (lbs) | Overall Height (mm) | Swivel Radius (mm) |
|------------------------------------|------------------------------|-----------------------|--------------------|---------------------|---------------------|--------------------|
| Y480XP51/ANR4 | Y481XDLP51/ANR4 | 4 | 1-1/4 | 175 | 135 | 40.5 |
| Y580XP51/ANR5 | Y581XDLP51/ANR5 | 5 | 1-1/4 | 220 | 161 | 39 |
| Y680XP51/ANR6 | Y681XDLP51/ANR6 | 6 | 1-1/4 | 245 | 167 | 45 |

RT WHEELS

RETORT

- 75 Durometer Shore (D).
- Designed to withstand the rigors of high temperature.

- Oversized bore ID ensures smooth movement.
- Plain bore.
- Moderate crown/White finish.
- Temp Range: -20°F to +290°F.



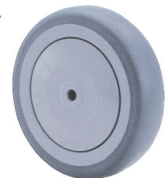
| Part Number Swivel with Total Lock | Part Number Directional Lock | Wheel Diameter (inch) | Tread Width (inch) | Load Capacity (lbs) | Overall Height (mm) | Swivel Radius (mm) |
|------------------------------------|------------------------------|-----------------------|--------------------|---------------------|---------------------|--------------------|
| Y380XP51/RT3 | Y381XDLP51/RT3 | 3 | 1-1/4 | 130 | 107 | 33 |
| Y480XP51/RT4 | Y481XDLP51/RT4 | 4 | 1-1/4 | 175 | 135 | 40.5 |
| Y580XP51/RT5 | Y581XDLP51/RT5 | 5 | 1-1/4 | 220 | 161 | 39 |

TPR WHEELS

THERMOPLASTIC GRAY TREAD RUBBER PLASTIC HUB.

- 70 (+/-5) Durometer Shore (A).
- Recommended for clean environments.

- Resists most solvents, oil, grease, and water.
- Non-marking.
- Smooth rolling and quiet.
- Precision Ball Bearings.
- Temp Range: -45°F to +180°F.



| Part Number Swivel with Total Lock | Part Number Directional Lock | Wheel Diameter (inch) | Tread Width (inch) | Load Capacity (lbs) | Overall Height (mm) | Swivel Radius (mm) |
|------------------------------------|------------------------------|-----------------------|--------------------|---------------------|---------------------|--------------------|
| Y380XP51/W324A | Y381XDLP51/W324A | 3 | 1-1/4 | 130 | 107 | 33 |
| Y480XP51/W424A | Y481XDLP51/W424A | 4 | 1-1/4 | 175 | 135 | 40.5 |
| Y580XP51/W524A | Y581XDLP51/W524A | 5 | 1-1/4 | 220 | 161 | 39 |

2C POLISHED CHROME FINISH PLATE CASTERS US TOP PLATE P51

NY/MC WHEELS

NYLACRON™

- Precision Machined from cast polyamide hardness 112-120 Rockwell R.
- Ultimate choice for extremely high load applications to replace metallic wheels.
- Offer very high abrasion resistance and very low rolling resistance under extreme loads.

- Resistant to salt, grease, alcohol and mild acids - can be used in corrosive applications with appropriate bearings.
- Precision Ball Bearings or Plain Bore.
- Temperature Range: -40°F to +270°F.



| Part Number Swivel with Total Lock | Part Number Directional Lock | Wheel Diameter (inch) | Tread Width (inch) | Load Capacity (lbs) | Overall Height (mm) | Swivel Radius (mm) |
|------------------------------------|------------------------------|-----------------------|--------------------|---------------------|---------------------|--------------------|
| Y380XP51/NYMC | Y381XDLP51/NYMC | 3 | 1-1/4 | 220 | 107 | 33 |
| Y480XP51/NYMC | Y481XDLP51/NYMC | 4 | 1-1/4 | 220 | 135 | 40.5 |
| Y580XP51/NYMC | Y581XDLP51/NYMC | 5 | 1-1/4 | 220 | 161 | 39 |

PRB WHEELS

ELASTIC RUBBER

- Plastic hub material.
- Plastic 3" & Steel 4" & 5" thread guards.
- Gray color elastic rubber tire material.

- Precision Ball Bearings.
- Short-term temperature range: -40°/80°C.



| Part Number Swivel with Total Lock | Part Number Directional Lock | Wheel Diameter (inch) | Tread Width (inch) | Load Capacity (lbs) | Overall Height (mm) | Swivel Radius (mm) |
|------------------------------------|------------------------------|-----------------------|--------------------|---------------------|---------------------|--------------------|
| Y380XP51/324A | Y381XDLP51/324A | 3 | 1-1/4 | 240 | 107 | 33 |
| Y480XP51/424A | Y481XDLP51/424A | 4 | 1-1/4 | 240 | 135 | 40.5L |
| Y580XP51/524A | Y581XDLP51/524A | 5 | 1-1/4 | 240 | 161 | 39 |

SRB WHEELS

ELASTIC RUBBER

- Pressed steel hub material.
- Steel thread guards.
- Gray color elastic rubber tire material.

- Precision Ball Bearings.
- Short-term temperature range: -40°/80°C.



| Part Number Swivel with Total Lock | Part Number Directional Lock | Wheel Diameter (inch) | Tread Width (inch) | Load Capacity (lbs) | Overall Height (mm) | Swivel Radius (mm) |
|------------------------------------|------------------------------|-----------------------|--------------------|---------------------|---------------------|--------------------|
| Y480XP51/423A | Y480XDLP51/423A | 4 | 1-1/4 | 240 | 135 | 40.5 |
| Y580XP51/523A | Y580XDLP51/523A | 5 | 1-1/4 | 240 | 161 | 39 |
| Y680XP51/623A | Y680XDLP51/623A | 6 | 1-1/4 | 240 | 167 | 45 |

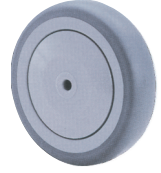
2C POLISHED CHROME FINISH PLATE CASTERS US TOP PLATE P51

TPR/AS WHEELS

ANTI-STATIC PLASTIC HUB,
GRAY COLOR CONDUCTIVE THERMOPLASTIC
RUBBER TREAD

- 70 (+/-5) Durometer Shore (A).
- Anti-static plastic hub.

- Non-marking.
- Easy rolling, impact resistant and shock absorbing.
- Precision Ball Bearings.
- Temp Range: -40°F to +120°F.



| Part Number Swivel with Total Lock | Part Number Directional Lock | Wheel Diameter (inch) | Tread Width (inch) | Load Capacity (lbs) | Overall Height (mm) | Swivel Radius (mm) |
|------------------------------------|------------------------------|-----------------------|--------------------|---------------------|---------------------|--------------------|
| Y480XP51/300U | Y481XDLP51/300U | 3 | 1-1/4 | 210 | 107 | 33 |
| Y480XP51/400U | Y481XDLP51/400U | 4 | 1-1/4 | 240 | 135 | 40.5 |
| Y580XP51/500U | Y581XDP51/500U | 5 | 1-1/4 | 240 | 161 | 39 |
| Y680XP51/600U | Y681XDLP51/600U | 6 | 1-1/4 | 240 | 167 | 45 |

TPU WHEELS

PLASTIC HUB, GRAY COLOR
POLYURETANE TREAD

- 95 (+/-5) Durometer Shore (A).
- Plastic hub.

- Non-marking.
- High impact and abrasion resistant.
- Precision Ball Bearings.
- Temp Range: -40°F to +180°F.



| Part Number Swivel with Total Lock | Part Number Directional Lock | Wheel Diameter (inch) | Tread Width (inch) | Load Capacity (lbs) | Overall Height (mm) | Swivel Radius (mm) |
|------------------------------------|------------------------------|-----------------------|--------------------|---------------------|---------------------|--------------------|
| Y380XP51/W300A | Y381XDLP51/W300A | 3 | 1-1/4 | 240 | 107 | 33 |
| Y480XP51/W400A | Y481XDLP51/W400A | 4 | 1-1/4 | 240 | 135 | 40.5 |
| Y580XP51/W500A | Y581XDLP51/W500A | 5 | 1-1/4 | 240 | 161 | 39 |

*steel tread guard

2C POLISHED STAINLESS STEEL FINISH PLATE CASTERS US TOP PLATE P51

KR SS WHEELS

KRYPTONIC™ WHEELS

- Polyether Polyurethane has excellent carrying capacity.
- Straight sided slight crown shape affords an easy-rolling quiet operation.
- Greater service life and resistance to chunking, cutting and abrasive wear.

- 100% washable, steam cleanable, and resistant to most chemicals.
- Non-marking tread.
- Durometer: 58 Shore D (+/-5).
- Stainless Steel Precision Ball Bearings.
- Temperature Range: + 250°F for up to a 1/2 hour.
- **Available in 5" HI-temp gray + 250°F for 5 to 6 hrs. add: "G" after "KR". Example: Y582P1CR/KRG5**



| Part Number Swivel with Total Lock | Part Number Directional Lock | Wheel Diameter (inch) | Tread Width (inch) | Load Capacity (lbs) | Overall Height (mm) | Swivel Radius (mm) |
|------------------------------------|------------------------------|-----------------------|--------------------|---------------------|---------------------|--------------------|
| Y380XP51SS/KR3 | Y381XDLP51SS/KR3 | 3 | 1-1/4 | 130 | 107 | 33 |
| Y480XP51SS/KR4 | Y481XDIP51SS/KR4 | 4 | 1-1/4 | 175 | 135 | 40.5 |
| Y580XP51SS/KR5 | Y581XDLP51SS/KR5 | 5 | 1-1/4 | 220 | 161 | 39 |

ANR SS WHEELS

ADVANCED RED RUBBER

- 80 (+/-5) Shore (A).
- Unique soft tread wheel handles the heat for autoclave applications.
- Roll quiet and smooth ride.

- Recommended for use in hospitals, laboratories and cleanrooms.
- Corrosion resistant thermoplastics.
- Resilient tread material rejects floor debris.
- Stainless Steel Precision Ball Bearings.
- Temp Range: -190°F to +300°F.



| Part Number Swivel with Total Lock | Part Number Directional Lock | Wheel Diameter (inch) | Tread Width (inch) | Load Capacity (lbs) | Overall Height (mm) | Swivel Radius (mm) |
|------------------------------------|------------------------------|-----------------------|--------------------|---------------------|---------------------|--------------------|
| Y480XP51SS/ANR4 | Y481XDLP51SS/ANR4 | 4 | 1-1/4 | 175 | 135 | 40.5 |
| Y580XP51SS/ANR5 | Y581XDLP51SS/ANR5 | 5 | 1-1/4 | 220 | 161 | 39 |
| Y680XP51SS/ANR6 | Y681XDLP51SS/ANR6 | 6 | 1-1/4 | 245 | 167 | 45 |

NY/MC SS WHEELS

NYLACRON™

- Precision Machined from cast polyamide hardness 112-120 Rockwell R.
- Ultimate choice for extremely high load applications to replace metallic wheels.
- Offer very high abrasion resistance and very low rolling resistance under extreme loads.

- Resistant to salt, grease, alcohol and mild acids - can be used in corrosive applications with appropriate bearings.
- Precision Ball Bearings.
- Temperature Range: -40°F to +270°F.



| Part Number Swivel with Total Lock | Part Number Directional Lock | Wheel Diameter (inch) | Tread Width (inch) | Load Capacity (lbs) | Overall Height (mm) | Swivel Radius (mm) |
|------------------------------------|------------------------------|-----------------------|--------------------|---------------------|---------------------|--------------------|
| Y380XP51SS/NYMC | Y381XDLP51SS/NYMC | 3 | 1-1/4 | 220 | 107 | 33 |
| Y480XP51SS/NYMC | Y481XDLP51SS/NYMC | 4 | 1-1/4 | 220 | 135 | 40.5 |
| Y580XP51SS/NYMC | Y581XDLP51SS/NYMC | 5 | 1-1/4 | 220 | 161 | 39 |