

SPRING LOADED GATE CASTERS

GATE & LADDER CASTERS

Load Capacity Up to 210 lbs.

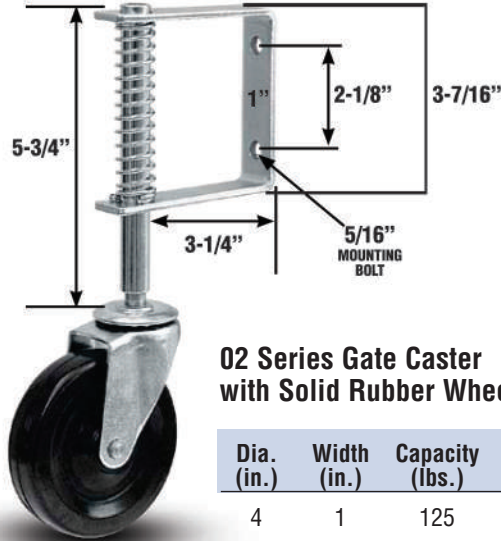


Custom Gate & Ladder Casters Available in Stainless Steel with Nylacron™ Wheels

These casters are designed to make gate opening and closing easy. The casters feature gate mounts and spring loaded shock absorption.

Features

- Gate mount integrated in caster
- Spring loaded design provides shock absorption



02 Series Gate Caster with Solid Rubber Wheel (41 Plain Bearing)

| Dia. (in.) | Width (in.) | Capacity (lbs.) | OAH (in.) | Swivel Lead (in.) | Part Number |
|------------|-------------|-----------------|-----------|-------------------|---------------|
| 4 | 1 | 125 | 10-1/2 | 3.2 | 02RN04041S007 |



14 Series Gate Caster with Semi-Pneumatic Tire (27 Radial Ball Bearing)

| Dia. (in.) | Width (in.) | Capacity (lbs.) | OAH (in.) | Swivel Lead (in.) | Part Number |
|------------|-------------|-----------------|-----------|-------------------|---------------|
| 8 | 2-1/2 | 210 | 18-1/2 | 6.5 | 14SN08427S001 |