

BEVELER

BEVELING

HB-15B HAND BEVELER

Features

- Ideal for edge beveling pipe, tube, plate and other materials
- Bevels angles 15° - 45°
- Bevels widths up to 5/8" using multiple passes
- High speed cutting action minimizes material hardening
- Uses 12 indexable carbide inserts
- One year limited warranty



Bevels up to 5/8" C

Applications

Bevels large workpieces efficiently - dies, structural members, mild steel and cast iron parts.



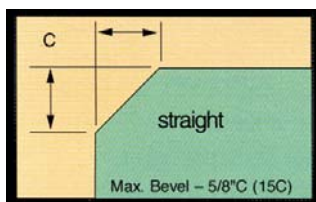
Beveling I-beams



Beveling steel plates

Specifications

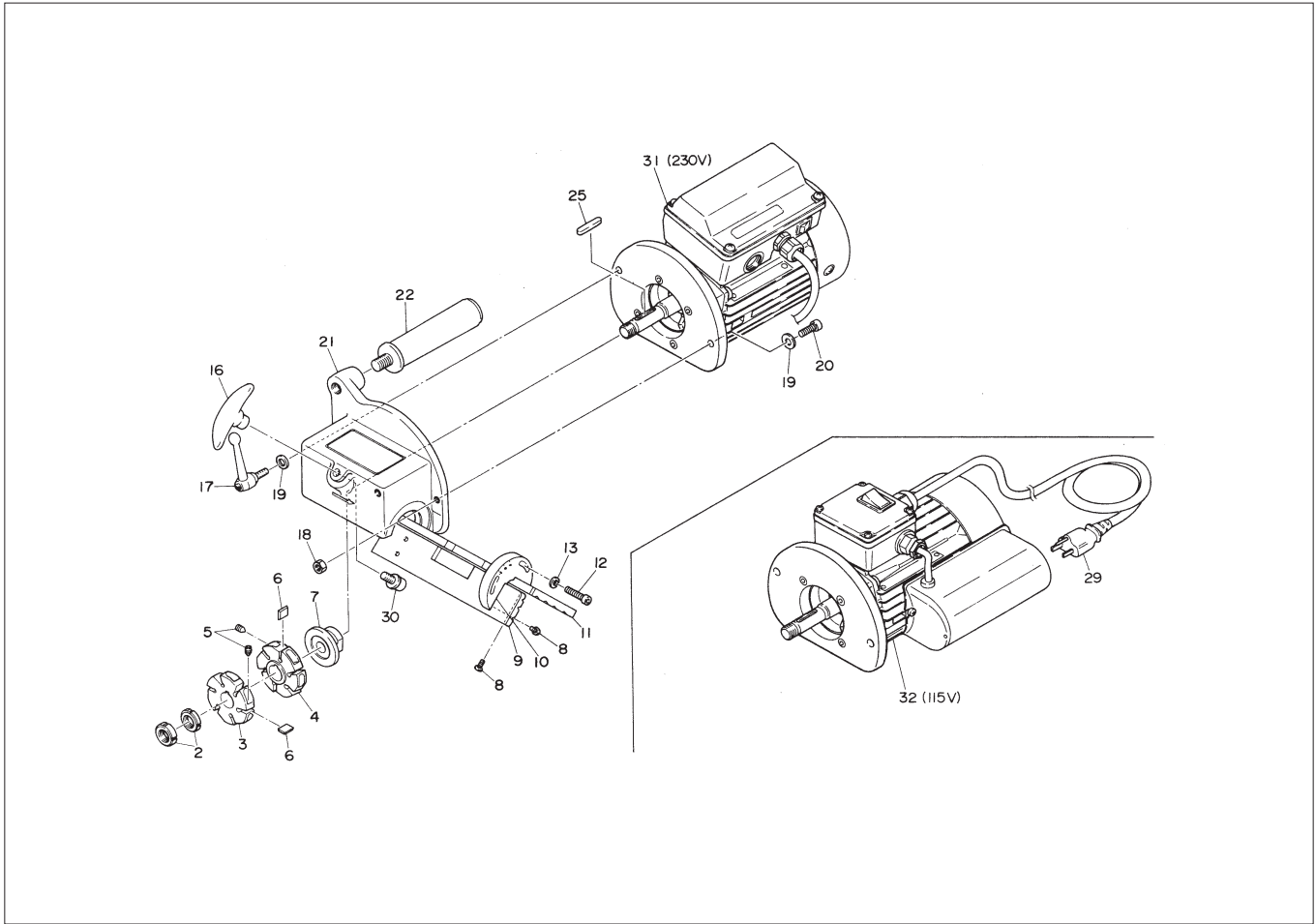
Model	HB-15B
Power Source	115V
Power Consumption	910 watts
Rated Current	10.5A
No load Speed	3,340 RPM
Bevel Capacity	5/8" max.
Bevel Angle Range	15° - 45°
Weight	33 lbs.
Horsepower	1.25 hp
Required Cutting Tips	12



Available Accessories

- Pipe and tube beveling attachment (TA9A728-0)
Capacity: 5" to 32" in O.D.
- Premium cutting tips 1/2" sq. 12 pcs./set (TA9A093-0)
- Cutting tips 1/2" sq. 10 pcs./set (TV7A009-0)

HAND BEVELER HB-15B ASSEMBLY AND PARTS LIST



The part numbers with () are included in the Ass'y parts written above them.

No.	Part No.	Part Name	Q'ty	Price
2	TP04157	Nut AN03	2	
3	TA9A066	Tip Holder A Ass'y	1 set	
4	TA9A067	Tip Holder B Ass'y	1 set	
5	(TP04689)	Hex. Screw 6 X 8	12	
6	TP16594	Tip 12.7 sq.	12	
7	TP16152	Adapter	1	
8	TQ00208	Hex. Socket Head Screw	8	
9	TQ00207	Plate C	1	
10	TP16124	Plate Guide	2	
11	TQ00205	Plate A	1	
12	TP06217	Hex. Bolt 6 X 25	4	
13	TP00092	Plain Washer M6	4	
14	TP14233	Hex. Bolt 10 X 30	1	
15	TP06226	Spring Washer M10	1	
16	TA9A074	T-Handle Ass'y	1 set	
17	TP16159	Clamp Lever KR-8 25L	1	
18	TQ01050	Small Hex. Nut Type3 M8	1	
19	TP10978	Plain Washer M8	2	
20	TP07353	Hex. Bolt 8 X 30	1	
21	TA99911	Body Sub Ass'y	1 set	
22	TA92089	Sub Handle Ass'y	1 set	
23	TQ00668	Button Head Socket Cap Screw 6 X 25	4	
25	TP16151	Sunk Key 5 X 5 X 36	1	
29	TA9A757	Cabtyre Cable Ass'y	1	

No.	Part No.	Part Name	Q'ty	Price
30	TQ03353	Hex Socket Head Screw 10 X 30	1	
31	TB02203	Motor Ass'y (220-240V)	1 set	
32	TB02204	Motor Ass'y (110-120V)	1 set	

ACCESSORIES

No.	Part No.	Part Name	Q'ty	Price
	TP16613	T Type Wrench 3	1	
	TP01939	Hex. Wrench Key 4	1	
	TP04004	Hex. Wrench Key 5	1	
	TP00170	Hex. Wrench Key 6	1	
	TP04309	Spanner 24 X 27	1	
	TP16410	Spanner 25-28	1	
	TQ00206	Plate B	1	
	TA99834	Roller Bracket Ass'y	1 set	
	TP16600	Spacer A	1	
	TP16601	Spacer B	1	
	TA9A093	Cutting Tip (12 pcs/set)	1 set	
	TQ02984	Instruction Manual	1	

OPTIONAL ACCESSORIES

No.	Part No.	Part Name	Q'ty	Price
	TA9A093	Cutting Tip (12 pcs/set)	1 set	
	TA9A728	Plate Ass'y for Pipe	1 set	