

**3**

**3C BB-TEK® BRAKE CASTERS  
US TOP PLATE P63**

**TOP PLATE SIZE P63**

**TP Size: 4" x 4-1/2"**

**Bolt Pattern: 2-5/8" x 3-5/8" to 3"**

**Bolt Diameter: 3/8"**



## 3C BB-TEK® BRAKE CASTERS US TOP PLATE P63

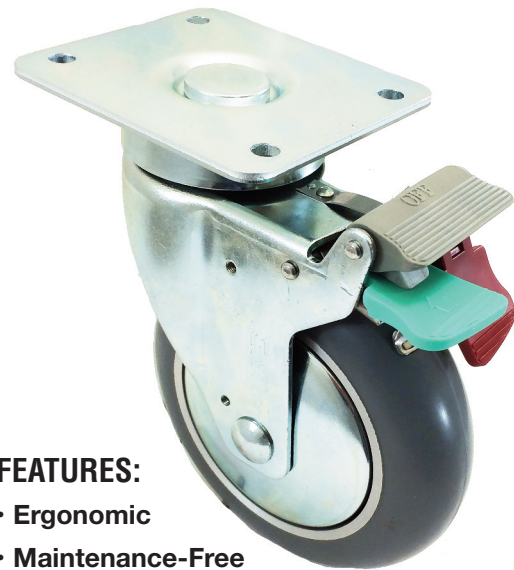
### BB-TEK TWO-IN-ONE BI-BRAKE PRESSED STEEL CASTERS

BB-Tek Casters are recommended for medium duty applications on equipment such as portable computers, instruments, test or equipment stations and were designed for frequent portability. Precision ball bearings in both the swivel and wheels, ease of rollability and maneuvering are its main features.

- Swivel can be locked in steering direction, while wheel remains free to roll, allowing straight line tracking  
**OR**
- Both swivel and wheel can be simultaneously locked for no movement.

### KEY FEATURES

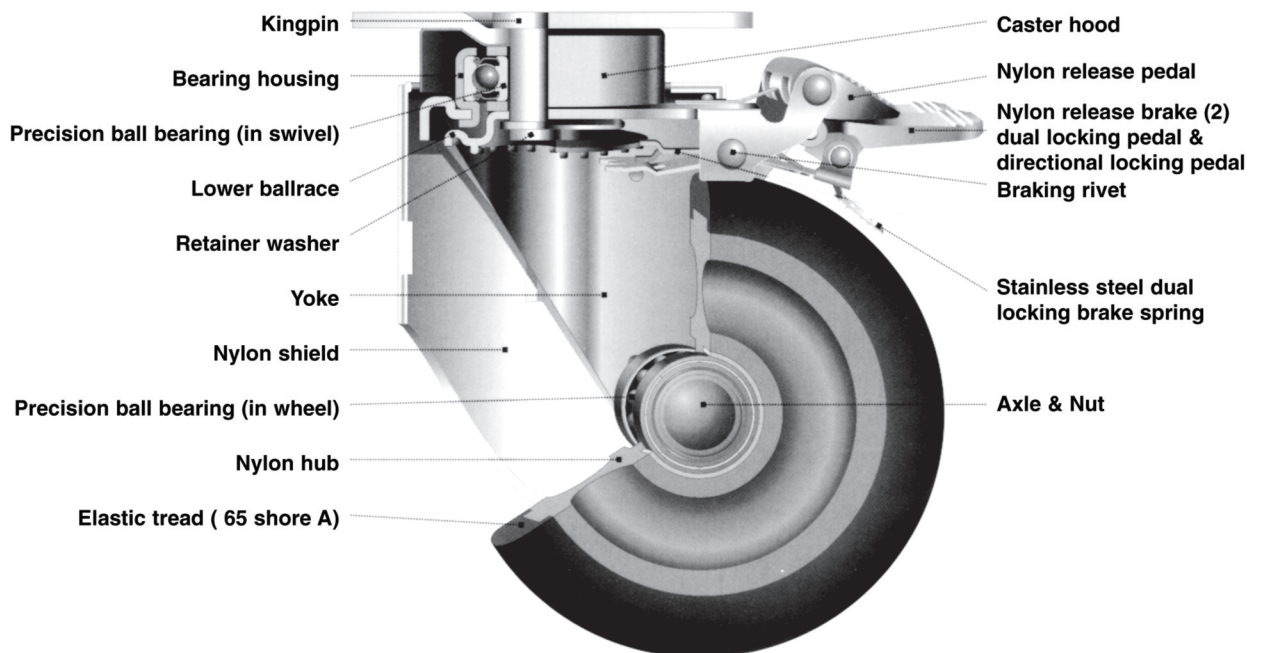
- Swivel Head and Wheel are fitted with precision ball bearings to ensure maximum swiveling, ease and rollability with maximum quietness.
- **Unique, patented BB-TEK Bi-Braking System provides two kinds of braking systems, Dual Locking and/or Directional Locking Brakes, in same caster.**



### FEATURES:

- Ergonomic
- Maintenance-Free
- Ease of Rollability
- Available with plastic covers

**Pedal 1:** Locks the swivel in the steering direction but wheel remains free for straight line tracking.  
**Pedal 2:** Locks the wheel only.



# 3C BB-TEK® BRAKE CASTERS US TOP PLATE P63

## Plate Mounting Options

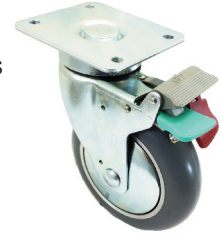
25.4 mm = 1 inch

Mtg. Code	Top Plate Size (mm)	Bolt Hole Spacing (mm)	Mounting Bolt Size (mm)
P1	95 x 70	75 x 45/72 x 52	9
P2	77 x 67	61.5 x 52/56 x 45	8.5
P3*	93 x 60	76.5/73 x 45	8
P6	114 x 101.6	93 x 67	9
P7*	114 x 101.6	76 x 76/92 x 67	9.5
P8	100.3 x 100	80 x 80	10.5

\*US top plate

P1, P2 and P3 plates are available for 125 mm models. P6, P7 and P8 plates are available for 150 mm and 200 mm models.  
To order optional plate sizes change code.

Example: **3CBB6TTP3**.



**NEW TOP PLATE SIZE P63** TP Size: 4" x 4-1/2" • Bolt Pattern: 2-5/8" x 3-5/8" to 3 x 3" • Bolt Dia.: 3/8"

Wheel Diameter (mm)	Tread Width (mm)	Wheel Type	Wheel Bearing	Capacity (lbs)	Swivel Top Plate Bi-Brake Model Number	Free Swivel Model Number	Load Height (mm)	Swivel Radius (mm)
125	32	Thermoplastic Tread	Precision Ball	220	<b>3CBB5TTP63</b>	<b>3C5TTSPP63</b>	161.0	78.0
125	32	Elastic Rubber Tread	Precision Ball	220	<b>3CBB5ERP63</b>	<b>3C5ERSPP63</b>	161.0	78.0
125	32	Gray Polyurethane Tread	Precision Ball	220	<b>3CBB5GPP63</b>	<b>3C5GSPSP63</b>	161.0	78.0
150	40	Thermoplastic Tread	Precision Ball	330	<b>3CBB6TTP63</b>	<b>3C6TTSPP63</b>	196.5	92.0
150	40	Elastic Rubber Tread	Precision Ball	330	<b>3CBB6ERP63</b>	<b>3C6ERSPP63</b>	196.5	92.0
200	40	Elastic Rubber Tread	Precision Ball	330	<b>3CBB8ERP63</b>	<b>3C8ERSPP63</b>	250.5	98.0

All casters available with ABS plastic covers. Change ST to TS.

Other type wheels are available including Nylcron™ Wheels.

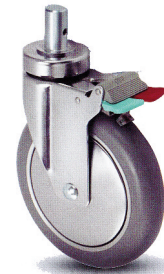
## Round Stem Mounting Options

25.4 mm = 1 inch

Mtg. Code	Stem Diameter (mm)	Stem Length (mm)	Hole to Base (mm)	Mounting Hole (mm)
R8	22	45	19	M8 x 1.25
R9	28	45	19	M8 x 1.25
R16	25.6	45	19	M8 x 1.25

To order optional stem sizes change stem code.

Example: **3CBB6TTR16**.



Wheel Diameter (mm)	Tread Width (mm)	Wheel Type	Wheel Bearing	Capacity (lbs)	Round Stem Bi-Brake Model Number	Free Swivel Model Number	Load Height (mm)	Swivel Radius (mm)
125	32	Thermoplastic Tread	Precision Ball	220	<b>3CBB5TTRP63</b>	<b>3C5TTSRP63</b>	161.0	78.0
125	32	Elastic Rubber Tread	Precision Ball	220	<b>3CBB5ERRP63</b>	<b>3C5ERSRP63</b>	161.0	78.0
125	32	Gray Polyurethane Tread	Precision Ball	220	<b>3CBB5GPRP63</b>	<b>3C5GSPRP63</b>	161.0	78.0
150	40	Thermoplastic Tread	Precision Ball	330	<b>3CBB6TTRP63</b>	<b>3C6TTSRP63</b>	196.5	92.0
150	40	Elastic Rubber Tread	Precision Ball	330	<b>3CBB6ERRP63</b>	<b>3C6ERSRP63</b>	196.5	92.0
200	40	Elastic Rubber Tread	Precision Ball	330	<b>3CBB8ERRP63</b>	<b>3C8ERSRP63</b>	250.5	98.0

All casters available with ABS plastic covers. Change ST to TS. Specify stem size. ie, suffix: R16

Other type wheels are available including Nylcron™ Wheels.