

4

GHKU KINGPINLESS STAINLESS STEEL TOTAL LOCK SERIES CASTERS

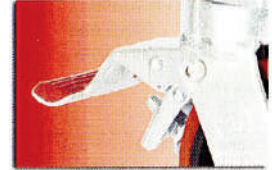


**LEADING SIDE
TOTAL LOCK STAINLESS STEEL SWIVEL CASTER**

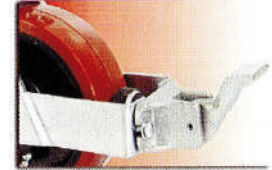
Add TL to swivel caster number



Swivel Head Section



Total Lock System



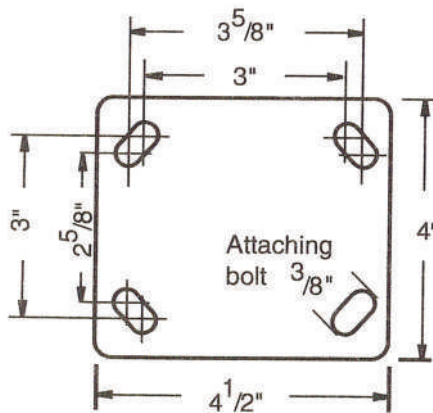
Wheel Face Break



Directional Lock

2,000 LBS. LOAD CAPACITY STAINLESS STEEL KINGPINLESS TYPE CASTERS

- Fabricated AISI 304 Stainless Steel Top Plate and Fork Base
- Precision CNC Machined Raceways with Kingpinless construction
- Totally Sealed Swivel Head with Grease Nipple
- 1/4" Thick Fork Legs Robotically welded Inside & Outside to 2 1/2" fork spacing
- 1/2" Wheel axle
- 4 Position Directional Lock Slots
- Finish: Bright Zinc Plated



TOP PLATE
4 X 4-1/2

BOLT HOLE CENTER
2-5/8 X 3-5/8
SLOTTED TO
3 X 3

ATTACHING BOLT SIZE
3/8

RIG OPTIONS

DL: 4-WAY DIRECTIONAL LOCK

WFB: WHEEL FACE BRAKE

ADD TO SUFFIX

OF THE CASTER PART NUMBER

4

GHKU KINGPINLESS STAINLESS STEEL TOTAL LOCK SERIES CASTERS

NY/MD WHEELS

NYLACRON™ WHEELS

- Precision Machined from Cast Polyamide. Hardness 112-120 Rockwell R
- Ultimate choice for Extremely High Load applications to replace metallic wheels
- Offer very high abrasion resistance and very low rolling resistance under extreme loads

- Resistant to salt, grease, alcohol and mild acids - can be used in corrosive applications with appropriate bearings
- Stainless Steel Precision Ball Bearings
- Temperature Range: -40°F to +270°F



| Part Number Swivel Caster | Part Number Swivel with Total Lock | Part Number Rigid Caster | Wheel Diameter (inch) | Tread Width (inch) | Load Capacity (lbs) | Overall Height (inch) | Swivel Radius (inch) | Swivel Radius w/Total Lock (inch) | Swivel Radius w/Wheel Brake (inch) |
|---------------------------|------------------------------------|--------------------------|-----------------------|--------------------|---------------------|-----------------------|----------------------|-----------------------------------|------------------------------------|
| GHKUSS42SNYMD | GHKUSS42SNYMDTL | GHKUSS42RNYMD | 4 | 2 | 2000 | 5-5/8 | 3-3/16 | 4 | 8-1/2 |
| GHKUSS52SNYMD | GHKUSS52SNYMDTL | GHKUSS52RNYMD | 5 | 2 | 2000 | 6-1/2 | 3-7/8 | 4 | 9-1/2 |
| GHKUSS62SNYMD | GHKUSS62SNYMDTL | GHKUSS62RNYMD | 6 | 2 | 2000 | 7-1/2 | 4-9/16 | 6 | 10 |
| GHKUSS82SNYMD | GHKUSS82SNYMDTL | GHKUSS82RNYMD | 8 | 2 | 2000 | 9-1/2 | 6 | 6 | 11-1/2 |

NY/MC WHEELS

NYLACRON™ WHITE WHEELS

- Precision Machined from Cast Polyamide. Hardness 112-120 Rockwell R
- Ultimate choice for Extremely High Load applications to replace metallic wheels
- Offer very high abrasion resistance and very low rolling resistance under extreme loads

- Resistant to salt, grease, alcohol and mild acids - can be used in corrosive applications with appropriate bearings
- Stainless Steel Precision Ball Bearings
- Temperature Range: -40°F to +270°F



| Part Number Swivel Caster | Part Number Swivel with Total Lock | Part Number Rigid Caster | Wheel Diameter (inch) | Tread Width (inch) | Load Capacity (lbs) | Overall Height (inch) | Swivel Radius (inch) | Swivel Radius w/Total Lock (inch) | Swivel Radius w/Wheel Brake (inch) |
|---------------------------|------------------------------------|--------------------------|-----------------------|--------------------|---------------------|-----------------------|----------------------|-----------------------------------|------------------------------------|
| GHKUSS42SNYMC | GHKUSS42SNYMC TL | GHKUSS42RNYMC | 4 | 2 | 2000 | 5-5/8 | 3-3/16 | 4 | 8-1/2 |
| GHKUSS52SNYMC | GHKUSS52SNYMC TL | GHKUSS52RNYMC | 5 | 2 | 2000 | 6-1/2 | 3-7/8 | 4 | 9-1/2 |
| GHKUSS62SNYMC | GHKUSS62SNYMC TL | GHKUSS62RNYMC | 6 | 2 | 2000 | 7-1/2 | 4-9/16 | 6 | 10 |
| GHKUSS82SNYMC | GHKUSS82SNYMC TL | GHKUSS82RNYMC | 8 | 2 | 2000 | 9-1/2 | 6 | 6 | 11-1/2 |

NN WHEELS

NYLON WHEELS

- Injection molded from Nylon 6
- 100% washable & steam cleanable; impervious to water, highly resistant to organic solvents, most chemicals & cleaning solutions; ideal for use in food processing and packaging plants
- Offer high impact strength and exceptional abrasion resistance

- Hard tread has slight crown and rolls very easily
- Non-marking
- Durometer: 75 Shore D (+/-5)
- Stainless Steel Precision Ball Bearings
- Temperature Range: -40°F to +180°F
- Available in Anti-Static add "AS"



| Part Number Swivel Caster | Part Number Swivel with Total Lock | Part Number Rigid Caster | Wheel Diameter (inch) | Tread Width (inch) | Load Capacity (lbs) | Overall Height (inch) | Swivel Radius (inch) | Swivel Radius w/Total Lock (inch) | Swivel Radius w/Wheel Brake (inch) |
|---------------------------|------------------------------------|--------------------------|-----------------------|--------------------|---------------------|-----------------------|----------------------|-----------------------------------|------------------------------------|
| GHKUSS42SNN | GHKUSS42SNN TL | GHKUSS42RNN | 4 | 2 | 1320 | 5-5/8 | 3-3/16 | 4 | 8-1/2 |
| GHKUSS52SNN | GHKUSS52SNN TL | GHKUSS52RNN | 5 | 2 | 1320 | 6-1/2 | 3-7/8 | 4 | 9-1/2 |
| GHKUSS62SNN | GHKUSS62SNN TL | GHKUSS62RNN | 6 | 2 | 1320 | 7-1/2 | 4-9/16 | 6 | 10 |
| GHKUSS82SNN | GHKUSS82SNN TL | GHKUSS82RNN | 8 | 2 | 2000 | 9-1/2 | 6 | 6 | 11-1/2 |

4

GHKU KINGPINLESS STAINLESS STEEL TOTAL LOCK SERIES CASTERS

SS WHEELS

STAINLESS STEEL WHEELS

- Type 304 Stainless Steel
- Non-magnetic & Non-sparking
- Excellent corrosion resistance
- Slightly crowned tread face with rounded corners
- Stainless Steel Precision Ball Bearings

- Temperature Range: 800°F

Custom Stainless Steel Wheels
made to your specifications

V-Groove - VG

Flanged - FL



| Part Number Swivel Caster | Part Number Swivel with Total Lock | Part Number Rigid Caster | Wheel Diameter (inch) | Tread Width (inch) | Load Capacity (lbs) | Overall Height (inch) | Swivel Radius (inch) | Swivel Radius w/Total Lock (inch) | Swivel Radius w/Wheel Brake (inch) |
|---------------------------|------------------------------------|--------------------------|-----------------------|--------------------|---------------------|-----------------------|----------------------|-----------------------------------|------------------------------------|
| GHKUSS42SSS | GHKUSS42SSSTL | GHKUSS42RSS | 4 | 2 | 1000 | 5-5/8 | 3-3/16 | 4 | 8-1/2 |
| GHKUSS52SSS | GHKUSS52SSSTL | GHKUSS52RSS | 5 | 2 | 1000 | 6-1/2 | 3-7/8 | 4 | 9-1/2 |
| GHKUSS62SSS | GHKUSS62SSSTL | GHKUSS62RSS | 6 | 2 | 1000 | 7-1/2 | 4-9/16 | 6 | 10 |
| GHKUSS82SSS | GHKUSS82SSSTL | GHKUSS82RSS | 8 | 2 | 1000 | 9-1/2 | 6 | 6 | 11-1/2 |

SEN WHEELS

SOLID ELASTOMER WHEEL NYLON CORE

- 70 Shore (D) durometer
- FDA standards for use in food processing environments
- 100% Washable

- Stainless Steel Precision Ball Bearings
- Glass-filled nylon core insert endures heat
- High impact and abrasion resistant
- Resists oil, grease, water, and most solvents
- Temp Range: -50°F to +180°F



| Part Number Swivel Caster | Part Number Swivel with Total Lock | Part Number Rigid Caster | Wheel Diameter (inch) | Tread Width (inch) | Load Capacity (lbs) | Overall Height (inch) | Swivel Radius (inch) | Swivel Radius w/Total Lock (inch) | Swivel Radius w/Wheel Brake (inch) |
|---------------------------|------------------------------------|--------------------------|-----------------------|--------------------|---------------------|-----------------------|----------------------|-----------------------------------|------------------------------------|
| GHKUSS42SSEN | GHKUSS42SSENTL | GHKUSS42RSEN | 4 | 2 | 1000 | 5-5/8 | 3-3/16 | 4 | 8-1/2 |
| GHKUSS52SSEN | GHKUSS52SSENTL | GHKUSS52RSEN | 5 | 2 | 1400 | 6-1/2 | 3-7/8 | 4 | 9-1/2 |
| GHKUSS62SSEN | GHKUSS62SSENTL | GHKUSS62RSEN | 6 | 2 | 1700 | 7-1/2 | 4-9/16 | 6 | 10 |
| GHKUSS82SSEN | GHKUSS82SSENTL | GHKUSS82RSEN | 8 | 2 | 2000 | 9-1/2 | 6 | 6 | 11-1/2 |

KR WHEELS

SOLID POLYURETHANE KRYPTONIC™ WHEELS

- Polyether Polyurethane has excellent carrying capacity.
- Crown shape affords an easy-rolling quiet operation
- Greater service life and resistance to chunking, cutting and abrasive wear

- 100% washable, steam cleanable, and resistant to most chemicals
- Non-marking tread
- Durometer: 58 Shore D (+/-5)
- Stainless Steel Precision Ball Bearings
- Temperature Range: + 250°F for up to a 1/2 hour.
- Available in 5" HI-temp gray + 250°F for 5 to 6 hrs. add: "G" after "KR". Example: GHKUSS42/SKRG.



| Part Number Swivel Caster | Part Number Swivel with Total Lock | Part Number Rigid Caster | Wheel Diameter (inch) | Tread Width (inch) | Load Capacity (lbs) | Overall Height (inch) | Swivel Radius (inch) | Swivel Radius w/Total Lock (inch) | Swivel Radius w/Wheel Brake (inch) |
|---------------------------|------------------------------------|--------------------------|-----------------------|--------------------|---------------------|-----------------------|----------------------|-----------------------------------|------------------------------------|
| GHKUSS42SKR | GHKUSS42SKRTL | GHKUSS42RKR | 4 | 2 | 500 | 5-5/8 | 3-3/16 | 4 | 8-1/2 |
| GHKUSS52SKR | GHKUSS52SKRTL | GHKUSS52RKR | 5 | 2 | 600 | 6-1/2 | 3-7/8 | 4 | 9-1/2 |
| GHKUSS62SKR | GHKUSS62SKRTL | GHKUSS62RKR | 6 | 2 | 700 | 7-1/2 | 4-9/16 | 6 | 10 |
| GHKUSS82SKR | GHKUSS82SKRTL | GHKUSS82RKR | 8 | 2 | 800 | 9-1/2 | 6 | 6 | 11-1/2 |