

31/32/TS SERIES KINGPIN STAINLESS STEEL CASTERS



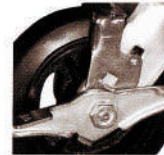
SWIVEL CASTER AND TOTAL LOCK STAINLESS STEEL CASTER WITH KR WHEEL
Add TL to swivel caster number



STAINLESS STEEL FOOT ACTIVATED SWIVEL LOCK

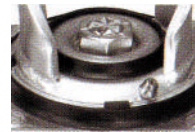


TECH-LOCK PEDAL BRAKE
H



TOP-LOCK BRAKE
T

OPTION RACEWAY SEALS



L
Thermo - plastic
up to 140° F

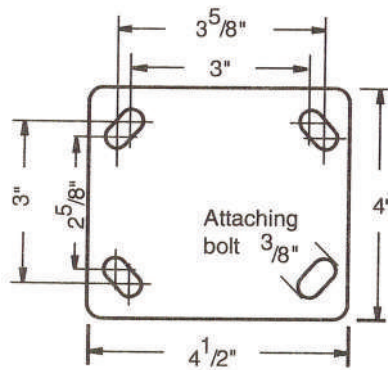


H
H.T. Neoprene
up to 380° F

***ADD TO SWIVEL OR TOTAL LOCK RIGS.
ALL SWIVEL SECTIONS ARE SEALED.**

1,250 LBS. LOAD CAPACITY STAINLESS STEEL TYPE CASTERS

- All metal parts made from 304 Stainless Steel 100% washable
- Double Ball Raceway offers smooth swiveling action, strength and long service life.
- Wash down, high temperature autoclavable wheels
- 1/4" Thick Fork Legs Robotically welded 2 1/2" spacing
- Kingpin 5/8" nut & bolt
- 1/2" Wheel axle
- Stainless Steel Precision Ball Bearings
- Polished Stainless Steel Rig available add "P"



TOP PLATE
4 X 4-1/2

BOLT HOLE CENTER
2-5/8 X 3-5/8
SLOTTED TO
3 X 3

ATTACHING BOLT SIZE
3/8

ALL WHEELS AVAILABLE WITH STAINLESS STEEL ROLLER BEARINGS OR DELRIN BUSHING

NY/MD
WHEELS

NYLACRON™ WHEELS

- Precision Machined from Cast Polyamide. Hardness 112-120 Rockwell R
- Ultimate choice for Extremely High Load applications to replace metallic wheels
- Offer very high abrasion resistance and very low rolling resistance under extreme loads

- Resistant to salt, grease, alcohol and mild acids - can be used in corrosive applications with appropriate bearings
- Stainless Steel Precision Ball Bearings
- Temperature Range: -40°F to +270°F



Part Number Swivel Caster	Part Number Swivel with Total Lock	Part Number Rigid Caster	Wheel Diameter (inch)	Tread Width (inch)	Load Capacity (lbs)	Overall Height (inch)	Swivel Radius (inch)	Swivel Radius w/Total Lock (inch)	Swivel Radius w/Wheel Brake (inch)
31SS42NYMD	32SS42NYMDTL	TSSS42NYMD	4	2	1250	5-5/8	3-3/16	4	8-1/2
31SS52NYMD	32SS52NYMDTL	TSSS52NYMD	5	2	1250	6-1/2	3-7/8	4	9-1/2
31SS62NYMD	32SS62NYMDTL	TSSS62NYMD	6	2	1250	7-1/2	4-9/16	6	10
31SS82NYMD	32SS82NYMDTL	TSSS82NYMD	8	2	1250	9-1/2	6	6	11-1/2

NY/MC
WHEELS

NYLACRON™ WHEELS WHITE

- Precision Machined from Cast Polyamide. Hardness 112-120 Rockwell R
- Ultimate choice for Extremely High Load applications to replace metallic wheels
- Offer very high abrasion resistance and very low rolling resistance under extreme loads

- Resistant to salt, grease, alcohol and mild acids - can be used in corrosive applications with appropriate bearings
- Stainless Steel Precision Ball Bearings
- Temperature Range: -40°F to +270°F



Part Number Swivel Caster	Part Number Swivel with Total Lock	Part Number Rigid Caster	Wheel Diameter (inch)	Tread Width (inch)	Load Capacity (lbs)	Overall Height (inch)	Swivel Radius (inch)	Swivel Radius w/Total Lock (inch)	Swivel Radius w/Wheel Brake (inch)
31SS42NYMC	32SS42NYMCTL	TSSS42NYMC	4	2	1250	5-5/8	3-3/16	4	8-1/2
31SS52NYMC	32SS52NYMCTL	TSSS52NYMC	5	2	1250	6-1/2	3-7/8	4	9-1/2
31SS62NYMC	32SS62NYMCTL	TSSS62NYMC	6	2	1250	7-1/2	4-9/16	6	10
31SS82NYMC	32SS82NYMCTL	TSSS82NYMC	8	2	1250	9-1/2	6	6	11-1/2

NN
WHEELS

NYLON WHEELS

- Injection molded from Nylon 6
- 100% washable & steam cleanable; impervious to water, highly resistant to organic solvents, most chemicals & cleaning solutions; ideal for use in food processing and packaging plants
- Offer high impact strength and exception abrasion resistance

- Hard tread has slight crown and rolls very easily
- Non-marking
- Durometer: 75 Shore D (+/-5)
- Stainless Steel Precision Ball Bearings
- Temperature Range: -40°F to +180°F
- Available in Anti-Static add "AS"



Part Number Swivel Caster	Part Number Swivel with Total Lock	Part Number Rigid Caster	Wheel Diameter (inch)	Tread Width (inch)	Load Capacity (lbs)	Overall Height (inch)	Swivel Radius (inch)	Swivel Radius w/Total Lock (inch)	Swivel Radius w/Wheel Brake (inch)
31SS42NN	32SS42NNTL	TSSS42NN	4	2	1250	5-5/8	3-3/16	4	8-1/2
31SS52NN	32SS52NNTL	TSSS52NN	5	2	1250	6-1/2	3-7/8	4	9-1/2
31SS62NN	32SS62NNTL	TSSS62NN	6	2	1250	7-1/2	4-9/16	6	10
31SS82NN	32SS82NNTL	TSSS82NN	8	2	1250	9-1/2	6	6	11-1/2

4

31/32/TS SERIES KINGPIN STAINLESS STEEL CASTERS

SS
WHEELS

STAINLESS STEEL WHEELS

- Type 304 Stainless Steel
- Non-magnetic & Non-sparking
- Excellent corrosion resistance
- Slightly crowned tread face with rounded corners

- Stainless Steel Precision Ball Bearings
- Temperature Range: 800°F

**Custom Stainless Steel Wheels
made to your specifications**

**V-Groove - VG
Flanged - FL**



Part Number Swivel Caster	Part Number Swivel with Total Lock	Part Number Rigid Caster	Wheel Diameter (inch)	Tread Width (inch)	Load Capacity (lbs)	Overall Height (inch)	Swivel Radius (inch)	Swivel Radius w/Total Lock (inch)	Swivel Radius w/Wheel Brake (inch)
31SS42SS	32SS42SS	TSSS42SS	4	2	1250	5-5/8	3-3/16	4	8-1/2
31SS52SS	32SS52SS	TSSS52SS	5	2	1250	6-1/2	3-7/8	4	9-1/2
31SS62SS	32SS62SS	TSSS62SS	6	2	1250	7-1/2	4-9/16	6	10
31SS82SS	32SS82SS	TSSS82SS	8	2	1250	9-1/2	6	6	11-1/2

SEN
WHEELS

SOLID ELASTOMER WHEEL NYLON CORE

- 70 Shore (D) durometer
- FDA standards for use in food processing environments
- 100% Washable

- Glass-filled nylon core insert endures heat
- High impact and abrasion resistant
- Resists oil, grease, water, and most solvents
- Stainless Steel Precision Ball Bearings
- Temp Range: -50°F to +180°F



Part Number Swivel Caster	Part Number Swivel with Total Lock	Part Number Rigid Caster	Wheel Diameter (inch)	Tread Width (inch)	Load Capacity (lbs)	Overall Height (inch)	Swivel Radius (inch)	Swivel Radius w/Total Lock (inch)	Swivel Radius w/Wheel Brake (inch)
31SS42SEN	32SS42SEN	TSSS42SEN	4	2	900	5-5/8	3-3/16	4	8-1/2
31SS52SEN	32SS52SEN	TSSS52SEN	5	2	900	6-1/2	3-7/8	4	9-1/2
31SS62SEN	32SS62SEN	TSSS62SEN	6	2	900	7-1/2	4-9/16	6	10
31SS82SEN	32SS82SEN	TSSS82SEN	8	2	900	9-1/2	6	6	11-1/2

KR
WHEELS

SOLID POLYURETHANE KRYPTONIC™ WHEELS

- Polyether Polyurethane has excellent carrying capacity.
- Crown shape affords an easy-rolling quiet operation
- Greater service life and resistance to chunking, cutting and abrasive wear

- 100% washable, steam cleanable, and resistant to most chemicals
- Non-marking tread
- Durometer: 58 Shore D (+/-5)
- Stainless Steel Precision Ball Bearings
- **Available in 5" hi-temp gray + 250°F for 5 to 6 hrs. add: "G" after "KR". Example: Y582P1CR/KRG5**



Part Number Swivel Caster	Part Number Swivel with Total Lock	Part Number Rigid Caster	Wheel Diameter (inch)	Tread Width (inch)	Load Capacity (lbs)	Overall Height (inch)	Swivel Radius (inch)	Swivel Radius w/Total Lock (inch)	Swivel Radius w/Wheel Brake (inch)
31SS42KR	32SS42KR	TSSS42KR	4	2	800	5-5/8	3-3/16	4	8-1/2
31SS52KR	32SS52KR	TSSS52KR	5	2	900	6-1/2	3-7/8	4	9-1/2
31SS62KR	32SS62KR	TSSS62KR	6	2	900	7-1/2	4-9/16	6	10
31SS82KR	32SS82KR	TSSS82KR	8	2	900	9-1/2	6	6	11-1/2

OTHER TYPE WHEELS AVAILABLE FOR THIS SERIES:

NYLON FIBERGLASS (NG), NYLACRON™ MD (NY/MD), NYLACRON™ MONOCAST (NY/MC), HIGH TEMP PHENOLIC (TR) AND HEATEATER (HE)

SEE WHEEL SECTION FOR COMPLETE SPECIFICATIONS.

4

31/32/TS SERIES KINGPIN STAINLESS STEEL CASTERS

HE
WHEELS

HI-TEMP NYLON WHEELS

- Ideal for speciality applications
- Won't chip, absorbs water or breakdown in caustic environments

- Moderate crown, black finish
- Durometer: 85 Shore D +5
- Stainless Steel Rolling Bearings
- Temperature Range: up to +475°F



Part Number Swivel Caster	Part Number Swivel with Total Lock	Part Number Rigid Caster	Wheel Diameter (inch)	Tread Width (inch)	Load Capacity (lbs)	Overall Height (inch)	Swivel Radius (inch)	Swivel Radius w/Total Lock (inch)	Swivel Radius w/Wheel Brake (inch)
31SS42HEZB03	32SS42HEZB03	TSSS42HEZB03	4	2	800	5-5/8	3-3/16	4	8-1/2
31SS52HEZB03	32SS52HEZB03	TSSS52HEZB03	5	2	1000	6-1/2	3-7/8	4	9-1/2
31SS62HEZB03	32SS62HEZB03	TSSS62HEZB03	6	2	1200	7-1/2	4-9/16	6	10
31SS82HEZB03	32SS82HEZB03	TSSS82HEZB03	8	2	1400	9-1/2	6	6	11-1/2

RW
WHEELS

RETORT POLYPROPYLENE WHEELS

- Designed to withstand the rigors of high temperature
- Oversized bore ID ensures smooth movement even if wheels experience heat expansion

- Moderate crown, white finish
- Durometer: 75 Shore D
- Stainless Steel Rolling Bearings
- Temperature Range: -20°F to +290°F



Part Number Swivel Caster	Part Number Swivel with Total Lock	Part Number Rigid Caster	Wheel Diameter (inch)	Tread Width (inch)	Load Capacity (lbs)	Overall Height (inch)	Swivel Radius (inch)	Swivel Radius w/Total Lock (inch)	Swivel Radius w/Wheel Brake (inch)
31SS42RWZB03	32SS42RWZB03	TSSS42RWZB03	4	2	500	5-5/8	3-3/16	4	8-1/2
31SS52RWZB03	32SS52RWZB03	TSSS52RWZB03	5	2	1250	6-1/2	3-7/8	4	9-1/2
31SS62RWZB03	32SS62RWZB03	TSSS62RWZB03	6	2	1250	7-1/2	4-9/16	6	10
31SS82RWZB03	32SS82RWZB03	TSSS82RWZB03	8	2	1250	9-1/2	6	6	11-1/2

NG
WHEELS

GLASS FILLED NYLON WHEELS

- Injection molded, 30% glass filled nylon wheel
- 100% washable & steam cleanable, not affected by grease, oils, most chemicals & cleaning solutions, salt, brine & blood
- Extreme impact strength, good abrasion and compression resistance

- Offers a smooth ergonomic ride; requires less effort to start up and maintain a rolling load
- Durometer: 85 Shore D (+/-5)
- Stainless Steel Pedestal Precision Ball Bearings
- Temperature Range: -45°F to +250°F up to 3500 F, when used with all metallic bearings and high-temp grease



Part Number Swivel Caster	Part Number Swivel with Total Lock	Part Number Rigid Caster	Wheel Diameter (inch)	Tread Width (inch)	Load Capacity (lbs)	Overall Height (inch)	Swivel Radius (inch)	Swivel Radius w/Total Lock (inch)	Swivel Radius w/Wheel Brake (inch)
31SS42NG	32SS42NG	TSSS42NG	4	2-3/16	800	5-5/8	3-3/16	4	8-1/2
31SS52NG	32SS52NG	TSSS52NG	5	2-3/16	1000	6-1/2	3-7/8	4	9-1/2
31SS62NG	32SS62NG	TSSS62NG	6	2-3/16	1200	7-1/2	4-9/16	6	10
31SS82NG	32SS82NG	TSSS82NG	8	2-3/16	1400	9-1/2	6	6	11-1/2