

Nitto Kohki DIE GRINDERS

Acorn Industrial Products Co

520 Hertzog Boulevard | King of Prussia, PA 19406

Phone 800-523-5474 | Fax 800-782-6780

E-Mail acorn@acornindprod.com | Web acornindprod.com

Die Grinder Features

- Ideal for most deburring, finishing and grinding applications
- Precision machined with heavy duty spindle and support bearings
- Rear exhaust with patented noise reduction system
- Suitable for industrial and production applications
- Locking throttle lever helps prevent accidental start-up
- Accepts most stone-type and rotary carbide burrs with 1/4" shanks



Model	L-35C*
Air Pressure	85 psi
Air Consumption	12.4 CFM
Free Speed	37,500 RPM
Size of Collet Chuck	1/4"
Hose Size Requirement	3/8" ID
Dimension	6-23/32"
Weight (w/o hose)	1.0 lbs.
Accessories Included	1/8" chuck sleeve, grinding stone, spanner, air hose

*Stone type bits: must be safety approved to operate at or above 37,500 rpm

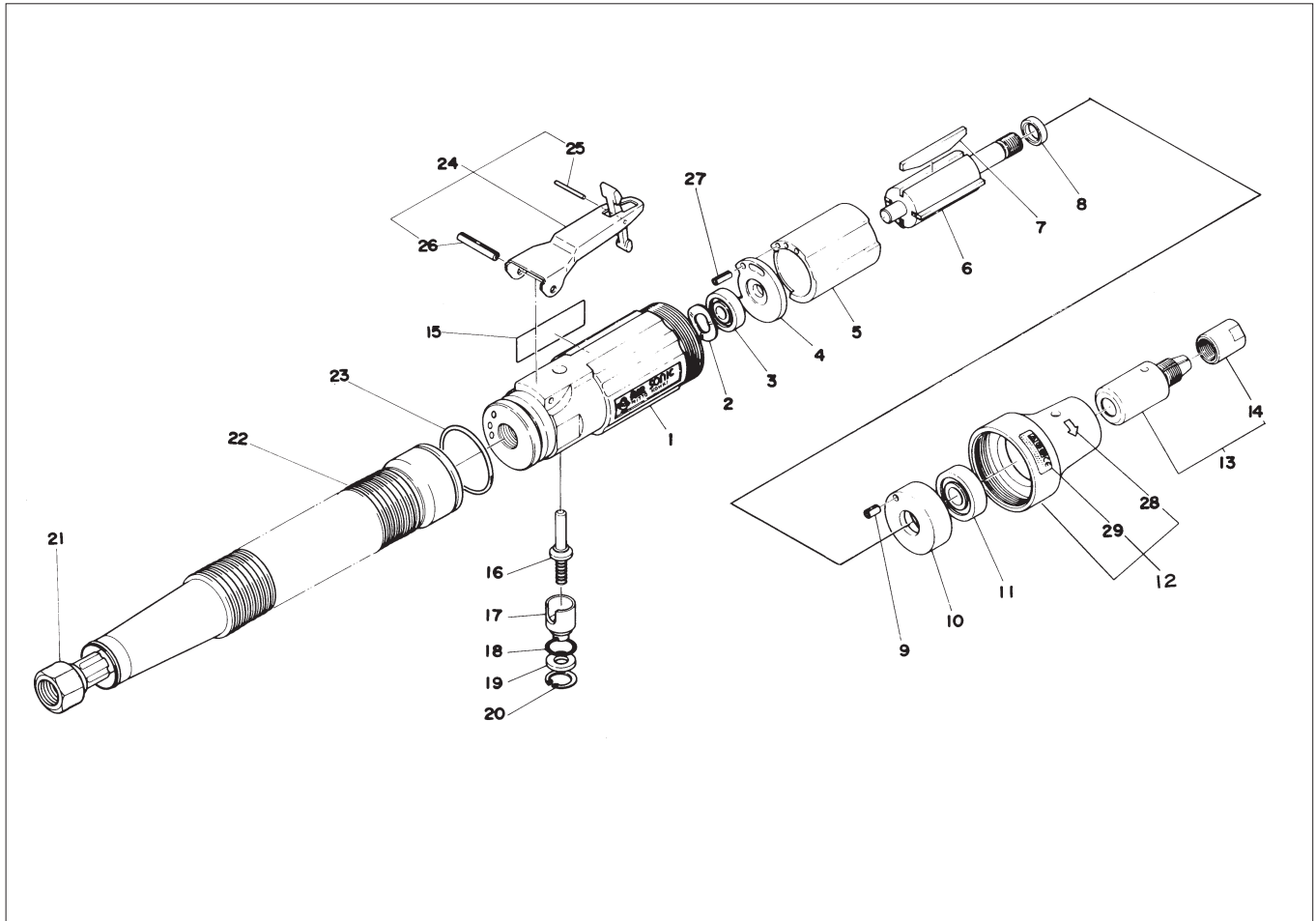


Model	L-25B
Air Pressure	85 psi
Air Consumption	14.1 CFM
Free Speed	27,000 RPM
Size of Collet Chuck	1/4"
Hose Size Requirement	3/8" ID
Dimension	5-11/32"
Weight (w/o hose)	1.3 lbs.
Accessories Included	1/8" chuck sleeve, grinding stones, spanner, air hose, chuck pin
Optional Accessories	3/16" chuck sleeve



Model	AL-55
Air Pressure	85 psi
Air Consumption (no load)	6 CFM
Free Speed	56,500 RPM
Size of Collet Chuck	1/8"
Hose Size	1/4"
Dimension	5-1/16"
Weight (w/o hose)	.55 lbs.
Accessories Included	2 spanner wrenches, mounted grinding stone, mounted wheel 5x13x3

AIR SONIC L-25B ASSEMBLY AND PARTS LIST



The part numbers with () are included in the Ass'y parts written above them.

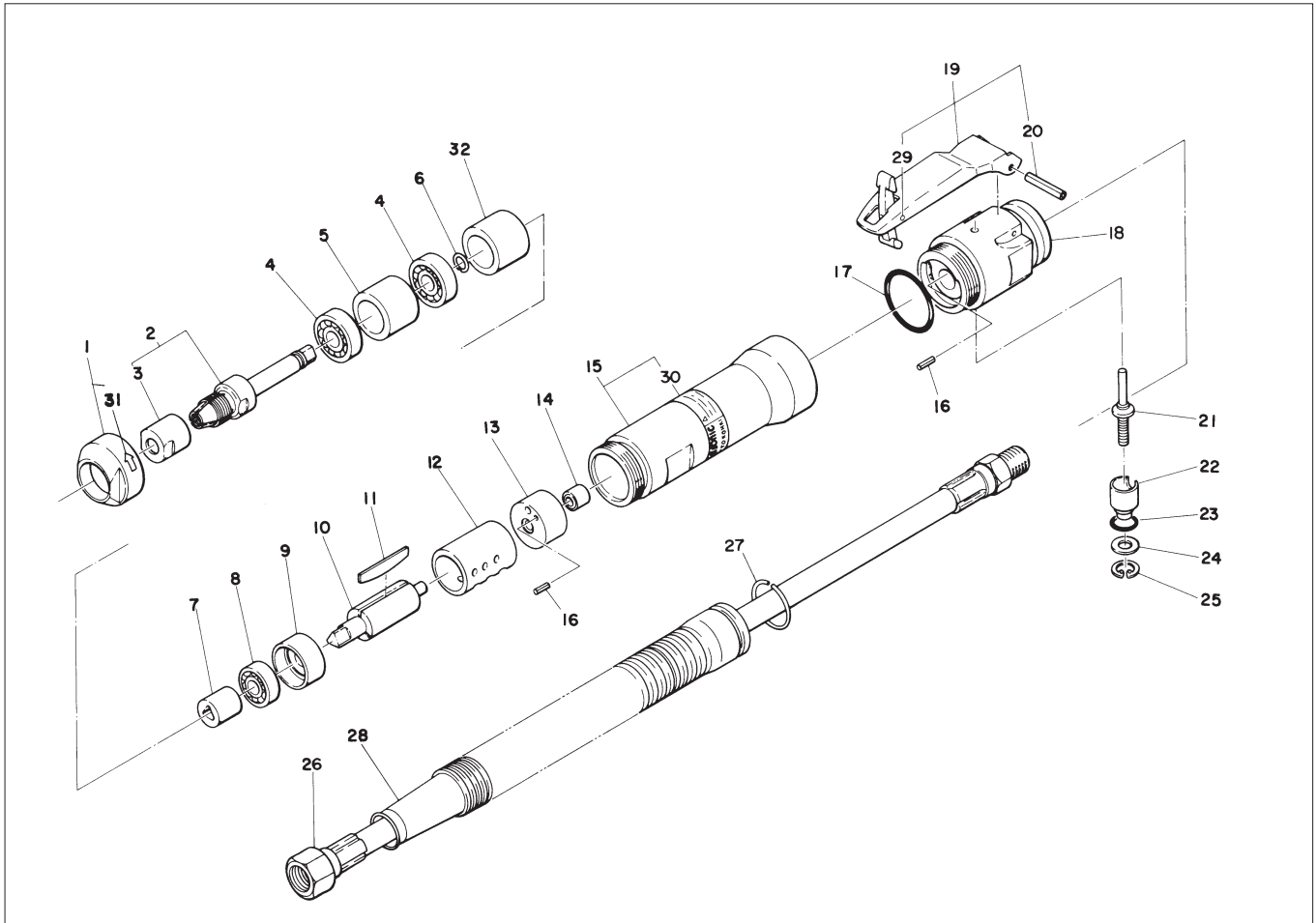
No.	Part No.	Part Name	Q'ty	Price
1	TP11479	Housing	1 set	
15	(TQ02058)	Label Warning	1	
2	TP06117	Wave Washer 12 X 16 X 0.3	1	
3	TP03933	Bearing R-1760 ZZ	1	
4	TP06119	End Plate A	1	
5	TP06121	Cylinder	1	
6	TQ06118	Rotor	1	
7	TA9A287	Blades (4 pcs/set)	1 set	
8	TP06322	Spacer 8 X 11 X 3	1	
9	TP00496	Spring Pin 2.5 X 6	1	
10	TP14931	End Plate B	1	
11	TP00468	Ball Bearing 608Z	1	
12	TP06323	Lock Ring Ass'y	1 set	
28	(TP12437)	Label -Direction	1	
29	(TQ02207)	Label CE-Mark	1	
13	TA96328	MM Chuck Ass'y	1 set	
	TA96329	Inch Chuck Ass'y	1 set	
14	(TP10742)	Chuck Nut	1	
16	TA93070	Valve Stem Ass'y	1 set	
17	TP06325	Adjust Valve	1	
18	TP11997	O-Ring KS-7	1	
19	TP06326	Spacer 6 X 12 X 1.2	1	

No.	Part No.	Part Name	Q'ty	Price
20	TP03695	Retaining Ring	1	
21	TA96867	Air Hose Ass'y PT1/4	1 set	
22	TQ01664	Exhaust Hose	1	
23	TP09153	Stop Ring 0-27 X 2.6	1	
24	TB01152	Lever Ass'y	1 set	
25	(TP05498)	Spring Pin 2 X 16	1	
26	(TP00460)	Spring Pin 3 X 22	1	
27	TP12435	Spring Pin 2.5 X 10	1	

ACCESSORIES

	TP00475	Spanner 14	1	
	TP03840	Chunk Pin	1	
	TQ04067	Instruction Manual	1	
	TQ04068	Instruction Manual (USA)	1	
	TP02236	Reducer PT1/4 X NPT1/4	1	
	TP02804	Chuck Sleeve 1/4 X 1/8	1	
	TP02805	Chuck Sleeve 1/4 X 3/16	1	

AIR SONIC L-35C ASSEMBLY AND PARTS LIST



The Part Numbers with () are included in the Ass'y parts written above them.

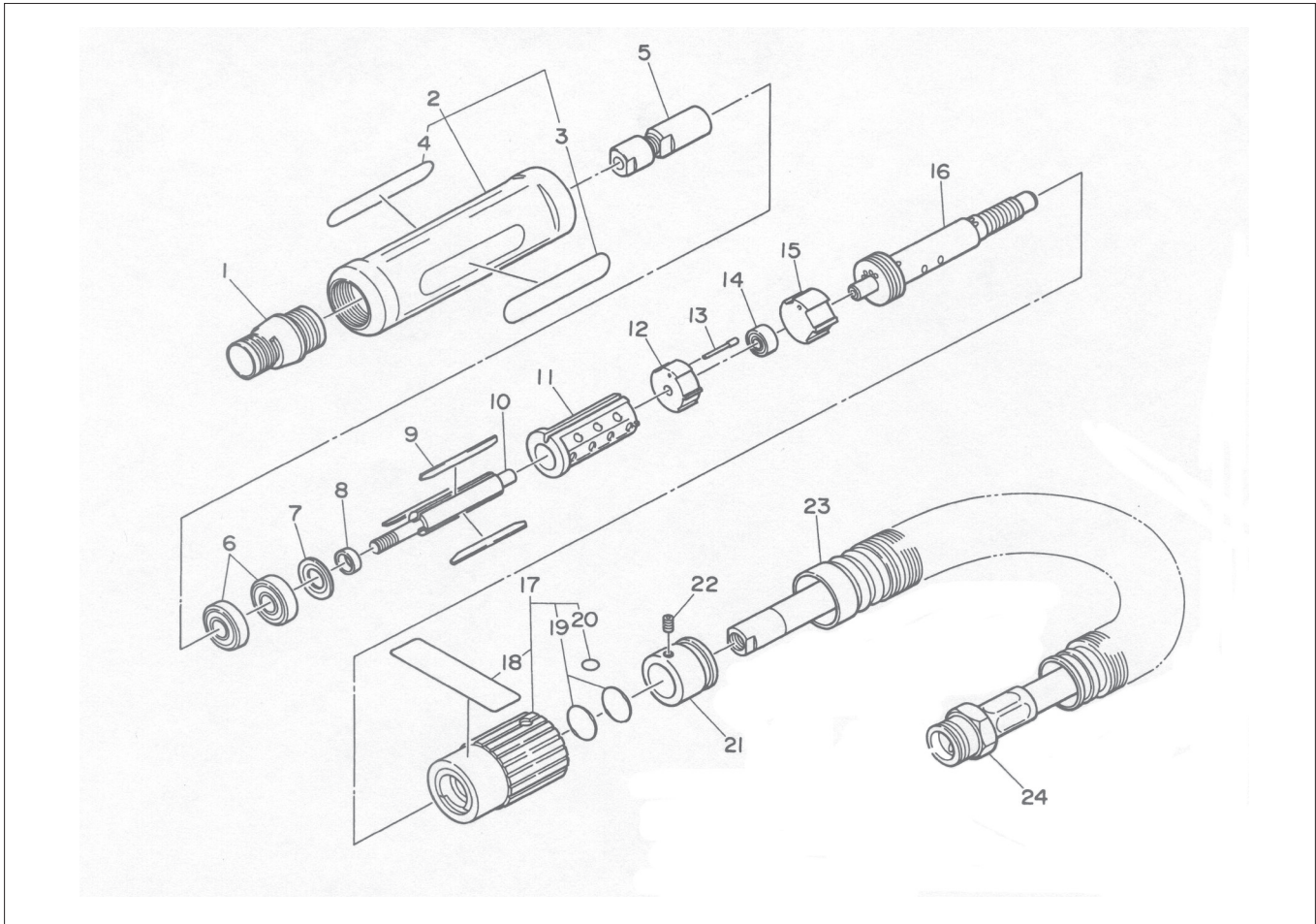
No.	Part No.	Part Name	Q'ty	Price
1	TB01632	Cap Ass'y	1 set	
31	(TP12437)	Label -Direction	1	
2	TB02507	6mm Chuck Sub Ass'y	1 set	
	TB02511	Chuck 1/4" Sub Ass'y	1 set	
3	(TP10742)	Chuck Nut	1	
4	FQ00263	Bearing 6900ZZ	2	
5	TQ03266	Collar A (Spacer)	1	
6	TP04930	Stop Ring 6.8 X 1.0	1	
7	TA99920	Joint Ass'y	1 set	
8	TP06386	Ball Bearing 607 ZZ	1	
9	TP04936	End Plate B	1	
10	TP11751	Rotor	1	
11	TA9A286	Blades (3 pcs/set)	1 set	
12	TP04938	Cylinder	1	
13	TP11752	End Plate A	1	
14	TP11753	Needle Bearing	1	
15	TB03149	Housing Ass'y	1 set	
30	(TQ04065)	Label CE-Mark	1	
16	TP07006	Spring Pin 2 X 8	2	
17	TP07951	O-Ring S-28	1	
18	TP11755	Valve Body	1	

No.	Part No.	Part Name	Q'ty	Price
19	TB01152	Lever Ass'y	1 set	
29	(TP05498)	Spring Pin 2 X 16	1	
20	(TP00460)	Spring Pin 3 X 22	1	
21	TA93070	Valve Stem Ass'y	1 set	
22	TP06325	Adjust Valve	1	
23	TP11997	O-Ring KS-7	1	
24	TP06326	Spacer 6 X 12 X 1.2	1	
25	TP03695	Retaining Ring	1	
26	TA96867	Air Hose Ass'y PT1/4	1 set	
27	TP09153	Stop Ring 0-27 X 2.6	1	
28	TQ01664	Exhaust Hose	1	
32	TP11748	Collar	1	

ACCESSORIES

	TP00475	Spanner 14	2	
	TP10471	Grinding Attachment	1	
	TQ04067	Instruction Manual	1	
	TQ04068	Instruction Manual (USA)	1	
	TP02236	Reducer PT1/4 X NPT1/4	1	
	TP02804	Chuck Sleeve 1/4 X 1/8	1	
	TP02805	Chuck Sleeve 1/4 X 3/16	1	

AIR SONIC AL-55 ASSEMBLY AND PARTS LIST



The Part Numbers with () are included in the Ass'y parts written above them.

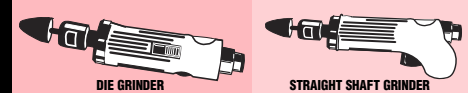
No.	Part No.	Part Name	Q'ty	Price
1	TQ04536	Front Cover	1	
2	TB03484	Housing Ass'y	1 set	
3	(TQ04361)	Model Number Label	1	
4	(TQ04362)	Specification Label	1	
5	TB03308	Chuck Ass'y 3mm	1 set	
	TB03453	Chuck 1/8" Ass'y	1 set	
6	TQ04348	Front Ball Bearing	2	
7	TQ04346	End Plate B	1	
8	TQ04347	Spacer	1	
9	TB03352	Blades (3 pcs/set)	1 set	
10	TQ04343	Rotor	1	
11	TQ04344	Cylinder	1	
12	TQ04345	End Plate A	1	
13	TQ04365	Positioning Pin	1	
14	TQ04349	Rear Ball Bearing	1	
15	TQ04364	Intake Plate	1	
16	TB03309	Hose Plug Ass'y	1 set	

No.	Part No.	Part Name	Q'ty	Price
17	TB03485	Valve Ass'y	1 set	
18	(TQ04531)	Label Warning CE MARK	1	
19	(TP12004)	O-Ring P-10	2	
20	(TP11994)	O-Ring P-4	1	
21	TQ04366	Rear End Holder	1	
22	TQ04369	Hex. Socket Set Screw 4 X 3	1	
23	TQ04367	Exhaust Hose	1	
24	TQ04368	Charge Hose	1	

ACCESSORIES

	TQ04537	Mounted Wheel 5 X 13 X 1/8	1	
	TB03355	Spanner Ass'y	1 set	
	(TQ04370)	Spanner 7	1	
	(TQ04371)	Spanner 7 X 9	1	
	TQ04068	Instruction Manual	1	

MOUNTED POINTS



DIE GRINDER

STRAIGHT SHAFT GRINDER

Resin bond, vitrified bond, center lap, and BF3 cotton fiber mounted wheels are available in a wide range of shapes.

Typical Applications

BF3 Cotton Fiber Mounted Points

- Blending and polishing

Resin Bond Mounted Points

- Removing parting lines, fins and small risers from castings
- Smoothing and blending of welded areas

Center Lap Mounted Points

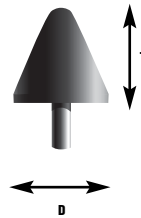
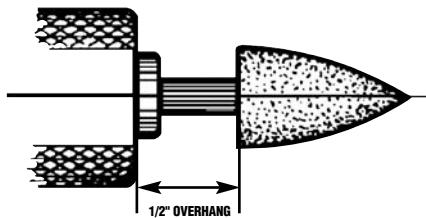
- For use on Ex-Cello Center Lap and similar machines
- Produce accurate centers, precisely angled, truly conical, and free from ridges for cylindrical grinding

Vitrified Bond Mounted Points

- Blending contours
- Deburring molded parts and mold finishing
- ID grinding
- Offhand bench grinding
- Tool and die



Measurements for Mounted Points



Description of Overhang

Overhang is the distance between the grinder chuck and the abrasive on the spindle. The larger the overhang, the lower the maximum safe operating speed.

Size

Measured by diameter (D) x thickness (T)

BF3 Cotton Fiber Mounted Points

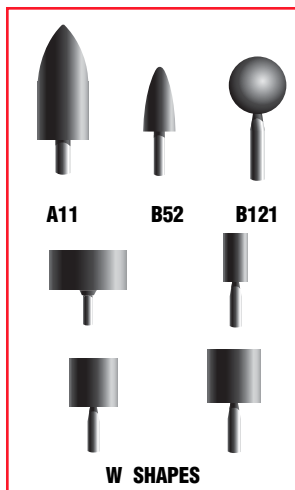
BEST BF3 Cotton Fiber Mounted Points – For blending and polishing

FEATURES

- 80 grit
- 120 grit

BENEFITS

- For most materials
- For polishing and stainless steel applications



SHAPE	SIZE D X T	SPINDLE†	MAX. RPM*	MIN./STD. PKG.	BEST	
					SPEC	UPC NO.
A11	7/8 x 2	1/4	25,420	25/25	A80-HBF3	61463622664
B52	3/8 x 3/4	1/8	64,810	25/25	A120-HBF3	61463620242
B121	1/2" Ball	1/8	62,420	25/25	A80-HBF3	61463622657
W163	1/4 x 1/2	1/8	59,990	25/25	A80-HBF3 A120-HBF3	61463622655 61463622656
W176	3/8 x 1/2	1/8	50,460	25/25	A80-HBF3	61463622654
W185	1/2 x 1/2	1/8	42,750	25/25	A80-HBF3	61463622649
W187	1/2 x 1	1/8	22,630	25/25	A80-HBF3	61463622651
W220	1 x 1	1/4	30,370	25/25	A80-HBF3	61463622646

† SHANK LENGTH IS 1-1/2".

* MAXIMUM OPERATING SPEED BASED ON 1/2" OVERHANG.



Resin Bond Mounted Points

A broad stock offering of premium quality mounted points for your metal fabricating and foundry applications.

BEST NZ – NorZon (Zirconia Alumina) – Mounted Points

FEATURES	BENEFITS
<ul style="list-style-type: none"> NZ – zirconia alumina (NorZon) self-sharpening abrasive and durable organic bond 	<ul style="list-style-type: none"> 4X faster stock removal than competitive aluminum oxide products Longest lasting

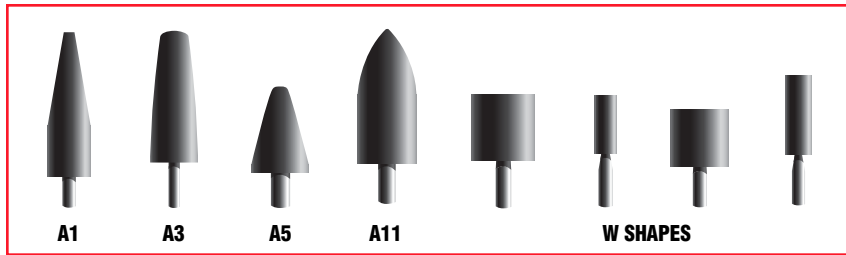
5
minimum quantity



BETTER Charger Mounted Points

FEATURES	BENEFITS
<ul style="list-style-type: none"> NorZon (zirconia alumina) self-sharpening 30 grit abrasive 	<ul style="list-style-type: none"> 35% faster cut rate than standard aluminum oxide An aggressive, free cut More parts cleaned in less time to substantially increase productivity
<ul style="list-style-type: none"> Specially formulated organic bond 	<ul style="list-style-type: none"> 5X greater life than ordinary aluminum oxide Reduces vibration and wheel chatter

5
minimum quantity



TECHtips

- Use "A" shapes for medium- to heavy-duty blending
- Use "W" shapes for offhand and precision grinding of medium to heavy stock

SHAPE	SIZE D X T	SPINDLE†	MAX. RPM*	MIN./STD. PKG.	BEST NORZON		BETTER CHARGER	
					SPEC	UPC NO.	SPEC	UPC NO.
A1	3/4 x 2-1/2	1/4	20,960	5/25	NZ24-UBXR1	61463616457	Charger	61463616458
A3	1 x 2-3/4	1/4	15,530	5/25	NZ24-UBXR1	61463616459	Charger	61463616460
A5	3/4 x 1-1/8	1/4	38,550	5/25			Charger	61463616462
A11	7/8 x 2	1/4	25,420	5/25	NZ24-UBXR1	61463616463	Charger	61463616464
W189	1/2 x 2	1/4	26,830	5/25	NZ24-UBXR1	61463616465	Charger	61463616466
W197	5/8 x 2	1/4	24,550	5/25	NZ24-UBXR1	61463616467		
W207	3/4 x 1-1/2	1/4	27,070	5/25			Charger	61463616470
W208	3/4 x 2	1/4	22,830	5/25	NZ24-UBXR1	61463616471	Charger	61463616472
W220	1 x 1	1/4	30,370	5/25	NZ24-UBXR1	61463617520	Charger	61463617521
W221	1 x 1-1/2	1/4	24,490	5/25	NZ24-UBXR1	61463616473	Charger	61463616474
W222	1 x 2	1/4	20,250	5/25	NZ24-UBXR1	61463616475	Charger	61463616476

† THE STANDARD SHANK LENGTH IS 1-1/2"

* MAXIMUM OPERATING SPEED BASED ON 1/2" OVERHANG

Center Lap Mounted Points

BETTER Center Lap Mounted Points

FEATURES	BENEFITS
<ul style="list-style-type: none"> Specially formulated wheel treatment (#5 wood resin) 	<ul style="list-style-type: none"> Adds lubricity to the wheel, minimizing risk of metallurgical damage
<ul style="list-style-type: none"> Larger diameter spindle 	<ul style="list-style-type: none"> Minimum deflection, rigid support
<ul style="list-style-type: none"> Precise dimensional tolerances 	<ul style="list-style-type: none"> Ensure accurate location of part centers

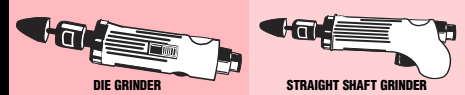
5
minimum quantity



SIZE D X T	SPINDLE†	MAX. RPM*	MIN./STD. PKG.	BETTER	
				SPEC	UPC NO.
1/2 x 2**	1/2	65,000	5/25	A80-VVM	61463621421
1 x 2**	1/2	15,900	5/25	A80-VVM	61463622926

** POINTED 60°; † SHANK LENGTH IS 1-1/4"; * MAXIMUM OPERATING SPEED BASED ON 1/2" OVERHANG.

■ Dress the center lap mounted points frequently to ensure accurate and smooth center holes.



DIE GRINDER

STRAIGHT SHAFT GRINDER

Vitrified Bond Mounted Points

High quality, pre-engineered vitrified mounted points available in a full range of standard shapes and spindles.

BEST Norton Quantum (NQ) Mounted Points

FEATURES

- Unique, engineered ceramic grain shape and chemistry with proven bond technology

BENEFITS

- Ideal for high-volume foundry operations – grinding Inconel and similar alloy turbine blade components
- Minimal loading and heat build-up
- 33% + longer life vs. competitive ceramic products
- 30% + higher metal removal rates
- Versatile, optimized for all low, medium and high force applications
- Exceptional productivity and life



GOOD Pacesetter Mounted Points

FEATURES

- 38A abrasive
- Diverse shapes and sizes

BENEFITS

- Cool cutting, less burn
- Ideal when initial price is the main consideration
- Great choice for small job shops

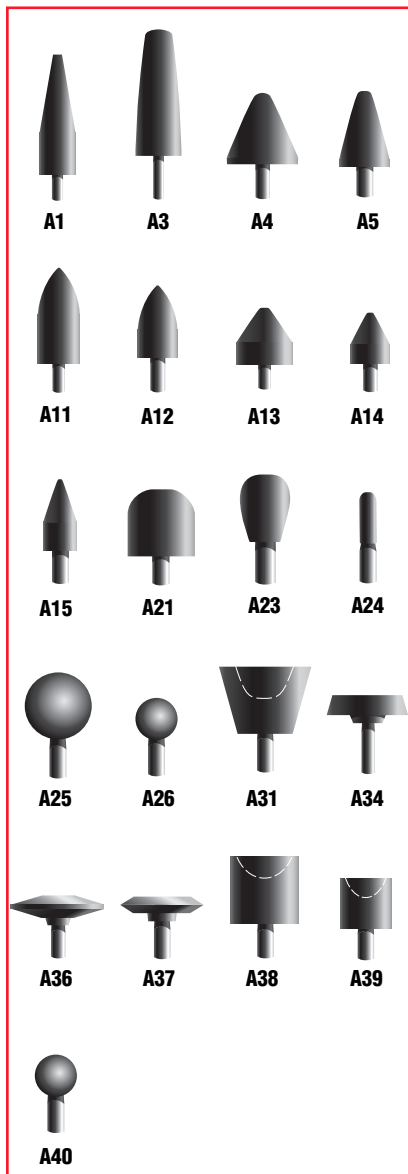


Vitrified Bond Mounted Points – A Shapes



BEST
QUANTUM

GOOD
PACESETTER



SHAPE	SIZE D X T	SPINDLE †	MAX. RPM*	MIN/ STD. PKG.	SPEC	UPC NO.	SPEC	UPC NO.
A1	3/4 x 2-1/2	1/4	20,960	5/25	3NQ80-OVS	69083149139	38A36-T	61463624374
A1	3/4 x 2-1/2	1/4	20,960	5/25			38A60-P	61463624375
A3	1 x 2-3/4	1/4	15,530	5/25			38A36-T	61463624377
A3	1 x 2-3/4	1/4	15,530	5/25			38A60-P	61463624378
A4	1-1/4 x 1-1/4	1/4	28,550	5/25			38A60-P	61463624380
A5	3/4 x 1-1/8	1/4	38,550	5/25	3NQ80-OVS	69083149140	38A36-T	61463624381
A5	3/4 x 1-1/8	1/4	38,550	5/25			38A60-P	61463624382
A11	7/8 x 2	1/4	25,420	5/25	3NQ80-OVS	69083149141	38A36-T	61463624384
A11	7/8 x 2	1/4	25,420	5/25			38A60-P	61463624385
A12	11/16 x 1-1/4	1/4	38,050	5/25			38A36-T	61463624387
A12	11/16 x 1-1/4	1/4	38,050	5/25			38A60-P	61463624388
A13	1-1/8 x 1-1/8	1/4	31,850	5/25			38A60-P	61463624389
A14	11/16 x 7/8	1/4	43,440	5/25			38A60-P	61463624390
A15	1/4 x 1-1/16	1/4	50,510	5/25			38A60-P	61463624391
A21	1 x 1	1/4	35,510	5/25	3NQ80-OVS	69083149144	38A60-P	61463624392
A23	3/4 x 1	1/4	40,300	5/25	3NQ80-OVS	69083149143	38A60-P	61463624394
A24	1/4 x 3/4	1/4	56,000	5/25			38A60-P	61463624395
A25	1" Ball	1/4	35,510	5/25			38A60-P	61463624396
A26	5/8" Ball	1/4	48,980	5/25	3NQ80-OVS	69083149145	38A60-P	61463624397
A31	1-3/8 x 1	1/4	27,780	5/25			38A60-P	61463624399
A34	1-1/2 x 3/8	1/4	25,460	5/25			38A60-P	61463624402
A36	1-5/8 x 3/8	1/4	23,510	5/25	3NQ80-OVS	69083149146	38A60-P	61463624404
A37	1-1/4 x 1/4	1/4	30,560	5/25			38A60-P	61463624405
A38	1 x 1	1/4	35,510	5/25			38A60-P	61463624406
A39	3/4 x 3/4	1/4	44,030	5/25	3NQ80-OVS	69083149147	38A60-P	61463624407
A40	3/4" Ball	1/4	44,030	5/25			38A60-P	61463624408

†STANDARD SHANK SIZE IS 1/4" X 1-1/2".

*MAXIMUM OPERATING SPEED BASED ON 1/2" OVERHANG.

Premium 3SG (ceramic seeded-gel) and 32A (monocrystalline aluminum oxide) mounted points are available as made-to-order for applications requiring maximum durability and increased productivity.



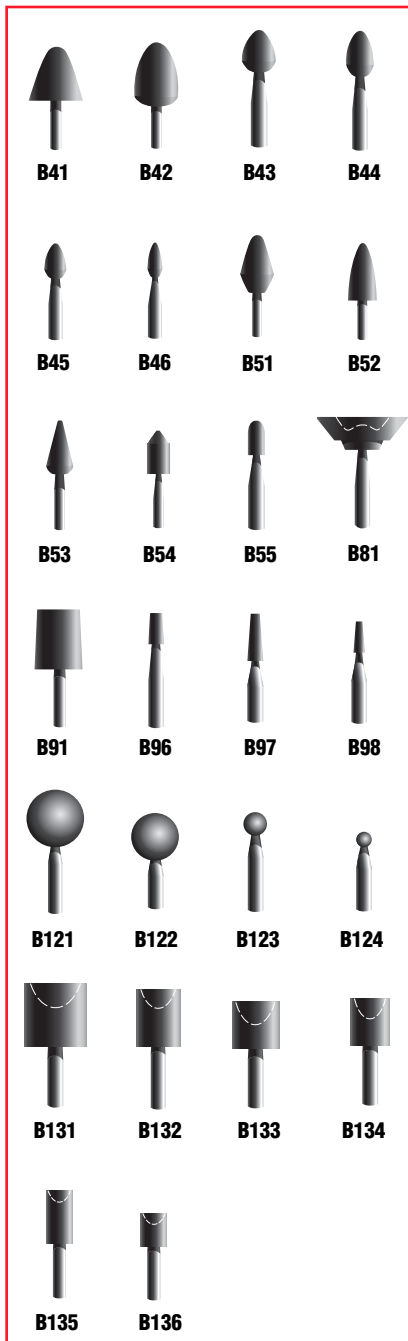


Vitrified Bond Mounted Points – B Shapes

5
minimum
quantity

BEST
QUANTUM

GOOD
PACESETTER



SHAPE	SIZE D X T	SPINDLE †	MAX. RPM*	MIN/ STD. PKG.	SPEC	UPC NO.	SPEC	UPC NO.
B41	5/8 x 5/8	1/8	59,560	5/25			38A60-P	61463624410
B42	1/2 X 3/4	1/8	61,320	5/25	3NQ80-OVS	69083149045	38A60-P	61463624412
B43	1/4 x 5/16	1/8	76,160	5/25			38A60-P	61463624413
B44	7/32 x 3/8	1/8	75,840	5/25			38A60-P	61463624414
B45	3/16 x 5/16	1/8	79,600	5/25			38A60-P	61463624415
B46	1/8 x 5/16	1/8	83,530	5/25			38A60-P	61463624416
B51	7/16 x 3/4	1/8	62,820	5/25			38A60-P	61463624418
B52	3/8 x 3/4	1/8	64,810	5/25	3NQ80-OVS	69083149046	38A60-P	61463624420
B52	3/8 x 3/4	1/4	78,340	5/25			38A60-P	61463624419
B52	3/8 x 3/4	1/8	64,810	5/25			38A90-Q	61463624422
B53	5/16 x 5/8	1/8	67,070	5/25			38A60-P	61463624423
B54	1/4 x 1/2	1/8	71,340	5/25			38A60-P	61463624424
B55	1/8 x 1/4	1/8	85,900	5/25			38A60-P	61463624425
B81	3/4 x 3/16	1/8	50,930	5/25			38A60-P	61463624437
B91	1/2 x 5/8	1/8	61,110	5/25			38A60-P	61463624443
B96	1/8 x 1/4	1/8	85,900	5/25			38A60-P	61463624448
B96	1/8 x 1/4	1/8	85,900	5/25			38A90-Q	61463624449
B97	1/8 x 3/8	1/8	81,550	5/25	3NQ80-OVS	69083149048	38A60-P	61463624451
B98	3/32 x 1/4	1/8	88,040	5/25			38A60-P	61463624452
B121	1/2" Ball	1/8	62,420	5/25			38A60-P	61463624466
B122	3/8" Ball	1/8	68,740	5/25	3NQ80-OVS	69083149050	38A60-P	61463624470
B122	3/8" Ball	1/8	68,740	5/25			38A90-Q	61463624471
B123	3/16" Ball	1/8	84,720	5/25			38A60-P	61463624472
B124	1/8" Ball	1/8	91,770	5/25			38A90-Q	61463624474
B131	1/2 x 1/2	1/8	62,420	5/25	3NQ80-OVS	69083149049	38A60-P	61463624475
B132	3/8 x 1/2	1/8	65,910	5/25			38A60-P	61463624479
B133	3/8 x 3/8	1/8	68,740	5/25			38A60-P	61463624481
B134	5/16 x 3/8	1/8	71,220	5/25			38A60-P	61463624482
B135	1/4 x 1/2	1/8	71,340	5/25			38A60-P	61463624484
B136	1/4 x 5/16	1/8	76,160	5/25			38A60-P	61463624485

†STANDARD SHANK SIZE IS 1/8" OR 1/4" X 1-1/2".

*MAXIMUM OPERATING SPEED BASED ON 1/2" OVERHANG.

50-Piece Mounted Point Kits



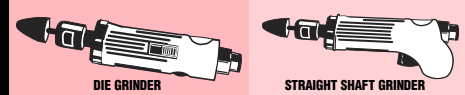
50-Piece Mounted Point Kits

FEATURES & BENEFITS

- Each kit contains 5 each of 10 of our best selling mounted point shapes and specifications
- The 1/4" spindle, "A"-shaped points are ideal for general maintenance, metalworking applications
- The 1/8" spindle kits contain "B" shaped points for light deburring machine parts and for finishing/polishing dies
- The "W" shaped points in both these kits work well for precision grinding of medium to heavy stock



MOUNTED POINTS



DIE GRINDER

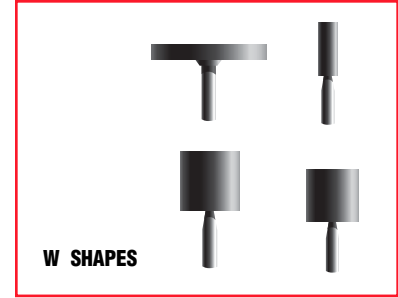
STRAIGHT SHAFT GRINDER

Vitrified Bond Mounted Points – W Shapes

5
minimum
quantity

SHAPE	SIZE D X T	SPINDLE †	MAX. RPM*	MIN/ STD. PKG.	BEST QUANTUM		GOOD PACESETTER	
					SPEC	UPC NO.	SPEC	UPC NO.
W144	1/8 x 1/4	1/8	92,460	5/25			38A60-P	61463624488
W145	1/8 x 3/8	1/8	84,190	5/25			38A60-P	61463624489
W146	1/8 x 1/2	1/8	76,820	5/25			38A60-P	61463624491
W152	3/16 x 1/4	1/8	82,070	5/25			38A60-P	61463624495
W153	3/16 x 3/8	1/8	73,880	5/25			38A60-P	61463624496
W154	3/16 x 1/2	1/8	66,580	5/25	3NQ80-OVS	69083149133	38A60-P	61463624497
W160	1/4 x 1/4	1/8	75,330	5/25			38A60-P	61463624501
W162	1/4 x 3/8	1/8	67,210	5/25			38A60-P	61463624503
W163	1/4 x 1/2	1/8	59,990	5/25			38A60-P	61463624504
W164	1/4 x 3/4	1/8	47,880	5/25	3NQ80-OVS	69083149135	38A60-P	61463624505
W170	5/16 x 1/2	1/8	54,860	5/25			38A60-P	61463624511
W175	3/8 x 3/8	1/8	57,530	5/25			38A60-P	61463624516
W176	3/8 x 1/2	1/8	50,460	5/25			38A60-P	61463624517
W177	3/8 x 3/4	1/8	38,640	5/25			38A60-P	61463624518
W185	1/2 x 1/2	1/8	42,750	5/25	3NQ80-OVS	69083149137	38A60-P	61463624525
W185	1/2 x 1/2	1/4	44,470	5/25			38A60-P	61463624526
W186	1/2 X 3/4	1/4	40,500	5/25			38A60-P	61463624528
W188	1/2 x 1-1/2	1/4	31,070	5/25			38A60-P	61463624530
W189	1/2 x 2	1/4	26,830	5/25			38A60-P	61463624531
W196	5/8 x 1	1/4	34,670	5/25			38A60-P	61463624539
W200	3/4 x 1/8	1/8	50,930	5/25			38A60-P	61463624543
W200	3/4 x 1/8	1/8	50,930	5/25			38A90-Q	61463624544
W204	3/4 x 3/4	1/4	36,510	5/25			38A60-P	61463624549
W205	3/4 x 1	1/4	32,950	5/25			38A60-P	61463624550
W208	3/4 x 2	1/4	22,830	5/25			38A60-P	61463624553
W215	1 x 1/8	1/8	38,200	5/25	3NQ80-OVS	69083149138	38A60-P	61463624560
W216	1 x 1/4	1/4	38,200	5/25			38A60-P	61463624562
W218	1 x 1/2	1/4	37,890	5/25			38A60-P	61463624564
W220	1 x 1	1/4	30,370	5/25			38A60-P	61463624566
W221	1 x 1-1/2	1/4	24,490	5/25			38A60-P	61463624567
W222	1 x 2	1/4	20,250	5/25			38A60-P	61463624569
W230	1-1/4 x 1-1/4	1/4	25,200	5/25			38A60-P	61463624578
W235	1-1/2 x 1/4	1/4	25,460	5/25			38A60-P	61463624583
W236	1-1/2 x 1/2	1/4	25,460	5/25			38A60-P	61463624585
W237	1-1/2 x 1	1/4	25,460	5/25			38A60-P	61463624587
W238	1-1/2 x 1-1/2	1/4	20,720	5/25			38A60-P	61463624588
W242	2 x 1	1/4	19,100	5/25	3NQ80-OVS	69083149148	38A60-P	61463624592

†STANDARD SHANK SIZE IS 1/8" OR 1/4" X 1-1/2". *MAXIMUM OPERATING SPEED BASED ON 1/2" OVERHANG.



W SHAPES



TECHtips

- For best mounted point performance, always run the mounted point at the maximum allowable speed according to ANSI B7.1. Refer to the speed chart included in each shipment for proper operating speeds.
- Use "A" shapes for medium- to heavy-duty blending
- Use "W" shapes for offhand and precision grinding of medium to heavy stock
- Dress the center lap mounted points frequently to ensure accurate and smooth center holes.
- Use 36 grit and coarser for rough grinding.
- Use 60 grit for imparting fine finishes or when grinding on narrow surfaces.

! It is the user's responsibility to refer to and comply with ANSI B7.1

MOUNTED POINT KITS

SHAPE	SPINDLE †	MIN/ STD. PKG.	SPEC	BEST QUANTUM		GOOD PACESETTER	
				UPC NO.	UPC NO.	UPC NO.	UPC NO.
Assorted 1/4	1	1	50 pc Premium Norton Quantum 1/4" Spdle Mtd. Point Kitt contains 5 each of A1, A5, A11, A21, A23, A26, A36, A39, W242 Norton Quantum and 5 W220 A80-HBF3	69083147810			
Assorted 1/8	1	1	50 pc Premium Norton Quantum 1/8" Spdle Mtd. Point Kit contains 5 each of B42, B52, B97, B122, B131, W154, W164, W185, W215 Norton Quantum and W163 A80-HBF3	69083147806			
Assorted 1/4	1	1	50 pc 38A60-P 1/4" Spdle Pacesetter Mtd. Point Kit contains 5 each of A1, A5, A11, A21, A23, A26, A36, A39, W242 Pacesetter and 5 W220 A80-HBF3				69083147789
Assorted 1/8	1	1	50 pc 38A60-P 1/8" Spdle Pacesetter Mtd. Point Kit contains 5 each of B42, B52, B97, B122, B131, W154, W164, W185, W215 Pacesetter and W163 A80-HBF3				69083147669