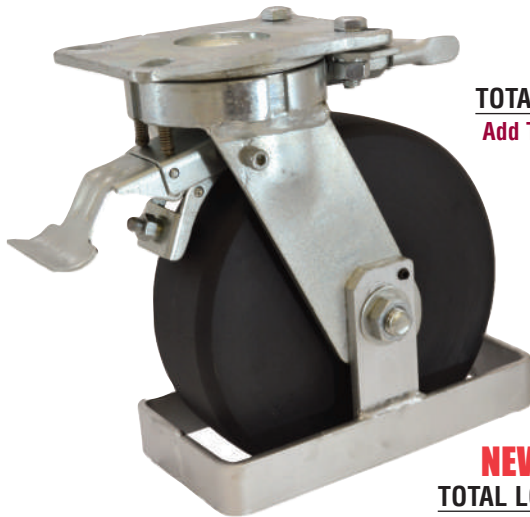


# GAD TOTAL LOCK KINGPINLESS SERIES CASTERS



## LEADING SIDE TOTAL LOCK SWIVEL CASTER

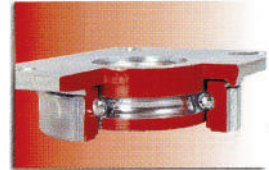
Add TL to swivel caster number

Available Toe Guard  
TO

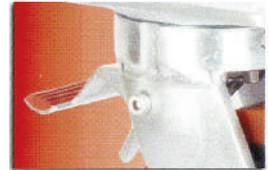
## NEW TRAILING SIDE TOTAL LOCK SWIVEL CASTER

No need to move cots back and forth  
for finding the brake pedal.

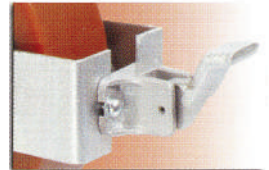
Add TLN to swivel caster number



Swivel Head Section



Total Lock System



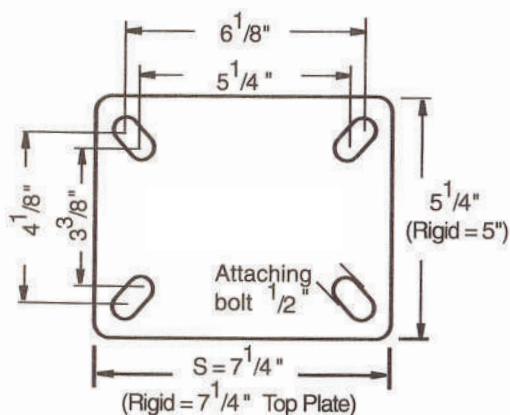
Wheel Face Brake



Directional Lock

## 5,000 LBS. LOAD CAPACITY FORGED KINGPINLESS TYPE CASTERS

- Single piece Drop Forged AISI 1045 Steel Top Plate and Fork Base.
- Precision CNC Machined Raceways with 3-1/2" diameter with 1/2" ball bearings.
- Induction Hardening of Raceways ensures uniform depth of hardness.
- Totally Sealed Swivel Head with Grease Nipple.
- 3/8" Thick x 3" wide Fork Legs Robotically welded Inside & Outside to 3 1/2" fork spacing.
- 3/4" Wheel axle.
- 4 Position Directional Lock Slots.
- Finish: Bright Zinc Plated.



**TOP PLATE**  
5-1/4 X 7-1/4

**BOLT HOLE CENTER**  
3-3/8 X 5-1/4  
**SLOTTED TO**  
4-1/8 X 6-1/8

**ATTACHING BOLT SIZE**  
1/2

**RIG OPTIONS**  
**DL: 4-WAY DIRECTIONAL LOCK**

**WFB: WHEEL FACE BRAKE**  
**ADD TO SUFFIX**  
**OF THE CASTER PART NUMBER**

**TOE GUARDS**  
**SPECIFY "TO"**  
**WITH CASTER NUMBER**

## NY/MD WHEELS

### NYLACRON™ WHEELS

- Precision Machined from Cast Polyamide Hardness 112-120 Rockwell R.
- Ultimate choice for Extremely High Load applications to replace metallic wheels.
- Offer very high abrasion resistance and very low rolling resistance under extreme loads.

- Resistant to salt, grease, alcohol and mild acids - can be used in corrosive applications with appropriate bearings.
- Precision Ball Bearings.
- Temperature Range: -40°F to +270°F.



Part Number Swivel Caster	Part Number Swivel with Total Lock	Part Number Rigid Caster	Wheel Diameter (inch)	Tread Width (inch)	Load Capacity (lbs)	Overall Height (inch)	Swivel Radius (inch)	Swivel Radius w/Total Lock (inch)	Swivel Radius w/Wheel Brake (inch)
GADS63NYMD	GADTL63NYMD	GADR63NYMD	6	3	5000	8	5-1/8	6	10-1/8
GADS83NYMD	GADTL83NYMD	GADR83NYMD	8	3	5000	10-1/2	6-1/2	6-1/4	11-1/4
GADS103NYMD	GADTL103NYMD	GADR103NYMD	10	3	5000	12-1/2	7-3/4	7-3/4	12-3/4
GADS123NYMD	GADTL123NYMD	GADR123NYMD	12	3	5000	15-1/2	8-3/8	8-3/8	13-3/8

## NY/MC WHEELS

### NYLACRON™ WHITE WHEELS

- Precision Machined from Cast Polyamide Hardness 112-120 Rockwell R.
- Ultimate choice for Extremely High Load applications to replace metallic wheels.
- Offer very high abrasion resistance and very low rolling resistance under extreme loads.

- Resistant to salt, grease, alcohol and mild acids - can be used in corrosive applications with appropriate bearings.
- Precision Ball Bearings.
- Temperature Range: -40°F to +270°F.



Part Number Swivel Caster	Part Number Swivel with Total Lock	Part Number Rigid Caster	Wheel Diameter (inch)	Tread Width (inch)	Load Capacity (lbs)	Overall Height (inch)	Swivel Radius (inch)	Swivel Radius w/Total Lock (inch)	Swivel Radius w/Wheel Brake (inch)
GADS63NYMC	GADTL63NYMC	GADR63NYMC	6	3	5000	8	5-1/8	6	10-1/8
GADS83NYMC	GADTL83NYMC	GADR83NYMC	8	3	5000	10-1/2	6-1/2	6-1/4	11-1/4
GADS103NYMC	GADTL103NYMC	GADR103NYMC	10	3	5000	12-1/2	7-3/4	7-3/4	12-3/4
GADS123NYMC	GADTL123NYMC	GADR123NYMC	12	3	5000	15-1/2	8-3/8	8-3/8	13-3/8

## VX WHEELS

### VULKOLLAN™ THICK TREAD WHEELS

**Highest Quality Polyurethane in the World**

**Extremely Durable**

**High Load Capacity**

**Ergonomic - Easy to Roll**

**High Abrasion Resistance**

### FEATURES

- Thickness: 1" thick polyurethane
- Wheel Face: Flat
- Finish: Orange/Brown tread on cast iron core
- Hardness: 95 Shore A
- Temperature Range: -40°F to +180°F



### WHEEL OPTIONS

- Select bearing featured are recommended for standard applications. For special applications or alternate bearings consult Acorn.

Part Number Precision Ball	Wheel Diameter (inch)	Tread Width (inch)	Load Capacity (lbs)	Overall Height (inch)	Swivel Radius (inch)	Swivel Radius w/Total Lock (inch)	Swivel Radius w/Wheel Brake (inch)
GADVX0522808	6	3	3000	8	5-1/8	6	10-1/8
GADVX0622808	8	3	4000	10-1/2	6-1/4	6-1/4	11-1/4
GADVX0822808	10	3	5000	12-1/2	7-3/4	7-3/4	12-3/4

**MEGALOAD™ AND VULKOLLAN™ WHEELS WITH PRECISION BALL BEARINGS AVAILABLE TO FIT THIS CASTER SERIES. SIZES 6 X 3, 8 X 3, 10 X 3 & 12 X 3.**

## SAS WHEELS

### HIGH CAPACITY POLYURETHANE TREAD WHEELS CAST IRON CORE

- Polyurethane firmly bonded to Precision Machined Cast Iron Core
- 93+ 3 Shore A
- Low rolling resistance, smooth and noiseless running

- Non-marking and floor protective
- High abrasion, cut and tear resistant
- Precision Ball Bearings
- Temperature Range: -40°F to +180°F
- Available in Anti-Static add "AS" after wheel



Part Number Swivel Caster	Part Number Swivel with Total Lock	Part Number Rigid Caster	Wheel Diameter (inch)	Tread Width (inch)	Load Capacity (lbs)	Overall Height (inch)	Swivel Radius (inch)	Swivel Radius w/Total Lock (inch)	Swivel Radius w/Wheel Brake (inch)
GAD63SSAS	GAD63SSASTL	GAD63RSAS	6	3	2300	8	5-1/8	6	10-1/8
GAD83SSAS	GAD83SSASTL	GAD83RSAS	8	3	3100	10-1/2	6-1/4	6-1/4	11-1/4
GAD103SSAS	GAD103SSASTL	GAD103RSAS	10	3	4000	12-1/2	7-3/4	7-3/4	12-3/4
GAD123SSAS	GAD123SSASTL	GAD123RSAS	12	3	4850	15-1/2	8-3-8	8-3-8	13-3/8

## SJS WHEELS

### POLYURETHANE WHEELS

- Polyurethane tread wheels firmly bonded to Precision Machined Cast Iron Core.
- 93 + 3 Shore A.
- Low rolling resistance; Smooth and noiseless running.
- Non-marking and floor protective.

- Good Abrasion and cut resistance.
- Ideal for medium duty applications.
- Precision Ball Bearings.
- Temperature Range: -40°F to +180°F.
- Available in Anti-Static add "AS" after wheel.



Part Number Swivel Caster	Part Number Swivel with Total Lock	Part Number Rigid Caster	Wheel Diameter (inch)	Tread Width (inch)	Load Capacity (lbs)	Overall Height (inch)	Swivel Radius (inch)	Swivel Radius w/Total Lock (inch)	Swivel Radius w/Wheel Brake (inch)
GAD63SSJS	GAD63SSJSTL	GAD63RSJS	6	3	2100	8	5-1/8	6	10-1/8
GAD83SSJS	GAD83SSJSTL	GAD83RSJS	8	3	2500	10-1/2	6-1/4	6-1/4	11-1/4
GAD103SSJS	GAD103SSJSTL	GAD103RSJS	10	3	3000	12-1/2	7-3/4	7-3/4	12-3/4
GAD123SSJS	GAD123SSJSTL	GAD123RSJS	12	3	3500	15-1/2	8-3-8	8-3-8	13-3/8

## ME WHEELS

### ERGONOMIC POLYURETHANE DONUT TREAD WHEELS CAST IRON CORE

- For Low Push-Pull Efforts.
- Polyurethane firmly bonded to Precision Machined Cast Iron Core.
- Red Tread 93+ 3 Shore A.
- Non-marking and floor protective.

- Tread Options:  
Softer 80A - Yellow Tread (specify ME-Z)  
Harder 73D - Blue Tread (specify ME-F).
- Precision Ball Bearings.
- Temperature Range: -40°F to +180°F.
- Available in Anti-Static add "AS" after wheel.



Part Number Swivel Caster	Part Number Swivel with Total Lock	Part Number Rigid Caster	Wheel Diameter (inch)	Tread Width (inch)	Load Capacity (lbs)	Overall Height (inch)	Swivel Radius (inch)	Swivel Radius w/Total Lock (inch)	Swivel Radius w/Wheel Brake (inch)
GAD63SME	GAD63SMETL	GAD63RME	6	3	1850	8	5-1/8	6	10-1/8
GAD83SME	GAD83SMETL	GAD83RMES	8	3	2400	10-1/2	6-1/4	6-1/4	11-1/4
GAD103SME	GAD103SMETL	GAD103RME	10	3	2850	12-1/2	7-3/4	7-3/4	12-3/4
GAD123SME	GAD123SMETL	GAD123RME	12	3	3500	15-1/2	8-3-8	8-3-8	13-3/8