

3C BB-TEK® DOUBLE BRAKE SWIVEL CASTERS US TOP PLATE P63

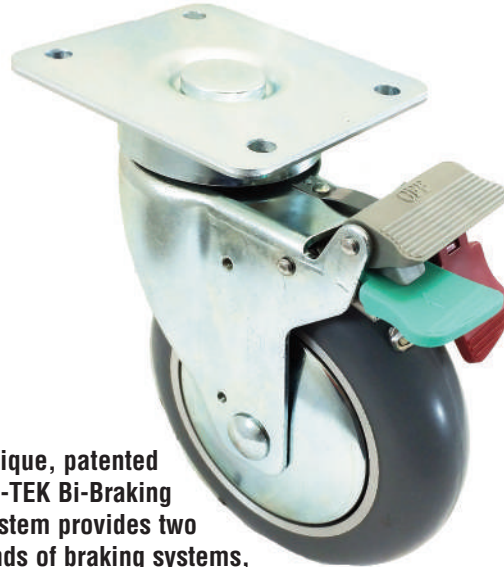
BB-TEK TWO-IN-ONE BI-BRAKE PRESSED STEEL CASTERS

BB-Tek Casters are recommended for medium duty applications on equipment such as portable computers, instruments, test or equipment stations and were designed for frequent portability. Precision ball bearings in both the swivel and wheels, ease of rollability and maneuvering are its main features.

- Swivel can be locked in steering direction, while wheel remains free to roll, allowing straight line tracking
OR
- Both swivel and wheel can be simultaneously locked for no movement.

KEY FEATURE

- Swivel Head and Wheel are fitted with precision ball bearings to ensure maximum swiveling, ease and rollability with maximum quietness.

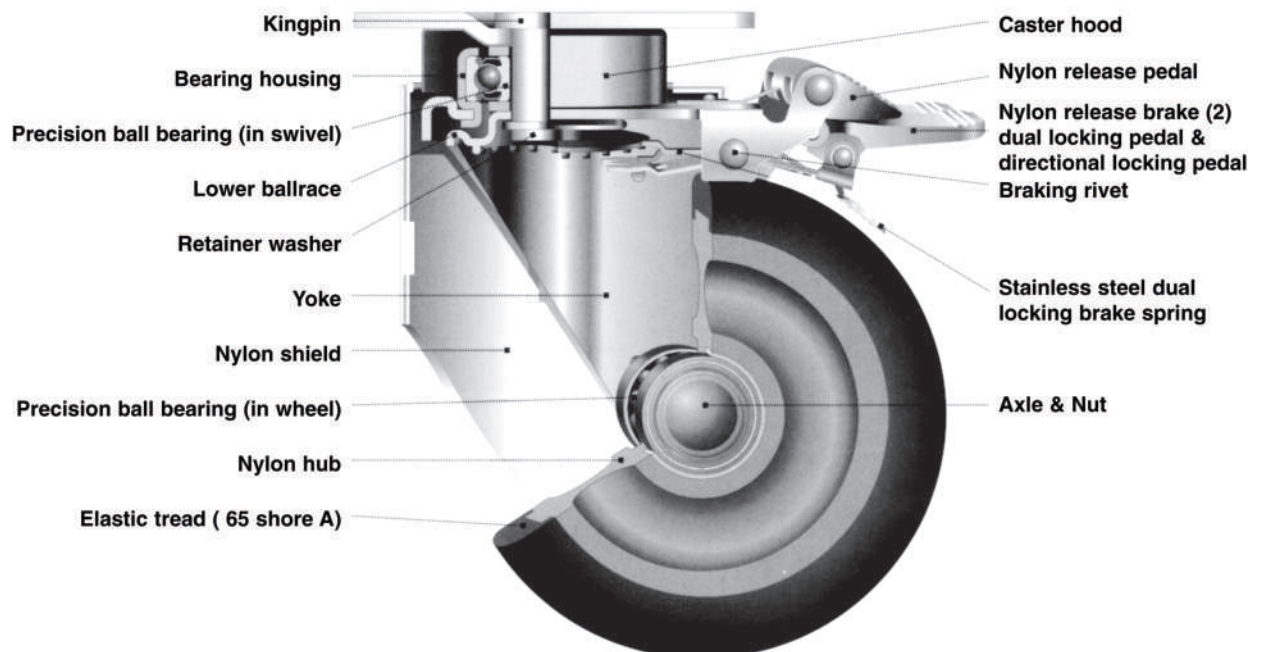


Unique, patented BB-TEK Bi-Braking System provides two kinds of braking systems, Dual Locking and/or Directional Locking Brakes, in same caster.

Green Pedal Directional Lock: Locks the swivel in one direction but wheel remains free for tracking straight line.

Red Pedal Total Lock: Locks the wheel & the swivel at the same time.

Gray Pedal: Releases the total lock and directional lock.



3C BB-TEK® DOUBLE BRAKE SWIVEL CASTERS US TOP PLATE P63

Plate Mounting Options

25.4 mm = 1 inch

Mtg. Code	Top Plate Size (mm)	Bolt Hole Spacing (mm)	Mounting Bolt Size (mm)
P1	95 x 70	75 x 45/72 x 52	9
P2	77 x 67	61.5 x 52/56 x 45	8.5
P3	93 x 60	76.5/73 x 45	8
P6	114 x 101.6	93 x 67	9
P7	114 x 101.6	76 x 76/92 x 67	9.5
P8	100.3 x 100	80 x 80	10.5
P63	4" x 4-1/2"	2-5/8" x 3-5/8" to 3" x 3"	3/8"

P1, P2 and P3 plates are available for 125 mm models. P6, P7 and P8 plates are available for 150 mm and 200 mm models.
To order optional plate sizes change code.
Example: **3CBB6TTP3**.

For Nylacron™ Wheels: Add NY to part number.

Example: 3CBB6NYP63.



Wheel Diameter (mm)	Tread Width (mm)	Wheel Type	Wheel Bearing	Capacity (lbs)	Swivel Top Plate Bi-Brake Model Number	Free Swivel Model Number	Load Height (mm)	Swivel Radius (mm)
125	32	Thermoplastic Tread	Precision Ball	220	3CBB5TTP63	3C5TTSP63	161.0	78.0
125	32	Elastic Rubber Tread	Precision Ball	220	3CBB5ERP63	3C5ERSP63	161.0	78.0
125	32	Gray Polyurethane Tread	Precision Ball	220	3CBB5GPP63	3C5GPPSP63	161.0	78.0
150	40	Thermoplastic Tread	Precision Ball	330	3CBB6TTP63	3C6TTSP63	196.5	92.0
150	40	Elastic Rubber Tread	Precision Ball	330	3CBB6ERP63	3C6ERSP63	196.5	92.0
200	40	Elastic Rubber Tread	Precision Ball	330	3CBB8ERP63	3C8ERSP63	250.5	98.0

Other type wheels are available including Nylacron™ and Kryptonic™ wheels.

Available in swivel only.

Round Stem Mounting Options

25.4 mm = 1 inch

Mtg. Code	Stem Diameter (mm)	Stem Length (mm)	Hole to Base (mm)	Mounting Hole (mm)
R8	22	45	19	M8 x 1.25
R9	28	45	19	M8 x 1.25
R16	25.6	45	19	M8 x 1.25

To order optional stem sizes change stem code.
Example: **3CBB6TTR16**.

For Nylacron™ Wheels: Add NY to part number.

Example: 3CBB6NYP63.



Wheel Diameter (mm)	Tread Width (mm)	Wheel Type	Wheel Bearing	Capacity (lbs)	Round Stem Bi-Brake Model Number	Free Swivel Model Number	Load Height (mm)	Swivel Radius (mm)
125	32	Thermoplastic Tread	Precision Ball	220	3CBB5TTRP63	3C5TTSRP63	161.0	78.0
125	32	Elastic Rubber Tread	Precision Ball	220	3CBB5ERRP63	3C5ERSRP63	161.0	78.0
125	32	Gray Polyurethane Tread	Precision Ball	220	3CBB5GPRP63	3C5GSPRP63	161.0	78.0
150	40	Thermoplastic Tread	Precision Ball	330	3CBB6TTRP63	3C6TTSRP63	196.5	92.0
150	40	Elastic Rubber Tread	Precision Ball	330	3CBB6ERRP63	3C6ERSRP63	196.5	92.0
200	40	Elastic Rubber Tread	Precision Ball	330	3CBB8ERRP63	3C8ERSRP63	250.5	98.0

Specify stem size. ie suffix: R16

Other type wheels are available including Nylacron™ Wheels. See wheel section.