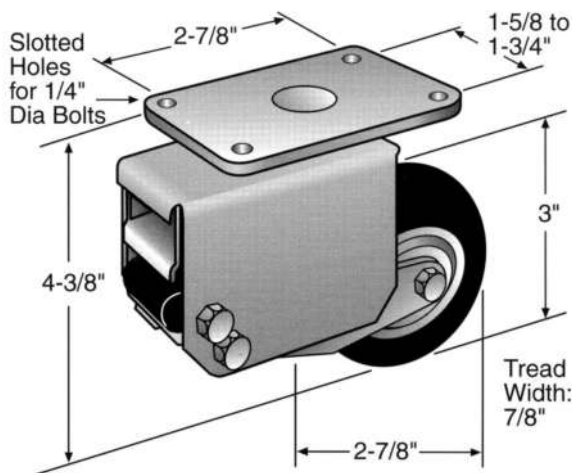


2 2DSA SHOCK ABSORBING CASTER

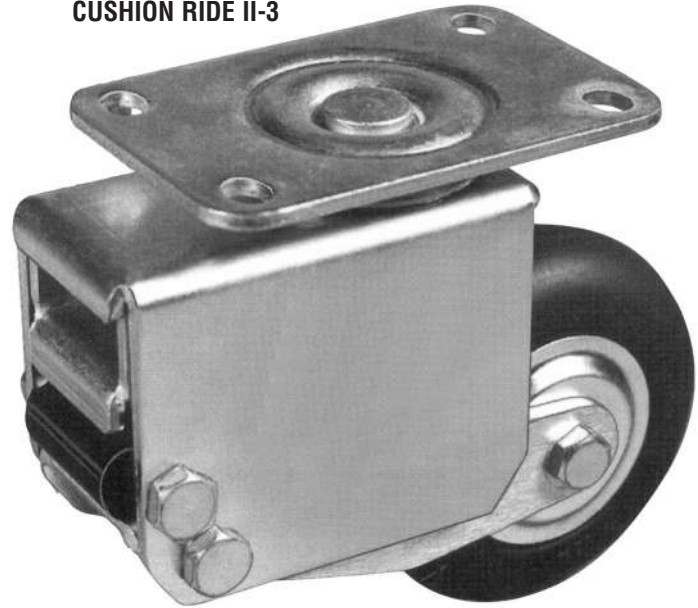
The cushion ride is a shock absorbing caster specifically designed for laboratory & office equipment which requires protection from shock and vibration. The unique design (Non-linear Deflection vs. Load) gives vertical wheel deflection in response to light load and will provide protection against heavier shock loads.

2DSA SERIES FEATURES

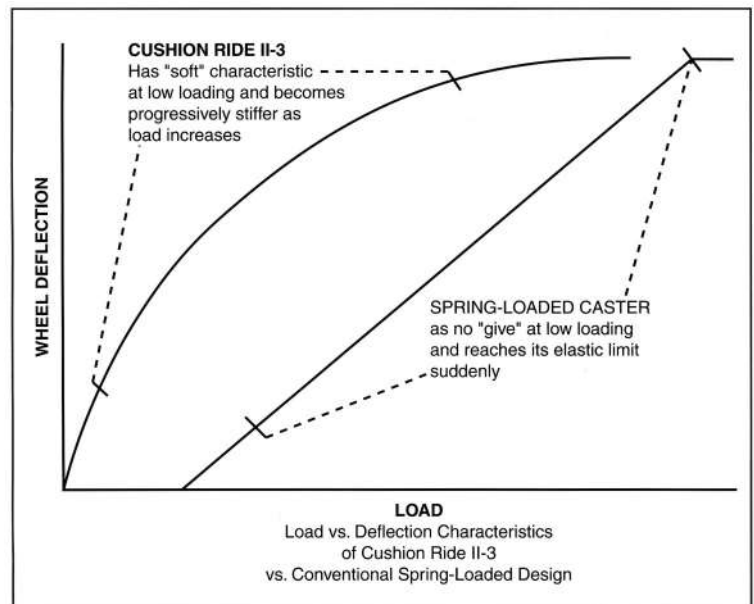
- Computers or other laboratory or office equipment mounted on these casters will easily roll over floor irregularities such as carpet edges, thresholds, etc.
- If the unit is dropped or otherwise subjected to a sudden load, the caster will provide smooth shock absorption. The caster will not suddenly “hit bottom” or abruptly come to the limit of the caster spring system.
- Electronic equipment is characteristically designed to withstand a certain maximum, usually expressed in “g’s”.
- Cushion Ride II-3 can be modified so as to give the proper protection. Call us Toll Free for further information or quotation.



CUSHION RIDE II-3



Neoprene Rubber Wheel



CASTER ORDERING #CR113XEZNRD

Also available with a variety of stems and top plates.
CAPACITY TO 110 LBS.