

# NEW CONCEPTS LEVELING CASTERS

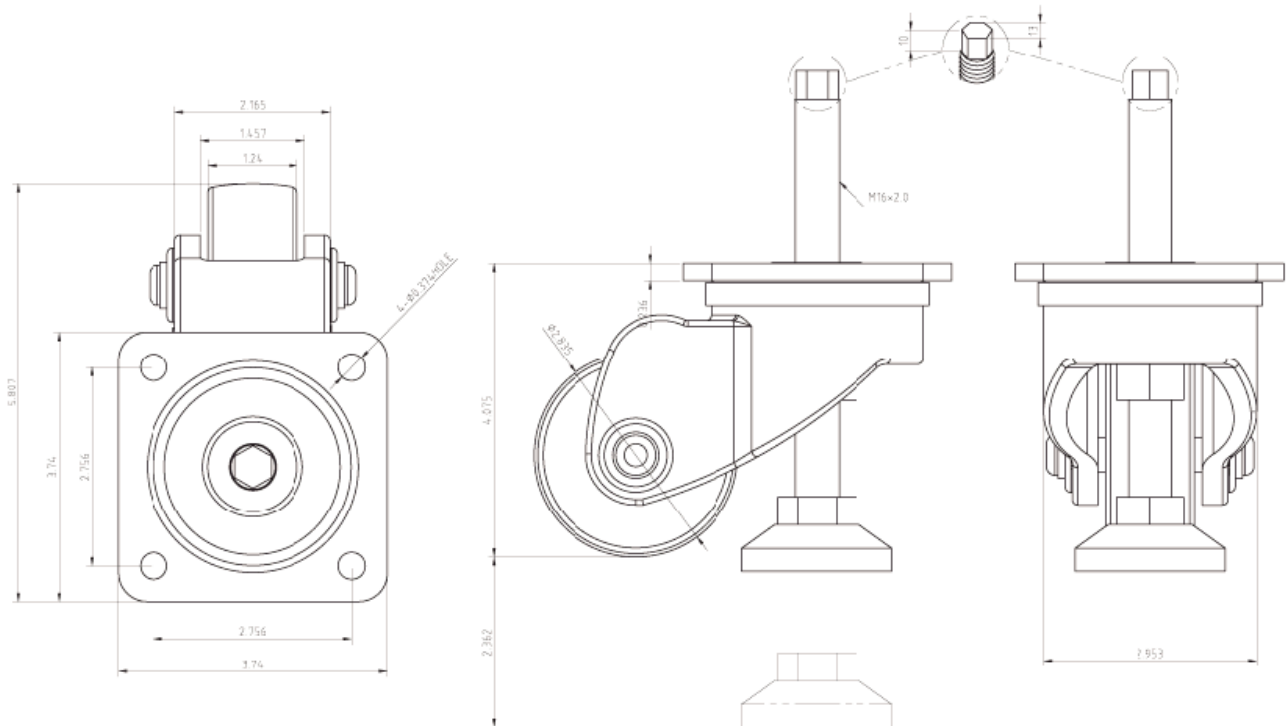
## New Concepts Leveling Caster WMLC-700FS



### IDEAL APPLICATIONS

- Semi-conductor Equipment.
- Assembly Equipment.
- Packaging Equipment.
- Workstations.
- Conveyor Systems.
- General Purposes.
- Food Processing Equipment.
- Pharmaceutical & Medical Equipment.

PARTS	MATERIALS	FINISH, TYPE, COLOR
Top Plate	SM45C	Zinc Galvanized
Ball	STB2	NI-Cr
Frame	ADC8	Powder Coated: Ivory
Leveler	SM45C	Zinc Galvanized
Pad	SM45C/SPC NBR	NCR Rubber
Pin	SM45C	Zinc Galvanized
Wheel	Nylon - 6	Black



# NEW CONCEPTS LEVELING CASTERS

## PLATE MOUNTS LEVELING CASTER STYLES

Part Number	Maximum Load	Recommended Load	Wheel Diameter	Wheel Width	Min. Height	Max. Height	Plate Size
WMLC1000FS	2200	1100	3"	2-7/32"	4-13/32"	6-3/4"	3.74" x 3.74"
WMLC1000FSB	2200	1100	3"	2-7/32"	4-13/32"	6-3/4"	3.74" x 3.74"
WMLCD1000FS	2200	1100	2-27/32"	2-7/32"	4-5/16"	6-11/16"	3.74" x 3.74"
WMLC700FS	1540	770	2-27/32"	1-7/16"	4-5/16"	6-11/16"	3.74" x 3.74"
WMLC200FS	440	220	2"	1"	2-27/32"	6-11/16"	2.87" x 2.87"
WMP200FS	440	220	2"	1"	2-27/32"	2-9/12"	2.87" x 2.87"

## STEM MOUNTS LEVELING CASTER STYLES

Part Number	Maximum Load	Recommended Load	Wheel Diameter	Wheel Width	Min. Height	Max. Height	Plate Size
WMP200SS	440	220	2"	1"	2-27/32"	2-9/12"	M12 x 1.5 TAP

