

7 415 KINGPINLESS DUAL WHEEL SERIES CASTERS



5,400 LBS. LOAD CAPACITY KINGPINLESS TYPE CASTERS

- **Raceway Design:** Patented Kinpinless single ball bearing precision machined raceway hardened to 53 Rockwell C minimum. Swivel section features a 3" diameter raceway with 1/2" ball bearings. The notched yoke is standard.
- **Finish:** Laguna Blue paint.
- **Yoke Base:** Harden C1040 steel.
- **Legs:** 3/8" formed steel. Center leg support is added for increased strength.
- **Wheels:** All wheels are 3" wide with precision bearings for minimal maintenance.
- **Axle:** 3/4" bolt, locking nut and lubrication fittings.
- Alternate or custom caster configurations available.

BRAKES OPTIONS



Poly Cam
specify P



Hand Operated Swivel Lock
specify L

To order a rigid caster, change the "S" to "R" in the model number. Dimensions shown are nominal. If precise dimensions are required, consult Acorn™. For approximate weight of our rigid casters, deduct 3.9 pounds.

All bearings are precision ball bearings with heavy-duty end caps.

MOUNTING PLATE OPTIONS

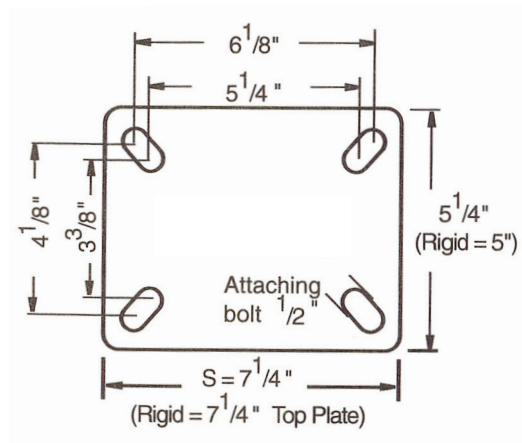
TOP PLATE:

Plate Size: 5-1/4" x 7-1/4"

Bolt Holes: 6-1/8" x 4-1/2"

Slotted: 6" x 4-1/8"

Bolt Size: 1/2"



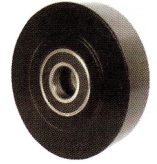
7 415 KINGPINLESS DUAL WHEEL SERIES CASTERS

NY/MD WHEELS

NYLACRON™ WHEELS

- Precision Machined from Cast Polyamide Hardness 112-120 Rockwell R.
- Ultimate choice for Extremely High Load applications to replace metallic wheels.
- Offer very high abrasion resistance and very low rolling resistance under extreme loads.

- Resistant to salt, grease, alcohol and mild acids - can be used in corrosive applications with appropriate bearings.
- Precision Ball Bearings.
- Temperature Range: -40°F to +270°F.



Part Number Swivel Caster	Part Number Rigid Caster	Wheel Diameter (inch)	Tread Width (inch)	Load Capacity (lbs)	Overall Height (inch)	Swivel Lead (inch)
415S63NYMD	415R63NYMD	6	3	5400	8-1/2	2.25
415S83NYMD	415R83NYMD	8	3	5400	10-1/2	2.75
415S103NYMD	415R103NYMD	10	3	5400	12-1/2	3.38
415S123NYMD	415R123NYMD	12	3	5400	15-1/2	4.13

**MEGALOAD™ AND VULKOLLAN™ WHEELS WITH PRECISION BALL BEARINGS AVAILABLE TO FIT THIS CASTER SERIES.
SIZES 6 X 3, 8 X 3, 10 X 3 & 12 X 3.**