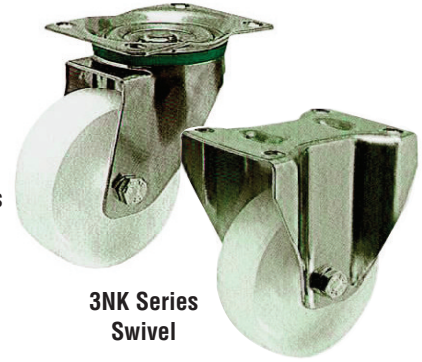


# 3

## 3NK SERIES EURO KINGPINLESS CASTERS NYLACRON™ WHEELS



3NK Series Rigid

3NK Series Swivel

Model Number	Wheel Diameter (mm)	Wheel Width (mm)	Overall Height (mm)	Top Plate Size (mm)	Bolt Hole Spacing (mm)	Bolt Hole Diameter (mm)	Offset (mm)	Load Capacity (kg)
3NK/100/40/5NYMC	100	40	140	105 x 85	80 x 60	9	45	160
3NK/100/40/5NYMC	100	40	148	135 x 110	105 x 80	11	50	160
3NK/125/40/5NYMC	125	40	165	105 x 85	80 x 60	9	45	225
3NK/125/50/5NYMC	125	50	178	135 x 110	105 x 80	11	50	225
3NK/160/50/5NYMC	160	50	210	135 x 110	105 x 80	11	50	300
3NK/200/50/5NYMC	200	50	250	135 x 110	105 x 80	11	55	400
3NK/300/60/5NYMC	300	60	347	200 x 160	160 x 120	15	73	700

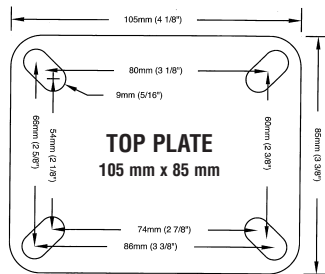
Swivel Caster  
NYLACRON™ NY/MC wheel  
Precision ball bearings.

Model Number	Wheel Diameter (mm)	Wheel Width (mm)	Overall Height (mm)	Top Plate Size (mm)	Bolt Hole Spacing (mm)	Bolt Hole Diameter (mm)	Load Capacity (kg)
3NKR/100/40/5NYMC	100	40	140	105 x 85	80 x 60	9	160
3NKR/100/40/5NYMC	100	40	148	135 x 110	105 x 80	11	160
3NKR/125/40/5NYMC	125	40	165	105 x 85	80 x 60	9	225
3NKR/125/50/5NYMC	125	50	178	135 x 110	105 x 80	11	225
3NKR/160/50/5NYMC	160	50	210	135 x 110	105 x 80	11	300
3NKR/200/50/5NYMC	200	50	250	135 x 110	105 x 80	11	400
3NKR/300/60/5NYMC	300	60	347	200 x 160	160 x 120	15	700

Rigid Caster  
NYLACRON™ NY/MC wheel  
Precision ball bearings.

\*Nylacron™ Wheels are available with precision ball bearings.  
Specify BB. For other wheels, see wheel section.

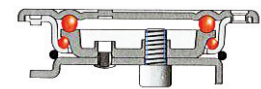
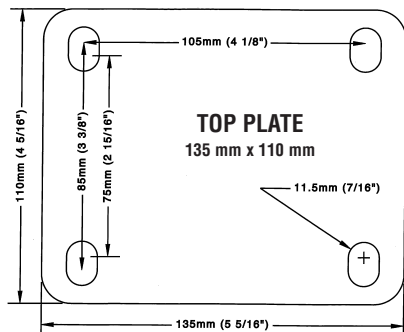
1 kg = 2.2 lbs  
25.4 mm = 1 inch



Swivel total lock brake  
Specify: add TL



Toe guard  
Specify: ... add TO

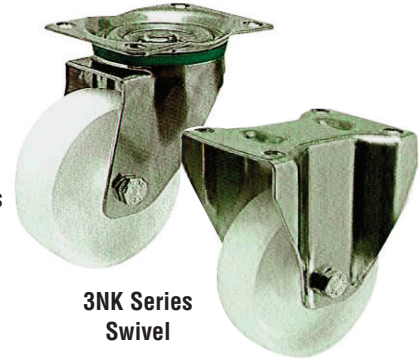


Kingpinless swivel caster  
cross section a load capacity  
up to 700 kg.

Swivel section made of pressed steel, zinc chromed with double ball bearings, dust and splash proof, riveted kingpin and grease zerk. Total locking device on the trailing side of the housing, blocks rolling and swivel motion simultaneously.

# 3NKSS SERIES EURO STAINLESS STEEL KINGPINLESS CASTERS NYLACRON™ WHEELS

3NK Series Rigid



3NK Series Swivel

Model Number	Wheel Diameter (mm)	Wheel Width (mm)	Overall Height (mm)	Top Plate Size (mm)	Bolt Hole Spacing (mm)	Bolt Hole Diameter (mm)	Offset (mm)	Load Capacity (kg)
3NKSS/100/40/5NYMC	100	40	140	105 x 85	80 x 60	9	45	160
3NKSS/100/40/5NYMC	100	40	148	135 x 110	105 x 80	11	50	160
3NKSS/125/40/5NYMC	125	40	165	105 x 85	80 x 60	9	45	225
3NKSS/125/50/5NYMC	125	50	178	135 x 110	105 x 80	11	50	225
3NKSS/160/50/5NYMC	160	50	210	135 x 110	105 x 80	11	50	300
3NKSS/200/50/5NYMC	200	50	250	135 x 110	105 x 80	11	55	400
3NKSS/300/60/5NYMC	300	60	347	200 x 160	160 x 120	15	73	700

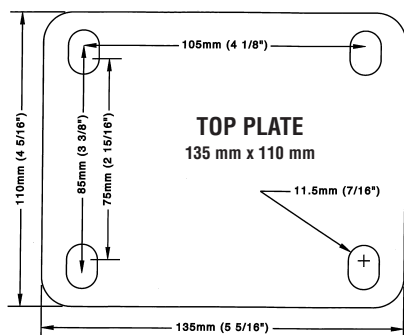
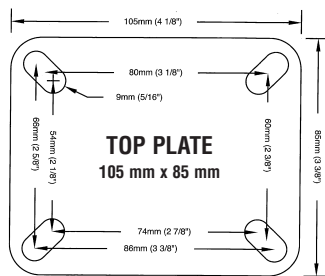
Swivel Caster  
NYLACRON™ NY/MC wheel  
Precision ball bearings.

Model Number	Wheel Diameter (mm)	Wheel Width (mm)	Overall Height (mm)	Top Plate Size (mm)	Bolt Hole Spacing (mm)	Bolt Hole Diameter (mm)	Load Capacity (kg)
3NKRSS/100/40/5NYMC	100	40	140	105 x 85	80 x 60	9	160
3NKRSS/100/40/5NYMC	100	40	148	135 x 110	105 x 80	11	160
3NKRSS/125/40/5NYMC	125	40	165	105 x 85	80 x 60	9	225
3NKRSS/125/50/5NYMC	125	50	178	135 x 110	105 x 80	11	225
3NKRSS/160/50/5NYMC	160	50	210	135 x 110	105 x 80	11	300
3NKRSS/200/50/5NYMC	200	50	250	135 x 110	105 x 80	11	400
3NKRSS/300/60/5NYMC	300	60	347	200 x 160	160 x 120	15	700

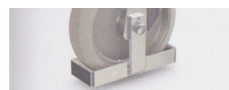
Rigid Caster  
NYLACRON™ NY/MC wheel  
Precision ball bearings.

\*Nylacron™ Wheels are available with precision ball bearings.  
Specify BB. For other wheels, see wheel section.

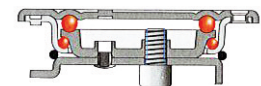
1 kg = 2.2 lbs  
25.4 mm = 1 inch



Swivel total lock brake  
Specify: add TL



Toe guard  
Specify: ... add TO



Kingpinless swivel caster  
cross section a load capacity  
up to 700 kg.

Swivel section made of pressed steel, zinc chromed with double ball bearings, dust and splash proof, riveted kingpin and grease zerk. Total locking device on the trailing side of the housing, blocks rolling and swivel motion simultaneously.