

# RG50

# SERIES

Heavy Duty  
Forged Steel

Load Capacity: 540 to 3,300 lbs.

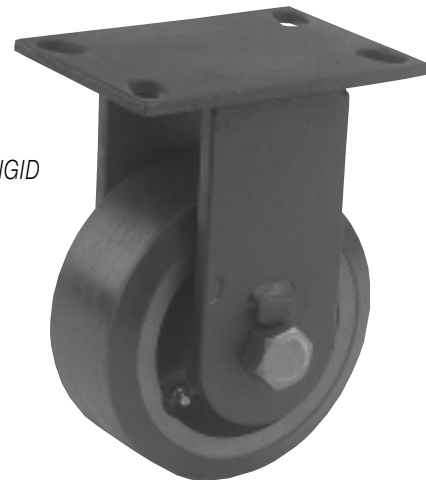
## Quality Features

- INTEGRALLY FORGED KING PIN.**  
 Solid 1" king pin is integrally forged with upper raceway using SAE-1050 quality grade steel. Used with a slotted nut to allow for proper bearing adjustment whenever necessary. Designed to be virtually indestructible!
- HOT FORGED STEEL CONSTRUCTION.**  
 Top plate, yoke base and bearing retainer are hot forged using SAE-1050 hardening quality steel. Raceways are precision machined for 1/2" hardened chrome steel load bearings and tapered thrust bearing.
- FLAME HARDENED SWIVEL RACEWAY.**  
 All bearing raceways are flame hardened to extend service life, reduce brinelling from shock loads, and to generally improve swivel performance.
- EMBOSSED AND WELDED FORK LEGS.**  
 Side forks are embossed and continuously welded on both sides for added strength.
- LOCKED WHEEL AXLE.**  
 Steel axle bolt is locked in position with indexing lance in side fork to prevent unwanted movement.

SWIVEL

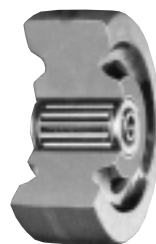
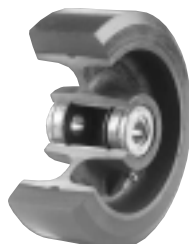


RIGID

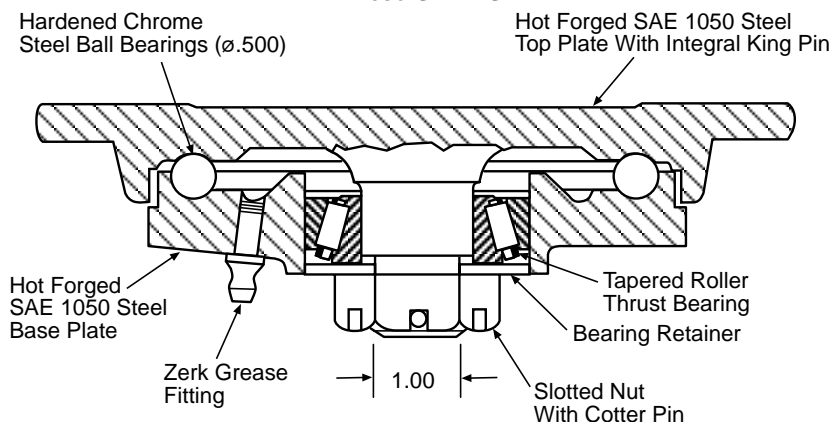


## Wheel Selection

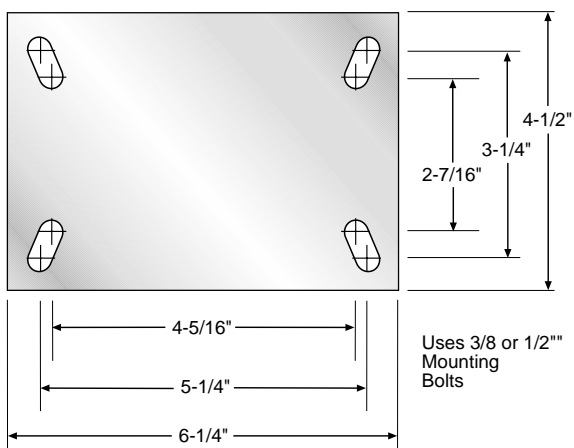
CAST IRON HUB	CAST IRON HUB	CAST IRON HUB	PHENOLIC	CAST IRON	ADVANCED ELASTOMER
MOLD-ON RUBBER	MOLD-ON POLYURETHANE	MOLD-ON SOFT POLY			



**SWIVEL BEARING RACEWAY  
R650 SERIES**



**TOP PLATE**



Diameter	Tread Width	Load Capacity LBS	Wheel Material	Bearing	Swivel Part Number	Rigid Part Number	Approx. Weight LBS	Overall Height	Swivel Radius	
6	2	2000	DROP FORGED STEEL	TAPERED ROLLER	SC-651-6-FS	RC-651-6-FS	18	7-3/4	5	
					SC-653-6-FS	RC-653-6-FS	18-1/2	8-1/4	4-5/8	
	2 1/2	540	MOLD-ON RUBBER	TAPERED ROLLER	SC-652-6-RS	RC-652-6-RS	18-2/5	7-3/4	5	
					SC-654-6-RS	RC-654-6-RS	18-9/10	8-1/4	4-5/8	
		960	SOFT POLY / CAST IRON HUB	TAPERED ROLLER	SC-652-6-PS8	RC-652-6-PS8	21-1/10	7-3/4	5	
					SC-654-6-PS8	RC-654-6-PS8	21-3/5	8-1/4	4-5/8	
		1600	ADVANCED ELASTOMER	ROLLER	SC-652-6-TAE	RC-652-6-TAE	21-1/10	7-3/4	5	
					SC-654-6-TAE	RC-654-6-TAE	21-3/5	8-1/4	4-5/8	
				TAPERED ROLLER	PRECISION BALL	SC-652-6-PXAE	RC-652-6-PXAE	21-1/10	7-3/4	5
					SC-654-6-PXAE	RC-654-6-PXAE	21-3/5	8-1/4	4-5/8	
					SC-652-6-PR	RC-652-6-PR	14-1/10	7-3/4	5	
					SC-654-6-PR	RC-654-6-PR	14-3/5	8-1/4	4-5/8	
	3000	CAST IRON	TAPERED ROLLER	SC-652-6-PS	RC-652-6-PS	21-1/10	7-3/4	5		
				SC-654-6-PS	RC-654-6-PS	21-3/5	8-1/4	4-5/8		
8	2 1/2	670	MOLD-ON RUBBER	TAPERED ROLLER	SC-655-8-RS	RC-655-8-RS	24-1/5	10-1/8	6-1/2	
					SC-655-8-PS8	RC-655-8-PS8	25-4/5			
		1800	SOFT POLY / CAST IRON HUB	ROLLER	SC-655-8-TAE	RC-655-8-TAE				18
					PRECISION BALL	SC-655-8-PXAE	RC-655-8-PXAE			
		2000	ADVANCED ELASTOMER	TAPERED ROLLER	SC-655-8-PR	RC-655-8-PR	25-4/5			
					SC-655-8-PS	RC-655-8-PS	25-4/5			
					SC-655-8-PS	RC-655-8-PS	29-7/10			
					SC-655-8-CI	RC-655-8-CI	29-7/10			
10	2 1/2	790	MOLD-ON RUBBER	TAPERED ROLLER	SC-656-10-RS	RC-656-10-RS	34-4/5	12-1/4	7-1/2	
					ROLLER	SC-656-10-TAE	RC-656-10-TAE			37-3/10
		2000	ADVANCED ELASTOMER	PRECISION BALL	SC-656-10-PXAE	RC-656-10-PXAE	21-1/5			
					SC-656-10-PR	RC-656-10-PR				
		2160	SOFT POLY / CAST IRON HUB	TAPERED ROLLER	SC-656-10-PS	RC-656-10-PS	37-3/10			
					SC-656-10-PS	RC-656-10-PS				
3300	CAST IRON	TAPERED ROLLER	SC-656-10-CI	RC-656-10-CI	34-7/10					