

SERIES N22/N32 MEDIUM / HEAVY-DUTY

Capacity to 1200 lbs.

A revolutionary concept for medium- to heavy-duty casters. Two significant features make this caster different from all the rest: A one-piece fork/horn, and a one-piece combination lower ball race and king pin. It's never been accomplished before. A deep-drawn formed fork/horn, with no welds mounted on a 4" x 4-1/2" top plate.

The one-piece fork/horn design distributes loads across the larger portion of the ball race. The one-piece combination lower ball race and king pin improves structure rigidity and easier swiveling. The 3/4-inch diameter king pin is orbital cold forged for superior strength and stability.

This unique design provides smooth swivel action, less swivel strain, assuring longer life. Lubricated roller bearings and bushings give you a caster that can withstand loads up to 1200 lbs. Gray epoxy powder coating fights corrosion (zinc finish also available). American-made with superior quality control at every manufacturing step. These are the medium- to heavy-duty answers for strong caster applications.

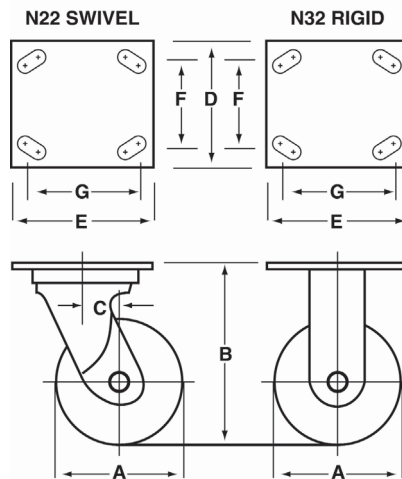


Series N22 Swivel Caster
with polyurethane/mold-on
cast iron wheel



Series N32 Rigid Caster
with rubber/mold-on cast iron wheel

Swivel Caster Series N22 & Rigid Caster Series N32				
Wheel Diameter "A"	Fork Leg Spacing	Top Plate		
		Size "D" x "E"	Bolt Hole Spacing "F" x "G"	Bolt Size
4	2-1/2	4 x 4-1/2	F = 2-5/8 to 3 G = 3 to 3-5/8	3/8
5				
6				
8				



Foot brakes available on 4" - 8" casters. One kit fits all sizes.

2- and 4-position locks available on 4" - 8" casters. Spring loaded plunger locks swivel model to hold caster in 2 or 4 positions.



APPLICATIONS

- Platform & stock trucks/dollies
- Trash, mail & cargo containers
- Freight terminal trucks
- Bakery equipment
- Food service & housekeeping carts

FEATURES

- One-piece swivel caster horn construction — no welds — assures less failure, longer life
- Fewer swivel caster parts mean less chance of failure.
- 3/4" king pin is orbit formed — unitized design provides longer life
- Swivel casters have hardened top plate and fork to assure longer wear life to both upper and lower ball raceways
- Swivel casters have a nylon grease seal ring on the upper ball raceway, keeping dirt out and retaining a large grease reservoir
- Swivel seal ring temp. range: -20°F to 230°F
- Grey epoxy powder coat finish or zinc-plated finish available
- Meets ASME B56.11.1 industry standards
- The 4" x 4-1/2" top plate will fit into the N22-QCP quick change caster pad

OPTIONS

- Foot brake can be factory or field installed (FB-N22 or FBH-N22)
- Wheel grease seals
- Optional lower ball race cap seal. Flexible PVC cap that can be factory or field installed and protects against dirt getting into lower raceway. Temp. range: -40°F to 200°F. (See diagram of N22 swivel cross section on page 17)

SERIES N22/N32 MEDIUM / HEAVY-DUTY Capacity to 1200 lbs.

Wheel Diameter	Tread Width	Wheel Type	Load Capacity	Bearing Type	Wheel Order No.	Swivel Order No.	Rigid Order No.	Overall Height	Swivel Lead	Swivel Weight	Axle No.	Bushing No.
4	2	Semi-Steel	1000	Plain	42-MC	N22-4-IW	N32-4-IW	5-5/8	1-1/2	6.6	22	P6HT
		Semi-Steel	1000	Roller	42-MRC	N22-4-IRB	N32-4-IRB			6.5	22-6H	
		Semi-Steel/V-Groove	1000	Roller	234-RB	N22-4-VG	N32-4-VG			6.8	22-6H	
		Ductile V-Groove	1000	Roller	DU-244-RC	DU-N22-4-VG	DU-N32-4-VG			7.7	22-6H	
		Solid Rubber Soft	300	Plain [^]	2-304-OB	N22-4-SR	N32-4-SR			4.3	22	6H
		Solid Rubber Hard	500	Plain [^]	2-314-OB	N22-4-HR	N32-4-HR			4.4	22	P6H
		Solid Rubber Hard	500	Roller	2-314-RC	N22-4-HRR	N32-4-HRR			4.6	22-6H	6H
		Rubber/Mold-On**	290	Roller	524-RC	N22-4-RT	N32-4-RT			5.8	22-6H	P6H
		Polyurethane**	900	Roller	824-RC	N22-4-PO	N32-4-PO			5.8	22-6H	P6HT
		Polyurethane/Alum.	900	Roller	AC-824-RC	N22-4-POAC	N32-4-POAC			5.1	22	
		Polyolefin	400	Plain	624-OC	N22-4-PH	N32-4-PH			3.7	22-6H	P6H
		Polyolefin	450	Delrin	624-CC	N22-4-PDI	N32-4-PDI			3.6	22-6H	
		Polyolefin	500	Roller	624-RC	N22-4-PDR	N32-4-PDR			3.8	22-6H	
		Polyurethane*	500	Delrin	1824-CC	N22-4-PRI	N32-4-PRI			4.2	22-6H	P6HT
		Polyurethane*	500	Roller	1824-RC	N22-4-PRB	N32-4-PRB			4.4	22-6H	
Thermoplastic/Rubber	325	Roller	2524-RC	N22-4-TPR	N32-4-TPR	4.1	22-6H					
Phenolic	800	Roller	1724-RC	N22-4-MC	N32-4-MC	4.4	22-6H	6-1/2	1-3/4	8.0	22	P6HT
Semi-Steel	1000	Roller	52-MRC	N22-5-IRB	N32-5-IRB	7.8	22			S6H		
Rubber/Mold-On**	350	Roller	525-RC	N22-5-RT	N32-5-RT	6.2	22			P6HT		
Hi-Cap/Mold-On**	700	Roller	925-RC	N22-5-HC	N32-5-HC	6.5	22					
Polyurethane**	1000	Roller	825-RC	N22-5-PO	N32-5-PO	6.5	22					
Polyurethane/Alum.	1000	Roller	AC-825-RC	N22-5-POAC	N32-5-POAC	6.1	22			P6H		
Polyurethane*	750	Roller	1825-RC	N22-5-PRB	N32-5-PRB	6.2	22-6H					
Polyurethane*	675	Delrin	1825-CC	N22-5-PRI	N32-5-PRI	4.8	22-6H					
Polyolefin	550	Plain	625-OC	N22-5-PH	N32-5-PH	3.9	22-6H			P6HT		
Polyolefin	650	Roller	625-RC	N22-5-PDR	N32-5-PDR	4.1	22-6H					
Polyolefin	650	Delrin	625-CC	N22-5-PDI	N32-5-PDI	4.0	22-6H					
Thermoplastic/Rubber	325	Roller	2525-RC	N22-5-TPR	N32-5-TPR	4.3	22-6H			P6HT		
Phenolic	1000	Roller	1725-RC	N22-5-MC	N32-5-MC	4.9	22-6H					
Phenolic	675	Delrin	1725-CC	N22-5-MCI	N32-5-MCI	4.8	22-6H					
Polyolefin (HD)	675	Delrin	HD-625-CC	N22-5-PDI-HD	N32-5-PDI-HD	4.8	22-6H			7-1/4 standard For 7-1/2 height add "X" prefix to model number	1-3/4	8.5
Semi-Steel	1200	Plain	136-B	N22-6-IW	N32-6-IW	8.5	22					
Semi-Steel	1200	Roller	136-RB	N22-6-IRB	N32-6-IRB	8.8	22					
Semi-Steel/V-Groove	1200	Roller	236-RB	N22-6-VG	N32-6-VG	6.2	22	6H				
Solid Rubber Hard	650	Plain [^]	316-OA	N22-6-HR	N32-6-HR	6.6	22	P6HT				
Rubber/Mold-On**	410	Roller	526-RC	N22-6-RT	N32-6-RT	7.4	22					
Hi-Cap/Mold-On**	820	Roller	926-RC	N22-6-HC	N32-5-HC	7.6	22					
Polyurethane**	1100	Roller	826-RC	N22-6-PO	N32-6-PO	7.3	22	P6HT				
Polyurethane/Alum.	1100	Roller	AC-826-RC	N22-6-POAC	N32-6-POAC	5.2	22-6H					
Polyurethane*	750	Roller	1826-RC	N22-6-PRB	N32-6-PRB	5.1	22-6H					
Polyurethane*	675	Delrin	1826-CC	N22-6-PRI	N32-6-PRI	4.0	22-6H	P6HT				
Polyolefin	650	Plain	626-OC	N22-6-PH	N32-6-PH	4.6	22-6H					
Polyolefin	750	Roller	626-RC	N22-6-PDR	N32-6-PDR	5.5	22-6H					
Polyolefin (HD)	1200	Roller	HD-626-RC	N22-6-PDR-HD	N32-6-PDR-HD	5.5	22-6H	P6HT				
Phenolic/Canvas	1200	Roller	1726-RC	N22-6-MC	N32-6-MC	5.5	22-6H					
Thermoplastic/Rubber	410	Roller	2526-RC	N22-6-TPR	N32-6-TPR	5.8	22-6H					

For rigid caster weights deduct 0.5 lbs. on 3"; 1.2 lbs. on 4"; 2.4 lbs. on 5"; 2.6 lbs. on 6" and 3.0 lbs. on 8".

* Polyethylene center ** Semi-Steel center ^ Self-Lube bearing

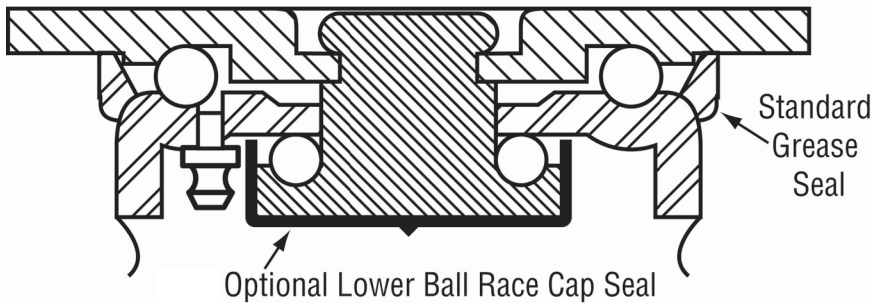
Series N22/N32 Casters continued - Capacity to 1,200 lbs.

Wheel Diameter	Tread Width	Wheel Type	Load Capacity	Bearing Type	Wheel Order No.	Swivel Order No.	Rigid Order No.	Overall Height	Swivel Lead	Swivel Weight	Axle No.	Bushing No.
8	2	Semi-Steel	1200	Roller	108-SRB	N22-8-IRB	N32-8-IRB	9-1/2	2-1/4	11.6	22	P6HT
		Rubber/Mold-On**	500	Roller	508-SA	N22-8-RT	N32-8-RT			8.0	22	
		Hi-Cap/Mold-On**	1000	Roller	908-SA	N22-8-HC	N32-8-HC			10.7	22	
		Polyurethane**	1200	Roller	808-SA	N22-8-PO	N32-8-PO			10.2	22	
		Polyurethane/Alum.	1200	Roller	AC-828-RC	N22-8-POAC	N32-8-POAC			9.8	22	
		Polyolefin	800	Roller	608-SA	N22-8-PDR	N32-8-PDR			5.5	22-6H	
		Polyolefin	675	Delrin	608-CC	N22-8-PDI	N32-8-PDI			5.3	22-6H	
		Polyolefin (HD)	1200	Roller	HD-608-SA	N22-8-PDR-HD	N32-8-PDR-HD			7.1	22-6H	
		Polyolefin (HD)	675	Delrin	HD-608-CC	N22-8-PDI-HD	N32-8-PDI-HD			7.0	22-6H	
		Phenolic/Canvas	1200	Roller	1708-SA	N22-8-MC	N32-8-MC			7.2	22-6H	
		Polyurethane*	800	Roller	1828-RC	N22-8-PRB	N32-8-PRB			6.4	22-6H	
		Thermoplastic/Rubber	500	Roller	2528-RC	N22-8-TPR	N32-8-TPR			7.1	22-6H	

For rigid caster weights deduct 0.5 lbs. on 3"; 1.2 lbs. on 4"; 2.4 lbs. on 5"; 2.6 lbs. on 6" and 3.0 lbs. on 8".

* Polyethylene center ** Semi-Steel center + Requires 2 spacers ++ Requires 3 spacers ^ Self-Lube bearing

N22 SWIVEL CROSS SECTION



Optional lower ball race cap seal

Flexible PVC cap that can be factory or field installed and protects against dirt and grit getting into lower raceway. Temp. range: -40°F to 200°F. Before lubricating, be sure to attach an alemite coupler #308730A to your push-type grease gun.