

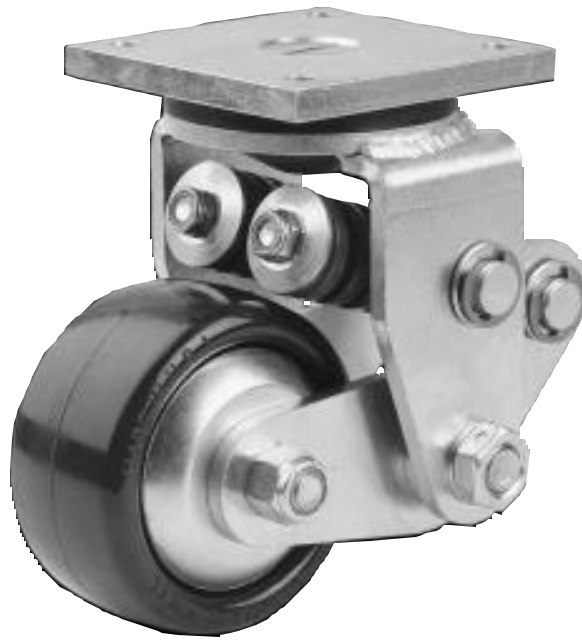
205L SERIES

Medium-Heavy Duty Shock Absorbing

Load Capacity: 1,000 lbs.

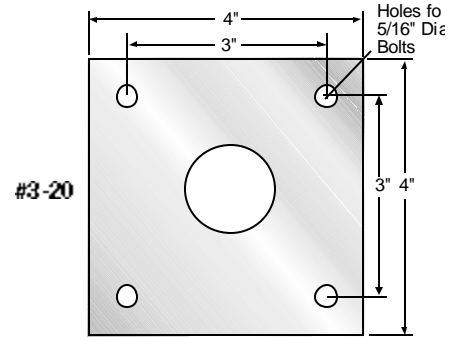
Quality Features

Ideal stabilizing caster for electric forklift trucks and pallet jacks. Danly springs located above the wheel provide excellent shock absorption within a narrow profile. Upper main load bearing and base plate are machined by CNC lathe to close tolerances and dimensions. Yoke legs and pivot arms are formed and continuously welded to yoke base for added strength and endurance. Upper raceway is permanently assembled with a neoprene grease seal. Metal grease cap over bottom raceway is press fit then secured with epoxy. Pressure fitting is provided for lubrication using conventional grease guns. Advanced Elastomer wheels with sealed precision bearings provide extremely low rolling resistance.

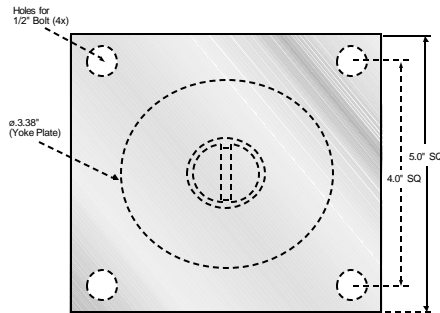


TOP PLATES

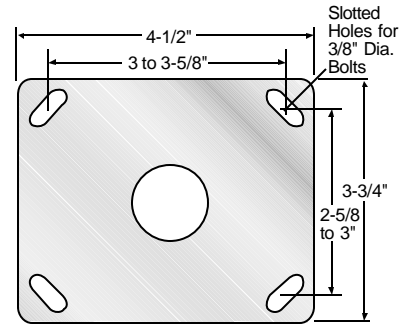
STANDARD



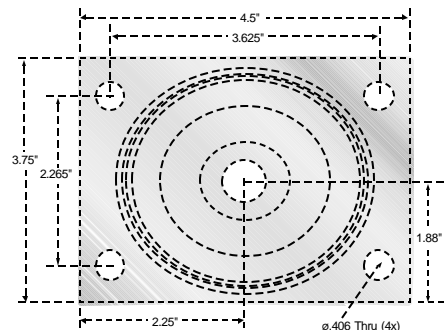
ALTERNATES



#3L



#24



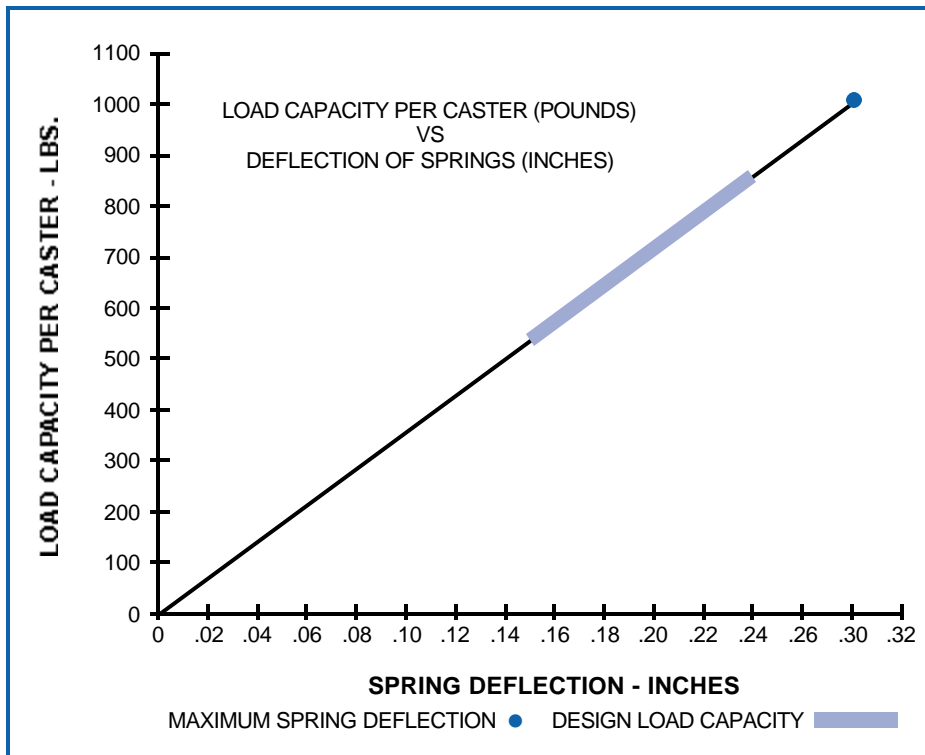
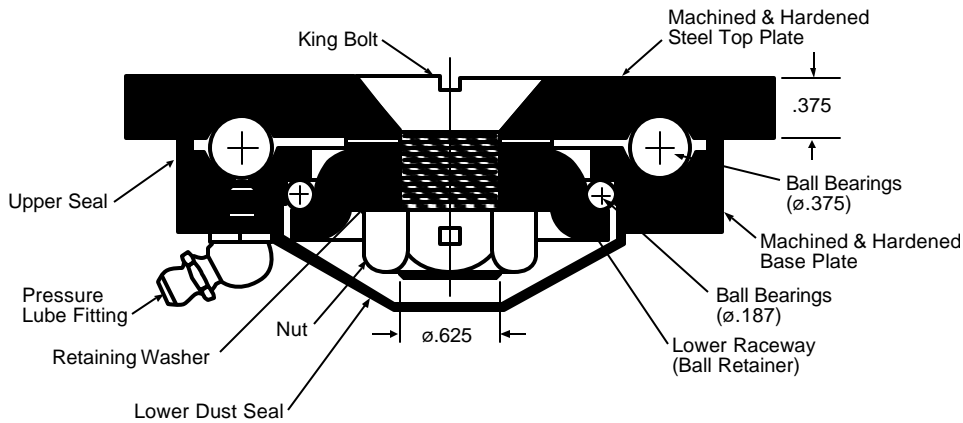
#3S

Wheel Selection

ADVANCED ELASTOMER



DOUBLE BALL BEARING SWIVEL RACEWAY- 20SL SERIES



Diameter	Tread Width	Load Capacity	Wheel Material	Bearing	Swivel Part Number	Approx. Weight	Overall Height
3	2	1000	ADVANCED ELASTOMER	SEALED PRECISION BALL	23-3-PXAE-SPL	8	7
4	2	1000	ADVANCED ELASTOMER	SEALED PRECISION BALL	24-3-PXAE-SPL	9-1/2	7-1/2
5	2	1000	ADVANCED ELASTOMER	SEALED PRECISION BALL	25-3-PXAE-SPL	11	9
6	2	1000	ADVANCED ELASTOMER	SEALED PRECISION BALL	26-3-PXAE-SPL	12-1/2	9-1/2
8	2	1000	ADVANCED ELASTOMER	SEALED PRECISION BALL	28-3-PXAE-SPL	14	11-1/2