

CARTWASH 2000

60 SERIES
80 SERIES

Load Capacity: 200 to 900 lbs.

Quality Features

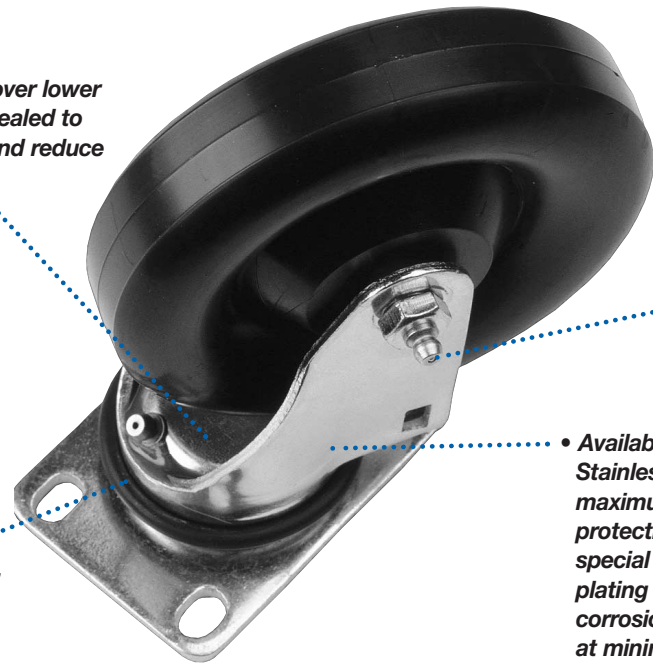
We've improved the original Darnell Cart Washable design to vastly reduce rusting under wet conditions. Used extensively in hospital laundries and food service areas, the CartWash 2000 reduces maintenance and provides extra life to both caster and equipment. Available in the 60 and 80 series to cover a wide range of sanitary applications found in hospitals, hotels, pharmaceutical labs, clean rooms, meat packing plants and food industries.

• **Metal grease cap over lower raceway is epoxy sealed to retain lubrication and reduce contamination.**

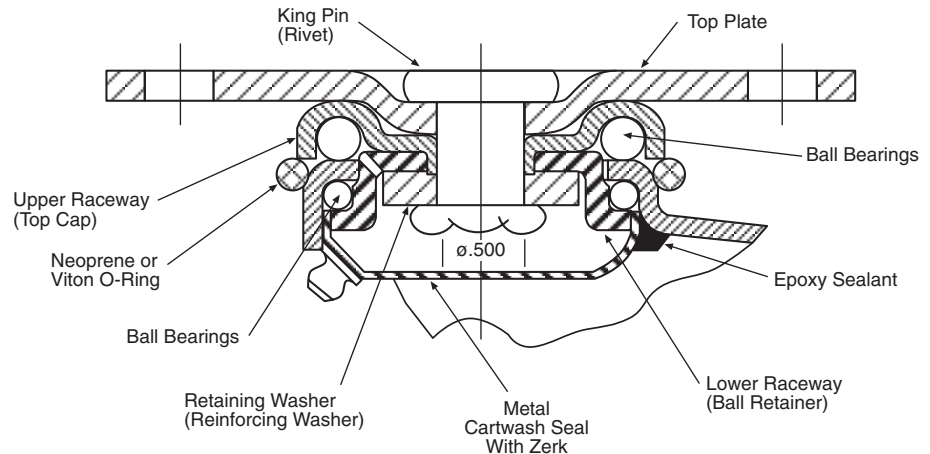
• **Zerk fittings in wheel axle and lower grease seal cap.**

• **Neoprene "O" ring seals upper ball race. Optional O-ring available for high-temperatures.**

• **Available in Stainless Steel for maximum corrosion protection, or special Yellow Zinc plating for excellent corrosion resistance at minimal cost.**



FOUR SIDED DOUBLE BALL BEARING RACEWAY – CARTWASH SERIES



Wheel Selection

ADVANCED ELASTOMER



NEOPRENE RUBBER



HI-CAP NEOPRENE

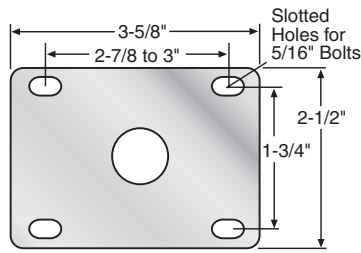


HARD RUBBER

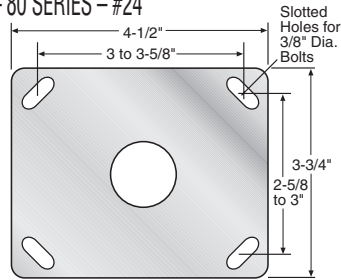


TOP PLATES

STANDARD - 60 SERIES - #20

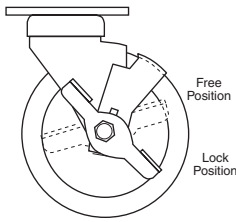


STANDARD - 80 SERIES - #24

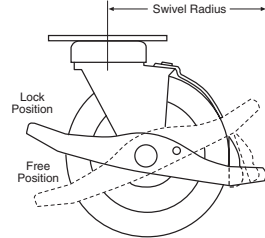


BRAKES (60 SERIES)

Radial Brake (RB)



Heavy Duty Wheel Brake (WB)



Radial Brake

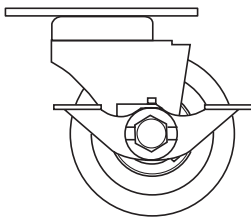
Exceptional brake for light and medium duty applications, either industrial or institutional. Side pedal engages tread lock to restrain wheel movement. Brake kit available for field installation. Available in 3", 3-1/2", 4", and 5". Not Available in 2-1/2" or 6".

Heavy Duty Wheel Brake

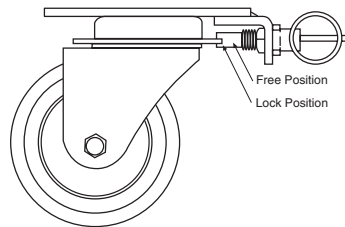
This wheel brake was especially designed for heavy equipment that must be made firmly immobile. The overall height of this caster with the brake applied or released remains the same, even when used with companion casters or a swivel or rigid. Available in 3", 3-1/2", 4", and 5". Not Available in 2-1/2".

BRAKES (80 SERIES)

Hub Brake (HB)



Four Position Swivel Lock (SL)



Hub Brake

Prevents wheel movement by engaging fork legs against wheel hub when foot pedal is applied in the locked position.

Four Position Swivel Lock

A horizontal four position swivel lock with a springloaded plunger to securely hold the swivel in the slotted position desired. Plunger can be put into a neutral position for free swiveling action.

POLYOLEFIN



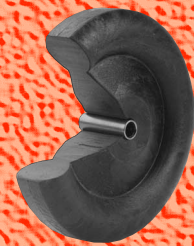
THERMO PLASTIC RUBBER



POLYURETHANE



HIGH-TEMPERATURE



CARTWASH 2000

60 SERIES

80 SERIES

continued

Diameter	Tread Width	Load Capacity	Wheel Material	Bearing	Swivel Part Number	Rigid Part Number	Approx. Weight	Overall Height	Swivel Radius			
3	1 1/4	200	NEOPRENE RUBBER	ACETAL	63-20-PDN-NCW	63-20-PRDN-NCW	2-1/2	4-5/16	2-3/4			
		250	HI-CAP NEOPRENE	ACETAL	63-20-PKN-NCW	63-20-PRKN-NCW						
	1 3/8	225	THERMO-PLASTIC RUBBER	DELTRIN	63-20-DPD-M-PO-NCW	63-20-DRPD-M-PO-NCW	3-1/4					
		240	POLYOLEFIN	PLAIN	63-20-BPO-NCW	63-20-BRPO-NCW	2-1/2					
		400	POLYURETHANE / POLYOLEFIN HUB	DELTRIN	63-20-DADI-M-PO-NCW	63-20-DRADI-M-PO-NCW	3-1/4					
3 1/2	1 1/4	200	NEOPRENE RUBBER	ACETAL	63 1/2-20-PDN-NCW	63 1/2-20-PRDN-NCW	2-1/2	4-3/4	3			
		250	HI-CAP NEOPRENE	ACETAL	63 1/2-20-PKN-NCW	63 1/2-20-PRKN-NCW						
		400	HARD RUBBER	ACETAL	63 1/2-20-PH-NCW	63 1/2-20-PRH-NCW						
		ADVANCED ELASTOMER	DELTRIN	63 1/2-20-DAE-NCW	63 1/2-20-DRAE-NCW							
	1 3/8	240	THERMO-PLASTIC RUBBER	DELTRIN	63 1/2-20-DPD-M-PO-NCW	63 1/2-20-DRPD-M-PO-NCW						
		265	POLYOLEFIN	PLAIN	63 1/2-20-BPO-NCW	63 1/2-20-BRPO-NCW						
400		POLYURETHANE / POLYOLEFIN HUB	DELTRIN	63 1/2-20-DADI-M-PO-NCW	63 1/2-20-DRADI-M-PO-NCW							
4	1 1/4	200	NEOPRENE RUBBER	ACETAL	64-20-PDN-NCW	64-20-PRDN-NCW	2-3/4	5-1/4	3-1/4			
		250	HI-CAP NEOPRENE	ACETAL	64-20-PKN-NCW	64-20-PRKN-NCW						
		400	HARD RUBBER	ACETAL	64-20-PH-NCW	64-20-PRH-NCW						
			ADVANCED ELASTOMER	DELTRIN	64-20-DAE-NCW	64-20-DRAE-NCW						
	1 3/8	260	THERMO-PLASTIC RUBBER	DELTRIN	64-20-DPD-M-PO-NCW	64-20-DRPD-M-PO-NCW	3-3/4					
		375	POLYOLEFIN	PLAIN	64-20-BPO-NCW	64-20-BRPO-NCW	2-3/4					
		400	POLYURETHANE / POLYOLEFIN HUB	DELTRIN	64-20-DADI-M-PO-NCW	64-20-DRADI-M-PO-NCW	3-3/4					
	1 7/8	350		NEOPRENE RUBBER	DELTRIN	84-24-DDN-CW	84-24-DRDN-CW			7-1/4	5-15/16	3
				THERMO-PLASTIC RUBBER	DELTRIN	84-24-DPD-M-PO-CW	84-24-DRPD-M-PO-CW					
2		410		POLYOLEFIN	PLAIN	84-24-BPO-CW	84-24-BRPO-CW					
		700		POLYURETHANE / POLYOLEFIN HUB	DELTRIN	84-24-DADI-M-PO-CW	84-24-DRADI-M-PO-CW					
		900		ADVANCED ELASTOMER	DELTRIN	84-24-DAE-CW	84-24-DRAE-CW					
5	1 1/4	200	NEOPRENE RUBBER	ACETAL	65-20-PDN-NCW	65-20-PRDN-NCW	3-1/4	6-1/4	4-3/4			
		250	HI-CAP NEOPRENE	ACETAL	65-20-PKN-NCW	65-20-PRKN-NCW						
		400	HARD RUBBER	ACETAL	65-20-PH-NCW	65-20-PRH-NCW						
			ADVANCED ELASTOMER	DELTRIN	65-20-DAE-NCW	65-20-DRAE-NCW						
	1 3/8	275	THERMO-PLASTIC RUBBER	DELTRIN	65-20-DPD-M-PO-NCW	65-20-DRPD-M-PO-NCW	3-3/4					
		400		POLYOLEFIN	PLAIN	65-20-BPO-NCW	65-20-BRPO-NCW			3-1/4		
				POLYURETHANE / POLYOLEFIN HUB	DELTRIN	65-20-DADI-M-PO-NCW	65-20-DRADI-M-PO-NCW			3-3/4		
	1 7/8	350		NEOPRENE RUBBER	DELTRIN	85-24-DDN-CW	85-24-DRDN-CW			7-1/2	6-5/8	4-1/8
				THERMO-PLASTIC RUBBER	DELTRIN	85-24-DPD-M-PO-CW	85-24-DRPD-M-PO-CW					
		2	440		POLYOLEFIN	PLAIN	85-24-BPO-CW					
800				POLYURETHANE / POLYOLEFIN HUB	DELTRIN	85-24-DADI-M-PO-CW	85-24-DRADI-M-PO-CW					
	900		ADVANCED ELASTOMER	DELTRIN	85-24-DAE-CW	85-24-DRAE-CW						
6	1 7/8	400	NEOPRENE RUBBER	DELTRIN	86-24-DDN-CW	86-24-DRDN-CW	8	7-1/2	4-5/8			
		440	THERMO-PLASTIC RUBBER	DELTRIN	86-24-DPD-M-PO-CW	86-24-DRPD-M-PO-CW						
	2	850		POLYOLEFIN	PLAIN	86-24-BPO-CW				86-24-BRPO-CW		
		900		POLYURETHANE / POLYOLEFIN HUB	DELTRIN	86-24-DADI-M-PO-CW				86-24-DRADI-M-PO-CW		
				ADVANCED ELASTOMER	DELTRIN	86-24-DAE-CW				86-24-DRAE-CW		
8	1 7/8	410	NEOPRENE RUBBER	DELTRIN	88-24-DDN-CW	88-24-DRDN-CW	10	9-3/4	5-3/4			
		410	THERMO-PLASTIC RUBBER	DELTRIN	88-24-DPD-M-PO-CW	88-24-DRPD-M-PO-CW						
	2			POLYOLEFIN	PLAIN	88-24-BPO-CW				88-24-BRPO-CW		
		900		POLYURETHANE / POLYOLEFIN HUB	DELTRIN	88-24-DADI-M-PO-CW				88-24-DRADI-M-PO-CW		
				ADVANCED ELASTOMER	DELTRIN	88-24-DAE-CW				88-24-DRAE-CW		

100

Stainless Steel

CartWash 2000: 60 Series

Diameter	Tread Width	Load Capacity	Wheel Material	Bearing	Swivel Part Number	Rigid Part Number	Approx. Weight	Overall Height	Swivel Radius
3	1¼	200	NEOPRENE RUBBER	ACETAL	63-20-PDN-SS-NCW	63-20-PRDN-SS-NCW	2-1/2	4-5/16	2-3/4
		250	HI-CAP NEOPRENE	ACETAL	63-20-PKN-SS-NCW	63-20-PRKN-SS-NCW			
		400	HARD RUBBER	ACETAL	63-20-PH-SS-NCW	63-20-PRH-SS-NCW			
			ADVANCED ELASTOMER	DELRIN	63-20-DAE-SS-NCW	63-20-DRAE-SS-NCW			
			HARD RUBBER	ACETAL	63-20-PH-SS-NCW	63-20-PRH-SS-NCW			
	1⅜	400	ADVANCED ELASTOMER	DELRIN	63-20-DAE-SS-NCW	63-20-DRAE-SS-NCW			
		225	THERMO-PLASTIC RUBBER	DELRIN	63-20-DPD-M-PO-SS-NCW	63-20-DRPD-M-PO-SS-NCW	3-1/4		
		240	POLYOLEFIN	PLAIN	63-20-BPO-SS-NCW	63-20-BRPO-SS-NCW	2-1/2		
		400	POLYURETHANE / POLYOLEFIN HUB	DELRIN	63-20-DADI-M-PO-SS-NCW	63-20-DRADI-M-PO-SS-NCW	3-1/4		
		3½	1¼	200	NEOPRENE RUBBER	ACETAL	63 1/2-20-PDN-SS-NCW	63 1/2-20-PRDN-SS-NCW	2-1/2
250	HI-CAP NEOPRENE			ACETAL	63 1/2-20-PKN-SS-NCW	63 1/2-20-PRKN-SS-NCW			
400	HARD RUBBER			ACETAL	63 1/2-20-PH-SS-NCW	63 1/2-20-PRH-SS-NCW			
1⅜	ADVANCED ELASTOMER		DELRIN	63 1/2-20-DAE-SS-NCW	63 1/2-20-DRAE-SS-NCW				
	240		THERMO-PLASTIC RUBBER	DELRIN	63 1/2-20-DPD-M-PO-SS-NCW	63 1/2-20-DRPD-M-PO-SS-NCW			
	265		POLYOLEFIN	PLAIN	63 1/2-20-BPO-SS-NCW	63 1/2-20-BRPO-SS-NCW			
400	POLYURETHANE / POLYOLEFIN HUB	DELRIN	63 1/2-20-DADI-M-PO-SS-NCW	63 1/2-20-DRADI-M-PO-SS-NCW					
4	1¼	200	NEOPRENE RUBBER	ACETAL	64-20-PDN-SS-NCW	64-20-PRDN-SS-NCW	2-3/4	5-1/4	3-1/4
		250	HI-CAP NEOPRENE	ACETAL	64-20-PKN-SS-NCW	64-20-PRKN-SS-NCW			
		400	HARD RUBBER	ACETAL	64-20-PH-SS-NCW	64-20-PRH-SS-NCW			
	1⅜	ADVANCED ELASTOMER	DELRIN	64-20-DAE-SS-NCW	64-20-DRAE-SS-NCW				
		260	THERMO-PLASTIC RUBBER	DELRIN	64-20-DPD-M-PO-SS-NCW	64-20-DRPD-M-PO-SS-NCW	3-3/4		
		375	POLYOLEFIN	PLAIN	64-20-BPO-SS-NCW	64-20-BRPO-SS-NCW	2-3/4		
400	POLYURETHANE / POLYOLEFIN HUB	DELRIN	64-20-DADI-M-PO-SS-NCW	64-20-DRADI-M-PO-SS-NCW	3-3/4				
5	1¼	200	NEOPRENE RUBBER	ACETAL	65-20-PDN-SS-NCW	65-20-PRDN-SS-NCW	3-1/4	6-1/4	4-3/4
		250	HI-CAP NEOPRENE	ACETAL	65-20-PKN-SS-NCW	65-20-PRKN-SS-NCW			
		400	HARD RUBBER	ACETAL	65-20-PH-SS-NCW	65-20-PRH-SS-NCW			
			ADVANCED ELASTOMER	DELRIN	65-20-DAE-SS-NCW	65-20-DRAE-SS-NCW			
	1⅜	275	THERMO-PLASTIC RUBBER	DELRIN	65-20-DPD-M-PO-SS-NCW	65-20-DRPD-M-PO-SS-NCW	3-3/4		
		400	POLYOLEFIN	PLAIN	65-20-BPO-SS-NCW	65-20-BRPO-SS-NCW	3-1/4		
			POLYURETHANE / POLYOLEFIN HUB	DELRIN	65-20-DADI-M-PO-SS-NCW	65-20-DRADI-M-PO-SS-NCW	3-3/4		