

S A N D I N G

PNEUMATIC BELT SANDER BELTON

New ergonomic design

Model **B-10N, B-20N, and B-30N**

Redesigned for operators convenience with improved sanding and polishing efficiency.

Rubber grips prevent cold hands.

The most versatile belt sander ever developed for trimming, chamfering, bead grinding, and finish sanding.



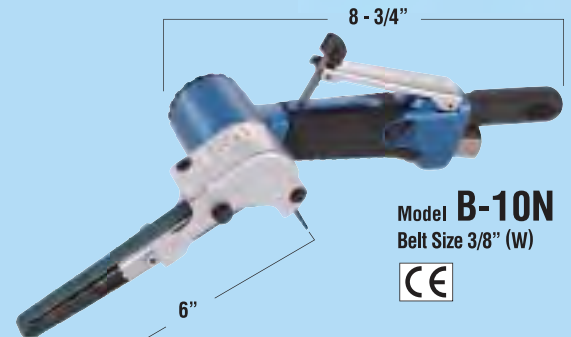
JQA-EM4057
NITTO KOHKI Co., LTD.
Headquarters
Research Center



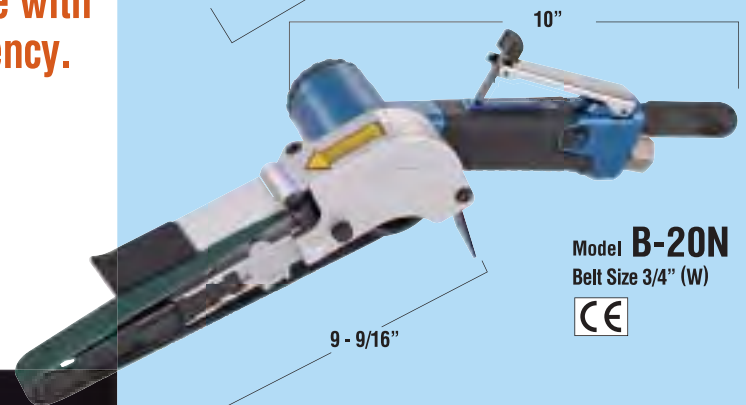
JQA-2042
NITTO KOHKI Co., LTD.
Machine Tools Division

Cat.No. **Tk110**

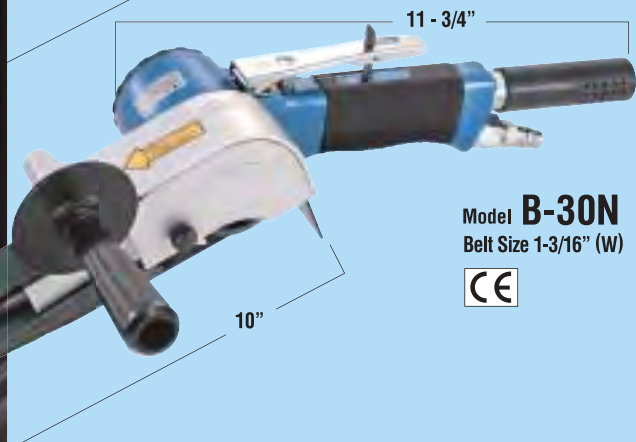
NEW



Model **B-10N**
Belt Size 3/8" (W)



Model **B-20N**
Belt Size 3/4" (W)



Model **B-30N**
Belt Size 1-3/16" (W)



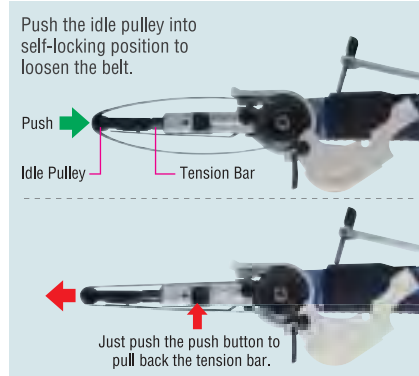
Suitable for sanding jobs in narrow spaces, recessed corners or on curved surfaces.



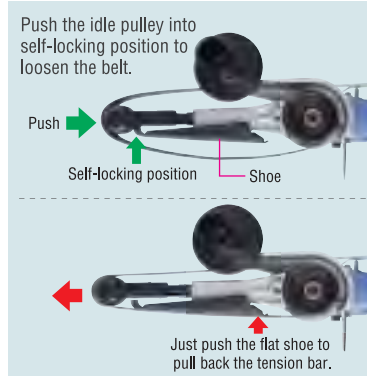
Belt change is quick and easy!

Belt change can be made easily by pushing the idle pulley against the housing to lock the tension bar.

For B-10N & B-20N



For B-30N



Belt speed adjustment

Belt speed can be easily adjusted by turning the adjust lever or adjust valve without a tool.

For B-10N & B-20N

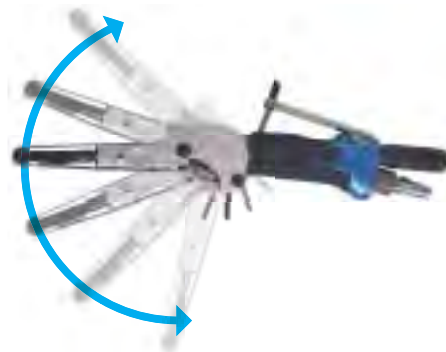


For B-30N



Guard position is adjustable

Guard angle can be changed freely in accordance with the working position and shape of the workpiece.



Specifications

Model	B-10N	B-20N	B-30N
Rated Air Pressure	psi 85	85	85
Air Consumption (No load)	cfm 14.2	18.4	24.0
Motor Free Speed	rpm 17,000	17,000	14,000
Belt Speed	fpm 3,675	8,596	7,087
Belt Size	3/8" x 13", 10 x 330mm	3/4" x 20-1/2", 20 x 520mm	1-3/16" x 21-1/4", 30 x 540mm
Hose Size	inch 1/4	1/4	1/4
Mass (Weight)	lbs 1.5	2.6	4.8
Standard Accessories	<ul style="list-style-type: none"> • #60, #80, #100, #120 Abrasive Belt - 1 ea. • 2mm Allen Wrench • 4mm Allen Wrench • Threaded Adapter PT 1/4 x NPT 1/4 	<ul style="list-style-type: none"> • #60, #80, #100, #120 Abrasive Belt - 1 ea. • 2.5mm Allen Wrench • 4mm Allen Wrench • 5mm Allen Wrench • Threaded Adapter PT 1/4 x NPT 1/4 • Convex Shoe • Finger Pad Assembly 	<ul style="list-style-type: none"> • #60, #80, #100, #120 Abrasive Belt - 1 ea. • 2mm Allen Wrench • 4mm Allen Wrench • Threaded Adapter PT 1/4 x NPT 1/4

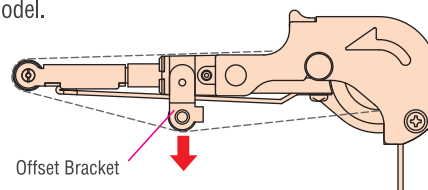
Optional Parts

Offset Bracket Assembly for B-10N, B-20N, and B-30N

An optional offset bracket assembly is available for each model.

Bracket 6 Ass'y for 1/4" x 13" or 6 x 330mm Belt (B-10N)

Part #	Description	Q'ty
TB07283	Bracket 6 Assembly	1 set
TQ10942	Shoe 6 for 1/4" or 6mm belt	1 pc.



*Curved surface sanding is possible by using the offset bracket.

Offset Bracket Assembly

Model	Part #
B-10N	TB05539
B-20N	TB07109
B-30N	TB08150

Aluminum Oxide Sanding Belts for Belton Sanders

Sanding Belt for Bracket 6 Ass'y with B-10N

Part #	Belt Grit	Q'ty
TP14646	#60	20 pcs
TP14481	#80	20 pcs
TP14647	#100	20 pcs
TP14482	#120	20 pcs
TP14648	#180	20 pcs

Sanding Belt for B-10N

Part #	Belt Grit	Q'ty
@U40001	#40	20 pcs
TP12438	#60	20 pcs
TP12439	#80	20 pcs
TP12440	#100	20 pcs
TP12441	#120	20 pcs
@U40002	#150	20 pcs
TP12543	#180	20 pcs

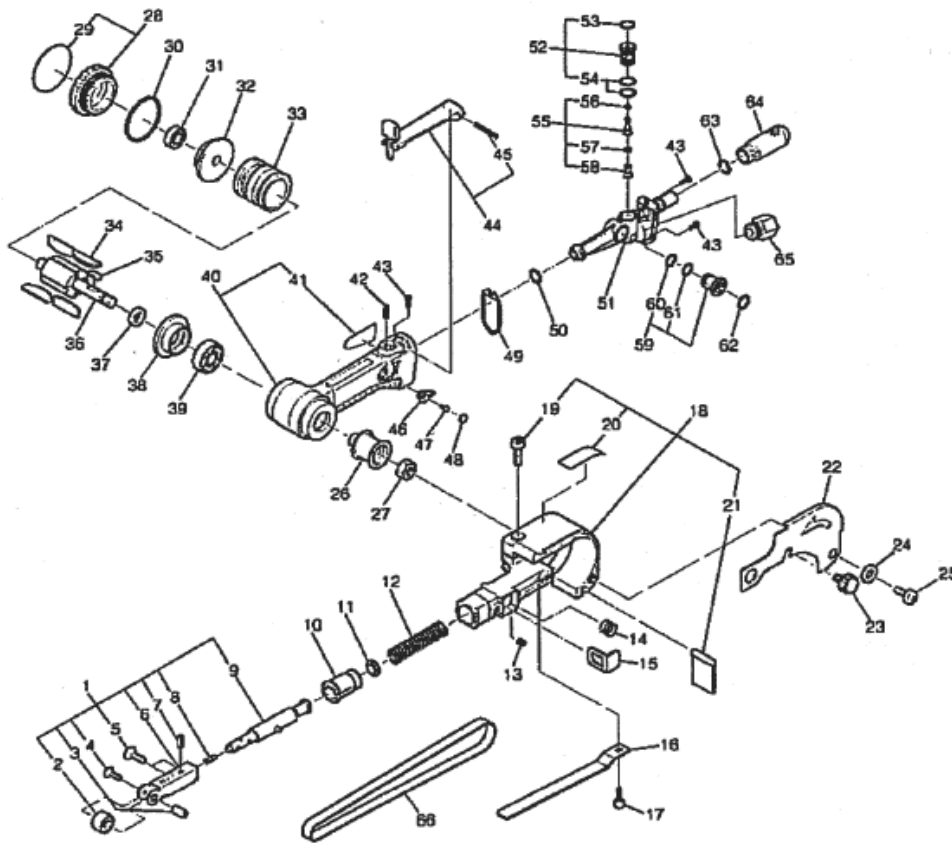
Sanding Belt for B-20N

Part #	Belt Grit	Q'ty
TP01941	#40	20 pcs
TP01936	#60	20 pcs
TP01942	#80	20 pcs
TP01943	#100	20 pcs
TP01944	#120	20 pcs
@U40004	#150	20 pcs
TP02002	#180	20 pcs

Sanding Belt for B-30N

Part #	Belt Grit	Q'ty
TP04074	#40	20 pcs
TP04084	#60	20 pcs
TP04085	#80	20 pcs
TP04086	#100	20 pcs
TP04078	#120	20 pcs
@U40006	#150	20 pcs
TP04511	#180	20 pcs

BELTON B-10N ASSEMBLY AND PARTS LIST



The part numbers with () are included in the Ass'y parts written above them.

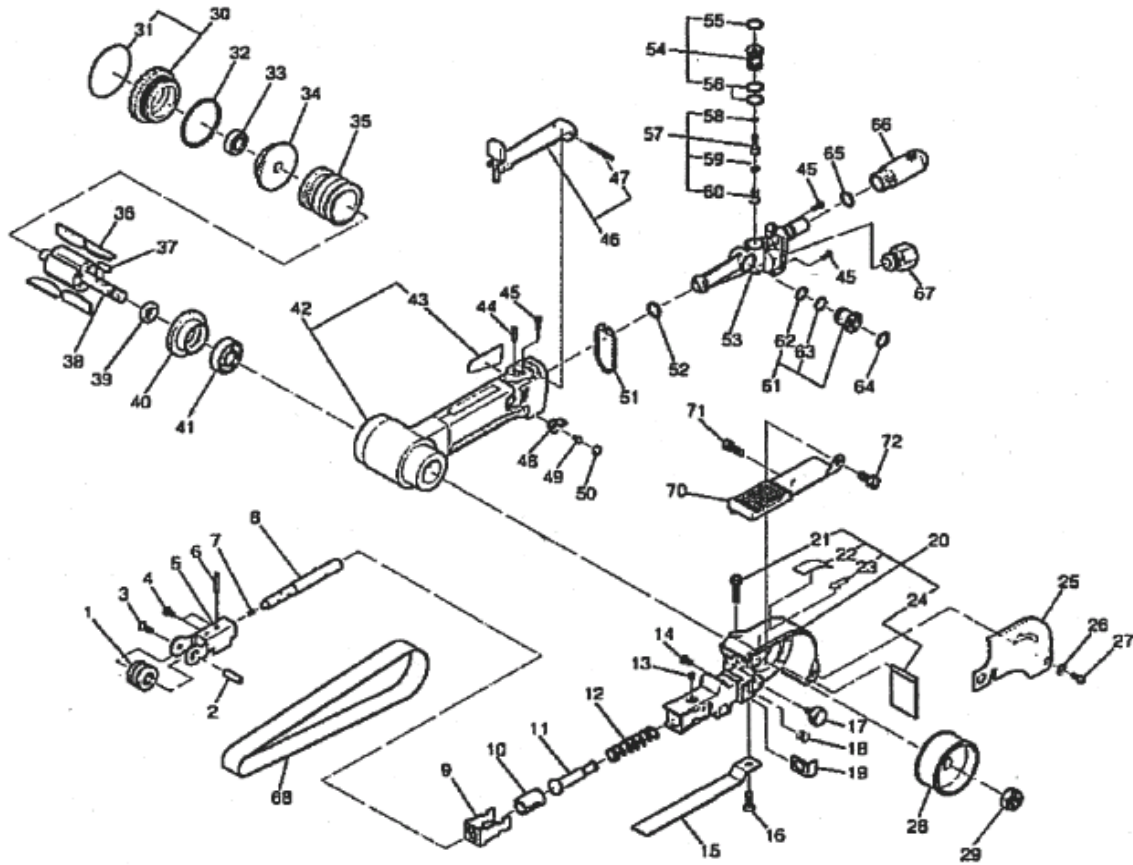
No.	Part No.	Part Name	Q'ty
1	TB07233	Bracket 10 Ass'y	1set
2	TA99155	Idle Pulley 10 Sub Ass'y	1set
3	TP12431	Idle Pulley Shaft 10	1
4	TP14455	Countersunk Head Screw 2 x 5	1
5	TQ10725	Hex.Socket Countersunk Head Set Screw 3x6	2
6	TB07898	Bracket 10 Sub Ass'y A	1set
7	TP14798	Spring Pin 3x10 AW	1
8	TQ10526	Tension Bar Spring	1
9	TB07236	Tension Bar Shaft Ass'y	1set
10	TQ07201	Guard Insert	1
11	TQ10934	Stopper	1
12	TQ10724	Spring 1.2x8x4.3x34	1
13	TP15643	Hex.Socket Set Screw 4x4 with Flat Point	1
14	TQ07218	Spring 0.35x7.5x7	1
15	TQ10587	Push Button	1
16	TQ10709	Shoe 10	1
17	TP02618	Pan Head Screw 4x8	1
18	TB07294	Guard Sub Ass'y B	1set
19	(TP08646)	Hex.Socket Head Cap Screw 5x14	1
20	(TP16361)	Label Caution	1
21	(TQ10710)	Dust Cover	1
22	TQ10711	Belt Cover	1
23	TQ10712	Decorative Screw	1
24	TP00144	Washer M4	1
25	TP12819	Pan Head Screw 4x6	1
26	TP14916	Drive Pulley	1
27	TP01924	Hex.Nut M6	1
28	TB07951	Cap Ass'y	1set
29	(TQ11823)	Label Model B-10N	1
30	TP05531	O-ring S-36	1
31	TP06386	Ball Bearing 607ZZ	1
32	TP12414	End Plate A	1
33	TP12415	Cylinder	1
34	TA9A364	Blade Ass'y (4pcs/set)	1set
35	TP10130	Parallel Key Both Ends Round 3x3x10	1
36	TP12416	Rotor	1
37	TP06322	Spacer 8x11x3	1

No.	Part No.	Part Name	Q'ty
38	TP12418	End Plate B	1
39	TP12419	Ball Bearing 628ZZ	1
40	TB07953	Housing Sub Ass'y	1set
41	(TQ11822)	Label Warning	1
42	TQ11559	Parallel Pin 3x14	1
43	TQ11560	Tapping Screw 3x8	3
44	TB07709	Lever Ass'y	1set
45	(TP00460)	Spring Pin 3x22AW	1
46	TQ11554	Adjust Lever	1
47	TP08598	Pan Head Screw 3x5	1
48	TQ11626	Lever Cap	1
49	TQ11555	Packing	1
50	CQ14480	O-ring JASO-1010	1
51	TB08078	Air Inlet Sub Ass'y	1set
52	TB07938	Throttle Valve Ass'y	1set
53	(TP14604)	O-ring S-10	1
54	(TP12569)	O-ring S-11.2	2
55	TB07708	Valve Stem Ass'y	1set
56	(TQ10395)	O-ring SS-2.5	1
57	(TP11994)	O-ring P-4	1
58	(TP03769)	Valve Spring	1
59	TB07937	Adjust Valve Ass'y	1set
60	(CQ25954)	O-ring AS568-012	1
61	(CQ05860)	O-ring AS568-013	1
62	(CP24969)	O-ring JASO-1011	1
63	TP07031	O-ring S-8	1
64	TB08079	Silencer Sub Assy	1set
65	TP00857	Bushing M16xPT 1/4	1

Standard Accessories

No.	Part No.	Part Name	Q'ty
	TP01939	Hex.Socket Screw Key 4	1
	TP13892	Hex.Socket Screw Key 2	1
66	TP16597	Abrasive Belt Z75 #60 x 10	2
	TB00076	Abrasive Belt Z75 #80 x 10	1
	TB00077	Abrasive Belt Z75 #100 x 10	1
	TB00247	Abrasive Belt Z75 #120 x 10	1
	TP02236	Bushing PT1/4 x NPT1/4	1
	TQ11700	Instruction Manual	1

BELTON B-20N ASSEMBLY AND PARTS LIST



The part numbers with () are included in the Ass'y parts written above them.

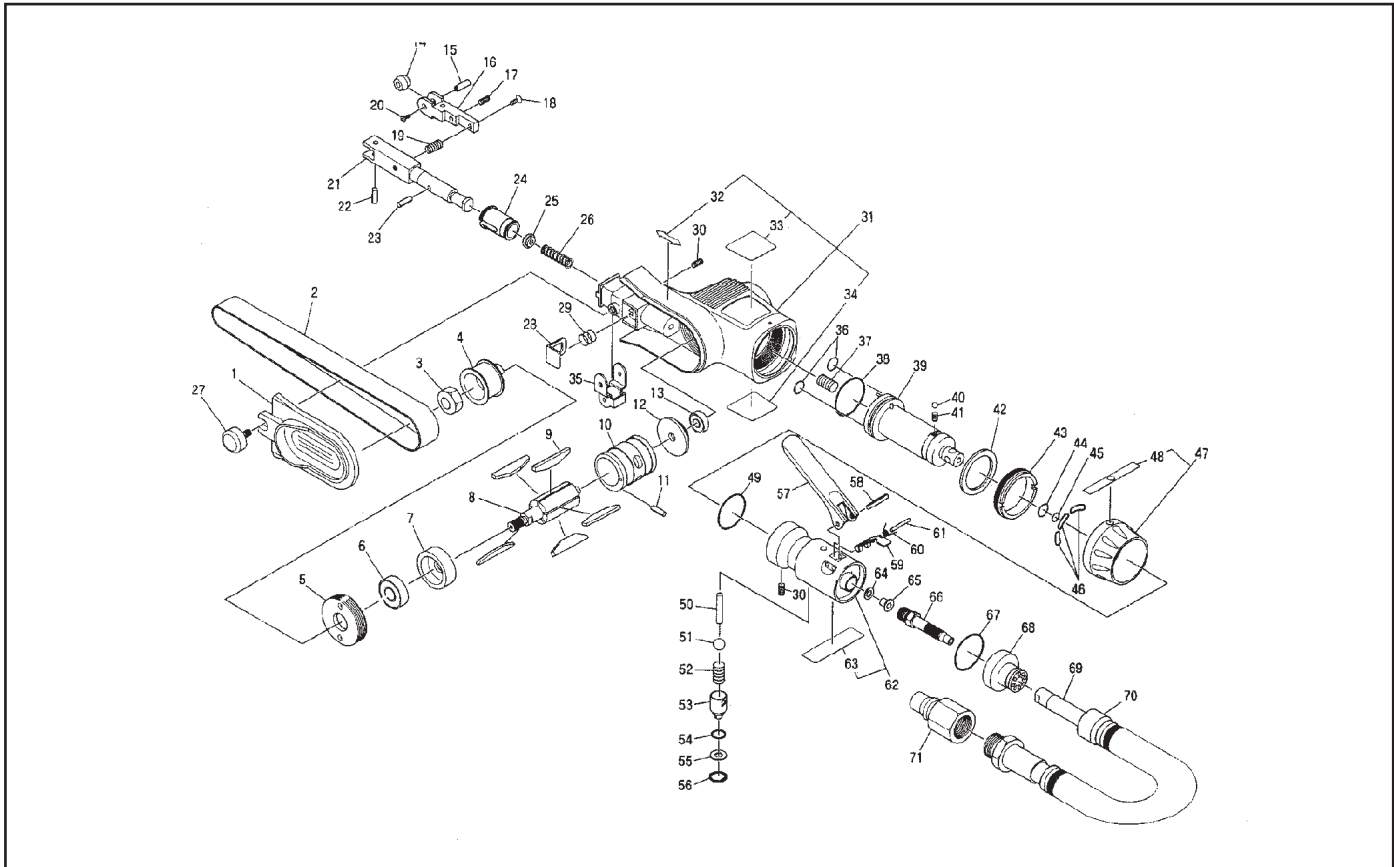
No.	Part No.	Part Name	Q'ty
1	TA99885	Idle Pulley A Ass'y	1set
2	TQ11616	Idle Pulley Shaft	1
3	TP16219	Hex.Countersunk Head Screw 4x10	1
4	TQ11400	Hex.Socket Button Head Screw 4x8	2
5	TB07747	Bracket Sub Ass'y A	1set
6	TP03544	Spring Pin 6x16 AW	1
7	TQ10526	Tension Bar Spring	1
8	TB07777	Tension Bar Shaft Ass'y	1set
9	TQ11610	Stopper	1
10	TQ11609	Guard Insert	1
11	TQ11620	Push Rod	1
12	TQ11621	Spring 1.6x11x45	1
13	TP15643	Hex.Socket Set Screw 4x4 with Flat Point	1
14	TQ11659	Hex.Socket Button Head Screw 3x6	1
15	TQ11611	Shoe	1
16	TQ11660	Pan Head Screw 5x6	1
17	TQ10712	Decorative Screw	1
18	TQ07218	Spring 0.35x7.5x7	1
19	TQ11622	Push Button	1
20	TB08068	Guard Sub Ass'y B	1set
21	(TP04532)	Hex.Socket Head Cap Screw 5x30	1
22	(TP16361)	Label Caution	1
23	(TP16360)	Label Rotation	1
24	(TP16207)	Dust Cover	1
25	TQ11618	Belt Cover	1
26	TP00144	Washer M4	1
27	TP12819	Pan Head Screw 4x6	1
28	TQ11617	Drive Pulley	1
29	TP01918	Hex.Nut M10	1
30	TB07958	Cap Ass'y	1set
31	(TQ11824)	Label Model B-20N	1
32	(CQ04413)	O-ring S-38	1
33	TP00468	Ball Bearing 608ZZ	1
34	TP01907	End Plate A	1
35	TP10000	Cylinder	1
36	TA9A212	Blade Ass'y (4pcs./set)	1set
37	TP00502	Parallel Key Both Ends Round 4x4x9.5	1
38	TP01909	Rotor	1
39	TP01912	Spacer	1
40	TP01911	End Plate B	1
41	TP01913	Ball Bearing 6000ZZ	1

No.	Part No.	Part Name	Q'ty
42	TB07957	Housing Sub Ass'y	1set
43	(TQ11822)	Label Warning	1
44	TQ11559	Parallel Pin 3x14	1
45	TQ11560	Tapping Screw 3x8	3
46	TB07709	Lever Ass'y	1set
47	(TP00460)	Spring Pin 3x22AW	1
48	TQ11554	Adjust Lever	1
49	TP08598	Pan Head Screw 3x5	1
50	TQ11626	Lever Cap	1
51	TQ11555	Packing	1
52	CQ14480	O-ring JASO-1010	1
53	TQ11551	Air Inlet	1
54	TB07938	Throttle Valve Ass'y	1set
55	(TP14604)	O-ring S-10	1
56	(TP12569)	O-ring S-11.2	2
57	TB07708	Valve Stem Ass'y	1set
58	(TQ10395)	O-ring SS-2.5	1
59	(TP11994)	O-ring P-4	1
60	(TP03769)	Valve Spring	1
61	TB07937	Adjust Valve Ass'y	1set
62	(CQ25954)	O-ring AS568-012	1
63	(CQ05860)	O-ring AS568-013	1
64	(CP24969)	O-ring JASO-1011	1
65	TP07031	O-ring S-8	1
66	TQ11558	Silencer	1
67	TP00857	Bushing M16xPT1/4	1

Standard Accessories

No.	Part No.	Part Name	Q'ty
68	TA99606	Abrasive Belt Z75 #60 x 20	2
	TA99607	Abrasive Belt Z75 #80 x 20	1
	TA99608	Abrasive Belt Z75 #100 x 20	1
	TA99609	Abrasive Belt Z75 #120 x 20	1
	TB07908	Finger Pad Sub Ass'y	1set
	TP00051	Pan Head Screw 5 x 10	1
	TP02419	Pan Head Screw 6 x 10	1
	TP04305	Hex.Socket Screw Key 2.5	1
	TP01939	Hex.Socket Screw Key 4	1
	TQ11686	Convex Shoe	1
	TP02236	Bushing PT1/4 x NPT1/4	1
	TQ11700	Instruction Manual	1

BELTON BB-10 ASSEMBLY AND PARTS LIST



The part numbers with () are included in the Ass'y parts written above them.

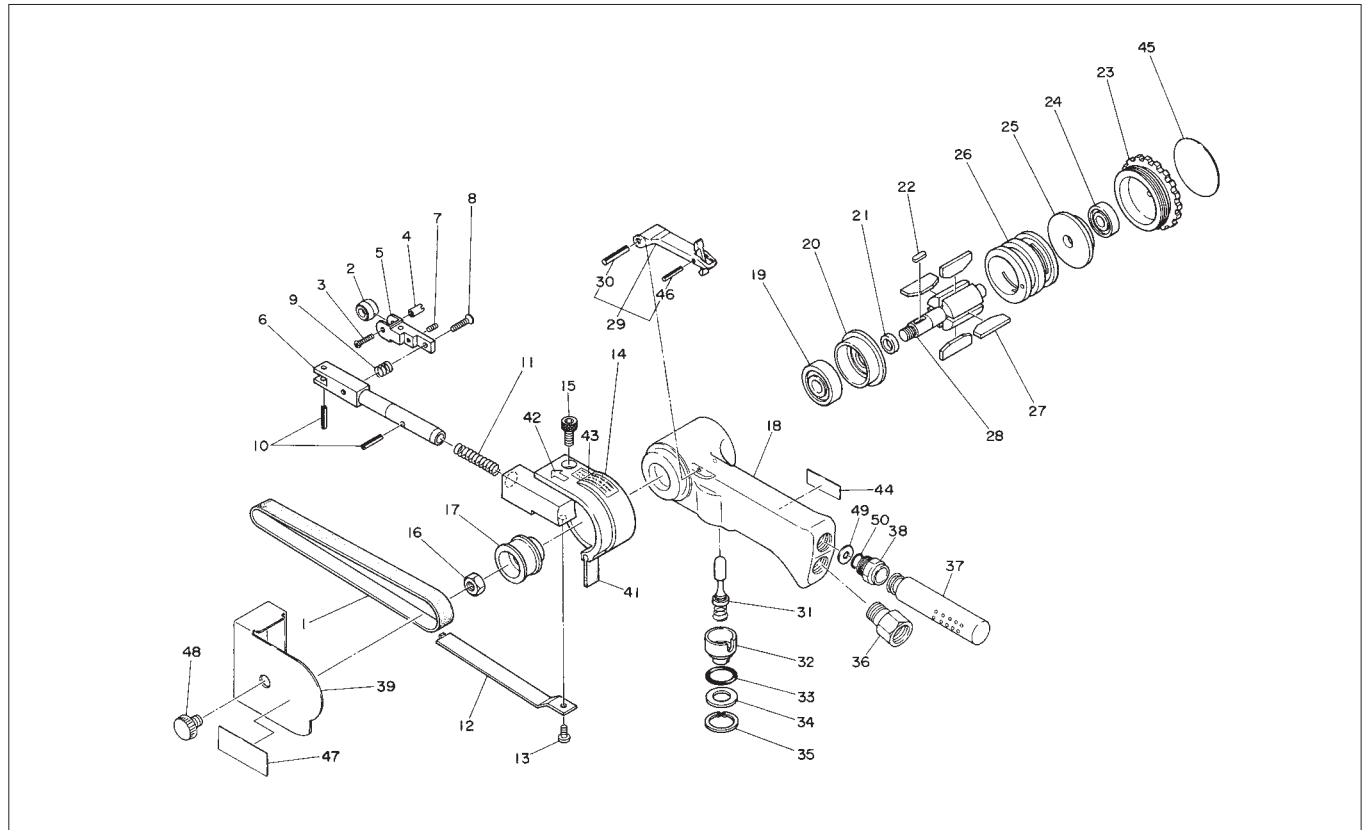
No.	Part No.	Part Name	Q'ty	Price
1	TQ07219	Cover	1	
2		Abrasive Belt Z76 #100 X 10	1	
3	TP01924	Hex Nut M6	1	
4	TQ07215	Drive Pulley	1	
5	TQ07216	Lock Screw	1	
6	TQ07226	Ball Bearing 698ZZ	1	
7	TQ07199	End Plate B	1	
8	TQ07196	Rotor	1	
9	TB05219	Blade Ass'y (5 pc/set)	1 set	
10	TQ07197	Cylinder	1	
11	TP04225	Spring Pin 2 X 4	1	
12	TQ07198	End Plate A	1	
13	TQ07225	Ball Bearing 695ZZ	1	
14	TA99155	Idle Pulley 10 Sub Ass'y	1 set	
15	TP12431	Idle Pulley Shaft B	1	
16	TP14761	Bracket 10	1	
17	TP02154	Hex Socket Set Screw 3 X 6	1	
18	TP05121	Countersink Head Screw 3 X 10	1	
19	TP14763	Spring 0.9 X 7.5 X 6.5	1	
20	TP14455	+ Head Screw 2 X 5	1	
21	TQ07203	Tension Bar	1	
22	TP14798	Spring Pin 3 X 10	1	
23	TQ07228	Spring Pin 3 X 12	1	
24	TQ07201	Guard Insert	1	
25	TQ07248	Stopper	1	
26	TQ07204	Spring 1 X 8.2 X 27.5	1	
27	TQ07220	Cover Screw	1	
28	TQ07217	Push Button	1	
29	TQ07218	Spring 0.35 X 7.5 X 7	1	
30	TQ07618	Hex. Screw 3 X 3	1 set	
31	TB05984	Housing Ass'y	1 set	
32	(TQ07221)	Rotating Direction Label	2	
33	(TQ07222)	Model Number Label	1	
34	(TQ07767)	Warning Label	1	
35	TB05539	Offset Bracket Ass'y	1 set	
36	TQ10274	O Ring SS-050	2	
37	TP06141	Hex Socket Set Screw 6 X 6	1	
38	CP27013	O Ring JASO-1025	1	
39	TB05962	Front Valve Sub Ass'y	1 set	
40	TP15767	Ball 3	1	

No.	Part No.	Part Name	Q'ty	Price
41	TQ10276	Spring 0.5 X 2.5 X 4.7	1	
42	TQ07208	Spacer 23 X 30 X 1.5	1	
43	TQ07209	Lock Ring	1	
44	TP14604	O Ring S-10	1	
45	TQ07356	O Ring S-6	1 set	
46	TQ10275	O Ring S-12	1	
47	TB05963	Valve Ring Ass'y	1 set	
48	(TQ10263)	Switch Label	1	
49	TP03988	O Ring S-20	1	
50	TQ10272	Parallel Pin 3 X 14	1	
51	TQ10271	Ball 1/4	1	
52	TQ10259	Valve Spring	1	
53	TQ10258	Adjust Valve	1	
54	TP12003	O Ring KS-5	1	
55	TP02152	Spacer M5	1	
56	TP17147	Internal Retaining Ring IRTW-10	1	
57	TQ10257	Throttle Lever	1	
58	TP13893	Spring Pin 3 X 22	1	
59	TQ10256	Lock Lever	1	
60	TQ10255	Lock Lever Spring	1	
61	TQ10269	Parallel Pin 2.5 X 16	1	
62	TB05987	Rear Valve Sub Ass'y	1 set	
63	(TQ10423)	Level Warning CE Mark	1	
64	TP06129	Spacer M3	1	
65	TQ10273	Hex Socket Low Head Cap Screw 3 X 5	1	
66	TQ07210	Hose Nipple	1	
67	TQ10280	O Ring S-22	1	
68	TQ10262	Hose Holder	1	
69	TQ04368	Charge Hose	1	
70	TQ04367	Exhaust Hose	1	
71		20PFF-PLA Ass'y (HI-Cupla)	1 set	

ACCESSORIES

No.	Part No.	Part Name	Q'ty	Price
		HA-65SN Ass'y (HI-Cupla)	1 set	
	TP14797	Hex Wrench Key 1.5	1	
		Abrasive Belt Z76 #120 X 10	1	
		Abrasive Belt Z76 #180 X 10	1	
		Abrasive Belt Z76 #240 X 10	1	
		Instruction Manual	1	

BELTON B-10B ASSEMBLY AND PARTS LIST



The Part Numbers with () are included in the Ass'y parts written above them.

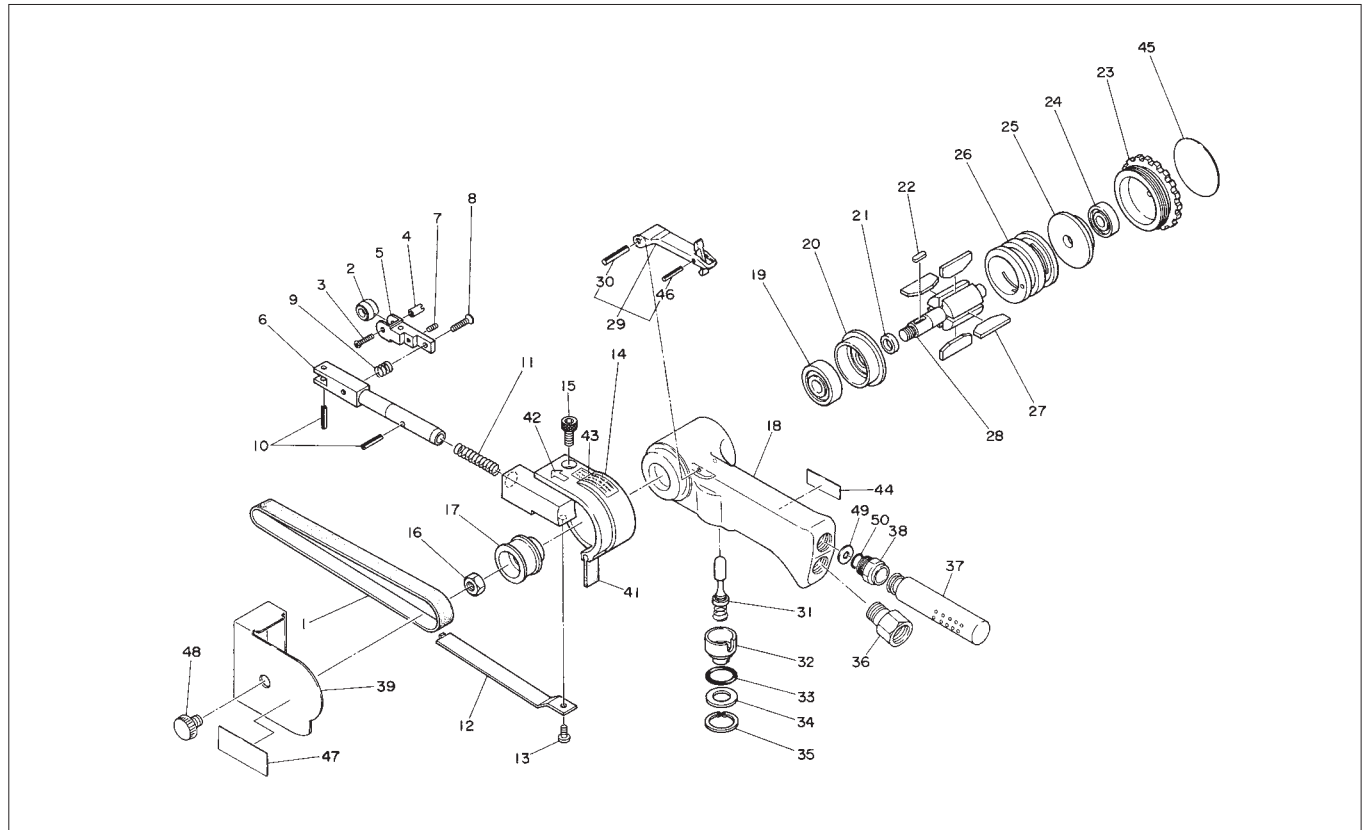
No.	Part No.	Part Name	Q'ty	Price
1	TP12438	Belts #60 X 10 (20 pcs/set)	1 set	
2	TA99155	Idle Pulley 10 Sub Ass'y	1 set	
3	TP14455	+ Screw 2 X 5	1	
4	TP12431	Idle Pulley Shaft B	1	
5	TP14761	Bracket 10	1	
6	TP14762	Tension Bar 10	1	
7	TP02154	Hex. Screw 3 X 6	1	
8	TP00155	+ Screw 3 X 8	1	
9	TP14763	Spring 0.9 X 7.5 X 6.5	1	
10	TP14798	Spring Pin 3 X 10	2	
11	TP14458	Spring 1.07 X 4.0 X 35.5	1	
12	TP14769	Shoe 10	1	
13	TA91575	+ Screw 4 X 8	1	
14	TB01982	Guard Sub Ass'y	1 set	
15	(TP01945)	Hex. Bolt 5 X 12	1	
41	(TP12423)	Dust Cover	1	
42	(TP12437)	Label -Direction	1	
43	(TP16361)	Warning Label	1	
16	TP01924	Hex. Nut M6	1	
17	TP14916	Drive Pulley	1	
18	TB01953	Housing Sub Ass'y	1 set	
44	(TQ02577)	Warning Label B-10B	1	
19	TP12419	Ball Bearing 628ZZ	1	
20	TP12418	End Plate B	1	
21	TP06322	Spacer 8 X 11 X 3	1	
22	TP10130	Sunk Key 3 X 3 X 10	1	
23	TB01921	Cap Ass'y	1 set	
45	(TQ02560)	Name Plate B-10B	1	
24	TP06386	Ball Bearing 607 ZZ	1	
25	TP12414	End Plate A	1 set	

No.	Part No.	Part Name	Q'ty	Price
26	TP12415	Cylinder	1	
27	TA9A364	Blades (4 pcs/set)	1 set	
28	TQ06447	Rotor	1	
29	TB01152	Lever Ass'y	1 set	
30	(TP00460)	Spring Pin 3 X 22	1	
46	(TP05498)	Spring Pin 2 X 16	1	
31	TA97633	Valve Stem Ass'y	1 set	
32	TP12405	Adjust Valve	1	
33	TP12407	O-Ring S-15	1	
34	TP12406	Spacer 10.5 X 17.9 X 1.6	1	
35	CP00987	Retaining Ring C-18	1	
36	TP00857	Reducer M16 X PT1/4	1	
37	TA96323	Silencer Sub Ass'y	1 set	
38	TP10005	Nipple PF3/8	1	
39	TB01930	Belt Cover Ass'y	1 set	
47	(TQ02207)	Label - CE Mark	1	
48	(TQ02418)	Fixating Screw 5 X 10	1	
49	TQ02663	Spacer 4.8 X 14.8 X 2.6	1	
50	CP01498	O-Ring	1	

ACCESSORIES

	TP02236	Bushing PT1/4 X NPT1/4	1	
	TP01939	Hex. Wrench Key 4	1	
	TP14797	Hex. Wrench Key 1.5	1	
	TP12438	Belts #60 X 10 (20 pcs/set)	1 set	
	TP12439	Belts #80 X 10 (20 pcs/set)	1 set	
	TP12440	Belts #100 X 10 (20 pcs/set)	1 set	
	TP12441	Belts #120 X 10 (20 pcs/set)	1 set	
	TQ02585	Instruction Manual	1	
	TP14770	Shoe 6	1	
	TA99052	Bracket 6 Ass'y	1	

BELTON B-10B ASSEMBLY AND PARTS LIST



The Part Numbers with () are included in the Ass'y parts written above them.

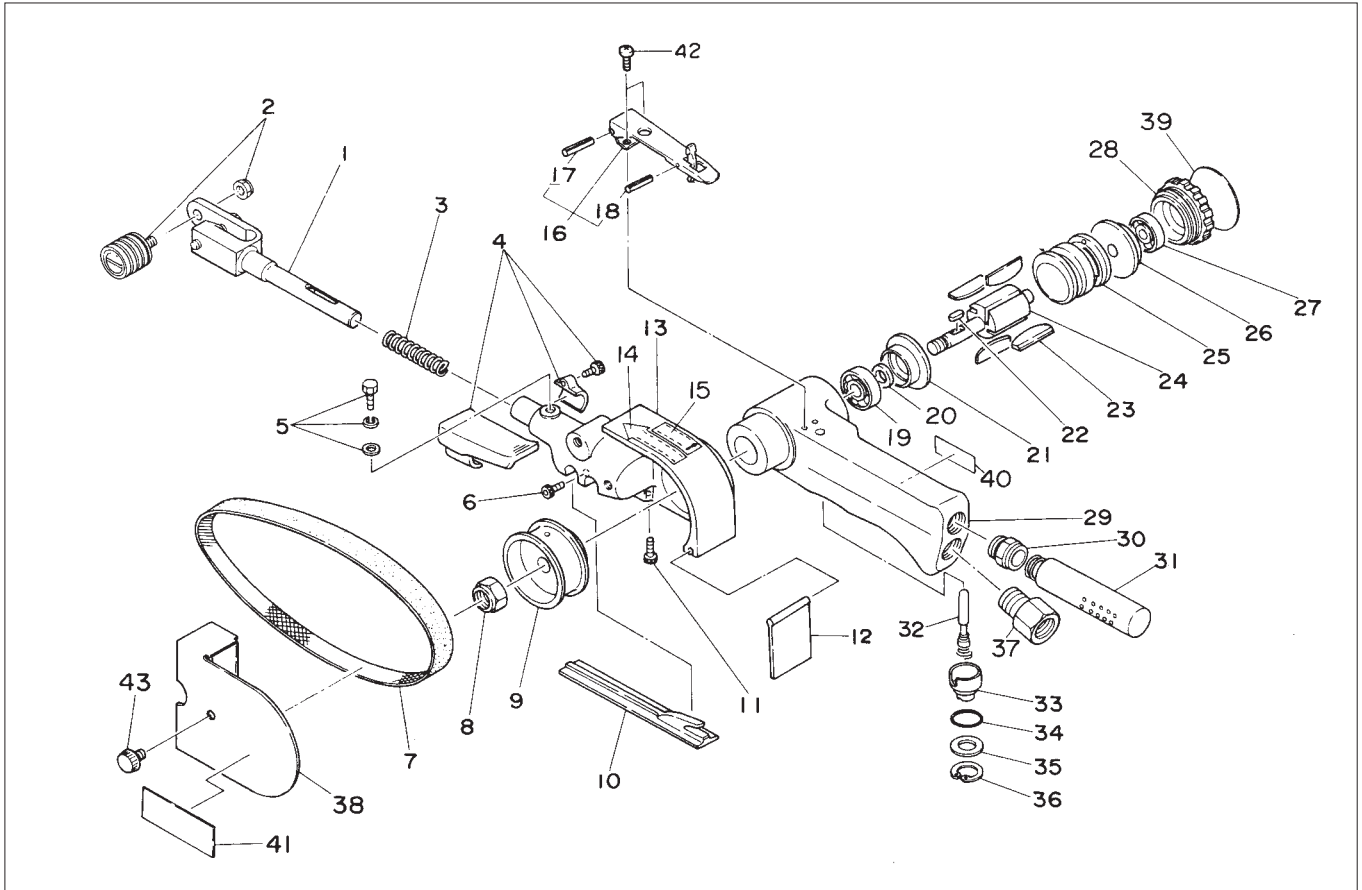
No.	Part No.	Part Name	Q'ty	Price
1	TP12438	Belts #60 X 10 (20 pcs/set)	1 set	
2	TA99155	Idle Pulley 10 Sub Ass'y	1 set	
3	TP14455	+ Screw 2 X 5	1	
4	TP12431	Idle Pulley Shaft B	1	
5	TP14761	Bracket 10	1	
6	TP14762	Tension Bar 10	1	
7	TP02154	Hex. Screw 3 X 6	1	
8	TP00155	+ Screw 3 X 8	1	
9	TP14763	Spring 0.9 X 7.5 X 6.5	1	
10	TP14798	Spring Pin 3 X 10	2	
11	TP14458	Spring 1.07 X 4.0 X 35.5	1	
12	TP14769	Shoe 10	1	
13	TA91575	+ Screw 4 X 8	1	
14	TB01982	Guard Sub Ass'y	1 set	
15	(TP01945)	Hex. Bolt 5 X 12	1	
41	(TP12423)	Dust Cover	1	
42	(TP12437)	Label -Direction	1	
43	(TP16361)	Warning Label	1	
16	TP01924	Hex. Nut M6	1	
17	TP14916	Drive Pulley	1	
18	TB01953	Housing Sub Ass'y	1 set	
44	(TQ02577)	Warning Label B-10B	1	
19	TP12419	Ball Bearing 628ZZ	1	
20	TP12418	End Plate B	1	
21	TP06322	Spacer 8 X 11 X 3	1	
22	TP10130	Sunk Key 3 X 3 X 10	1	
23	TB01921	Cap Ass'y	1 set	
45	(TQ02560)	Name Plate B-10B	1	
24	TP06386	Ball Bearing 607 ZZ	1	
25	TP12414	End Plate A	1 set	

No.	Part No.	Part Name	Q'ty	Price
26	TP12415	Cylinder	1	
27	TA9A364	Blades (4 pcs/set)	1 set	
28	TQ06447	Rotor	1	
29	TB01152	Lever Ass'y	1 set	
30	(TP00460)	Spring Pin 3 X 22	1	
46	(TP05498)	Spring Pin 2 X 16	1	
31	TA97633	Valve Stem Ass'y	1 set	
32	TP12405	Adjust Valve	1	
33	TP12407	O-Ring S-15	1	
34	TP12406	Spacer 10.5 X 17.9 X 1.6	1	
35	CP00987	Retaining Ring C-18	1	
36	TP00857	Reducer M16 X PT1/4	1	
37	TA96323	Silencer Sub Ass'y	1 set	
38	TP10005	Nipple PF3/8	1	
39	TB01930	Belt Cover Ass'y	1 set	
47	(TQ02207)	Label - CE Mark	1	
48	(TQ02418)	Fixating Screw 5 X 10	1	
49	TQ02663	Spacer 4.8 X 14.8 X 2.6	1	
50	CP01498	O-Ring	1	

ACCESSORIES

	TP02236	Bushing PT1/4 X NPT1/4	1	
	TP01939	Hex. Wrench Key 4	1	
	TP14797	Hex. Wrench Key 1.5	1	
	TP12438	Belts #60 X 10 (20 pcs/set)	1 set	
	TP12439	Belts #80 X 10 (20 pcs/set)	1 set	
	TP12440	Belts #100 X 10 (20 pcs/set)	1 set	
	TP12441	Belts #120 X 10 (20 pcs/set)	1 set	
	TQ02585	Instruction Manual	1	
	TP14770	Shoe 6	1	
	TA99052	Bracket 6 Ass'y	1	

BELTON B-20C ASSEMBLY AND PARTS LIST



The Part Numbers with () are included in the Ass'y parts written above them.

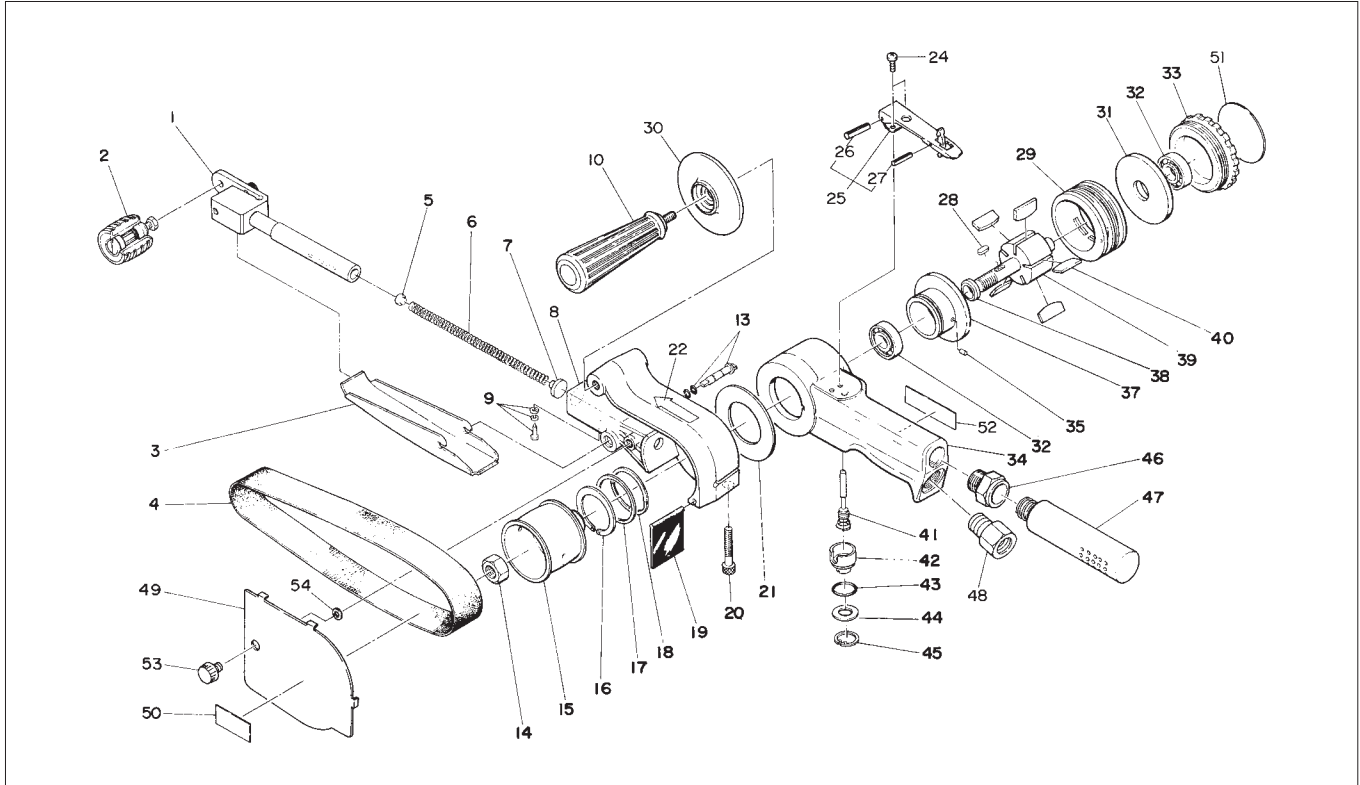
No.	Part No.	Part Name	Q'ty	Price
1	TA9A632	Idle Pulley Bracket B Sub Ass'y	1 set	
2	TA90514	Idle Pulley B Ass'y	1 set	
3	TP16535	Spring 1.2 X 7.8 X 51	1	
4	TA90512	Finger Pad Ass'y	1 set	
5	TA92254	Key Bolt Ass'y	1 set	
6	TP01945	Hex. Bolt 5 X 12	1	
7	TP01936	Belts #60 X 20 (20 pcs/set)	1 set	
8	TP01918	Hex. Nut M10 XP1.25	1	
9	TP01917	Drive Pulley	1	
10	TP01935	Flat Shoe	1	
13	TB01950	Guard Body Sub Ass'y	1 set	
11	(TP01934)	Hex. Bolt 5 X 18	1	
12	(TP16207)	Dust Cover	1	
14	(TP16360)	Label -Rotating Direction	1	
15	(TP16361)	Warning Label	1	
16	TB01793	Throttle Lever Ass'y	1 set	
17	(TP00460)	Spring Pin 3 X 22	1	
18	(TP05498)	Spring Pin 2 X 16	1	
42	TP06290	+ Screw 4 X 8	2	
19	TP01913	Ball Bearing 6000 Z	1	
20	TP01912	Distance Collar	1	
21	TP01911	End Plate B	1	
22	TP00502	Sunk Key 4 X 4 X 9.5	1	
23	TA9A212	Blades (4 pcs/set)	1 set	
24	TP01909	Rotor	1	
25	TP10000	Cylinder	1	
26	TP01907	End Plate A	1	

No.	Part No.	Part Name	Q'ty	Price
27	TP00468	Ball Bearing 608Z	1	
28	TB01941	Cap Ass'y	1 set	
39	(TQ02582)	Name Plate	1	
29	TB01938	Housing Sub Ass'y	1 set	
40	(TQ02578)	Warning Label	1	
30	TP10005	Nipple PF3/8	1	
31	TA96323	Silencer Sub Ass'y	1 set	
32	TA95954	Valve Stem Ass'y	1 set	
33	TP12405	Adjust Valve	1	
34	TP12407	O-Ring S-15	1	
35	TP12406	Spacer 10.5 X 17.9 X 1.6	1	
36	CP00987	Retaining Ring C-18	1	
37	TP00857	Reducer M16 X PT1/4	1	
38	TB01947	Belt Cover Ass'y	1 set	
41	(TQ02207)	Label CE-Mark	1	
43	(TQ02418)	Fixing Screw 5 X 10	1	

ACCESSORIES

	TP01939	Hex. Wrench Key 4	1	
	TP01940	Convex Shoe	1	
	TP02236	Reducer PT1/4 X NPT1/4	1	
	TP01936	Belts #60 X 20 (20 pcs/set)	1 set	
	TP01942	Belts #80 X 20 (20 pcs/set)	1 set	
	TP01943	Belts #100 X 20 (20 pcs/set)	1 set	
	TP01944	Belts #120 X 20 (20 pcs/set)	1 set	
	TQ02585	Instruction Manual	1	
	TB03101	Offset Bracket 20 Ass'y	1	

BELTON B-30B ASSEMBLY AND PARTS LIST



The Part Numbers with () are included in the Ass'y parts written above them.

No.	Part No.	Part Name	Q'ty	Price
1	TA91524	Tension Bar Ass'y	1 set	
2	TA91522	Idle Pulley Ass'y	1 set	
3	TP04052	Flat Shoe	1	
4	TP04084	Belts #60 X 30 (20 pcs/set)	1 set	
5	TP04048	Spring Retainer A	1	
6	TP04047	Tension Spring	1	
7	TP04062	Spring Retainer B	1	
8	TB03184	Guard Body Sub Ass'y	1 set	
22	(TP16360)	Label -Rotating Direction	1	
20	(TP04073)	Hex. Bolt 6 X 35	1	
19	(TP04060)	Dust Cover	1	
9	TA92254	Key Bolt Ass'y	1 set	
10	TA91354	Sub Handle Ass'y	1 set	
13	TA92398	Shoe Holder Ass'y	1	
14	TP04077	U Nut M12 P1.5	1	
15	TP04045	Drive Pulley	1	
16	TP04069	Retaining Ring ISTW-35	1	
17	TP04044	Thrust Washer A 36.2 X 43 X 11	1	
18	TP04072	Waved Washer W-35	1	
21	TP04058	Thrust Washer B 36.2 X 62 X 11	1	
24	TP06290	+ Screw 4 X 8	1	
25	TB01793	Throttle Lever Ass'y	1 set	
26	(TP00460)	Spring Pin 3 X 22	1	
27	(TP05498)	Spring Pin 2 X 16	1	
28	TP00502	Sunk Key 4 X 4 X 9.5	1	
29	TP04031	Cylinder	1	
30	TP16126	Grip Guard	1	
31	TP04035	Upper Bearing Case	1	
32	TP00498	Ball Bearing 6001ZZ	2	

No.	Part No.	Part Name	Q'ty	Price
33	TB03177	Cap Ass'y	1 set	
51	(TQ04082)	Name Plate	1	
34	TB03186	Housing Sub Ass'y	1 set	
52	(TQ04085)	Warning Label	1	
35	TP04061	Spring Pin 3 X 6	1	
37	TP04034	Lower Bearing Case	1	
38	TP04036	Distance Collar	1	
39	TQ06448	Rotor	1	
40	TA9A215	Blades (5 pcs/set)	1 set	
41	TA93925	Valve Stem Ass'y	1 set	
42	TP12405	Adjust Valve	1	
43	TP12407	O-Ring S-15	1	
44	TP12406	Spacer 10.5 X 17.9 X 1.6	1	
45	CP00987	Retaining Ring C-18	1	
46	TP10005	Nipple PF3/8	1	
47	TA96323	Silencer Sub Ass'y	1 set	
48	TP00857	Reducer M16 X PT1/4	1	
49	TB01967	Belt Cover Ass'y	1 set	
50	(TQ02207)	Label CE-Mark	1	
53	(TQ02418)	Fixing Screw 5 X 10	1	
54	(TQ04426)	Nylon Washer	1	

ACCESSORIES

	TP04004	Hex. Wrench Key 5	1	
	TP02236	Reducer PT1/4 X NPT3/8	1	
	TP04084	Belts #60 X 30 (20 pcs/set)	1 set	
	TP04085	Belts #80 X 30 (20 pcs/set)	1 set	
	TP04086	Belts #100 X 30 (20 pcs/set)	1 set	
	TQ02585	Instruction Manual	1	
	TP04083	Convex Shoe	1	
	TB03102	Offset Bracket 30 Ass'y	1 set	