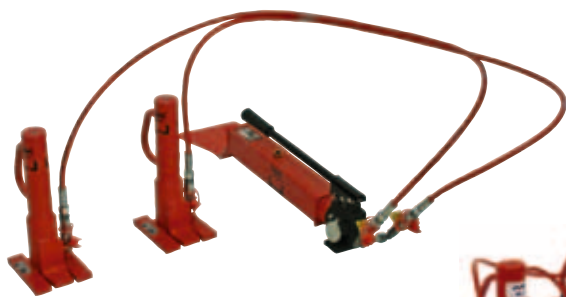


Hydraulic jacks – JHS

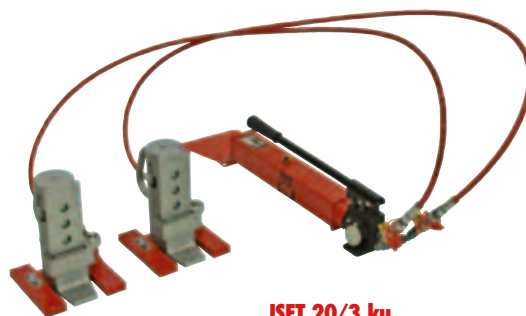
Load capacity up to 20 metric tons



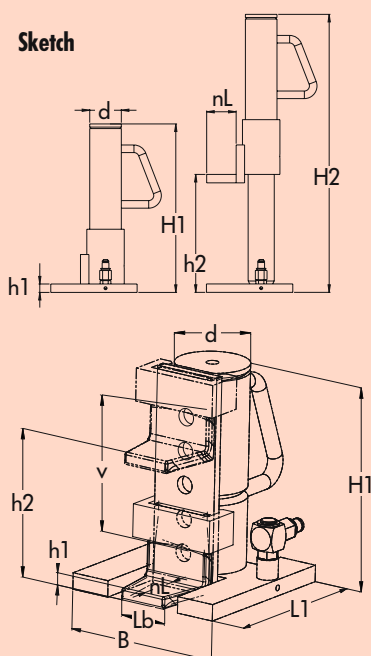
JSET 10/2



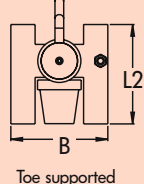
JSET 20/3



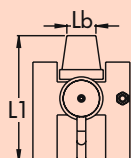
JSET 20/3 ku



Side 180° revolved



Toe supported



Toe freestanding

Advantages in detail



- 180° revolving slide – for use with or without lifting feet.
- High capacity at low weight.
- Separated pump unit, flexible use even in confined spaces, also in horizontal position.
- Swiveling lifting toe on **JHS 10 ku** assures optimal adjustment to the load, along with safe and stable support even in raised position (see picture 2 page 6).

Hydraulic jacks with pump and hoses in one set

Set type	JSET 10/2	JSET 20/3	JSET 20/3 ku
Jack	2 x JHS 5	2 x JHS 10	2 x JHS 10 ku
Hose	2 x JS 2	2 x JS 3	2 x JS 2
Pump	JP 16	JP 26	JP 16
Order number	20 410 200-S	20 420 301-S	20 420 305-S

▶ Please refer to page 10 for hand pumps and hydraulic hoses, for electrical pumps to page 11.

Single hydraulic jacks JHS

Type	Sketch		JHS 5**	JHS 10**	JHS 10 ku
Full load capacity		kg / lbs	5 000 / 11 000	10 000 / 22 000	10 000 / 22 000
Minimum lift toe height	h 1	mm / in	15 / 0.5"	20 / 0.8"	20 / 0.8"
Maximum lift toe height	h 2	mm / in	245 / 9.6"	260 / 10.2"	288 / 11.3"
Lift toe adjustment	V	mm / in			5 x 41 / 1.6"
Top plate height	H 1	mm / in	350 / 13.8"	370 / 14.6"	265 / 10.4"
Maximum top plate height	H 2	mm / in	580 / 22.8"	610 / 24"	373 / 14.7"
Toe width front	Lb	mm / in	45 / 1.8"	60 / 2.4"	60 / 2.4"
Useable toe depth	nL	mm / in	40 / 1.6"	55 / 2.2"	55 / 2.2"
Diameter top plate	d	mm / in	57 / 2.2"	80 / 3.1"	89 / 3.5"
Length toe supported	L2	mm / in	170 / 6.7"	205 / 8.1"	205 / 8.1"
Length toe exposed	L1	mm / in	220 / 8.7"	260 / 10.2"	260 / 10.2"
Width	B	mm / in	145 / 5.7"	200 / 7.9"	200 / 7.9"
Cylinder volumen		L / in ³	0,22 / 13.42"	0,51 / 31.12"	0,21 / 12.82"
Weight		kg / lbs	10 / 22	19 / 42	17 / 38
Order number			01 020 050-O	01 020 101-O	01 020 105-O