

Caster Type

Page

3C BB-Tek® Bi-Brake Casters	2-3
3N Standard Kingpin Casters	4
3NSS Stainless Steel Kingpin Casters	5
3NK Kingpinless Casters with Nylacron™ Wheels	6
3NKSS Kingpinless Casters with Nylacron™ Wheels	7

3C BB-TEK® BRAKE CASTERS US TOP PLATE P63

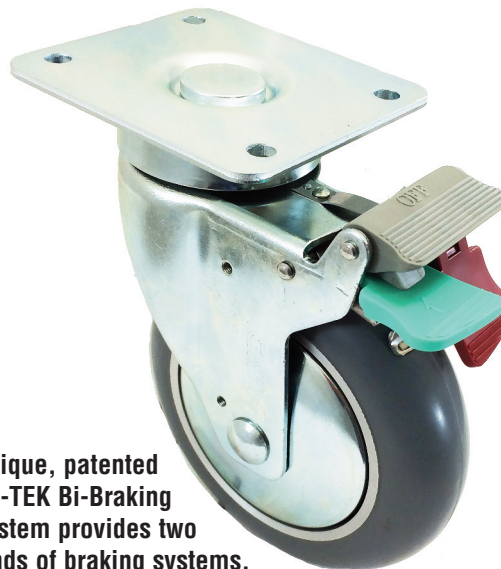
BB-TEK TWO-IN-ONE BI-BRAKE PRESSED STEEL CASTERS

BB-Tek Casters are recommended for medium duty applications on equipment such as portable computers, instruments, test or equipment stations and were designed for frequent portability. Precision ball bearings in both the swivel and wheels, ease of rollability and maneuvering are its main features.

- Swivel can be locked in steering direction, while wheel remains free to roll, allowing straight line tracking
OR
- Both swivel and wheel can be simultaneously locked for no movement.

KEY FEATURE

- Swivel Head and Wheel are fitted with precision ball bearings to ensure maximum swiveling, ease and rollability with maximum quietness.

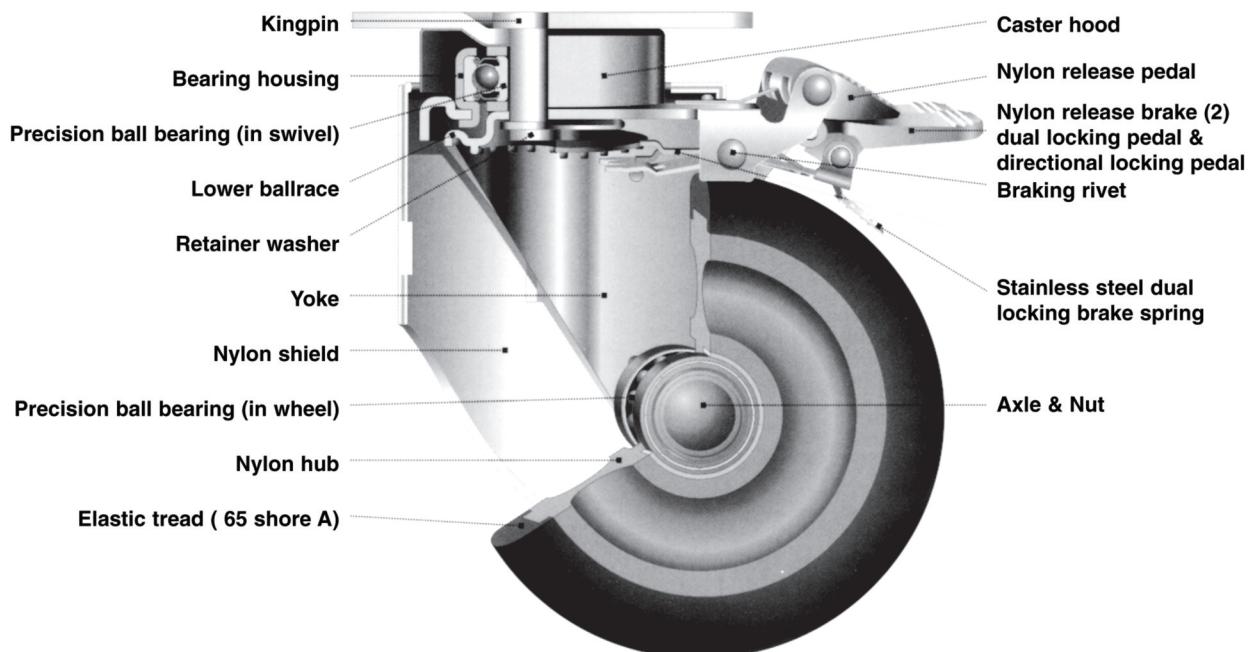


Unique, patented BB-TEK Bi-Braking System provides two kinds of braking systems, Dual Locking and/or Directional Locking Brakes, in same caster.

Green Pedal Directional Lock: Locks the swivel in one direction but wheel remains free for tracking straight line.

Red Pedal Total Lock: Locks the wheel & the swivel at the same time.

Gray Pedal: Releases the total lock and directional lock.



3C BB-TEK® BRAKE CASTERS US TOP PLATE P63

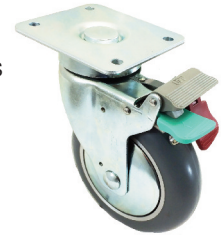
Plate Mounting Options

25.4 mm = 1 inch

Mtg. Code	Top Plate Size (mm)	Bolt Hole Spacing (mm)	Mounting Bolt Size (mm)
P1	95 x 70	75 x 45/72 x 52	9
P2	77 x 67	61.5 x 52/56 x 45	8.5
P3	93 x 60	76.5/73 x 45	8
P6	114 x 101.6	93 x 67	9
P7	114 x 101.6	76 x 76/92 x 67	9.5
P8	100.3 x 100	80 x 80	10.5
P63	4" x 4-1/2"	2-5/8" x 3-5/8" to 3" x 3"	3/8"

P1, P2 and P3 plates are available for 125 mm models. P6, P7 and P8 plates are available for 150 mm and 200 mm models.
To order optional plate sizes change code.

Example: **3CBB6TTP3**.



Wheel Diameter (mm)	Tread Width (mm)	Wheel Type	Wheel Bearing	Capacity (lbs)	Swivel Top Plate Bi-Brake Model Number	Free Swivel Model Number	Load Height (mm)	Swivel Radius (mm)
125	32	Thermoplastic Tread	Precision Ball	220	3CBB5TTP63	3C5TTSP63	161.0	78.0
125	32	Elastic Rubber Tread	Precision Ball	220	3CBB5ERP63	3C5ERSP63	161.0	78.0
125	32	Gray Polyurethane Tread	Precision Ball	220	3CBB5GPP63	3C5GPPSP63	161.0	78.0
150	40	Thermoplastic Tread	Precision Ball	330	3CBB6TTP63	3C6TTSP63	196.5	92.0
150	40	Elastic Rubber Tread	Precision Ball	330	3CBB6ERP63	3C6ERSP63	196.5	92.0
200	40	Elastic Rubber Tread	Precision Ball	330	3CBB8ERP63	3C8ERSP63	250.5	98.0

Other type wheels are available including Nylacron™ and Kryptonic™ wheels.

Available in swivel only.

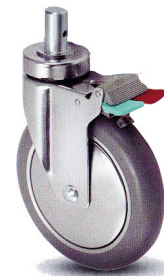
Round Stem Mounting Options

25.4 mm = 1 inch

Mtg. Code	Stem Diameter (mm)	Stem Length (mm)	Hole to Base (mm)	Mounting Hole (mm)
R8	22	45	19	M8 x 1.25
R9	28	45	19	M8 x 1.25
R16	25.6	45	19	M8 x 1.25

To order optional stem sizes change stem code.

Example: **3CBB6TTR16**.



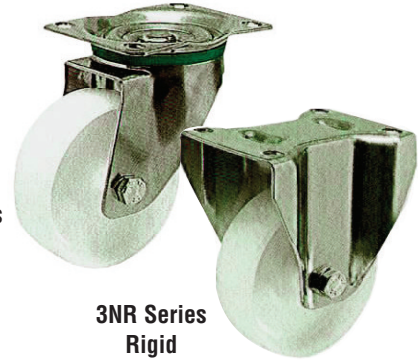
Wheel Diameter (mm)	Tread Width (mm)	Wheel Type	Wheel Bearing	Capacity (lbs)	Round Stem Bi-Brake Model Number	Free Swivel Model Number	Load Height (mm)	Swivel Radius (mm)
125	32	Thermoplastic Tread	Precision Ball	220	3CBB5TTRP63	3C5TTSRP63	161.0	78.0
125	32	Elastic Rubber Tread	Precision Ball	220	3CBB5ERRP63	3C5ERSRP63	161.0	78.0
125	32	Gray Polyurethane Tread	Precision Ball	220	3CBB5GPRP63	3C5GSPRP63	161.0	78.0
150	40	Thermoplastic Tread	Precision Ball	330	3CBB6TTRP63	3C6TTSRP63	196.5	92.0
150	40	Elastic Rubber Tread	Precision Ball	330	3CBB6ERRP63	3C6ERSRP63	196.5	92.0
200	40	Elastic Rubber Tread	Precision Ball	330	3CBB8ERRP63	3C8ERSRP63	250.5	98.0

Specify stem size. ie suffix: R16

Other type wheels are available including Nylacron™ Wheels. See wheel section.

**AVAILABLE IN
US TOP PLATE SIZES**
4" x 4-1/2"
Bolt Hole Spacing
2-5/8" x 3-5/8"
to 3" x 3"
Mounting Bolt Size
3/8"

3NR Series Swivel



3NR Series Rigid

3N Standard Swivel Series with NY plain bore wheels

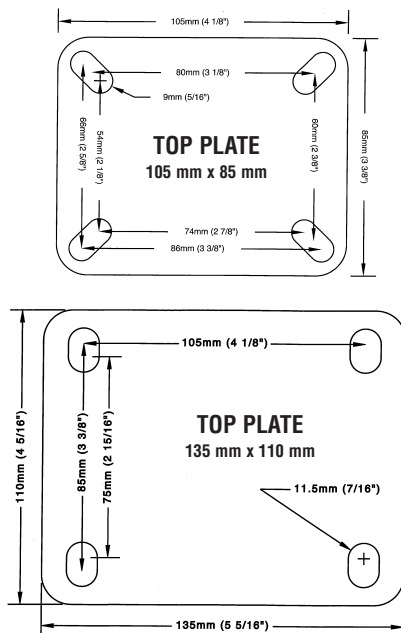
Swivel Part Number	Diameter (mm)	Width (mm)	OAH (mm)	Top Plate (mm)	Bolt Spacing (mm)	Bolt Size (mm)	Offset (mm)	Load Cap. (lbs)
3N080/35/NY*	80	35	108	105 x 85	80 x 60	9	38	330
3N100/34/NY*	100	34	128	105 x 85	80 x 60	9	38	330
3N125/40/NY*	125	40	155	105 x 85	80 x 60	9	45	330
3N125/40/NY*	125	40	161	135 x 110	105 x 80	11	55	660
3N150/42/NY*	150	42	194	135 x 110	105 x 80	11	55	880
3N160/40/NY*	160	40	197	135 x 110	105 x 80	11	55	880
3N200/50/NY*	200	50	237	135 x 110	105 x 80	11	55	880

3N Standard Rigid Series with NY plain bore wheels

Rigid Part Number	Diameter (mm)	Width (mm)	OAH (mm)	Top Plate (mm)	Bolt Spacing (mm)	Bolt Size (mm)	Offset (mm)	Load Cap. (lbs)
3N080/30/NY*	80	30	108	105 x 85	80 x 60	9	38	330
3N100/34/NY*	100	34	128	105 x 85	80 x 60	9	38	330
3N125/40/NY*	125	40	155	105 x 85	80 x 60	9	45	330
3N125/40/NY*	125	40	161	135 x 110	105 x 80	11	55	660
3N150/42/NY*	150	42	194	135 x 110	105 x 80	11	55	880
3N160/40/NY*	160	40	197	135 x 110	105 x 80	11	55	880
3N200/50/NY*	200	50	237	135 x 110	105 x 80	11	55	880

*Nylacron™ & Kryptonic™ Wheels are available with precision ball bearings. Specify BB. For other wheels, see wheel section.

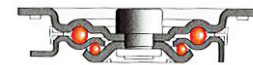
1 kg = 2.2 lbs
 25.4 mm = 1 inch



Swivel total lock brake
 Specify: ...add TL



Toe guard
 Specify: ...add TO

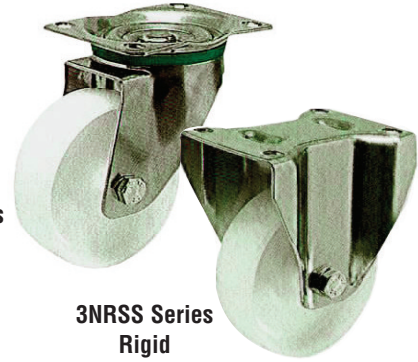


Kingpin swivel caster
 cross section a load capacity
 up to 300 kg.

Swivel section made of pressed steel, zinc chromed with double ball bearings, dust and splash proof, riveted kingpin and grease zerk. Total locking device on the trailing side of the housing, blocks rolling and swivel motion simultaneously.

3NRSS SERIES EURO STAINLESS STEEL KINGPIN CASTERS

**AVAILABLE IN
US TOP PLATE SIZES**
4" x 4-1/2"
Bolt Hole Spacing
2-5/8" x 3-5/8"
to 3" x 3"
Mounting Bolt Size
3/8"



3NRSS Series Swivel

3NRSS Series Rigid

NR Stainless Swivel Series with NY plain bore wheels

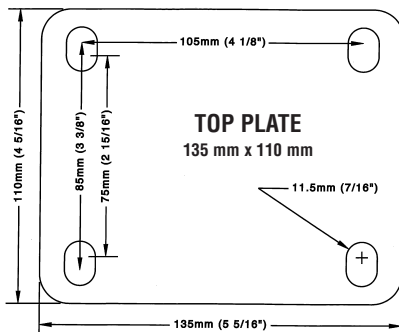
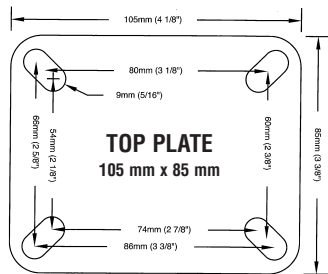
Swivel Part Number	Diameter (mm)	Width (mm)	OAH (mm)	Top Plate (mm)	Bolt Spacing (mm)	Bolt Size (mm)	Offset (mm)	Load Cap. (lbs)
3NSS080/35/NY*	80	35	108	105 x 85	80 x 60	9	38	330
3NSS100/34/NY*	100	34	128	105 x 85	80 x 60	9	38	330
3NSS125/40/NY*	125	40	155	105 x 85	80 x 60	9	45	330
3NSS125/40/NY*	125	40	161	135 x 110	105 x 80	11	55	660
3NSS150/42/NY*	150	42	194	135 x 110	105 x 80	11	55	880
3NSS160/40/NY*	160	40	197	135 x 110	105 x 80	11	55	880
3NSS200/50/NY*	200	50	237	135 x 110	105 x 80	11	55	880

NR Stainless Rigid Series with NY plain bore wheels

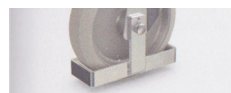
Rigid Part Number	Diameter (mm)	Width (mm)	OAH (mm)	Top Plate (mm)	Bolt Spacing (mm)	Bolt Size (mm)	Offset (mm)	Load Cap. (lbs)
3NSS080/30/NY*	80	30	108	105 x 85	80 x 60	9	38	330
3NSS100/34/NY*	100	34	128	105 x 85	80 x 60	9	38	330
3NSS125/40/NY*	125	40	155	105 x 85	80 x 60	9	45	330
3NSS125/40/NY*	125	40	161	135 x 110	105 x 80	11	55	660
3NSS150/42/NY*	150	42	194	135 x 110	105 x 80	11	55	880
3NSS160/40/NY*	160	40	197	135 x 110	105 x 80	11	55	880
3NSS200/50/NY*	200	50	237	135 x 110	105 x 80	11	55	880

*Nylacron™ & Kryptonic™ Wheels are available with precision ball bearings. Specify BB. For other wheels, see wheel section.

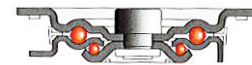
1 kg = 2.2 lbs
 25.4 mm = 1 inch



Swivel total lock brake
 Specify: ...add TL



Toe guard
 Specify: ...add TO

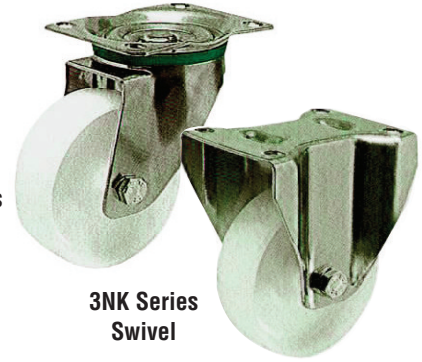


Kingpin swivel caster
 cross section a load capacity
 up to 300 kg.

Swivel section made of pressed steel, zinc chromed with double ball bearings, dust and splash proof, riveted kingpin and grease zerk. Total locking device on the trailing side of the housing, blocks rolling and swivel motion simultaneously.

3

3NK SERIES EURO KINGPINLESS CASTERS NYLACRON™ WHEELS



3NK Series Rigid

3NK Series Swivel

Model Number	Wheel Diameter (mm)	Wheel Width (mm)	Overall Height (mm)	Top Plate Size (mm)	Bolt Hole Spacing (mm)	Bolt Hole Diameter (mm)	Offset (mm)	Load Capacity (kg)
3NK/100/40/5NYMC	100	40	140	105 x 85	80 x 60	9	45	160
3NK/100/40/5NYMC	100	40	148	135 x 110	105 x 80	11	50	160
3NK/125/40/5NYMC	125	40	165	105 x 85	80 x 60	9	45	225
3NK/125/50/5NYMC	125	50	178	135 x 110	105 x 80	11	50	225
3NK/160/50/5NYMC	160	50	210	135 x 110	105 x 80	11	50	300
3NK/200/50/5NYMC	200	50	250	135 x 110	105 x 80	11	55	400
3NK/300/60/5NYMC	300	60	347	200 x 160	160 x 120	15	73	700

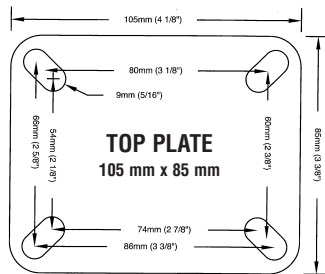
Swivel Caster
NYLACRON™ NY/MC wheel
Precision ball bearings.

Model Number	Wheel Diameter (mm)	Wheel Width (mm)	Overall Height (mm)	Top Plate Size (mm)	Bolt Hole Spacing (mm)	Bolt Hole Diameter (mm)	Load Capacity (kg)
3NKR/100/40/5NYMC	100	40	140	105 x 85	80 x 60	9	160
3NKR/100/40/5NYMC	100	40	148	135 x 110	105 x 80	11	160
3NKR/125/40/5NYMC	125	40	165	105 x 85	80 x 60	9	225
3NKR/125/50/5NYMC	125	50	178	135 x 110	105 x 80	11	225
3NKR/160/50/5NYMC	160	50	210	135 x 110	105 x 80	11	300
3NKR/200/50/5NYMC	200	50	250	135 x 110	105 x 80	11	400
3NKR/300/60/5NYMC	300	60	347	200 x 160	160 x 120	15	700

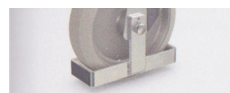
Rigid Caster
NYLACRON™ NY/MC wheel
Precision ball bearings.

*Nylacron™ Wheels are available with precision ball bearings.
Specify BB. For other wheels, see wheel section.

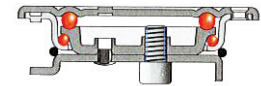
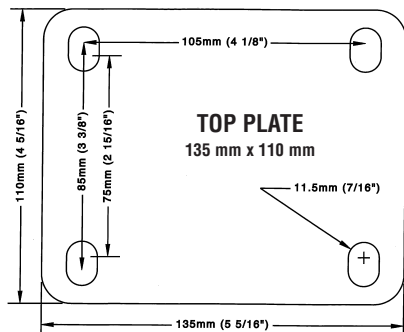
1 kg = 2.2 lbs
25.4 mm = 1 inch



Swivel total lock brake
Specify: add TL



Toe guard
Specify: ... add TO

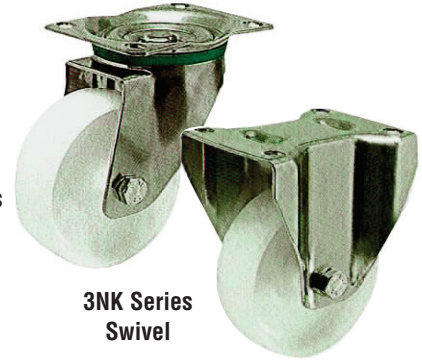


Kingpinless swivel caster
cross section a load capacity
up to 700 kg.

Swivel section made of pressed steel, zinc chromed with double ball bearings, dust and splash proof, riveted kingpin and grease zerk. Total locking device on the trailing side of the housing, blocks rolling and swivel motion simultaneously.

3NKSS SERIES EURO STAINLESS STEEL KINGPINLESS CASTERS NYLACRON™ WHEELS

3NK Series Rigid



3NK Series Swivel

Model Number	Wheel Diameter (mm)	Wheel Width (mm)	Overall Height (mm)	Top Plate Size (mm)	Bolt Hole Spacing (mm)	Bolt Hole Diameter (mm)	Offset (mm)	Load Capacity (kg)
3NKSS/100/40/5NYMC	100	40	140	105 x 85	80 x 60	9	45	160
3NKSS/100/40/5NYMC	100	40	148	135 x 110	105 x 80	11	50	160
3NKSS/125/40/5NYMC	125	40	165	105 x 85	80 x 60	9	45	225
3NKSS/125/50/5NYMC	125	50	178	135 x 110	105 x 80	11	50	225
3NKSS/160/50/5NYMC	160	50	210	135 x 110	105 x 80	11	50	300
3NKSS/200/50/5NYMC	200	50	250	135 x 110	105 x 80	11	55	400
3NKSS/300/60/5NYMC	300	60	347	200 x 160	160 x 120	15	73	700

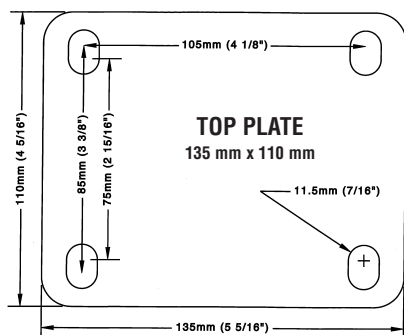
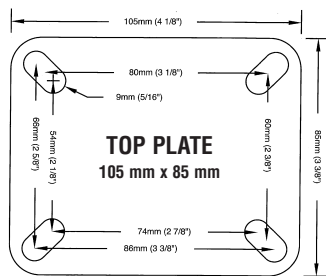
Swivel Caster
NYLACRON™ NY/MC wheel
Precision ball bearings.

Model Number	Wheel Diameter (mm)	Wheel Width (mm)	Overall Height (mm)	Top Plate Size (mm)	Bolt Hole Spacing (mm)	Bolt Hole Diameter (mm)	Load Capacity (kg)
3NKRSS/100/40/5NYMC	100	40	140	105 x 85	80 x 60	9	160
3NKRSS/100/40/5NYMC	100	40	148	135 x 110	105 x 80	11	160
3NKRSS/125/40/5NYMC	125	40	165	105 x 85	80 x 60	9	225
3NKRSS/125/50/5NYMC	125	50	178	135 x 110	105 x 80	11	225
3NKRSS/160/50/5NYMC	160	50	210	135 x 110	105 x 80	11	300
3NKRSS/200/50/5NYMC	200	50	250	135 x 110	105 x 80	11	400
3NKRSS/300/60/5NYMC	300	60	347	200 x 160	160 x 120	15	700

Rigid Caster
NYLACRON™ NY/MC wheel
Precision ball bearings.

*Nylacron™ Wheels are available with precision ball bearings.
Specify BB. For other wheels, see wheel section.

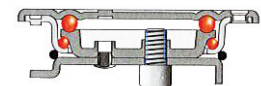
1 kg = 2.2 lbs
25.4 mm = 1 inch



Swivel total lock brake
Specify: add TL



Toe guard
Specify: ... add TO



Kingpinless swivel caster
cross section a load capacity
up to 700 kg.

Swivel section made of pressed steel, zinc chromed with double ball bearings, dust and splash proof, riveted kingpin and grease zerk. Total locking device on the trailing side of the housing, blocks rolling and swivel motion simultaneously.