

INTRODUCTION **Page #**

- Standard Wheel Selection Guide2
- Keyways for Iron Core Wheels3

U.S. WHEELS **Pages 4-92**

U.S. Metal Wheels Index4

- Introduction to U.S. Wheels5-11
- Forged Steel (FS) (FS/VG).....12-13
- Ductile Iron (DU/FT) (DU/CT) (DU/VG).....14
- Cast Iron
(CA) (CA/LB) (CA/HT) (CA/FL) (CA/FD) (CA/VG).....15-18
- Stainless Steel (SS).....19

U.S. Plastic Wheels Index20

- Nylacron™ MD & Nylacron™ MC Monocast
(NY/MD) (NY/MC) (NY/NL) (NY/ND) (NY/MC/VG).....21-32
- Solid Elastomer (SE) (EX/SE) (EXP/SE)33-37
- Nylon (NN/GF) (NN/GF/NR) (HE)38-39
- Kryptonite™ (KR) (KR/HT) (KR/ULHT)40
- Phenolic / Texite (TM) (TH) (TL) (TS) (TR).....41-48
- Polypropylene (PB) (PW)49
- Retort (RT)50

U.S. Premium Urethane / Polyurethane Wheels Index.....51

- Premium Urethane / Cast Iron Core
(UR9/CA/HD) (UR9/CA)52-62
- Premium Urethane / Iron & Steel Cores
(URQ9/CA/HD) (UR9/FS) (UR9/CA)63-64
- Premium Urethane / Aluminum Core
(UR9/AL) (UR9/AL/DT)65-66
- Premium Urethane / Swivel-Eaz™ (URD/SWE)67
- Polyurethane / Cast Iron Core
(PY9/TT/CA) (PH9/CA) (PY9/CA)68-71
- Polyurethane / Aluminum Core
(PY9/AL) (PY6/AL) (PY9/AL/DT) (PY6/VG)72-73
- Polyurethane / Polypropylene Core (PY/PB)74
- Polyurethane Shopping Cart Wheels (PY/SC)75

U.S. WHEELS **(continued)**

U.S. Rubber Wheels Index76

- Moldon Rubber / Cast Iron Core
(MR/CA) (MR/HD/CA)77-84
- Moldon Rubber / Aluminum Core
(HMR/AL) (MR/AL)85
- Extra Soft Rubber (XSR/PB/CT) (XSR/PB/DT)86-87
- Advanced Rubber (AN/PB/FT) (AN/PB/RT)88-89
- Pneumatic (SF) (SF/HT) (SN/HT) (NF)90-92

EURO WHEELS **Pages 92-115**

• Introduction to EURO Wheels93-94

EURO Wheels Index95

- Solid Steel (STL) (STL/FL) (STL/VG)96-98
- Cast Iron (CA) (CA/FL)99-100
- Nylacron™ (NY/MC) (NY/MC/FL)101-102
- Nylon (NN/MHD) (NN/HD) (PY/NN) (NA/NN)103-106
- Premium Urethane / Premium Urethane Guide Wheels
(UB/CA) (UBS/AL) (UX/STL) (UX/AL) (UXS/AL) (CGW/UX)
(CGW/UX/STL)107-113
- Rubber (ER/STL) (ER/NN) (ER/AL)114-116

RÄDER-VOGEL® WHEELS **Pages 116-157**

• Introduction to RÄDER-VOGEL® Wheels117-124

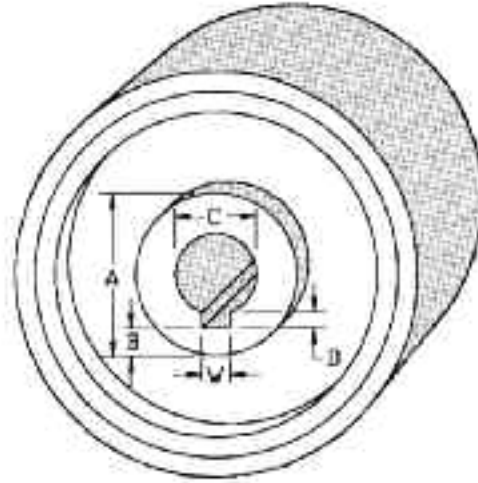
RÄDER-VOGEL® Wheels Index125

- VULKOLLAN®126-131
- PEVOSOFT® & PEVOPUR®132-137
- PE•VO•LON®138-140
- PEVOLASTIC® / PEVOTHAN®141-144
- Drive Wheels145-147
- Guide Rollers / Guide Wheels148-150
- Pallet Rollers151-154
- Press-On Tires155-158
- VULKOLLAN® Load Wheels / Drive Wheels for Industrial Trucks (200-406mm) are available. **Call Acorn™ for Information**

FLOOR MATERIAL	Full Pneumatic	Semi Pneumatic	Moldon Rubber*	X-Tra Soft Rubber	Poly-urethane	Poly-propylene	Phenolic	Maxim	Cast Iron	Forged Steel
Concrete	•	•	•	•	•	•	•	•	•	•
Asphalt	•	•	•	•	•	•	•	•		
Steel	•	•	•	•	•	•	•	•	•	•
Wood Block	•	•	•	•	•	•	•	•	•	•
Linoleum	•	•	•	•	•	•	•	•		
Wood	•	•	•	•	•			•		
Tile/Ceramic	•	•	•	•	•			•		
FLOOR CONDITIONS	Full Pneumatic	Semi Pneumatic	Moldon Rubber	X-Tra Soft Rubber	Poly-urethane	Poly-propylene	Phenolic	Maxim	Cast Iron	Forged Steel
Smooth	•	•	•	•	•	•	•	•	•	•
Rough	•	•	•	•	•	•			•	•
Weak Chemicals			•	•	•	•	•	•	•	•
Moisture	•	•	•	•	•	•		•	•	•
Strong Chemicals					•	•	•	•	•	•
Metal Chips			•	•	•	•	•	•	•	•
Dock Plate	•	•	•	•	•			•		
Smooth/Rough Combinations	•	•	•	•	•			•		

	CAPACITY (LBS)	SIZE RANGE (IN)	FLOOR PROTECTION	ROLLABILITY	CHEMICAL RESISTANCE*	TEMP RANGE (DEG. F)
SOFT WHEELS						
SF Pneumatic	320-3630	8-25	High	Fair	Fair	-40 to +200
SN Semi-Pneumatic	200-540	6-12	High	Fair	Fair	-40 to +200
OA PressOn Rubber	1270-10190	8.5-22	High	Fair	Fair	-40 to +200
MR Moldon Rubber	140-2800	3.25-20	High	Fair	Good	-40 to +200
RR Soft Rubber	125-360	3-8	High	Fair	Good	-40 to +200
XS Extra Soft Rubber	150-675	3-8	High	Good	Good	-45 to +180
MEDIUM WHEELS						
OG PressOn Polyurethane	1490-10800	5-18	Medium	Good	Good	-40 to +200
XI Solid Polyurethane	1000-1200	4-8	Medium	Best	Good	-30 to +200
PY Poly / Iron	420-8400	3.25-18	Medium	Good	Good	-40 to +200
XA Poly / Polypropylene	600-1000	4-8	Medium	Good	Best	-40 to +200
XB Poly / Polypropylene	300-440	3-5	Medium	Good	Best	-40 to +200
PB Polypropylene	250-1000	3-8	Medium	Good	Best	-40 to +230
HARD WHEELS						
TM Phenolic	300-8000	3-18	Medium/Low	Best	Fair	-65 to +250
NG Maxim	800-1200	4-8	Medium/Low	Best	Best	-40 to +350
CA Cast Iron	300-8000	3-18	Low	Best	Fair	-40 to +800
FM Ductile Iron	6000	12	Low	Best	Fair	-40 to +800
FS Forged Steel	1400-20000	4-10	Low	Best	Fair	-40 to +800

*Consult Acorn™ for specific chemical resistance.



SHAFT DIAMETER (IN INCHES)	KEYWAYS	
	WIDTH	DEPTH
5/8" to 7/8"	3/16"	3/32"
15/16" to 1-1/4"	1/4"	1/8"
1-5/16" to 1-3/4"	3/8"	3/16"
1-13/16" to 2-1/4"	1/2"	1/4"
2-5/16" to 2-3/4"	5/8"	5-16"

Keyways can be machined in most wheel sizes. The wheel hub diameter (A) must be large enough to allow 1/4" of metal between the outside diameter and the bottom of the keyway (B). Because of the extra stress involved with keyed wheels, capacity ratings should be reduced by 50% and our normal warranty does not apply. Special smaller bores (C) are available on some sizes to accommodate smaller shaft sizes. When ordering, please specify shaft size (C) as well as the width (W) and depth (D) of the desired keyway. The chart above shows the standard keyway dimension in relation to the shaft diameter.

Note:

Set screws are also available. Unless otherwise specified, if one set screw is desired it will be placed over the keyway; if two, the second will be placed at 90°.

METAL WHEELS	PAGE #
Introduction to U.S. Wheels	5-11
Forged Steel	12-13
Ductile Iron	14
Cast Iron	15-18
Stainless Steel	19

Visit our Web site for new products
www.acornindprod.com



**FORGED STEEL
(FS)**



**FORGED STEEL / V-GROOVE
(FS/VG)**



**DUCTILE IRON / FLAT TREAD
(DU/FT)**



**DUCTILE IRON / FULL RADIUS
(DU/CT)**



**DUCTILE IRON / V-GROOVE
(DU/VG)**



**CAST IRON
(CA)**



**CAST IRON / SINGLE FLANGED
(CA/FL)**



**CAST IRON / V-GROOVE
(CA/VG)**



**STAINLESS STEEL
(SS)**

WHEEL SELECTION CRITERIA

Choosing the type of wheel that best suits your application is an important requirement. Each wheel type may have characteristics that make it excellent for one job but unworkable for another. This chart provides general information you may find useful in choosing a wheel. If further guidance is required, please consult the factory.

Other factors to consider in choosing a wheel type include:

- **Type of bearings** can have a major impact on rollability, durability, maintenance schedules, and capacity.
- **Floor conditions:** The presence of obstacles, debris, oil and/or chemicals can have a significant impact on the life and performance of a wheel. A general rule is that softer treads are better for obstacle laden floors, floor protection and quiet operation. Harder treads are best for rollability on smooth floors but offer less floor protection and cushioning.
- **Maintenance:** The expectation that wheels will or will not be properly maintained is another factor in choosing wheels/bearings.
- **Manual vs Power Tow:** Generally, power tow requires durability and quiet operation, whereas manual operation requires rollability and ease of swiveling.
- **Properly matching wheels to specific applications can involve factors too numerous to list completely.**
Please consult Acorn™ for further information.

WHEEL SELECTION GUIDE

Wheel Type	Ease of Rolling	Quiet Operation	Floor Protection	Impact Resistance	Abrasion Resistance	Temperature Range
Urethane on Iron	Good	Good	Excellent	Good	Excellent	0° to 180°
Urethane on Heavy Duty Iron	Fair	Excellent	Excellent	Excellent	Excellent	0° to 180°
Urethane on Forged Steel	Fair	Excellent	Excellent	Excellent	Excellent	0° to 180°
Soft Urethane on Iron	Good	Excellent	Excellent	Excellent	Excellent	0° to 180°
Urethane on Aluminum	Good	Good	Excellent	Good	Excellent	0° to 180°
Rubber on Iron, Standard	Fair	Excellent	Excellent	Good	Fair	-70° to 160°
Rubber on Iron, Extra Hard	Good	Good	Excellent	Good	Fair	-40° to 200°
Rubber on Iron, Neoprene	Fair	Excellent	Excellent	Good	Fair	-60° to 200°
Rubber on Iron, Low Profile	Good	Good	Excellent	Fair	Fair	-70° to 160°
Semi Steel	Excellent	Poor	Poor	Fair	Excellent	-50° to 600°
Forged Steel	Excellent	Poor	Poor	Excellent	Excellent	-50° to 600°
Solid Premium Urethane	Excellent	Fair	Good	Excellent	Excellent	0° to 180°
Phenolic (Texite)	Excellent	Fair	Fair	Good	Good	-50° to 260°

URETHANE WHEEL FEATURES

Wheel Features Include:

Liquid Casting. Each premium urethane wheel is made from high grade liquid premium urethane that is chemically activated, and then set into form with heat.

Chemical Bonding. Unmatched in providing excellent adhesion of premium urethane to the wheel center. Mechanical bonds generally associated with injection molding tend to come loose around the core, creating a variety of problems.

Casting preparation is the key to providing the crucial bond. Exact procedures produce a bond that is well beyond industry standards.

Solid web cast iron centers provide greater strength and easier cleaning, and have a minimum tensile strength of 30,000 psi.

ALL WHEELS ARE AVAILABLE IN STANDARD: 70A, 80A, 95A, 70D

Unique crown tread design has no parting line, thereby improving appearance and providing a smoother ride with better concentricity. The crown tread is supplied in most sizes, 12x3 and smaller; for specific models please consult Acorn™.

Urethane Compound Colors. Another unique feature of our ability to produce premium urethane wheels in a variety of colors. Colors commonly available include **RED**, **BLUE**, and **GREEN** with green being our standard color and the most readily available from stock. Other colors are available; please consult Acorn™.



Polyurethane on Iron

A cast iron center with a “liquid cast,” chemically bonded tread. Most centers have solid web design for maximum strength and easy cleaning. 95A hardness is standard.

CAPACITY RATINGS

Load capacities shown throughout the catalog are to be used as guidelines and may differ depending on the application and type of performance desired. Our capacities are based on intermittent use at speeds not greater than 3 mph. With treaded wheels, increasing the speed and/or duty cycle reduces the capacity. Many other factors can negatively influence the life of a wheel, such as obstacles, bearing lubrication and environmental conditions. Greater capacity (or other special requirements) can be achieved by modifying the tread type, hardness or thickness. Consult Acorn™ for further information.



Premium Urethane on Heavy Duty Iron

All castings have a 1/2” or greater cross-section throughout. Designed to withstand abusive or especially demanding applications.



Premium Urethane on Forged Steel

Extra thick premium urethane is chemically bonded to high capacity, solid web forged steel centers to provide an extremely heavy-duty combination.



Soft Premium Urethane on Iron

Super resilient, easy rolling, debris and chip resistant, quieter riding premium urethane on iron wheel. This slightly softer tread is a real problem solver. Available in all sizes.



Premium Urethane on Aluminum

“Liquid cast” premium urethane chemically bonded to aluminum centers. All the features standard in poly on iron but with light weight aluminum centers.



Premium Urethane on Iron with Precision Ball Bearings

Durable, low maintenance, easy rolling wheels help reduce workplace injuries.

URETHANE WHEELS

Below are several examples of our standard product line. Virtually any configuration or combination of tread type and center can be manufactured. Please consult the factory with your needs.

URETHANE TREADS WITH PRECISION BALL BEARINGS

95A Standard

- Most versatile for general use
- Extremely durable
- High load bearing capacity

85A Soft

- Debris resistant
- Excellent rollability
- Quieter with more cushioning

70D Extra Hard

- High performance premium poly
- Best rollability
- Greatest load bearing
- Resists flatspotting

95A High Performance

- For severe duty cycle applications
- Improved rollability

*Typical Physical Properties of Premium Urethane Wheels

Hardness ¹	85A	95A	70D
Ultimate Tensile (p.s.i.) ²	6240	7400	7000
Elongation (%) ³	570	430	250
Compression 10% (p.s.i.) ⁴	280	770	2600
Bond Strength (p.l.i.) ⁵	350	350	350

*This chart does not include all available compounds. Please consult Acorn™ for more information, advising which characteristics are most important for your specific application.

¹**Hardness:** Refers to a test instrument reading of premium urethane hardness, with letters A and D denoting the scale being used (D readings indicate higher hardness). For perspective, automobile tire rubber is usually in the 60-65 Shore A range.

²**Ultimate Tensile:** The pounds of pull at which a stretched specimen breaks. Indicative of the compound's "toughness."

³**Elongation:** The percentage of elongation at the point the stretched specimen breaks. Indicative of compound "elasticity."

⁴**Compression:** The pounds of compressive force required to compress a 1/2" thick x 1" square specimen 10%. Indicative of load bearing capacity.

⁵**Bond Strength:** The pounds of steady pull on a 1" wide flap of tire required to separate the tire from a metal center at the bond line. Indicative of premium urethane-to-metal bond strength.



FLAT TREAD
1" roller bearing



FLAT TREAD
3/4" roller bearing



CROWN TREAD
3/4" roller bearing



CROWN TREAD
no bearing, 1-15/16" bore



CROWN TREAD
1" roller bearing w/spanner



FLAT TREAD
1-1/4" tapered roller bearings



FLAT TREAD
1-1/4" roller bearing



FLAT TREAD
1-1/4" tapered roller bearings



FLAT TREAD
3/4" tapered roller bearings



CROWN TREAD
3/4" tapered roller bearings



CROWN TREAD
3/4" tapered roller bearings

SPECIAL APPLICATION WHEELS



We have always been an innovative leader in designing special rubber and premium urethane tired industrial wheels. Although our wide selection of standard wheels satisfies most applications, many industries require specialized wheels.

The information on this page provides summarized information on some of the problem-solving characteristics that can be provided with specialized treads and/or centers. Please consult Acorn™ for more detailed information.

Wheel Options

- Foundry pattern design and fabrication
- Custom mold design and fabrication
- Special wheel sizes
- Special hub lengths
- Special bores and keyways
- Special rubber and urethane treads
- **Thinner Treads:** In some high speed applications thinner treads will provide greater capacities.
- **Thicker Treads:** Increasing tread thickness will increase capacity by reducing tread stress. Thicker treads can be detrimental in high speed applications.
- **Concentricity:** Greater concentricity and T.I.R. than standard can be achieved.

Special Application Wheels

Extra Hard: Harder treads generally improve rollability and increase load bearing capacity. Available in rubber and urethane on all sizes.

Profile: Any tread profile or size can be molded (if quantity warrants), or machined after molding.

Extra Soft: Extra soft treads are needed for cushioned ride and/or greater grip.

V-Groove: Any size or configuration can be made into a V-groove wheel.

UV Resistant: Ultraviolet light is destructive to premium urethanes. We offer urethane with special inhibitors which give much greater life to UV-exposed wheels.

Debris Resistant: Special softer tread is available in all sizes and is remarkably resistant to picking up chips and debris.

Wet Applications: Urethanes specifically designed for wet applications including outdoors, mining and underwater.

Color: Three standard urethane colors in red, blue and green. Generally, any color is available on special order.

Hot Environments: Specialized rubber tread has a maximum working temperature of 300°F. Also, urethanes are available that are more suitable for somewhat higher temperatures than the standard 180° maximum.

Rollability: Tread material has a very significant impact on rollability of a wheel. We offer several options with enhanced characteristics.

Laundry Equipment: Urethane specifically designed for the hot, wet, abusive conditions found in industrial laundry environments. Retread services available.

Non-Marking: All urethanes, regardless of color, are non-marking. Grey non-marking rubber is also available in all rubber sizes.

Low-Temperature: Very cold environments require special urethanes that do not become brittle. Call factory for details.

Encapsulated: Some extreme environments require encapsulating entire wheels with urethane. This process gives the rigidity of poly on iron but with solid poly protection.

Special Centers

Pattern Shop: We have the capability to design and fabricate any foundry pattern for a casting not currently available in our extensive inventory.

Stainless Steel: Stainless is available and is commonly used in applications where rust or corrosion is a factor.

Steel/Aluminum Billet: On special short runs steel or aluminum billets are used to manufacture centers.

Phenolic: Urethane bonded to phenolic can be a low cost alternative to many other centers.

Alloys: Some applications require special alloys not normally used for industrial wheel centers, including brass, zinc and aluminum alloys.

Nylon: Special techniques allow us to effectively bond to nylon.

Note: Nearly any material that is machinable can be fashioned into a wheel but not all materials can have urethane or rubber bonded to them.

DRIVE WHEELS



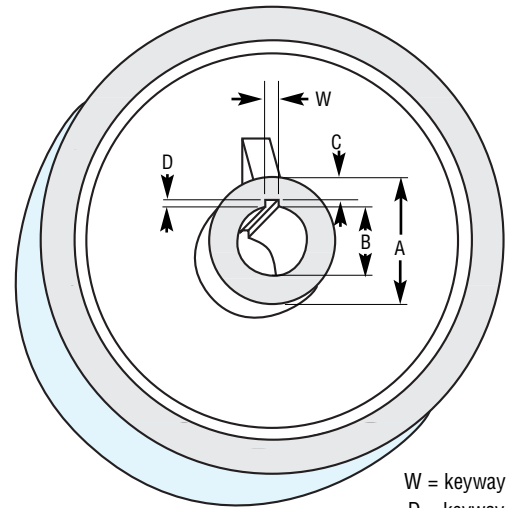
The applications are varied, but all involve fixing a wheel to a shaft. The most common means of securing a wheel to a shaft is with a keyway and/or setscrews. Other set-ups include tapered locking bushing, welding, interference fit, nuts and bolts, and cotter pins.

Keyways can be machined in most wheel sizes. The wheel hub diameter must be large enough to allow 1/4" of metal between the hub outside diameter and the bottom of the keyway. Because of the extra stress involved with keyed wheels, capacity ratings should be reduced by 50% and our normal warranty does not apply. When ordering, please specify shaft size as well as the width and depth of desired keyway. The chart at right shows the standard keyway dimensions in relation to the shaft diameter.

Set screws are also available. Unless otherwise specified, if one set screw is desired it will be placed over the keyway. If two, the second will be at 90° from the keyway.

Wheel Options

- Specialty treads
 - Extended or offset hubs
 - Tapered bores
 - Setscrew access holes
 - Additional mounting hardware
 - Metric keyways and setscrews
 - Tapped mounting holes
- **Centers:** Cast iron, ductile or steel centers are most suitable for keywayed wheels. Aluminum is used in some lighter duty applications but is not recommended.
 - **Tread Life:** Drive wheel applications will often generate greater tread stress than standard caster wheels. Shorter tread life will often be experienced dependent upon the application.
 - **Metric Keyways:** Metric bore and keyways are available.



W = keyway width
 D = keyway depth
 A = outside diameter of hub
 B = bore/shaft size
 C = hub wall above keyway

Standard Keyways and Keys

<u>Shaft Dia.</u>	<u>Keyway (Width/Depth)</u>	
1/2 to 9/16	1/8 Width	1/16 Depth
5/8 to 7/8	3/16 Width	3/32 Depth
15/16 to 1-1/4	1/4 Width	1/8 Depth
1-15/16 to 1-3/4	3/8 Width	3/16 Depth
1-13/16 to 2-1/4	1/2 Width	1/4 Depth
2-5/16 to 2-3/4	5/8 Width	5/16 Depth
2-13/16 to 3-1/4	3/4 Width	3/8 Depth

Metric Keyways Available

VULKOLLAN® / URETHANE RETREADING SERVICE

Retreading worn treads is frequently an excellent means of cost savings. This is especially true on specialty wheels with centers that are difficult to duplicate or are costly to replace from original equipment manufacturers. Our retreading program includes removal of existing tread, complete clean-up and inspection of centers, adding new treads and painting. We will inspect the existing tread and duplicate hardness and type when possible.

Retreading Options

- All tread types
- Replacement bearings
- Repair of centers where possible



VULKOLLAN® / URETHANES

Any Size:

- up to 48"

Any Shape:

- Flanged
- V-Groove
- U-Grooved
- Tapered
- Any Bore
- Keyed
- Locked Bushing

Any Core:

- Aluminum
- Steel
- Synthetic

Any Hardness:

- 20A to 83D

Any Color:

- Red, Brown, Green, Etc.

Applications:

- Amusement Ride Wheels
(all rides)
- AGV Wheels
- Ball Bearings
(urethane covered)
- Band Saw Wheels
- Belt Sander Wheels
- Conveyor Wheels
- Crane Wheels
- Drive Wheels
- Feed Wheels
- Flanged Wheels
- Load Wheels
- Material Handling Wheels
- Press-on Wheels
- Roller Coverings
- Split Rim Tires
- Textile Machinery Parts
- V-Groove Wheels



VULKOLLAN® / URETHANE REMOLDS

The use of liquid polyurethane in molding caster wheels and pallet load wheels has increased rapidly due to the **IMPROVED ROLLING RESISTANCE, HIGHER ABRASION RESISTANCE and HIGHER LOAD BEARING CAPACITIES OF POLYURETHANE.**

The process begins with the selection of the liquid polyurethane elastomer to give the desired durometer (20A to 83D). It is then mixed with a curing agent and processed under close time and temperature tolerances.

All worn material is carefully removed from the metal hubs and wheels. The metal substrate of aluminum, steel or cast iron is then sandblasted and placed in a chemical degreasing bath to assure a clean, consistent adhesive bonding area.

Once the bonding surface preparation has been completed, a double coat of premium, super-strength bonding agent is applied, to aid in preventing premature polyurethane-to-wheel failures.

After drying of the bonding agent, the selected polyurethane elastomer is cast onto the wheel or hub core in a special molding operation. The molded parts are then processed through a critical curing cycle.

When all the processes are complete, the products go through final inspection to insure concentricity and quality.



Before

After

- **Full warranty:** to last as long or longer than new wheels.
- **Average:** Two week turn around normal.
- **Emergency service available**

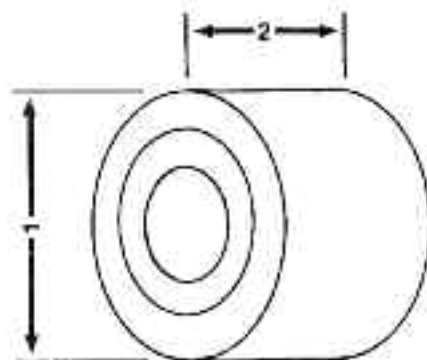
ORDERING INFORMATION:

WHEN PLACING ORDER, PLEASE SPECIFY THE FINISHED SIZES FOR YOUR REMOLDS OR WHEELS.

FOR YOUR CONVENIENCE, REFER TO THE WHEEL DIAGRAM BELOW FOR PROPER REMOLD OR WHEEL TERMINOLOGY.

EXAMPLE: A 3-1/4" X 3" X 3/4" 80A REMOLD WOULD BE A FINISHED WHEEL WITH AN OUTSIDE DIAMETER OF 3-1/4", BASE TREAD WIDTH OF 3", TREAD THICKNESS OF 3/4" AND DUROMETER 80A

REMOLD LOAD AND DRIVE WHEELS UP TO 48"



Be sure to specify :

1. = Outside Diameter
2. = Width (Measured at Base of tread)
3. = Tread Thickness
4. = Durometer

FORGED STEEL - FS

Capacity Up to 20,000 lbs.



Drop forged steel wheels are hot forged from carbon steel billets. The forging process improves grain flow, enhances ductility and tensile strength. Suitable for high capacity, abusive applications. Forged steel is 64,000 psi tensile strength.

Features

- **Wheel face:** Flat with rounded edges
- **Finish:** Clear coat enamel
- **Temperature Range:** Up to 800°F
- **Hardness:** Rockwell 80 B

Wheel Options

- **Note:** Select bearings featured are recommended for standard applications. For special applications or alternate bearings consult Acorn™.
- For customization & special application options, please consult Acorn™.

FORGED STEEL /
LARGE BORE - FS/LB

Capacity Up to 20,000 lbs.

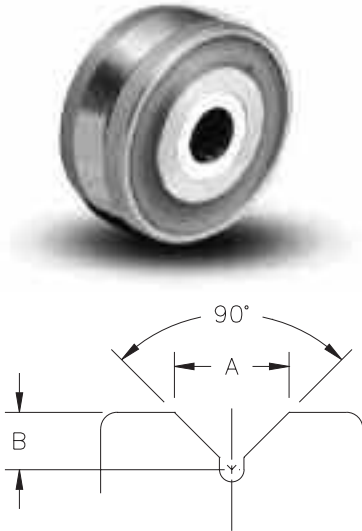
Dia. (in.)	Width (in.)	Capacity (lbs.)	Hub Length (in.)	Bore (in.)	Bearing (in.)	Wt. (lbs.)	Part Number*
4	1-1/2	1400	2-3/16	1-3/16	1/2	3-1/4	FS-R-0415-08
4	1-1/2	1400	2-3/16	1-3/16	5/8	3-1/4	FS-R-0415-10
4	1-1/2	1400	2-3/16	1-3/16	3/4	3-1/4	FS-R-0415-12
4	1-1/2	1400	2-7/16	1-3/8	1/2	3-1/4	FS-T-0415-08
5	1-3/4	1500	2-3/16	1-3/16	1/2	5-1/4	FS-R-0517-08
5	1-3/4	1500	2-3/16	1-3/16	5/8	5-1/4	FS-R-0517-10
5	1-3/4	1500	2-3/16	1-3/16	3/4	5-1/4	FS-R-0517-12
5	1-3/4	1800	2-7/16	1-3/8	1/2	5-1/4	FS-R-0517-08
6	2	1500	2-3/16	1-3/16	1/2	6-1/4	FS-R-0620-08
6	2	1500	2-3/16	1-3/16	5/8	6-1/4	FS-R-0620-10
6	2	1500	2-3/16	1-3/16	3/4	6-1/4	FS-R-0620-12
6	2	2500	2-7/16	1-3/8	1/2	6-1/4	FS-R-0620-08
6	2	2500	2-7/16	1-7/8	3/4	6-1/4	FS-R-0620-12
6	2-1/2	4000	3-1/4	1-15/16	1	11-3/4	FS-R-0625-16
6	2-1/2	4000	3-1/4	1-15/16	1-1/4	11-3/4	FS-R-0625-20
6	2-1/2	5000	3-1/2	1-7/8	3/4	11-1/4	FS-R-0625-12
6	2-1/2	5000	3-1/2	2-1/4	1	11-3/4	FS-R-0625-16
6	3	6000	3-1/4	2-7/16	1-1/4	20-1/4	FS-R-0630-20
6	3	6000	3-1/4	2-7/16	1-1/2	20-1/4	FS-R-0630-24
6	3	10000	3-1/4	2-7/16	1	19-3/4	FS-R-0630-16
6	3	10000	3-1/4	2-7/16	1-1/8	19-3/4	FS-R-0630-18
6	3	10000	3-1/4	2-7/16	1-1/4	19-3/4	FS-R-0630-20
8	2-1/2	4000	3-1/4	1-15/16	1	18	FS-R-0825-16
8	2-1/2	4000	3-1/4	1-15/16	1-1/4	18	FS-R-0825-20
8	3	4500	3-1/4	1-15/16	1	18-1/4	FS-R-0830-16
8	3	4500	3-1/4	1-15/16	1-1/4	18-1/4	FS-R-0830-20
8	3	5500	3-1/2	1-15/16	3/4	18-1/4	FS-R-0830-12
8	3	5500	3-1/2	2-1/4	1	18-1/4	FS-R-0830-16
8	4	8350	4-1/4	2-7/16	1-1/4	35-1/2	FS-R-0840-20
8	4	8350	4-1/4	2-7/16	1-1/2	35-1/2	FS-R-0840-24
8	4	10000	4-1/2	2-7/16	1	36-1/2	FS-R-0840-16
8	4	10000	4-1/2	2-7/16	1-1/8	36-1/2	FS-R-0840-18
8	4	10000	4-1/2	2-7/16	1-1/4	36-1/2	FS-R-0840-20
10	3	5000	3-1/4	1-15/16	1	27-3/4	FS-R-1030-16
10	3	5000	3-1/4	1-15/16	1-1/4	27-3/4	FS-R-1030-20
10	3	6000	3-1/2	1-15/16	3/4	27-1/2	FS-R-1030-12
10	4	8350	4-1/4	2-7/16	1-1/4	48	FS-R-1040-20
10	4	8350	4-1/4	2-7/16	1-1/2	48	FS-R-1040-24
10	4	10000	4-1/2	2-7/16	1	47-1/4	FS-R-1040-16
10	4	10000	4-1/2	2-7/16	1-1/8	47-1/4	FS-R-1040-18
10	4	10000	4-1/2	2-7/16	1-1/4	47-1/4	FS-R-1040-20

*R = Roller bearing, P = Precision Ball bearing, T = Tapered Roller Bearing

Dia. (in.)	Width (in.)	Capacity (lbs.)	Hub Length (in.)	Bore (in.)	Bearing (in.)	Wt. (lbs.)	Part Number*
6	3	17000	3-1/2	2-7/16	1-1/4	22-1/4	FS/LB-R-0630-20
6	3	17000	3-1/2	2-7/16	1-1/2	22-1/4	FS/LB-R-0630-24
8	3	6500	3-1/4	2-7/16	1-1/4	34	FS/LB-R-0830-20
8	4	20000	4-1/2	3-1/8	1-1/4	34	FS/LB-R-0840-20
8	4	20000	4-1/2	3-1/8	1-1/2	34	FS/LB-R-0840-24
10	3	6000	3-1/4	2-7/16	1-1/4	37-1/4	FS/LB-R-1030-20
10	3	6000	3-1/4	2-7/16	1-1/2	37-1/4	FS/LB-R-1030-24
10	3	6500	3-1/2	2-7/16	1	37	FS/LB-R-1030-16
10	3	6500	3-1/2	2.33	1-1/4	37	FS/LB-R-1030-20
10	4	20000	4-1/2	3-1/8	1-1/4	46-1/4	FS/LB-R-1040-20
10	4	20000	4-1/2	3-1/8	1-1/2	46-1/4	FS/LB-R-1040-24

FORGED STEEL / V-GROOVE - FS/VG

Capacity Up to 20,000 lbs.



Wheel face and “V”-groove are machined from drop forged steel. A relief groove at the base of the “V” tends to equalize the load to each face of the angle track when in operation. Wheel face and bore are machined for concentricity to proper tracking. These wheels can be used not only on a track but flat surfaces as well. VH wheels feature a larger bore for greater capacity.

Please note: Track alignment is critical when utilizing v-groove wheels.

Features

- **Wheel face:** V-groove
- **Finish:** Clear

Wheel Options

- **Note:** Select bearings featured are recommended for standard applications. For special applications or alternate bearings consult, Acorn™.
- For customization & special application options, consult Acorn™.

Wheel Dia. (in.)	Tread Width (in.)	Capacity (lbs.)	Hub Length (in.)	Bore ID (in.)	Bearing ID (in.)	Groove Width “A”	Groove Depth “B”	Approx. Weight (lbs.)	Part Number*
6	3	6000	3-1/4	2-7/16	1-1/4	1-3/8	11/16	20-1/4	FS/VG-R-0630-20
6	3	6000	3-1/4	2-7/16	1-1/2	1-3/8	11/16	20-1/4	FS/VG-R-0630-24
6	3	6500	3-1/2	2-7/16	1 1-3/8		11/16	19-3/4	FS/VG-T-0630-16
6	3	6500	3-1/2	2-7/16	1-1/4	1-3/8	11/16	19-3/4	FS/VG-T-0630-20
6	3	10000	3-1/2	3-1/8	1-1/4	1-3/8	11/16	22	FS/VG-T-0630-20
6	3	10000	3-1/2	3-1/8	1-1/2	1-3/8	11/16	22	FS/VG-T-0630-24
8	3	6000	3-1/4	1-15/16	1	7/8	7/16	30	FS/VG-R-0830-16
8	4	8350	4-1/4	2-7/16	1-1/4	1-3/4	7/8	21-3/4	FS/VG-R-0840-20
8	4	8350	4-1/4	2-7/16	1-1/2	1-3/4	7/8	21-3/4	FS/VG-R-0840-24
8	4	10000	4-1/2	2-7/16	1	1-3/4	7/8	21	FS/VG-T-0840-16
8	4	10000	4-1/2	2-7/16	1-1/4	1-3/4	7/8	21	FS/VG-T-0840-20
8	4	15000	4-1/2	3-1/8	1-1/4	1-3/4	7/8	27-1/2	FS/VG-T-0840-20
8	4	15000	4-1/2	3-1/8	1-1/2	1-3/4	7/8	27-1/2	FS/VG-T-0840-24
10	3	6000	3-1/4	2-7/16	1-1/4	1-3/8	11/16	37-1/2	FS/VG-R-1030-20
10	3	6000	3-1/4	2-7/16	1-1/2	1-3/8	11/16	37-1/2	FS/VG-R-1030-24
10	3	6000	3-1/2	2-7/16	1	1-3/8	11/16	37	FS/VG-T-1030-16
10	3	6000	3-1/2	2-7/16	1-1/4	1-3/8	11/16	37	FS/VG-T-1030-20
10	3	5000	3-1/4	1-15/16	1	1-3/8	11/16	27-3/4	FS/VG-R-1030-16
10	3	5000	3-1/4	1-15/16	1-1/4	1-3/8	11/16	27-3/4	FS/VG-R-1030-20
10	4	8350	4-1/4	2-7/16	1-1/4	1-3/4	7/8	48	FS/VG-R-1030-20
10	4	8350	4-1/4	2-7/16	1-1/2	1-3/4	7/8	48	FS/VG-R-1030-24
10	4	10000	4-1/2	2-7/16	1	1-3/4	7/8	47-1/4	FS/VG-T-1030-16
10	4	10000	4-1/2	2-7/16	1-1/4	1-3/4	7/8	47-1/4	FS/VG-T-1030-20
10	4	15000	4-1/2	3-1/8	1-1/4	1-3/4	7/8	46-1/4	FS/VG-T-1030-20
10	4	15000	4-1/2	3-1/8	1-1/2	1-3/4	7/8	46-1/4	FS/VG-T-1030-24

* R = Roller bearing, P = Precision Ball bearing, T= Tapered Roller Bearing

DUCTILE IRON / FLAT TREAD - DU/FT

Capacity Up to 6000 lbs.



Features

- **Wheel face:** FM flat tread design, FR full radius tread design
- **Finish:** Black painted
- **Temperature Range:** Up to +800°F
- **Tensile Strength:** 65K PSI

DUCTILE IRON / CROWN TREAD - DU/CT

Capacity Up to 6000 lbs.



DUCTILE IRON / V-GROOVE - DU/VG

Capacity Up to 6000 lbs.



Dia. (in.)	Width (in.)	Capacity (lbs.)	Hub Length (in.)	Bore (in.)	Bearing (in.)	Wt. (lbs.)	Part Number*
5	2	1500	2-3/16	1-3/16	3/4	6	DU/FT-R-0520-19
5	2	1500	2-3/16	1-3/16	1/2	6	DU/FT-T-0520-08
6	2	1500	2-3/16	1-3/16	3/4	7-1/2	DU/FT-R-0620-19
6	2	2000	2-3/16	1-3/16	1/2	7-1/2	DU/FT-T-0620-08
6	2-1/2	3500	3-1/4	1-15/16	1-1/4	10-1/2	DU/FT-R-0625-31
6	2-1/2	3500	3-1/4	1-15/16	1-1/4	10-1/2	DU/FT-T-0625-12
6	3	6000	3-1/4	1-15/16	1-1/4	11-1/2	DU/FT-R-0630-31
6	3	6000	3-1/4	1-15/16	1-1/4	11-1/2	DU/FT-T-0630-12
8	2	2000	2-3/16	1-3/16	3/4	11	DU/FT-R-0820-19
8	2	2000	2-3/16	1-3/16	1/2	11	DU/FT-T-0820-08
8	3	6000	3-1/4	1-15/16	1	15-1/2	DU/FT-R-0830-31
8	3	6000	3-1/4	1-15/16	3/4	15-1/2	DU/FT-T-0830-12
10	3	6000	3-1/4	1-15/16	1-1/4	20-1/2	DU/FT-R-1030-31
10	3	6000	3-1/4	1-15/16	3/4	20-1/2	DU/FT-T-1030-12
12	3-1/2	6000	4-1/4	2-7/16	1-1/4	40-1/2	DU/FT-R-1235-20
12	3-1/2	6000	4-1/4	2-7/16	1-1/2	40-1/2	DU/FT-T-1235-24
12	3-1/2	6000	4-1/2	2-7/16	1	40	DU/FT-R-1235-16
12	3-1/2	6000	4-1/2	2-7/16	1-1/4	40	DU/FT-T-1235-20

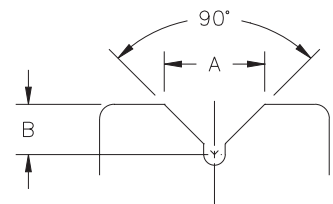
Dia. (in.)	Width (in.)	Capacity (lbs.)	Hub Length (in.)	Bore (in.)	Bearing (in.)	Wt. (lbs.)	Part Number*
5	2	1500	2-3/16	1-3/16	3/4	6	DU/CT-R-0520-19
5	2	1500	2-3/16	1-3/16	1/2	6	DU/CT-T-0520-08
6	2	2000	2-3/16	1-3/16	3/4	7-1/2	DU/CT-R-0620-19
6	2	2000	2-3/16	1-3/16	1/2	7-1/2	DU/CT-T-0620-08
6	2-1/2	3500	3-1/4	1-15/16	1-1/4	10-1/2	DU/CT-R-0625-31
6	2-1/2	3500	3-1/4	1-15/16	3/4	10-1/2	DU/CT-T-0625-12
6	3	6000	3-1/4	1-15/16	1-1/4	11-1/2	DU/CT-R-0630-31
6	3	6000	3-1/4	1-15/16	3/4	11-1/2	DU/CT-T-0630-12
8	2	1500	2-3/16	1-3/16	1-3/16	11	DU/CT-R-0820-19
8	2	2000	2-3/16	1-3/16	1/2	11	DU/CT-T-0820-08
8	3	5000	3-1/4	1-15/16	1-1/4	15-1/2	DU/CT-R-0830-31
8	3	6000	3-1/4	1-15/16	3/4	15-1/2	DU/CT-T-0830-12
10	3	5000	3-1/4	1-15/16	1-1/4	20-1/2	DU/CT-R-1030-31
10	3	6000	3-1/4	1-15/16	3/4	20-1/2	DU/CT-T-1030-12

Dia. (in.)	Width (in.)	Capacity (lbs.)	Hub Length (in.)	Bore (in.)	Bearing (in.)	Wt. (lbs.)	Part Number*
4	2	1500	2-3/16	1-3/16	1-3/16	2-3/4	DU/VG-00-0420-19
6	2	1600	2-3/16	1-3/16	1-3/16	5-3/4	DU/VG-00-0620-19
6	3	5000	3-1/4	1-15/16	1-15/16	10-1/2	DU/VG-R-0630-31
6	3	5000	3-1/4	1-15/16	1-15/16	10-1/2	DU/VG-R-0630-31
8	3	5000	3-1/4	1-15/16	1-15/16	16-1/2	DU/VG-R-0830-31
10	3	6000	3-1/4	1-15/16	1-15/16	26	DU/VG-R-1030-31

*R = Roller bearing, P = Precision Ball bearing, T = Tapered Roller Bearing

V-Groove Measurements

- A: 6" & 8" wheel diameters = 7/8" wide
10" wheel diameters = 1-3/8" wide
- B: 6" & 8" wheel diameters = 7/16" tall
10" wheel diameters = 11/16" tall



CAST IRON - CA

Capacity Up to 8000 lbs.



Cast Iron, sometimes referred to as semi-steel, offers the highest tensile strength in the industry (30,000 psi). A cost-effective solution for high capacity applications.

Features

- **Wheel face:** Machined flat with rounded edges
- **Finish:** Gray enamel
- **Temperature Range:** Up to 800°F, consult Acorn™
- **Hardness:** Brinell 145

Wheel Options

- **Note:** Select bearings featured are recommended for standard applications. For special applications or alternate bearings consult Acorn™.
- For customization & special application options, please consult Acorn™

Dia. (in.)	Width (in.)	Capacity (lbs.)	Hub Length (in.)	Bore (in.)	Bearing (in.)	Wt. (lbs.)	Part Number*
3	1-1/4	300	1-1/2	1/2		1-1/4	CA-R-0312-08
3	1-5/16	300	1-3/8	1-1/16	1/2	1-1/4	CA-R-0313-08
3-1/4	1-1/2	400	1-5/8	1-3/16	1/2	1	CA-R-3215-08
3-1/4	1-1/2	400	1-5/8	1-3/16	5/8	1	CA-R-3215-10
3-1/4	1-1/2	400	1-5/8	1-3/16	3/4	1	CA-R-3215-12
3-1/4	2	700	2-3/16	1-3/16	1/2	3-1/4	CA-R-3220-08
3-1/4	2	700	2-3/16	1-3/16	5/8	3-1/4	CA-R-3220-10
3-1/4	2	700	2-3/16	1-3/16	3/4	3-1/4	CA-R-3220-12
3-1/4	4	2000	4-1/2	1-7/8	3/4	6-1/2	CA-T-3240-12
4	1-1/4	350	1-3/8	1/2	1/2	1-3/4	CA-R-0412-08
4	1-5/16	350	1-3/8	1-1/16	1/2	1-3/4	CA-R-0413-08
4	1-1/2	600	1-5/8	1-3/16	1/2	2-1/4	CA-R-0415-08
4	1-1/2	600	1-5/8	1-3/16	5/8	2-1/4	CA-R-0415-10
4	1-1/2^	600	1-5/8	1-3/16	3/4	2-1/4	CA-R-0415-12
4	1-7/8	1000	2-3/16	1-7/16	1/2	3-1/4	CA-R-0417-08
4	1-7/8	1000	2-3/16	1-3/16	3/4	3-1/4	CA-R-0417-12
4	3	2000	3-1/4	1-15/16	1	8-1/4	CA-R-0430-16
4	3	2000	3-1/4	1-15/16	1-1/4	8-1/4	CA-R-0430-20
4	4	4000	4-1/4	2-7/16	1-1/4	10-3/4	CA-R-0440-20
4	4	4000	4-1/4	2-7/16	1-1/2	10-3/4	CA-R-0440-24
5	1-1/4	350	1-1/2	1/2		2-1/4	CA-R-0512-08
5	1-5/16	350	1-3/8	1-1/16	1/2	2-1/4	CA-R-0513-08
5	1-1/2	600	1-5/8	1-3/16	1/2	3-1/4	CA-R-0515-08
5	1-1/2	600	1-5/8	1-3/16	5/8	3-1/4	CA-R-0515-10
5	1-1/2	600	1-5/8	1-3/16	3/4	3-1/4	CA-R-0515-12
5	1-7/8	1300	2-3/16	1-3/16	1/2	4-1/4	CA-R-0517-08
5	1-7/8	1300	2-3/16	1-3/16	3/4	4-1/4	CA-R-0517-12
5	2-1/8	1500	2-3/16	1-7/16	7/8	5-1/4	CA-R-0521-14
5	2-1/8	1500	2-3/16	1-7/16	1	5-1/4	CA-R-0521-16
5	2-1/2	2300	3-1/4	1-15/16	1	10	CA-R-0525-16
5	2-1/2	2300	3-1/4	1-15/16	1-1/4	10	CA-R-0525-20
6	1-1/2	800	1-5/8	1-3/16	1/2	4	CA-R-0615-08
6	1-1/2	800	1-5/8	1-3/16	5/8	4	CA-R-0615-10
6	1-1/2	800	1-5/8	1-3/16	3/4	4	CA-R-0615-12
6	1-7/8	1400	2-3/16	1-3/16	1/2	6-1/4	CA-R-0617-08
6	1-7/8	1400	2-3/16	1-3/16	5/8	6-1/4	CA-R-0617-10
6	1-7/8	1400	2-3/16	1-3/16	3/4	6-1/4	CA-R-0617-12
6	2-1/2	2300	3-1/4	1-15/16	1	10-1/4	CA-R-0625-16
6	2-1/2	2300	3-1/4	1-15/16	11/4	10-1/4	CA-R-0625-20
6	2-1/2	1800	2-3/4	1-15/16	1	9-1/2	CA-R-0625-16
6	2-1/2	2300	3-1/2	1-15/16	3/4	10	CA-T-0625-12
6	3	2800	3-1/4	1-15/16	1	11-3/4	CA-R-0630-16
6	3	2800	3-1/4	1-15/16	11/4	11-3/4	CA-R-0630-20
6	3	2800	3-1/2	1-15/16	3/4	11-1/2	CA-T-0630-12
8	2	1800	2-3/16	1-3/16	1/2	8-1/2	CA-R-0820-08
8	2	1800	2-3/16	1-3/16	5/8	8-1/2	CA-R-0820-10
8	2	1800	2-3/16	1-3/16	3/4	8-1/2	CA-R-0820-12
8	2-1/2	2300	3-1/4	1-15/16	1	13-1/4	CA-R-0825-16
8	2-1/2	2300	3-1/4	1-15/16	1-1/4	13-1/4	CA-R-0825-20
8	2-1/2	1600	2-3/4	1-3/16	3/4	10	CA-R-0825-12
8	2-1/2	1800	2-3/4	1-15/16	1	13	CA-R-0825-16
8	3	2800	3-1/4	1-15/16	1	11-3/4	CA-R-0830-16
8	3	2800	3-1/4	1-15/16	1-1/4	11-3/4	CA-R-0830-20
8	3	2800	3-1/2	1-15/16	3/4	11-1/2	CA-R-0830-12
8	4	4000	4-1/4	2-7/16	1-1/4	27-1/4	CA-T-0840-20
8	4	4000	4-1/4	2-7/16	1-1/2	27-1/4	CA-R-0840-24
8	4	6000	4-1/2	2-7/16	1	26-1/2	CA-T-0840-16
8	4	6000	4-1/2	2-7/16	1-1/4	26-1/2	CA-T-0840-20

(Continued on Next Page)

CAST IRON - CA

(Continued)

Cast Iron, sometimes referred to as semi-steel, offers the highest tensile strength in the industry (30,000 psi). A cost-effective solution for high capacity applications.

Features

- **Wheel face:** Machined flat with rounded edges
- **Finish:** Gray enamel
- **Temperature Range:** Up to 800°F, consult Acorn™
- **Hardness:** Brinell 145

Wheel Options

- **Note:** Select bearings featured are recommended for standard applications. For special applications or alternate bearings consult Acorn™.
- For customization & special application options, please consult Acorn™

CAST IRON /LARGE BORE CA/LB



CAST IRON / HIGH TENSILE CA/HT



Dia. (in.)	Width (in.)	Capacity (lbs.)	Hub Length (in.)	Bore (in.)	Bearing (in.)	Wt. (lbs.)	Part Number*
(Continued from Previous Page)							
10	2-1/2	2300	3-1/4	1-15/16	1	17-1/2	CA-R-1025-16
10	2-1/2	2300	2-3/4	1-15/16	1	17-1/2	CA-R-1025-16
10	2-1/2	2300	3-1/4	1-15/16	1-1/4	17-1/2	CA-R-1025-20
10	3	2800	3-1/4	1-15/16	1	16-3/4	CA-R-1030-16
10	3	2800	3-1/4	1-15/16	1-1/4	16-3/4	CA-R-1030-20
10	3	2800	3-1/2	1-15/16	3/4	16-1/2	CA-T-1030-12
10	4	4000	4-1/4	2-7/16	1-1/4	33	CA-R-1040-20
10	4	4000	4-1/4	2-7/16	1-1/2	33	CA-R-1040-24
10	4	6000	4-1/2	2-7/16	1	32-1/2	CA-T-1040-16
10	4	6000	4-1/2	2-7/16	1-1/4	32-1/2	CA-T-1040-20
12	2-1/2	1800	2-3/4	1-15/16	1	20-1/2	CA-R-1225-16
12	2-1/2	2300	3-1/4	1-15/16	1	20-1/2	CA-R-1225-16
12	2-1/2	2300	3-1/4	1-15/16	1-1/4	20-1/2	CA-R-1225-20
12	3	2800	3-1/4	1-15/16	1	22	CA-R-1230-16
12	3	2800	3-1/4	1-15/16	1-1/4	22	CA-R-1230-20
12	3	2800	3-1/2	1-15/16	3/4	21-3/4	CA-T-1230-12
12	3-1/2	4000	4-1/2	2-7/16	1-1/4	35-1/2	CA-R-1235-20
12	3-1/2	4000	4-1/2	2-7/16	1-1/2	35-1/2	CA-R-1235-24
12	3-1/2	4000	4-1/2	2-7/16	1	35	CA-T-1235-16
12	3-1/2	4000	4-1/2	2-7/16	1-1/4	35	CA-T-1235-20
14	4	4000	4-1/4	2-7/16	1-1/4	49-1/2	CA-R-1440-20
14	4	4000	4-1/4	2-7/16	1-1/2	49-1/2	CA-R-1440-24
16	3	4000	4-1/4	2-7/16	1-1/4	52-1/4	CA-R-1630-20
16	3	4000	4-1/4	2-7/16	1-1/2	52-1/4	CA-R-1630-24
16	4	5000	5-1/4	2-7/16	1-1/4	65-1/4	CA-R-1640-20
16	4	5000	5-1/4	2-7/16	1-1/2	65-1/4	CA-R-1640-24
18	3	4000	4-1/4	2-7/16	1-1/4	58	CA-R-1830-20
18	3	4000	4-1/4	2-7/16	2	58	CA-R-1830-24

*R = Roller bearing, P = Precision Ball bearing, T = Tapered Roller Bearing

Dia. (in.)	Width (in.)	Capacity (lbs.)	Hub Length (in.)	Bore (in.)	Bearing (in.)	Wt. (lbs.)	Part Number*
LARGE BORE PREMIUM CAST IRON (CA/LB) WITH HIGH TENSILE STRENGTH 30,000 PSI							
8	3	6000	3-1/4	2-7/16	1-1/4	21-3/4	CA/LB-R-0830-20
8	3	6000	3-1/4	2-7/16	1-1/2	21-3/4	CA/LB-R-0830-24
8	3	8000	3-1/2	2-7/16	1	21-1/2	CA/LB-T-0830-16
8	3	8000	3-1/2	2-7/16	1-1/4	21-1/2	CA/LB-T-0830-20

*R = Roller bearing, P = Precision Ball bearing, T = Tapered Roller Bearing

Dia. (in.)	Width (in.)	Capacity (lbs.)	Hub Length (in.)	Bore (in.)	Bearing (in.)	Wt. (lbs.)	Part Number*
HEAVY DUTY PREMIUM CAST IRON (CA/HT) WITH HIGH TENSILE STRENGTH 30,000 PSI							
5	2	1500	2-3/16	1-3/16	1/2	4-1/4	CA/HT-R-0520-08
5	2	1500	2-3/16	1-3/16	5/8	4-1/4	CA/HT-R-0520-10
5	2	1500	2-3/16	1-3/16	3/4	4-1/4	CA/HT-R-0520-12
6	2	1700	2-3/16	1-3/16	1/2	6-1/4	CA/HT-R-0620-08
6	2	1700	2-3/16	1-3/16	5/8	6-1/4	CA/HT-R-0620-10
6	2	1700	2-3/16	1-3/16	3/4	6-1/4	CA/HT-R-0620-12
8	2	1800	2-3/16	1-3/16	1/2	8-1/2	CA/HT-R-0820-08
8	2	1800	2-3/16	1-3/16	5/8	8-1/2	CA/HT-R-0820-10
8	2	1800	2-3/16	1-3/16	3/4	8-1/2	CA/HT-R-0820-12

*R = Roller bearing, P = Precision Ball bearing, T = Tapered Roller Bearing

CAST IRON / FLANGED - CA/FL & CA/FD

Capacity Up to 8000 lbs.



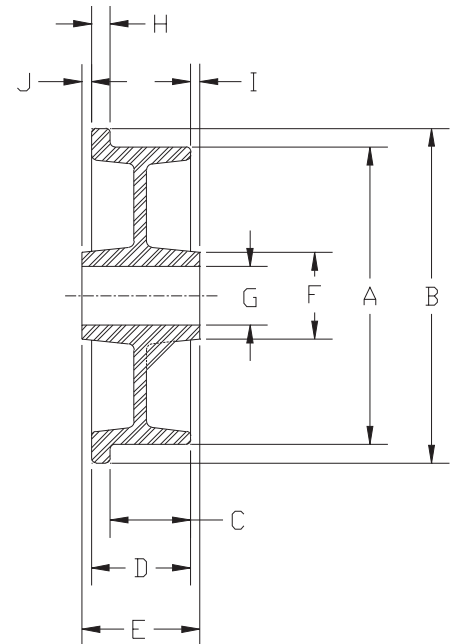
Various bore sizes available for use as plain bore wheels or to be used with keyway and set screw or with a variety of bearings. Cast iron offers 30,000 psi tensile strength.

Features

- **Finish:** Gray enamel
- **Temperature Range:** Up to 800°F, consult Acorn™.
- **Hardness:** Brinell 145

Wheel Options

- **Note:** Select bearings featured are recommended for standard applications. For special applications or alternate bearings consult factory.
- For customization & special application options, please consult Acorn™



SINGLE FLANGED WHEELS (Dimensions in Inches)

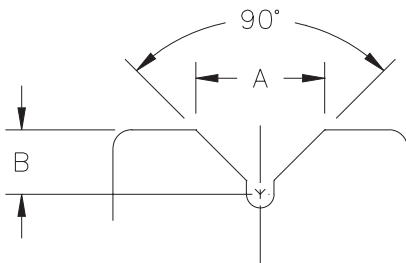
Face Dia. "A"	Flange OD "B"	Face Width "C"	OA Width "D"	Hub Length "E"	Hub OD "F"	Bore "G"	Flange Width "H"	Hub Offset "I"	Hub Offset "J"	Capacity (lbs)	Bearing ID (in)	Approx. Wt (lbs)	Part # R=Roller Brg T=Taper Brg
3	4	1	1-3/8	2-3/16	1-5/8	1-3/16	3/8	9/16	1/4	700	3/4	3	CA/FL-R-0310-12
3-1/4	4	1	1-3/8	2-3/16	1-3/4	1-3/16	3/8	19/32	7/32	700	3/4	3	CA/FL-R-3210-12
4-1/2	5-1/2	1-9/16	2-3/8	2-1/2	2-1/2	1-15/16	13/16	1/16	1/16	1500	1	9-1/2	CA/FL-R-4519-16
4-1/2	5-1/2	1-9/16	2-3/8	2-1/2	2-1/2	1-15/16	13/16	1/16	1/16	1500	3/4	9-1/2	CA/FL-T-4519-12
5	6	1-1/8	1-1/2	2-3/16	1-3/4	1-3/16	3/8	11/32	11/32	500	3/4	5-1/4	CA/FL-R-0511-12
5-3/8	6-1/8	1-5/16	1-11/16	2-3/16	1-3/4	1-3/16	3/8	13/32	3/32	900	3/4	5	CA/FL-R-5315-12
5	6	1-1/8	1-15/16	3-1/4	2-1/2	1-15/16	13/16	15/16	3/8	1000	1	6-1/2	CA/FL-R-0511-16
5	6	1-1/8	1-15/16	3-1/4	2-1/2	1-15/16	13/16	15/16	3/8	1000	3/4	6-1/2	CA/FL-T-0511-12
6	6-3/4	1-5/8	2	2-3/16	1-3/4	1-3/16	3/8	3/32	3/32	900	3/4	8-1/2	CA/FL-R-0615-12
7-1/16	8-3/4	1-3/4	2-3/16	2-3/4	3-1/4	1-15/16	7/16	9/32	9/32	1200	1	12-3/4	CA/FL-R-7117-16
7-1/16	8-3/4	1-3/4	2-3/16	2-3/4	3-1/4	1-15/16	7/16	9/32	9/32	1200	3/4	12-3/4	CA/FL-T-7117-12
8	9-1/2	2	2-1/2	3-1/4	3	1-15/16	1/2	3/8	3/8	1600	1	16-1/4	CA/FL-R-0820-16
8	9-1/2	2	2-1/2	3-1/4	3	1-15/16	1/2	3/8	3/8	1600	3/4	16-1/4	CA/FL-T-0820-12
10	12	2-3/8	3	3-1/4	3	1-15/16	5/8	1/8	1/8	2000	1	29-1/4	CA/FL-R-1023-16
10	12	2-3/8	3	3-1/4	3	1-15/16	5/8	1/8	1/8	2000	3/4	29-1/4	CA/FL-T-1023-12
14	16	3	3-5/8	4-1/4	4-1/4	2-7/16	5/8	5/16	5/16	3000	1-1/4	56	CA/FL-R-1430-20
14	16	3	3-5/8	4-1/4	4-1/4	2-7/16	5/8	5/16	5/16	3000	1	56	CA/FL-T-1430-16

DOUBLE FLANGED WHEELS (Dimensions in Inches)

Face Dia. "A"	Flange OD "B"	Face Width "C"	OA Width "D"	Hub Length "E"	Hub OD "F"	Bore "G"	Flange Width "H"	Hub Offset "I"	Hub Offset "J"	Capacity (lbs)	Bearing ID (in)	Approx. Wt (lbs)	Part # R=Roller Brg T=Taper Brg
5	6	3/4	1-1/2	2-3/16	1-3/4	1-3/16	3/8	11/32	11/32	500	3/4	6	CA/FD-R-0507-12
10	12	1-3/4	3	3-1/4	3	1-15/16	5/8	1/8	1/8	2000	1	35	CA/FD-R-1017-16
10	12	1-3/4	3	3-1/4	3	1-15/16	5/8	1/8	1/8	2000	3/4	35	CA/FD-T-1417-12

CAST IRON / V-GROOVE - CA/VG

Capacity Up to 8000 lbs.



Wheel face and “V”-groove are machined from heavy duty cast iron. A relief groove at the base of the “V” tends to equalize the load to each face of the angle track when in operation. Wheel face and bore are machined for concentricity to proper tracking. These wheels can be used not only on track but flat surfaces as well. **CA/VL wheels feature a larger bore for greater capacity.**

Please note: Track alignment is critical when utilizing v-groove wheels.

Wheel Options

- **Note:** Select bearings featured are recommended for standard applications. For special applications or alternate bearings consult Acorn™.
- For customization & special application options, consult Acorn™.

Wheel Dia. (in.)	Tread Width (in.)	Capacity (lbs.)	Hub Length (in.)	Bore ID (in.)	Bearing ID (in.)	Groove Width “A”	Groove Depth “B”	Approx. Weight (lbs.)	Part # R= Roller Bearing
4	2	800	2-3/16	1-3/16	5/8	7/8	7/16	4	CA/VG-R-0420-10
4	2	800	2-3/16	1-3/16	3/4	7/8	7/16	4	CA/VG-R-0420-12
5	2	800	2-3/16	1-3/16	5/8	7/8	7/16	5	CA/VG-R-0520-10
5	2	800	2-3/16	1-3/16	3/4	7/8	7/16	5	CA/VG-R-0520-12
6	2	1000	2-3/16	1-3/16	5/8	7/8	7/16	8	CA/VG-R-0620-10
6	2	1000	2-3/16	1-3/16	3/4	7/8	7/16	8	CA/VG-R-0620-12
6	2-1/2	2500	3-1/4	1-15/16	1	7/8	7/16	11-3/4	CA/VG-R-0625-16
6	2-1/2	2500	3-1/4	1-15/16	1-1/4	7/8	7/16	11-3/4	CA/VG-R-0625-20
6	2-1/2	2500	3-1/2	1-15/16	3/4	7/8	7/16	11-1/2	CA/VG-T-0625-12
8	2-1/2	2500	3-1/4	1-15/16	1	7/8	7/16	15-1/2	CA/VG-R-0825-16
8	2-1/2	2500	3-1/4	1-15/16	1-1/4	7/8	7/16	15-1/2	CA/VG-R-0825-20
8	2-1/2	2500	3-1/2	1-15/16	3/4	7/8	7/16	15-1/2	CA/VG-T-0825-12
8	2-1/2	2500	3-1/2	1.98	1	7/8	7/16	15-1/2	CA/VG-T-0825-16
8	3	2500	3-1/4	1-15/16	1	7/8	7/16	16-3/4	CA/VG-R-0830-16
8	3	2500	3-1/4	1-15/16	1-1/4	7/8	7/16	16-3/4	CA/VG-R-0830-20
8	3	2500	3-1/2	1-15/16	3/4	7/8	7/16	16-1/2	CA/VG-T-0830-12
8	3	2500	3-1/2	1.98	1	7/8	7/16	16-1/2	CA/VG-T-0830-16
8	3	4000	3-1/4	2-7/16	1-1/4	1-3/8	11/16	17-3/4	CA/VL-R-0830-20
8	3	4000	3-1/4	2-7/16	1-1/2	1-3/8	11/16	17-3/4	CA/VL-R-0830-24
8	3	4000	3-1/2	2-7/16	1	1-3/8	11/16	17-1/4	CA/VL-T-0830-16
8	3	4000	3-1/2	2-7/16	1-1/4	1-3/8	11/16	17-1/4	CA/VL-T-0830-20
10	3	3000	3-1/4	1-15/16	1	1-3/8	11/16	27	CA/VG-R-1030-16
10	3	3000	3-1/4	1-15/16	1-1/4	1-3/8	11/16	27	CA/VG-R-1030-20
10	3	3500	3-1/2	1-15/16	3/4	1-3/8	11/16	26-3/4	CA/VG-T-1030-12
10	3	3500	3-1/2	1.98	1	1-3/8	11/16	26-3/4	CA/VG-T-1030-16

STAINLESS STEEL - SS

Capacity Up to 20,000 lbs.



6" x 2" Stainless Steel Wheel with Precision Stainless Steel Ball Bearings and two Stainless Steel Bearing End Caps

Features

- Type 303 stainless steel
- Non-magnetic
- Non-sparking
- Excellent corrosion resistance
- Wheels can be machined straight sided or machined to contour.
- Excellent corrosion resistance
- Slightly crowned tread face with rounded corners
- Furnished with plain bore / stainless steel bushing, stainless steel roller bearing or stainless steel precision bearing
- Stainless steel wheels can be made to your specifications or drawings

CUSTOM STAINLESS STEEL WHEELS MADE TO SPECIFICATIONS

- V-Groove
- Flanged
- Crown Tread
- Rollers

Consult Acorn™ for more information or assistance.

Dia. (in)	Width (in)	Hub Length (in.)	Axle (in)	Approx. Wt. (lb)	Capacity (lb)	Part Number P=Prec. Brg
2	1	1	5/16	1	200	SS-P-0210-05
2-1/2	1	1	5/16	2	200	SS-P-2510-05
2-1/2	1-1/4	1-7/16	3/8	3	400	SS-P-2512-06
3	7/8	1	5/16	1	200	SS-P-0378-05
3	1-1/4	1-7/16	3/8	4	400	SS-P-0312-06
3-1/2	7/8	1-7/16	3/8	5	400	SS-P-3578-06
4	7/8	1	5/16	5	200	SS-P-0478-05
4	1-1/4	1-7/16	3/8	5	400	SS-P-0412-06
4	1-1/2	1-5/8	1/2	7	600	SS-P-0415-08
4	2	2-3/8	1/2	10	1000	SS-P-0420-08
5	7/8	1	5/16	8	200	SS-P-0578-05
5	1-1/4	1-7/16	3/8	10	400	SS-P-0512-06
5	1-1/2	1-5/8	1/2	11	600	SS-P-0515-08
5	2	2-3/8	1/2	14	1000	SS-P-0520-08
6	1-1/2	1-5/8	1/2	15	600	SS-P-0615-08
6	2	2-3/8	1/2	20	1000	SS-P-0620-08
8	1-1/2	1-5/8	1/2	27	600	SS-P-0815-08
8	2	2-3/8	1/2	36	1000	SS-P-0820-08

* R = Roller bearing, P = Precision Ball bearing

Capacity ratings is for 2 mph

Stainless Steel Wheels provide the highest degree of sanitation. Type 303 is a non-magnetic, non-sparking material with excellent corrosion resistance. All wheels are available with SS Sealed Precision Ball Bearings, SS Bushings or SS Roller bearings. Custom sizes made to prints to fit any application.

**WHEELS SHOWN CAN BE USED IN CASTER CATEGORIES 02, 03, 04, 05, 06
ACORN MAKES END CAPS AND BUSHINGS TO FIT BEARING ID TO AXLE**



PLASTIC WHEELS	PAGE #
Nylacron™	.21-32
Solid Elastomer	.33-37
Nylon (Glass-Filled / High-Temp)	.38-39
Kryptonite™	.40
Phenolic / Texite	.41-48
Polypropylene	.49
Retort	.50



NYLACRON™ WHEELS
(NY/MD, NY/HSB, NY/MC, NY/GF)



SOLID ELASTOMER
(SE)

Visit our Web site for new products
www.acornindprod.com



EXTREME SOLID ELASTOMER
(EX/SE)



NYLON GLASS-FILLED
(NN/GF)



NYLON GLASS-FILLED / NOISE REDUCTION
(NN/GF/NR)



HIGH-TEMP NYLON FIBERGLASS / HEATEATER
(HE)



KRYPTONIC
(KR)



PHENOLIC / TEXITE
(TM) (TH) (TL) (TS) (TR)



POLYPROPYLENE
(PB)

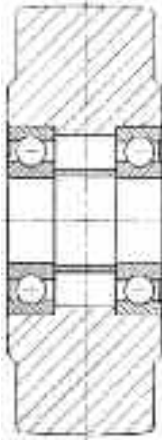


RETORT
(RT)

For Nylon (PEVOLON®) Wheels,
refer to the RÄDER-VOGEL®
Index in this section
(Section 11: Wheels)

NYLACRON™ WHEELS NY/MD AND NY/HSB

Capacity Up to 26,400 lbs.



Nylacron™ Wheel Cross Section
with pre-loaded sealed precision ball
bearings and center piece

**END CAPS PROVIDED WITH EACH
WHEEL TO FIT IN RIG WIDTH AND SIZE
OF THE AXLE**

Heavy Duty Nylacron™ Wheels are made of tough hard, highly compressed cast polyamide, MD (MoS₂) filled or heat stabilized (high temp blue) to replace Steel, Phenolic, Solid Elastomer and Urethane Wheels where very high load capacities, floor protection, low rolling resistance, impact proof, corrosive resistance and floor conditions allow. The casting process increases the load capacity compared to injection-molded nylon and has better properties in regard to tension and pressure, modulus of elasticity, thermoform stability, coefficient of friction, flow properties and absorption of humidity.

Features

- **Ergonomic:** extraordinarily easy to push - no more back aches - less power to tow.
- **wheels:** wheel dampens shock and vibration thus reducing noise.
- **High Impact Strength:** resists fracture from repeated shock loads.
- **Higher Loads:** mechanical strength supports greater weight and allows better utilization in caster rigs.
- **Higher Resilience:** wheel returns to original shape without deforming when deflected by loads or rapidly applied stresses.
- **High Caster Ratings:** higher wheel ratings allow better utilization of caster rig ratings.
- **Floor Protective:** material does not damage floors and is lighter in weight than steel.
- **Longer Life:** shows minimal wear in extended use-resists abrasion, water and many hazardous chemicals. Ideal for stainless steel rigs applications.
- **Lower Maintenance:** sealed precision bearings and minimal wheels wear greatly reduces in-plant maintenance requirements. Only one type wheel needed.
- **Hardness:** 112-120 Rockwell R
- **Temperature range:** - 30 to + 220 ° F Continuous - 30 to + 4000 ° F Continuous NY/HT (3" to 8")
- **Chemical Resistance:** See chart for wide range of chemical resistance.

Applications

- | | |
|-------------------|----------------------|
| • Aerospace | • Fisheries |
| • AGV | • Food |
| • Amusement Rides | • Meat Processing |
| • Automotive | • Monorail Conveyors |
| • Bakeries | • Pharmaceutical |
| • Chemical Plants | • Retrieval Systems |
| • Conveyor | • Storage Racks |
| • Crane | • Towlines |
| • Dairy | • Turning Platforms |

All information is based on Acorn's over 10 years experience working with the producers of the cast polyamides to successfully provide Nylacron™ wheels for the industries where the properties of this material offers many benefits.

Nylacron Wheels can be made in any size to fit any caster rig or wheel application and replace any type wheel

NYLACRON™ WHEELS ARE ALSO AVAILABLE IN FLANGED / V-Groove AND CUSTOM SIZES TO 51" DIAMETER TO MEET JOB REQUIREMENTS.

Dia. (in.)	Width (in.)	Capacity (lbs.)	Hub Length (in.)	Axle Bore (in.)	Wheel Part Number*
3	1-1/4	440	1-1/2	3/8	NY/MD-P-0312-06
4	1-1/4	550	1-1/2	3/8	NY/MD-P-0412-06
5	1-1/4	660	1-1/2	3/8	NY/MD-P-0512-06
6	1-1/4	770	1-1/2	3/8	NY/MD-P-0612-06
3	2	1000	2-3/16	1/2	NY/MD-P-0320-08
4	2	2000	2-3/16	1/2	NY/MD-P-0420-08
5	2	2000	2-3/16	1/2	NY/MD-P-0520-08
6	2	2000	2-3/16	1/2	NY/MD-P-0620-08
8	2	2400	2-3/16	1/2	NY/MD-P-0820-08
6	2-1/2	5000	2-3/4	1/2	NY/MD-P-0625-08
6	2-1/2	7200	3-1/4	3/4	NY/MD-P-0625-12
6	3	10,000	3-1/2	3/4	NY/MD-P-0630-12
8	2-1/2	7000	3	1/2	NY/MD-P-0825-08
8	2-1/2	7200	3-1/4	3/4	NY/MD-P-0825-12
8	3	10,000	3-1/2	3/4	NY/MD-P-0830-12
8	3	10,000	3-1/2	1	NY/MD-P-0830-16
8	4	10,000	4-1/2	1-1/4	NY/MD-P-0840-20
10	2-1/2	7200	2-3/4	1/2	NY/MD-P-1025-08
10	2-1/2	7200	3	3/4	NY/MD-P-1025-08
10	3	10,000	3-1/2	3/4	NY/MD-P-1030-12
10	4	12,000	4-1/2	1	NY/MD-P-1040-16
10	4	12,000	4-1/2	1-1/4	NY/MD-P-1040-20
12	2-1/2	8000	3	3/4	NY/MD-P-1225-12
12	3	11,000	3-1/2	3/4	NY/MD-P-1230-12
12	4	14,000	4-1/2	1	NY/MD-P-1240-16
12	4	14,000	4-1/2	1-1/4	NY/MD-P-1240-20
12	5	18,000	3	1-1/4	NY/MD-P-1250-20

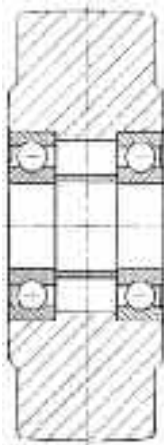
*Change NY/MD in the Wheel Part Number to NY/HSB for High Temp

Capacities can be increased by increasing the size of the precision bearings or by providing double row precision bearings.

End Caps provided with each wheel to fit in rig width and size of the Axle

NYLACRON™ MC (NY/MC)

Capacity Up to 26,400 lbs.



Nylacron™ Wheel Cross Section
with pre-loaded sealed precision ball bearings and center piece

END CAPS PROVIDED WITH EACH WHEEL TO FIT IN RIG WIDTH AND SIZE OF THE AXLE

Nylacron™ Monocast (NY/MC) Natural Wheels are an unfilled cast type 6 nylon developed on proven in the field for FDA application requirements. Wheels are straight sided and precision machined on CNC equipment to exacting tolerances and comply with section 177.1500 of food additive regulations. Stainless steel precision ball bearings are available for every wheel. Other than the type material, loadings and other characteristics are similar to Nylacron™.

Features

- **Ergonomic:** extraordinarily easy to push. No more back aches - less power to tow.
- **Quiet:** wheel dampens shock and vibration thus reducing noise.
- **High Impact Strength:** resists fracture from repeated shock loads.
- **Higher Loads:** mechanical strength supports greater weight and allows better utilization in caster rigs.
- **Higher Resilience:** wheel returns to original shape without deforming when deflected by loads or rapidly applied stresses.
- **High Caster Ratings:** higher wheel ratings allow better utilization of caster rig ratings.
- **Floor Protective:** material does not damage floors and is lighter in weight than steel.
- **Longer Life:** shows minimal wear in extended use. Resists abrasion, water and many hazardous chemicals. Ideal for stainless steel rigs applications.
- **Lower Maintenance:** sealed precision bearings and minimal wheels wear greatly reduces in-plant maintenance requirements. Only one type wheel needed.
- **Hardness:** 112-120 Rockwell R
- **Temperature range:** - 30 to + 220 ° F Continuous
- **Chemical Resistance:** See chart for wide range of chemical resistance.

Applications

- Aerospace
- AGV
- Amusement Rides
- Automotive
- Bakeries
- Chemical Plants
- Conveyor
- Crane
- Dairy
- Fisheries
- Food
- Meat Processing
- Monorail Conveyors
- Pharmaceutical
- Retrieval Systems
- Storage Racks
- Towlines
- Turning Platforms

All information is based on Acorn's over 10 years experience working with the producers of the cast Polyamides to successfully provide Nylacron™ wheels for the industries where the properties of this material offers many benefits.

Natural Wheels are also available in Flanged / V-Groove and custom sizes to 51 in. diameter to meet job requirements.

Dia. (in.)	Width (in.)	Capacity (lbs.)	Hub Length (in.)	Axle Bore (in.)	Wt. (lbs.)	Wheel Part Number
3	1-1/4	440	1-1/2	3/8	1	NY/MC-P-0325-06
4	1-1/4	550	1-1/2	3/8	1.5	NY/MC-P-0425-06
5	1-1/4	660	1-1/2	3/8	2	NY/MC-P-0525-06
6	1-1/4	770	1-1/2	3/8	3	NY/MC-P-0625-06
3	2	1000	2-3/16	1/2	1.5	NY/MC-P-0320-08
4	2	2000	2-3/16	1/2	2	NY/MC-P-0420-08
5	2	2000	2-3/16	1/2	3	NY/MC-P-0520-08
6	2	2000	2-3/16	1/2	4	NY/MC-P-0620-08
8	2	2400	2-3/16	1/2	5	NY/MC-P-0820-08
6	2-1/2	5000	2-3/4	1/2	5	NY/MC-P-0625-08
6	2-1/2	7200	3-1/4	3/4	5	NY/MC-P-0625-12
6	3	10,000	3-1/2	3/4	6	NY/MC-P-0630-12
8	2-1/2	7000	3	1/2	6	NY/MC-P-0825-08
8	2-1/2	7200	3-1/4	3/4	6	NY/MC-P-0825-12
8	3	10,000	3-1/2	3/4	8	NY/MC-P-0830-12
8	3	10,000	3-1/2	1	8	NY/MC-P-0830-16
8	4	10,000	4-1/2	1-1/4	9	NY/MC-P-0840-20
10	2-1/2	7200	2-3/4	1/2	7	NY/MC-P-1025-08
10	2-1/2	7200	3	3/4	7	NY/MC-P-1025-12
10	3	10,000	3-1/2	3/4	8	NY/MC-P-1030-12
10	4	12,000	4-1/2	1	9	NY/MC-P-1040-16
10	4	12,000	4-1/2	1-1/4	9	NY/MC-P-1040-20
12	2-1/2	8000	3	3/4	8	NY/MC-P-1225-12
12	3	11,000	3-1/2	3/4	9	NY/MC-P-1230-12
12	4	14,000	4-1/2	1	10	NY/MC-P-1240-16
12	4	14,000	4-1/2	1-1/4	10	NY/MC-P-1240-20
12	5	18,000	3	1-1/4	11	NY/MC-P-1250-20

CAPACITIES CAN BE INCREASED BY INCREASING THE SIZE OF THE PRECISION BEARINGS OR BY PROVIDING DOUBLE ROW PRECISION BEARINGS.

END CAPS PROVIDED WITH EACH WHEEL TO FIT IN RIG WIDTH AND SIZE OF THE AXLE

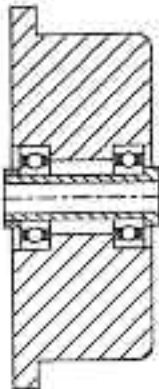
NYLACRON™ MD / FLANGED - NY/NL & NY/ND

Capacity Up to 3000 lbs.

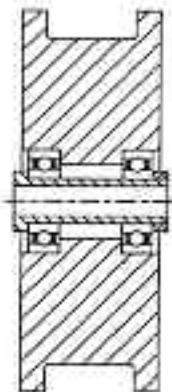


Nylacron™ Wheel

Available as Single Flanged or Double Flanged



(NL) SINGLE FLANGED NYLACRON WHEEL
Cross Sectional View



(ND) DOUBLE FLANGED NYLACRON WHEEL
Cross Sectional View

Heavy Duty Nylacron™ Flanged Wheels are straight sided and designed to operate quietly on steel track. All are precision machined on CNC equipment for concentricity and to insure proper tracking. Wheels are made of tough hard, highly compressed cast polyamide, MoS₂ filled, heat stabilized and designed to replace Steel, Phenolics, Solid Elastomers and Urethane Wheels in flanged applications where very high load capacities, low rolling resistance, impact proof, corrosive resistance and speed conditions allow. **Custom requirements to drawings available.**

Features

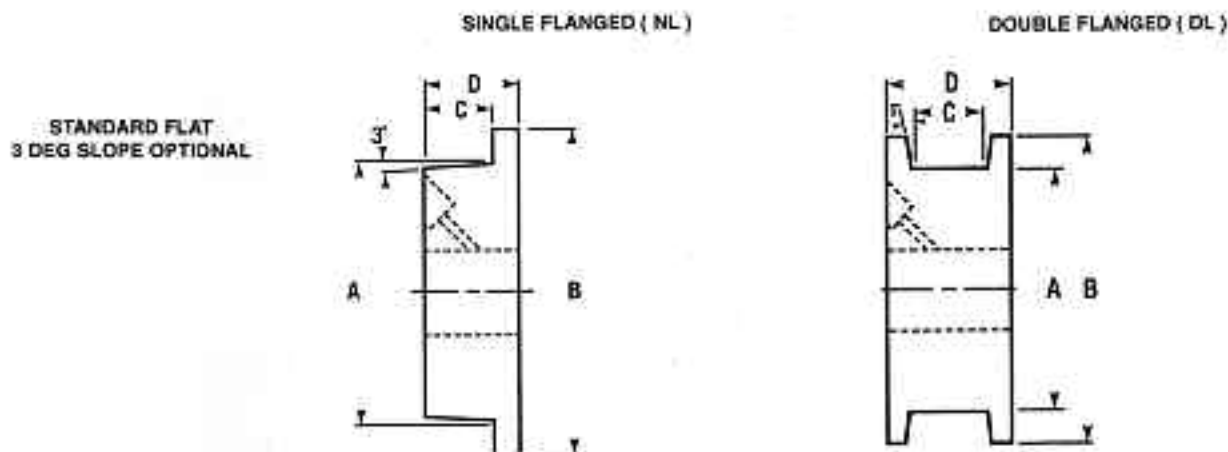
- **Ergonomic:** extraordinarily easy to push. No more back aches - less power to tow.
- **Quiet:** wheel dampens shock and vibration thus reducing noise.
- **High Impact Strength:** resists fracture from repeated shock loads.
- **Higher Loads:** mechanical strength supports greater weight and allows better utilization in caster rigs.
- **Higher Resilience:** wheel returns to original shape without deforming when deflected by loads or rapidly applied stresses.
- **High Caster Ratings:** higher wheel ratings allow better utilization of caster rig ratings.
- **Floor Protective:** material does not damage floors and is lighter in weight than steel.
- **Longer Life:** shows minimal wear in extended use-resists abrasion, water and many hazardous chemicals. Ideal for stainless steel rigs applications.
- **Lower Maintenance:** sealed precision bearings and minimal wheels wear greatly reduces in-plant maintenance requirements. Only one type wheel needed.
- **Hardness:** 112-120 Rockwell R
- **Temperature range:** - 30 to + 220 ° F Continuous
- **Chemical Resistance:** See chart for wide range of chemical resistance.

Applications

- Food Processing
- Dairies
- Meat Processing
- Automotive,
- Turning Platforms
- Towlines
- Bakeries,
- Fisheries
- Pharmaceutical
- Aerospace
- Amusement Rides

**END CAPS PROVIDED WITH EACH WHEEL
TO FIT IN RIG WIDTH AND SIZE OF THE AXLE**

All information is based on Acorn's over 10 years experience working with the producers of the cast Polyamides to successfully provide Nylacron™ wheels for the industries where the properties of this material offers many benefits.



Face Dia. A	Flange OD B	Flange Width C	OAW Width D	Hub Length (in)	Material Type	Load Capacity (lbs)	Axle Size (in)	Approx Weight (lbs)	Part Number (P) Prec Ball Brg (T) Tapered Brg
5"	6"	1-3/4"	2"	2-3/16"	Nylacron™	1300	1/2	3	NY/NL-P-0520-12
5"	6"	1-3/4"	2"	2-3/16"	Nylacron™	1300	1/2	3	NY/NL-T-0520-08
5"	6"	1"	1-1/2"	2-3/16"	Nylacron™	1100	1/2	3	NY/DL-P-0515-12
5"	6"	1"	1-1/2"	2-3/16"	Nylacron™	1100	1/2	3	NY/DL-T-0515-08
6"	6-3/4"	1-3/4"	2"	2-3/16"	Nylacron™	1600	1/2	4	NY/NL-P-0620-12
6"	6-3/4"	1-3/4"	2"	2-3/16"	Nylacron™	1600	1/2	4	NY/NL-T-0620-08
8"	9-1/2"	2"	2-1/2"	2-3/4"	Nylacron™	2500	3/4	7	NY/NL-P-0825-16
8"	9-1/2"	2"	2-1/2"	2-3/4"	Nylacron™	2500	3/4	7	NY/NL-T-0825-12
10"	12"	2-5/8"	3"	3-1/4"	Nylacron™	3000	3/4	8	NY/NL-P-1030-16
10"	12"	2-5/8"	3"	3-1/4"	Nylacron™	3000	3/4	8	NY/NL-T-1030-12
10"	12"	2-1/4"	3"	3-1/4"	Nylacron™	2000	3/4	8	NY/DL-P-1030-16
10"	12"	2-1/4"	3"	3-1/4"	Nylacron™	2000	3/4	8	NY/DL-T-1050-12

**CAPACITIES CAN BE INCREASED BY INCREASING THE SIZE OF THE PRECISION BEARINGS
OR BY PROVIDING DOUBLE ROW PRECISION BEARINGS.**

Nylacron™ Wheels can be made to any steel or cast iron standard. See Flanged Wheel Section for dimensions.

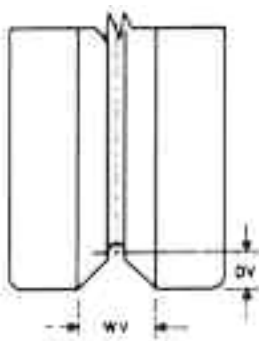
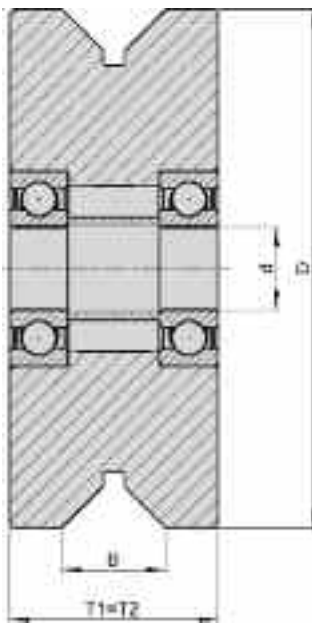
Nylacron™ Wheels are also available standard V-Groove and custom sizes to 51" diameter to meet job requirements.

NYLACRON™ MONOCAST / V-GROOVE - NY/MC/VG

Capacity Up to 26,00 lbs.



END CAPS PROVIDED WITH EACH WHEEL TO FIT IN RIG WIDTH AND SIZE OF THE AXLE



Nylacron™ Monocast (NY/MC/VG) V-Groove Wheels are straight sided and designed to operate quietly on steel track. All are precision machined on CNC equipment for concentricity and to insure proper tracking. Wheels are made of tough hard, highly compressed cast polyamide, MoS₂ filled, heat stabilized and designed to replace Steel, Phenolics, Solid Elastomers and Urethane Wheels in V-groove applications where very high load capacities, low rolling resistance, impact proof, corrosive resistance and speed conditions allow.

CUSTOM REQUIREMENTS TO DRAWINGS ARE AVAILABLE.

Features

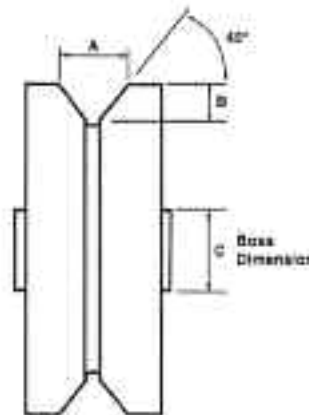
- **Ergonomic:** extraordinarily easy to push. No more back aches - less power to tow.
- **Quiet:** wheel dampens shock and vibration thus reducing noise.
- **High Impact Strength:** resists fracture from repeated shock loads.
- **Higher Loads:** mechanical strength supports greater weight and allows better utilization in caster rigs.
- **Higher Resilience:** wheel returns to original shape without deforming when deflected by loads or rapidly applied stresses.
- **High Caster Ratings:** higher wheel ratings allow better utilization of caster rig ratings.
- **Floor Protective:** material does not damage floors and is lighter in weight than steel.
- **Longer Life:** shows minimal wear in extended use-resists abrasion, water and many hazardous chemicals. Ideal for stainless steel rigs applications.
- **Lower Maintenance:** sealed precision bearings and minimal wheel wear greatly reduces in-plant maintenance requirements. Only one type wheel needed.
- **Hardness:** 112-120 Rockwell R
- **Temperature range:** - 30 to + 220 ° F Continuous
- **Chemical Resistance:** See chart for wide range of chemical resistance.

Applications

Food, Bakeries, Dairies, Fisheries, Meat Processing, Pharmaceutical, Automotive, Aerospace, Turning Platforms, Amusement Rides, Towlines

All information is based on Acorn's over 10 years experience working with the producers of the cast Polyamides to successfully provide Nylacron™ wheels for the industries where the properties of this material offers many benefits. **CAPACITIES CAN BE INCREASED BY INCREASING THE SIZE OF THE PRECISION BEARINGS OR BY PROVIDING DOUBLE ROW PRECISION BEARINGS.**

Face Dia. A	Flange OD B	Flange Width C	OAW Width D	Hub Length (in)	Material Type	Load Capacity (lbs)	Axle Size (in)	Approx Weight (lbs)	Part Number (P) Prec Ball Brg (T) Taper Brg
4"	2"	7/8"	7/16"	2-7/16	(NV) Nylacron™	1000	1/2	2	NY/MC/VG-P-0420-12
5"	2"	7/8"	7/16"	2-7/16	(NV) Nylacron™	1300	1/2	3	NY/MC/VG-P-0520-12
6"	2"	7/8"	7/16"	2-7/16"	(NV) Nylacron™	1500	1/2	4	NY/MC/VG-P-0620-12
8"	2"	7/8"	7/16"	2-7/16"	(NV) Nylacron™	2000	1/2	6	NY/MC/VG-P-0820-12
8"	2-1/2"	7/8"	7/16"	2-3/4"	(NV) Nylacron™	2100	3/4	7	NY/MC/VG-P-0825-16
8"	2-1/2"	7/8"	7/16"	2-3/4"	(NV) Nylacron™	2100	3/4	7	NY/MC/VG-P-0825-16
10"	2-1/2"	7/8"	7/16"	2-3/4"	(NV) Nylacron™	2400	3/4	9	NY/MC/VG-P-1025-16
10"	2-1/2"	7/8"	7/16"	2-3/4"	(NV) Nylacron™	2400	3/4	9	NY/MC/VG-P-1025-12
8"	3"	1-3/8"	11/16"	3-1/2"	(NV) Nylacron™	2200	3/4	9	NY/MC/VG-P-0830-16
8"	3"	1-3/8"	11/16"	3-1/2"	(NV) Nylacron™	2200	3/4	9	NY/MC/VG-P-0830-16
10"	3"	1-3/8"	11/16"	3-1/2"	(NV) Nylacron™	2600	3/4	11	NY/MC/VG-P-1030-16
10"	3"	1-3/8"	11/16"	3-1/2"	(NV) Nylacron™	2600	3/4	11	NY/MC/VG-P-1030-12



**NYLACRON WHEELS CAN BE MADE TO ANY STEEL OR CAST IRON STANDARD
SEE FLANGED STEEL WHEEL SECTION FOR DIMENSIONS**

WHEEL	MPH**	MPH CORRECTION FACTOR	LOAD RATING
4 X 2	0.38 *	1.00	2400
	2.00	0.82	1968
	4.00	0.63	1512
5 X 2	0.42 *	1.00	3000
	2.00	0.71	2130
	4.00	0.52	1560
6 X 2	0.61 *	1.00	3320
	2.00	0.68	2258
	4.00	0.54	1793
8 X 2	0.79*	1.00	3320
	2.00	0.75	2490
	4.00	0.64	2125
8 X 2.5	0.79*	1.00	6000
	2.00	0.89	5340
	4.00	0.76	4560
10 X 2.5	0.98*	1.00	7140
	2.00	0.82	5855
	4.00	0.65	4641
6 X 3	0.61*	1.00	5400
	2.00	1.00	5400
	4.00	1.00	5400
8 X 3	0.79*	1.00	7200
	2.00	1.00	7200
	4.00	1.00	7200
10 X 3	0.98*	1.00	9000
	2.00	1.00	9000
	4.00	1.00	9000

* MPH @ 33-1/3 RPM

** All speeds in chart are under 500 RPM

MPH = RPM x Wheel Circumference (FT) x 60 Min/Hour x Mile / 5280

EXAMPLE:

Find MPH for 4 X 2 wheel going 33.33 RPM:

MPH = 33.33 REV/MIN x 1.04 FT/REV x 60 Min/Hour x Mile / 5280 FT = .38 MPH

Applications

Food, Bakeries, Dairies, Fisheries, Meat Processing, Pharmaceutical, Automotive, Aerospace, Turning Platforms, Amusement Rides, Towlines

The following chemicals are considered compatible with Nylacron wheels. This is a general guide only, since there are many other chemicals compatible with these wheels. Field testing is recommended to confirm these recommendations.

Call Acorn (Toll Free) for any specific Chemical Resistance Data

Acetic acid	Ethyl alcohol	Petrol
Acetone	Ether	Petroleum
Amyl acetate	Fish glue	Sea water
Ammonia	Freon	Silicone oil/grease
Ammonia chloride	Gasoline	Sodium chloride solutions
Ammonia sulfate	Glycerine	Soy Bean oil
Beer	Glycol	Tolulene
Benzene	hexane	Toluol
Boric acid	Hydrogen sulfide	Trichloroehylene
Butyric acid	Hydrochloric acid	Turpentine
Butane	Isopropyl alcohol	Urea
Calcium chloride solutions	Jet fuels	Vaseline
Carbon dioxide	Linseed oil	Vegetable oils
Carbon disulphide	Lubricating oils	Vinyl chloride
Carbon monoxide	Lye	Water
Carbon tetrachloride	Mercury	Wax molten
Citric acid solutions	Methyl chloride	White spirit
Copper sulphate solutions	Methyl ethyl ketone	Wines & spirits
Diesel oil	Milk	Xylene
Edible oils	Mineral oil	Zinc chloride solutions
Esters	Motor oil	
Ethanol	Olive oil	

Nylacron™ (Nylamid®)

Name		DIN 7728 ⁽¹⁰⁾ (abbreviated)	Material	Condition of Sample	Mechanical Properties																		
Nylamid 320	PA 6 G	PA 6 G	Cast Polyamide, hard	dry normal	Density	1	2	3	4	5	6	7	8	9	10	11	12	13	14	15	16	17	
Nylamid 324/327	PA 6 G + MoS ₂ + H	PA 6 G + MoS ₂ -filled heat stabilized	Cast Polyamide, hard, MoS ₂ -filled heat stabilized	dry normal	Tensile Strength	100 80	<15	3700 2800	3800 3000	150 70	no break	>2.5 >12	175 150	>12 >6	>18 >10	120	210	0.04... 0.08	0.35	0.10			
Nylamid 1200	PA 12 G	PA 12 G	Cast Polyamide, Type 12	dry	Tearing Strength	60	<20	2000	2000	90	no break	>10	100			190							
				Method of Testing	ISO-DIS 527	ISO-DIS 527	ISO-DIS 527	DIN 53457	DIN 53457	DIN 53452	DIN 53453	DIN 180-1A	ISO 2039 partially	DIN 53444	DIN 53444	ISO R 75	ISO R 75	ISO R 75	ISO R 75	ISO R 75	ISO R 75	ISO 604	



• 520 Hertzog Boulevard • King of Prussia, PA 19406 •
 • Phone: 800-523-5474 • Fax: 800-782-6780 •
 • e-mail: acorn@acornindprod.com •
 • web: http://www.acornindprod.com •

1) tested with V-notch
 2) Against hardened Steel 2162 Rough Depth Rvst=2µm;
 Surface pressure p=0.05 N/mm²; v=0.6 m/s; t=40° C at running height
 3) measured with swinging hammer 0.1 DIN 51222
 4) Hc30
 5) Practice values short term - several hours; long term - months to years

6) Stress leading to 1 - 2% stretching after 1000h
 7) appr. at 20 - 100°C
 8) ISO 180-1 valid for the materials of the lines 3-13;
 all other materials acc. to DIN 43553
 9) DIN 53473 valid for the materials of the lines 1-18; all other materials
 acc. to DIN 53472

10) G, H, Oil, MoS₂, RIM, 7735 and 7708 are not abbreviations acc.to DIN 7728
 11) acc. to EN 64
 12) acc. to EN 63
 13) at 1 kHz

All information is based on our latest knowledge and experience. It is intended to provide information about our products and possible applications. It is not intended to guarantee specific product properties or applications. Any patents are to be taken into consideration.

Nylacron™ (Nylamid®)

Name	Electric Properties						Thermal Properties								Moisture		Absorption		Application
	Dialectric Figure	Dialectric Loss	Dialectric Strength	Penetration Resistance	Surface Resistance	Crepage/leakage Resistance	Melting point	Thermal Conductivity	Specific Heat	Coefficient of Linear Expansion (7)	Thermal Expansion per 10°C	Safe Temperature Range short periods (5)	Safe Temperature Range, permanent (5)	Moisture Absorption under normal air condition (9)	Absorption when immersed in water at 20°C				
Nylamid 320	3.7	0.03	50 20	10 ¹⁵ 10 ¹²	10 ¹² 10 ¹⁰	KA3c KA3b	220	0.25	1.67	70-80	0.1	-40 120	-40 120	2.2	7	Heavy-Duty Wheels			
Nylamid 324/327	3.7	0.03	50 20	10 ¹⁵ 10 ¹²	10 ¹² 10 ¹⁰	KA3c KA3b	220	.25	1.67	70-80	0.1	-40 120	-40 120	2.2	7	Heavy-Duty Wheels, running speed up to 3 m/sec.			
Nylamid 1200	3.5	0.04	35	10 ¹⁴	10 ¹²	KA3b	190	0.25	2.5	80-100	150	-40 120	0.9	1.4	sprockets, chain-wheels, pulleys, wheels, slide and seal rings, curve disks, etc.				
Method of Testing	DIN 53483	DIN 53483	DIN 53481	DIN 53482	DIN 53482	DIN 53480	ISO R 1218	DIN 52612		DIN 53752				DIN 53472	ISO R 62				

1) tested with V-notch
 2) Against hardened Steel 2162 Rough Depth Rvst=2µm;
 Surface pressure p=0.05 N/mm², v=0.6 m/s, t=40° C at running height
 3) measured with swinging hammer 0.1 DIN 51222
 4) Hc30
 5) Practice values short term - several hours; long term - months to years

6) Stress leading to 1 - 2% stretching after 1000h
 7) appr. at 20 - 100°C
 8) ISO 180-1 valid for the materials of the lines 3-13;
 all other materials acc. to DIN 43553
 9) DIN 53473 valid for the materials of the lines 1-18; all other materials acc. to DIN 53472

10) G, H, Oil, MoS2, RIM, 7735 and 7708 are not abbreviations acc. to DIN 7728
 11) acc. to EN 64
 12) acc. to EN 63
 13) at 1 kHz

All information is based on our latest knowledge and experience. It is intended to provide information about our products and possible applications. It is not intended to guarantee specific product properties or applications. Any patents are to be taken into consideration.

SE Solid Elastomer Wheels have a cast blend of elastomers and other constituents to produce a better wheel than similar injected molded Solid Elastomer Wheels. They are machined straight sided and provided with Dual Sealed 6204 bearings for higher load capacities and better rollability. They are superior in performance than conventional urethane, hard rubber and phenolic wheels. They are excellent in wet environments, but do not have the load capacities of NYLACRON.

FEATURES

- **Ergonomic:** extraordinarily easy to push. No more back aches. Less power to tow. Excellent in tow line applications.
- **Shock Absorbing and Extremely Quiet:** wheel dampens shock and vibration thus reducing noise.
- **Straight Sided:** maximum strength shock loads.
- **High Loads:** Increased Core thickness supports greater weight and allows better utilization of caster rigs.
- **Higher Resilience:** wheel returns to original shape without deforming when deflected by loads or rapidly applied stresses.
- **High Caster Ratings:** much higher wheel ratings than injection molded style Solid Elastomer wheels.
- **Floor Protective:** material does not damage floors and is non-marking.
- **Longer Life:** Shows minimal wear in extended use. Resists abrasion, water and many hazardous chemicals. Ideal for stainless steel rig applications.
- **Lower Maintenance:** sealed precision bearings and minimal wheel wear greatly reduces in-plant maintenance requirements. Available with sealed Stainless Steel Precision Ball bearings
- **Hardness:** 55 +/- 1 Shore D
- **Temperature range:** - 40 to +230 ° F
- **Chemical Resistance:** resistant to wide range of
- **Sealed Precision Ball Bearings** with end caps and center piece to fit in rig hub lengths. 2-1/2", 3" or other. Available with sealed Stainless Steel Precision Ball bearings, end caps and center piece.

OPTIONS

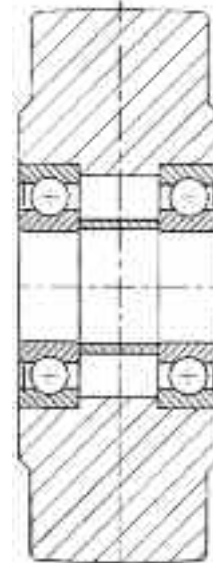
- **Green or Yellow** Anti static wheels, change SE to SE/AS/GR (Green) or SE/AS/YE (Yellow)

APPLICATIONS

Food, Bakeries, Dairies, Fisheries, Meat Processing, Pharmaceutical



(SE) Solid Elastomer Wheel
with pre-loaded sealed precision ball bearings



Solid Elastomer Wheel (SE) Cross Section
with pre-loaded sealed precision ball bearings
and center piece

**END CAPS PROVIDED WITH EACH WHEEL
TO FIT IN RIG WIDTH AND SIZE OF THE AXLE**

Wheel Dia. (in.)	Tread Width (in.)	Load Capacity (lbs.) **	Hub Length (in.)	Axle Dia (in.)	Bearing ID (in.)	Approx. Weight (lbs)	Part Number*
3	1-1/4	325	1-1/2	3/8	3/8	1	SE-P-0312-08
3-1/2	1-1/4	325	1-1/2	3/8	3/8	1-1/2	SE-P-3512-08
4	1-1/4	600	1-1/2	3/8	3/8	2	SE-P-0412-08
5	1-1/4	700	1-1/2	3/8	3/8	2-1/2	SE-P-0512-08
3	2	900	2-3/16	1-3/16	1/2	2	SE-P-0420-12
4	2	1000	2-3/16	1-3/16	1/2	3	SE-P-0420-10
5	2	1000	2-3/16	1-3/16	1/2	4	SE-P-0520-12
6	2	1200	2-3/16	1-3/16	1/2	5	SE-P-0620-10
8	2	1500	2-3/16	1-3/16	1/2	6	SE-P-0820-12
5	2-1/2	1350	3-1/4	1-15/16	3/4	5	SE-P-0525-12
6	2-1/2	1500	3-1/4	1-15/16	3/4	6	SE-P-0625-12
8	2-1/2	1650	3-1/4	1-15/16	3/4	7	SE-P-0825-12
10	2-1/2	1800	3-1/4	1-15/16	3/4	8	SE-P-1025-12
12	2-1/2	2000	3-1/4	1-15/16	3/4	9	SE-P-1225-12

*P = PRECISION BALL BEARINGS WITH END CAPS (AVAILABLE WITH STAINLESS STEEL PRECISION BEARINGS AND STAINLESS STEEL END CAPS)

** = MANUAL LOAD RATINGS

CHEMICAL RESISTANCE GUIDE

This table lists a broad range of fluids and chemicals which are considered compatible with SE/SS wheel. Ratings are at 72° F unless specified otherwise. Concentrations of aqueous solutions are saturated, except where noted. Note especially that this data is based on laboratory tests and may vary in practice. Field testing is recommended to confirm these recommendations. Only those chemicals that have little or no effect on the SE wheel are listed here. Other fluids may have a very minor or major effect. For information on the compatibility of other fluids, contact engineering.

Acetic acid 20%	n-Hexane	Methyl alcohol
Acetic acid 30%	Hydrogen	Methyl ethyl ketone
Acetic acid, glacial	Hydrogen sulfide	Mineral oil
Acetylene	Iso-Octane	Naphtha
Ammonium chloride solutions	Calcium chloride solutions	Oleic acid
Ammonium sulfate solutions	Calcium hypochlorite, 5%	Palmitic acid
Amyl acetate	Carbon dioxide	Potassium hydroxide, dil. solutions
ASTM oil 1 (300°F)	Carbon monoxide	Pydraul 312C
ASTM oil 3 (300°F)	Citric acid solutions	SAE #10 oil
ASTM reference fuel A (158°F)	Copper chloride solutions	Sea water
ASTM reference fuel B (158°F)	Copper sulfate solutions	Silicone grease
ASTM reference fuel C	Cyclohexane	SKYDROL 500
Beer	Dibutyl phthalate	Soap solutions
Borax solutions	Diethyl sebacate	Sodium chloride solutions
Boric acid solutions	Diethyl phthalate	Sodium hydroxide, 20%
Butane	Ethyl alcohol	Sodium hypochlorite, 5%
FREON*-11	Ethylene glycol	Sulfuric acid, up to 5%
FREON-12	Ethylene oxide	Tannic acid, 10%
FREON-113	Isopropyl alcohol	Trisodium phosphate solutions
FREON-113 (130°F)	JP-4 (100°F)	Water (158°F)
FREON-114	Lubricating oils	Xylene
Gasoline	Mercury	Zinc chloride solutions
Glue		
Glycerin		

PLASTICS

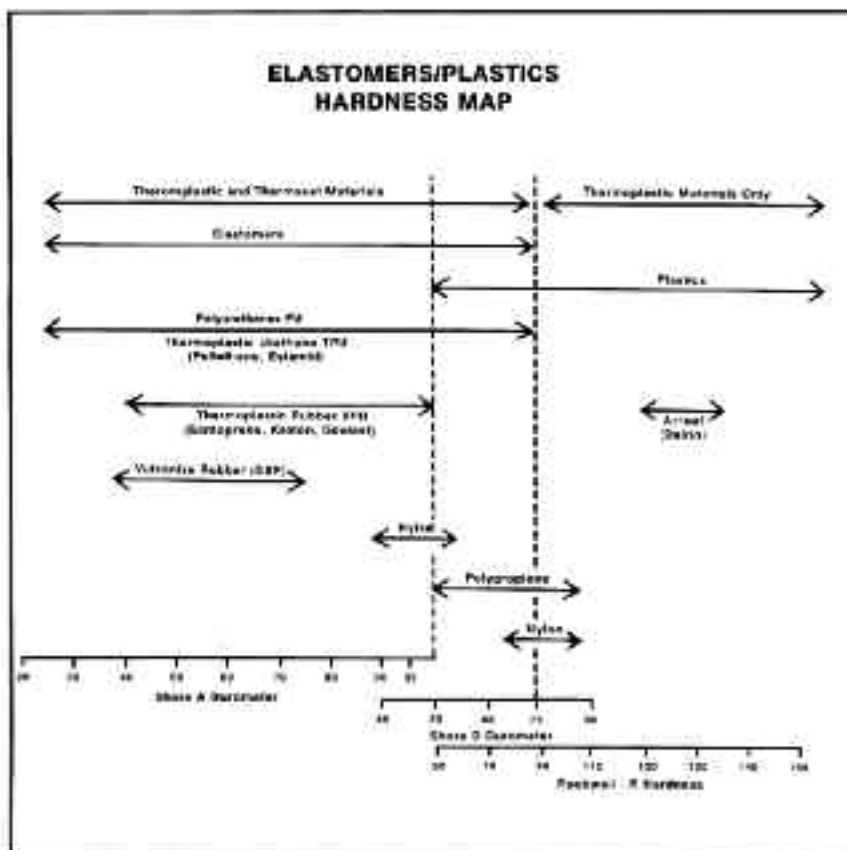
The world of elastomers and plastics has become a very interesting topic with new terms appearing every day. The information in this article is intended to assist in the development of a common language and understanding associated with this topic. Although this information is elementary, we believe you will find it to be useful. In addition, this material will serve as the beginning of a series of articles in this topic area.

In order to build a foundation, we will cover some important terms. **Elastomers** are highly stretchable materials, like rubber. **Plastics**, on the other hand, tend to be more rigid in construction. There is an overlap area related to the hardness characteristic of these materials. The accompanying chart displays the hardness ranges of these general categories, some more specific categories and some brand names encountered from time to time. The hardness overlap area between elastomers and plastics is in the 55 to 75 Shore D durometer range.

Thermoplastic materials tend to be composed of one element. These materials can be heated and reshaped a number of times.

Thermoset materials, on the other hand, usually involve a combination of components. When these components are mixed, heat is usually generated by the chemical reaction. After the combined materials are shaped, they cannot be reshaped.

Urethanes are elastomers which are available in both thermoset and thermoplastic materials. The term TPU refers to a thermoplastic urethane. There are many brand names in the urethane family, e.g. pellethane, estamid, etc. The term PU refers to a thermosetting polyurethane.



Vulcanized rubber is a thermosetting material as well as a SBR (styrenebutadiene rubber). TPR is a thermoplastic material involving many brand names, e.g. Santoprene, Kraton, Geolast, etc.

Hytre is a thermoplastic material which, like urethane, is an elastomer. Hytre is at the harder end of the range of hardness available with elastomers.

Polypropylene is a thermoplastic material which possesses characteristics of both elastomers and plastics. **Nylon** is a thermoplastic material which has primarily the properties of plastics.

The accompanying chart should help you keep the hardness properties of these materials in focus.

EXTREME SOLID ELASTOMER - EX/SE

Capacity Up to 1000 lbs.



Features

Heavy duty version of XI wheel.

- **Hardness:** 75 Shore D
- **Wheel Face:** Moderate crown
- **Finish:** XI Green
- **Temperature Range:** up to +200°F
- **For customization & special application options, please consult Acorn™.**

Dia. (in.)	Width (in.)	Cap. (lbs.)	Hub Length (in.)	Bore (in.)	Brg ID (in.)	Wt. (lbs.)	Part Number*
4	2	1000	2-3/16	1-3/16	3/4	1-1/2	EX/SE-00-0420-12
4	2	1000	2-3/16	1-3/16	3/4	1-1/2	EX/SE-R-0420-12
4	2	1000	2-7/16	-	1/2	1	EX/SE-P-0420-08
5	2	1000	2-3/16	1-3/16	3/4	1-1/2	EX/SE-00-0520-12
5	2	1000	2-3/16	1-3/16	3/4	1-1/2	EX/SE-R-0520-12
5	2	1000	2-7/16	-	1/2	1-1/2	EX/SE-P-0520-08
6	2	1000	2-3/16	1-3/16	3/4	1-3/4	EX/SE-00-0620-12
6	2	1000	2-3/16	1-3/16	3/4	1-3/4	EX/SE-R-0620-12
6	2	1000	2-7/16	-	1/2	1-3/4	EX/SE-P-0620-08
8	2	1000	2-3/16	1-3/16	3/4	4	EX/SE-00-0820-12
8	2	1000	2-3/16	1-3/16	3/4	4	EX/SE-R-0820-12
8	2	1000	2-7/16	-	1/2	4	EX/SE-P-0820-08

*Available with Stainless Steel bearings.

*00 = Bore size only with no Bering; P = Precision Ball Bearing; R = Roller Bearing

Designed specifically for high capacity manual applications involving chemicals, solvents or water. X-tremely low rolling resistance provides the ergonomic qualities you demand. One-piece construction affords freedom from tread separation with an exceptionally long life. Non-marking, floor protective tread.

EXTREME PLUS SOLID ELASTOMER - EXP/SE

Capacity Up to 2500 lbs.



Features

- **Hardness:** 60 Shore D
- Premium Polyurethane
- Excellent for towing applications
- **Wheel Face:** Moderate crown
- **Finish:** XP Gray
- **Temperature Range:** up to +250°F
- **For customization & special application options, please consult Acorn™.**

Dia. (in.)	Width (in.)	Capacity (lbs.)	Hub Length (in.)	Bore (in.)	Bearing ID (in.)	Wt. (lbs.)	Part Number*
4	2	1400	2-3/16	1-3/16	3/4	1	EXP/SE-00-0420-08
4	2	1400	2-3/16	1-3/16	3/4	1	EXP/SE-R-0420-08
4	2	1400	2-7/16	1-9/16	1/2	1	EXP/SE-P-0420-08
5	2	1200	2-3/16	1-3/16	3/4	1-1/2	EXP/SE-00-0520-08
5	2	1200	2-3/16	1-3/16	3/4	1-1/2	EXP/SE-R-0520-08
5	2	1200	2-7/16	1-9/16	1/2	1-1/2	EXP/SE-P-0520-08
6	2	1400	2-3/16	1-3/16	3/4	1-3/4	EXP/SE-00-0620-08
6	2	1400	2-3/16	1-3/16	3/4	1-3/4	EXP/SE-R-0620-08
6	2	1700	2-7/16	1-9/16	1/2	1-3/4	EXP/SE-P-0620-08
6	3	1700	3-1/2	2-7/16	3/4	5	EXP/SE-P-0630-12
8	2	1200	2-3/16	1-3/16	3/4	4	EXP/SE-00-0820-08
8	2	1200	2-3/16	1-3/16	3/4	4	EXP/SE-R-0820-08
8	2	1200	2-7/16	1-9/16	1/2	4	EXP/SE-P-0820-08
8	2-1/2	2000	3-1/2	2-7/16	3/4	5	EXP/SE-P-0825-16
8	3	2000	3-1/2	2-7/16	3/4	6	EXP/SE-P-0830-16
10	2-1/2	2500	3-1/2	2-7/16	3/4	7	EXP/SE-P-1025-16
10	3	2500	3-1/2	2-7/16	3/4	8	EXP/SE-P-1030-16

*Available with Stainless Steel bearings.

*00 = Bore size only with no Bering; P = Precision Ball Bearing; R = Roller Bearing

NYLON / GLASS-FILLED NN/GF

Capacity Up to 7200 lbs.



Features

- **Wheel face:** Slight crown
- **Finish:** Black
- **Temperature Range:** -40° to +250°F
- **Hardness:** 85 Shore D ±5
- **Won't absorb moisture!**

Wheel Options

- **Note:** Select bearings featured are recommended for standard applications. For special applications or alternate bearings consult Acorn™.

Dia. (in.)	Width (in.)	Capacity (lbs.)	Hub Length (in.)	Bore (in.)	Bearing (in.)	Wt. (lbs.)	Part Number*
3-1/4	2	700	2-3/16	1-3/16	1/2	1	NN/GF-P-3220-08
4	2	800	2-3/16	1-3/16	1/2	1	NN/GF-P-0420-08
5	2	1000	2-3/16	1-3/16	1/2	1	NN/GF-P-0520-08
6	2	1200	2-3/16	1-3/16	1/2	1-1/8	NN/GF-P-0620-08
8	2	1400	2-3/16	1-3/16	1/2	1-3/8	NN/GF-P-0820-08
10	2-1/2	1500	2-3/4	1-3/16	1/2	1-1/2	NN/GF-P-1025-08

*Available with Stainless Steel bearings

*R = Roller bearing, P = Precision Ball bearing, T = Tapered Roller Bearing

NYLON / GLASS-FILLED / NOISE REDUCTION NN/GF/NR

Capacity Up to 1500 lbs.



Similar to Maxim NG wheels, but with the added benefit of two rubber treads on the wheel edges to reduce noise and improve traction even under heavy loads. Not recommended for towing applications above 3mph. Temperature range is -40 degrees to +180 degrees Fahrenheit.

Dia. (in.)	Width (in.)	Capacity (lbs.)	Hub Length (in.)	Bore (in.)	Bearing (in.)	Wt. (lbs.)	Part Number*
3-1/4	2	700	2-3/16	1-3/16	1/2	1	NN/GF/NR-P-3220-08
4	2	800	2-3/16	1-3/16	1/2	1	NN/GF/NR-P-0420-08
5	2	1000	2-3/16	1-3/16	1/2	1	NN/GF/NR-P-0520-08
6	2	1200	2-3/16	1-3/16	1/2	1-1/8	NN/GF/NR-P-0620-08
8	2	1400	2-3/16	1-3/16	1/2	1-3/8	NN/GF/NR-P-0820-08
10	2-1/2	1500	2-3/4	1-3/16	1/2	1-1/2	NN/GF/NR-P-1025-08

*Available with Stainless Steel bearings.

*R = Roller bearing, P = Precision Ball bearing, T = Tapered Roller Bearing

NYLON / GLASS-FILLED / HIGH-TEMP HEATEATER - HE

Capacity Up to 7200 lbs.



Features

- **Wheel face:** Moderate crown
- **Finish:** Black
- **Temperature Range:** Up to 550°F, 475°F intermittent consult Acorn™
- **Hardness:** 85 Shore D ±5
- For stainless steel roller bearing specify **ZB03**

Wheel Options

• Note:

Select bearings featured are recommended for standard applications.

For special applications or alternate bearings please consult Acorn™ .

For customization & special application options, please consult Acorn™

Dia. (in.)	Width (in.)	Capacity (lbs.)	Hub Length (in.)	Bore (in.)	Bearing (in.)	Wt. (lbs.)	Part Number P=Prec. Brg
3	1-3/8	600	1-1/2	1/2	1/2	1/2	HE-P-0313-08
3-1/2	1-3/8	700	1-1/2	1/2	1/2	3/8	HE-P-3513-08
4	1-3/8	700	1-1/2	1/2	1/2	1/2	HE-P-0413-08
4	1-1/2	700	1-5/8	1-3/16	3/4	3/4	HE-P-0415-08
4	2	800	2-3/16	1-3/16	3/4	1	HE-P-0420-08
5	1-3/8	800	1-1/2	1/2	1/2	1	HE-P-0513-08
5	1-1/2	800	1-5/8	1-3/16	3/4	1	HE-P-0515-08
5	2	1000	2-3/16	1-3/16	3/4	1-1/2	HE-P-0520-08
6	1-1/2	800	1-5/8	1-3/16	3/4	1-1/4	HE-P-0615-08
6	2	1200	2-3/16	1-3/16	3/4	1-1/2	HE-P-0620-08
8	1-1/2	1200	1-5/8	1-3/16	3/4	1-1/2	HE-P-0815-08
8	2	1400	2-3/16	1-3/16	3/4	1-1/2	HE-P-0820-08

*Available with Stainless Steel bearings.

Ideal for speciality applications, these wheels can withstand intermittent temperatures up to 550 degrees Fahrenheit. Nylon Glass-filled wheels won't chip, absorb water, or breakdown in caustic environments.

SOLID POLYETHER POLYURETHANE KRYPTONIC™ - KR, KR/HT, KR/ULHT*

An excellent problem solver to prevent tire separation in washdown environments where food, dirt and / or other particles can create unsanitary and unsatisfactory conditions and steam cleaning and cleanliness is a must. Meets FDA requirements and stands up to refrigeration and steam cleaning.

KR/HT = Kryptonite High Temp (Gray Wheels)

FEATURES

- **Capacity:** Polyether Polyurethane has excellent carrying capacity - loads to 1500 lbs.
- **Noise Level:** Crown shape affords an easy-rolling, quiet operation. Quieter than phenolics, polyolefin, nylon and other polyurethanes.
- **Floor Protective:** Non-marking tread with no separation problems.
- **Resiliency:** The Polyether Polyurethane tread cushions the load and rolls over obstructions easier. Rebounds up to 80% compared to 35% for typical polyester polyurethane. No flat spotting under suggested load and temperature conditions.
- **Abrasion Resistance:** Greater service life and resistance to chunking, cutting and abrasive wear. Tests indicate that 10 months on rough concrete will wear less than 0.050" compared to 1.0" for macerated canvas phenolic.
- **Chemical resistance:** Polyether Polyurethane is completely washable (Steam Cleanable) and resistant to most chemicals. Suitable for use in all environments with the exception of continuous exposure to strong acids, strong bases, aromatic hydrocarbons, chlorinated solvents.
- **Concentrated Load:** 4000 lbs applied on the running surface with a 1" dia. indenter to simulate a round obstacle on a work floor produced no permanent deformation.

For Wet Applications:

Stainless steel sealed precision bearings are recommended along with stainless steel rigs.

- Solid one-piece design
- Unbreakable & Steam Cleanable
- Ratings to 800 lbs.



(KR) Blue Kryptonite™
Wheel w/ Precision
Ball Bearing



(KR/HT) Gray Kryptonite™
Wheel w/ Precision
Ball Bearing



(KR/ULHT) Black Kryptonite™
Wheel w/ Precision
Ball Bearing

Dia. (in.)	Width (in.)	Capacity (lbs.)	Hub Length (in.)	Bearing ID (in.)	Wt. (lbs.)	Part Number*
3	1-1/4	300	1-9/16	1/2	1	KR-P-0312-08
4	1-1/4	300	1-9/16	1/2	1-1/2	KR-P-0412-08
5	1-1/4	300	1-9/16	1/2	2	KR-P-0512-08
4	2	500	2-7/16	1/2	2	KR-P-0420-08
5	2	600	2-7/16	1/2	2-1/2	KR-P-0520-08
6	2	700	2-7/16	1/2	3	KR-P-0620-08
8	2	800	2-7/16	1/2	4	KR-P-0820-08

*P= Precision Ball Bearing (Available in Stainless Steel)

*R= Roller Bearing (Available in Stainless Steel)

For Kryptonite™ High Temp, change "KR" to "KR/HT" in the part number.

For Kryptonite™ Ultra High Temp, change "KR" to "KR/UL/HT" in the part number.

END CAPS ARE PROVIDED WITH EACH WHEEL TO FIT AXLE SIZE.

(KR) (BLUE) KRYPTONIC™ WHEEL

- **Average Hardness:** 58 SHORE D Durometer
- **Tensile Strength:** 4000 psi
- **Temperature Range:** Up to 250 ° F (1/2 hour)
- **Tread Coloration:** (KR) Blue Wheels

(KR/HT) HIGH TEMP (GRAY) KRYPTONIC™ WHEEL

- **Average Hardness:** 60 SHORE D Durometer
- **Tensile Strength:** 4145 psi
- **Temperature Range:** Up to 250 ° F (5-6 hours)
- **Tread Coloration:** (KR/HT) Gray Wheels

(KR/ULHT) ULTRA HIGH TEMP (BLACK) KRYPTONIC™ WHEEL

- **Average Hardness:** 60 SHORE D Durometer
- **Tensile Strength:** 4600 psi
- **Temperature Range:** Up to 270 ° F (5-6 hours)
- **Tread Coloration:** (KR/UL/HT) Black Wheels

Applications

Canneries, Cheese Factories, Meat Packing Plants, Food Processing, Slaughter Houses, Fish Plants, Laboratory Research

Wheels are molded of heavy macerated or chopped canvas, impregnated with phenolic resin and accurately formed in close fitting molds under high pressure and temperature. **Acorn™ has Nylacron™ a wheel with precision bearings (standard or stainless steel) to replace any Phenolic or Texite wheel.**

FEATURES:

FLOOR PROTECTIVE: Non-marking.

EXCELLENT LOAD CARRYING Characteristics.

HIGHLY SHOCK RESISTANT.

RESISTANT: to water, grease, oil, animal fats, most acids and alkali solutions.

USABLE TEMPERATURE RANGE: Continuous operating temperatures from -65 deg. F. to +250 deg. F. and intermittent duty to 300 deg. F. See special purpose Texite wheels for temperatures exceeding these limits.

SEALS: All wheels that have 1-3/16" bore and either a 1-5/8" or 2-3/16" hub length equipped with 3/4" straight roller bearings have as a standard feature nylon seal retaining/thrust washers which add 3/16" to hub length and are supplied with 1/2" I.D. hardened spanner bushing.

OPTIONAL FEATURES AVAILABLE:

Most sizes of straight roller or tapered roller bearings can be furnished with seals. Material can be machined to custom configurations for your special application.

LUBRICATION

All wheels with 1-5/8" and 2-3/16" hub length are nominally lubricated through hollow axle. These wheels can be fitted with zerk fittings where specified. The following wheels must be lubricated through hollow axle or be supplied with prelubricated sealed bearings:

All 3", 3-1/4", 3-1/2", 4", 5" x (1-1/4" and 1-1/2"), 6" x 5", 8" x 6", 10" x 6", 12" x 4", as well as TH wheels.



TM-06501-16



TM-12501-16



SPECIAL PURPOSE TEXITE WHEELS

Straight Sided - Heavier Dub (Prefix TH) These wheels are molded with standard compound.

Laminated Tread Wheels (Prefix TL) These wheels have continuously wound tread with macerated center. Highly resistant to chipping or fraying. Resistance to shock or impact is approximately 35% greater than macerated tread wheels.

Sanitary Texite (Prefix TS) For wheels meeting the food industry sanitation code.

Heat Resistant (Prefix TR) Continuous operation to a maximum of 475 deg. F. and intermittent to 525 deg. F. For capacity rating, consult factory with specifics of application.

When it comes to phenolic resin wheels we offer one of the widest selections for our customers. The most commonly known phenolic resin wheel is the Texite which is used in 90 percent of the phenolic applications.

Phenolic wheels are used where there is high loading, a need for floor protection and ease of movement.

The material itself is made up of cotton duck which is macerated or shredded as a filler. The canvas is then impregnated with a phenolic resin and shaped into a preform of a wheel. The preform is then inserted into a mold and subjected to high heat and pressure for a predetermined time. The wheel that is produced is complete except for a slight cleanup of the mold parting line on the tread (this is the unpolished area of the tread).

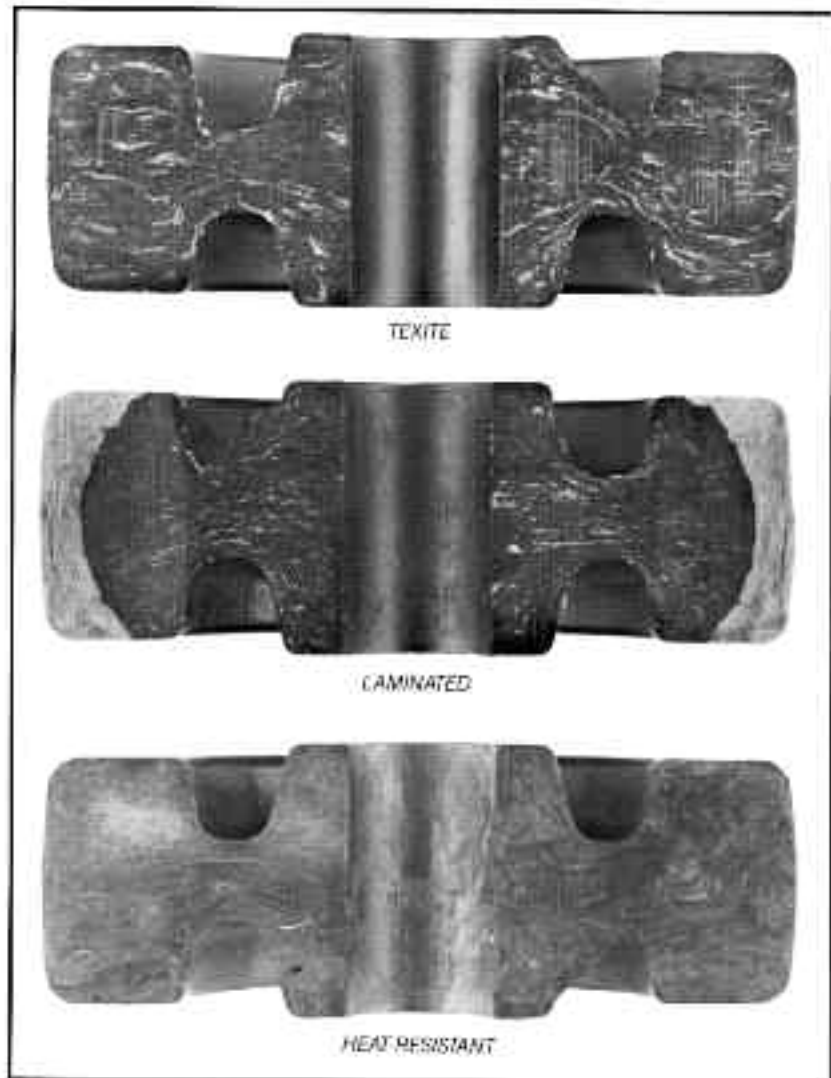
Texite wheels are 25-50 percent lighter than cast iron wheels of the same capacity. Hardness range is 90-95 Shore D, Durometer. To more easily describe the hardness, compare it to a piece of hard maple flooring.

The material is quieter than metal when used as truck wheels - a little more noisy than cushion rubber. It has considerable shock absorbing qualities because it has high impact strength. Texite can be used in wet conditions or applications where there may be mild acids, greases, oils, animal fat or blood. They are affected in various degrees by sulphuric or muriatic acid and some alkali solutions.

The wheel is considered floor protective as the thick tread section is designed to wear before the floor does. A wheel may start out to be 5 inches in diameter and after years of service could be measured at 4.5 or less. This is normal for this type of compound. The phenolic is softer than the cement, therefore it takes the wear. The old adage is "it's cheaper to replace a wheel than a floor."

Laminated Texite

When wheel wear or capacity of the standard texite is not acceptable for your application, we offer a laminated tread texite. This wheel uses the same macerated canvas, phenolic compound for the core, however the tread area is a different construction. The tread is wound with a continuous strip of canvas which has been impregnated with the phenolic resin.



This wrap of canvas allows the wheel a greater load capacity and is more resistant to fraying or chipping when operating on ordinary floors.

The laminated texite is a premium wheel in performance and price. It should outwear the standard texite 3 or 4 times.

The laminated tread can be identified as a golden wrap on the tread of the wheel. The molded canvas duck will be quite usable.

Temperature Resistant Texite

When the standard cotton duck is subjected to high heat, over 250 degrees for long periods, the cotton duck starts to break down and disintegrate. This will cause the wheel to lose its impact capabilities and fail.

In cases where heat will be present for long periods of time we suggest the "TR" wheel. This wheel uses the same phenolic resin for the wheel, however the cotton filler material is substituted for a material that will take higher heat before breaking down. The TR wheel is designated as a reddish pink in color and will take heat to 475 degrees.

The phenolic wheel is one of the most popular and inexpensive wheels in the industry today. With its popularity there have been attempts at lowering the cost even more. The three wheels that we have discussed all used the same phenolic resin compound. The expense of the wheel was determined by popularity and filler material. We have found that the standard Texite® material compound offers your customers the best product benefit/cost ratio.

Dia. in (mm)	Width in (mm)	Capacity** lb (kg)	Wheel Hub Length in (mm)	Bore or Bearing ID in (mm)	Weight lb (kg)	Part Number	Bearing Options
3 (76.2)	1-1/4 (31.8)	300 (136.4)	1-3/8 (34.9)	1-1/16 (27.0)	1/2 (0.2)	TM-03000-17	00 = Wheel ID Bore
3 (76.2)	1-1/4 (31.8)	300 (136.4)	1-3/8 (34.9)	1/2 (12.7)	1/2 (0.2)	TM-03001-08	01, 23, 31, 41, 51
3-1/4 (82.6)	1-1/2 (41.3)	600 (272.7)	1-5/8 (41.3)	1-3/16 (30.2)	3/4 (0.3)	TM-03100-19	00 = Wheel ID Bore
3-1/4 (82.6)	1-1/2 (41.3)	600 (272.7)	1-5/8 (41.3)	1/2 (12.7)	3/4 (0.3)	TM-03101-08	01, 23, 31, 41, 51
3-1/4 (82.6)	1-1/2 (41.3)	600 (272.7)	1-5/8 (41.3)	5/8 (15.9)	3/4 (0.3)	TM-03101-10	01, 23, 31, 41, 51
3-1/4 (82.6)	1-1/2 (41.3)	600 (272.7)	1-5/8 (41.3)	3/4 (19.1)	3/4 (0.3)	TM-03101-12	01, 23, 31, 41, 51
3-1/4 (82.6)	2 (50.8)	700 (318.2)	1-5/8 (41.3)	1-3/16 (30.2)	1-1/4 (0.6)	TM-03200-19	00 = Wheel ID Bore
3-1/4 (82.6)	2 (50.8)	700 (318.2)	1-5/8 (41.3)	1/2 (12.7)	1-1/4 (0.6)	TM-03201-08	01, 23, 31, 41, 51
3-1/4 (82.6)	2 (50.8)	700 (318.2)	1-3/8 (34.9)	5/8 (15.9)	1-1/4 (0.6)	TM-03201-10	01, 23, 31, 41, 51
3-1/4 (82.6)	2 (50.8)	700 (318.2)	1-3/8 (34.9)	3/4 (19.1)	1-1/4 (0.6)	TM-03201-12#	01, 23, 31, 41, 51
3-1/2 (88.9)	1-1/4 (31.8)	300 (136.4)	1-3/8 (34.9)	1-3/16 (30.2)	1/2 (0.6)	TM-03X00-17	00 = Wheel ID Bore
3-1/2 (88.9)	1-1/4 (31.8)	300 (136.4)	1-3/8 (34.9)	1/2 (12.7)	1/2 (0.6)	TM-03X01-08	01, 23, 31, 41, 51
4 (101.6)	1-1/4 (31.8)	300 (136.4)	1-3/8 (34.9)	1-3/16 (30.2)	3/4 (0.3)	TM-04000-17	00 = Wheel ID Bore
4 (101.6)	1-1/4 (31.8)	300 (136.4)	1-3/8 (34.9)	1/2 (12.7)	3/4 (0.3)	TM-04001-08	01, 23, 31, 41, 51
4 (101.6)	1-1/2 (41.3)	600 (272.7)	1-3/8 (34.9)	1-3/16 (30.2)	1 (0.5)	TM-04100-19	00 = Wheel ID Bore
4 (101.6)	1-1/2 (41.3)	600 (272.7)	1-3/8 (34.9)	1/2 (12.7)	1 (0.5)	TM-04101-08	01, 23, 31, 41, 51
4 (101.6)	1-1/2 (41.3)	600 (272.7)	1-3/8 (34.9)	5/8 (15.9)	1 (0.5)	TM-04101-10	01, 23, 31, 41, 51
4 (101.6)	1-1/2 (41.3)	600 (272.7)	1-3/8 (34.9)	3/4 (19.1)	1 (0.5)	TM-04101-12	01, 23, 31, 41, 51
4 (101.6)	2 (50.8)	800 (363.6)	2-3/16 (55.6)	1-3/16 (30.2)	1-1/2 (0.7)	TM-04200-19	00 = Wheel ID Bore
4 (101.6)	2 (50.8)	800 (363.6)	2-3/16 (55.6)	1/2 (12.7)	1-1/2 (0.7)	TM-04201-08	01, 23, 31, 41, 51
4 (101.6)	2 (50.8)	800 (363.6)	2-3/16 (55.6)	5/8 (15.9)	1-1/2 (0.7)	TM-04201-10	01, 23, 31, 41, 51
4 (101.6)	2 (50.8)	800 (363.6)	2-3/16 (55.6)	3/4 (19.1)	1-1/2 (0.7)	TM-04201-12#	01, 23, 31, 41, 51
4 (101.6)	2 (50.8)	1,000 (454.5)	2-3/16 (55.6)	1-3/16 (30.2)	1-3/4 (0.8)	TH-04200-19	00 = Wheel ID Bore
4 (101.6)	2 (50.8)	1,000 (454.5)	2-3/16 (55.6)	1/2 (12.7)	1-3/4 (0.8)	TH-04201-08	01, 23, 31, 41, 51
4 (101.6)	2 (50.8)	1,000 (454.5)	2-3/16 (55.6)	5/8 (15.9)	1-3/4 (0.8)	TH-04201-10	01, 23, 31, 41, 51
4 (101.6)	2 (50.8)	1,000 (454.5)	2-3/16 (55.6)	3/4 (19.1)	1-3/4 (0.8)	TH-04201-12#	01, 23, 31, 41, 51
5 (127.0)	1-1/4 (31.8)	300 (136.4)	1-3/8 (34.9)	1-1/16 (27.0)	1-1/4 (0.6)	TM-05100-17	00 = Wheel ID Bore
5 (127.0)	1-1/4 (31.8)	300 (136.4)	1-3/8 (34.9)	1/2 (12.7)	1-1/4 (0.6)	TM-05001-08	01, 23, 31, 41, 51
5 (127.0)	1-1/2 (41.3)	600 (272.7)	1-5/8 (41.3)	1-3/16 (30.2)	1-1/2 (0.7)	TM-05100-19	00 = Wheel ID Bore
5 (127.0)	1-1/2 (41.3)	600 (272.7)	1-5/8 (41.3)	1/2 (12.7)	1-1/2 (0.7)	TM-05101-08	01, 23, 31, 41, 51
5 (127.0)	1-1/2 (41.3)	600 (272.7)	1-5/8 (41.3)	5/8 (15.9)	1-1/2 (0.7)	TM-05101-10	01, 23, 31, 41, 51
5 (127.0)	1-1/2 (41.3)	600 (272.7)	1-5/8 (41.3)	3/4 (19.1)	1-1/2 (0.7)	TM-05101-12	01, 23, 31, 41, 51
5 (127.0)	2 (50.8)	1,000 (454.5)	2-3/16 (55.6)	1-3/16 (30.2)	1-3/4 (0.8)	TM-05200-19	00 = Wheel ID Bore
5 (127.0)	2 (50.8)	1,000 (454.5)	2-3/16 (55.6)	1/2 (12.7)	1-3/4 (0.8)	TM-05201-08	01, 23, 31, 41, 51
5 (127.0)	2 (50.8)	1,000 (454.5)	2-3/16 (55.6)	5/8 (15.9)	1-3/4 (0.8)	TM-05201-10	01, 23, 31, 41, 51
5 (127.0)	2 (50.8)	1,000 (454.5)	2-3/16 (55.6)	3/4 (19.1)	1-3/4 (0.8)	TM-05201-12	01, 23, 31, 41, 51
5 (127.0)	2 (50.8)	1,200 (545.4)	2-3/16 (55.6)	1-3/16 (30.2)	2-1/4 (1.0)	TH-05200-19	00 = Wheel ID Bore
5 (127.0)	2 (50.8)	1,200 (545.4)	2-3/16 (55.6)	1/2 (12.7)	2-1/4 (1.0)	TH-05201-08	01, 23, 31, 41, 51
5 (127.0)	2 (50.8)	1,200 (545.4)	2-3/16 (55.6)	5/8 (15.9)	2-1/4 (1.0)	TH-05201-10	01, 23, 31, 41, 51
5 (127.0)	2 (50.8)	1,200 (545.4)	2-3/16 (55.6)	3/4 (19.1)	2-1/4 (1.0)	TH-05201-12	01, 23, 31, 41, 51

**Capacity Rating is for manual operation. Rating shown is for highest rated capacity bearing.

= Wheels are c/w spanner bushing and nylon seal retaining/thrust washers.

Hub length of tapered roller bearing wheel shown is measured over spacer tubes.

Hub length of ball bearing wheels 1/4" greater than shown and capacity rating not to exceed 900#.

Dia. in (mm)	Width in (mm)	Capacity** lb (kg)	Wheel Hub Length in (mm)	Bore or Bearing ID in (mm)	Weight lb (kg)	Part Number	Bearing Options
6 (152.4)	1-1/2 (41.3)	800 (363.6)	1-5/8 (41.3)	1-3/16 (30.2)	1-1/2 (0.7)	TM-06100-19	00 = Wheel ID Bore
6 (152.4)	1-1/2 (41.3)	800 (363.6)	1-5/8 (41.3)	1/2 (12.7)	1-1/2 (0.7)	TM-06101-08	01, 23, 31, 41, 51
6 (152.4)	1-1/2 (41.3)	800 (363.6)	1-5/8 (41.3)	5/8 (15.9)	1-1/2 (0.7)	TM-06101-10	01, 23, 31, 41, 51
6 (152.4)	1-1/2 (41.3)	800 (363.6)	1-5/8 (41.3)	3/4 (19.1)	1-1/2 (0.7)	TM-06101-12	01, 23, 31, 41, 51
6 (152.4)	2 (50.8)	1,200 (545.4)	2-3/16 (55.6)	1-3/16 (30.2)	2-1/2 (1.1)	TM-06200-19	00 = Wheel ID Bore
6 (152.4)	2 (50.8)	1,200 (545.4)	2-3/16 (55.6)	1/2 (12.7)	2-1/2 (1.1)	TM-06201-08	01, 23, 31, 41, 51
6 (152.4)	2 (50.8)	1,200 (545.4)	2-3/16 (55.6)	5/8 (15.9)	2-1/2 (1.1)	TM-06201-10	01, 23, 31, 41, 51
6 (152.4)	2 (50.8)	1,200 (545.4)	2-3/16 (55.6)	3/4 (19.1)	2-1/2 (1.1)	TM-06201-12	01, 23, 31, 41, 51
6 (152.4)	2 (50.8)	1,500 (545.4)	2-3/16 (55.6)	1-3/16 (30.2)	3 (1.4)	TH-06200-19	00 = Wheel ID Bore
6 (152.4)	2 (50.8)	1,500 (545.4)	2-3/16 (55.6)	1/2 (12.7)	3 (1.4)	TH-06201-08	01, 23, 31, 41, 51
6 (152.4)	2 (50.8)	1,500 (545.4)	2-3/16 (55.6)	5/8 (15.9)	3 (1.4)	TH-06201-10	01, 23, 31, 41, 51
6 (152.4)	2 (50.8)	1,500 (545.4)	2-3/16 (55.6)	3/4 (19.1)	3 (1.4)	TH-06201-12	01, 23, 31, 41, 51
6 (152.4)	2-1/2 (63.5)	1,600 (727.2)	3-1/4 (82.6)	1-15/16 (49.2)	4-1/2 (2)	TM-06400-31	00 = Wheel ID Bore
6 (152.4)	2-1/2 (63.5)	1,600 (727.2)	3-1/4 (82.6)	1 (25.4)	4-1/2 (2)	TM-06401-16	01 = Roller Bearing
6 (152.4)	2-1/2 (63.5)	1,600 (727.2)	3-1/4 (82.6)	1-1/4 (31.8)	4-1/2 (2)	TM-06401-20	01 = Roller Bearing
6 (152.4)	2-1/2 (63.5)	1,600 (727.2)	2-3/4 (69.9)	1-15/16 (49.2)	4-1/4 (1.9)	TM-06400-31	00 = Wheel ID Bore
6 (152.4)	2-1/2 (63.5)	1,600 (727.2)	2-3/4 (69.9)	1 (25.4)	4-1/4 (1.9)	TM-06405-16	01 = Roller Bearing
6 (152.4)	2-1/2 (63.5)	1,600 (727.2)	2-3/4 (69.9)	1-3/16 (30.2)	3-1/2 (1.6)	TM-06400-31	00 = Wheel ID Bore
6 (152.4)	2-1/2 (63.5)	1,600 (727.2)	2-3/4 (69.9)	3/4 (19.1)	3-1/2 (1.6)	TM-06407-12	01 = Roller Bearing
6 (152.4)	2-1/2 (63.5)	1,600 (727.2)	3-1/2 (88.9)	1-15/16 (49.2)	4-1/4 (1.9)	TM-06400-31	00 = Wheel ID Bore
6 (152.4)	2-1/2 (63.5)	1,600 (727.2)	3-1/2 (88.9)	3/4 (19.1)	4-1/4 (1.9)	TM-06409-12	07 = Taper Bearing
6 (152.4)	3 (76.2)	2,000 (909.0)	3-1/4 (82.6)	1-15/16 (49.2)	5 (2.3)	TM-06500-31	00 = Wheel ID Bore
6 (152.4)	3 (76.2)	2,000 (909.0)	3-1/4 (82.6)	1 (25.4)	5 (2.3)	TM-06501-16	01 = Roller Bearing
6 (152.4)	3 (76.2)	2,000 (909.0)	3-1/4 (82.6)	1-1/4 (31.8)	5 (2.3)	TM-06501-20	01 = Roller Bearing
6 (152.4)	3 (76.2)	2,000 (909.0)	3-1/2 (88.9)	1-15/16 (49.2)	4-3/4 (2.2)	TM-06500-31	00 = Wheel ID Bore
6 (152.4)	3 (76.2)	2,000 (909.0)	3-1/2 (88.9)	3/4 (19.1)	4-3/4 (2.2)	TM-06509-12	09 = Taper Bearing
6 (152.4)	3 (76.2)	2,000 (909.0)	3-1/2 (88.9)	1.98 (50.3)	4-3/4 (2.2)	TM-06500-1.98	1.98 = Wheel ID Bore
6 (152.4)	3 (76.2)	2,000 (909.0)	3-1/2 (88.9)	1 (25.4)	4-3/4 (2.2)	TM-06509-16	09 = Taper Bearing
6 (152.4)	3 (76.2)	2,000 (909.0)	3-1/2 (88.9)	2.33 (59.1)	4-3/4 (2.2)	TM-06500-2.33	2.33 = Wheel ID Bore
6 (152.4)	3 (76.2)	2,000 (909.0)	3-1/2 (88.9)	1-1/4 (31.8)	4-3/4 (2.2)	TM-06509-20	09 = Taper Bearing
6 (152.4)	5 (127.0)	8,000 (3636.0)	5-1/2 (139.7)	2-7/16 (61.9)	11-1/4 (5.1)	TL-06800-39	39 = Wheel ID Bore
6 (152.4)	5 (127.0)	8,000 (3636.0)	5-1/2 (139.7)	1 (25.4)	11-1/4 (5.1)	TL-06809-16	09 = Taper Bearing
6 (152.4)	5 (127.0)	8,000 (3636.0)	5-1/2 (139.7)	1-1/4 (31.8)	11-1/4 (5.1)	TL-06809-20	09 = Taper Bearing
7 (177.8)	3 (76.2)	2,200 (999.9)	3-1/4 (82.6)	1-15/16 (49.2)	6-1/2 (3.0)	TM-07500-31	31 = Wheel ID Bore
7 (177.8)	3 (76.2)	2,200 (999.9)	3-1/4 (82.6)	1 (25.4)	6-1/2 (3.0)	TM-07501-16	01 = Roller Bearing
7 (177.8)	3 (76.2)	2,200 (999.9)	3-1/4 (82.6)	1-1/4 (31.8)	6-1/2 (3.0)	TM-07501-20	01 = Roller Bearing
7 (177.8)	3 (76.2)	2,200 (999.9)	3-1/2 (88.9)	1-15/16 (49.2)	6-1/4 (2.8)	TM-07500-31	31 = Wheel ID Bore
7 (177.8)	3 (76.2)	2,200 (999.9)	3-1/2 (88.9)	3/4 (19.1)	6-1/4 (2.8)	TM-07509-12	09 = Taper Bearing
7 (177.8)	3 (76.2)	2,200 (999.9)	3-1/2 (88.9)	1.98 (50.3)	6-1/4 (2.8)	TM-07500-1.98	1.98 = Wheel ID Bore
7 (177.8)	3 (76.2)	2,200 (999.9)	3-1/2 (88.9)	1 (25.4)	6-1/4 (2.8)	TM-07509-16	09 = Taper Bearing
7 (177.8)	3 (76.2)	2,200 (999.9)	3-1/2 (88.9)	2.33 (59.1)	6-1/4 (2.8)	TM-07500-2.33	00 = Wheel ID Bore
7 (177.8)	3 (76.2)	2,200 (999.9)	3-1/2 (88.9)	1-1/4 (31.8)	6-1/4 (2.8)	TM-07509-20	09 = Taper Bearing

**Capacity Rating is for manual operation. Rating shown is for highest rated capacity bearing.

= Wheels are c/w spanner bushing and nylon seal retaining/thrust washers.

Hub length of tapered roller bearing wheel shown is measured over spacer tubes.

Hub length of ball bearing wheels 1/4" greater than shown and capacity rating not to exceed 900#.

Dia. in (mm)	Width in (mm)	Capacity** lb (kg)	Wheel Hub Length in (mm)	Bore or Bearing ID in (mm)	Weight lb (kg)	Part Number	Bearing Options
8 (203.2)	2 (50.8)	1,400 (636.3)	2-3/16 (55.6)	1-3/16 (30.2)	4 (1.8)	TM-08200-19	19 = Wheel ID Bore
8 (203.2)	2 (50.8)	1,400 (636.3)	2-3/16 (55.6)	5/8 (15.9)	4 (1.8)	TM-08201-10	01 = Roller Bearing
8 (203.2)	2 (50.8)	1,400 (636.3)	2-3/16 (55.6)	3/4 (19.1)	4 (1.8)	TM-08201-12	01 = Roller Bearing
8 (203.2)	2-1/2 (63.5)	2,000 (909.0)	3-1/4 (82.6)	1-15/16 (49.2)	6-1/4 (2.8)	TM-08400-31	31 = Wheel ID Bore
8 (203.2)	2-1/2 (63.5)	2,000 (909.0)	3-1/4 (82.6)	1 (25.4)	6-1/4 (2.8)	TM-08401-16	01 = Roller Bearing
8 (203.2)	2-1/2 (63.5)	2,000 (909.0)	3-1/4 (82.6)	1-1/4 (31.8)	6-1/4 (2.8)	TM-08401-20	01 = Roller Bearing
8 (203.2)	2-1/2 (63.5)	1,800 (818.1)	2-3/4 (69.9)	1-15/16 (49.2)	5-3/4 (2.6)	TM-08400-31	31 = Wheel ID Bore
8 (203.2)	2-1/2 (63.5)	1,800 (818.1)	2-3/4 (69.9)	1 (24.5)	5-3/4 (2.6)	TM-08405-16	05 = Roller Bearing
8 (203.2)	2-1/2 (63.5)	1,600 (727.2)	2-3/4 (69.9)	1-3/16 (30.2)	5-1/4 (2.4)	TM-08400-19	31 = Wheel ID Bore
8 (203.2)	2-1/2 (63.5)	1,600 (727.2)	2-3/4 (69.9)	3/4 (19.1)	5-1/4 (2.4)	TM-08407-12	07 = Roller Bearing
8 (203.2)	2-1/2 (63.5)	2,000 (909.0)	3-1/2 (88.9)	1-15/16 (49.2)	6 (2.7)	TM-08400-31	31 = Wheel ID Bore
8 (203.2)	2-1/2 (63.5)	2,000 (909.0)	3-1/2 (88.9)	3/4 (19.1)	6 (2.7)	TM-08409-12	09 = Taper Bearing
8 (203.2)	2-1/2 (63.5)	2,000 (909.0)	3-1/2 (88.9)	1.98 (50.3)	6 (2.7)		
8 (203.2)	2-1/2 (63.5)	2,000 (909.0)	3-1/2 (88.9)	1 (25.4)	6 (2.7)	TM-08409-16	09 = Taper Bearing
8 (203.2)	3 (76.2)	2,500 (1136.3)	3-1/4 (82.6)	1-15/16 (49.2)	7-1/4 (3.3)	TM-08500-31	00 = Wheel ID Bore
8 (203.2)	3 (76.2)	2,500 (1136.3)	3-1/4 (82.6)	1 (25.4)	7-1/4 (3.3)	TM-08501-16	01 = Roller Bearing
8 (203.2)	3 (76.2)	2,500 (1136.3)	3-1/4 (82.6)	1-1/4 (31.8)	7-1/4 (3.3)	TM-08501-20	01 = Roller Bearing
8 (203.2)	3 (76.2)	2,500 (1136.3)	3-1/2 (88.9)	1-15/16 (49.2)	7 (3.2)	TM-08500-31	31 = Wheel ID Bore
8 (203.2)	3 (76.2)	2,500 (1136.3)	3-1/2 (88.9)	3/4 (19.1)	7 (3.2)	TM-08509-12	09 = Taper Bearing
8 (203.2)	3 (76.2)	2,500 (1136.3)	3-1/2 (88.9)	1.98 (50.3)	7 (3.2)		
8 (203.2)	3 (76.2)	2,500 (1136.3)	3-1/2 (88.9)	1 (25.4)	7 (3.2)	TM-08509-16	09 = Taper Bearing
8 (203.2)	3 (76.2)	2,500 (1136.3)	3-1/2 (88.9)	2.33 (59.1)	7 (3.2)		
8 (203.2)	3 (76.2)	2,500 (1136.3)	3-1/2 (88.9)	1-1/4 (31.8)	7 (3.2)	TM-08509-20	09 = Taper Bearing
8 (203.2)	6 (152.4)	5,000 (2272.5)	6-1/2 (165.1)	2.33 (59.1)	15-1/2 (7.0)	TM-08900-2.33	2.33 = Wheel ID Bore
8 (203.2)	6 (152.4)	5,000 (2272.5)	6-1/2 (165.1)	1-1/4 (31.8)	15-1/2 (7.0)	TM-08909-20	09 = Taper Bearing
10 (254.0)	2-1/2 (63.5)	2,500 (1136.3)	3-1/4 (82.6)	1-15/16 (49.2)	7-3/4 (3.5)	TM-10400-31	31 = Wheel ID Bore
10 (254.0)	2-1/2 (63.5)	2,500 (1136.3)	3-1/4 (82.6)	1 (25.4)	7-3/4 (3.5)	TM-10401-16	01 = Roller Bearing
10 (254.0)	2-1/2 (63.5)	2,500 (1136.3)	3-1/4 (82.6)	1-1/4 (31.8)	7-3/4 (3.5)	TM-10401-20	01 = Roller Bearing
10 (254.0)	2-1/2 (63.5)	1,800 (818.1)	2-3/4 (69.9)	1-15/16 (49.2)	7-1/2 (3.4)	TM-10400-31	31 = Wheel ID Bore
10 (254.0)	2-1/2 (63.5)	1,800 (818.1)	2-3/4 (69.9)	1 (25.4)	7-1/2 (3.4)	TM-10405-16	05 = Roller Bearing
10 (254.0)	2-1/2 (63.5)	1,600 (727.2)	2-3/4 (69.9)	1-3/16 (30.2)	7 (3.2)	TM-10400-19	19 = Wheel ID Bore
10 (254.0)	2-1/2 (63.5)	1,600 (727.2)	2-3/4 (69.9)	3/4 (19.1)	7 (3.2)	TM-10407-12	07 = Roller Bearing
10 (254.0)	3 (76.2)	2,600 (1181.7)	3-1/4 (82.6)	1-15/16 (49.2)	9-3/4 (4.4)	TM-10500-31	31 = Wheel ID Bore
10 (254.0)	3 (76.2)	2,600 (1181.7)	3-1/4 (82.6)	1 (25.4)	9-3/4 (4.4)	TM-10501-16	01 = Roller Bearing
10 (254.0)	3 (76.2)	2,600 (1181.7)	3-1/4 (82.6)	1-1/4 (31.8)	9-3/4 (4.4)	TM-10501-20	01 = Roller Bearing
10 (254.0)	3 (76.2)	2,600 (1181.7)	3-1/2 (88.9)	1-15/16 (49.2)	9-1/2 (4.3)	TM-10500-31	31 = Wheel ID Bore
10 (254.0)	3 (76.2)	2,600 (1181.7)	3-1/2 (88.9)	3/4 (19.1)	9-1/2 (4.3)	TM-10509-12	09 = Taper Bearing
10 (254.0)	3 (76.2)	2,600 (1181.7)	3-1/2 (88.9)	1.98 (50.3)	9-1/2 (4.3)	TM-10500-1.98	1.98 = Wheel ID Bore
10 (254.0)	3 (76.2)	2,600 (1181.7)	3-1/2 (88.9)	1 (25.4)	9-1/2 (4.3)	TM-10509-16	09 = Taper Bearing
10 (254.0)	3 (76.2)	2,600 (1181.7)	3-1/2 (88.9)	2.33 (59.1)	9-1/2 (4.3)	TM-10500-2.33	2.33 = Wheel ID Bore
10 (254.0)	3 (76.2)	2,600 (1181.7)	3-1/2 (88.9)	1-1/4 (31.8)	9-1/2 (4.3)	TM-10509-20	09 = Taper Bearing
10 (254.0)	6 (152.4)	5,200 (2363.4)	6-1/2 (165.1)	2.33 (59.1)	20-1/2 (9.3)	TM-10500-2.33	2.33 = Wheel ID Bore
10 (254.0)	6 (152.4)	5,200 (2363.4)	6-1/2 (165.1)	1-1/4 (31.8)	20-1/2 (9.3)	TM-10909-20	09 = Taper Bearing

**Capacity Rating is for manual operation. Rating shown is for highest rated capacity bearing.

= Wheels are c/w spanner bushing and nylon seal retaining/thrust washers.

Hub length of tapered roller bearing wheel shown is measured over spacer tubes.

Dia. in (mm)	Width in (mm)	Capacity** lb (kg)	Wheel Hub Length in (mm)	Bore or Bearing ID in (mm)	Weight lb (kg)	Part Number	Bearing Options
12 (304.8)	2-1/2 (63.5)	3,000 (1363.5)	3-1/4 (82.6)	1-15/16 (49.2)	11-3/4 (5.3)	TM-12400-31	31 = Wheel ID Bore
12 (304.8)	2-1/2 (63.5)	3,000 (1363.5)	3-1/4 (82.6)	1 (25.4)	11-3/4 (5.3)	TM-12401-16	01 = Roller Bearing
12 (304.8)	2-1/2 (63.5)	3,000 (1363.5)	3-1/4 (82.6)	1-1/4 (31.8)	11-3/4 (5.3)	TM-12401-20	01 = Roller Bearing
12 (304.8)	3 (76.2)	1,800 (818.1)	2-3/4 (69.9)	1-15/16 (49.2)	11-1/4 (5.1)	TM-12500-31	31 = Wheel ID Bore
12 (304.8)	3 (76.2)	1,800 (818.1)	2-3/4 (69.9)	1 (24.5)	11-1/4 (5.1)	TM-12505-16	01 = Roller Bearing
12 (304.8)	3 (76.2)	3,500 (1590.8)	3-1/4 (82.6)	1-15/16 (49.2)	12-3/4 (5.8)	TM-12500-31	31 = Wheel ID Bore
12 (304.8)	3 (76.2)	3,500 (1590.8)	3-1/4 (82.6)	1 (25.4)	12-3/4 (5.8)	TM-12501-16	01 = Roller Bearing
12 (304.8)	3 (76.2)	3,500 (1590.8)	3-1/4 (82.6)	1-1/4 (31.8)	12-3/4 (5.8)	TM-12501-20	01 = Roller Bearing
12 (304.8)	3 (76.2)	3,500 (1590.8)	3-1/2 (88.9)	1-15/16 (49.2)	12-1/2 (5.7)	TM-12500-31	31 = Wheel ID Bore
12 (304.8)	3 (76.2)	3,500 (1590.8)	3-1/2 (88.9)	3/4 (19.1)	12-1/2 (5.7)	TM-12509-12	09 = Taper Bearing
12 (304.8)	3 (76.2)	3,500 (1590.8)	3-1/2 (88.9)	1.98 (50.3)	12-1/2 (5.7)	TM-12509-1.98	1.98 = Wheel ID Bore
12 (304.8)	3 (76.2)	3,500 (1590.8)	3-1/2 (88.9)	1 (25.4)	12-1/2 (5.7)	TM-12509-16	09 = Taper Bearing
12 (304.8)	3 (76.2)	3,500 (1590.8)	3-1/2 (88.9)	2.33 (59.1)	12-1/2 (5.7)	TM-12509-2.33	2.33 = Wheel ID Bore
12 (304.8)	3 (76.2)	3,500 (1590.8)	3-1/2 (88.9)	1-1/4 (31.8)	12-1/2 (5.7)	TM-12509-20	09 = Taper Bearing
12 (304.8)	3-1/2 (88.9)	4,000 (1818.0)	4-1/4 (108.0)	2-7/16 (61.9)	23-1/2 (10.7)	TM-12600-39	39 = Wheel ID Bore
12 (304.8)	3-1/2 (88.9)	4,000 (1818.0)	4-1/4 (108.0)	1-1/4 (31.8)	23-1/2 (10.7)	TM-12601-20	01 = Roller Bearing
12 (304.8)	3-1/2 (88.9)	4,000 (1818.0)	4-1/4 (108.0)	1-1/2 (38.1)	23-1/2 (10.7)	TM-12601-24	01 = Roller Bearing
12 (304.8)	3-1/2 (88.9)	4,000 (1818.0)	4-1/2 (114.3)	2-7/16 (61.9)	23 (10.5)	TM-12600-39	31 = Wheel ID Bore
12 (304.8)	3-1/2 (88.9)	4,000 (1818.0)	4-1/2 (114.3)	1-1/4 (31.8)	23 (10.5)	TM-12609-20	09 = Taper Bearing
12 (304.8)	3-1/2 (88.9)	4,000 (1818.0)	4-1/2 (114.3)	1-1/2 (38.1)	23 (10.5)	TM-12609-24	09 = Taper Bearing
12 (304.8)	4 (101.6)	6,500 (2954.3)	4-1/2 (114.3)	2.33 (59.1)	26-1/4 (11.9)	TM-12709-2.33	2.33 = Wheel ID Bore
12 (304.8)	4 (101.6)	6,500 (2954.3)	4-1/2 (114.3)	1-1/4 (31.8)	26-1/4 (11.9)	TM-12709-20	09 = Taper Bearing
16 (406.4)	3 (76.2)	4,000 (1818.0)	4-1/4 (108.0)	2-7/16 (61.9)	25 (11.4)	TM-16500-39	39 = Wheel ID Bore
16 (406.4)	3 (76.2)	4,000 (1818.0)	4-1/4 (108.0)	1-1/4 (31.8)	25 (11.4)	TM-16501-20	01 = Roller Bearing
16 (406.4)	3 (76.2)	4,000 (1818.0)	4-1/4 (108.0)	1-1/2 (38.1)	25 (11.4)	TM-16501-24	01 = Roller Bearing
16 (406.4)	3 (76.2)	4,000 (1818.0)	4-1/2 (114.3)	2-7/16 (61.9)	25-3/4 (11.7)	TM-16500-39	39 = Wheel ID Bore
16 (406.4)	3 (76.2)	4,000 (1818.0)	4-1/2 (114.3)	1-1/4 (31.8)	25-3/4 (11.7)	TM-16509-20	09 = Taper Bearing
16 (406.4)	3-1/2 (88.9)	6,000 (2727.0)	4-1/4 (108.0)	2-7/16 (61.9)	30-1/2 (13.9)	TM-16600-39	39 = Wheel ID Bore
16 (406.4)	3-1/2 (88.9)	6,000 (2727.0)	4-1/4 (108.0)	1-1/4 (31.8)	30-1/2 (13.9)	TM-16601-20	01 = Roller Bearing
16 (406.4)	3-1/2 (88.9)	6,000 (2727.0)	4-1/4 (108.0)	1-1/2 (38.1)	30-1/2 (13.9)	TM-16601-24	01 = Roller Bearing
16 (406.4)	3-1/2 (88.9)	6,000 (2727.0)	4-1/2 (114.3)	2-7/16 (61.9)	30-1/4 (14.2)	TM-16600-39	39 = Wheel ID Bore
16 (406.4)	3-1/2 (88.9)	6,000 (2727.0)	4-1/2 (114.3)	1-1/4 (31.8)	30-1/4 (14.2)	TM-16609-20	09 = Taper Bearing
16 (406.4)	4 (101.6)	8,000 (3636.0)	5-1/4 (133.4)	2-7/16 (61.9)	35-3/4 (16.2)	TM-16700-39	39 = Wheel ID Bore
16 (406.4)	4 (101.6)	8,000 (3636.0)	5-1/4 (133.4)	1-1/4 (31.8)	35-3/4 (16.2)	TM-16601-20	01 = Roller Bearing
16 (406.4)	4 (101.6)	8,000 (3636.0)	5-1/4 (133.4)	1-1/2 (38.1)	35-3/4 (16.2)	TM-16601-24	01 = Roller Bearing
16 (406.4)	4 (101.6)	8,000 (3636.0)	5-1/2 (139.7)	2-7/16 (61.9)	34-1/4 (15.6)	TM-16600-39	39 = Wheel ID Bore
16 (406.4)	4 (101.6)	8,000 (3636.0)	5-1/2 (139.7)	1-1/4 (31.8)	34-1/4 (15.6)	TM-16609-20	09 = Taper Bearing
18 (457.2)	3 (76.2)	3,500 (1590.8)	3-1/4 (82.6)	1-15/16 (49.2)	23-3/4 (10.8)	TM-18500-39	39 = Wheel ID Bore
16 (406.4)	3 (76.2)	3,500 (1590.8)	3-1/4 (82.6)	1 (25.4)	23-3/4 (10.8)	TM-18501-16	01 = Roller Bearing
16 (406.4)	3 (76.2)	3,500 (1590.8)	3-1/4 (82.6)	1-1/4 (31.8)	23-3/4 (10.8)	TM-18501-20	01 = Roller Bearing

**Capacity Rating is for manual operation. Rating shown is for highest rated capacity bearing.

Hub length of tapered roller bearing wheel shown is measured over spacer tubes.



Dia. (in.)	Width (in.)	Capacity (lbs.)	Axle Dia. (in.)	Hub Length (in.)	Wt. (lbs.)	Part Number*
CATEGORY 04, 05 AND 06 WITH 1/2 IN. AXLES						
4	2	1000	1/2	2-3/16	3	TL-R-0420-08
5	2	1000	1/2	2-3/16	4	TL-R-0520-08
6	2	1100	1/2	2-3/16	5	TL-R-0620-08
7	2	1200	1/2	2-3/16	6	TL-R-0720-08
CATEGORY 07 AND 08 WITH 3/4 IN. AXLES						
6	3	1350	3/4	2-3/4	5	TL-R-0630-12
8	3	1500	3/4	2-3/4	6	TL-R-0830-12
10	3	1650	3/4	2-3/4	7	TL-R-1030-12
12	3	1800	3/4	2-3/4	8	TL-R-1230-12

* P = Precision Brg., R= Roller Brg., D= Delrin Brg., T=Tapered Brg., PL = Plain Brg.

Other sizes available 3 in. - 16 in. diameter.

Laminated Texite Wheels have continuously wound laminations on the tread and standard macerated phenolics in the core. It wears much better than the standard phenolic compound.

The wrap of canvas allows the wheel a greater load capacity and is more resistant to fraying or chipping when operating on ordinary floors. Resistance to shock is approximately 35% greater than macerated TL Texite wheels.

Laminated Texite (TL) is a premium wheel in performance and value as it outlasts macerated phenolics - TM Texite 3 or 4 times.

While the wheel has high load capacity it is still floor protective.

Temperature Range: to +260 ° F.

Chemical Resistance: Good around most chemicals.



High Temperature Phenolic Wheels (TR)

use the same resin as the standard Texite Wheel, but the filler material is substituted with a material that will take higher heat before breaking down.

The material is a reddish brown.

Temperature range - will take heat continuous to + 475 ° F.

(Intermittent to + 525 ° F)

Wheels are available with:

- Stainless Steel Spanner Bushings
- Stainless Steel Roller Bearings
- Electroless Nickel Plated Roller Bearings

Applications include baking ovens, curing ovens and autoclaves

Dia. (in.)	Width (in.)	Capacity (lbs.)	Axle Dia. (in.)	Hub Length (in.)	Wt. (lbs.)	Part Number*
CATEGORY 02 WITH 3/8 IN. AXLES						
3	1-1/4	200	3/8	1-3/8	3	TR-R-0312-08
4	1-1/4	250	3/8	1-3/8	4	TR-R-0412-08
5	1-1/4	300	3/8	1-3/8	5	TR-R-0512-08
CATEGORY 03 WITH 1/2 IN. AXLES						
3	1-1/2	300	1/2	1-5/8	3	TR-R-0315-12
4	1-1/2	400	1/2	1-5/8	4	TR-R-0415-12
5	1-1/2	400	1/2	1-5/8	5	TR-R-1515-12
6	1-1/2	500	1/2	1-5/8	6	TR-R-1615-12
CATEGORY 04 AND 05 WITH 1/2 IN. AXLES						
3-1/4	2	500	1/2	2-3/16	3	TR-R-3220-12
4	2	500	1/2	2-3/16	4	TR-R-0420-12
5	2	750	1/2	2-3/16	4-1/2	TR-R-0520-12
6	2	900	1/2	2-3/16	5	TR-R-0620-12
8	2	1100	1/2	2-3/16	6	TR-R-0820-12
CATEGORY 07 AND 08 WITH 3/4 IN. AXLES						
6	2-1/2	1300	3/4	3-1/4	5	TR-R-0625-16
8	2-1/2	1600	3/4	3-1/4	6	TR-R-0825-16
10	2-1/2	2000	3/4	3-1/4	7	TR-R-1025-16
12	2-1/2	2400	3/4	3-1/4	7	TR-R-1225-16
CATEGORY 07 AND 08 WITH 3/4 IN. AXLES						
6	3	1700	3/4	3-1/4	5	TR-R-0630-16
8	3	1900	3/4	3-1/4	6	TR-R-0830-16
10	3	2400	3/4	3-1/4	7	TR-R-1030-16
12	3	2600	3/4	3-1/4	8	TR-R-1230-16

* P = Precision Brg., R= Roller Brg., D= Delrin Brg., T=Tapered Brg., PL = Plain Brg.

Other sizes available 3 in. - 16 in. diameter.

POLYPROPYLENE BLACK - PB

Capacity Up to 1000 lbs.



Injection molded blend of thermoplastic polymers which resist absorption and are resistant to most chemicals and solvents. Capacity ratings are comparable to hard rubber wheels with the added advantage of being lighter in weight and having greater impact resistance.

Features

- **Wheel face:** Moderate crown
- **Finish:** Black
- **Temperature Range:** -20°F to +180°F
- **Hardness:** 65 Shore D

Dia. (in.)	Width (in.)	Capacity (lbs.)	Hub Length (in.)	Bore (in.)	Bearing (in.)	Wt. (lbs.)	Part * Number
3	1-3/8	250	1-1/2	1-5/16	1/2	1/2	PB-R-0313-08
3	1-1/4	250	1-1/2	1/2	1/2	1/2	PB-R-0312-08
3-1/2	1-3/8	275	1-1/2	1-5/16	1/2	1/2	PB-R-3513-08
4	1-1/4	300	1-1/2	1/2	1/2	1/2	PB-R-0412-08
4	1-3/8	300	1-1/2	1-5/16	1/2	1/2	PB-R-0413-08
4	1-1/2 [^]	400	1-5/8	1-3/16	1/2	3/4	PB-R-0415-12<
4	2	450	2-3/16	3/4	3/4	1/2	PB-R-0420-12
4	2	450	2-3/16	1-3/16	3/4	1	PB-R-0420-12<
5	1-1/4	450	1-1/2	1/2	1/2	1/2	PB-R-0512-08
5	1-1/4	450	1-1/2	1-5/16	1/2	1/2	PB-R-0512-08
5	1-1/2 [^]	450	1-5/8	1-3/16	3/4	1	PB-R-0515-12<
5	2	550	2-3/16	3/4	3/4	3/4	PB-R-0520-12
5	2	650	2-3/16	1-3/16	3/4	1-1/4	PB-R-0520-12<
6	1-1/2 [^]	550	1-5/8	1-3/16	3/4	1	PB-R-0615-12<
6	2	650	2-3/16	3/4	3/4	1	PB-R-0620-12
6	2	750	2-3/16	1-3/16	3/4	1-1/2	PB-R-0620-12<
8	2	850	2-3/16	3/4	3/4	1-1/4	PB-R-0820-12
8	2	1000	2-3/16	1-3/16	3/4	1-3/4	PB-R-0820-12<

* P = Prec. Brg, R= Roller Brg, D= Delrin Brg, T=Tapered Brg, PL = Plain Brg

[^] = Wheels are complete with spanner bushing & nylon retaining thrust washers

< = 2-7/16" Spanner and Spacers included

POLYPROPYLENE WHITE - PW

Capacity Up to 1000 lbs.



Dia. (in.)	Width (in.)	Capacity (lbs.)	Hub Length (in.)	Bore (in.)	Bearing (in.)	Wt. (lbs.)	Part Number*
3	1-1/4	250	1-7/16	1/2	1/2	1/2	PW-R-0312-08
3-1/2	1-1/4	275	1-7/16	1/2	1/2	1/2	PW-R-0312-08
4	1-1/4	300	1-7/16	1/2	1/2	1/2	PW-R-0412-08
4	1-1/2	400	1-5/8	3/4	3/4	1/2	PW-R-0415-12
4	2	450	2-3/16	3/4	3/4	3/4	PW-R-0420-12
4	2	450	2-3/16	1/2	1/2	3/4	PW-R-0420-08
5	1-1/4	450	1-7/16	1/2	1/2	1/2	PW-R-0512-08
5	1-1/2	450	1-5/8	3/4	3/4	1/2	PW-R-0515-12
5	2	550	2-3/16	3/4	3/4	3/4	PW-R-0520-12
5	2	650	2-3/16	1/2	1/2	3/4	PW-R-0520-08
5	2	650	2-3/16	1/2	3/4	3/4	PW-R-0520-12
6	1-1/2	550	1-5/8	1-3/16	3/4	3/4	PW-R-0612-12
6	2	650	2-3/16	1-3/16	3/4	3/4	PW-R-0620-12
6	2	750	2-3/16	1-3/16	1/2	3/4	PW-R-0620-08
6	2	750	2-3/16	1-3/16	3/4	3/4	PW-R-0620-12

RETORT - RT

Capacity	Up to 900 lbs.
-----------------	-----------------------



Designed to withstands the rigors of high temperature, these wheels are perfect for cooker racks and retort carts. Oversized bore ID ensures smooth movement, even if wheels experience heat expansion.

Features

- **Wheel face:** Moderate crown
- **Finish:** White
- **Temperature Range:** -20°F up to +290°F
- **Hardness:** 75 Shore D Same options as PB

Dia. (in.)	Width (in.)	Capacity (lbs.)	Hub Length (in.)	Bore (in.)	Bearing (in.)	Wt (lbs.)	Part Number*
3	1-3/8	300	1-1/2	1/2	1/2	1/4	RT-R-0313-08
3-1/2	1-3/8	300	1-1/2	1/2	1/2	1/4	RT-R-3513-08
4	1-3/8	300	1-1/2	1/2	1/2	3/4	RT-R-0413-08
4	1-1/2	375	1-5/8	1-3/16	3/4	1	RT-R-0415-08
4	2	500	2-3/16	1-3/16	3/4	1	RT-R-0420-08
5	1-3/8	440	1-1/2	1/2	1/2	1	RT-R-0513-08
5	1-1/2	540	1-5/8	1-3/16	3/4	1	RT-R-0515-08
5	2	650	2-3/16	1-3/16	3/4	1/2	RT-R-0520-08
6	1-1/2	600	1-5/8	1-3/16	3/4	1/2	RT-R-0615-08
6	2	700	2-3/16	1-3/16	3/4	2	RT-R-0620-08
8	1-1/2	750	1-5/8	1-3/16		3/4 2	RT-R-0815-08
8	2	900	2-3/16	1-3/16	3/4	2-1/2	RT-R-0820-08

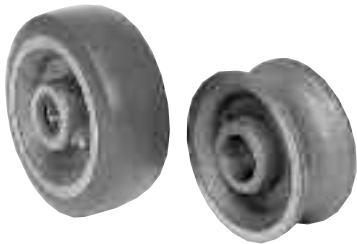
* P= Precision Ball Bearing, D= Delrin bearing, PL= Plain Bearing



**PREMIUM URETHANE /
HEAVY DUTY IRON CORE
(UR9/CA/HD)**



**PREMIUM URETHANE /
CAST IRON CORE
(UR9/CA)**



**PREMIUM URETHANE /
IRON & FORGED STEEL CORES
(UR9/CA & UR9/FS)**



**PREMIUM URETHANE /
ALUMINUM CORE
(UR9/AL)**



**PREMIUM URETHANE /
ALUMINUM / DONUT TREAD
(UR9/AL/DT)**



**PREMIUM URETHANE /
SWIVEL-EAZ™
(URD/SWE)**



**POLYURETHANE /
CAST IRON CORE
(PY9/CA)**



**POLYURETHANE /
ALUMINUM CORE
(PY9/AL)**



**POLYURETHANE /
ALUMINUM / DONUT TREAD
(PY9/AL/DT)**



**POLYURETHANE /
POLYPROPYLENE CORE
(PY/PB)**



**POLYURETHANE /
SHOPPING CART WHEELS
(PY/SC)**

URETHANE / POLYURETHANE WHEELS PAGE #

Premium Urethane / Cast Iron52-62
 Premium Urethane / Iron & Steel.....63-64
 Premium Urethane / Aluminum65-66
 Swivel-Eaz™ (Dual-in-One)67
 Polyurethane / Cast Iron68-71
 Polyurethane / Aluminum72-73
 Polyurethane / Polypropylene.....74
 Polyurethane Shopping Cart Wheels.....75

Visit our Web site for new products
www.acornindprod.com

PREMIUM URETHANE / HEAVY DUTY CAST IRON - UR9/CA/HD

Capacity Up to 5000 lbs.



Premium Urethane on Heavy Duty Iron.

Treads are thicker than standard premium urethane on iron wheels and the cast iron centers are a heavier design. Thicker treads provide greater cushioning and load bearing capacity. Ideal for power towed applications.

FOR MORE EXTREME CAPACITY

APPLICATIONS EXTRA HARD 70D PREMIUM URETHANE TREADS ARE RECOMMENDED.

ALL WHEELS AVAILABLE IN 70A, 80A, 95A AND 70D DUROMETERS.

Wheel Options

- Extra hard tread
- Debris resistant tread
- Soft cushioned tread
- Keyways/set screws
- Special widths / hub lengths
- Ultra thick tread
- Special bores
- Special bearings

• **Solid Web Heavy Duty Centers:** Most have a min. 1/2" cross section thickness throughout to insure greater strength. All tires are "liquid cast" premium urethane in 1/2" or 1" thickness, chemically bonded to these extra rugged centers. Durometer hardness of 95A is standard.

• **Tapered Bearings:** Grease-packed precision tapered roller bearings are available in all sizes. Seals and lube fittings are standard with tapered roller bearings.

• **Automotive Industry:** Designed for, and widely used by, the automotive industry.

• **Ultra-thick Treads:** Available in all sizes. Consult Acorn™.

• **Tensile Strength:** 7400psi.

Dia. (in.)	Face (in.)	Tread (in.)	Bore (in.)	Hub Length (in.)	Axle (in.)	Bearing Type	Cap. (lbs.)	Part Number*
6	3	1/2	1-15/16	3-1/4	1-15/16	-	2200	UR9/CA/HD-00-0630-31
6	3	1/2	1-15/16	3-1/4	1	Roller	2200	UR9/CA/HD-R-0630-16
6	3	1/2	1-15/16	3-1/4	1-1/4	Roller	2200	UR9/CA/HD-R-0630-20
6	3	1/2	1.780	3-1/4	3/4	Tapered	2200	UR9/CA/HD-T-0630-12
6	3	1/2	1.980	3-1/4	1	Tapered	2200	UR9/CA/HD-T-0630-16
6	3	1/2	2.326	3-1/4	1-1/4	Tapered	2200	UR9/CA/HD-T-0630-20
8	3	1/2	1-15/16	3-1/4	1-15/16	-	2500	UR9/CA/HD-00-0830-31
8	3	1/2	1-15/16	3-1/4	1	Roller	2500	UR9/CA/HD-R-0830-16
8	3	1/2	1.780	3-1/4	3/4	Tapered	2500	UR9/CA/HD-T-0830-12
8	3	1/2	1.980	3-1/4	1	Tapered	2500	UR9/CA/HD-T-0830-16
8	3	1/2	2-7/16	3-1/4	2-7/16	-	2500	UR9/CA/HD-00-0830-39
8	3	1/2	2-7/16	3-1/4	1-1/4	Roller	2500	UR9/CA/HD-R-0830-20
8	3	1/2	2-7/16	3-1/4	1-1/2	Roller	2500	UR9/CA/HD-R-0830-24
8	3	1/2	2.327	3-1/4	1-1/4	Tapered	2500	UR9/CA/HD-T-0830-20
8	3	1	1-15/16	3-1/4	1-15/16	-	3200	UR9/CA/HD-00-0830-31
8	3	1	1-15/16	3-1/4	1	Roller	3200	UR9/CA/HD-R-0830-16
8	3	1	1.780	3-1/4	3/4	Tapered	3200	UR9/CA/HD-T-0830-12
8	3	1	1.980	3-1/4	1	Tapered	3200	UR9/CA/HD-T-0830-16
8	3	1	2-7/16	3-1/4	2-7/16	-	3200	UR9/CA/HD-00-0830-39
8	3	1	2-7/16	3-1/4	1-1/4	Roller	3200	UR9/CA/HD-R-0830-20
8	3	1	2-7/16	3-1/4	1-1/2	Roller	3200	UR9/CA/HD-R-0830-24
8	3	1	2.327	3-1/4	1-1/4	Tapered	3200	UR9/CA/HD-T-0830-20
10	3	1/2	1-15/16	3-1/4	1-15/16	-	3000	UR9/CA/HD-00-1030-31
10	3	1/2	1-15/16	3-1/4	1	Roller	3000	UR9/CA/HD-R-1030-16
10	3	1/2	1.780	3-1/4	3/4	Tapered	3000	UR9/CA/HD-T-1030-12
10	3	1/2	1.980	3-1/4	1	Tapered	3000	UR9/CA/HD-T-1030-16
10	3	1/2	2-7/16	3-1/4	2-7/16	-	3000	UR9/CA/HD-00-1030-39
10	3	1/2	2-7/16	3-1/4	1-1/4	Roller	3000	UR9/CA/HD-R-1030-20
10	3	1/2	2-7/16	3-1/4	1-1/2	Tapered	3000	UR9/CA/HD-R-1030-24
10	3	1/2	2.327	3-1/4	1-1/4	Tapered	3000	UR9/CA/HD-T-1030-20
10	3	1	1-15/16	3-1/4	1-15/16	-	3700	UR9/CA/HD-00-1030-31
10	3	1	1-15/16	3-1/4	1	Roller	3700	UR9/CA/HD-R-1030-16
10	3	1	1.780	3-1/4	3/4	Tapered	3700	UR9/CA/HD-T-1030-12
10	3	1	1.980	3-1/4	1	Tapered	3700	UR9/CA/HD-T-1030-16
10	3	1	2-7/16	3-1/4	2-7/16	-	3700	UR9/CA/HD-00-1030-39
10	3	1	2-7/16	3-1/4	1-1/4	Roller	3700	UR9/CA/HD-R-1030-20
10	3	1	2-7/16	3-1/4	1-1/2	Tapered	3700	UR9/CA/HD-R-1030-24
10	3	1	2.327	3-1/4	1-1/4	Tapered	3700	UR9/CA/HD-T-1030-20
10	4	1	2-7/16	4-1/4	2-7/16	-	5000	UR9/CA/HD-00-1040-31
10	4	1	2-7/16	4-1/4	1-1/4	Roller	5000	UR9/CA/HD-R-1040-20
10	4	1	2-7/16	4-1/4	1-1/2	Roller	5000	UR9/CA/HD-R-1040-24
10	4	1	2.437	4-1/4	1	Tapered	5000	UR9/CA/HD-T-1040-16
10	4	1	2.327	4-1/4	1-1/4	Tapered	5000	UR9/CA/HD-T-1040-20

*R = Roller Bearing, T = Tapered Bearing, P = Precision Bearing, 00 = Plain Bore

(Continued on Next Page)

PREMIUM URETHANE / HEAVY DUTY CAST IRON - UR9/CA/HD

Capacity Up to 5000 lbs.



Rollability

Thicker treads provide greater capacities and more cushioning. However, rollability is somewhat diminished.

ALL WHEELS AVAILABLE IN 70A, 80A, 95A AND 70D DUROMETERS.

FOR MORE EXTREME CAPACITY APPLICATIONS EXTRA HARD 70D PREMIUM URETHANE TREADS ARE RECOMMENDED.

Dia. (in.)	Face (in.)	Tread (in.)	Bore (in.)	Hub Length (in.)	Axle (in.)	Bearing Type	Cap. (lbs.)	Part Number*
12	3	1	1-15/16	3-1/4	1-15/16	-	4125	UR9/CA/HD-00-1230-31
12	3	1	1-15/16	3-1/4	1	Roller	4125	UR9/CA/HD-R-1230-16
12	3	1	1-15/16	3-1/4	1-1/4	Roller	4125	UR9/CA/HD-R-1230-16
12	3	1	1.780	3-1/4	3/4	Tapered	4125	UR9/CA/HD-T-1230-12
12	3	1	1.980	3-1/4	1	Tapered	4125	UR9/CA/HD-T-1230-16
12	3	1	2.327	3-1/4	1-1/4	Tapered	4125	UR9/CA/HD-T-1230-20
<hr/>								
12	4	1	2-7/16	4-1/4	2-7/16	-	5500	UR9/CA/HD-00-1240-31
12	4	1	2-7/16	4-1/4	1-1/4	Roller	5500	UR9/CA/HD-R-1240-20
12	4	1	2-7/16	4-1/4	1-1/2	Roller	5500	UR9/CA/HD-R-1240-24
12	4	1	2.437	4-1/4	1	Tapered	5500	UR9/CA/HD-T-1240-16
12	4	1	2.327	4-1/4	1-1/4	Tapered	5500	UR9/CA/HD-T-1240-20
<hr/>								
12	5	1	2-7/16	5-1/4	2-7/16	-	6250	UR9/CA/HD-00-1250-31
12	5	1	2-7/16	5-1/4	1-1/4	Roller	6250	UR9/CA/HD-R-1250-20
12	5	1	2-7/16	5-1/4	1-1/2	Roller	6250	UR9/CA/HD-R-1250-24
12	5	1	2.437	5-1/4	1	Tapered	6250	UR9/CA/HD-T-1250-16
12	5	1	2.437	5-1/4	1-1/4	Tapered	6250	UR9/CA/HD-T-1250-20
12	5	1	2.717	5-1/4	1-1/2	Tapered	6250	UR9/CA/HD-T-1250-24
<hr/>								
12	6	1	2-7/16	6-1/4	2-7/16	-	7500	UR9/CA/HD-00-1260-31
12	6	1	2-7/16	6-1/4	1-1/4	Roller	7500	UR9/CA/HD-R-1260-20
12	6	1	2-7/16	6-1/4	1-1/2	Roller	7500	UR9/CA/HD-R-1260-24
12	6	1	2-7/16	6-1/4	1	Tapered	7500	UR9/CA/HD-T-1260-16
12	6	1	2.437	6-1/4	1-1/4	Tapered	7500	UR9/CA/HD-T-1260-20
12	6	1	2.717	6-1/4	1-1/2	Tapered	7500	UR9/CA/HD-T-1260-24
12	6	1	3.187	6-1/4	2	Tapered	7500	UR9/CA/HD-T-1260-32

PREMIUM URETHANE PALLET ROLLERS



Pallet Rollers

Pallet rollers are liquid cast premium urethane chemically bonded to centers machined from cast gray iron or steel. These specials are top quality American made rollers that are designed to save money in the long run. All centers are counter-bored to customer specifications. Consult Acorn™ for sizes and availability.

PREMIUM URETHANE / CAST IRON CORE - UR9/CA

Capacity Up to 1650 lbs.



Most versatile and cost effective industrial wheel on the market. Liquid cast and chemically bonded to a Class 30 solid web cast iron center. The tread is resistant to most chemicals, protects floors, is quiet, has great load bearing, wears like iron, and is non-marking and non-sparking. Variety of bearings including the easy rolling ball bearing setup.

FOR MORE EXTREME CAPACITY APPLICATIONS EXTRA HARD 70D PREMIUM URETHANE TREADS ARE RECOMMENDED.

ALL WHEELS AVAILABLE IN 70A, 80A, 95A AND 70D DUROMETERS.

Wheel Options

- Extra hard tread
- Debris resistant tread
- Special bores
- Special bearings
- Special widths or hub lengths
- Ultra thick tread
- Soft cushioned tread
- Keyways/set screws
- Higher capacities

- **Liquid Cast Tread:** Wheels are liquid cast premium urethane, chemically bonded to durable cast iron centers.
- **Solid Web Casting:** Most centers have a solid web design which affords greater strength and allows easier cleaning.
- **Unique Crown Tread:** The unique crown tread design with no-parting-line affords optimum rollability and comes standard in most sizes with widths of 1 1/2", 2", 2 1/2", and 3". Please specify if flat tread is desired.

Dia. (in.)	Face (in.)	Tread (in.)	Bore (in.)	Hub Length (in.)	Axle (in.)	Bearing Type	Cap. (lbs.)	Part Number*
3	1-1/2	1/4	1-3/16	1-5/8	1-3/16	-	400	UR9/CA-00-0315-19
3	1-1/2	1/4	1-3/16	1-5/8	3/4	Roller	400	UR9/CA-R-0315-12
3	1-1/2	1/4	1-3/16	1-5/8	1/2	Roll./Span.	400	UR9/CA-RS-0315-08
3	1-1/2	1/4	1.378	1-5/8	1/2	Prec. Ball	400	UR9/CA-P-0315-08
3	1-1/2	1/4	1.375	1-5/8	1/2	Tapered	400	UR9/CA-T-0315-08
3	2	1/4	1-3/16	2-3/16	1-3/16	-	500	UR9/CA-00-0320-19
3	2	1/4	1-3/16	2-3/16	3/4	Roller	500	UR9/CA-RO-0320-12
3	2	1/4	1-3/16	2-3/16	1/2	Roll./Span.	500	UR9/CA-RS-0320-08
3	2	1/4	1.378	2-3/16	1/2	Prec. Ball	500	UR9/CA-P-0320-08
3	2	1/4	1.375	2-3/16	1/2	Tapered	500	UR9/CA-T-0320-08
3-1/4	1-1/2	3/8	1-3/16	1-5/8	1-3/16	-	450	UR9/CA-00-3215-19
3-1/4	1-1/2	3/8	1-3/16	1-5/8	3/4	Roller	450	UR9/CA-R-3215-12
3-1/4	1-1/2	3/8	1-3/16	1-5/8	1/2	Roll./Span.	450	UR9/CA-RS-3215-08
3-1/4	1-1/2	3/8	1.378	1-5/8	1/2	Prec. Ball	450	UR9/CA-P-3215-08
3-1/4	1-1/2	3/8	1.375	1-5/8	1/2	Tapered	450	UR9/CA-T-3215-08
3-1/4	2	3/8	1-3/16	2-3/16	1-3/16	-	550	UR9/CA-00-3220-19
3-1/4	2	3/8	1-3/16	2-3/16	3/4	Roller	550	UR9/CA-R-3220-12
3-1/4	2	3/8	1-3/16	2-3/16	1/2	Roll./Span.	550	UR9/CA-RS-3220-08
3-1/4	2	3/8	1.378	2-3/16	1/2	Prec. Ball	550	UR9/CA-P-3220-08
3-1/4	2	3/8	1.375	2-3/16	1/2	Tapered	550	UR9/CA-T-3220-08
4	1-1/2	3/8	1-3/16	1-5/8	1-3/16	-	675	UR9/CA-00-0415-19
4	1-1/2	3/8	1-3/16	1-5/8	3/4	Roller	675	UR9/CA-R-0415-12
4	1-1/2	3/8	1-3/16	1-5/8	1/2	Roll./Span.	675	UR9/CA-RS-0415-08
4	1-1/2	3/8	1.378	1-5/8	1/2	Prec. Ball	675	UR9/CA-P-0415-08
4	1-1/2	3/8	1.375	1-5/8	1/2	Tapered	675	UR9/CA-T-0415-08
4	2	3/8	1-3/16	2-3/16	1-3/16	-	750	UR9/CA-00-0420-19
4	2	3/8	1-3/16	2-3/16	3/4	Roller	750	UR9/CA-R-0420-12
4	2	3/8	1-3/16	2-3/16	1/2	Roll./Span.	750	UR9/CA-RS-0420-08
4	2	3/8	1.378	2-3/16	1/2	Prec. Ball	750	UR9/CA-P-0420-08
4	2	3/8	1.375	2-3/16	1/2	Tapered	750	UR9/CA-T-0420-08
4	3-1/4	3/8	1-15/16	3-1/4	1-15/16	-	1275	UR9/CA-00-0432-31
4	3-1/4	3/8	1-15/16	3-1/4	1	Roller	1275	UR9/CA-R-0432-16
4	3-1/4	3/8	1-15/16	3-1/4	3/4	Roll./Span.	1275	UR9/CA-RS-0432-12
4	3-1/4	3/8	1-15/16	3-1/4	1-1/4	Roller	1275	UR9/CA-R-0432-20
4	3-1/4	3/8	1-15/16	3-1/4	1	Roll./Span.	1275	UR9/CA-RS-0432-16
4	3-1/4	3/8	2.044	3-1/4	3/4	Prec. Ball	1275	UR9/CA-P-0432-12
4	3-1/4	3/8	1.780	3-1/4	3/4	Tapered	1275	UR9/CA-T-0432-12
4	3-1/4	3/8	1.980	3-1/4	1	Tapered	1275	UR9/CA-T-0432-16
4	3-1/4	3/8	2.327	3-1/4	1-1/4	Tapered	1275	UR9/CA-T-4032-20
4	4-1/4	3/8	1-15/16	4-1/4	1-15/16	-	1650	UR9/CA-00-4042-31
4	4-1/4	3/8	1-15/16	4-1/4	1	Roller	1650	UR9/CA-R-4042-16
4	4-1/4	3/8	1-15/16	4-1/4	3/4	Roll./Span.	1650	UR9/CA-RS-4042-12
4	4-1/4	3/8	1-15/16	4-1/4	1-1/4	Roller	1650	UR9/CA-R-4042-20
4	4-1/4	3/8	1-15/16	4-1/4	1	Roll./Span.	1650	UR9/CA-RS-4042-16
4	4-1/4	3/8	1.780	4-1/4	3/4	Tapered	1650	UR9/CA-T-4042-12
4	4-1/4	3/8	1.980	4-1/4	1	Tapered	1650	UR9/CA-T-4042-16
4	4-1/4	3/8	2.327	4-1/4	1-1/4	Tapered	1650	UR9/CA-T-4042-20

(Continued on Next Page)

PREMIUM URETHANE / CAST IRON CORE - UR9/CA

Capacity Up to 2150 lbs.



• **Retaining Washers:** All wheels with roller bearings are shipped standard with flat metal retaining washers. Tri-washers are available on 3/4" roller bearing wheels at no extra charge.

• **Keyways:** Most premium urethane wheels with iron centers can be supplied with a keyway and/or set screws as an option.

• **Capacities:** Capacities listed are based on the use of our standard 95A premium urethane tread. Other urethane compounds available including 70D extra hard that increases capacity substantially.

FOR MORE EXTREME CAPACITY

APPLICATIONS EXTRA HARD 70D PREMIUM URETHANE TREADS ARE RECOMMENDED.

ALL WHEELS AVAILABLE IN 70A, 80A, 95A AND 70D DUROMETERS.

Dia. (in.)	Face (in.)	Tread (in.)	Bore (in.)	Hub Length (in.)	Axle (in.)	Bearing Type	Cap. (lbs.)	Part Number*
5	1-1/2	3/8	1-3/16	1-5/8	1-3/16	-	700	UR9/CA-00-0515-19
5	1-1/2	3/8	1-3/16	1-5/8	3/4	Roller	700	UR9/CA-R-0515-12
5	1-1/2	3/8	1-3/16	1-5/8	1/2	Rol./Span.	700	UR9/CA-RS-0515-08
5	1-1/2	3/8	1.378	1-5/8	1/2	Prec. Ball	700	UR9/CA-P-0515-08
5	1-1/2	3/8	1.375	1-5/8	1/2	Tapered	700	UR9/CA-T-0515-08
5	2	3/8	1-3/16	2-3/16	1-3/16	-	1050	UR9/CA-00-0520-19
5	2	3/8	1-3/16	2-3/16	3/4	Roller	1050	UR9/CA-R-0520-12
5	2	3/8	1-3/16	2-3/16	1/2	Rol./Span.	1050	UR9/CA-RS-0520-08
5	2	3/8	1-7/16	2-1/4	1-7/16	-	1050	UR9/CA-00-0520-23
5	2	3/8	1-7/16	2-1/4	1	Roller	1050	UR9/CA-R-0520-16
5	2	3/8	1.575	2-1/4	1/2	Prec. Ball	1050	UR9/CA-P-0520-08
5	2	3/8	1.375	2-1/4	1/2	Tapered	1050	UR9/CA-T-0520-08
5	2	3/8	1.780	2-1/4	3/4	Tapered	1050	UR9/CA-T-0520-12
5	2-1/2	3/8	1-5/16	2-3/4	1-15/16	-	1325	UR9/CA-00-0525-31
5	2-1/2	3/8	1-5/16	2-3/4	1	Roller	1325	UR9/CA-R-0525-16
5	2-1/2	3/8	1-5/16	2-3/4	3/4	Rol./Span.	1325	UR9/CA-RS-0525-12
5	2-1/2	3/8	1-5/16	2-3/4	1-1/4	Roller	1325	UR9/CA-R-0525-20
5	2-1/2	3/8	1-5/16	2-3/4	1	Rol./Span.	1325	UR9/CA-RS-0525-16
5	2-1/2	3/8	2.044	2-3/4	3/4	Prec. Ball	1325	UR9/CA-P-0525-12
5	2-1/2	3/8	1.780	2-3/4	3/4	Tapered	1325	UR9/CA-T-0525-12
5	2-1/2	3/8	1.980	2-3/4	1	Tapered	1325	UR9/CA-T-0525-16
5	3	3/8	1-15/16	3-1/4	1-15/16	-	1550	UR9/CA-00-0530-31
5	3	3/8	1-15/16	3-1/4	1	Roller	1550	UR9/CA-R-0530-16
5	3	3/8	1-15/16	3-1/4	3/4	Rol./Span.	1550	UR9/CA-RS-0530-12
5	3	3/8	1-15/16	3-1/4	1-1/4	Roller	1550	UR9/CA-R-0530-20
5	3	3/8	1-15/16	3-1/4	1	Rol./Span.	1550	UR9/CA-RS-0530-16
5	3	3/8	2.044	3-1/4	3/4	Prec. Ball	1550	UR9/CA-P-0530-12
5	3	3/8	1.780	3-1/4	3/4	Tapered	1550	UR9/CA-T-0530-12
5	3	3/8	1.980	3-1/4	1	Tapered	1550	UR9/CA-T-0530-16
5	4-1/4	7/8	1-15/16	4-1/4	1-15/16	-	2150	UR9/CA-00-0542-31
5	4-1/4	7/8	1-15/16	4-1/4	1	Roller	2150	UR9/CA-R-0542-16
5	4-1/4	7/8	1-15/16	4-1/4	3/4	Rol./Span.	2150	UR9/CA-RS-0542-12
5	4-1/4	7/8	1-15/16	4-1/4	1-1/4	Roller	2150	UR9/CA-R-0542-20
5	4-1/4	7/8	1-15/16	4-1/4	1	Rol./Span.	2150	UR9/CA-RS-0542-16
5	4-1/4	7/8	1.780	4-1/4	3/4	Tapered	2150	UR9/CA-T-0542-12
5	4-1/4	7/8	1.980	4-1/4	1	Tapered	2150	UR9/CA-T-0542-16
5	4-1/4	7/8	2.327	4-1/4	1-1/4	Tapered	2150	UR9/CA-T-0542-20
6	1-1/2	3/8	1-3/16	1-5/8	1-3/16	-	850	UR9/CA-00-0615-19
6	1-1/2	3/8	1-3/16	1-5/8	3/4	Roller	850	UR9/CA-R-0615-16
6	1-1/2	3/8	1-3/16	1-5/8	1/2	Rol./Span.	850	UR9/CA-RS-0615-08
6	1-1/2	3/8	1.378	1-5/8	1/2	Prec. Ball	850	UR9/CA-P-0615-08
6	1-1/2	3/8	1.375	1-5/8	1/2	Tapered	850	UR9/CA-T-0615-08

(Continued on Next Page)

PREMIUM URETHANE / CAST IRON CORE - UR9/CA

Capacity Up to 3100 lbs.



• **Ball Bearings:** Easy-rolling sealed precision grade ball bearings with T-bushing setup is available on most sizes. See page 19 for complete listing.

• **Liquid Cast:** Urethane Wheels are “liquid cast”—not injection molded, resulting in a much more durable wheel.

• **Grease Fittings:** Grease fittings are standard on wheels 5” diameter and larger.

• **Washer Seals:** Washer seals are available as an option.

• **Alternate Bore Sizes:** Non-standard bore sizes are available on most sizes.

• **Tapered Bearings:** All tapered roller bearing wheels come complete with seals and spacers.

FOR MORE EXTREME CAPACITY

APPLICATIONS EXTRA HARD 70D PREMIUM URETHANE TREADS ARE RECOMMENDED.

ALL WHEELS AVAILABLE IN 70A, 80A, 95A AND 70D DUROMETERS.

*R = Roller Bearing, T = Tapered Bearing, P = Precision Bearing, 00 = Plain Bore

Dia. (in.)	Face (in.)	Tread (in.)	Bore (in.)	Hub Length (in.)	Axle (in.)	Bearing Type	Cap. (lbs.)	Part Number*
6	2	3/8	1-3/16	2-3/16	1-3/16	-	1250	UR9/CA-00-0620-19
6	2	3/8	1-3/16	2-3/16	3/4	Roller	1250	UR9/CA-R-0620-12
6	2	3/8	1-3/16	2-3/16	1/2	Rol./Span.	1250	UR9/CA-RS-0620-08
6	2	3/8	1.575	2-3/16	1/2	Prec. Ball	1250	UR9/CA-P-0620-08
6	2	3/8	1.375	2-1/4	1/2	Tapered	1250	UR9/CA-T-0620-08
6	2	3/8	1-7/16	2-1/4	1-7/16	-	1250	UR9/CA-00-0620-23
6	2	3/8	1-7/16	2-1/4	1	Roller	1250	UR9/CA-R-0620-16
6	2	3/8	1-15/16	2-1/4	1-1/4	Roller	1250	UR9/CA-R-0620-20
6	2	3/8	1.780	2-1/4	3/4	Tapered	1250	UR9/CA-T-0620-12
6	2	3/8	1.980	2-1/4	1	Tapered	1250	UR9/CA-T-0620-16
6	2-1/2	3/8	1-15/16	2-3/4	1-15/16	-	1625	UR9/CA-00-0625-31
6	2-1/2	3/8	1-15/16	2-3/4	1	Roller	1625	UR9/CA-R-0625-16
6	2-1/2	3/8	1-15/16	2-3/4	3/4	Rol./Span.	1625	UR9/CA-RS-0625-12
6	2-1/2	3/8	1-15/16	2-3/4	1-1/4	Roller	1625	UR9/CA-R-0625-20
6	2-1/2	3/8	1-15/16	2-3/4	1	Rol./Span.	1625	UR9/CA-RS-0625-16
6	2-1/2	3/8	2.044	2-3/4	3/4	Prec. Ball	1625	UR9/CA-P-0625-12
6	2-1/2	3/8	1.780	2-3/4	3/4	Tapered	1625	UR9/CA-T-0625-12
6	2-1/2	3/8	1.980	2-3/4	1	Tapered	1625	UR9/CA-T-0625-16
6	3	1/2	1-15/16	3-1/4	1-15/16	-	2200	UR9/CA-00-0630-31
6	3	1/2	1-15/16	3-1/4	1	Roller	2200	UR9/CA-R-0630-16
6	3	1/2	1-15/16	3-1/4	3/4	Rol./Span.	2200	UR9/CA-RS-0630-12
6	3	1/2	1-15/16	3-1/4	1-1/4	Roller	2200	UR9/CA-R-0630-20
6	3	1/2	1-15/16	3-1/4	1	Rol./Span.	2200	UR9/CA-RS-0630-16
6	3	1/2	2.044	3-1/4	3/4	Prec. Ball	2200	UR9/CA-P-0630-12
6	3	1/2	1.780	3-1/4	3/4	Tapered	2200	UR9/CA-T-0630-12
6	3	1/2	1.980	3-1/4	1	Tapered	2200	UR9/CA-T-0630-16
6	4	1/2	2-7/16	4-1/4	2-7/16	-	3100	UR9/CA-00-0640-39
6	4	1/2	2-7/16	4-1/4	1-1/4	Roller	3100	UR9/CA-R-0640-20
6	4	1/2	2-7/16	4-1/4	1	Rol./Span.	3100	UR9/CA-RS-0640-16
6	4	1/2	2-7/16	4-1/4	1-1/2	Roller	3100	UR9/CA-R-0640-24
6	4	1/2	2.437	4-1/4	1	Tapered	3100	UR9/CA-T-0640-16
6	4	1/2	2.327	4-1/4	1-1/4	Tapered	3100	UR9/CA-T-0640-20
7	2	3/8	1-3/16	2-3/16	1-3/16	-	1350	UR9/CA-00-0720-19
7	2	3/8	1-3/16	2-3/16	3/4	Roller	1350	UR9/CA-R-0720-12
7	2	3/8	1-3/16	2-3/16	1/2	Rol./Span.	1350	UR9/CA-RS-0720-08
7	2	3/8	1.378	2-3/16	1/2	Prec. Ball	1350	UR9/CA-P-0720-08
7	2	3/8	1.375	2-1/4	1/2	Tapered	1350	UR9/CA-T-0720-08
7	2	3/8	1-7/16	2-1/4	1-7/16	-	1400	UR9/CA-00-0720-23
7	2	3/8	1-7/16	2-1/4	1	Roller	1400	UR9/CA-R-0720-16
7	2	1/2	1.780	2-1/4	3/4	Tapered	1500	UR9/CA-T-0720-12
7	2	1/2	1.980	2-1/4	1	Tapered	1500	UR9/CA-T-0720-16
7	2-1/2	3/8	1-15/16	2-3/4	1-15/16	-	1750	UR9/CA-00-0725-31
7	2-1/2	3/8	1-15/16	2-3/4	1	Roller	1750	UR9/CA-R-0725-16
7	2-1/2	3/8	1-15/16	2-3/4	3/4	Rol./Span.	1750	UR9/CA-RS-0725-12
7	2-1/2	3/8	1-15/16	2-3/4	1-1/4	Roller	1750	UR9/CA-R-0725-20
7	2-1/2	3/8	2.044	2-3/4	3/4	Prec. Ball	1750	UR9/CA-P-0725-12
7	2-1/2	3/8	1.780	2-3/4	3/4	Tapered	1750	UR9/CA-T-0725-12
7	2-1/2	3/8	1.980	2-3/4	1	Tapered	1750	UR9/CA-T-0725-16

(Continued on Next Page)

PREMIUM URETHANE / CAST IRON CORE - UR9/CA

Capacity Up to 2500 lbs.



- **Abrasion Resistance:** Premium urethane tired wheels have up to 5 or more times the abrasion resistance of rubber wheels.
- **Roll Easily:** Urethane Wheels start and roll much more easily than rubber under heavy loads.
- **Non-Marking:** Urethane Wheels are non-marking regardless of color.
- **Operating Temperature:** Operating temperature range for these standard Urethane Wheels is -20° to 200° F. intermittent, 0° to 180° F. continuous. Special urethanes are available that are more suitable for higher/lower temperature applications.

FOR MORE EXTREME CAPACITY APPLICATIONS EXTRA HARD 70D PREMIUM URETHANE TREADS ARE RECOMMENDED.

ALL WHEELS AVAILABLE IN 70A, 80A, 95A AND 70D DUROMETERS.

Dia. (in.)	Face (in.)	Tread (in.)	Bore (in.)	Hub Length (in.)	Axle (in.)	Bearing Type	Cap. (lbs.)	Part Number*
7	3	1/2	1-15/16	3-1/4	1-15/16	-	1950	UR9/CA-00-0730-31
7	3	1/2	1-15/16	3-1/4	1	Roller	1950	UR9/CA-R-0730-16
7	3	1/2	1-15/16	3-1/4	3/4	Rol./Span.	1950	UR9/CA-RS-0730-12
7	3	1/2	1-15/16	3-1/4	1-1/4	Roller	1950	UR9/CA-R-0730-20
7	3	1/2	2.044	3-1/4	3/4	Prec. Ball	1950	UR9/CA-P-0730-12
7	3	1/2	1.780	3-1/4	3/4	Tapered	1950	UR9/CA-T-0730-12
7	3	1/2	1.980	3-1/4	1	Tapered	1950	UR9/CA-T-0730-16
8	2	3/8	1-3/16	2-3/16	1-3/16	-	1550	UR9/CA-00-0820-23
8	2	3/8	1-3/16	2-3/16	3/4	Roller	1550	UR9/CA-R-0820-12
8	2	3/8	1-3/16	2-3/16	1/2	Rol./Span.	1550	UR9/CA-RS-0820-08
8	2	3/8	1.575	2-3/16	1/2	Prec. Ball	1550	UR9/CA-P-0820-08
8	2	3/8	1.375	2-1/4	1/2	Tapered	1550	UR9/CA-T-0820-08
8	2	3/8	1-7/16	2-1/4	1-7/16	-	1550	UR9/CA-00-0820-23
8	2	3/8	1-7/16	2-1/4	1	Roller	1550	UR9/CA-R-0820-12
8	2	3/8	1.780	2-1/4	3/4	Tapered	1550	UR9/CA-T-0820-12
8	2	3/8	1.980	2-1/4	1	Tapered	1550	UR9/CA-T-0820-16
8	2-1/2	3/8	1-3/16	2-3/4	1-3/16	-	1950	UR9/CA-00-0825-19
8	2-1/2	3/8	1-3/16	2-3/4	3/4	Roller	1950	UR9/CA-R-0825-12
8	2-1/2	3/8	1-3/16	2-3/4	1/2	Rol./Span.	1950	UR9/CA-RS-0825-08
8	2-1/2	3/8	1.375	2-3/4	1/2	Tapered	1950	UR9/CA-T-0825-08
8	2-1/2	3/8	1-15/16	2-3/4	1-15/16	-	1950	UR9/CA-00-0825-31
8	2-1/2	3/8	1-15/16	2-3/4	1	Roller	1950	UR9/CA-R-0825-16
8	2-1/2	3/8	1-15/16	2-3/4	3/4	Rol./Span.	1950	UR9/CA-RS-0825-12
8	2-1/2	3/8	1-15/16	2-3/4	1-1/4	Roller	1950	UR9/CA-R-0825-20
8	2-1/2	3/8	2.044	2-3/4	3/4	Prec. Ball	1950	UR9/CA-P-0825-12
8	2-1/2	3/8	1.780	2-3/4	3/4	Tapered	1950	UR9/CA-T-0825-12
8	2-1/2	3/8	1.980	2-3/4	1	Tapered	1950	UR9/CA-T-0825-16
8	2-1/2	3/8	1-15/16	3-1/4	1-15/16	-	1950	UR9/CA-00-0825-31
8	2-1/2	3/8	1-15/16	3-1/4	1	Roller	1950	UR9/CA-R-0825-16
8	2-1/2	3/8	1-15/16	3-1/4	3/4	Rol./Span.	1950	UR9/CA-RS-0825-12
8	2-1/2	3/8	1-15/16	3-1/4	1-1/4	Roller	1950	UR9/CA-R-0825-20
8	2-1/2	3/8	1-15/16	3-1/4	1	Rol./Span.	1950	UR9/CA-RS-0825-16
8	2-1/2	3/8	2.044	3-1/4	3/4	Prec. Ball	1950	UR9/CA-P-0825-12
8	2-1/2	3/8	1.780	3-1/4	3/4	Tapered	1950	UR9/CA-T-0825-12
8	2-1/2	3/8	1.980	3-1/4	1	Tapered	1950	UR9/CA-T-0825-16
8	3	1/2	1-15/16	3-1/4	1-15/16	-	2500	UR9/CA-00-0830-31
8	3	1/2	1-15/16	3-1/4	1	Roller	2500	UR9/CA-R-0830-16
8	3	1/2	1-15/16	3-1/4	3/4	Rol./Span.	2500	UR9/CA-RS-0830-12
8	3	1/2	1-15/16	3-1/4	1-1/4	Roller	2500	UR9/CA-R-0830-20
8	3	1/2	1-15/16	3-1/4	1	Rol./Span.	2500	UR9/CA-RS-0830-16
8	3	1/2	2.044	3-1/4	3/4	Prec. Ball	2500	UR9/CA-P-0830-12
8	3	1/2	1.780	3-1/4	3/4	Tapered	2500	UR9/CA-T-0830-12
8	3	1/2	1.980	3-1/4	1	Tapered	2500	UR9/CA-T-0830-16
8	3	1/2	2-7/16	3-1/4	2-7/16	-	2500	UR9/CA-00-0830-39
8	3	1/2	2-7/16	3-1/4	1-1/4	Roller	2500	UR9/CA-R-0830-20
8	3	1/2	2-7/16	3-1/4	1-1/2	Roller	2500	UR9/CA-R-0830-24
8	3	1/2	2.327	3-1/4	1-1/4	Tapered	2500	UR9/CA-T-0830-20

*R = Roller Bearing, T = Tapered Bearing, P = Precision Bearing, 00 = Plain Bore

(Continued on Next Page)

PREMIUM URETHANE / CAST IRON CORE - UR9/CA

Capacity Up to 3200 lbs.



- **Wet Conditions:** This offers special premium urethane treads for constant wet or moist conditions. Consult Acorn™.
- **Non-Sparking:** Urethane treads are non-sparking and non-conductive.
- **Noise Reduction:** Also available with softer premium urethane treads which significantly reduce noise in most applications.
- **Cast Iron:** Cast iron has a minimum tensile strength of 30,000 PSI.

FOR MORE EXTREME CAPACITY
APPLICATIONS EXTRA HARD 70D PREMIUM
URETHANE TREADS ARE RECOMMENDED.

ALL WHEELS AVAILABLE IN 70A, 80A, 95A
AND 70D DUROMETERS.

Dia. (in.)	Face (in.)	Tread (in.)	Bore (in.)	Hub Length (in.)	Axle (in.)	Bearing Type	Cap. (lbs.)	Part Number*
8	4	1/2	1-15/16	4-1/4	1-15/16	-	3200	UR9/CA-00-0840-31
8	4	1/2	1-15/16	4-1/4	1	Roller	3200	UR9/CA-R-0840-16
8	4	1/2	1-15/16	4-1/4	3/4	Rol./Span.	3200	UR9/CA-RS-0840-12
8	4	1/2	1-15/16	4-1/4	1-1/4	Roller	3200	UR9/CA-R-0840-20
8	4	1/2	1-15/16	4-1/4	1	Rol./Span.	3200	UR9/CA-RS-0840-20
8	4	1/2	1.780	4-1/4	3/4	Tapered	3200	UR9/CA-T-0840-12
8	4	1/2	1.980	4-1/4	1	Tapered	3200	UR9/CA-T-0840-16
8	4	1/2	2-7/16	4-1/4	2-7/16	-	3200	UR9/CA-00-0840-39
8	4	1/2	2-7/16	4-1/4	1-1/4	Roller	3200	UR9/CA-R-0840-20
8	4	1/2	2-7/16	4-1/4	1-1/2	Roller	3200	UR9/CA-R-0840-24
8	4	1/2	2.327	4-1/4	1-1/4	Tapered	3200	UR9/CA-T-0840-20
9	2	1/2	1-3/16	2-3/16	1-3/16	-	1800	UR9/CA-00-0920-19
9	2	1/2	1-3/16	2-3/16	3/4	Roller	1800	UR9/CA-R-0920-12
9	2	1/2	1-3/16	2-3/16	1/2	Rol./Span.	1800	UR9/CA-RS-0920-08
9	2	1/2	1.378	2-3/16	1/2	Prec. Ball	1800	UR9/CA-P-0920-08
9	2	1/2	1.375	2-3/16	1/2	Tapered	1800	UR9/CA-T-0920-08
9	2	1/2	1-15/16	2-1/4	1-15/16	-	1800	UR9/CA-00-0920-31
9	2	1/2	1-15/16	2-1/4	1	Roller	1800	UR9/CA-R-0920-16
9	2	1/2	1.780	2-1/4	3/4	Tapered	1800	UR9/CA-T-0920-12
9	2	1/2	1.980	2-1/4	1	Tapered	1800	UR9/CA-T-0920-16
9	2-1/2	1/2	1-15/16	2-3/4	1-15/16	-	2150	UR9/CA-00-0925-31
9	2-1/2	1/2	1-15/16	2-3/4	1	Roller	2150	UR9/CA-R-0925-31
9	2-1/2	1/2	1-15/16	2-3/4	3/4	Rol./Span.	2150	UR9/CA-RS-0925-12
9	2-1/2	1/2	1-15/16	2-3/4	1-1/4	Roller	2150	UR9/CA-R-0925-20
9	2-1/2	1/2	2.044	2-3/4	3/4	Prec. Ball	2150	UR9/CA-R-0925-12
9	2-1/2	1/2	1.780	2-3/4	3/4	Tapered	2150	UR9/CA-R-0925-12
9	2-1/2	1/2	1.980	2-3/4	1	Tapered	2150	UR9/CA-R-0925-16
9	3	1/2	1-15/16	3-1/4	1-15/16	-	2600	UR9/CA-00-0930-31
9	3	1/2	1-15/16	3-1/4	1	Roller	2600	UR9/CA-R-0930-16
9	3	1/2	1-15/16	3-1/4	3/4	Rol./Span.	2600	UR9/CA-RS-0930-12
9	3	1/2	1-15/16	3-1/4	1-1/4	Roller	2600	UR9/CA-R-0930-20
9	3	1/2	2.044	3-1/4	3/4	Prec. Ball	2600	UR9/CA-P-0930-12
9	3	1/2	1.780	3-1/4	3/4	Tapered	2600	UR9/CA-T-0930-12
9	3	1/2	1.980	3-1/4	1	Tapered	2600	UR9/CA-T-0930-16
10	2-1/2	1/2	1-15/16	2-3/4	1-15/16	-	2500	UR9/CA-00-1025-31
10	2-1/2	1/2	1-15/16	2-3/4	1	Roller	2500	UR9/CA-R-1025-16
10	2-1/2	1/2	1-15/16	2-3/4	3/4	Rol./Span.	2500	UR9/CA-RS-1025-12
10	2-1/2	1/2	1-15/16	2-3/4	1-1/4	Roller	2500	UR9/CA-R-1025-20
10	2-1/2	1/2	1-15/16	2-3/4	1	Rol./Span.	2500	UR9/CA-RS-1025-16
10	2-1/2	1/2	2.044	2-3/4	3/4	Prec. Ball	2500	UR9/CA-P-1025-12
10	2-1/2	1/2	1.780	2-3/4	3/4	Tapered	2500	UR9/CA-T-1025-12
10	2-1/2	1/2	1.980	2-3/4	1	Tapered	2500	UR9/CA-T-1025-16

*R = Roller Bearing, T = Tapered Bearing, P = Precision Bearing, 00 = Plain Bore

(Continued on Next Page)

PREMIUM URETHANE / CAST IRON CORE - UR9/CA

Capacity Up to 5000 lbs.



- **Constant Rotation:** Capacities are based on intermittent use. Constant rotation reduces capacities.

- **Bearing Lubrication:** Bearings require additional lubrication prior to use.

- **Chemical Resistance:** Urethane Wheels are resistant to most chemicals, solvents, and detergents.

- **Increased Capacities:** Harder poly treads, available in all sizes, increase stated capacity substantially. Please consult Acorn™.

FOR MORE EXTREME CAPACITY APPLICATIONS EXTRA HARD 70D PREMIUM URETHANE TREADS ARE RECOMMENDED.

ALL WHEELS AVAILABLE IN 70A, 80A, 95A AND 70D DUROMETERS.

*R = Roller Bearing, T = Tapered Bearing, P = Precision Bearing, 00 = Plain Bore

Dia. (in.)	Face (in.)	Tread (in.)	Bore (in.)	Hub Length (in.)	Axle (in.)	Bearing Type	Cap. (lbs.)	Part Number*
10	3	1/2	1-15/16	3-1/4	1-15/16	-	3000	UR9/CA-00-1030-31
10	3	1/2	1-15/16	3-1/4	1	Roller	3000	UR9/CA-R-1030-16
10	3	1/2	1-15/16	3-1/4	3/4	Rol./Span.	3000	UR9/CA-RS-1030-12
10	3	1/2	1-15/16	3-1/4	1-1/4	Roller	3000	UR9/CA-R-1030-20
10	3	1/2	1-15/16	3-1/4	1	Rol./Span.	3000	UR9/CA-RS-1030-16
10	3	1/2	2.044	3-1/4	3/4	Prec. Ball	3000	UR9/CA-P-1030-12
10	3	1/2	1.780	3-1/4	3/4	Tapered	3000	UR9/CA-T-1030-12
10	3	1/2	1.980	3-1/4	1	Tapered	3000	UR9/CA-T-1030-16
10	3	1/2	2-7/16	3-1/4	2-7/16	-	3000	UR9/CA-00-1030-39
10	3	1/2	2-7/16	3-1/4	1-1/4	Roller	3000	UR9/CA-R-1030-20
10	3	1/2	2-7/16	3-1/4	1-1/2	Roller	3000	UR9/CA-R-1030-24
10	3	1/2	2.327	3-1/4	1-1/4	Tapered	3000	UR9/CA-T-1030-20
10	4	1/2	2-7/16	4-1/4	2-7/16	-	4200	UR9/CA-00-1040-39
10	4	1/2	2-7/16	4-1/4	1-1/4	Roller	4200	UR9/CA-R-1040-20
10	4	1/2	2-7/16	4-1/4	1-1/2	Roller	4200	UR9/CA-R-1040-24
10	4	1/2	2.437	4-1/4	1	Tapered	4200	UR9/CA-T-1040-16
10	4	1/2	2.327	4-1/4	1-1/4	Tapered	4200	UR9/CA-T-1040-20
10	4	1	1-15/16	4-1/4	1-15/16	-	4500	UR9/CA-00-1040-31
10	4	1	1-15/16	4-1/4	1	Roller	4500	UR9/CA-R-1040-16
10	4	1	1-15/16	4-1/4	1-1/4	Roller	4500	UR9/CA-R-1040-20
10	4	1	1.937	4-1/4	3/4	Tapered	4500	UR9/CA-T-1040-12
10	4	1	1.980	4-1/4	1	Tapered	4500	UR9/CA-T-1040-16
10	5	1/2	2-7/16	5-1/4	2-7/16	-	5000	UR9/CA-00-1050-39
10	5	1/2	2-7/16	5-1/4	1-1/4	Roller	5000	UR9/CA-R-1050-20
10	5	1/2	2-7/16	5-1/4	1-1/2	Roller	5000	UR9/CA-R-1050-24
10	5	1/2	2.437	5-1/4	1	Tapered	5000	UR9/CA-T-1050-16
10	5	1/2	2.327	5-1/4	1-1/4	Tapered	5000	UR9/CA-T-1050-20
10	5	1	2-7/16	5-1/4	2-7/16	-	5700	UR9/CA-00-1050-39
10	5	1	2-7/16	5-1/4	1-1/4	Roller	5700	UR9/CA-R-1050-20
10	5	1	2-7/16	5-1/4	1-1/2	Roller	5700	UR9/CA-R-1050-24
10	5	1	2.437	5-1/4	1	Tapered	5700	UR9/CA-T-1050-16
10	5	1	2.327	5-1/4	1-1/4	Tapered	5700	UR9/CA-T-1050-20
10	5	1	2.717	5-1/4	1-1/2	Tapered	5700	UR9/CA-T-1050-24
12	2-1/2	1/2	1-5/16	2-3/4	1-5/16	-	2800	UR9/CA-00-1225-21
12	2-1/2	1/2	1-5/16	2-3/4	1	Roller	2800	UR9/CA-R-1225-16
12	2-1/2	1/2	1-5/16	2-3/4	3/4	Rol./Span.	2800	UR9/CA-RS-1225-12
12	2-1/2	1/2	1-5/16	2-3/4	1-1/4	Roller	2800	UR9/CA-R-1225-20
12	2-1/2	1/2	1-5/16	2-3/4	1	Rol./Span.	2800	UR9/CA-RS-1225-16
12	2-1/2	1/2	2.044	2-3/4	3/4	Prec. Ball	2800	UR9/CA-P-1225-12
12	2-1/2	1/2	1.780	2-3/4	3/4	Tapered	2800	UR9/CA-T-1225-12
12	2-1/2	1/2	1.980	2-3/4	1	Tapered	2800	UR9/CA-T-1225-16
12	2-1/2	1/2	1-5/16	3-1/4	1-5/16	-	2800	UR9/CA-00-1225-21
12	2-1/2	1/2	1-5/16	3-1/4	1	Roller	2800	UR9/CA-R-1225-16
12	2-1/2	1/2	1-5/16	3-1/4	3/4	Rol./Span.	2800	UR9/CA-RS-1225-12
12	2-1/2	1/2	1-5/16	3-1/4	1-1/4	Roller	2800	UR9/CA-R-1225-20
12	2-1/2	1/2	1-5/16	3-1/4	1	Rol./Span.	2800	UR9/CA-RS-1225-16
12	2-1/2	1/2	2.044	3-1/4	3/4	Prec. Ball	2800	UR9/CA-P-1225-12
12	2-1/2	1/2	1.780	3-1/4	3/4	Tapered	2800	UR9/CA-T-1225-12
12	2-1/2	1/2	1.980	3-1/4	1	Tapered	2800	UR9/CA-T-1225-16

(Continued on Next Page)

PREMIUM URETHANE / CAST IRON CORE - UR9/CA

Capacity Up to 7800 lbs.



• **Ultra Thick Treads:** Ultra thick treads are available on all sizes. Thicker tread provides more cushioning and greater capacity in most applications.

• **Precision Ball Bearings:** All 1-1/2" to 3" wide wheels are available with sealed precision grade ball bearings and T-bushing set-up.

• **Three Tread Colors:** Three colors of premium urethane to choose from at no additional cost—green, red or blue. Green tread is our standard and is most readily available from stock. Other colors are available.

**FOR MORE EXTREME CAPACITY
APPLICATIONS EXTRA HARD 70D PREMIUM
URETHANE TREADS ARE RECOMMENDED.**

**ALL WHEELS AVAILABLE IN 70A, 80A, 95A
AND 70D DUROMETERS.**

*R = Roller Bearing, T = Tapered Bearing, P = Precision Bearing, 00 = Plain Bore

Dia. (in.)	Face (in.)	Tread (in.)	Bore (in.)	Hub Length (in.)	Axle (in.)	Bearing Type	Cap. (lbs.)	Part Number*
12	3	1/2	1-5/16	3-1/4	1-5/16	-	3500	UR9/CA-00-1230-21
12	3	1/2	1-5/16	3-1/4	1	Roller	3500	UR9/CA-R-1230-16
12	3	1/2	1-5/16	3-1/4	3/4	Roll./Span.	3500	UR9/CA-RS-1230-12
12	3	1/2	1-5/16	3-1/4	1-1/4	Roller	3500	UR9/CA-R-1230-20
12	3	1/2	1-5/16	3-1/4	1	Roll./Span.	3500	UR9/CA-RS-1230-16
12	3	1/2	2.044	3-1/4	3/4	Prec. Ball	3500	UR9/CA-P-1230-12
12	3	1/2	1.780	3-1/4	3/4	Tapered	3500	UR9/CA-T-1230-12
12	3	1/2	1.980	3-1/4	1	Tapered	3500	UR9/CA-T-1230-16
12	3	1/2	2-7/16	3-1/4	2-7/16	-	3500	UR9/CA-00-1230-39
12	3	1/2	2-7/16	3-1/4	1-1/4	Roller	3500	UR9/CA-R-1230-20
12	3	1/2	2-7/16	3-1/4	1-1/2	Roller	3500	UR9/CA-R-1230-24
12	3	1/2	2.327	3-1/4	1-1/4	Tapered	3500	UR9/CA-T-1230-20
12	3-1/2	1/2	2-7/16	4-1/4	2-7/16	-	4200	UR9/CA-00-1235-39
12	3-1/2	1/2	2-7/16	4-1/4	1-1/4	Roller	4200	UR9/CA-R-1235-20
12	3-1/2	1/2	2-7/16	4-1/4	1-1/2	Roller	4200	UR9/CA-R-1235-24
12	3-1/2	1/2	2.437	4-1/4	1	Tapered	4200	UR9/CA-T-1235-16
12	3-1/2	1/2	2.327	4-1/4	1-1/4	Tapered	4200	UR9/CA-T-1235-20
12	4	1/2	2-7/16	4-1/4	2-7/16	-	4800	UR9/CA-00-1240-39
12	4	1/2	2-7/16	4-1/4	1-1/4	Roller	4800	UR9/CA-R-1240-20
12	4	1/2	2-7/16	4-1/4	1-1/2	Roller	4800	UR9/CA-R-1240-24
12	4	1/2	2.437	4-1/4	1	Tapered	4800	UR9/CA-T-1240-16
12	4	1/2	2.327	4-1/4	1-1/4	Tapered	4800	UR9/CA-T-1240-20
12	5	1/2	2-7/16	5-1/4	2-7/16	-	6000	UR9/CA-00-1250-39
12	5	1/2	2-7/16	5-1/4	1-1/4	Roller	6000	UR9/CA-R-1250-20
12	5	1/2	2-7/16	5-1/4	1-1/2	Roller	6000	UR9/CA-R-1250-24
12	5	1/2	2.437	5-1/4	1	Tapered	6000	UR9/CA-T-1250-16
12	5	1/2	2.327	5-1/4	1-1/4	Tapered	6000	UR9/CA-T-1250-20
12	6	1	2-7/16	6-1/4	2-7/16	-	7800	UR9/CA-00-1260-39
12	6	1	2-7/16	6-1/4	1-1/4	Roller	7800	UR9/CA-R-1260-20
12	6	1	2-7/16	6-1/4	1-1/2	Roller	7800	UR9/CA-R-1260-24
12	6	1	2.437	6-1/4	1	Tapered	7800	UR9/CA-T-1260-16
12	6	1	2.437	6-1/4	1-1/4	Tapered	7800	UR9/CA-T-1260-20
12	6	1	2.717	6-1/4	1-1/2	Tapered	7800	UR9/CA-T-1260-24
12	6	1	3.187	6-1/4	2	Tapered	7800	UR9/CA-T-1260-32
14	2-1/2	1	1-5/16	2-3/4	1-5/16	-	3000	UR9/CA-00-1425-21
14	2-1/2	1	1-5/16	2-3/4	1	Roller	3000	UR9/CA-R-1425-16
14	2-1/2	1	1-5/16	2-3/4	3/4	Roll./Span.	3000	UR9/CA-RS-1425-12
14	2-1/2	1	1-5/16	2-3/4	1-1/4	Roller	3000	UR9/CA-R-1425-20
14	2-1/2	1	1-5/16	2-3/4	1	Roll./Span.	3000	UR9/CA-RS-1425-16
14	2-1/2	1	2.044	2-3/4	3/4	Prec. Ball	3000	UR9/CA-P-1425-12
14	2-1/2	1	1.780	2-3/4	3/4	Tapered	3000	UR9/CA-T-1425-12
14	2-1/2	1	1.980	2-3/4	1	Tapered	3000	UR9/CA-T-1425-16
14	3	1	1-5/16	3-1/4	1-5/16	-	3650	UR9/CA-00-1430-21
14	3	1	1-5/16	3-1/4	1	Roller	3650	UR9/CA-R-1430-16
14	3	1	1-5/16	3-1/4	3/4	Roll./Span.	3650	UR9/CA-R-1430-12
14	3	1	1-5/16	3-1/4	1-1/4	Roller	3650	UR9/CA-R-1430-20
14	3	1	1-5/16	3-1/4	1	Roll./Span.	3650	UR9/CA-R-1430-16
14	3	1	2.044	3-1/4	3/4	Prec. Ball	3650	UR9/CA-P-1430-12
14	3	1	1.780	3-1/4	3/4	Tapered	3650	UR9/CA-T-1430-12
14	3	1	1.980	3-1/4	1	Tapered	3650	UR9/CA-T-1430-16
14	3	1	2.327	3-1/4	1-1/4	Tapered	3650	UR9/CA-T-1430-20

(Continued on Next Page)

PREMIUM URETHANE / CAST IRON CORE - UR9/CA

Capacity Up to 7700 lbs.



- **Cast Iron:** All cast iron is Class 30 minimum and "Made in the U.S.A."
- **Metric Sizes:** Metric sized wheels available.
- **Tapered Bearings:** All tapered roller bearing wheels come complete with seals and spacers.
- **Alternate Bore Sizes:** Non-standard bore sizes are available on most wheels.
- **Tensile Strength:** The tensile strength of our standard premium urethane is 7400 PSI.

**FOR MORE EXTREME CAPACITY
APPLICATIONS EXTRA HARD 70D PREMIUM
URETHANE TREADS ARE RECOMMENDED.**

**ALL WHEELS AVAILABLE IN 70A, 80A, 95A
AND 70D DUROMETERS.**

Dia. (in.)	Face (in.)	Tread (in.)	Bore (in.)	Hub Length (in.)	Axle (in.)	Bearing Type	Cap. (lbs.)	Part Number*
14	5	1	2-7/16	5-1/4	2-7/16	-	5500	UR9/CA-00-1450-39
14	5	1	2-7/16	5-1/4	1-1/4	Roller	5500	UR9/CA-R-1450-20
14	5	1	2-7/16	5-1/4	1-1/2	Roller	5500	UR9/CA-R-1450-24
14	5	1	2.437	5-1/4	1	Tapered	5500	UR9/CA-T-1450-16
14	5	1	2.326	5-1/4	1-1/4	Tapered	5500	UR9/CA-T-1450-20
14	5	1	2.717	5-1/4	1-1/2	Tapered	5500	UR9/CA-T-1450-24
16	3	1	1-5/16	3-1/4	1-5/16	-	3750	UR9/CA-00-1630-21
16	3	1	1-5/16	3-1/4	1	Roller	3750	UR9/CA-R-1630-16
16	3	1	1-5/16	3-1/4	3/4	Rol./Span.	3750	UR9/CA-RS-1630-12
16	3	1	1-5/16	3-1/4	1-1/4	Roller	3750	UR9/CA-R-1630-20
16	3	1	1-5/16	3-1/4	1	Rol./Span.	3750	UR9/CA-RS-1630-16
16	3	1	2.044	3-1/4	3/4	Prec. Ball	4500	UR9/CA-P-1630-12
16	3	1	1.780	3-1/4	3/4	Tapered	4500	UR9/CA-T-1630-12
16	3	1	1.980	3-1/4	1	Tapered	4500	UR9/CA-T-1630-16
16	3	1	2-7/16	3-1/4	2-7/16	-	4500	UR9/CA-00-1630-39
16	3	1	2-7/16	3-1/4	1-1/4	Roller	4500	UR9/CA-R-1630-20
16	3	1	2-7/16	3-1/4	1-1/2	Roller	4500	UR9/CA-R-1630-24
16	3	1	2.437	3-1/4	1-1/4	Tapered	4500	UR9/CA-T-1630-20
16	4	1/2	2-7/16	4-1/4	2-7/16	-	5500	UR9/CA-00-1640-39
16	4	1/2	2-7/16	4-1/4	1-1/4	Roller	5500	UR9/CA-R-1640-20
16	4	1/2	2-7/16	4-1/4	1-1/2	Roller	5500	UR9/CA-R-1640-24
16	4	1/2	2.437	4-1/4	1	Tapered	5500	UR9/CA-T-1640-16
16	4	1/2	2.327	4-1/4	1-1/4	Tapered	5500	UR9/CA-T-1640-20
16	4	1	2-7/16	4-1/4	2-7/16	-	6000	UR9/CA-00-1640-39
16	4	1	2-7/16	4-1/4	1-1/4	Roller	6000	UR9/CA-R-1640-20
16	4	1	2-7/16	4-1/4	1-1/2	Roller	6000	UR9/CA-R-1640-24
16	4	1	2.437	4-1/4	1	Tapered	6000	UR9/CA-T-1640-16
16	4	1	2.327	4-1/4	1-1/4	Tapered	6000	UR9/CA-T-1640-20
16	5	1	2-7/16	5-1/4	2-7/16	-	7700	UR9/CA-00-1650-39
16	5	1	2-7/16	5-1/4	1-1/4	Roller	7700	UR9/CA-R-1650-20
16	5	1	2-7/16	5-1/4	1-1/2	Roller	7700	UR9/CA-R-1650-24
16	5	1	3-1/16	5-1/4	1-3/4	Roller	7700	UR9/CA-R-1650-28
16	5	1	3-1/4	5-1/4	2	Roller	7700	UR9/CA-R6-1650-32
16	5	1	2.437	5-1/4	1	Tapered	7700	UR9/CA-T-1650-16
16	5	1	2.437	5-1/4	1-1/4	Tapered	7700	UR9/CA-T-1650-20
16	5	1	2.717	5-1/4	1-1/2	Tapered	7700	UR9/CA-T-1650-24
18	3	1	2-7/16	3-1/4	2-7/16	-	4600	UR9/CA-00-1830-39
18	3	1	2-7/16	3-1/4	1-1/4	Roller	4600	UR9/CA-R-1830-20
18	3	1	2-7/16	3-1/4	1-1/2	Rol./Span.	4600	UR9/CA-RS3-1830-24
18	3	1	1.780	3-1/4	1-1/2	Tapered	4600	UR9/CA-T-1830-24
18	3	1	1.980	3-1/4	1-1/2	Tapered	4600	UR9/CA-T-1830-24
18	3	1	2.326	3-1/4	1-1/2	Tapered	4600	UR9/CA-T-1830-24
18	3	1	2-7/16	4-1/4	2-7/16	-	4600	UR9/CA-00-1830-39
18	3	1	2-7/16	4-1/4	1-1/4	Roller	4600	UR9/CA-R-1830-20
18	3	1	2-7/16	4-1/4	1-1/2	Roller	4600	UR9/CA-R-1830-24
18	3	1	1.780	4-1/4	1-1/2	Tapered	4600	UR9/CA-T-1830-24
18	3	1	1.980	4-1/4	1-1/2	Tapered	4600	UR9/CA-T-1830-24
18	3	1	2.326	4-1/4	1-1/2	Tapered	4600	UR9/CA-T-1830-24

(Continued on Next Page)

*R = Roller Bearing, T = Tapered Bearing, P = Precision Bearing, 00 = Plain Bore

PREMIUM URETHANE / CAST IRON CORE - UR9/CA

Capacity Up to 9000 lbs.



• **Special Premium Urethanes:** Choice of premium urethane hardness: 95A is standard and suitable for most applications; however, we offer a complete range of urethane types and hardness as options. (Non-standard compounds may extend delivery time.)

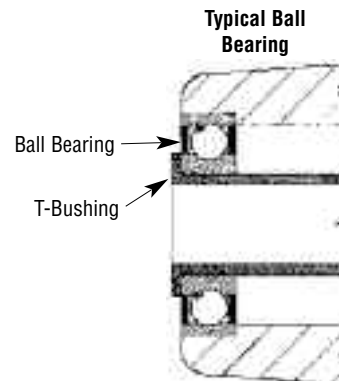
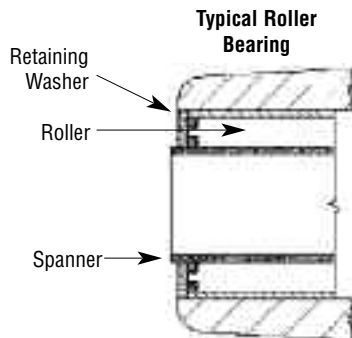
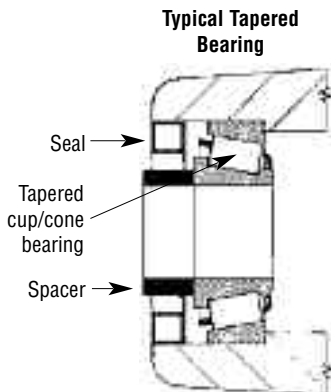
• **Three Tread Colors:** Three colors of premium urethane to choose from at no additional cost—green, red or blue. Green tread is our standard and is most readily available from stock. Other colors available.

FOR MORE EXTREME CAPACITY APPLICATIONS EXTRA HARD 70D PREMIUM URETHANE TREADS ARE RECOMMENDED.

ALL WHEELS AVAILABLE IN 70A, 80A, 95A AND 70D DUROMETERS.

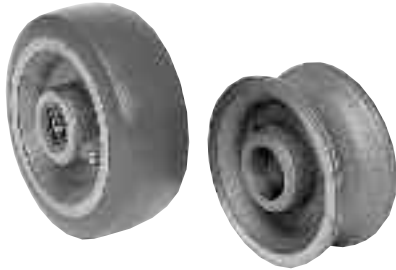
Dia. (in.)	Face (in.)	Tread (in.)	Bore (in.)	Hub Length (in.)	Axle (in.)	Bearing Type	Cap. (lbs.)	Part Number*
18	3-1/2	1	2-7/16	4-1/4	2-7/16	-	5350	UR9/CA-00-1835-39
18	3-1/2	1	2-7/16	4-1/4	1-1/4	Roller	5350	UR9/CA-R-1835-20
18	3-1/2	1	2-7/16	4-1/4	1-1/2	Roller	5350	UR9/CA-R-1835-24
18	3-1/2	1	2.437	4-1/4	1	Tapered	5350	UR9/CA-T-1835-16
18	3-1/2	1	2.327	4-1/4	1-1/4	Tapered	5350	UR9/CA-T-1835-20
18	5	1	2-7/16	5-1/4	2-7/16	-	8400	UR9/CA-00-1850-39
18	5	1	2-7/16	5-1/4	1-1/4	Roller	8400	UR9/CA-R-1850-20
18	5	1	2-7/16	5-1/4	1-1/2	Roller	8400	UR9/CA-R-1850-24
18	5	1	3-1/16	5-1/4	1-3/4	Roller	8400	UR9/CA-R-1850-28
18	5	1	3-1/4	5-1/4	2	Roller	8400	UR9/CA-R-1850-32
18	5	1	2.437	5-1/4	1	Tapered	8400	UR9/CA-T-1850-16
18	5	1	2.437	5-1/4	1-1/4	Tapered	8400	UR9/CA-T-1850-20
18	5	1	2.717	5-1/4	1-1/4	Tapered	8400	UR9/CA-T-1850-20
18	5	1	3.187	5-1/4	2	Tapered	8400	UR9/CA-T-1850-32
20	3	1	2-7/16	3-1/4	2-7/16	-	5000	UR9/CA-00-2030-39
20	3	1	2-7/16	3-1/4	1	Roller/Span.	5000	UR9/CA-RS-2030-16
20	3	1	2-7/16	3-1/4	1-1/4	Roller	5000	UR9/CA-R-2030-20
20	3	1	2-7/16	3-1/4	1-1/2	Roller	5000	UR9/CA-R-2030-24
20	3	1	1.780	3-1/4	3/4	Tapered	5000	UR9/CA-T-2030-12
20	3	1	1.980	3-1/4	1	Tapered	5000	UR9/CA-T-2030-16
20	3	1	2.327	3-1/4	1-1/4	Tapered	5000	UR9/CA-T-2030-20
20	3	1	2-7/16	4-1/4	2-7/16	-	5000	UR9/CA-00-2030-39
20	3	1	2-7/16	4-1/4	1	Roller/Span.	5000	UR9/CA-RS-2030-16
20	3	1	2-7/16	4-1/4	1-1/4	Roller	5000	UR9/CA-R-2030-20
20	3	1	2-7/16	4-1/4	1-1/2	Roller	5000	UR9/CA-R-2030-24
20	3	1	1.780	4-1/4	3/4	Tapered	5000	UR9/CA-T-2030-12
20	3	1	1.980	4-1/4	1	Tapered	5000	UR9/CA-T-2030-16
20	3	1	2.327	4-1/4	1-1/4	Tapered	5000	UR9/CA-T-2030-20
20	5	1	2-7/16	5-1/4	2-7/16	-	9000	UR9/CA-00-2030-39
20	5	1	2-7/16	5-1/4	1-1/4	Roller	9000	UR9/CA-R-2030-20
20	5	1	2-7/16	5-1/4	1-1/2	Roller	9000	UR9/CA-R-2030-24
20	5	1	3-1/16	5-1/4	1-3/4	Roller	9000	UR9/CA-R-2030-28
20	5	1	3-1/4	5-1/4	2	Roller	9000	UR9/CA-R-2030-32
20	5	1	2.437	5-1/4	1	Tapered	9000	UR9/CA-T-2030-16
20	5	1	2.437	5-1/4	1-1/4	Tapered	9000	UR9/CA-T-2030-20
20	5	1	2.717	5-1/4	1-1/4	Tapered	9000	UR9/CA-T-2030-20
20	5	1	3.187	5-1/4	2	Tapered	9000	UR9/CA-T-2030-32

*R = Roller Bearing, T = Tapered Bearing, P = Precision Bearing, 00 = Plain Bore



QUIETRIDE™ PREMIUM URETHANE / HEAVY DUTY IRON CORE - URQ9/CA/HD

Capacity Up to 3700 lbs.



Dia. (in.)	Face (in.)	Tread (in.)	Bore (in.)	Hub (in.)	Axle (in.)	Cap. (lbs.)	Part Number*
8	3	1	1-15/16	3-1/4	1-15/16	3500	URQ9/CA/HD-00-0830-31
8	3	1	1-15/16	3-1/4	1	3500	URQ9/CA/HD-R-0830-16
8	3	1	1-15/16	3-1/4	3/4	3500	URQ9/CA/HD-R-0830-12
8	3	1	1-15/16	3-1/4	1-1/4	3500	URQ9/CA/HD-R-0830-20
8	3	1	1.780	3-1/4	3/4	3500	URQ9/CA/HD-T-0830-12
8	3	1	1.980	3-1/4	1	3500	URQ9/CA/HD-T-0830-16
10	3	1	1-15/16	3-1/4	1-15/16	3700	URQ9/CA/HD-00-1030-31
10	3	1	1-15/16	3-1/4	1	3700	URQ9/CA/HD-R-1030-16
10	3	1	1-15/16	3-1/4	3/4	3700	URQ9/CA/HD-R-1030-12
10	3	1	1-15/16	3-1/4	1-1/4	3700	URQ9/CA/HD-R-1030-20
10	3	1	1.780	3-1/4	3/4	3700	URQ9/CA/HD-T-1030-12
10	3	1	1.980	3-1/4	1	3700	URQ9/CA/HD-T-1030-16

*R = Roller Bearing, T = Tapered Bearing, P = Precision Bearing, 00 = Plain Bore

QuietRide™: Designed to roll more quietly than regular premium urethane on iron wheels, these heavy duty wheels were expressly designed to reduce the noise level of towed trailers in large automotive plants. Special Soft tread is available for further noise reduction and debris rejection.

Concave Face: The unique concave face of the casting concentrates the compression of the urethane toward the centerline of the tread. This innovation simulates the cushioning benefits of a thicker, softer tread, but provides the same durability and long life as our other heavy duty wheels.

Automotive Industry: Thousands of QUIET RIDE™ wheels are currently in use in the automotive industry, where they have met with great approval for successfully contributing to quieter plant environments.

Mechanical Lock: In addition to the chemical bond of the tread tire, the concave face of the casting gives an additional mechanical lock.

PREMIUM URETHANE / FORGED STEEL CORE - UR9/FS

Capacity Up to 5500 lbs.



Dia. (in.)	Face (in.)	Tread (in.)	Bore (in.)	Hub Length (in.)	Axle (in.)	Bearing Type	Capacity (lbs.)	Part Number*
8	3	1	1.780	3-1/4	3/4	Tapered	3500	UR9/FS-T-0830-12
8	3	1	1.980	3-1/4	1	Tapered	3500	UR9/FS-T-0830-16
8	3	1	2.327	3-1/4	1-1/4	Tapered	3500	UR9/FS-T-0830-20
8	3	1	2.717	3-1/4	1-1/2	Tapered	3500	UR9/FS-T-0830-24
10	3	1	1.780	3-1/4	3/4	Tapered	3700	UR9/FS-T-1030-12
10	3	1	1.980	3-1/4	1	Tapered	3700	UR9/FS-T-1030-16
10	4	1	2.437	4-1/4	1	Tapered	5000	UR9/FS-T-1040-16
10	4	1	2.437	4-1/4	1-1/4	Tapered	5000	UR9/FS-T-1040-20
10	4	1	2.717	4-1/4	1-1/2	Tapered	5000	UR9/FS-T-1040-24
12	4	1	2.437	4-1/4	1	Tapered	5500	UR9/FS-T-1240-16
12	4	1	2.437	4-1/4	1-1/4	Tapered	5500	UR9/FS-T-1240-20
12	4	1	2.717	4-1/4	1-1/2	Tapered	5500	UR9/FS-T-1240-24

*R = Roller Bearing, T = Tapered Bearing, P = Precision Bearing, 00 = Plain Bore

Extra Thick Tread: One inch thick tread is standard in all sizes. Provides greater load bearing and cushioning.

Standard Features: Grease seals, spacers and lube fittings standard on all models.

Forged Steel Center: Virtually indestructible wheel center combined with extra thick tread and tapered roller bearings makes an unparalleled “bullet proof” combination for severe applications that require a resilient tread.

Non-standard Treads: Tread can be modified to fit various applications such as greater load capacity or debris rejection.

Extreme Capacity: Available with extra hard premium urethane for greatest capacities. Consult Acorn™ for details.

PREMIUM URETHANE / IRON CORE / PRECISION BALL BEARINGS - UR9/CA

Capacity Up to 4500 lbs.



Premium Urethane on Iron with Precision Ball Bearings. An easy rolling, low maintenance workhorse of a wheel. The “sealed for life” precision grade ball bearings never need lubrication and the T-bushing setup allows the user to tighten down the axle without constricting the inner race. Greatly improved rollability solves many ergonomic problems. Frequently, this results in reduced workplace injuries.

Wheel Options

- Extra hard tread
- Debris resistant tread
- Double bearings
- Soft cushioned tread
- Extra rollability tread
- **Even Better Rollability:** Also available in special urethanes that can further improve rollability by as much as 40%.
- **Debris/Chip Resistant:** All sizes are available with a special compound that effectively resists debris and chips.
- **Crown Tread:** No-parting-line crown tread is standard on most sizes from 4” to 12” diameter.

Dia. (in.)	Face (in.)	Tread (in.)	Bore (in.)	Hub Length (in.)	Axle (in.)	Bearing Type	Cap. (lbs.)	Part Number
3	1-1/2	1/4	1.378	1-5/8	1/2	Prec. Ball	400	UR9/CA-P-0315-08
3	2	1/4	1.378	2-3/16	1/2	Prec. Ball	500	UR9/CA-P-0320-08
3-1/4	1-1/2	3/8	1.378	1-5/8	1/2	Prec. Ball	450	UR9/CA-P-0315-08
3-1/4	2	3/8	1.378	2-3/16	1/2	Prec. Ball	550	UR9/CA-P-0320-08
4	1-1/2	3/8	1.378	1-5/8	1/2	Prec. Ball	675	UR9/CA-P-0415-08
4	2	3/8	1.378	2-3/16	1/2	Prec. ball	750	UR9/CA-P-0420-08
4	3-1/4	3/8	2.044	3-1/4	3/4	Prec. ball	1275	UR9/CA-P-0432-12
5	1-1/2	3/8	1.378	1-5/8	1/2	Prec. Ball	700	UR9/CA-P-0515-08
5	2	3/8	1.575	2-3/16	1/2	Prec. Ball	1050	UR9/CA-P-0520-08
5	2-1/2	3/8	2.044	2-3/4	3/4	Prec. Ball	1325	UR9/CA-P-0525-12
5	3	3/8	2.044	3-1/4	3/4	Prec. Ball	1550	UR9/CA-P-0530-12
6	1-1/2	3/8	1.378	1-5/8	1/2	Prec. Ball	855	UR9/CA-P-0615-08
6	2	3/8	1.575	2-3/16	1/2	Prec. Ball	1250	UR9/CA-P-0620-08
6	2-1/2	3/8	2.044	2-3/4	3/4	Prec. Ball	1650	UR9/CA-P-0625-12
6	2-1/2	3/8	2.044	3-1/4	3/4	Prec. Ball	1650	UR9/CA-P-0625-12
6	3	1/2	2.044	3-1/4	3/4	Prec. Ball	2200	UR9/CA-P-0630-12
7	2	3/8	1.375	2-3/16	1/2	Prec. Ball	1350	UR9/CA-P-0720-08
7	2-1/2	3/8	2.044	2-3/4	3/4	Prec. Ball	1750	UR9/CA-P-0725-12
7	3	1/2	2.044	3-1/4	3/4	Prec. Ball	1950	UR9/CA-P-0730-12
8	2	3/8	1.575	3-3/16	1/2	Prec. Ball	1550	UR9/CA-P-0820-08
8	2-1/2	3/8	2.044	2-3/4	3/4	Prec. Ball	1950	UR9/CA-P-0825-12
8	2-1/2	3/8	2.044	3-1/4	3/4	Prec. Ball	1950	UR9/CA-P-0825-12
8	3	1/2	2.044	3-1/4	3/4	Prec. Ball	2500	UR9/CA-P-0830-12
9	2	1/2	1.378	2-3/16	1/2	Prec. Ball	1800	URP3-P1-0920-08
9	2-1/2	1/2	2.044	2-3/4	3/4	Prec. Ball	2150	UR9/CA-P-0925-12
9	3	1/2	2.044	3-1/4	3/4	Prec. Ball	2600	UR9/CA-P-0930-12
10	2-1/2	1/2	2.044	2-3/4	3/4	Prec. Ball	2500	UR9/CA-P-1025-12
10	3	1/2	2.044	3-1/4	3/4	Prec. Ball	3000	UR9/CA-P-1030-12
12	2-1/2	1/2	2.044	2-3/4	3/4	Prec. Ball	2800	UR9/CA-P-1225-12
12	2-1/2	1/2	2.044	3-1/4	3/4	Prec. Ball	2800	UR9/CA-P-1225-12
12	3	1/2	2.044	3-1/4	3/4	Prec. Ball	3500	UR9/CA-P-1230-12
14	2-1/2	1	2.044	2-3/4	3/4	Prec. Ball	3000	UR9/CA-P-1425-12
14	3	1	2.044	3-1/4	3/4	Prec. Ball	3650	UR9/CA-P-1430-12
16	3	1	2.044	3-1/4	3/4	Prec. Ball	4500	UR9/CA-P-1630-12

*R = Roller Bearing, T = Tapered Bearing, P = Precision Bearing, 00 = Plain Bore

FOR MORE EXTREME CAPACITY APPLICATIONS EXTRA HARD 70D PREMIUM URETHANE TREADS ARE RECOMMENDED.

ALL WHEELS AVAILABLE IN 70A, 80A, 95A AND 70D DUROMETERS.

PREMIUM URETHANE / ALUMINUM CORE - UR9/AL

Capacity Up to 3500 lbs.



- **Liquid Cast:** Wheels are “liquid cast” premium urethane chemically bonded to aluminum centers. Castings have a solid web design which provides greater strength and easy cleanability.
- **Additional Sizes:** Additional sizes are available. Please consult the factory.
- **Crown or Flat Tread:** All poly on aluminum wheels are available with a unique no-parting-line crown tread or flat tread (except 10x2 which is available in flat tread only).

FOR MORE EXTREME CAPACITY APPLICATIONS EXTRA HARD 70D PREMIUM URETHANE TREADS ARE RECOMMENDED.

ALL WHEELS AVAILABLE IN 70A, 80A, 95A AND 70D DUROMETERS.

Dia. (in.)	Face (in.)	Tread (in.)	Bore (in.)	Hub Length (in.)	Axle (in.)	Bearing Type	Cap. (lbs.)	Part Number
4	2	3/8	1-3/16	2-3/16	1-3/16	-	750	UR9/AL-00-0420-19
4	2	3/8	1-3/16	2-3/16	3/4	Roller	750	UR9/AL-R-0420-12
5	2	3/8	1-3/16	2-3/16	1-3/16	-	1000	UR9/AL-00-0520-19
5	2	3/8	1-3/16	2-3/16	3/4	Roller	1000	UR9/AL-R-0520-12
6	2	3/8	1-3/16	2-3/16	1-3/16	-	1200	UR9/AL-00-0620-19
6	2	3/8	1-3/16	2-3/16	3/4	Roller	1200	UR9/AL-R-0620-12
6	2-1/2	3/8	1-15/16	2-3/4	1-15/16	-	1625	UR9/AL-00-0625-31
6	2-1/2	3/8	1-15/16	2-3/4	1	Roller	1625	UR9/AL-R-0625-16
6	2-1/2	3/8	1-15/16	2-3/4	1-1/4	Roller	1625	UR9/AL-R-0625-20
6	2-1/2	3/8	2.044	2-3/4	3/4	Prec. Ball	1625	UR9/AL-P-0625-12
6	2-1/2	3/8	1.780	2-3/4	3/4	Tapered	1625	UR9/AL-T-0625-12
6	2-1/2	3/8	1.980	2-3/4	1	Tapered	1625	UR9/AL-T-0625-16
8	2	3/8	1-3/16	2-3/16	1-3/16	-	1550	UR9/AL-00-0820-19
8	2	3/8	1-3/16	2-3/16	3/4	Roller	1550	UR9/AL-R-0820-12
8	3	1/2	1-15/16	3-1/4	1-15/16	-	2500	UR9/AL-00-0830-31
8	3	1/2	1-15/16	3-1/4	1	Roller	2500	UR9/AL-R-0830-16
8	3	1/2	1-15/16	3-1/4	1-1/4	Roller	2500	UR9/AL-R-0830-20
8	3	1/2	2.044	3-1/4	3/4	Prec. Ball	2500	UR9/AL-P-0830-12
8	3	1/2	1.780	3-1/4	3/4	Tapered	2500	UR9/AL-T-0830-12
8	3	1/2	1.980	3-1/4	1	Tapered	2500	UR9/AL-T-0830-16
10	2	3/8	1-3/16	2-3/16	1-3/16	-	1800	UR9/AL-00-1020-19
10	2	3/8	1-3/16	2-3/16	3/4	Roller	1800	UR9/AL-R-1020-12
10	2	3/8	1-7/16	2-3/16	1-7/16	-	1800	UR9/AL-00-1020-12
10	2	3/8	1-7/16	2-3/16	1	Roller	1800	UR9/AL-R-1020-16
10	2	3/8	1.575	2-3/16	1/2	Prec. Ball	1800	UR9/AL-P-1020-08
10	2	3/8	1.375	2-3/16	1/2	Tapered	1800	UR9/AL-T-1020-08
10	3	1/2	1-15/16	3-1/4	1-15/16	-	3000	UR9/AL-00-1030-31
10	3	1/2	1-15/16	3-1/4	1	Roller	3000	UR9/AL-R-1030-16
10	3	1/2	1-15/16	3-1/4	1-1/4	Roller	3000	UR9/AL-R-1030-20
10	3	1/2	2.044	3-1/4	3/4	Prec. Ball	3000	UR9/AL-P-1030-12
10	3	1/2	1.780	3-1/4	3/4	Tapered	3000	UR9/AL-T-1030-12
10	3	1/2	1.980	3-1/4	1	Tapered	3000	UR9/AL-T-1030-16
12	3	1/2	1-15/16	3-1/4	1-15/16	-	3500	UR9/AL-00-1230-31
12	3	1/2	1-15/16	3-1/4	1	Roller	3500	UR9/AL-R-1230-16
12	3	1/2	1-15/16	3-1/4	1-1/4	Roller	3500	UR9/AL-R-1230-20
12	3	1/2	2.044	3-1/4	3/4	Prec. Ball	3500	UR9/AL-P-1230-12
12	3	1/2	1.780	3-1/4	3/4	Tapered	3500	UR9/AL-T-1230-12
12	3	1/2	1.980	3-1/4	1	Tapered	3500	UR9/AL-T-1230-12

*R = Roller Bearing, T = Tapered Bearing, P = Precision Bearing, 00 = Plain Bore

PREMIUM URETHANE / ALUMINUM CORE / DONUT TREAD - UR9/AL/DT

Capacity Up to 1100 lbs.



Donut Tread Urethane Wheels are ergonomically designed with rollability in mind. These premium polyurethane wheels are standard with crowned treads, sealed precision ball bearings and top had reducing bushings for optimum rollability. These wheels will perform well in both manual and power-towed material handling applications. They are available in four different tread durometers (hardness) and color coded for easy identification.

Features:

- 6" & 8" polyurethane treads are both mechanically and chemically bonded to die-cast aluminum cores. This dual bonding process presents tread separation, which is the most common reason for polyurethane tread failure.
- 4" & 5" polyurethane treads are chemically bonded only
- Bell bushings (2) are included with each wheel to hold 6203 2RS precision bearings in hub.
- Longer life
- Superior rollability
- Excellent floor protection - Non-marking
- Resistance to most chemicals and oils
- Temperature range -40° to +180°F

Wheel Part Number	Dia. (in.)	Width (in.)	Capacity (lbs)	Bearing Bore (in.)	Hub Length (in.)	Approx. Wt. (lbs)
Polyurethane Gray 70A with Precision Ball Bearings — 1/2" Axle — 2-1/2" Hub Length						
UR9/AL/DT-0420-70A	4	2	300	1/2	2-7/16	3
UR9/AL/DT-0520-70A	5	2	400	1/2	2-7/16	4
UR9/AL/DT-0620-70A	6	2	550	1/2	2-7/16	5
UR9/AL/DT-0820-70A	8	2	700	1/2	2-7/16	6

Polyurethane Red 82A with Precision Ball Bearings — 1/2" Axle — 2-1/2" Hub Length						
UR9/AL/DT-0420-82A	4	2	400	1/2	2-7/16	3
UR9/AL/DT-0520-82A	5	2	525	1/2	2-7/16	4
UR9/AL/DT-0620-82A	6	2	650	1/2	2-7/16	5
UR9/AL/DT-0820-82A	8	2	850	1/2	2-7/16	6

Polyurethane Blue 95A with Precision Ball Bearings — 1/2" Axle — 2-1/2" Hub Length						
UR9/AL/DT-0420-95A	4	2	400	1/2	2-7/16	3
UR9/AL/DT-0520-95A	5	2	600	1/2	2-7/16	4
UR9/AL/DT-0620-95A	6	2	800	1/2	2-7/16	5
UR9/AL/DT-0820-95A	8	2	950	1/2	2-7/16	6

Polyurethane Gray 60D with Precision Ball Bearings — 1/2" Axle — 2-1/2" Hub Length						
UR9/AL/DT-0420-60D	4	2	500	1/2	2-7/16	3
UR9/AL/DT-0520-60D	5	2	750	1/2	2-7/16	4
UR9/AL/DT-0620-60D	6	2	1000	1/2	2-7/16	5
UR9/AL/DT-0820-60D	8	2	1100	1/2	2-7/16	6

Load capacities are for tow loads of 5-8 mph

For manual loads at 1-3 mph, multiply ratings above by 1.20

ALL WHEELS AVAILABLE IN 70A, 80A, 95A, 70D AND 60D DUROMETERS.

COLOR-CODED HARDNESS SYSTEM:

Black: 70A (+/- 5) Durometer

Red: 82A (+/- 5) Durometer

Blue: 95A (+/- 5) Durometer

Gray: 60D (+/- 5) Durometer

PREMIUM URETHANE / SWIVEL-EAZ® - URD/SWE

Capacity Up to 5600 lbs.



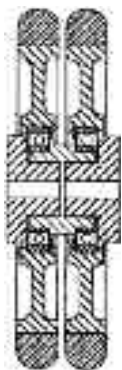
Swivel-EAZ® Wheels with Urethane Tread

A one-of-a-kind split outer tread wheel, the Swivel-EAZ® is the ultimate solution for the many industries searching to satisfy all of the ergonomic requirements and standards within today's environment. The technological design greatly reduces turning and rolling resistance on swivel, rigid and fixed axle systems.

Features

- Independent Swivel Surfaces
- Reduces Rolling Resistance
- Minimizes Initial Start Forces
- Prolongs the Life of the Swivel Caster
- Eliminates the Need for Costly Dual-Wheel Casters
- Carries 2x the Load of Standard Size Wheels with Similar Tread Hardness
- Offered in 4 Different Tread Hardness and Compounds to Fit Your Needs
- Maintenance-Free for Longer Life
- Non-Marking, High-Performance Elastomer Treads

Patented SWE® Design



**URD-SWE-820-CRN Wheels
Kingpinless HD Caster Rig**

Wheel Part Number*	Dia. (in.)	Width (in.)	Capacity 70A (lbs)	Capacity 80A (lbs)	Capacity 95A (lbs)	Capacity 60D (lbs)
Flat Tread with Precision Ball Bearings — 1/2" Axle — 2-1/2" Hub Length						
URD/SWE-320-FT	3	2	N/A	560	720	800
URD/SWE-420-FT	4	2	500	700	900	1000
URD/SWE-520-FT	5	2	200	1050	1400	1550
URD/SWE-620-FT	6	2	900	1400	1900	2200
URD/SWE-820-FT	8	2	1400	2300	3000	3500
Crown Tread with Precision Ball Bearings — 1/2" Axle — 2-1/2" Hub Length						
URD/SWE-320-CRN	3	2	N/A	320	400	520
URD/SWE-420-CRN	4	2	300	400	500	800
URD/SWE-520-CRN	5	2	450	650	800	1050
URD/SWE-620-CRN	6	2	600	900	1100	1300
URD/SWE-820-CRN	8	2	1100	1800	2400	2700
Flat Tread with Precision Ball Bearings — 3/4" Axle — 3" Hub Length						
URD/SWE-625-FT	6	2-1/2	900	1400	1900	2200
URD/SWE-825-FT	8	2-1/2	1400	2300	3000	3500
Crown Tread with Precision Ball Bearings — 3/4" Axle — 3" Hub Length						
URD/SWE-625-CRN	6	2-1/2	600	900	1100	1300
URD/SWE-825-CRN	8	2-1/2	1000	1800	2400	2700
Flat Tread with Precision Ball Bearings — 3/4" Axle — 3-1/2" Hub Length						
URD/SWE-630-FT-3/4	6	3	900	1400	1900	2200
URD/SWE-830-FT-3/4	8	3	1400	2300	3000	3500
URD/SWE-1030-FT-3/4	10*	3	2200	3700	4800	5600
*10-inch wheel available with 3/4, 1 or 1-1/4 inch axle						
Crown Tread with Precision Ball Bearings — 3/4" Axle — 3-1/2" Hub Length						
URD/SWE-630-CRN-3/4	6	3	600	900	1100	1300
URD/SWE-830-CRN-3/4	8	3	1100	1800	2400	2700
URD/SWE-1030-CRN-3/4	10*	3	2200	3700	4800	5600
*10-inch wheel available with 3/4, 1 or 1-1/4 inch axle						
HD Triple Wheel with Precision Ball Bearings — 3/4" Axle — 3-1/2" Hub Length						
HD-SWE-830-FT/FT/FT	8	3	1800	3000	3900	4550
HD-SWE-830-FT/CT/FT	8	3	1750	3000	3850	4500

*When ordering, note durometer after the part number (ex: URD/SWE-320-FT-60D)

Load capacities are for tow loads of 5-8 mph

For manual loads at 1-3 mph, multiply ratings above by 1.20

**POLYURETHANE / THICK TREAD
CAST IRON CORE - PY9/TT/CA**

Capacity Up to 7700 lbs.



Composed of a polyurethane elastomer, open cast or injection molded, on clean, close tolerance cores. Polyurethane tread is chemically bonded to a cast iron core. High capacity polyurethane protects floors, is non-marking and delivers quieter operation than standard metal wheels.

Features

- **Hardness:** 95 Shore A
- **Wheel Face:** Available in flat or crown tread
- **Finish:** Green tread on black core
- **Temperature Range:** -40°F up to +180°F

Wheel Options

- 80 Shore A durometer option available (15% capacity reduction). Provides more debris resistance. Butterscotch tread on black core.
- 70 Shore D durometer option available (20% capacity increase). Black tread on black core.
- Note: Select bearings featured are recommended for standard applications. For special applications or alternate bearings consult Acorn™.
- For customization & special application options, please consult Acorn™.

* R=Roller bearing, P=Precision Ball Bearing.
T=Tapered Roller Bear

Dia. (in.)	Width (in.)	Capacity (lbs.)	Hub Length (in.)	Bore (in.)	Bearing (in.)	Wt. (lbs.)	Part Number
6	3	2040	3-1/4	1-15/16	1	13-3/4	PY9/TT/CA-R-0630-16
6	3	2040	3-1/4	1-15/16	1-1/4	13-3/4	PY9/TT/CA-R-0630-12
6	3	2040	3-1/2	1-15/16	3/4	13-1/4	PY9/TT/CA-T-0630-12
6	3	2040	3-1/2	1.98	1	13-1/4	PY9/TT/CA-T-0630-16
8	2-1/2	2010	3-1/4	1-15/16	1	13	PY9/TT/CA-R-0825-16
8	2-1/2	2010	3-1/4	1-15/16	1-1/4	13	PY9/TT/CA-R-0825-10
8	2-1/2	2010	3-1/2	1-15/16	3/4	12-3/4	PY9/TT/CA-T-0825-12
8	3	2520	3-1/4	1-15/16	1	16	PY9/TT/CA-R-0830-16
8	3	2520	3-1/4	1-15/16	1-1/4	16	PY9/TT/CA-R-0830-20
8	3	2520	3-1/2	1-15/16	3/4	15-3/4	PY9/TT/CA-T-0830-12
8	3	2520	3-1/2	1.98	1	15-3/4	PY9/TT/CA-T-0830-16
8	4	3500	4-1/4	2-7/16	1-1/4	23-3/4	PY9/TT/CA-R-0840-20
8	4	3500	4-1/4	2-7/16	1-1/2	23-3/4	PY9/TT/CA-R-0840-24
8	4	3500	4-1/2	2-7/16	1	22-1/2	PY9/TT/CA-T-0840-16
8	4	3500	4-1/2	2-7/16	1-1/4	22-1/2	PY9/TT/CA-T-0840-20
10	2-1/2	2370	3-1/4	1-15/16	1	17-1/4	PY9/TT/CA-R-1025-16
10	2-1/2	2370	3-1/4	1-15/16	1-1/4	17-1/4	PY9/TT/CA-R-1025-20
10	3	3000	3-1/4	1-15/16	1	20-1/2	PY9/TT/CA-R-1030-116
10	3	3000	3-1/4	1-15/16	1-1/4	20-1/2	PY9/TT/CA-R-1030-20
10	3	3000	3-1/2	1-15/16	3/4	20	PY9/TT/CA-T-1030-12
10	3	3000	3-1/2	1.98	1	20	PY9/TT/CA-T-1030-16
10	3	3000	3-1/2	2.33	1-1/4	20	PY9/TT/CA-T-1030-20
10	4	4200	4-1/4	2-7/16	1-1/4	30-1/4	PY9/TT/CA-R-1040-20
10	4	4200	4-1/4	2-7/16	1-1/2	30-1/4	PY9/TT/CA-R-1040-24
10	4	4200	4-1/2	2-7/16	1	29	PY9/TT/CA-T-1040-16
10	4	4200	4-1/2	2-7/16	1-1/4	29	PY9/TT/CA-T-1040-20
10	5	5000	5-1/4	2-7/16	1-1/4	41-1/4	PY9/TT/CA-R-1050-20
10	5	5000	5-1/4	2-7/16	1-1/2	41-1/4	PY9/TT/CA-R-1050-24
10	5	5000	5-1/2	2-7/16	1	39-1/4	PY9/TT/CA-T-1050-16
10	5	5000	5-1/2	2-7/16	1-1/4	39-1/4	PY9/TT/CA-T-1050-20
12	3	3420	3-1/4	1-15/16	1	28-1/4	PY9/TT/CA-R-1230-16
12	3	3420	3-1/4	1-15/16	1-1/4	28-1/4	PY9/TT/CA-R-1230-12
12	3	3420	3-1/2	1-15/16	3/4	28	PY9/TT/CA-T-1230-12
12	3	3420	3-1/2	1.98	1	28	PY9/TT/CA-T-1230-16
12	3	3420	3-1/2	2.33	1-1/4	28	PY9/TT/CA-T-1230-20
12	4	4800	4-1/2	2-7/16	1-1/4	36-3/4	PY9/TT/CA-R-1240-20
12	4	4800	4-1/4	2-7/16	1-1/2	36-3/4	PY9/TT/CA-R-1240-24
12	4	4800	4-1/2	2-7/16	1	35-1/2	PY9/TT/CA-T-1240-16
12	4	4800	4-1/2	2-7/16	1-1/4	35-1/2	PY9/TT/CA-T-1240-20
12	5	6000	5-1/4	2-7/16	1-1/4	48	PY9/TT/CA-R-1250-20
12	5	6000	5-1/4	2-7/16	1-1/2	48	PY9/TT/CA-R-1250-24
12	5	6000	5-1/2	2-7/16	1	47	PY9/TT/CA-T-1250-16
12	5	6000	5-1/2	2-7/16	1-1/4	47	PY9/TT/CA-T-1250-20
12	6	7500	6-1/2	2.33	1-1/4	25-3/4	PY9/TT/CA-T-1260-20
16	3	4260	4-1/4	2-7/16	1-1/4	51	PY9/TT/CA-R-1630-20
16	3	4260	4-1/4	2-7/16	1-1/2	51	PY9/TT/CA-R-1630-24
16	3	4260	4-1/2	2-7/16	1	49-3/4	PY9/TT/CA-T-1630-16
16	3	4260	4-1/2	2-7/16	1-1/4	49-3/4	PY9/TT/CA-T-1630-20
16	4	5970	5-1/4	2-7/16	1-1/4	65	PY9/TT/CA-R-1640-20
16	4	5970	5-1/4	2-7/16	1-1/2	65	PY9/TT/CA-R-1640-24
16	4	5970	5-1/2	2-7/16	1-1/4	63	PY9/TT/CA-T-1640-20
16	5	7700	5-1/4	2-7/16	1-1/4	85	PY9/TT/CA-R-1650-20
16	5	7700	5-1/4	2-7/16	1-1/2	85	PY9/TT/CA-R-1650-24
16	5	7700	5-1/2	2-7/16	1-1/4	85	PY9/TT/CA-T-1650-20

POLYURETHANE / CAST IRON PY9/CA & PH9/CA

Capacity Up to 8400 lbs.



Composed of a polyurethane elastomer, open cast or injection molded, on clean, close tolerance cores. Polyurethane tread is chemically bonded to a cast iron core. High capacity polyurethane protects floors, is non-marking and delivers quieter operation than standard metal wheels.

Features

- **Hardness:** 95 Shore A
- **Wheel Face:** Available in flat or crown tread
- **Finish:** Green tread on black core
- **Temperature Range:** -40°F up to +180 °F

Wheel Options

- 80 Shore A durometer option available (15% capacity reduction) Butterscotch tread / black core.
- 70 Shore D durometer option available (20% capacity increase) Black tread / black core.
- **Note:** Select bearings featured are recommended for standard applications. For special applications or alternate bearings consult Acorn™.
- For customization & special application options, please consult Acorn™

Dia. (in.)	Width (in.)	Capacity (lbs.)	Hub Length	Bore (in.)	Bearing (in.)	Wt. (lbs.)	Part Number
3-1/4	1-5/8	420	1-5/8	1-3/16	1/2	1	PY9/CA-R-3216/16-08
3-1/4	1-5/8	420	1-5/8	1-3/16	5/8	1	PY9/CA-R-3216/26-10
3-1/4	1-5/8	420	1-5/8	1-3/16	3/4	1	PY9/CA-R-3216/16-12
3-1/4	2-3/16	540	2-3/16	1-3/16	1/2	1-1/4	PY9/CA-R-3223/23-08
3-1/4	2-3/16	540	2-3/16	1-3/16	5/8	1-1/4	PY9/CA-R-3223/23-10
3-1/4	2-3/16	540	2-3/16	1-3/16	3/4	1-1/4	PY9/CA-R-3223/23-12
3-1/4	3-1/4	850	3-1/4	1-15/16	1	3	PY9/CA-R-3223/32-16
3-1/4	3-1/4	850	3-1/4	1-15/16	1-1/4	3	PY9/CA-R-3232/32-20
3-1/4	4-1/4	1100	4-1/4	1-15/16	1	3-3/4	PY9/CA-R-3242/42-16
3-1/4	4-1/4	1100	4-1/4	1-15/16	1-1/4	3-3/4	PY9/CA-R-3242/42-20
3-1/4	4-1/4	1100	4-1/2	1-15/16	3/4	3-3/4	PY9/CA-T-3242/45-12
5	2-1/2	1290	2-3/4	1-15/16	1	8	PY9/CA-R-0525/27-16
5	2-1/2	1290	3-1/4	1-15/16	1	8-1/2	PY9/CA-R-0525/32-16
5	2-1/2	1290	3-1/4	1-15/16	1-1/4	8-1/2	PY9/CA-R-0525/32-20
5	3	1530	3-1/4	1-15/16	1	9	PY9/CA-R-0530/32-16
5	3	1530	3-1/4	1-15/16	1-1/4	9	PY9/CA-R-0530/32-20
5	3	1530	3-1/2	1-15/16	3/4	8-1/2	PY9/CA-T-0530/35-12
6	1-1/2	840	1-5/8	1-3/16	1/2	4	PY9/CA-R-0615/16-08
6	1-1/2	840	1-5/8	1-3/16	5/8	4	PY9/CA-R-0615/16-10
6	1-1/2	840	1-5/8	1-3/16	3/4	4	PY9/CA-R-0615/16-12
6	2	1230	2-3/16	1-7/16	7/8	6	PY9/CA-R-0620/23-14
6	2	1230	2-3/16	1-7/16	1	6	PY9/CA-R-0620/23-16
6	2-1/2	1620	2-3/4	1-3/16	3/4	6-3/4	PY9/CA-R-0625/27-12
6	2-1/2	1620	2-3/4	1-15/16	1	11	PY9/CA-R-0625/27-16
6	2-1/2	1620	3-1/4	1-15/16	1	10-1/2	PY9/CA-R-0625/32-16
6	2-1/2	1620	3-1/4	1-15/16	1-1/4	10-1/2	PY9/CA-R-0625/32-20
6	2-1/2	1620	3-1/2	1-15/16	3/4	10-1/2	PY9/CA-T-0625/35-20
6	3	2040	3-1/4	1-15/16	1	13-3/4	PY9/CA-R-0630/32-16
6	3	2040	3-1/4	1-15/16	1-1/4	13-3/4	PY9/CA-R-0630/32-20
6	3	2040	3-1/2	1-15/16	3/4	13-1/4	PY9/CA-R-0630/35-12
6	3	2040	3-1/2	1.98	1	13-1/4	PY9/CA-T-0630/35-16
8	2-1/2	2010	3-1/4	1-15/16	1	13	PY9/CA-R-0825/32-16
8	2-1/2	2010	3-1/4	1-15/16	1-1/4	13	PY9/CA-R-0825/32-20
8	2-1/2	1800	2-3/4	1-15/16	1	13	PY9/CA-R-0825/32-16
8	2-1/2	1600	2-3/4	1-3/16	3/4	9-3/4	PY9/CA-R-0825/27-12
8	2-1/2	2010	3-1/2	1-15/16	3/4	12-3/4	PY9/CA-T-0825/35-12
8	3	2520	3-1/4	1-15/16	1	16	PY9/CA-R-0830/32-16
8	3	2520	3-1/4	1-15/16	1-1/4	16	PY9/CA-R-0830/32-20
8	3	2520	3-1/2	1-15/16	3/4	15-3/4	PY9/CA-T-0830/35-12
8	3	2520	3-1/2	1.98	1	15-3/4	PY9/CA-T-0830/35-16
8	3	2520	3-1/2	2.33	1-1/4	15-3/4	PY9/CA-T-0830/35-20
8	3	2520	3-1/4	2-7/16	1-1/4	15-1/2	PH9/CA-R-0830/32-20
8	3	2520	3-1/4	2-7/16	1-1/2	15-1/2	PH9/CA-R-0830/32-24
8	4	3500	4-1/4	2-7/16	1-1/4	23-3/4	PY9/CA-R-0840/42-20
8	4	3500	4-1/4	2-7/16	1-1/2	23-3/4	PY9/CA-R-0840/42-24
8	4	3500	4-1/2	2-7/16	1	22-1/2	PY9/CA-T-0840/45-16
8	4	3500	4-1/2	2-7/16	1-1/4	22-1/2	PY9/CA-T-0840/45-20
10	2-1/2	2370	3-1/4	1-15/16	1	17-1/4	PY9/CA-R-1025/32-16
10	2-1/2	2370	3-1/4	1-15/16	1-1/4	17-1/4	PY9/CA-R-1025/32-20
10	2-1/2	2370	2-3/4	1-15/16	1	17-1/2	PY9/CA-R-1025/27-16
10	3	3000	3-1/4	1-15/16	1	20-1/2	PY9/CA-R-1030/32-16
10	3	3000	3-1/4	1-15/16	1-1/4	20-1/2	PY9/CA-R-1030/32-20
10	3	3000	3-1/2	1-15/16	3/4	20	PY9/CA-T-1030/35-12
10	3	3000	3-1/2	1.98	1	20	PY9/CA-T-1030/35-16
10	3	3000	3-1/2	2.33	1-1/4	20	PH9/CA-T-1030/35-20
10	3	3000	3-1/4	2-7/16	1-1/4	19-3/4	PH9/CA-R-1030/32-20
10	3	3000	3-1/4	2-7/16	1-1/2	19-3/4	PY9/CA-R-1030/32-24

(Continued on Next Page)

POLYURETHANE / CAST IRON PY9/CA & PH9/CA

Capacity Up to 8400 lbs.



Composed of a polyurethane elastomer, open cast or injection molded, on clean, close tolerance cores. Polyurethane tread is chemically bonded to a cast iron core. High capacity polyurethane protects floors, is non-marking and delivers quieter operation than standard metal wheels.

Features

- **Hardness:** 95 Shore A
- **Wheel Face:** Available in flat or crown tread
- **Finish:** Green tread on black core
- **Temperature Range:** -40°F up to +180 °F

Wheel Options

- 80 Shore A durometer option available (15% capacity reduction) Butterscotch tread / black core.
- 70 Shore D durometer option available (20% capacity increase) Black tread / black core.
- Note: Select bearings featured are recommended for standard applications. For special applications or alternate bearings consult Acorn™.
- For customization & special application options, please consult Acorn™

Dia. (in.)	Width (in.)	Capacity (lbs.)	Hub Length (in.)	Bore (in.)	Bearing (in.)	Wt. (lbs.)	Part Number*
10	4	4200	4-1/4	2-7/16	1-1/4	30-1/4	PY9/CA-R-1040/42-20
10	4	4200	4-1/4	2-7/16	1-1/2	30-1/4	PY9/CA-R-1040/42-24
10	4	4200	4-1/2	2-7/16	1	29	PY9/CA-T-1040/45-16
10	4	4200	4-1/2	2-7/16	1-1/4	29	PY9/CA-R-1040/45-20
10	5	5000	5-1/4	2-7/16	1-1/4	41-1/4	PY9/CA-R-1050/52-20
10	5	5000	5-1/4	2-7/16	1-1/2	41-1/4	PY9/CA-R-1050/52-24
10	5	5000	5-1/2	2-7/16	1	39-1/4	PY9/CA-T-1050/55-16
10	5	5000	5-1/2	2-7/16	1-1/4	39-1/4	PY9/CA-T-1050/55-20
12	2-1/2	2700	3-1/4	1-15/16	1	22-3/4	PY9/CA-R-1225/32-16
12	2-1/2	2700	3-1/4	1-15/16	1-1/4	22-3/4	PY9/CA-R-1225/32-20
12	2-1/2	2700	2-3/4	1-15/16	1	22	PY9/CA-R-1225/27-16
12	3	3420	3-1/4	1-15/16	1	28-1/4	PY9/CA-R-1230/32-16
12	3	3420	3-1/4	1-15/16	1-1/4	28-1/4	PY9/CA-R-1230/32-20
12	3	3420	3-1/2	1-15/16	3/4	28	PY9/CA-T-1230/35-12
12	3	3420	3-1/2	1.98	1	28	PY9/CA-T-1230/35-16
12	3	3420	3-1/2	2.33	1-1/4	28	PY9/CA-T-1230/35-20
12	3	3420	3-1/4	2-7/16	1-1/4	27-1/2	PH9/CA-R-1230/32-20
12	3	3420	3-1/4	2-7/16	1-1/2	27-1/2	PH9/CA-R-1230/32-24
12	3-1/2	4110	4-1/4	2-7/16	1-1/4	31-1/2	PY9/CA-T-1235/42-20
12	3-1/2	4110	4-1/4	2-7/16	1-1/2	31-1/2	PY9/CA-R-1235/42-24
12	3-1/2	4110	4-1/2	2-7/16	1	30-1/2	PY9/CA-T-1235/45-16
12	3-1/2	4110	4-1/2	2-7/16	1-1/4	30-1/2	PY9/CA-T-1235/45-20
12	4	4800	4-1/4	2-7/16	1-1/4	36-3/4	PY9/CA-R-1240/42-20
12	4	4800	4-1/4	2-7/16	1-1/2	36-3/4	PY9/CA-R-1240/42-24
12	4	4800	4-1/2	2-7/16	1	35-1/2	PY9/CA-T-1240/45-16
12	4	4800	4-1/2	2-7/16	1-1/4	35-1/2	PY9/CA-T-1240/45-20
12	5	6000	5-1/4	2-7/16	1-1/4	48	PY9/CA-R-1250/52-20
12	5	6000	5-1/4	2-7/16	1-1/2	48	PY9/CA-R-1250/52-24
12	5	6000	5-1/2	2-7/16	1	47	PY9/CA-T-1250/55-16
12	5	6000	5-1/2	2-7/16	1-1/4	47	PY9/CA-T-1250/55-20
14	4	5000	4-1/4	2-7/16	1-1/4	48-1/2	PY9/CA-R-1440/42-20
14	4	5000	4-1/4	2-7/16	1-1/2	48-1/2	PY9/CA-R-1440/42-24
14	4	5000	4-1/2	2-7/16	1	47-1/2	PY9/CA-T-1440/45-16
14	4	5000	4-1/2	2-7/16	1-1/4	47-1/2	PY9/CA-T-1440/45-20
16	3	4260	4-1/4	2-7/16	1-1/4	51	PY9/CA-R-1630/42-20
16	3	4260	4-1/4	2-7/16	1-1/2	51	PY9/CA-R-1630/42-24
16	3	4260	4-1/2	2-7/16	1	49-3/4	PY9/CA-T-1630/45-16
16	3	4260	4-1/2	2-7/16	1-1/4	49-3/4	PY9/CA-T-1630/45-20
16	4	5970	5-1/4	2-7/16	1-1/4	65	PY9/CA-R-1640/52-20
16	4	5970	5-1/4	2-7/16	1-1/2	65	PY9/CA-R-1640/52-24
16	4	5970	5-1/4	3-1/16	1-3/4	65	PY9/CA-R-1640/52-28
16	4	5970	5-1/2	2-7/16	1-1/4	63	PY9/CA-T-1640/55-20
16	5	7700	5-1/4	2-7/16	1-1/4	85	PY9/CA-R-1650/52-20
16	5	7700	5-1/4	2-7/16	1-1/2	85	PY9/CA-R-1650/52-24
16	5	7700	5-1/4	3-1/16	1-3/4	85	PY9/CA-R-1650/52-28
16	5	7700	5-1/4	3-1/4	2	85	PY9/CA-R-1650/52-32
16	5	7700	5-1/2	2-7/16	1-1/4	85	PY9/CA-T-1650/55-20
18	3	4600	4-1/4	2-7/16	1-1/4	59	PY9/CA-R-1830/42-20
18	3	4600	4-1/4	2-7/16	1-1/2	59	PY9/CA-R-1830/42-24
18	3	4600	4-1/2	2-7/16	1-1/4	57-3/4	PY9/CA-T-1830/45-20
18	4	6500	5-1/4	2-7/16	1-1/4	83	PY9/CA-R-1840/52-20
18	4	6500	5-1/4	2-7/16	1-1/2	83	PY9/CA-R-1840/52-24
18	4	6500	5-1/2	2-7/16	1-1/4	81-3/4	PY9/CA-T-1840/55-20
18	5	8400	5-1/4	2-7/16	1-1/2	89	PY9/CA-R-1850/52-24
18	5	8400	5-1/4	3-1/16	1-3/4	89	PY9/CA-R-1850/52-28
18	5	8400	5-1/4	3-1/4	2	89	PY9/CA-R-1850/52-32
18	5	8400	5-1/2	2-9/16	1-1/2	87-3/4	PY9/CA-T-1850/55-24

ECONOMY POLYURETHANE / CAST IRON CORE - PY9/CA

Capacity Up to 3500 lbs.



Composed of a polyurethane elastomer, open cast or injection molded, on clean, close tolerance cores. Polyurethane tread is chemically bonded to a cast iron core. High capacity polyurethane protects floors, is non-marking and delivers quieter operation than standard metal wheels.

Features

- **Hardness:** 95 Shore A
- **Wheel Face:** Available in flat tread
- **Finish:** Green tread on silver painted core
- **Temperature Range:** -40°F up to +180°F

Wheel Options

- Now available in 2-1/2" and 3" tread width models, consult Acorn™.
- **Note:** Select bearings featured are recommended for standard applications. For special applications or alternate bearings consult factory.
- For customization & special application options, please consult Acorn™

Dia. (in.)	Width (in.)	Capacity (lbs.)	Hub Length (in.)	Bore (in.)	Bearing (in.)	Bearing Type	Part Number*
4	2	700	2-7/16	1-3/16	1/2	Ped. Prec. Ball	PY9/CA-P-0420-08
4	2	700	2-3/16	1-3/16	5/8	Roller	PY9/CA-R-0420-10
4	2	700	2-3/16	1-3/16	3/4	Roller	PY9/CA-R-0420-12
4	2	700	2-3/16	1-3/16	1-3/16	Plain	PY9/CA-PL-0420-19
5	2	1000	2-7/16	1-3/16	1/2	Ped. Prec. Ball	PY9/CA-P-0520-08
5	2	1000	2-3/16	1-3/16	3/4	Roller	PY9/CA-R-0520-12
5	2	1000	2-3/16	1-3/16	1-3/16	Plain	PY9/CA-PL-0520-19
6	2	1200	2-7/16	1-3/16	1/2	Ped. Prec. Ball	PY9/CA-P-0620-08
6	2	1200	2-3/16	1-3/16	5/8	Roller	PY9/CA-R-0620-10
6	2	1200	2-3/16	1-3/16	3/4	Roller	PY9/CA-R-0620-12
6	2	1200	2-3/16	1-3/16	3/4	Delrin	PY9/CA-D-0620-12
6	2	1200	2-3/16	1-3/16	1-3/16	Plain	PY9/CA-PL-0620-19
6	2-1/2	1600	3-1/4	1-15/16	1-15/16	Plain	PY9/CA-PL-0625-31
6	3	2000	3-1/4	1-15/16	1-15/16	Plain	PY9/CA-PL-0630-31
8	2	1400	2-7/16	1-3/16	1/2	Ped. Prec. Ball	PY9/CA-P-0820-08
8	2	1400	2-3/16	1-3/16	3/4	Roller	PY9/CA-R-0820-12
8	2	1400	2-3/16	1-3/16	1-3/16	Plain	PY9/CA-PL-0820-19
8	2-1/2	2000	3-1/4	1-15/16	1-15/16	Plain	PY9/CA-PL-0825-31
8	2-1/2	2000	3-1/4	1-15/16	1	Roller	PY9/CA-R-0825-16
8	3	2500	3-1/4	1-15/16	1	Roller	PY9/CA-R-0830-16
8	3	2500	3-1/4	1-15/16	1-15/16	Plain	PY9/CA-PL-0830-31
10	2-1/2	2200	3-1/4	1-15/16	1	Roller	PY9/CA-R-1025-16
10	2-1/2	2200	3-1/4	1-15/16	1-15/16	Plain	PY9/CA-PL-1025-31
10	3	3000	3-1/4	1-15/16	1	Roller	PY9/CA-R-1030-16
10	3	3000	3-1/4	1-15/16	1-15/16	Plain	PY9/CA-PL-1030-31
12	2-1/2	2500	3-1/4	1-15/16	1-15/16	Plain	PY9/CA-PL-1225-31
12	3	3500	3-1/4	1-15/16	1	Roller	PY9/CA-R-1225-16
12	3	3500	3-1/4	1-15/16	1-15/16	Plain	PY9/CA-PL-1225-31

*PL = Plain Bearing; R = Roller Bearing; P = Pedestal Bearing

POLYURETHANE / ALUMINUM CORE - PY9/AL & PY6/AL

Capacity Up to 7500 lbs.



Composed of a polyurethane elastomer, open cast or injection molded, on clean, close tolerance cores. Polyurethane tread is chemically bonded to aluminum core. High capacity polyurethane protects floors, is non-marking and delivers quieter operation than standard metal wheels. PY9/AL wheels feature cast aluminum core. PY6/AL wheels feature die cast aluminum cores.

Features

- **Hardness:** 95 Shore A (Cast Aluminum Core) and 60 Shore D (Die Cast Aluminum Core)
- **Finish:** Green tread on aluminum core
- **Temperature Range:** -40° to +180°F

Wheel Options

- **Note:** Select bearings featured are recommended for standard applications. For special applications or alternate bearings consult Acorn™.
- For customization & special application options, please consult Acorn™

Dia. (in.)	Width (in.)	Capacity (lbs.)	Hub Length (in.)	Bore (in.)	Bearing (in.)	Wt. (lbs.)	Part Number*
4	1-1/2	600	1-5/8	1-3/16	1/2	1	PY9/AL-P-0415-08
4	1-1/2	600	1-5/8	1-3/16	5/8	1	PY9/AL-P-0415-10
4	1-1/2	600	1-5/8	1-3/16	3/4	1	PY9/AL-P-0415-12
4	2	700	2-3/16	1-3/16	1/2	1-1/2	PY9/AL-P-0420-08
4	2	700	2-3/16	1-3/16	5/8	1-1/2	PY9/AL-P-0420-10
4	2	700	2-3/16	1-3/16	3/4	1-1/2	PY9/AL-P-0420-12
5	1-1/2	720	1-5/8	1-3/16	1/2	1-1/2	PY9/AL-P-0515-08
5	1-1/2	720	1-5/8	1-3/16	5/8	1-1/2	PY9/AL-P-0515-10
5	1-1/2	720	1-5/8	1-3/16	3/4	1-1/2	PY9/AL-P-0515-12
5	2	1050	2-3/16	1-3/16	1/2	1-3/4	PY9/AL-P-0520-08
5	2	1050	2-3/16	1-3/16	5/8	1-3/4	PY9/AL-P-0520-10
5	2	1050	2-3/16	1-3/16	3/4	1-3/4	PY6/AL-P-0520-12
6	2	1230	2-3/16	1-3/16	1/2	2-1/4	PY9/AL-P-0620-08
6	2	1230	2-3/16	1-3/16	5/8	2-1/4	PY9/AL-P-0620-10
6	2	1230	2-3/16	1-3/16	3/4	2-1/4	PY9/AL-P-0620-12
8	2	1500	2-3/16	1-3/16	1/2	3-1/4	PY9/AL-P-0820-08
8	2	1500	2-3/16	1-3/16	5/8	3-1/4	PY9/AL-P-0820-10
8	2	1500	2-3/16	1-3/16	3/4	3-1/4	PY9/AL-P-0820-12
8	2-1/2	2010	3-1/4	1-15/16	1	4	PY9/AL-P-0825-16
8	2-1/2	2010	3-1/4	2-7/16	3/4	4	PY9/AL-P-0825-12
8	3	2520	3-1/4	1-15/16	1	4-1/4	PY9/AL-P-0830-16
8	3	2520	3-1/4	1-15/16	1-1/4	4-1/4	PY9/AL-P-0830-20
8	3	2520	3-1/4	1-15/16	3/4	4-1/4	PY9/AL-P-0830-12
10	2-1/2	2370	3-1/4	1-15/16	1	4-3/4	PY9/AL-P-1025-16
10	2-1/2	2370	3-1/4	2-7/16	3/4	4-3/4	PY9/AL-P-1025-12
10	3	3000	3-1/4	1-15/16	1	5	PY9/AL-P-1030-16
10	3	3000	3-1/4	1-15/16	1	5	PY9/AL-P-1030-16
10	3	3000	3-1/4	1-15/16	1-1/4	5	PY9/AL-P-1030-20
10	3	3000	3-1/4	1-15/16	3/4	5	PY9/AL-P-1030-12
12	6	7500	6-1/2	2.33	1-1/4	25-3/4	PY6/AL-P-1260-20

* R = Roller Bearing; T = Tapered Bearing; P = Precision Bearing

CUSTOM STRAIGHT-SIDED ALUMINUM CORES WITH PRECISION BEARINGS ARE AVAILABLE FOR ANY DUROMETER POLYURETHANE.

POLYURETHANE / ALUMINUM CORE / DONUT TREAD - PY9/AL/DT

Capacity Up to 1500 lbs.



Features

- **Hardness:** 90 Shore A (green) or 80 Shore A (butterscotch)
- Wheels furnished complete with top hats spacers and sealed precision bearings.
- **Wheel face:** Donut tread
- **Finish:** Green tread (90 Shore A) on aluminum core
- **Temperature Range:** -40°F to +180°F

Dia. (in.)	Width (in.)	Capacity (lbs.)	Hub Length (in.)	Bore (in.)	Bearing (in.)	Wt. (lbs.)	Part Number*
5	2	1000	2-7/16	1-9/16	1/2	2	PY9/AL/DT/9-P-0520-08
6	2	1250	2-7/16	1-9/16	1/2	3	PY9/AL/DT/9-P-0620-08
8	2	1500	2-7/16	1-9/16	1/2	4	PY9/AL/DT/9-P-0820-08
5	2	1000	2-7/16	1-9/16	1/2	2	PY9/AL/DT/8-P-0520-08
6	2	1250	2-7/16	1-9/16	1/2	3	PY9/AL/DT/8-P-0620-08
8	2	1500	2-7/16	1-9/16	1/2	4	PY9/AL/DT/8-P-0820-08

* R = Roller Bearing; T = Tapered Bearing; P = Precision Bearing

Composed of a polyurethane elastomer, open cast or injection molded, on clean, close tolerance cores. Wheels feature a chemical and mechanical lock of tread to the core. High capacity polyurethane protects floors, is non-marking and delivers quieter operation than standard metal wheels.

Wheel Options

- Standard 90A Shore A **PM/DT/9-P-0620-08**
- Available in **80 Shore A** Change **PM/DT/9-P-0620-08** to **PM/DT/8-P-0620-08**.
- Available in **70 Shore D** Change **PM/DT/9-P-0620-08** to **PM/DT/7-P-0620-08**.



POLYURETHANE / V-GROOVE - PY6/VG

Capacity Up to 1500 lbs.



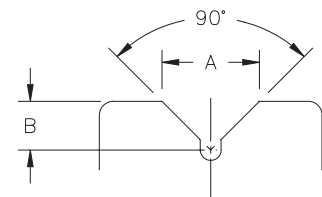
Dia. (in.)	Width (in.)	Capacity (lbs.)	Hub Length (in.)	Bore (in.)	Bearing (in.)	Wt. (lbs.)	Part Number*
5	2	1000	2-7/16	1-9/16	1/2	2	PY6/VG/6-P-0520-08
6	2	1250	2-7/16	1-9/16	1/2	3	PY6/VG/6-P-0620-08
8	2	1500	2-7/16	1-9/16	1/2	4	PY6/VG/6-P-0820-08
5	2	1000	2-7/16	1-9/16	1/2	2	PY6/VG/6-P-0520-08
6	2	1250	2-7/16	1-9/16	1/2	3	PY6/VG/6-P-0620-08
8	2	1500	2-7/16	1-9/16	1/2	4	PY6/VG/6-P-0820-08

* R = Roller Bearing; T = Tapered Bearing; P = Precision Bearing

Wheel face and “V”-groove are machined from heavy duty polyurethane. A relief groove at the base of the “V” tends to equalize the load to each face of the angle track when in operation. Wheel face and bore are machined for concentricity to proper tracking. These wheels can be used not only on track but flat surfaces as well.

Features

- **Hardness:** 60 Shore D
- **Option:** Hardness 80 Shore A
- **Wheel Face:** V-groove
- **Finish:** Green



POLYURETHANE / POLYPROPYLENE CORE - PY/PB

Capacity Up to 1500 lbs.



1-1/4 in.
wide wheel



2 and 2-1/2 in.
wide wheels

Dia. (in.)	Width (in.)	Capacity (lbs.)	Hub Length (in.)	Bore (in.)	Bearing (in.)	Wt. (lbs.)	Part Number*
3	1-1/4	300	1-5/8		3/8	3/8	PY/PB-P-0312-06
3-1/2	1-1/4	360	1-5/8		3/8	3/8	PY/PB-P-3512-06
4	1-1/4	400	1-5/8		3/8	1/2	PY/PB-P-0412-06
4	2	600	2-1/2	1-3/16	3/4	1/2	PY/PB-P-0420-12
5	1-1/4	440	1-5/8		3/8	3/4	PY/PB-P-0512-06
5	2	750	2-1/2	1-3/16	3/4	1-3/4	PY/PB-P-0520-08
6	2	900	2-1/2	1-3/16	3/4	2-1/2	PY/PB-P-0620-08
8	2	1000	2-1/2	1-3/16	3/4	2-3/4	PY/PB-P-0820-08
10	2-1/2	1500	3-1/4	1-15/16	1	3	PY/PB-R-1025-16
10	2-1/2	1500	3-1/2		1	3	PY/PB-P-1025-16

* R = Roller Bearing; T = Tapered Bearing; P = Precision Bearing

Features

- **Hardness:** 90 Shore A
- **Wheel Face:** Moderate crown
- **Finish:** Gray tread on gray core
- **Temperature Range:** -40°F to +180°F

Excellent properties where washdown of material handling equipment is required. Tread is mechanically locked to an injection molded polymer core to prevent separation. Polyurethane wheels offer greater load capacity than rubber. They offer excellent floor protection. These wheels resist chemicals, acids, caustics and oils. Color is gray on gray core.

POLYURETHANE SHOPPING CART WHEEL - PY/SC

Capacity Up to 350 lbs.



Designed specifically for the shopping cart industry. Tread is mechanically locked to an injection molded polymer core to prevent separation. Polyurethane wheels offer greater load capacity than rubber. They offer excellent floor protection. These wheels resist chemicals, acids, caustics and oils.

Features

- **Tread Hardness:** 60 Shore D
- **Wheel Face:** Moderate crown
- **Finish:** Blue Tread with Blue Thread Guard
- **Temperature Range:** -40°F to +180°F

Wheel Options

- **Custom colors**
- Special durometers
- For customization & special application options, please consult Acorn™.

Dia. (in.)	Width (in.)	Capacity (lbs.)	Hub Length (in.)	Bore (in.)	Bearing (in.)	Approx. Wt. (lbs)	Part Number
5	1-1/4	350	1-1/2	1.26	5/16	3/4	PY/SC-PL-0512-05
5	1-1/4	350	1-1/2	1.26	3/8	3/4	PY/SC-PL-0512-06



Anti static replacement wheel specify XB-PL-0512-05-AS

Wheel utilizes a synthetic resin impregnated with electrically conductive material in the wheel. With each revolution, the conductor makes contact with the floor reducing static build-up.

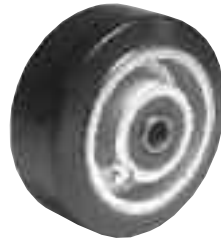


Self-Decelerating replacement wheel specify XB-PL-0512-05-SD

Our self-deceleration wheel covers are made of polymer, that encompass and compress our bearing protecting polyurethane shock absorber. This provides you with adjustable self-deceleration.

RUBBER WHEELS	PAGE #
Moldon Rubber / Cast Iron.....	77-84
Moldon Rubber / Aluminum.....	84-85
Extra Soft Rubber	86-87
Advanced Rubber	88-89
Pneumatic	90-92

Visit our Web site for new products
www.acornindprod.com



**MOLDON RUBBER /
CAST IRON CORE
(MR/CA)**



**HEAVY DUTY MOLDON RUBBER /
CAST IRON CORE
(MR/HD/CA)**



**HIGH MODULOUS RUBBER /
ALUMINUM CORE
(HMR/AL)**



**MOLDON RUBBER /
ALUMINUM CORE
(MR/AL)**



**EXTRA SOFT RUBBER /
POLYPROPYLENE CORE /
CROWN TREAD
(XSR/PB/CT)**



**EXTRA SOFT RUBBER /
POLYPROPYLENE CORE /
DONUT TREAD
(XSR/PB/DT)**



**ADVANCED RUBBER /
POLYPROPYLENE CORE /
ROUND TREAD
(AN/PB/RT)**



**PNEUMATIC
(SF)**



**PNEUMATIC /
HAND TRUCK WHEELS
(SF/HT)**



**SEMI-PNEUMATIC /
HAND TRUCK WHEELS
(SN/HT)**



**NEVER FLAT TIRES
(NF)**

MOLDON RUBBER / CAST IRON CORE - MR/CA

Capacity Up to 760 lbs.



Rubber on Iron Wheels By vulcanizing specially formulated rubber tread to iron centers we have created a truly rugged combination. Top-quality domestic rubber has nearly 2x the military specifications for tensile strength. "Springiness" allows improved rollability and some degree of debris rejection. Excellent floor protection, very quiet operation and a cushioned ride even on rough floors.

Wheel Options

- H-90 extra hard tread
- Gray non-marking tread
- Neoprene rubber tread
- High heat rubber tread
- Extra thick tread
- Keyways/set screws
- Special bores
- Special bearings
- Bearing seals
- Special widths or hub lengths
- Metric sizes

Made in USA

- **Reputation for Top Quality:** Top quality premium urethane tired wheels.
- **Solid Web Casting:** Most centers have solid webs to provide greater strength and allow easier cleaning. Wheels are painted aluminum and include grease fitting in sizes greater than 5".
- **Hardness:** 70A is standard. Extra hard (90A Durometer), neoprene and gray non-marking compounds are available as an option on all sizes.

Dia. (in.)	Face (in.)	Tread (in.)	Bore (in.)	Hub Length (in.)	Axle (in.)	Bearing Type	Cap. (lbs.)	Part Number
4	2	3/4	1-3/16	2-3/16	1-3/16	-	290	MR/CA-00-0420-19
4	2	3/4	1-3/16	2-3/16	3/4	Roller	290	MR/CA-R-0420-12
4	2	3/4	1-3/16	2-3/16	1/2	Roll./Span.	290	MR/CA-RS-0420-08
4	2	3/4	1.378	2-3/16	1/2	Prec. Ball	290	MR/CA-P-0420-08
5	2	7/8	1-3/16	2-3/16	1-3/16	-	350	MR/CA-00-0520-19
5	2	7/8	1-3/16	2-3/16	3/4	Roller	350	MR/CA-R-0520-12
5	2	7/8	1-3/16	2-3/16	1/2	Roll./Span.	350	MR/CA-RS-0520-08
5	2	7/8	1.378	2-3/16	1/2	Prec. Ball	350	MR/CA-P-0520-08
6	2	7/8	1-3/16	2-3/16	1-3/16	-	410	MR/CA-00-0620-19
6	2	7/8	1-3/16	2-3/16	3/4	Roller	410	MR/CA-R-0620-12
6	2	7/8	1-3/16	2-3/16	1/2	Roll./Span.	410	MR/CA-RS-0620-08
6	2	7/8	1-7/16	2-3/16	1	Roller	410	MR/CA-R-0620-16
6	2	7/8	1.378	2-3/16	1/2	Prec. Ball	410	MR/CA-P-0620-08
6	2-1/2	7/8	1-15/16	2-3/4	1-15/16	-	540	MR/CA-00-0625-31
6	2-1/2	7/8	1-15/16	2-3/4	1	Roller	540	MR/CA-R-0625-16
6	2-1/2	7/8	1-15/16	2-3/4	3/4	Roll./Span.	540	MR/CA-RS-0625-12
6	2-1/2	7/8	1-15/16	2-3/4	1-1/4	Roller	540	MR/CA-R-0625-20
6	2-1/2	7/8	2.044	2-3/4	3/4	Prec. Ball	540	MR/CA-P-0625-12
6	2-1/2	7/8	1.780	2-3/4	3/4	Tapered	540	MR/CA-T-0625-12
6	3	7/8	1-15/16	3-1/4	1-15/16	-	680	MR/CA-00-0630-31
6	3	7/8	1-15/16	3-1/4	1	Roller	680	MR/CA-R-0630-16
6	3	7/8	1-15/16	3-1/4	3/4	Roll./Span.	680	MR/CA-RS-0630-12
6	3	7/8	1-15/16	3-1/4	1-1/4	Roller	680	MR/CA-R-0630-20
6	3	7/8	2.044	3-1/4	3/4	Prec. Ball	680	MR/CA-P-0630-12
6	3	7/8	1.780	3-1/4	3/4	Tapered	680	MR/CA-T-0630-12
7	2	7/8	1-3/16	2-3/16	1-3/16	-	460	MR/CA-00-0720-19
7	2	7/8	1-3/16	2-3/16	3/4	Roller	460	MR/CA-R-0720-12
7	2	7/8	1-3/16	2-3/16	1/2	Roll./Span.	460	MR/CA-RS-0720-08
7	2	7/8	1.378	2-3/16	1	Prec. Ball	460	MR/CA-P-0720-16
7	2	7/8	1.780	2-3/16	1/2	Tapered	460	MR/CA-T-0720-08
7	3	7/8	1-15/16	3-1/4	1-15/16	-	760	MR/CA-00-0730-31
7	3	7/8	1-15/16	3-1/4	1	Roller	760	MR/CA-R-0730-16
7	3	7/8	1-15/16	3-1/4	3/4	Roll./Span.	760	MR/CA-RS-0730-12
7	3	7/8	1-15/16	3-1/4	1-1/4	Roller	760	MR/CA-R-0730-20
7	3	7/8	2.044	3-1/4	3/4	Prec. Ball	760	MR/CA-P-0730-12
7	3	7/8	1.780	3-1/4	3/4	Tapered	760	MR/CA-T-0730-12

(Continued on Next Page)

MOLDON RUBBER / CAST IRON CORE - MR/CA

Capacity Up to 1000 lbs.



- **Rough Floors:** Rubber treads are an excellent choice for workplaces where floors are rough or noise is a problem. The cushioning effect of rubber tread offers excellent protection for floors and cargo.

- **Operating Temperature:** Our standard 70A Durometer rubber tread has an operating temperature range of -70°F to +160°F. Extra hard H-90 increases the operating temperature range to -40°F to +200°F. Neoprene is 60°F to +200°F.

- **Capacities:** Capacities listed are for standard 70A hardness rubber. Other hardness and types are available. H-90 extra hard doubles the stated capacity.

Dia. (in.)	Face (in.)	Tread (in.)	Bore (in.)	Hub Length (in.)	Axle (in.)	Bearing Type	Cap. (lbs.)	Part Number
8	2	7/8	1-3/16	2-3/16	1-3/16	-	500	MR/CA-00-0820-19
8	2	7/8	1-3/16	2-3/16	3/4	Roller	500	MR/CA-R-0820-12
8	2	7/8	1-3/16	2-3/16	1/2	Roll./Span.	500	MR/CA-RS-0820-08
8	2	7/8	1-7/16	2-3/16	1	Roller	500	MR/CA-R-0820-16
8	2	7/8	1.378	2-3/16	1/2	Prec. Ball	500	MR/CA-P-0820-08
8	2	7/8	1.375	2-3/16	1/2	Tapered	500	MR/CA-T-0820-08
8	2	7/8	1.780	2-3/16	3/4	Tapered	500	MR/CA-T-0820-12
8	2-1/2	7/8	1-15/16	2-3/4	1-15/16	-	675	MR/CA-00-0825-31
8	2-1/2	7/8	1-15/16	2-3/4	1	Roller	675	MR/CA-R-0825-16
8	2-1/2	7/8	1-15/16	2-3/4	3/4	Roll./Span.	675	MR/CA-RS-0825-12
8	2-1/2	7/8	1-15/16	2-3/4	1-1/4	Roller	675	MR/CA-R-0825-20
8	2-1/2	7/8	2.044	2-3/4	3/4	Prec. Ball	675	MR/CA-P-0825-12
8	2-1/2	7/8	1.780	2-3/4	3/4	Tapered	675	MR/CA-T-0825-12
8	2-1/2	7/8	1.980	2-3/4	1	Tapered	675	MR/CA-T-0825-16
8	3	7/8	1-15/16	3-1/4	1-15/16	-	850	MR/CA-00-0830-31
8	3	7/8	1-15/16	3-1/4	1	Roller	850	MR/CA-R-0830-16
8	3	7/8	1-15/16	3-1/4	3/4	Roll./Span.	850	MR/CA-RS-0830-12
8	3	7/8	1-15/16	3-1/4	1-1/4	Roller	850	MR/CA-R-0830-20
8	3	7/8	2.044	3-1/4	3/4	Prec. Ball	850	MR/CA-P-0830-12
8	3	7/8	1.780	3-1/4	3/4	Tapered	850	MR/CA-T-0830-12
8	3	7/8	1.980	3-1/4	1	Tapered	850	MR/CA-T-0830-16
8	3	7/8	2.327	3-1/4	1-1/4	Tapered	850	MR/CA-T-0830-20
9	2-1/2	7/8	1-15/16	2-3/4	1-15/16	-	725	MR/CA-00-0925-31
9	2-1/2	7/8	1-15/16	2-3/4	1	Roller	725	MR/CA-R-0925-16
9	2-1/2	7/8	1-15/16	2-3/4	3/4	Roll./Span.	725	MR/CA-RS-0925-12
9	2-1/2	7/8	1-15/16	2-3/4	1-1/4	Roller	725	MR/CA-R-0925-20
9	2-1/2	7/8	1.780	2-3/4	3/4	Tapered	725	MR/CA-T-0925-12
9	2-1/2	7/8	1.980	2-3/4	1	Tapered	725	MR/CA-T-0925-16
9	3	1	1-15/16	3-1/4	1-15/16	-	925	MR/CA-00-0930-31
9	3	1	1-15/16	3-1/4	1	Roller	925	MR/CA-R-0930-16
9	3	1	1-15/16	3-1/4	3/4	Roll./Span.	925	MR/CA-RS-0930-12
9	3	1	1-15/16	3-1/4	1-1/4	Roller	925	MR/CA-R-0930-20
9	3	1	1.780	3-1/4	3/4	Tapered	925	MR/CA-T-0930-12
9	3	1	1.980	3-1/4	1	Tapered	925	MR/CA-T-0930-16
10	2	1	1-3/16	2-3/16	1-3/16	-	725	MR/CA-00-1020-19
10	2	1	1-3/16	2-3/16	3/4	Roller	725	MR/CA-R-1020-12
10	2	1	1-3/16	2-3/16	1/2	Roll./Span.	725	MR/CA-RS-1020-08
10	2	1	1.378	2-3/16	1/2	Roller	725	MR/CA-R-1020-08
10	2	1	1.780	2-3/16	3/4	Tapered	725	MR/CA-T-1020-12
10	2-1/2	1	1-15/16	2-3/4	1-15/16	-	790	MR/CA-00-1025-31
10	2-1/2	1	1-15/16	2-3/4	1	Roller	790	MR/CA-R-1025-16
10	2-1/2	1	1-15/16	2-3/4	3/4	Roll./Span.	790	MR/CA-RS-1025-12
10	2-1/2	1	1-15/16	2-3/4	1-1/4	Roller	790	MR/CA-R-1025-20
10	2-1/2	1	2.044	2-3/4	3/4	Prec. Ball	790	MR/CA-P-1025-12
10	2-1/2	1	1.780	2-3/4	3/4	Tapered	790	MR/CA-T-1025-12
10	2-1/2	1	1.980	2-3/4	1	Tapered	790	MR/CA-T-1025-16

(Continued on Next Page)

MOLDON RUBBER / CAST IRON CORE - MR/CA

Capacity Up to 2050 lbs.



- **Neoprene Rubber:** In oily or greasy areas Neoprene rubber compound is recommended. Capacities for Neoprene are the same as for 70A rubber. Available as an option on all sizes.
- **Extra Hard Tires:** Extra hard 90A Durometer rubber tires have higher capacity, and will start and roll more easily on relatively smooth floors. Available in all sizes.
- **Non-Marking Rubber:** Gray non-marking rubber is perfect for offices, institutions, gymnasiums and hospitals where unscuffed floors are a priority or where vinyl tile is used. Available as an option on all sizes.

Dia. (in.)	Face (in.)	Tread (in.)	Bore (in.)	Hub Length (in.)	Axle (in.)	Bearing Type	Cap. (lbs.)	Part Number
10	3	1	1-15/16	3-1/4	1-15/16	-	1000	MR/CA-00-1030-31
10	3	1	1-15/16	3-1/4	1	Roller	1000	MR/CA-R-1030-16
10	3	1	1-15/16	3-1/4	3/4	RoL./Span.	1000	MR/CA-RS-1030-12
10	3	1	1-15/16	3-1/4	1-1/4	Roller	1000	MR/CA-R-1030-20
10	3	1	2.044	3-1/4	3/4	Prec. Ball	1000	MR/CA-P-1030-12
10	3	1	1.780	3-1/4	3/4	Tapered	1000	MR/CA-T-1030-12
10	3	1	1.980	3-1/4	1	Tapered	1000	MR/CA-T-1030-16
10	4	1	1-15/16	4-1/4	1-15/16	-	1400	MR/CA-00-1040-31
10	4	1	1-15/16	4-1/4	1	Roller	1400	MR/CA-R-1040-16
10	4	1	1-15/16	4-1/4	3/4	RoL./Span.	1400	MR/CA-RS-1040-12
10	4	1	1-15/16	4-1/4	1-1/4	Roller	1400	MR/CA-R-1040-20
10	4	1	1-15/16	4-1/4	1	RoL./Span.	1400	MR/CA-RS-1040-16
10	4	1	1.937	4-1/4	3/4	Tapered	1400	MR/CA-T-1040-12
10	4	1	1.980	4-1/4	1	Tapered	1400	MR/CA-T-1040-16
10	4	1	2-7/16	4-1/4	2-7/16	-	1400	MR/CA-00-1040-39
10	4	1	2-7/16	4-1/4	1-1/4	Roller	1400	MR/CA-R-1040-20
10	4	1	2-7/16	4-1/4	1-1/2	Roller	1400	MR/CA-R-1040-24
10	4	1	2.437	4-1/4	1	Tapered	1400	MR/CA-T-1040-16
10	4	1	2.327	4-1/4	1-1/4	Tapered	1400	MR/CA-T-1040-20
11" wheels available. Consult Acorn™.								
12	2-1/2	1	1-15/16	2-3/4	1-15/16	-	900	MR/CA-00-1225-31
12	2-1/2	1	1-15/16	2-3/4	1	Roller	900	MR/CA-R-1225-16
12	2-1/2	1	1-15/16	2-3/4	3/4	RoL./Span.	900	MR/CA-RS-1225-12
12	2-1/2	1	1-15/16	2-3/4	1-1/4	Roller	900	MR/CA-R-1225-20
12	2-1/2	1	2.044	2-3/4	3/4	Prec. Ball	900	MR/CA-P-1225-12
12	2-1/2	1	1.780	2-3/4	3/4	Tapered	900	MR/CA-T-1225-12
12	2-1/2	1	1.980	2-3/4	1	Tapered	900	MR/CA-T-1225-16
12	3	1	1-15/16	3-1/4	1-15/16	-	1150	MR/CA-00-1230-31
12	3	1	1-15/16	3-1/4	1	Roller	1150	MR/CA-R-1230-16
12	3	1	1-15/16	3-1/4	3/4	RoL./Span.	1150	MR/CA-RS-1230-12
12	3	1	1-15/16	3-1/4	1-1/4	Roller	1150	MR/CA-R-1230-20
12	3	1	2.044	3-1/4	3/4	Prec. Ball	1150	MR/CA-P-1230-12
12	3	1	1.780	3-1/4	3/4	Tapered	1150	MR/CA-T-1230-12
12	3	1	1.980	3-1/4	1	Tapered	1150	MR/CA-T-1230-16
12	3-1/2	1	2-7/16	4-1/4	2-7/16	-	1375	MR/CA-00-1235-39
12	3-1/2	1	2-7/16	4-1/4	1-1/4	Roller	1375	MR/CA-R-1235-20
12	3-1/2	1	2-7/16	4-1/4	1-1/2	Roller	1375	MR/CA-R-1235-24
12	3-1/2	1	2.437	4-1/4	1	Tapered	1375	MR/CA-T-1235-16
12	3-1/2	1	2.327	4-1/4	1-1/4	Tapered	1375	MR/CA-T-1235-20
12	4	1	2-7/16	4-1/4	2-7/16	-	1600	MR/CA-00-1240-39
12	4	1	2-7/16	4-1/4	1-1/4	Roller	1600	MR/CA-R-1240-20
12	4	1	2-7/16	4-1/4	1-1/2	Roller	1600	MR/CA-R-1240-24
12	4	1	2.437	4-1/4	1	Tapered	1600	MR/CA-T-1240-16
12	4	1	2.327	4-1/4	1-1/4	Tapered	1600	MR/CA-T-1240-20

(Continued on Next Page)

MOLDON RUBBER / CAST IRON CORE - MR/CA

Capacity Up to 2575 lbs.



- **Special Bores/Keyways:** Most rubber-tired wheels can be made with special bores, keyways and/or set screws.
- **Tapered Bearings:** Most sizes can be equipped with tapered roller bearings which include seals and spacers.
- **Extra Thick Rubber:** Wheels can be equipped with extra thick rubber tread for added cushioning.
- **Grease Fittings:** All sizes come equipped with a grease zerk except the 4" and 5" sizes.
- **Carbon Black:** The carbon black content of our 70A and 90A rubber will cause floor marking. Gray non-marking or premium urethane should be considered when floor marking is a concern.

Dia. (in.)	Face (in.)	Tread (in.)	Bore (in.)	Hub Length (in.)	Axle (in.)	Bearing Type	Cap. (lbs.)	Part Number
12	5	1	2-7/16	5-1/4	2-7/16	-	2050	MR/CA-00-1250-39
12	5	1	2-7/16	5-1/4	1-1/4	Roller	2050	MR/CA-R-1250-20
12	5	1	2-7/16	5-1/4	1-1/2	Roller	2050	MR/CA-R-1250-24
12	5	1	2.437	5-1/4	1	Tapered	2050	MR/CA-T-1250-16
12	5	1	2.327	5-1/4	1-1/4	Tapered	2050	MR/CA-T-1250-20
14	2-1/2	1	1-15/16	2-3/4	1-15/16	-	1100	MR/CA-00-1425-31
14	2-1/2	1	1-15/16	2-3/4	1	Roller	1100	MR/CA-R-1425-16
14	2-1/2	1	1-15/16	2-3/4	3/4	Roll./Span.	1100	MR/CA-RS-1425-12
14	2-1/2	1	1-15/16	2-3/4	1-1/4	Roller	1100	MR/CA-R-1425-20
14	2-1/2	1	2.044	2-3/4	3/4	Prec. Ball	1100	MR/CA-P-1425-12
14	2-1/2	1	1.780	2-3/4	3/4	Tapered	1100	MR/CA-T-1425-12
14	2-1/2	1	1.980	2-3/4	1	Tapered	1100	MR/CA-T-1425-16
14	3	1	1-15/16	3-1/4	1-15/16	-	1275	MR/CA-00-1430-31
14	3	1	1-15/16	3-1/4	1	Roller	1275	MR/CA-R-1430-16
14	3	1	1-15/16	3-1/4	3/4	Roll./Span.	1275	MR/CA-RS-1430-12
14	3	1	1-15/16	3-1/4	1-1/4	Roller	1275	MR/CA-R-1430-20
14	3	1	2.044	3-1/4	3/4	Prec. Ball	1275	MR/CA-P-1430-12
14	3	1	1.780	3-1/4	3/4	Tapered	1275	MR/CA-T-1430-12
14	3	1	1.980	3-1/4	1	Tapered	1275	MR/CA-T-1430-16
16	2-1/2	1	1-15/16	2-3/4	1-15/16	-	1150	MR/CA-00-1625-31
16	2-1/2	1	1-15/16	2-3/4	1	Roller	1150	MR/CA-R-1625-16
16	2-1/2	1	1-15/16	2-3/4	3/4	Roll./Span.	1150	MR/CA-RS-1625-12
16	2-1/2	1	1-15/16	2-3/4	1-1/4	Roller	1150	MR/CA-R-1625-20
16	2-1/2	1	2.044	2-3/4	3/4	Prec. Ball	1150	MR/CA-P-1625-12
16	2-1/2	1	1.780	2-3/4	3/4	Tapered	1150	MR/CA-T-1625-12
16	2-1/2	1	1.980	2-3/4	1	Tapered	1150	MR/CA-T-1625-16
16	3	1	1-15/16	3-1/4	1-15/16	-	1420	MR/CA-00-1630-31
16	3	1	1-15/16	3-1/4	1	Roller	1420	MR/CA-R-1630-16
16	3	1	1-15/16	3-1/4	3/4	Roll./Span.	1420	MR/CA-RS-1630-12
16	3	1	1-15/16	3-1/4	1-1/4	Roller	1420	MR/CA-R-1630-20
16	3	1	2.044	3-1/4	3/4	Prec. Ball	1420	MR/CA-P-1630-12
16	3	1	1.780	3-1/4	3/4	Tapered	1420	MR/CA-T-1630-12
16	3	1	1.980	3-1/4	1	Tapered	1420	MR/CA-T-1630-16
16	4	1	2-7/16	4-1/4	2-7/16	-	1990	MR/CA-00-1640-39
16	4	1	2-7/16	4-1/4	1-1/4	Roller	1990	MR/CA-R-1640-20
16	4	1	2-7/16	4-1/4	1-1/2	Roller	1990	MR/CA-R-1640-24
16	4	1	2.437	4-1/4	1	Tapered	1990	MR/CA-T-1640-16
16	4	1	2.327	4-1/4	1-1/4	Tapered	1990	MR/CA-T-1640-20
16	5	1	2-7/16	5-1/4	2-7/16	-	2575	MR/CA-00-1650-39
16	5	1	2-7/16	5-1/4	1-1/4	Roller	2575	MR/CA-R-1650-20
16	5	1	2-7/16	5-1/4	1-1/2	Roller	2575	MR/CA-R-1650-24
16	5	1	3-1/4	5-1/4	2	Roller	2575	MR/CA-R-1650-32
16	5	1	2.437	5-1/4	1	Tapered	2575	MR/CA-T-1650-16
16	5	1	2.437	5-1/4	1-1/4	Tapered	2575	MR/CA-T-1650-20
16	5	1	2.717	5-1/4	1-1/2	Tapered	2575	MR/CA-T-1650-24

(Continued on Next Page)

MOLDON RUBBER / CAST IRON CORE - MR/CA

Capacity Up to 3050 lbs.



- **Special Bores/Keyways:** Most rubber-tired wheels can be made with special bores, keyways and/or set screws.
- **Tapered Bearings:** Most sizes can be equipped with tapered roller bearings which include seals and spacers.
- **Extra Thick Rubber:** Wheels can be equipped with extra thick rubber tread for added cushioning.
- **Grease Fittings:** All sizes come equipped with a grease zerk except the 4" and 5" sizes.
- **Carbon Black:** The carbon black content of our 70A and 90A rubber will cause floor marking. Gray non-marking or premium urethane should be considered when floor marking is a concern.

Dia. (in.)	Face (in.)	Tread (in.)	Bore (in.)	Hub Length (in.)	Axle (in.)	Bearing Type	Cap. (lbs.)	Part Number
18	3	1	1-15/16	3-1/4	1-15/16	-	1500	MR/CA-00-1830-31
18	3	1	1-15/16	3-1/4	1	Roller	1500	MR/CA-R-1830-16
18	3	1	1-15/16	3-1/4	1-1/4	Roller	1500	MR/CA-R-1830-20
18	3	1	1.780	3-1/4	3/4	Tapered	1500	MR/CA-T-1830-12
18	3	1	1.980	3-1/4	1	Tapered	1500	MR/CA-T-1830-16
18	3	1	2-7/16	4-1/4	2-7/16	-	1500	MR/CA-00-1830-39
18	3	1	2-7/16	4-1/4	1-1/4	Roller	1500	MR/CA-R-1830-20
18	3	1	2-7/16	4-1/4	1-1/2	Roller	1500	MR/CA-R-1830-24
18	3	1	2.327	4-1/4	1-1/4	Tapered	1500	MR/CA-T-1830-20
18	3-1/2	1	1-15/16	4-1/4	1-15/16	-	1800	MR/CA-00-1835-31
18	3-1/2	1	1-15/16	4-1/4	1	Roller	1800	MR/CA-R-1835-16
18	3-1/2	1	1-15/16	4-1/4	1-1/4	Roller	1800	MR/CA-R-1835-20
18	3-1/2	1	1.937	4-1/4	3/4	Tapered	1800	MR/CA-T-1835-12
18	3-1/2	1	1.980	4-1/4	1	Tapered	1800	MR/CA-T-1835-16
18	3-1/2	1	2.327	4-1/4	1-1/4	Tapered	1800	MR/CA-T-1835-20
18	5	1	2-7/16	5-1/4	2-7/16	-	2800	MR/CA-00-1850-39
18	5	1	2-7/16	5-1/4	1-1/4	Roller	2800	MR/CA-R-1850-20
18	5	1	2-7/16	5-1/4	1-1/2	Roller	2800	MR/CA-R-1850-24
18	5	1	3-1/16	5-1/4	1-3/4	Roller	2800	MR/CA-R-1850-28
18	5	1	3-1/4	5-1/4	2	Roller	2800	MR/CA-R-1850-32
18	5	1	2.437	5-1/4	1	Tapered	2800	MR/CA-T-1850-16
18	5	1	2.437	5-1/4	1-1/4	Tapered	2800	MR/CA-T-1850-20
18	5	1	2.717	5-1/4	1-1/2	Tapered	2800	MR/CA-T-1850-24
20	3	1	1-15/16	3-1/4	1-15/16	-	1675	MR/CA-00-2030-31
20	3	1	1-15/16	3-1/4	1	Roller	1675	MR/CA-R-2030-16
20	3	1	1-15/16	3-1/4	1-1/4	Roller	1675	MR/CA-R-2030-20
20	3	1	1.780	3-1/4	3/4	Tapered	1675	MR/CA-T-2030-12
20	3	1	1.980	3-1/4	1	Tapered	1675	MR/CA-T-2030-16
20	3	1	2-7/16	4-1/4	2-7/16	-	1675	MR/CA-00-2030-39
20	3	1	2-7/16	4-1/4	1-1/4	Roller	1675	MR/CA-R-2030-20
20	3	1	2-7/16	4-1/4	1-1/2	Roller	1675	MR/CA-R-2030-24
20	3	1	2.437	4-1/4	1	Tapered	1675	MR/CA-T-2030-16
20	3	1	2.327	4-1/4	1-1/4	Tapered	1675	MR/CA-T-2030-20
20	5	1	2-7/16	5-1/4	2-7/16	-	3050	MR/CA-00-2050-39
20	5	1	2-7/16	5-1/4	1-1/4	Roller	3050	MR/CA-R-2050-20
20	5	1	2-7/16	5-1/4	1-1/2	Roller	3050	MR/CA-R-2050-24
20	5	1	3-1/16	5-1/4	1-3/4	Roller	3050	MR/CA-R-2050-28
20	5	1	3-1/4	5-1/4	2	Roller	3050	MR/CA-R-2050-32
20	5	1	2.437	5-1/4	1	Tapered	3050	MR/CA-T-2050-16
20	5	1	2.437	5-1/4	1-1/4	Tapered	3050	MR/CA-T-2050-20
20	5	1	2.717	5-1/4	1-1/2	Tapered	3050	MR/CA-T-2050-24

MOLDON RUBBER / CAST IRON CORE - MR/CA

Capacity Up to 3020 lbs.



Cushion rubber treads are vulcanized to cast iron cores. The soft rubber tread affords a cushion effect to the load and excellent floor protection. These wheels are highly shock absorbing and provide quiet operation, while dampening vibration.

Features

Wheel face: Moderate crown

- **Finish:** Black tread on black enamel core
- **Temperature Range:** -40°F up to +180°F
- **Hardness:** 80-83 Shore A

Wheel Options

- **Note:** Select bearings featured are recommended for standard applications. For special applications or alternate bearings consult Acorn™.
- For customization & special application options, please consult Acorn™.

Dia. (in.)	Width (in.)	Capacity (lbs.)	Hub Length (in.)	Bore (in.)	Bearing (in.)	Wt. (lbs.)	Part Number*
3-1/4	1-1/2	140	1-5/8	1-3/16	1/2	1	MR/CA-R-3215-08
3-1/4	1-1/2	140	1-5/8	1-3/16	5/8	1	MR/CA-R-3215-10
3-1/4	1-1/2	140	1-5/8	1-3/16	3/4	1	MR/CA-R-3215-12
4	1-1/2	250	1-5/8	1-3/16	1/2	1-1/4	MR/CA-R-0415-08
4	1-1/2	250	1-5/8	1-3/16	5/8	1-1/4	MR/CA-R-0415-10
4	1-1/2	250	1-5/8	1-3/16	3/4	1-1/4	MR/CA-R-0415-12
4	2	300	2-3/16	1-3/16	1/2	1-1/2	MR/CA-R-0420-08
4	2	300	2-3/16	1-3/16	5/8	1-1/2	MR/CA-R-0420-10
4	2	300	2-3/16	1-3/16	3/4	1-1/2	MR/CA-R-0420-12
5	1-1/2	350	1-5/8	1-3/16	1/2	1-1/2	MR/CA-R-0515-08
5	1-1/2	350	1-5/8	1-3/16	5/8	1-1/2	MR/CA-R-0515-10
5	1-1/2	350	1-5/8	1-3/16	3/4	1-1/2	MR/CA-R-0515-12
5	2	450	2-3/16	1-3/16	1/2	2	MR/CA-R-0520-08
5	2	450	2-3/16	1-3/16	5/8	2	MR/CA-R-0520-10
5	2	450	2-3/16	1-3/16	3/4	2	MR/CA-R-0520-12
6	2	500	2-3/16	1-3/16	1/2	2-1/4	MR/CA-R-0620-08
6	2	500	2-3/16	1-3/16	5/8	2-1/4	MR/CA-R-0620-10
6	2	500	2-3/16	1-3/16	3/4	2-1/4	MR/CA-R-0620-12
6	2-1/2	700	3-1/4	1-15/16	1	10	MR/CA-R-0625/32-16
6	2-1/2	700	2-3/4	1-15/16	1	9-1/4	MR/CA-R-0625/27-16
6	2-1/2	700	2-3/4	1-3/16	3/4	6-1/4	MR/CA-R-0625/27-12
6	2-1/2	700	3-1/2	1-15/16	3/4	9-1/2	MR/CA-T-0625/35-12
6	3	750	3-1/4	1-15/16	1	9-1/2	MR/CA-R-0630/32-16
6	3	750	3-1/4	1-15/16	1-1/4	9-1/2	MR/CA-R-0630/32-20
6	3	750	3-1/2	1-15/16	3/4	9-1/4	MR/CA-T-0630/35-12
7	2-1/2	800	2-3/4	1-15/16	1	9-1/2	MR/CA-R-0725-16
8	2	600	2-3/16	1-3/16	1/2	3-1/2	MR/CA-R-0820-08
8	2	600	2-3/16	1-3/16	3/4	6-1/3	MR/CA-R-0820-12
8	2	600	2-3/16	1-3/16	5/8	3-1/2	MR/CA-R-0820-10
8	2	600	2-3/16	1-3/16	7/8	3-1/2	MR/CA-R-0820-10
8	2	600	2-3/16	1-15/16	1	4	MR/CA-R-0820-10
8	2-1/2	850	3-1/4	1-15/16	1	9-3/4	MR/CA-R-0825/32-10
8	2-1/2	850	3-1/4	1-15/16	1-1/4	9-3/4	MR/CA-R-0825/32-10
8	2-1/2	850	2-3/4	1-15/16	1	9-1/2	MR/CA-R-0825/27-10
8	2-1/2	850	2-3/4	1-3/16	3/4	8-1/2	MR/CA-R-0825/27-10
8	2-1/2	850	3-1/2	1-15/16	3/4	9-1/2	MR/CA-T-0825/35-10
8	3	900	3-1/2	1-15/16	3/4	11-1/4	MR/CA-T-0830/35-12
8	3	900	3-1/2	1.98	1	11-1/4	MR/CA-T-0830/35-16
8	3	900	3-1/4	1-15/16	1	11-1/4	MR/CA-T-0830/32-16
8	3	900	3-1/4	1-15/16	1-1/4	11-1/2	MR/CA-R-0830/32-20

(Continued on Next Page)

MOLDON RUBBER / CAST IRON CORE - MR/CA

(Continued)



Dia. (in.)	Width (in.)	Capacity (lbs.)	Hub Length (in.)	Bore (in.)	Bearing (in.)	Wt. (lbs.)	Part Number
10	2-1/2	950	2-3/4	1-3/16	3/4	12-1/4	MR/CA-R-1025/27-12
10	2-1/2	950	2-3/4	1-3/16	7/8	12-3/4	MR/CA-R-1025/27-14
10	2-1/2	950	3-1/4	1-15/16	1	13	MR/CA-R-1025/32-16
10	2-1/2	950	2-3/4	1-15/16	1	12-3/4	MR/CA-R-1025/27-16
10	2-1/2	950	3-1/4	1-15/16	1-1/4	13	MR/CA-R-1025/32-20
10	3	1000	3-1/2	1-15/16	3/4	14	MR/CA-R-1025/35-20
10	3	1000	3-1/4	1-15/16	1	14-1/4	MR/CA-R-1025/32-20
10	3	1000	3-1/2	1.98	1	14	MR/CA-T-1030-12
10	3	1000	3-1/4	1-15/16	1-1/4	14-1/4	MR/CA-R-1030-20
10	3	1000	3-1/2	2.33	1-1/4	14	MR/CA-T-1030-12
10	4	1400	4-1/4	2-7/16	1-1/4	25-1/2	MR/CA-R-1040-20
10	4	1400	4-1/4	2-7/16	1-1/2	25-1/2	MR/CA-R-1040-24
10	4	1400	4-1/2	2-7/16	1	25	MR/CA-T-1040-16
10	4	1400	4-1/2	2-7/16	1-1/4	25	MR/CA-T-1040-20
12	2-1/2	950	3-1/4	1-15/16	1	16	MR/CA-R-1225/32-16
12	2-1/2	950	3-1/4	1-15/16	1-1/4	20	MR/CA-R-1225/32-20
12	2-1/2	950	2-3/4	1-15/16	1	15-1/2	MR/CA-R-1225/27-16
12	3	1200	3-1/4	1-15/16	1	19-1/4	MR/CA-R-1030-16
12	3	1200	3-1/4	1-15/16	1-1/4	19-1/4	MR/CA-R-1030-20
12	3	1200	3-1/2	1-15/16	3/4	19	MR/CA-T-1030-12
12	3-1/2	1500	4-1/4	2-7/16	1-1/4	24	MR/CA-R-1235/42-20
12	3-1/2	1500	4-1/4	2-7/16	1-1/2	24	MR/CA-R-1235/42-24
12	3-1/2	1500	4-1/2	2-7/16	1	23	MR/CA-T-1235/45-16
12	3-1/2	1500	4-1/2	2-7/16	1-1/4	23	MR/CA-T-1235/45-20
12	4	1600	4-1/4	2-7/16	1-1/4	29-1/2	MR/CA-R-1240-20
12	4	1600	4-1/4	2-7/16	1-1/2	29-1/2	MR/CA-R-1240-24
12	4	1600	4-1/2	2-7/16	1	29	MR/CA-T-1240-16
12	4	1600	4-1/2	2-7/16	1-1/4	29	MR/CA-T-1240-20
14	2-1/2	1100	3-3/4	1-15/16	1	18	MR/CA-R-1425/37-10
14	2-1/2	1100	2-3/4	1-15/16	1-1/4	18	MR/CA-R-1425/32-20
14	3	1800	3-1/4	1-15/16	1	23-1/2	MR/CA-R-1430-16
14	3	1800	3-1/4	1-15/16	1-1/4	23-1/2	MR/CA-R-1430-20
16	3	1500	3-1/4	1-15/16	1	40	MR/CA-R-1630-12
16	3	1500	3-1/4	1-15/16	1-1/4	40	MR/CA-R-1630-20
16	4	2000	4-1/4	2-7/16	1-1/4	47-3/4	MR/CA-R-1640-20
16	4	2000	4-1/4	2-7/16	1-1/2	47-3/4	MR/CA-R-1640-24
16	5	2570	5-1/4	2-7/16	1-1/4	60-1/4	MR/CA-R-1650-20
16	5	2570	5-1/4	2-7/16	1-1/2	60-1/4	MR/CA-R-1650-24
16	5	2570	5-1/4	3-1/4	2	60-1/4	MR/CA-R-1650-32
18	3	1550	4-1/4	2-7/16	1-1/4	41-3/4	MR/CA-R-1830-20
18	3	1550	4-1/4	2-7/16	1-1/2	41-3/4	MR/CA-R-1830-24
18	5	2800	5-1/4	2-7/16	1-1/2	83-1/4	MR/CA-R-1850-24
18	5	2800	5-1/4	3-1/16	1-3/4	86	MR/CA-R-1850-28
18	5	2800	5-1/4	3-1/4	2	86	MR/CA-R-1850-32
20	3	1680	4-1/4	2-7/16	1-1/4	64	MR/CA-R-2030-20
20	3	1680	4-1/4	2-7/16	1-1/2	64	MR/CA-R-2030-24
20	5	3020	5-1/4	3-1/4	2	93	MR/CA-R-2050-32

MOLDON RUBBER HEAVY DUTY / CAST IRON CORE - MR/HD/CA

Capacity Up to 2500 lbs.



Heavy Duty cushion rubber treads are vulcanized to cast iron cores. The soft rubber tread affords a cushion effect to the load and excellent floor protection. These wheels are highly shock absorbing and provide quiet operation, while dampening vibration.

Features

- **Wheel face:** Moderate crown
- **Finish:** Black tread on iron core
- **Temperature Range:** -40°F up to +180°F
- **Hardness:** 90-93 Shore A

Wheel Options

- **Note:** Select bearings featured are recommended for standard applications. For special applications or alternate bearings consult Acorn™.
- For customization & special application options, please consult Acorn™.

Dia. (in.)	Width (in.)	Capacity (lbs.)	Hub Length (in.)	Bore (in.)	Bearing (in.)	Part Number*
3-1/4	1-1/2	340	1-5/8	1-3/16	3/4	MR/HD/CA-R-3215-12
4	1-1/2	400	1-5/8	1-3/16	3/4	MR/HD/CA-R-4215-12
5	1-1/2	560	1-5/8	1-3/16	1/2	MR/HD/CA-R-0515-08
5	1-1/2	560	1-5/8	1-3/16	5/8	MR/HD/CA-R-0515-10
5	1-1/2	560	1-5/8	1-3/16	3/4	MR/HD/CA-R-0515-12
5	2	700	2-3/16	1-3/16	1/2	MR/HD/CA-R-0520-08
5	2	700	2-3/16	1-3/16	5/8	MR/HD/CA-R-0520-10
5	2	700	2-3/16	1-3/16	3/4	MR/HD/CA-R-0520-12
6	2	820	2-3/16	1-3/16	1/2	MR/HD/CA-R-0620-08
6	2	820	2-3/16	1-3/16	5/8	MR/HD/CA-R-0620-10
6	2	820	2-3/16	1-3/16	3/4	MR/HD/CA-R-0620-12
7	1-5/8	760	2	1-3/16	5/8	MR/HD/CA-R-0716-10
7	1-5/8	760	2	1-3/16	3/4	MR/HD/CA-R-0716-12
8	2	1000	2-3/16	1-3/16	5/8	MR/HD/CA-R-0820-10
8	2	1000	2-3/16	1-3/16	3/4	MR/HD/CA-R-0820-12
8	2	1000	2-3/16	1-3/16	7/8	MR/HD/CA-R-0820-14
8	2	1000	2-3/16	1-15/16	1	MR/HD/CA-R-0820-16
8	2-1/2	1300	2-3/4	1-3/16	7/8	MR/HD/CA-R-0825-14
8	2-1/2	1300	2-3/4	1-15/16	1	MR/HD/CA-R-0825-16
10	2-1/2	1500	2-3/4	1-3/16	7/8	MR/HD/CA-R-1025-14
10	2-1/2	1500	2-3/4	1-15/16	1	MR/HD/CA-R-1025-16
10	2-1/2	1500	2-3/4	1-15/16	1-1/2	MR/HD/CA-R-1025-24
10	3	1800	3-1/4	1-15/16	1	MR/HD/CA-R-1030-16
12	2-1/2	1700	2-3/4	1-15/16	1-1/4	MR/HD/CA-R-1225-20
12	2-1/2	1700	2-3/4	1-15/16	1	MR/HD/CA-R-1225-16
16	3	2500	3	2-7/16	1-1/4	MR/HD/CA-R-1630-20

*PL = Plain Bearing; R = Roller Bearing; P = Pedestal Bearing

HIGH MODULUS RUBBER / ALUMINUM CORE - HMR/AL

Capacity Up to 450 lbs.



High modulus rubber wheels roll and swivel easier than conventional rubber wheels.

Dia. (in.)	Width (in.)	Capacity (lbs.)	Hub Length (in.)	Bore (in.)	Bearing (in.)	Wt. (lbs.)	Part Number*
5	2	300	2-7/16	1-3/16	1/2	2	HMR/AL-P-0520-08
6	2	350	2-7/16	1-3/16	1/2	3	HMR/AL-P-0620-08
8	2	450	2-7/16	1-3/16	1/2	4	HMR/AL-P-0820-08

*PL = Plain Bearing; R = Roller Bearing; P = Pedestal Bearing

Features

- **Hardness:** 65-68 Shore A
- Wheels are complete with top hat and spacers
- **Wheel face:** Round tread
- **Finish:** Gray tread on aluminum core
- **Temperature Range:** -40°F to +180°F

MOLDON RUBBER / ALUMINUM CORE - MR/AL

Capacity Up to 600 lbs.



Cushion rubber treads are vulcanized to die cast aluminum core. The soft rubber tread affords a cushion effect to the load and excellent floor protection. These wheels are highly shock absorbing and provide quiet operation, while dampening vibration.

Features

- **Wheel face:** Moderate crown
- **Finish:** Blue on natural aluminum core. Red or Black or other treads available.
- **Temperature Range:** -40°F up to +180°F
- **Hardness:** 80-83 Shore A

Wheel Options

- **Note:** Select bearings featured are recommended for standard applications. For special applications or alternate bearings consult Acorn™.
- For customization & special application options, please consult Acorn™.

Dia. (in.)	Width (in.)	Capacity (lbs.)	Hub Length (in.)	Bore (in.)	Bearing (in.)	Wt. (lbs.)	Part Number*
4	1-1/2	250	1-5/8	1-3/16	1/2	1-1/4	MR/AL-P-0415-08
4	1-1/2	250	1-5/8	1-3/16	5/8	1-1/4	MR/AL-P-0415-10
4	1-1/2	250	1-5/8	1-3/16	3/4	1-1/4	MR/AL-P-0415-12
4	2	400	2-3/16	1-3/16	1/2	1-1/2	MR/AL-P-0420-08
4	2	400	2-3/16	1-3/16	5/8	1-1/2	MR/AL-P-0420-10
4	2	400	2-3/16	1-3/16	3/4	1-1/2	MR/AL-P-0420-12
5	1-1/2	300	1-5/8	1-3/16	1/2	1-1/2	MR/AL-P-0515-08
5	1-1/2	300	1-5/8	1-3/16	5/8	1-1/2	MR/AL-P-0510-10
5	1-1/2	300	1-5/8	1-3/16	3/4	1-1/2	MR/AL-P-0510-12
5	2	500	2-3/16	1-3/16	1/2	2	MR/AL-P-0520-08
5	2	500	2-3/16	1-3/16	5/8	2	MR/AL-P-0520-10
5	2	500	2-3/16	1-3/16	3/4	2	MR/AL-P-0520-12
6	2	550	2-3/16	1-3/16	1/2	2-1/4	MR/AL-P-0620-08
6	2	550	2-3/16	1-3/16	5/8	2-1/4	MR/AL-P-0620-10
6	2	550	2-3/16	1-3/16	3/4	2-1/4	MR/AL-P-0620-12
6	2-1/2	600	3-1/4	1-15/16	1-1/4	10	MR/AL-P-0625-20
8	2	600	2-3/16	1-3/16	1/2	3-1/2	MR/AL-P-0820-08
8	2	600	2-3/16	1-3/16	5/8	3-1/2	MR/AL-P-0820-10
8	2	600	2-3/16	1-3/16	3/4	3-1/2	MR/AL-P-0820-12

* R = Roller Bearing; T = Tapered Bearing; P = Precision Bearing

11 U.S. - Extra Soft Rubber / Polypropylene Core / Crown Tread

EXTRA SOFT RUBBER / POLYPROPYLENE CORE / CROWN TREAD - XSR/PB/CT

Capacity Up to 675 lbs.



The extra soft rubber wheels offer the ultimate in ergonomic ease. Whether it's durability, quiet operation, or rollability, these wheels can answer your every application need.

Features

- **Wheel Face:** Moderate crown
- **Finish:** Non-marking gray tread on gray core.
- **Temperature Range:** -45°F up to +180°F
- **Hardness:** 85-88 Shore A

Wheel Options

- For customization & special application options, please consult Acorn™.

Dia. (in.)	Width (in.)	Capacity (lbs.)	Hub Length (in.)	Bore (in.)	Bearing (in.)	Wt. (lbs.)	Part Number*
Xtra-Soft Flat Gray Tread / Gray Core XSR/FT (Light Duty) With Delrin Bushings							
3	1-1/4	200	1-1/2	1-1/16	1/2	5/16	XSR/PB/CT-D-0312-08
3-1/2	1-1/4	250	1-1/2	1-1/16	1/2	5/16	XSR/PB/CT-D-3512-08
4	1-1/4	300	1-1/2	1-1/16	1/2	3/8	XSR/PB/CT-D-0412-08
5	1-1/4	325	1-1/2	1-1/16	1/2	3/4	XSR/PB/CT-D-0512-08
6	1-1/4	325	1-1/2	1-1/16	1/2	3/4	XSR/PB/CT-D-0612-08
Xtra-Soft Flat Gray Tread / Gray Core XSR/FT (Medium Heavy Duty) With Prec. Ball Bearings							
4	2	350	2-7/16	1-9/16	1/2	1	XSR/PB/CT-P-0420-08
5	2	375	2-7/16	1-9/16	1/2	1-1/8	XSR/PB/CT-P-0520-08
6	2	500	2-7/16	1-9/16	1/2	1-3/8	XSR/PB/CT-P-0620-08
8	2	500	2-7/16	1-9/16	1/2	2-3/8	XSR/PB/CT-P-0820-08
Xtra-Soft Flat Black Tread (Center Hub) with Pedestal Precision Ball Bearings							
8	1-1/2	350	2.32	1-3/16	1/2	3	XSR/PB/CT-P-0815-08
Xtra-Soft Light Duty Conductive XSR/FT/C With Annular Ball Bearings							
3	1-1/4	200	1-1/2	1-1/16	3/8	5/16	XSR/PB/CT-P-0312-08
3-1/2	1-1/4	250	1-1/2	1-1/16	3/8	5/16	XSR/PB/CT-P-3512-08
4	1-1/4	300	1-1/2	1-1/16	3/8	3/8	XSR/PB/CT-P-0412-08
5	1-1/4	325	1-1/2	1-1/16	3/8	3/4	XSR/PB/CT-P-0512-08
6	1-1/4	325	1-1/2	1-1/16	3/8	3/4	XSR/PB/CT-P-0612-08
Xtra-Soft Medium Heavy Duty Conductive XSR/FT/C with Precision Ball Bearings							
4	2	350	2-7/16	1-9/16	1/2	1	XSR/PB/CT-P-0420-08
5	2	375	2-7/16	1-9/16	1/2	1-1/8	XSR/PB/CT-P-0520-08
6	2	500	2-7/16	1-9/16	1/2	1-3/8	XSR/PB/CT-P-0620-08
8	2	500	2-7/16	1-9/16	1/2	2-3/8	XSR/PB/CT-P-0820-08

* R = Roller Bearing; T = Tapered Bearing; P = Precision Bearing; D = Delrin Bearing

EXTRA SOFT RUBBER / POLYPROPYLENE CORE / DONUT TREAD - XSR/PB/DT

Capacity Up to 850lbs.



The Ultimate X-tra soft rubber wheels offer the ultimate in ergonomic ease. Whether it's durability, quiet operation, or rollability, these wheels can answer our every application need.

Features

- **Wheel Face:** Donut tread
- **Finish:** Non-marking gray tread on gray core.
- **Wheels:** Non-marking black tread on grey core
- **Temperature Range:** -45°F up to +180°F
- **Hardness:** 65-68 Shore A

Wheel Options

- For customization & special application options, please consult Acorn™.

Dia. (in.)	Width (in.)	Capacity (lbs.)	Hub Length (in.)	Bore (in.)	Bearing (in.)	Wt. (lbs.)	Part Number*
Xtra-Soft Round Gray Tread XSR/DTG with Precision Ball Bearing							
3	1-1/4	200	1-1/2	1-1/16	3/8	5/16	XSR/PB/DT-0312-06
3-1/2	1-1/4	250	1-1/2	1-1/16	3/8	5/16	XSR/PB/DT-3512-06
4	1-1/4	300	1-1/2	1-1/16	3/8	3/8	XSR/PB/DT-0412-06
5	1-1/4	325	1-1/2	1-1/16	3/8	3/4	XSR/PB/DT-0512-06
Xtra-Soft Round Gray Tread XSR/DTG with Precision Ball Bearing							
6	2	450	2-7/16	1-9/16	1/2	1-3/8	XSR/PB/DT-0620-08
8	2	500	2-7/16	1-9/16	1/2	2-3/8	XSR/PB/DT-0820-08
Xtra-Soft Round Gray Tread XSR/DTG with Precision Ball Bearing							
10	2-1/2	850	3-1/2	2-7/16	3/4	3	XSR/PB/DT-P-1025-12
10	2-1/2	850	3-1/4	1-15/16	1	3	XSR/PB/DT-P-1025-16
Xtra-Soft Round Black Tread XSR/DTB (Center Hub) With Pedestal Ball Bearing							
10	1-3/4	250	2-1/4	1-3/8	1/2	3	XSR/DTB-P-1017-08
Xtra-Soft Round Black Tread (Hand Truck Wheel Offset Hub) With Precision Bearings							
10	2	250	2-1/4	1-3/8	5/8	3	XSR/PB/DT-P-1020-10
Xtra-Soft Round Conductive Gray Tread With Precision Bearings							
6	2	450	2-7/16	1-9/16	1/2	1-3/8	XSR/DTG/C-P-0620-08
8	2	500	2-7/16	1-9/16	1/2	2-3/8	XSR/DTG/C-P-0820-08

*PL = Plain Bearing; B = Ball Bearing; P = Precision Bearing; D = Delrin Bearing

ADVANCED RUBBER / POLYPROPYLENE CORE / FLAT TREAD & ROUND TREAD

Advanced Rubber (AN) Wheels outperform Polyurethane on rough or irregular floor surfaces :

- In rollability
- In starting force to overcome obstacles
- Lower noise generated by load on cart
- Lower measured vibration of cart and load

Advanced Rubber (AN) Wheels are available with Sealed Precision Ball Bearings.

Features

- **Maneuverability & Rollability:** Lower coefficient of friction for effort less starts - make turning equipment easier to handle
- **Higher Impact Resistance:** Greatly improves load handling ease by cushioning the ride when rolling over rough or uneven floors - protects equipment from shocks.
- **Reduced Scuffing & Tracking:** Lower housekeeping costs while protecting floor appearance
- **Chemical / Solvent Resistance:** Withstands tough environments, including oil and grease, solvents, chemicals and frequent wash cycles with harsh cleaning compounds.
- **Durability:** Tread and hub materials are physically bonded into a permanent state. Special modulus tread material formulated to resist "chunking" and reject floor contaminants.
- **Versatility:** Available with roller, ball, Celon Bearing or dual sealed precision ball bearings to fit virtually all application requirements. Custom colors are also available on quantity orders. Contact the factory for details.



**FLAT TREAD
GREY
(FTG)**

**DONUT TREAD
GREY
(DTG)**



**DONUT TREAD GREY (DTG)
with Precision Bearings**

ADVANCED RUBBER / POLYPROPYLENE CORE / FLAT TREAD - AN/PB/FT

Capacity Up to 675 lbs.



Features

- **Wheel face:** Moderate Flat Tread gray (FT); Round Tread (RT)
- **Finish:** Black tread on iron core
- **Temperature Range:** -40°F up to +180°F
- **Hardness:** 65±5 Shore A

Dia. (in.)	Width (in.)	Capacity (lbs.)	Hub Length (in.)	Bore (in.)	Bearing (in.)	Wt. (lbs.)	Part Number*
3-1/2	1-1/4	250	1-5/8	1-3/16	3/8	1/2	AN/PB/FT-P-3512-06
4	1-1/4	300	1-5/8	1-3/16	3/8	5/8	AN/PB/FT-P-0412-06
4	2	350	2-1/8	1-3/16	1/2	1-1/4	AN/PB/FT-P-0420-08
5	1-1/4	325	1-5/8	1-3/16	3/8	3/4	AN/PB/FT-P-0512-06
5	2	375	2-1/8	1-3/16	1/2	1-1/4	AN/PB/FT-P-0520-08
6	2	600	2-1/8	1-3/16	1/2	1-5/8	AN/PB/FT-P-0620-08
8	2	675	2-1/8	1-3/16	1/2	2-1/4	AN/PB/FT-P-0820-08

*PL = Plain Bearing; R = Roller Bearing; P = Pedestal Bearing

Technically superior wheels meet a broad range of light, medium and heavy-duty needs. These wheels roll easy and quietly while resisting impacts and protecting floors. Wheels are non-marking.

ADVANCED RUBBER / POLYPROPYLENE CORE / ROUND TREAD - AN/PB/RT

Capacity Up to 600 lbs.



Dia. (in.)	Width (in.)	Capacity (lbs.)	Hub Length (in.)	Bore (in.)	Bearing (in.)	Wt. (lbs.)	Part Number*
4	1-1/4	250	1-5/8	1-3/16	3/8	1/2	AN/PB/RT-P-0412-06
5	1-1/4	300	1-5/8	1-3/16	3/8	5/8	AN/PB/RT-P-0512-06
6	1-1/4	325	1-5/8	1-3/16	3/8	3/4	AN/PB/RT-P-0612-06
6	2	450	2-1/8	1-3/16	1/2	1-5/8	AN/PB/RT-P-0620-08
8	2	600	2-1/8	1-3/16	1/2	2-1/4	AN/PB/RT-P-0820-08

*PL = Plain Bearing; R = Roller Bearing; P = Pedestal Bearing

PNEUMATIC WHEELS - SF

Capacity Up to 3630 lbs.

Full Pneumatic (SF) Recommended for the greatest possible protection to both loads and floors. If you transport fragile materials or parts, or if you move delicate instruments over rough floors, you should consider a pneumatic tire. Full pneumatics cushion the load on air, just like an automobile. They must be properly inflated as indicated in wheel table. Can be filled with urethane foam to make them deflation proof, but foam has no effect on capacity. Suitable for extended service.



Available in Black (SF)



Available in Gray (SF/G)

Dia. (in.)	Width (in.)	Capacity (lbs.)	Ply Rating	Hub Length	Air Pressure	Bearing (in.)	Wt. (lbs.)	Part Number
6	2	200	4	2-7/16	50 PSI	1/2	2	SF0622708
8	2	210	4	2-7/16	50 PSI	1/2	3	SF0822708
8.6	2.50/4	220	4	2-3/4	30 PSI	3/4	3	SF0840112
8.6	2.50/4	220	4	3	30 PSI	1/2	3	SF0842708
9.0	2.80/4	295	4	3-1/2	50 PSI	3/4	4-1/4	SF0850112
9.0	2.80/4	295	4	3-1/2	50 PSI	1/2	4-1/4	SF0852708
10.9	4.10/4	350	4	3-1/2	50 PSI	3/4	5-1/2	SF1060112
10.9	4.10/4	350	4	3-1/2	50 PSI	1/2	5-1/2	SF1062708
13.0	4.10/6	445	4	4-1/2	50 PSI	1	6-1/4	SF1270116
13.0	4.10/6	445	4	4-1/2	50 PSI	3/4	6-1/4	SF1272712
13.0	4.10/6	445	4	4-1/2	50 PSI	1	10-1/4	SF1270916
15.1	5.30/6	785	4	4-1/2	65 PSI	1	9	SF1480116
15.1	5.30/6	785	4	4-1/2	65 PSI	3/4	9	SF1482712
16.2	4.80/8	1300	6	6	90 PSI	1	16	SF1680916
16.3	4.80/8	1000	4	4-1/2	70 PSI	1-1/4	12	SF1680120
18.4	5.70/8	1170	4	4-1/2	60 PSI	1-1/4	15	SF1890120
19.0	5.70/8	1590	6	6-1/2	75 PSI	1	25	SF1890916
21.0	6.90/9	2420	10	7	100 PSI	1-1/4	37-1/2	SF2190920
23.5	6.50/10	2775	10	6	100 PSI	1-1/4	38	SF2390920
25.7	7.50/10	3630	10	9	95 PSI	1-1/4	40	SF2590920

01=Roller Bearing, 09=Tapered Bearing, 27=Ball Bearing, 28=Precision Bearing

Dia. (in.)	Width (in.)	Capacity (lbs.)	Hub Length	Bearing ID (in.)	Wt. (lbs.)	Ply Rating	Air Pressure	Part Number
6	2	200	2-7/16	1/2	2	4	50	SF/G0622708
6	2	200	2-7/16	1/2	2	4	50	SF/G0622808
8	2	210	2-7/16	1/2	3	4	50	SF/G0822708
8	2	210	2-7/16	1/2	3	4	50	SF/G0822808
8.6	2.50/4	220	2-3/4	3/4	3	4	30	SF/G0840112
8.6	2.50/4	220	3	1/2	3	4	30	SF/G0842708
8.6	2.50/4	220	3	1/2	3	4	4 30	SF/G0842808
9	2.80/4	295	3-1/2	3/4	4-1/4	4	50	SF/G0850112
9	2.80/4	295	3-1/2	1/2	4-1/4	4	50	SF/G0852708
9	2.80/4	295	3-1/2	1/2	4-1/4	4	50	SF/G0852808
10.9	4.10/4	350	3-1/2	3/4	5-1/2	4	50	SF/G1060112
10.9	4.10/4	350	3-1/2	1/2	5-1/2	4	50	SF/G1062708
10.9	4.10/4	350	3-1/2	1/2	5-1/2	4	50	SF/G1062808

01=Roller Bearing, 09=Tapered Bearing, 27=Ball Bearing, 28=Precision Bearing

BRASS PNEUMATIC REPLACEMENT TIRE - SF/BR



Dia. (in.)	Width (in.)	Capacity (lbs.)	Hub Length (in.)	Bore (in.)	Bearing (in.)	Wt. (lbs.)	Part Number
Black Tread							
8	2.50/4	210	2-7/16	1-3/8	1/2	3	SF/BR084270805
Gray Tread							
8	2.50/4	210	2-7/16	1-3/8	1/2	3	SF/BR084270806

PNEUMATIC HAND TRUCK WHEELS - SF/HT

Capacity Up to 350 lbs.



Dia. (in.)	Width (in.)	Capacity (lbs.)	Ply Rating	Hub Length	Air Pressure	Bearing (in.)	Wt. (lbs.)	Part Number
10.5	4.10/4	350	4	2-1/4	50	5/8	2	SF/HT1062710

Hand Truck Wheel (SO) This 4-ply rating tire with offset hub is the perfect answer for all your hand truck replacement needs.

SEMI-PNEUMATIC / HAND TRUCK WHEELS - SN/HT

Capacity Up to 540 lbs.



Dia. (in.)	Width (in.)	Capacity (lbs.)	Hub Length (in.)	Bore (in.)	Bearing (in.)	Part Number
6.2	2.00EHS	200	2-1/4	3/4	3	SN/HT0620112
6.2	2.00EHS	200	2-1/2	1/2	3	SN/HT0622708
8.6	2.50EHS	350	3	3/4	5-3/4	SN/HT0840112
8.6	2.50EHS	350	3	1/2	5-3/4	SN/HT0842708
10.0	2.75EHS	350	3-1/4	3/4	7-1/4	SN/HT1040112
10.0	2.75EHS	350	3-1/4	1/2	7-1/4	SN/HT1042708
12.1	3.00EHS	540	3-1/2	3/4	13-1/2	SN/HT1250112
12.1	3.00EHS	540	3-1/2	1/2	13-1/2	SN/HT1252708

01=Roller Bearing, 09=Tapered Bearing, 27=Ball Bearing, 28=Precision Bearing

Semi-Pneumatic (SN/HT) These shock absorbing pneumatic wheels have no inflation problems, because they are not pressurized. All bearings are pressure lubricated, except the 6" diameter wheels, which must be lubricated through the hollow axle.

PNEUMATIC WHEELS - NF/SZ

Capacity Up to 440 lbs.



Dia. (in.)	Width (in.)	Capacity (lbs.)	Hub Length (in.)	Tread Style	Bearing (in.)	Part Number
6	2	250	2-7/16	Lug	1/2	NF/SZ0622708
8	2	280	2-7/16	Lug	1/2	NF/SZ0822708
8	2	280	2-1/4 (Offset)	Lug	5/8	NF/SZ0822710H
8	2-1/2	350	3-1/2	Lug	1/2	NF/SZ0842708
8	2-1/2	350	2-1/4 (Offset)	Lug	5/8	NF/SZ0842710H
10	3-1/2	440	3-3/4	Ribbed	1/2	NF/SZ1062708
10	3-1/2	440	2-1/4 (Offset)	Ribbed	5/8	NF/SZ1062710H

01=Roller Bearing, 09=Tapered Bearing, 27=Ball Bearing, 28=Precision Bearing

The NF/SZ wheel provides you with all the benefits of pneumatic tire, without the hassle of getting a flat. These maintenance-free wheels, constructed of solid monoprene material, which rejects debris, offer the same great features of a pneumatic wheel, but will not go flat.

NEVER FLAT TIRES - NF

Capacity Up to 350 lbs.



Looks and performs similar to pneumatic wheels, but without the hassles of air pressure maintenance and flat tire repair. Also reduces maintenance time and expense. Closed cell expanded foam construction resists water absorption (unlike others currently in the marketplace)

Features

- Radial sawtooth tread for easy maneuverability and traction (radial tread on 8" model)
- Quiet, smooth operation
- Non-marking for superior floor protection
- Rolls over obstacles with ease and absorbs shock to protect cargo

Dia. (in.)	Width (in.)	Capacity (lbs.)	Hub Description	Bearing ID (in.)	Wt. (lbs.)	Part Number
8	2-1/2	300	Offset 1-Piece Hub	1/2	2-1/4	NF0852708
8	2-1/2	300	Offset 1-Piece Hub	5/8	2-1/4	NF0852710
8	2-1/2	300	Centered 1-Piece Hub	1/2	3	NF0852708C
8	2-1/2	300	Offset 3-Piece Hub	1/2	2-1/4	NF0852708T
8	2-1/2	300	Offset 3-Piece Hub	5/8	2-1/4	NF0852710T
8	2-1/2	300	Centered 3-Piece Hub	1/2	3	NF0852708CT
8	2-1/2	300	Centered 3-Piece Hub	5/8	3	NF0852710CT
8	3	300	Offset 1-Piece Hub	1/2	4	NF0852708
8	3	300	Offset 1-Piece Hub	5/8	4	NF0852710
8	3	300	Centered 1-Piece Hub	1/2	4	NF0852708C
8	3	300	Offset 3-Piece Hub	1/2	4	NF0852708T
8	3	300	Offset 3-Piece Hub	5/8	4	NF0852710T
8	3	300	Centered 3-Piece Hub	1/2	4	NF0852708CT
8	3	300	Centered 3-Piece Hub	5/8	4	NF0852710CT
10	3-1/2	350	Offset 1-Piece Hub	1/2	5	NF1062708
10	3-1/2	350	Offset 1-Piece Hub	5/8	5	NF1062710
10	3-1/2	350	Offset 3-Piece Hub	1/2	5	NF1062708T
10	3-1/2	350	Offset 3-Piece Hub	5/8	5	NF1062710T
10	3-1/2	350	Centered 1-Piece Hub	5/8	5	NF1062710C
10	3-1/2	350	Centered 3-Piece Hub	1/2	5	NF1062708CT
10	3-1/2	350	Centered 3-Piece Hub	5/8	5	NF1062710CT

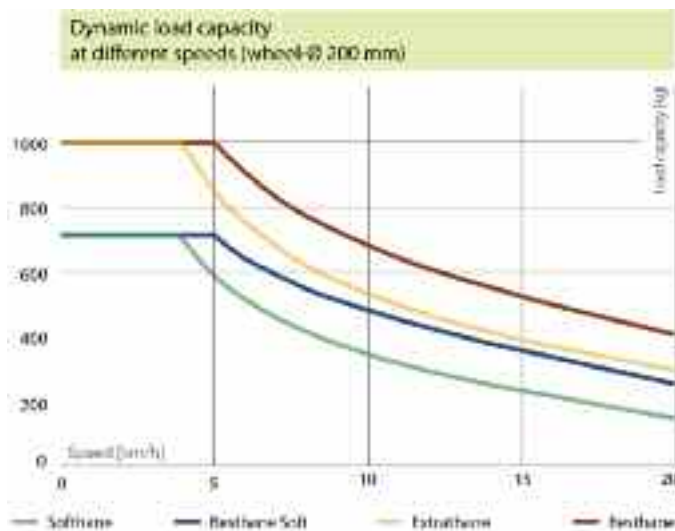
01=Roller Bearing, 09=Tapered Bearing, 27=Ball Bearing, 28=Precision Bearing

Looks and performs similar to pneumatic wheels, but without the hassles of air pressure maintenance and flat tire repair. Also reduces maintenance time and expense. Closed cell expanded foam construction resists water absorption (unlike others currently in the marketplace)

Every Detail Matters Intelligent Product and Process Development

Quality consists of two important pillars: The composition of the material and its processing. Individually developed production processes. Special care. Strict control of temperatures and times.

The perfect interaction of composition and production influences the quality of the final product and as a result the parameters tread hardness, rebound resilience, abrasion resistance, load capacity, compression set, rolling resistance, hydrolysis resistance and flexibility in cold temperatures, which are all of decisive importance for wheels with polyurethane treads. In order to have an optimum connection between the wheel center and tread which also lasts, the processing of the material as well as the treatment and the preparation of the wheel center requires accuracy and know-how. Apart from the individual characteristics of the different polyurethane types, adhesion is also a very important quality characteristic. In consequence wheels and treads are already tested extensively and adjusted optimally during the developing stage by these in order to guarantee a constant high quality level on a sustained basis.



Testing of the abrasion resistance by using material samples



Hardness: The hardness of the treads is measured according to DIN 53505, significantly influences the smooth rolling performance and the driving comfort of a vehicle. The softer and thicker the tread, the smoother a vehicle drives with less vibration. Furthermore the floor pressure is reduced by using soft treads, i.e. the punctual compression stress is reduced due to a larger contact surface resulting in greater floor protection.

Abrasion resistance: The abrasion resistance, in accordance to DIN 53516, is a preset value for a material's wear-resistance, determined in laboratory conditions. In practice, the actual wear of a wheel can deviate significantly from the theoretical values and depends strongly on the condition of the floor surface.

Rebound resilience: The rebound resilience indicates how much energy is lost through internal friction at fast spring deflections; in accordance to DIN 53512. Higher rebound resilience results in smaller losses, thereby lowering the rolling resistance of a wheel.

Compression set: The compression set indicates a measure of wheel flattening after a long service life with static loads; in accordance to DIN 53517. The higher the value, the more noticeable flattening of the wheel will occur.

Hydrolysis resistance: Many types of polyurethane are not hydrolysis resistant and are affected and damaged by water, water vapor or high humidity. To simulate different climactic conditions, these wheels are exposed to arctic temperatures as well as tropical heat in a sophisticated climactic exposure test cabinet.

Flexibility in cold temperatures: In many types of polyurethane the rigidity and the hardness increases quickly at low temperatures below -10 °C. All the elastic, spring-loaded characteristics go astray to a large extent. Polyurethanes which are flexible in cold temperatures remain elastic and flexible, even at temperatures as low as -30 °C. The hardness just increases slightly. These kinds of tests are also carried out in a climactic exposure test cabinet.

Load capacity: The load capacity of a wheel with an elastomeric tread is determined by the pressure strength of the tread material, the heating up of the tread under load and high speeds as well as by the floor conditions.

Rolling resistance: The rolling resistance is determined by the bearing, the characteristics of the tread and the floor conditions (unevenness, roughness etc...). The rolling resistance of the wheels are tested under load and measured by sensors on the high-precision these rolling resistance testing bench. The results are evaluated and compared with special on-line processing software.

Treads for Every Application

Softthane[®], Bestthane[®] Soft, Extrathane[®], Bestthane[®]

customized for various kinds of applications these has developed four types of polyurethane. Many years of research and development as well as our experience with polyurethane and wheels have made us experts for Softthane[®], Bestthane[®] Soft, Extrathane[®], Bestthane[®] treads. All treads impress with their consistent high quality and very good characteristics. Wheels with these Extrathane[®] treads are also available in antistatic. In addition, all treads can be supplied in special colors if adequate quantities are ordered.



	Norm	Softthane [®]	Bestthane [®] Soft	Extrathane [®]	Bestthane [®]	Std. Solid Elastic Rubber
Shore hardness A	DIN 53505	75°+5° Shore A	75°+5° Shore A	92°±3° Shore A	92°±3° Shore A	65°±3° Shore A
Abrasion resistance	DIN 53516	42 - 45 mm ³	42 - 45 mm ³	39 - 45 mm ³	35 - 41 mm ³	180 mm ³
Rebound resilience	DIN 53512	57%	75%	42%	65%	55%
Rolling resistance	at Ø 200 mm	0.9%	0.7%	0.9%	0.7%	1.3%
Tensile strength	DIN 53504	40 N/mm ²	43 N/mm ²	42 N/mm ²	46 N/mm ²	16 N/mm ²
Breaking elongation	DIN 53504	520%	600%	510%	625%	380%
Compression set	DIN 53517	15%	11%	16%	12%	10 %
Hydrolysis resistance		--	Y	--	Y	Y
Flexibility in cold temperatures		--	Y	--	Y	--
Resistance to chemical substances, UV and radiation		++	++	++	++	-
Dynamic load capacity		+	+	+	++	+
Cut and tear resistance		++	++	++	++	--
Suitable for high speeds		+	++	+	++	+
Driving comfort		++	++	+	+	++

Y = yes

++ = very good

+ = good

- = partly

-- = no

EURO WHEELS	PAGE #
Solid Steel	95-97
Cast Iron.....	98-99
Nylacron™	100-101
Nylon	102-105
Premium Urethane	106-110
Guide Wheels	111-112
Rubber	113-116

Visit our Web site for new products
www.acornindprod.com



**EXTRA HEAVY
DUTY SOLID STEEL
(STL)**



**SOLID STEEL / V-GROOVE
(STL/VG)**



**HEAVY DUTY CAST IRON
(CA)**



**CAST IRON / FLANGED
(CA/FL)**



**NYLACRON™ WHEELS
(NY/MC) (NY/MC/FL)**



**HEAVY DUTY NYLON
(NN/HD)**



**POLYURETHANE / NYLON CORE
(PY/NN)**



**NOISE ABSORBING NYLON
(NA/NN)**



**PREMIUM URETHANE WHEELS
(UB/CA) (UBS/AL) (UX/STL)
(UX/AL) (UXS/AL)**



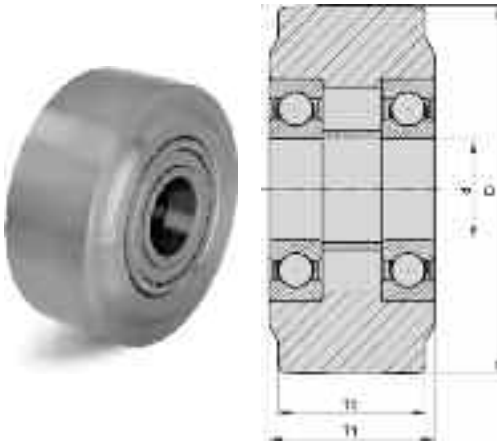
**PREMIUM URETHANE
GUIDE WHEELS
(CGW/UX)**



**RUBBER WHEELS
(ER/STL) (ER/NN) (ER/AL)**

EXTRA HEAVY DUTY SOLID STEEL - STL

Capacity Up to 22,000 lbs



The **STL Series** covers extra heavy duty wheels made of special steel which meet highest load demands even in small sizes. The tread is slightly spherical. These wheels are oil-resistant, maintenance-free, highly abrasion-resistant and insensitive to metal swarf. The surface is lightly oiled. When used as end wheels ensure the load rating of the axles is also adequate.

WHEEL SPECIFICATIONS

Dia. (mm)	Width (mm)	Capacity (lbs)	Bearing Type	Axle Bore (mm)	Hub Length (mm)	Part Number*
80	40	2420	P	20	45	STL-P-80/40/20
100	40	3740	P	25	45	STL-P-100/40/25
125	55	6050	P	30	60	STL-P-125/55/30
150	55	8800	P	45	60	STL-P-150/55/45
200	55	13200	P	50	60	STL-P-200/55/50
200	80	15400	P	60	90	STL-P-200/80/60
250	65	22000	P	70	75	STL-P-250/55/70

** R= Roller bearing, P= Precision Bearing, PL = Plain bushing

Solid-steel wheels are made of tempered steel especially suitable for steel wheels. This material is characterized by a very high pressure and wear resistance with extremely high static and dynamic load capacities. The stability and the hardness remain almost constant over a wide temperature range. Due to the ball bearings, the temperature application range is limited to -40° C to +140° C. When combined with a steel surface, the lowest starting and rolling resistance values of all wheel types are attained. The high floor pressure should be considered.



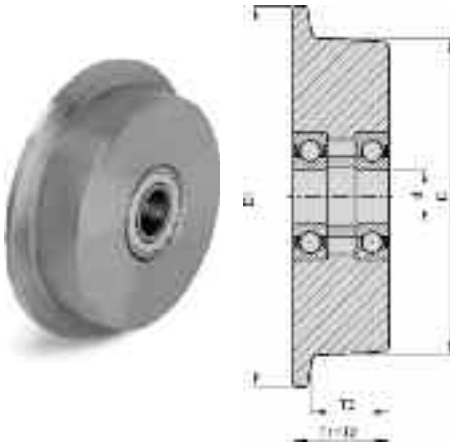
Wheel Options

- **PR** Spherical roller bearing for applications requiring running capacities >4,000 km
- **OD** Other dimensions

*Add wheel option to wheel part number.

SOLID STEEL / FLANGED - STL/FL

Capacity Up to 15,400 lbs



Wheel Options

- **SP/AB** Special wheel bore

WHEEL SPECIFICATIONS

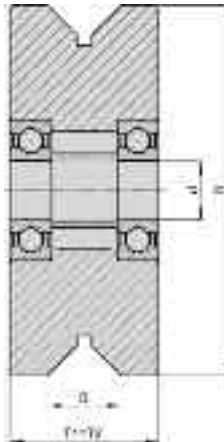
Whl. w/o Flange (D)	Whl. w/ Flange (D1)	Width incl. Flange (T2)	Tread w/o Flange (T3)	Load Cap. (lbs)	Brg. Type *	Axle Bore	Hub Length	Part Number
50	62	40	30	1100	P	15	40	STL/FL-P-50/30/15
75	100	40	30	1760	P	20	40	STL/FL-P-75/30/20
100	125	50	40	2640	P	25	50	STL/FL-P-100/40/25
125	150	50	40	3300	P	25	50	STL/FL-P-125/40/25
150	180	60	48	4400	P	30	60	STL/FL-P-150/48/30
200	240	60	48	5500	P	35	60	STL/FL-P-200/48/35
250	290	75	60	8800	P	45	75	STL/FL-P-250/60/45
300	345	90	72	15400	P	60	90	STL/FL-P-300/72/90

The **STL/FL Series** covers flanged wheels made of special **Solid Steel** which meet highest load demands even in small sizes. These wheels are oil-resistant, maintenance-free, highly abrasion-resistant, and insensitive to metal swarf. The flange and tread are machined, tread ascent to the axle is approximately 3°.

The surface of these wheels is lightly oiled. When used as end wheels, ensure the load rating of the axles is also adequate. This wheel is made of special steel, tread ascent to axle 3°, with extremely high load capacity, very high abrasion resistance, very low rolling resistance, ball bearing.

SOLID STEEL / V-GROOVE - STL/VG

Capacity Up to 2640 lbs



WHEEL SPECIFICATIONS

Wheel (D) (mm)	Whl. Width (T2) (mm)	Recess Width (B) (mm)	Load Capacity (lbs)	Bearing Type **	Axle Bore (mm)	Hub Length (mm)	Wheel Part Number*
100	24	18	660	P	15	24	STL/VG-P-100/24/15
100	40	20	1320	P	15	40	STL/VG-P-100/40/15
120	33	25	1320	P	20	33	STL/VG-P-120/33/25
125	50	25	2640	P	20	50	STL/VG-P-125/50/25
150	33	25	1760	P	20	33	STL/VG-P-150/33/25
200	33	25	2200	P	20	33	STL/VG-P-200/33/25

** R= Roller bearing, P= Precision Bearing, PL = Plain bushing

**V-Groove WHEELS ARE AVAILABLE IN NYLACRON™ MD MATERIAL- Change STL/VG TO NY/VG

**V-Groove WHEELS ARE AVAILABLE IN NYLACRON™ MC MATERIAL- Change STL/VG TO MC/VG



Wheel Options

- **STL/DF** Double-flanged wheels available

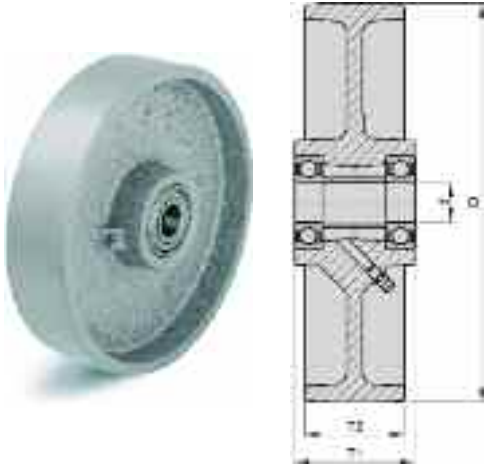
The **STL/VG Series** covers double-flanged wheels made of special **Solid Steel** which meet highest load demands even in small sizes. These wheels are oil-resistant, maintenance-free, highly abrasion-resistant and insensitive to metal swarf. The flanges and the V-shaped tread (for angular steel) are machined and deburred.

The surface of these wheels is lightly oiled. When used as end wheels ensure the load rating of the axles is also adequate.

The following bearing version is available as standard: Ball bearing.

HEAVY DUTY CAST IRON - CA

Capacity Up to 3080 lbs



WHEEL SPECIFICATIONS

Dia. (mm)	Width (mm)	Capacity (lbs)	Bearing Type	Axle Bore (mm)	Hub Length (mm)	Part Number*
80	25	440	R	12	35	CA-P-80/25/12
100	35	550	R	15	45	CA-P-100/35/15
125	35	990	R	15	45	CA-P-125/35/15
125	50	1650	P	20	60	CA-P-125/50/20
150	50	1980	P	20	60	CA-P-150/50/20
200	50	2420	P	20	60	CA-P-200/50/20
250	60	3080	P	25	70	CA-P-250/50/25

*R = Roller bearing, P = Precision Ball bearing, PL = Plain bushing

The **CA Series** covers wheels made of **Grey Cast Iron**. The tread is machined and the hub is fitted with a grease nipple. If wheels with plain bearings are used, sufficient and regular lubrication must be ensured.

Very high temperature resistance:

- Roller and standard ball bearing: -40° C to +140° C without load capacity reduction.
- Heat-resistant ball bearing (**IK**): -50°C to +300°C at a load capacity reduction of 50 % at +300°C.
- Plain bearing: -100°C to +600°C at a load capacity reduction of 40 % at +600°C.

With high temperatures, regular lubrication with high temperature grease is required. The lacquer coating of the wheels provides protection against environmental influences, color silver. When used as end wheels ensure the load rating of the axles is also adequate. The following bearing versions are available as standard: Plain bearing, roller bearing, ball bearing.

Grey cast iron is a cast iron with lamellar graphite in acc. with DIN 1691. This material is characterized by a high pressure and wear resistance with very high load capacity. The tensile strength and the hardness remain almost constant over a wide temperature range (-100° C to +300° C).

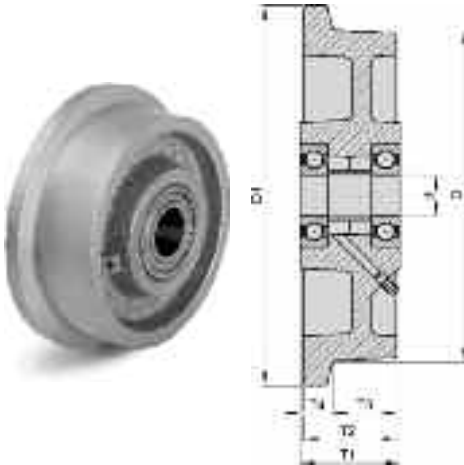
Operating temperature: -100° C to +600° C. The graphite embedded in the cast ensures some rotation for plain bearing even without grease and reduces corrosion. Grey cast iron is oil-resistant, highly abrasion-resistant and insensitive to metal swarf. The relatively high floor pressure should be considered for pressure-sensitive floors.

WHEEL OPTIONS*

- HT** High Temp Versions -100° C to +600° C
- IK** Heat-resistant ball bearing

CAST IRON / FLANGED - CA/FL

Capacity Up to 7700 lbs



The **CA/FL Series** is made of **Grey Cast Iron**, very rugged, machined flange and tread, tread ascent to axle 3°, high abrasion resistance, low rolling resistance, insensitive to metal swarf, grease nipple (wheel Ø 125-250 mm), plain or ball bearing, temperature range from -40°C to +140°C. Lacquered - color silver. Plain bearing versions must be regularly lubricated.

For application in extreme temperature ranges:

- **Plain bearing version:** -100°C to +600°C, load capacity reduction of 40 % at +600°C, lubrication with high temp. grease
- **Heat-resistant ball bearing version (oven bearing):** -50°C to +300°C, load capacity reduction of 50 % at +300°C.

WHEEL SPECIFICATIONS

Whl. w/o Flange (D)	Whl. w/ Flange (D2)	Width incl. Flange (T2)	Tread w/o Flange (T3)	Flange Length (T4)	Load Cap. (lbs)	Brg. Type **	Axle Bore	Hub Length	Part Number*
75	100	40	30	13.5	1540	P	20	47	CA/FL-P-75/30/20
100	125	46	36	13	1760	P	20	52	CA/FL-P-100/36/20
125	145	46	36	13	1980	P	20	52	CA/FL-P-125/36/20
150	175	46	36	13	2200	P	20	52	CA/FL-P-150/36/20
180	210	46	36	13	2640	P	20	52	CA/FL-P-180/36/20
200	230	56	38	20	3300	P	25	60	CA/FL-P-200/38/25
200	230	80	60	25	6600	P	40	90	CA/FL-P-200/60/40
250	300	65	50	17.5	5500	P	30	70	CA/FL-P-250/50/30
250	300	80	60	25	7700	P	40	90	CA/FL-P-250/60/40

** R= Roller bearing, P= Precision Bearing, PL = Plain bushing

This series covers flanged wheels made of special steel (refer to the material description on page 49) which meet highest load demands even in small sizes. These wheels are oil-resistant, maintenance-free, highly abrasion-resistant, and insensitive to metal swarf. The flange and tread are machined, tread ascent to the axle is approx. 3°.

The surface of these wheels is lightly oiled. When used as end wheels, ensure the load rating of the axles is also adequate.

The following bearing version is available as standard: Ball bearing.

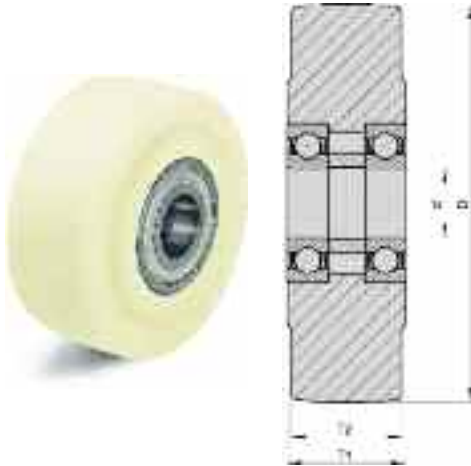


Wheel Options

- IK Heat-resistant ball bearing
- *Add wheel option to wheel part number.

NYLACRON™ MONOCAST - NY/MC

Capacity Up to 28,400 lbs



The **NY/MC Series** covers extra heavy duty nylon wheels made of hard and tough, highly compressed cast nylon. They have a very low rolling resistance and an excellent resistance to many aggressive substances. They are maintenance-free under normal operating conditions. These wheels are available in natural beige. When used as end wheels ensure the load rating of the axles is also adequate.

Cast nylon is a high-molecular thermoplastic material produced by an activated anionic polymerisation of lactam. Cast nylon is a strong homogenous material which is stress-free and has a high degree of crystallization. In the depreasurized casting process, the melted monomer is poured into forming tools and polymerized into a wheel center by controlled chemical reactions. Compared to injection-molded nylon wheels, the monomer casting process considerably increases the load capacity of wheels manufactured in accordance with this process.

WHEEL SPECIFICATIONS

Dia. (mm)	Width (mm)	Capacity (lbs)	Bearing Type	Axle Bore (mm)	Hub Length (mm)	Part Number
80	40	2200	P	20	45	NY/MC-P-080/40/20
100	40	2750	P	20	45	NY/MC-P-100/40/20
100	55	3300	P	25	60	NY/MC-P-100/55/25
125	55	4400	P	25	60	NY/MC-P-125/55/25
150	55	5500	P	30	60	NY/MC-P-150/55/30
150	80	6600	P	35	90	NY/MC-P-150/80/35
200	55	6600	P	35	60	NY/MC-P-200/55/35
200	80	9900	P	45	90	NY/MC-P-200/80/45
250	65	11000	P	45	70	NY/MC-P-250/65/45
250	80	13200	P	50	90	NY/MC-P-250/80/50
300	80	15400	P	55	90	NY/MC-P-300/80/55
300	110	22000	P	70	120	NY/MC-P-300/110/70
400	110	28400	P	80	120	NY/MC-P-400/110/80

*R = Roller bearing, P = Precision Ball bearing, PL = Plain bushing

This material shows better properties than injection-molded nylon 6 particularly with regard to:

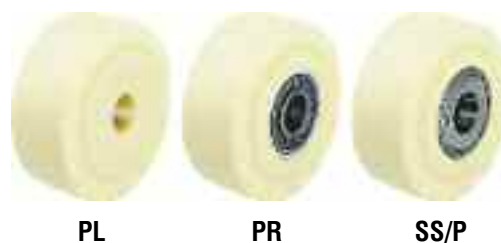
- Load capacity
- Modulus of elasticity
- Flow properties
- Tension and pressure strength
- Thermoform stability
- Humidity absorption

Operating temperature: -30° C to +80° C. Temporarily, higher temperatures are also permissible. Note, the indicated load capacities decrease if the ambient temperature exceeds +35°C. All further technical and material characteristics correspond to the high-quality nylon 6.

Wheel Options

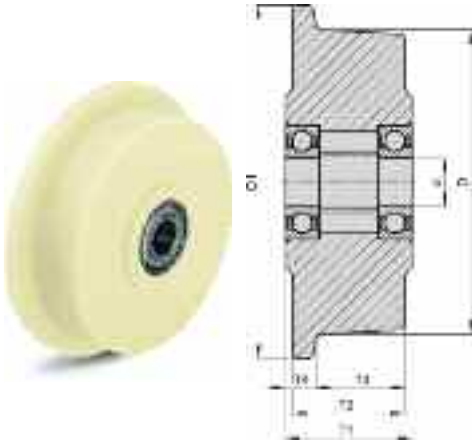
- **PL** Plain bearing for static loads or very low speeds.
- **PR** Spherical roller bearing (for applications requiring extremely high running capacities (>4,000 km).
- **SS/P** Stainless Steel Precision Ball bearing

*Add wheel option to wheel part number.



NYLACRON™ MONOCAST / FLANGED - MC/FL

Capacity Up to 1980 lbs



The **MC/FL Series** is made of hard and tough, highly compressed **Cast Nylon**, tread ascent to axle 3°, high load capacity, low-noise operation, high abrasion resistance, low rolling resistance, shock and impact-resistant, corrosion-resistant, high chemical resistance to alcohol, salts, greases and certain acids and lyes in diluted concentration, sealed precision ball bearing, color natural beige.

WHEEL SPECIFICATIONS

Whl. w/o Flange (D1)	Whl. w/ Flange (D2)	Width incl. Flange (T2)	Tread w/o Flange (T3)	Flange Length (T4)	Load Cap. (lbs)	Axle Bore	Hub Length	Part Number
50	62	32	26	6	485	15	32	NY/MC/FL-P-50/26/15
75	100	40	30	13,5	835	20	47	NY/MC/FL-P-75/30/20
100	125	46	36	13	1320	20	52	NY/MC/FL-P-100/36/20
125	145	46	36	13	1650	20	52	NY/MC/FL-P-125/36/20
150	175	46	36	13	1980	20	52	NY/MC/FL-P-150/36/20

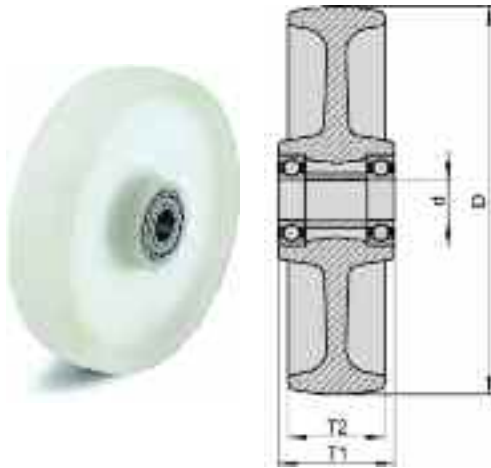
** R= Roller bearing, P= Precision Bearing, PL = Plain bushing

** FLANGED WHEELS ARE AVAILABLE IN NYLACRON™ MD MATERIAL- Change MC/FL TO MD/MD

This series series covers flanged wheels made of hard and tough, highly compressed cast nylon. These wheels have a very low rolling resistance, are vibration and noise absorbing, show a high resistance to many aggressive substances and are maintenance-free under normal operating conditions. The flange and tread are machined, tread ascent to the axle is approx. 3°. These wheels are available in natural beige. When used as end wheels ensure the load rating of the axles is also adequate.

MEDIUM HEAVY DUTY NYLON - NN/MHD

Capacity	Up to 3300 lbs
-----------------	-----------------------



WHEEL SPECIFICATIONS NN/MHD

Dia. D (mm)	Width T2 (mm)	Capacity (lbs)	Bearing Type	Axle Bore d (mm)	Hub Length T1 (mm)	Part Number*
150	50	880	Precision Ball	20	60	NN/MHD-P-150/20G
160	50	990	Precision Ball	20	60	NN/MHD-P-160/20K
175	50	1100	Precision Ball	20	60	NN/MHD-P-175/20K
200	50	1320	Precision Ball	20	60	NN/MHD-P-200/20K
250	50	2200	Precision Ball	25	65	NN/MHD-P-250/25K
300	55	3300	Precision Ball	30	65	NN/MHD-P-300/30K

** R= Roller bearing, P= Precision ball bearing, PL = Plain bushing

The **Medium Heavy Duty NN/MHD Wheel** series covers injection-molded heavy duty nylon wheels. They have a very low rolling resistance, show a high resistance to many aggressive substances and are maintenance-free under normal operating conditions. Wheels with ball bearings are lubricated with long-life grease. These wheels are available in natural white. When used as end wheels ensure the load rating of the axles is also adequate.

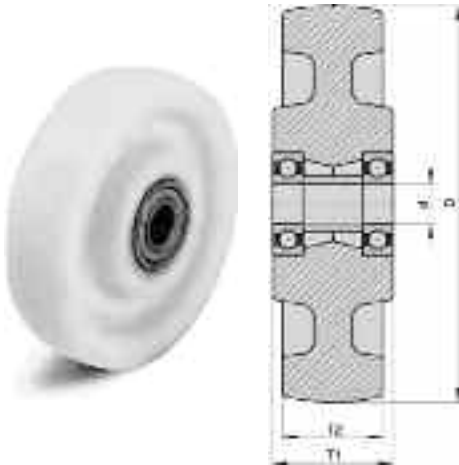
Wheel Options

- **XK** Stainless steel ball bearing
- **NI** Grease nipple

*Add wheel option to wheel part number.

HEAVY DUTY NYLON - NN/HD

Capacity Up to 4400 lbs



WHEEL SPECIFICATIONS

Dia. D (mm)	Width T2 (mm)	Capacity (lbs)	Bearing Type	Axle Bore d (mm)	Hub Length T1 (mm)	Part Number*
75	32	660	P	15	35	NN/HD-P-75/32/15
100	37	1100	P	15	45	NN/HD-P-100/37/15
125	40	1540	P	15	45	NN/HD-P-125/40/15
125	40	1540	P	20	45	NN/HD-P-125/40/20
125	50	1650	P	20	60	NN/HD-P-125/50/20
150	50	1760	P	20	60	NN/HD-P-150/50/20
150	50	1760	P	25	60	NN/HD-P-150/50/25
175	50	2200	P	20	60	NN/HD-P-175/50/20
175	50	2200	P	25	60	NN/HD-P-175/50/25
200	50	3300	P	20	60	NN/HD-P-200/50/20
200	50	3300	P	25	60	NN/HD-P-200/50/25
200	50	3300	P	30	60	NN/HD-P-200/50/30
250	65	4400	P	25	65	NN/HD-P-250/65/25
250	65	4400	P	30	65	NN/HD-P-250/65/30
250	65	4400	P	35	65	NN/HD-P-250/65/35

*R = Roller bearing, P = Precision Ball bearing, PL = Plain bushing

The **NN Series** covers injection-molded heavy duty **Nylon Wheels**. They have a very low rolling resistance, show a high resistance to many aggressive substances and are maintenance-free under normal operating conditions. Wheels with ball bearings are lubricated with long-life grease. These wheels are available in natural white. When used as end wheels ensure the load rating of the axles is also adequate.

Wheel Material (Nylon 6)

- Hard, tough and provides the wheels with a sound damping capacity.
- Shock-resistant even at low temperatures.
- Mechanical and abrasion resistance are outstanding.
- Fracture-resistant, maintenance-free, floor-saving.
- Shock and noise-absorbing and have a long service life.
- Tasteless, odorless and hygienic.
- Resistant to lubricants, fuels, hydraulic and cooling liquids, refrigerants, paints, lacquers, cleaning agents and numerous other solvents, aqueous solutions of numerous inorganic chemicals (salts, alkalines).

Note, Nylon 6 is not resistant to: mineral acids, even in low concentrations, certain oxidants and chlorinated hydrocarbons, especially at high temperatures. Nylon 6 is susceptible to certain heavy metal saline solutions, e.g. zinc chloride solution.

Operating temperature: -40° C to +80° C. Temporarily, higher temperatures are also permissible. Note, the indicated load capacities decrease if the ambient temperature exceeds +35° C. Like other plastic materials, nylon 6 absorbs and emits humidity. The material aims at attaining a balance with the ambient environment. Under normal climate conditions (65 % relative humidity at +20° C), no dimension variations are to be expected. These variations depend on the humidity and temperature of the environment. Under extreme operating conditions, for example in wet conditions, these variations should be considered in the design (e.g. a larger diameter of the hub bore).



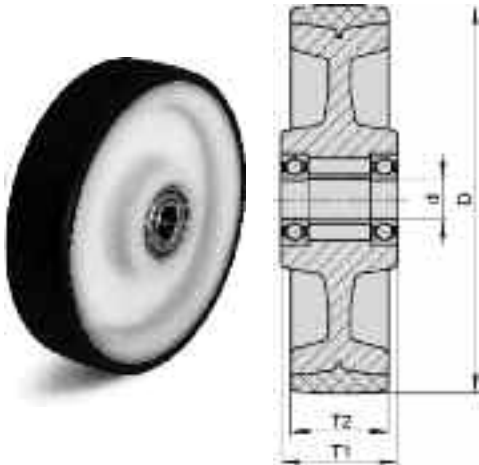
Wheel Options

- **SS/P** Stainless steel ball bearing
- **NI** Grease nipple

*Add wheel option to wheel part number.

POLYURETHANE / NYLON CORE - PY/NN

Capacity Up to 1540 lbs



The **UR/NN Series** covers wheels with a thermoplastic, injection-molded, brown polyurethane tread which is molded and mechanically locked to a heavy high-quality nylon 6 wheel center in natural white (refer to the material description on page 47). The wheels are highly resistant to many aggressive substances. They are maintenance-free under normal operating conditions. Wheels with roller or ball bearings are lubricated with long-life grease. The polyurethane treads of this series are made of a thermoplastic processed polyurethane-elastomer (TPU).

WHEEL SPECIFICATIONS

Dia. (mm)	Width (mm)	Capacity (lb)	Bearing Type	Axle Bore d (mm)	Hub Length T1 (mm)	Part Number*
75	37	360	R	15	45	PY/NN-R-75/37/15
100	35	440	P	10	46	PY/NN-P-100/35/10
125	35	550	P	10	46	PY/NN-P-125/250/10
125	35	550	P	15	45	PY/NN-P-125/250/15
150	40	880	P	20	60	PY/NN-P-150/40/20
200	50	1540	P	20	60	PY/NN-P-200/50/20
200	50	1540	P	25	60	PY/NN-P-200/50/25

*R = Roller bearing, P = Precision Ball bearing, PL = Plain bushing

This material is characterized by a high load capacity and excellent resilience, as well as a high-abrasion and a low rolling resistance. Wheels with polyurethane tread offer floor-saving characteristics, low-noise rolling performance as well as shock and impact absorption. They are non-staining and non-marking. These polyurethane treads are resistant to mineral greases and oils, various weak acids and lyes as well as nonalcoholic petrols. They are, however, only conditionally resistant to hot water and water vapor. Operating temperature -30° C to +70° C temporarily up to +90° C. Load capacity values stated in the tables are reduced at ambient temperatures exceeding +35° C. The hardness of this polyurethane tread is 98° shore A.



Wheel Options

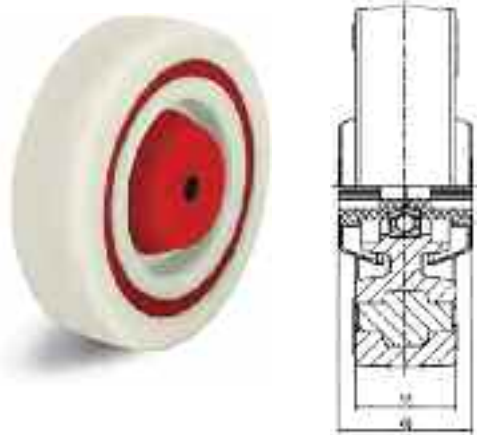
- **WE** Softer tread (The hardness of this tread is 92°±2° shore A, color grey, non-marking)
- **XR** Stainless steel roller bearing
- **XK** Stainless steel ball bearing

*Add wheel option to wheel part number.

Available with Stainless Steel Ball Bearings

NOISE ABSORBING NYLON - NA/NN

Capacity Up to 485 lbs



WHEEL SPECIFICATIONS

Dia. (mm)	Width (mm)	Capacity (lbs)	Precision Bearing	Axle Bore (mm)	Hub Length (mm)	Part Number*
100	35	440	P	8	46	NA/NN-P-100/35/8
100	35	440	P	10	46	NA/NN-P-100/35/10
125	35	485	P	8	46	NA/NN-P-125/35/8
125	35	485	P	10	46	NA/NN-P-125/25/10

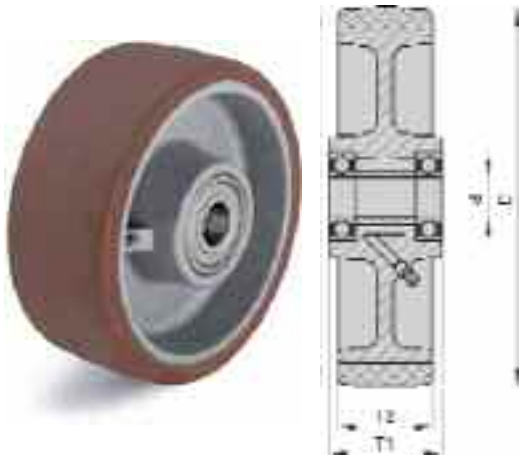
* R = Roller bearing, P = Precision Ball bearing, PL = Plain bushing

Treads: Made of high-quality nylon, color natural white, noise-absorbing (-10 decibel) achieved with elastic solid rubber inner cushion ring layer, color grey, vibration-cushioned operational comfort, high abrasion resistance, low rolling resistance, smooth running performance on even floors, shock and impact-resistant, corrosion-resistant.

Wheel Centers: Made of high-quality nylon, color black, shock and impact-resistant, corrosion-resistant, roller or ball bearing.

BESTHANE® / CAST IRON CORE - UB/CA

Capacity Up to 8800 lbs



Heavy duty wheels with a **Besthane®** tread firmly bonded onto a rugged grey **Cast Iron** wheel center, with grease nipple (for wheel-Ø 150 mm or larger). The lacquer coating of the wheel center provides protection against environmental influences, color silver. When used as end wheels ensure the load rating of the axles is also adequate.

Especially suitable for high-quality treads:

High dynamical load capacity, therefore suitable for high speeds. High resilience and rigidity resulting in a high load capacity, high rebound resilience, i.e. only insignificant permanent deformation at high downtime. Very high abrasion, cut, tear and tear propagation resistance. Negligible heating under dynamic load.

Tread: The tread is hydrolysis resistant and flexible in cold temperatures. The Besthane® tread is characterized by its floor-saving, non-marking, and non-staining qualities, its low-noise rolling performance, shock and vibration absorption and very low rolling resistance.

WHEEL SPECIFICATIONS

Dia. (mm)	Width (mm)	Capacity (lbs)	Bearing Type	Axle Bore (mm)	Hub Length (mm)	Part Number*
100	40	770	P	15	40	UB/CA-P-100/40/15
125	40	990	P	15	45	UB/CA-P-125/40/15
125	50	1210	P	20	60	UB/CA-P-126/50/20
150	50	1540	P	20	60	UB/CA-P-150/50/20
160	50	1650	P	20	60	UB/CA-P-160/50/20
200	50	2200	P	20	60	UB/CA-P-200/50/20
200	50	3080	P	25	60	UB/CA-P-201/50/25
200	80	3080	P	25	90	UB/CA-P-200/80/25
200	80	3080	P	30	90	UB/CA-P-201/20/30
200	80	3080	P	35	90	UB/CA-P-202/40/35
250	60	2970	P	20	70	UB/CA-P-250/60/20
250	60	2970	P	30	70	UB/CA-P-251/60/30
250	60	2970	P	35	70	UB/CA-P-252/60/35
250	80	3960	P	25	90	UB/CA-P-250/80/25
250	80	3960	P	30	90	UB/CA-P-251/80/30
300	80	4400	P	30	90	UB/CA-P-300/80/30
300	80	4400	P	35	90	UB/CA-P-300/80/35
300	100	5500	P	35	120	UB/CA-P-300/100/35
400	125	8800	P	35	125	UB/CA-P-400/125/35

* R = Roller bearing, P = Precision Ball bearing, PL = Plain bushing

Operating temperature: -30° C to +70° C, temporarily up to +90° C (measured at the tread). With decreasing temperature (below -25° C), the rigidity slightly increases. High resistance to mineral greases and oils, petrols and paraffin solvents, UV and radiation as well as to weak acids. Conditional resistance to strong acids and lyes.

Hardness: 92°±3° shore A.

For special applications, treads with other shore ratings are available. Consult Acorn™.

	DIN Standard	Extrathane®	Besthane®
Shore hardness A	DIN 53505	92°± 3° Shore A	92°± 3° Shore A
Abrasion resistance	DIN 53516	39-45 mm ³	39-41 mm ³
Rebound resilience	DIN 53512	42%	65%
Rolling resistance	at Ø 200 mm	.9%	.7%
Tensile strength	DIN 53504	42 N/mm ²	46 N/mm ²
Breaking elongation	DIN 53504	510%	625%
Compression set	DIN 53517	16%	12%
Hydrolysis resistance		No	Yes
Flexibility in cold temp.		No	Yes

BESTHANE® SOFT / ALUMINUM CORE - UBS/AL

Capacity Up to 1760 lbs.



WHEEL SPECIFICATIONS

Dia. (mm)	Width (mm)	Capacity (lbs)	Precision Bearing	Axle Bore (mm)	Hub Length (mm)	Part Number*
100	40	660	P	15	40	UBS/AL-P-100/40/15
125	40	770	P	15	45	UBS/AL-P-125/40/15
160	50	1210	P	20	60	UBS/AL-P-160/50/20
200	50	1540	P	20	60	UBS/AL-P-200/50/20
250	50	1760	P	20	60	UBS/AL-P-250/50/20
250	50	1760	P	25	60	UBS/AL-P-125/50/25

* R = Roller bearing, P = Precision Ball bearing, PL = Plain bushing

Besthane® Soft tread firmly bonded onto an **aluminum die-cast** wheel center. Very high operating comfort due to especially thick and spherical tread.

The Besthane® Soft tread of this series consists of a reaction injected polyurethane elastomer. Besthane® Soft is a polyurethane on the basis of polyether polyol, diisocyanate and diol.

Due to the following characteristics, Besthane® Soft is especially suitable for high-quality treads: High dynamical load capacity, therefore suitable for high speeds. High rebound resilience, i.e. only insignificant permanent deformation at high downtime.

Very high abrasion, cut, tear and tear propagation resistance. Negligible heating under dynamic load. The tread is hydrolysis resistant and flexible in cold temperatures.

The Besthane® Soft tread is especially characterized by its floor

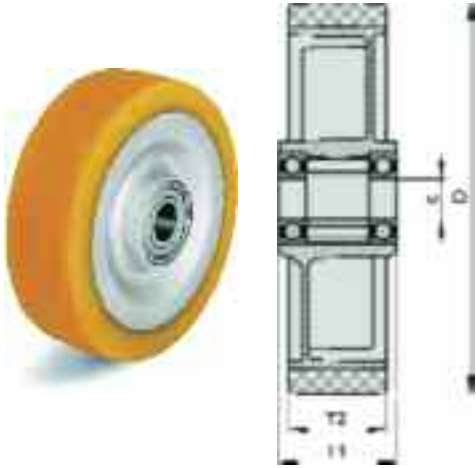
saving, non-marking, and non-staining qualities, its low-noise rolling performance, shock and vibration absorption, extremely low rolling resistance and excellent operating comfort.

Operating temperature: -30° C to +70° C, temporarily up to +90° C (measured at the tread). With decreasing temperature (below -25° C), the rigidity slightly increases. High resistance to mineral greases and oils, petrols and paraffin solvents, UV and radiation as well as to weak acids. Conditional resistance to strong acids and lyes. The Besthane® Soft tread has a standard hardness of 75°+5° shore A.

	DIN Standard	Extrathane®	Besthane®
Shore hardness A	DIN 53505	75°± 5° Shore A	75°± 5° Shore A
Abrasion resistance	DIN 53516	42-45 mm ³	42-45 mm ³
Rebound resilience	DIN 53512	57%	75%
Rolling resistance	at Ø 200 mm	.9%	.7%
Tensile strength	DIN 53504	40 N/mm ²	43 N/mm ²
Breaking elongation	DIN 53504	520%	600%
Compression set	DIN 53517	15%	11%
Hydrolysis resistance		No	Yes
Flexibility in cold temp.		No	Yes

EXTRATHANE® / STEEL CORE - UX/STL

Capacity Up to 2970 lbs



WHEEL SPECIFICATIONS

Dia. (mm)	Width (mm)	Capacity (lbs)	Bearing Type	Axle Bore (mm)	Hub Length (mm)	Part Number*
125	50	1100	P	20	60	UX/STL-P-125/50/20
150	50	1430	P	20	60	UX/STL-P-150/50/20
150	50	1430	P	25	60	UX/STL-P-125/50/25
160	50	1540	P	20	60	UX/STL-P-160/50/20
160	50	1540	P	25	60	UX/STL-P-160/50/25
200	50	2200	P	20	60	UX/STL-P-200/50/20
200	50	2200	P	25	60	UX/STL-P-200/50/25
250	60	2970	P	25	70	UX/STL-P-250/60/25

*R = Roller bearing, P = Precision Ball bearing, PL = Plain bushing

The **UX/STL Series** covers heavy duty wheels with Extrathane® tread firmly bonded onto a thick-wall pressed steel triple-welded wheel center with tubular steel hub. Due to the special shape of the pressed steel wheel center, these wheels are resistant to dirt, shocks and impacts. They are characterized by a smooth and elegant design. The lacquer coating of the wheel centers provides protection against environmental influences, color silver. When used as end wheels ensure the load rating of the axles is also adequate.



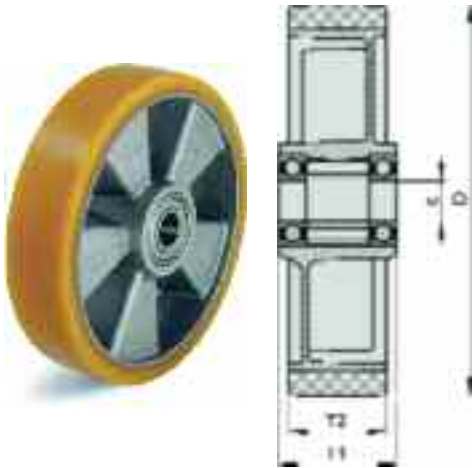
Wheel Options

- NI Grease nipple

*Add wheel option to wheel part number.

EXTRATHANE®/ ALUMINUM CORE - UX/AL

Capacity Up to 2200 lbs



WHEEL SPECIFICATIONS

Dia. (mm)	Width (mm)	Capacity (lbs)	Bearing Type	Axle Bore (mm)	Hub Length (mm)	Part Number*
80	30	400	P	15	35	UX/AL-P-080/30/15
100	40	550	P	15	45	UX/AL-P-100/40/15
100	40	770	P	15	40	UX/AL-P-100/40/15
125	40	770	P	15	45	UX/AL-P-125/40/15
125	54	990	P	20	60	UX/AL-P-125/54/20
140	54	1100	P	20	60	UX/AL-P-140/54/20
150	50	1100	P	20	60	UX/AL-P-150/50/20
160	50	1210	P	20	60	UX/AL-P-160/50/20
180	50	1320	P	20	60	UX/AL-P-180/50/20
200	50	1760	P	20	60	UX/AL-P-200/50/20
200	50	1760	P	25	60	UX/AL-P-200/50/25
250	60	2200	P	25	70	UX/AL-P-250/50/25

*R = Roller bearing, P = Precision Ball bearing, PL = Plain bushing

^ = Heavy Design

The **UX/AL Series** covers heavy duty wheels with a Extrathane® tread firmly bonded onto an aluminum die-cast wheel center. The following bearing version is available as a standard: Ball bearing. In addition to the standard version, the following is available: • Anti-static, non-marking grey design (Ref. No. extension: -AS): Leak resistance #107 S, in acc. with DIN EN 12526, non-staining.

The Extrathane® tread of this series consists of a reaction-injected polyurethane elastomer. Extrathane® is a polyurethane on the basis of polyester polyhydric, diisocyanate and glycol. Due to the following characteristics, Extrathane® is especially suitable for high quality treads: High resilience and rigidity resulting in a high load capacity, high rebound resilience, i.e. only insignificant permanent deformation over long endurance times. Very high abrasion, cut, tear and tear propagation resistance. Negligible heating under dynamic load.

The Extrathane® tread is characterized by its floor-saving, non-marking and non-staining qualities, its low-noise rolling performance,

shock and vibration absorption and low rolling resistance.

Operating temperature: -20° C to +70° C temporarily up to +90° C (measured at the tread). With decreasing temperature (below -10° C), the rigidity slightly increases. High resistance to mineral greases and oils, petrols and paraffin solvents, UV and radiation as well as to weak acids. Conditional resistance to strong acids and lyes. Extrathane® is not resistant to hot water, saturated steam, hot, humid air and aromatic solvents. Extrathane® tread has a standard hardness of 92°±3° shore A. For special applications, treads with other shore ratings or with BAYER® VULKOLLAN® are available.



Wheel Options

• **AS** Anti-static, Non-marking Gray tread

*Add wheel option to wheel part number.

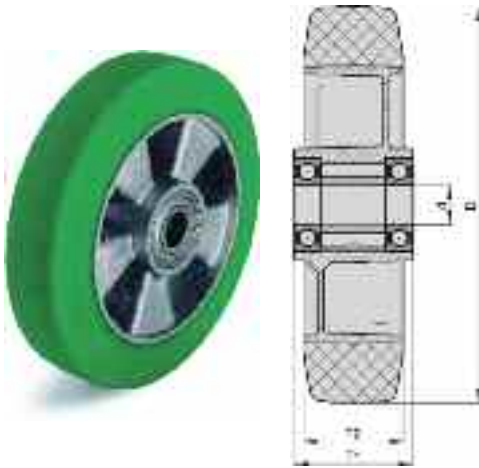
WHEEL OPTIONS

SG Non-marking gray tyre

AS Anti-static

EXTRATHANE® SOFT / ALUMINUM CORE - UXS/AL

Capacity Up to 1760 lbs



WHEEL SPECIFICATIONS

Dia. (mm)	Width (mm)	Capacity (lbs)	Bearing Type	Axle Bore (mm)	Hub Length (mm)	Part Number*
100	40	660	P	15	40	UXS/AL-P-100/40/15
125	40	770	P	15	45	UXS/AL-P-125/40/15
160	50	1210	P	20	60	UXS/AL-P-160/50/20
200	50	1540	P	20	60	UXS/AL-P-125/40/15
250	50	1760	P	20	60	UXS/AL-P-250/50/20
250	50	1760	P	25	60	UXS/AL-P-250/50/25

*R= Roller bearing, P= Precision ball bearing, PL = Plain bushing

This series made with a premium soft urethane tread firmly bonded onto an aluminum die-cast wheel center. Color Green, non-marking, **Very high operational comfort because of the thick, elastic tread and low rolling resistance.** The tread consists of a reaction-injected polyurethane elastomer. Premium soft urethane is a polyurethane on the basis of polyester polyhydric, diisocyanate and glycol.

Operating temperature: -20° C to +70° C temporarily up to +90° C (measured at the tread). With decreasing temperature (below -10° C), the rigidity slightly increases. High resistance to mineral greases and oils, petrols and paraffin solvents, UV and radiation as well as to weak acids. Conditional resistance to strong acids and lyes. premium soft urethane is not resistant to hot water, saturated steam, hot, humid air and aromatic solvents. The premium soft urethane tread has a standard hardness of 75°+5° shore A.

Wheel Tread High rebound resilience, i.e. low permanent deformation over longer endurance times, very high abrasion, cut, tear and tear propagation resistance. Negligible heating under dynamic load. The premium soft urethane tread is characterized by its floor-saving, non-marking and non-staining qualities, its low-noise rolling performance as well as its shock and vibration absorption.

Wheel Core aluminum die-cast wheel center

WHEEL OPTIONS

SG Non-marking grey tyre

EXTRATHANE® GUIDE WHEELS - CGW/UX

Capacity Up to 220 lbs.



The **Extrathane® Series** covers guide rollers with these Extrathane® tread which is firmly bonded onto a ball bearing.

Bearings: The guide rollers have ZZ or 2RS ball bearings and are life-time lubricated. They are maintenance-free under normal operating conditions.

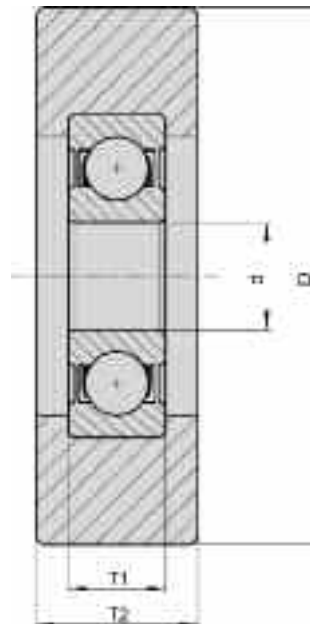
The load capacities indicated in the table refer to a circumferential speed of 1 m/sec without obstacles.

Treads: Made of these Extrathane® polyurethane, firmly bonded, color light brown, non-marking, 92° shore A, elastic, abrasion-resistant, high cut and tear propagation resistance, non-staining, floor-saving, low-noise operation, low rolling resistance, very good chemical connection with the ball bearing.

Wheel centers: Ball bearing in acc. with DIN 625

CONVEYOR / GUIDE SPECIFICATIONS

Dia. (mm)	Width (mm)	Cap. (lb)	Bearing Type	Axle Bore (mm)	Clamp Length (mm)	Part Number*
30	8	35	Prec. Ball	6	6	CGW/UX-30x8/6-6
30	11	45	Prec. Ball	9	7	CGW/UX-30x11/9-7
34	16	55	Prec. Ball	8	7	CGW/UX-34x16/8-7
35	14	65	Prec. Ball	12	8	CGW/UX-35x14/12-8
36	13	65	Prec. Ball	10	9	CGW/UX-36x13/10-9
40	15	65	Prec. Ball	10	8	CGW/UX-40x15/10-8
40	20	75	Prec. Ball	10	9	CGW/UX-40x20/10-9
45	17	110	Prec. Ball	15	11	CGW/UX-45x17/15-11
50	15	100	Prec. Ball	10	9	CGW/UX-50x15/10-9
50	15	100	Prec. Ball	12	12	CGW/UX-50x15/12-12
50	18	100	Prec. Ball	15	11	CGW/UX-50x18/15-11
52	15	120	Prec. Ball	12	12	CGW/UX-52x15/12-12
60	20	155	Prec. Ball	17	12	CGW/UX-60x20/17-12
61	30	175	Prec. Ball	17	12	CGW/UX-61x30/17-12
62	15	145	Prec. Ball	20	12	CGW/UX-62x15/20-12
62	15	145	Prec. Ball	25	12	CGW/UX-62x15/15-12
70	20	200	Prec. Ball	25	15	CGW/UX-70x20/15-15
75	23	220	Prec. Ball	20	14	CGW/UX-75x23/20-14



EXTRATHANE® / STEEL CORE GUIDE WHEELS - CGW/UX/STL

Capacity Up to 540 lbs.



Extrathane® with Steel Center Series covers guide rollers with these Extrathane® tread (refer to the material description on page 44) which is firmly bonded onto a compact solid steel wheel center. The guide rollers have ZZ or 2RS ball bearings and are life-time lubricated. They are maintenance-free under normal operating conditions.

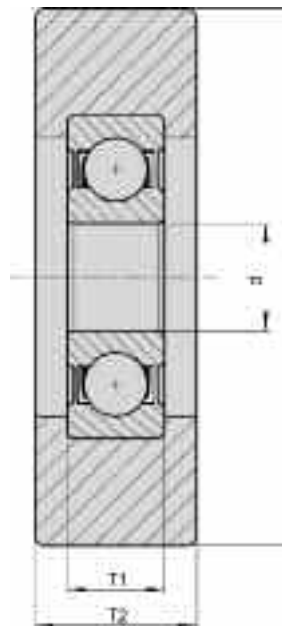
The load capacities indicated in the table refer to a circumferential speed of 1 m/sec without obstacles.

Treads: Made of these Extrathane® polyurethane, firmly bonded, color light brown, non-marking, 92° shore A, elastic, abrasion-resistant, high cut and tear propagation resistance, non-staining, floor-saving, low-noise operation, low rolling resistance, very good chemical connection with the wheel center.

Wheel centers: Made of steel, ball bearing.

CONVEYOR / GUIDE WHEEL SPECIFICATIONS

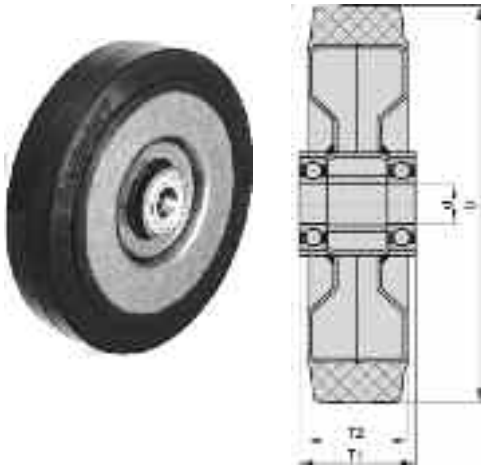
Dia. (mm)	Width (mm)	Cap. (lbs)	Bearing Type	Axle Bore (mm)	Clamp Length (mm)	Part Number
40	13	100	Prec. Ball	10	8	CGW/UX/STL-40x13/10-8
40	15	110	Prec. Ball	10	8	CGW/UX/STL-40x15/10-8
40	20	155	Prec. Ball	10	8	CGW/UX/STL-40x20/10-8
50	15	140	Prec. Ball	10	8	CGW/UX/STL-50x15/10-8
50	18	175	Prec. Ball	17	10	CGW/UX/STL-50x18/17-10
60	20	230	Prec. Ball	15	13	CGW/UX/STL-60x20/15-13
60	20	230	Prec. Ball	20	12	CGW/UX/STL-60x20/20-12
68	20	250	Prec. Ball	15	13	CGW/UX/STL-68x20/15-13
70	25	375	Prec. Ball	25	15	CGW/UX/STL-70x25/25-15
80	25	355	Prec. Ball	25	15	CGW/UX/STL-80x25/25-15
90	25	405	Prec. Ball	25	15	CGW/UX/STL-90x25/25-15
100	25	470	Prec. Ball	25	15	CGW/UX/STL-100x25/25-15
110	25	505	Prec. Ball	25	15	CGW/UX/STL-110x25/25-15
120	25	530	Prec. Ball	25	15	CGW/UX/STL-120x25/25-15
125	25	540	Prec. Ball	25	15	CGW/UX/STL-125x25/25-15



ALL CONVEYOR / GUIDE WHEEL SPECIFICATIONS CAN BE MADE IN NYLACRON™ NY/MD AND NYLACRON™ NY/MC.

ELASTIC RUBBER / STEEL CORE - ER/STL

Capacity Up to 2530 lbs



Elastic Solid Rubber Wheels have an especially high load capacity due to their special rubber compound. The tires are floor-saving and characterized by a very low rolling resistance, excellent operational comfort as well as a high wear resistance. The firm tire seat on the wheel center is attained by vulcanizing the tires on onto the wheel center. Operating temperature: -30° C to +80° C, (Temporarily up to +100° C). Increased ambient temperature in combination with high loads and speed may lead to an overheating of the tire.

Wheel Tread Elastic solid rubber, smooth rolling quality, color black, 65° shore A, Vulcanized, for non-detachable bond, low rolling resistance.

Wheel Core Triple-welded wheel center with tubular steel hub pressed from thick-walled sheet steel. Depending on the wheel size the solid elastic rubber tires are vulcanized or, with the steel wire reinforced version, hydraulically pressed on to the wheel center. The Elastic solid rubber tire is directly vulcanized on to the tubular steel hub for wheel diameters 100mm and 125mm. These wheels are especially resistant to dirt, shocks and impacts. They have a smooth design and the lacquer coating protects against environmental influences. Color is anthracite.

WHEEL SPECIFICATIONS

Dia. (mm)	Width (mm)	Capacity (lbs)	Bearing Type	Axle Bore (mm)	Hub Length (mm)	Part Number*
100	40	400	P	20	45	ER/STL-P-100/40/20
125	50	600	P	20	60	ER/STL-P-125/50/20
160	50	880	P	20	60	ER/STL-P-160/50/20
200	50	1100	P	20	60	ER/STL-P-200/50/20
200	50	1100	P	20	60	ER/STL-P-200/50/25
200	80	1540	P	25	90	ER/STL-P-200/80/25
250	60	1540	P	25	70	ER/STL-P-250/60/25
250	80	1870	P	25	90	ER/STL-P-250/80/25
250	80	1870	P	30	90	ER/STL-P-250/80/30
300	75	1890	P	30	85	ER/STL-P-300/75/30
360	75	2090	P	30	90	ER/STL-P-360/75/30
400	65	1980	P	35	75	ER/STL-P-400/65/35
415	90	2530	P	35	100	ER/STL-P-415/90/35

^ = (Static Load) *R = Roller bearing, P = Precision Ball bearing, PL = Plain bushing

The Elastic Solid Rubber tires are available in three versions:

- **Smooth rolling quality:** This version is characterized by a particularly low starting and rolling resistance as well as a high wear resistance. The hardness is 65°±3° shore A. In addition to the black standard version, these Tires are also available in a non-marking grey or non-marking blue design in certain dimensions (non-staining). (Call Acorn™ 800-523-5474)
- **Drive quality:** This version has high wear resistance with a low starting and rolling resistance. The hardness is 65°±3° shore A. Color: black. (Standard)
- **Friction wheel quality:** This version has an extremely high wear resistance with a relatively high rolling resistance and is particularly suitable for drum drives. The hardness is 73°±3° shore A. Color: black. (Call Acorn™ 800-523-5474)

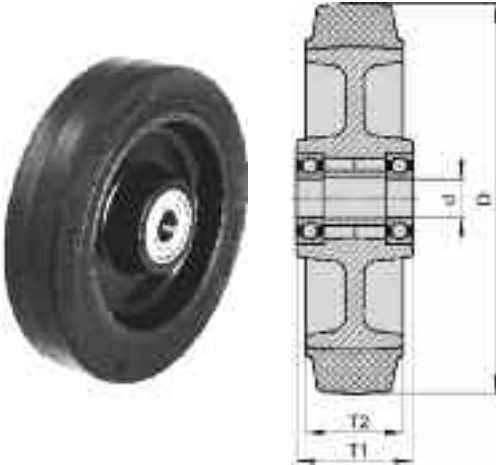


Wheel Options

- **GT** Non-marking Gray tread
 - **GN** Grease nipple
- *Add wheel option to wheel part number.

ELASTIC RUBBER / NYLON CORE - ER/NN

Capacity Up to 1430 lbs



WHEEL SPECIFICATIONS

Dia. (mm)	Width (mm)	Capacity (lbs)	Bearing Type	Axle Bore (mm)	Hub Length (mm)	Part Number*
100	38	400	P	8	45	ER/NN-P-100/40/8
100	38	400	P	10	46	ER/NN-P-100/40/10
100	38	400	P	15	45	ER/NN-P-100/40/15
125	40	550	P	8	46	ER/NN-P-125/50/8
125	40	550	P	10	46	ER/NN-P-125/50/10
125	40	550	P	15	45	ER/NN-P-125/50/15
125	40	550	P	20	45	ER/NN-P-125/50/20
160	50	770	P	20	60	ER/NN-P-160/54/20
200	50	990	P	20	60	ER/NN-P-200/50/20
200	50	990	P	25	60	ER/NN-P-200/50/25
250	50	1210	P	20	60	ER/NN-P-250/54/20
250	50	1210	P	25	60	ER/NN-P-250/54/25
300	60	1430	P	30	70	ER/NN-P-300/60/30

*R = Roller bearing, P = Precision Ball bearing, PL = Plain bushing

Elastic Solid Rubber Wheels have an especially high load capacity due to their special rubber compound. The tires are floor-saving and characterized by a very low rolling resistance, excellent operational comfort as well as a high wear resistance. The firm tire seat on the wheel center is attained by vulcanizing the tires on onto the wheel center. Operating temperature: -30° C to +80° C, (Temporarily up to +100° C). Increased ambient temperature in combination with high loads and speed may lead to an overheating of the tire.

Wheel Tread Elastic solid rubber, smooth rolling quality, color black, 65° shore A, Vulcanized, for non-detachable bond, low rolling resistance.

Wheel Core Made of high quality nylon, color black, shock and impact resistant, plain bearing (PL), roller bearing (R) or dual sealed precision ball bearing (P)

Tires are available in three versions:

- **Smooth rolling quality:** This version is characterized by a particularly low starting and rolling resistance as well as a high wear resistance. The hardness is 65°±3° shore A. In addition to the black standard version, these Tires are also available in a non-marking grey or non-marking blue design in certain dimensions (non-staining). (Call Acorn™ 800-523-5474)
- **Drive quality:** This version has high wear resistance with a low starting and rolling resistance. The hardness is 65°±3° shore A. Color: black. (Standard)
- **Friction wheel quality:** This version has an extremely high wear resistance with a relatively high rolling resistance and is particularly suitable for drum drives. The hardness is 73°±3° shore A. Color: black. (Call Acorn™ 800-523-5474)



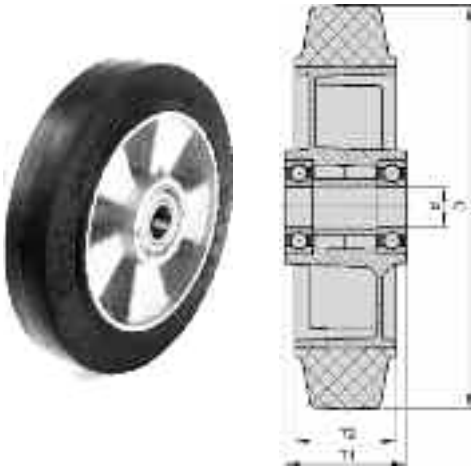
Wheel Options

- **SG** Non-marking Gray tread
- **SB** Non-marking Blue tread
- **SS/R** Stainless Steel Roller Bearing
- **SS/P** Stainless Steel Sealed Precision Ball Bearing

*Add wheel option to wheel part number.

ELASTIC RUBBER / ALUMINUM CORE - ER/AL

Capacity Up to 1210 lbs



WHEEL SPECIFICATIONS

Dia. (mm)	Width (mm)	Capacity (lbs)	Bearing Type	Axle Bore (mm)	Hub Length (mm)	Part Number*
100	40	400	P	15	40	ER/AL/BT-P-100/40/15
125	40	550	P	15	45	ER/AL/BT-P-125/40/15
125	50	600	P	20	60	ER/AL/BT-P-125/50/20
140	40	600	P	20	60	ER/AL/BT-P-140/40/20
150	54	770	P	20	60	ER/AL/BT-P-150/54/20
150	54	770	P	25	60	ER/AL/BT-P-150/54/25
160	40	660	P	15	60	ER/AL/BT-P-160/40/15
160	50	770	P	20	60	ER/AL/BT-P-160/50/20
160	50	770	P	25	60	ER/AL/BT-P-160/50/25
180	50	880	P	20	60	ER/AL/BT-P-180/50/20
180	50	880	P	25	60	ER/AL/BT-P-180/50/20
200	50	990	P	20	60	ER/AL/BT-P-200/50/20
200	50	990	P	25	60	ER/AL/BT-P-200/50/25
250	50	1210	P	20	60	ER/AL/BT-P-250/50/20
250	50	1210	P	25	60	ER/AL/BT-P-250/50/25

*R = Roller bearing, P = Precision Ball bearing, PL = Plain bushing

Elastic Solid Rubber Wheels have an especially high load capacity due to their special rubber compound. The tires are floor-saving and characterized by a very low rolling resistance, excellent operational comfort as well as a high wear resistance. The firm tire seat on the wheel center is attained by vulcanizing the tires on onto the wheel center. Operating temperature: -30° C to +80° C, (Temporarily up to +100° C). Increased ambient temperature in combination with high loads and speed may lead to an overheating of the tire.

Wheel Tread Elastic solid rubber, smooth rolling quality, color black, 65° shore A, Vulcanized, for non-detachable bond, low rolling resistance.

Wheel Core Made of aluminum die-cast, corrosion-resistant, with dual sealed precision ball bearings, color aluminum.

The Elastic Solid Rubber tires are available in three versions:

- **Smooth rolling quality:** This version is characterized by a particularly low starting and rolling resistance as well as a high wear resistance. The hardness is 65°±3° shore A. In addition to the black standard version, these Tires are also available in a non-marking grey or non-marking blue design in certain dimensions (non-staining). (Call Acorn™ 800-523-5474)
- **Drive quality:** This version has high wear resistance with a low starting and rolling resistance. The hardness is 65°±3° shore A. Color: black. (Standard)
- **Friction wheel quality:** This version has an extremely high wear resistance with a relatively high rolling resistance and is particularly suitable for drum drives. The hardness is 73°±3° shore A. Color: black. (Call Acorn™ 800-523-5474)



Wheel Options

- **BT** Non-marking Blue tread (standard)
- **GT** Non-marking Gray tread
- **EL** Anti Static, Black Tread, Marked
Leak resistance < 10⁴ ohms, in accordance with DIN EN 12526

*Add wheel option to wheel part number.

RÄDER-VOGEL® WHEEL PRODUCTION FACILITY

BAYER® has been manufacturing Urethane production equipment since 1946 and provides assistance in the production and testing of VULKOLLAN® and Premium Urethane wheels to assure consistent quality performance.

BAYER® assures the end user the right chemical composition and pouring temperature of the Urethanes and VULKOLLAN® to achieve the proper quality and durometer required.

RÄDER-VOGEL® has been producing VULKOLLAN® and premium urethanes since 1946 and has the most modern automated urethane production facility in the world.



CNC Lathe



CNC Lathe



CNC shotblasting installation



CNC bonding agent application



Automatic prepolymer production unit

RÄDER-VOGEL® WHEEL PRODUCTION FACILITY

Longitudinal casting oven



Rotary casting table



Curing room



CNC turning machine



Painting line



Automatic mounting machine

TRACTOTHAN® / VULKOLLAN®

VULKOLLAN® tread material is expensive, but its specific properties – except traction – makes it the best read material for wheels having to meet the highest standards concerning speed, load capacity, resilience, resistance to abrasion, etc.

TRACTOTHAN® is a material developed by RÄDER-VOGEL® with all the same outstanding properties as VULKOLLAN®, but in addition it has far better traction due to a higher coefficient of friction. TRACTOTHAN® is produced in a special patented production process. Special polyurethane granules, having a lower shore hardness are integrated into the entire VULKOLLAN® tread, which increases the road grip and lowers the risk of sliding.

TRACTOTHAN® improves starting properties, reduces slip, increases the braking effect and is therefore best suited for universal use due to the improved in-plant operating safety.

Many plant floors are becoming more slippery, due to various new types and coatings. Operating on dry, as well as wet and dirty floors during in-plant transportation or in damp and wet environments such as cold storage rooms, slaughter houses, wheels with TRACTOTHAN® (above 5 mph) are definitely the best alternative for improved plant operating safety. Below 5 mph, TRACTOPUR® wheels may be a lower cost alternative. (See TRACTOPUR® in the Urethane section.)

Leading industrial truck and gear motor manufacturers are changing to TRACTOTHAN® in their drive wheels for speeds above 5 mph. Call us to discuss any application.



TRACTOTHAN® wheels are used for in-plant transportation on fine, smooth as well as wet and dirty floors. The stopping distance is reduced and therefore plant safety is increased.

VULKOLLAN® Wheels are available for any size caster and hub length.

VULKOLLAN® and TRACTOTHAN® are available from 85 to 93 Shore A durometer.

VULKOLLAN® 93 SHORE A / TRACTOTHAN® 93 SHORE A

VULKOLLAN® and TRACTOTHAN® ISO Specifications are available for 85 to 93 Shore A Durometers.

Mechanical Features		VULKOLLAN® 93 Shore A	TRACTOTHAN® 93 Shore A
Shore Hardness A	DIN 53 505	93	93 PU-Inclusions
Density in g/cm ³	DIN 53 479	1.26	1.25
Elongation at rupture in %	DIN 53 504	Approx. 600	Approx. 600
Tensile stress in MPa at 100%	DIN 53 504	9 – 9.5	9 – 9.5
Modulus of elasticity in MPa at 20 C	DIN 53 457	80 – 90	80 – 90
Impact resilience in %	DIN 53 512	55 – 60	55 – 60
Resistance to tear propagation in kN	DIN 53 515	55 – 60	55 – 60
Compression set in % 70 h. 23 C	DIN 53 517	10 – 11	10 – 11
Abrasion loss in mm ³	DIN 63 516	39	40
Coefficient of friction (traction) on wet floor at 8000 N		0.10	0.15
Rolling resistance at 20 C in % of charge	(average)	0.8 – 0.9	0.9 – 1.0
Starting resistance at 20 C in % of charge		1.1 – 1.4	1.2 – 1.5

VULKOLLAN® and TRACTOTHAN® are registered trademarks.

All values indicated in this table are approximative values resulting from our own tests or information given by our raw material suppliers. The normed values refer to special test samples, so that these values are not directly applicable for wheels and casters. Furthermore, these values change under such influences as temperature, humidity, duration of charge compression, etc.

Complete technical specifications are available for all wheels.

	Material			
	VULKOLLAN®	TRACTOTHAN®	TRACTOPUR®	PEVOPUR®
VULKOLLAN® TRACTOTHAN® TRACTOPUR® PEVOPUR®	93° Shore 93° Shore 93° Shore 93° Shore	93° PU-Insulation	93° PU-Insulation	93°
mechanical features				
Shore hardness A	DIN 53 505 1.28	93° PU-Insulation 1.25	93° PU-Insulation 1.23	93°
Density in g/cm³	approx. 600	approx. 600	approx. 600	approx. 600
Elongation at rupture in %	9 - 0.5	9 - 0.5	9 - 6.5	8 - 8.5
Tensile stress in MPa at 100%	100 - 140	100 - 140	50 - 90	60 - 80
Modulus of elasticity in MPa at 20°C	55 - 60	55 - 60	90 - 56	50 - 59
Impact resistance in %	50 - 53	50 - 55	45 - 50	45 - 50
Resistance to tear propagation in kN/m	10 - 11	10 - 11	11 - 12	11 - 12
Compression set in % 70 h, 23°C	95	40	42	41
Abrasion loss in mm*	0.10	0.15	0.15	0.10
Coefficient of friction (traustri) in wet floor at 8000 N	0.0 - 0.3	0.3 - 1.0	0.95 - 1.05	0.65 - 0.95
Rolling resistance at 20°C in % of charge	1.1 - 1.4	1.2 - 1.5	1.25 - 1.50	1.15 - 1.46
Sliding resistance at 20°C in % of charge				

VULKOLLAN® - registered trade mark of BAYER AG. TRACTOTHAN®, TRACTOPUR® and PEVOPUR® - registered trade mark of RÄDER-VOGEL. All values indicated in this table are approximate values resulting from our own tests or measurements given by our raw material suppliers. The named tests refer to standard test samples, so that these values are not directly applicable for streets and carriers. Furthermore these values change under such influences like temperature, humidity, duration of charge, compression, etc.

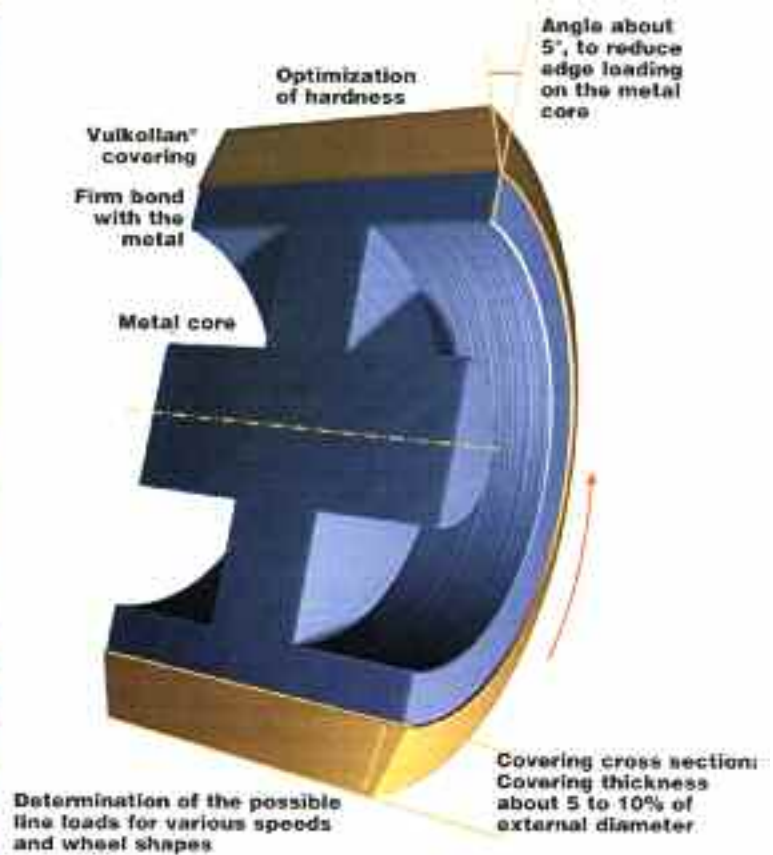
No legal obligation / Correct April 1998

Rollers and wheels are major application areas for VULKOLLAN®, since they are exposed to many stresses. The behavior of the material VULKOLLAN® under dynamic stress can be determined on a roller test bed. The advantage over other dynamic tests is that finished parts, can be tested under conditions similar to those encountered in practice.

VULKOLLAN's® special combination of properties has already been verified by various institutions, including the Technical Inspection Authorities in Munich and the Materials Handling Institute at the Technical University of Berlin and by many AGV and vehicle manufacturers. The outstanding load-bearing capacity of VULKOLLAN® rollers has been confirmed in all areas.

While testing the elastomer on the roller test bed, the quality of the VULKOLLAN® bond to the metal core and information about the optimum cross section can also be obtained.

Call toll-free to make use of our extensive experience of VULKOLLAN® applications: 800-523-5474



SOLID VULKOLLAN® — MECHANICAL PROPERTIES

VULKOLLAN® can be produced in hardness ranging from about 65 Shore A to about 70 Shore D. The mechanical properties are particularly favorable between about 80 Shore A and 40 Shore D, so these grades of VULKOLLAN® have the greatest share of the market.

VULKOLLAN® Nomenclature

The number following the word VULKOLLAN® indicates the content in grams of Desmodur™ 15 per 100 grams of polyester. The Shore hardness increases with the Desmodur™ 15 content.

e.g. VULKOLLAN® 25 = 25 parts by weight of Desmodur™ 15 to 100 parts by weight of polyester.

TYPICAL PROPERTIES*						
Mechanical properties	Test standard	Units	Vulkollan®			
	ISO		18	21	25	9
Shore A/D hardness	868		83/29	89/35	92/36	95/40
Density	1183	Mg/m ³	1.26	1.26	1.26	1.26
Stress at 100% strain	37	MPa	4.3	5.9	8.0	10.6
Stress at 300% strain	37	MPa	7.8	10.4	12.8	15.8
Ultimate tensile strength	37	MPa	50	54	53	42
Elongation at break	37	%	660	700	740	692
Tear propagation resistance	34	kN/m	31	38	54	57
Rebound resilience	4662	%	65	64	62	61
Abrasion	4649	mm ³	37	32	28	26
Taber abrasion (S42/4.9 N)	9352	mg	3.5	4.0	6.1	7.5
Compression set 70 h / 23°C	815	%				
24 h / 70°C			8	9	10	14
Linear coefficient of thermal expansion						

*The figures are intended as guide values for a standard Vulkollan® formulation.





SHORE HARDNESS

Shore Hardness is determined by testing the indentation resistance. The indentation resistance with which the elastomer opposes a spring-mounted needle is measured and displayed on a scale of 0 to 100. Shore A testing is used for softer elastomers. The Shore D scale is preferred from about 90 Shore A.



ABRASION

Abrasion is measured by various methods, normally according to ISO 4649 ("abrasion roll") and ISO 9352 ("Taber"). The elastomer specimens are rubbed with defined grinding media and abrasion is determined by loss of weight or volume. Low abrasion values denote high resistance to wear.



ULTIMATE TENSILE STRENGTH

Tensile Stress is measured on specially shaped test bars in tensile testing machines and is indicated as a function of the strain. Testing is normally at 100%, 300% and a breakage. VULKOLLAN® displays very high strength values. The test bars only tear after elongation to over 7 times the original length. Tensile strength testing is frequently used for quality control.



COMPRESSION DEFORMATION

The residual deformation after sustained compressive deformation is measured by determining the compression set. The test stoppers are deformed to a specific extent at defined temperatures and for defined periods. Recovery is then determined. Low values denote low permanent set.



TEAR PROPOGATION RESISTANCE

Tear propagation resistance is measured by stretching a notched specimen. High tear propagation resistance values denote reliable performance even of damaged parts.



REBOUND RESILIENCE

Rebound resilience is measured with a falling hammer. The higher the rebound, the less energy is absorbed in the elastomer and converted into heat.



RÄDER-VOGEL® WHEELS	PAGE #
VULKOLLAN®	125-130
PEVOSOFT® & PEVOPUR®	131-136
PEVOLON®	137-139
PEVOLASTIC® / PEVOTHAN®	140-143
Drive Wheels	144-146
Guide Rollers	147-149
Pallet Rollers	150-153
Press-On Tires	154-158



VULKOLLAN® WHEELS



**VULKOLLAN® /
CAST IRON CORE**

Visit our Web site for new products
www.acornindprod.com



**PEVOSOFT®
ALUMINUM CORE**



**PEVOPUR®
ALUMINUM CORE**



**PEVOSOFT®
CAST IRON CORE**



**PEVOPUR®
CAST IRON CORE**



PEVOLON®



PEVOLASTIC®



PEVOTHAN®



DRIVE WHEELS



**GUIDE ROLLERS
& GUIDE WHEELS**



**PALLET ROLLERS
& PRESS-ON TIRES**

VULKOLLAN®

Rubbery-Elastic VULKOLLAN® in its classic form is a polyurethane elastomer based on naphthalane 1,5-disocyanate (Desmodur™ 15), polyester polyol and special chain extenders. VULKOLLAN® is produced by hot casting.

The raw materials used for VULKOLLAN® are subject to tight specifications and strict quality controls. All licensed processors must follow BAYER'S® guidelines for VULKOLLAN® formulations and production processes, otherwise they cannot use the name VULKOLLAN®.

Required guidelines are covered by a trademark agreement between BAYER® and RÄDER-VOGEL® and are essential for the production of consistently high quality elastomers.

Some USA wheel producers claim a material equal to VULKOLLAN®; but if they are not licensed by BAYER®, it is not the same.

VULKOLLAN® wheels take up to 4 weeks to produce, due to the stabilizing requirements needed. Thus it is important to allow adequate time for any application.

Both RÄDER-VOGEL® and Acorn™ stock many of the VULKOLLAN® wheels and are continuously increasing stock for JIT deliveries to OEM, AGV, Automotive and Industrial Customers.

VULKOLLAN® – the best of the Urethanes – is designed to take heavy loads, under demanding conditions, and a must for speeds above 5 mph.



VULKOLLAN®

Stated loads shown are for operation under ideal conditions, i.e. the wheel operates infrequently on a smooth surface without axial loading.

Thus load ratings must be reduced for operation under any or all of the following conditions:

- **Frequent use in excess of 45 minutes continuous:**
reduce loadings by 25%
- **Driving applications:**
reduce loadings by 30%
- **Speeds 6-10 kph (3.73 - 6.21 mph):**
reduce loads by 20%
- **Speeds 10-16 kph (6.21 - 10 mph):**
reduce loadings by 30%

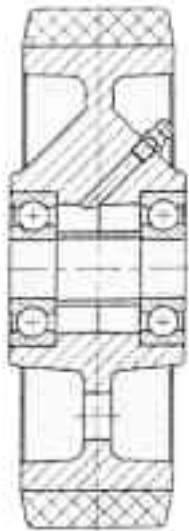
It is important to note that the above reduction in ratings are cumulative if more than one of the conditions exists.

Please contact our application department for advice if the wheels are subject to high humidity, speeds in excess of 16 kph (10 mph), exposure to chemicals, steering or running on a curved surface.

Series 178 – VULKOLLAN® Load Wheels

A highly elastic cross-linked polyurethane elastomer produced on the basis of Desmodur™™ 15 of BAYER® AG. Among the excellent mechanical characteristics of VULKOLLAN® are: high dynamic load capacity, higher abrasion and tear propagation resistance than most other materials; the highest modulus of elasticity of all elastomers; good mechanical wear resistance and impact resilience as well as a low compression set. Furthermore, VULKOLLAN® offers good chemical resistance to mineral oils and greases and different solvents. It is specially recommended for high requirements regarding load capacity, rebound resilience, speed and durability. Therefore, VULKOLLAN® is preferred for drive wheels for industrial trucks, in material handling and mechanical engineering.

Grey cast iron center with ball bearings (/5). Direct bonded VULKOLLAN® tread.



Series 178 with Precision Bearings

25.4 mm = 1 inch
1 kg = 2.2 lbs

Ordering Number	mm	mm	mm	mm	mm	mm	kg
178/100/025/5/15	100	25	25	26	42	15	200
178/100/035/5/12	100	35	40	40	42	12	300
178/100/040/5/15	100	40	45	42	45	15	350
178/100/040/5/15 B*	100	40	45	42	45	15	350
178/100/040/5/25	100	40	45	45	54	25	350
178/100/050/5/20 B*	100	50	50	54	-	20	450
178/100/050/5/25	100	50	50	54	-	25	450
178/100/050/5/25	100	50	50	48	-	25	450
178/125/040/5/15	125	40	45	45	42	15	450
178/125/040/5/20	125	40	45	43	60	20	450
178/125/050/5/20	125	50	50	54	59	20	560
178/125/050/5/25	125	50	50	54	59	25	560
178/125/050/5/25	125	50	50	48	59	25	560
178/150/035/5/15	150	35	43,5	39,5	61	15	450
178/150/035/5/25	150	35	35	39	62	25	450
178/150/050/5/20	150	50	50	54	61	20	660
178/150/050/5/25	150	50	50	54	61	25	660
178/150/050/5/25	150	50	50	48	61	25	660
178/150/080/5/25	150	80	72	78	65	25	900
178/160/040/5/20	160	40	45	49	61	20	550
178/160/050/5/20	160	50	60	60	65	20	700
178/160/050/5/25	160	50	50	48	70	25	700
178/180/050/5/25	180	50	50	48	66	25	800
178/200/050/5/20	200	50	60	64	65	20	1000
178/200/050/5/25	200	50	60	64	65	25	1000
178/200/050/5/30	200	50	50	48	80	30	1000
178/200/080/5/25	200	80	80	84	70	25	1400
178/200/080/5/25	200	80	78	78	90	25	1400
178/200/080/5/30	200	80	78	78	85	30	1400
178/200/080/5/35	200	80	80	78	82	35	1400
178/250/050/5/25	250	50	60	64	67	25	1100
178/250/050/5/30	250	50	50	48	83	30	1100
178/250/060/5/25	250	60	60	60	77	25	1350
178/250/080/5/30	250	80	80	80	75	30	1700
178/250/080/5/30	250	80	78	78	91	30	1800
178/250/080/5/35	250	80	78	78	91	35	1800
178/250/080/5/40	250	80	80	78	101	40	1800
178/300/050/5/30	300	50	60	60	82	30	1350
178/300/060/5/30	300	60	65	65	82	30	1600
178/300/080/5/35	300	80	78	78	107	35	2100
178/300/080/5/40	300	80	85	85	106	40	2100
178/300/100/5/35	300	100	100	98	106	35	2500
178/300/100/5/40	300	100	110	110	105	40	2500
178/300/100/5/50	300	100	100	100	106	50	2500
178/300/135/5/50	300	135	135	135	140	50	3400
178/330/100/5/50	330	100	100	100	120	50	2800
178/400/075/5/45	400	75	85	85	131	45	2700

* = with crowned tread

Series 178 A – VULKOLLAN® drive wheels

Grey cast iron wheel center with bore and keyway according to DIN 6885. Direct bonded VULKOLLAN® tread.

Series 178 A – VULKOLLAN® Drive Wheels

Ordering Number	mm	mm	mm	mm	mm	kg
178 A/100/050/25 H7	100	50	50	-	25	450
178 A/125/040/20 H7	125	40	35.5	46	20	450
178 A/125/040/25 H7	125	40	45	60	25	450
178 A/125/040/30 H7	125	40	50	60	30	450
178 A/125/050/25 H7	125	50	50	60	25	560
178 A/125/050/30 H7	125	50	50	60	30	560
178 A/125/050/35 H7	125	50	50	60	35	560
178 A/150/050/30 H7	150	50	50	61	30	660
178 A/150/050/35 H7	150	50	50	61	35	660
178 A/150/050/40 H7	150	50	50	61	40	660
178 A/160/050/25 H7	160	50	50	61	25	700
178 A/160/050/35 H7	160	50	50	61	35	700
178 A/180/055/35 H7	180	55	60	63	35	850
178 A/200/050/30 H7	200	50	60	65	30	1000
178 A/200/050/35 H7	200	50	60	65	35	1000
178 A/200/050/40 H7	200	50	60	85	40	1000
178 A/200/080/50 H7	200	80	80	85	50	1400
178 A/250/050/40 H7	250	50	50	90	40	1100
178 A/250/050/50 H7	250	50	60	90	50	1100
178 A/250/080/30 H7	250	80	80	100	30	1800
178 A/250/080/40 H7	250	80	80	100	40	1800
178 A/250/080/50 H7	250	80	80	100	50	1800
178 A/300/060/40 H7	300	60	65	82	40	1600
178 A/300/060/50 H7	300	60	65	80	50	1600
178 A/300/080/50 H7	300	80	80	107	50	2100
178 A/300/100/40 H7	300	100	100	106	40	2500
178 A/300/100/60 H7	300	100	110	105	60	2500



Series 171 A - VULKOLLAN® drive wheels

As above, but with welded steel wheel center.

Series 171 A – VULKOLLAN® Drive Wheels

Ordering Number	mm	mm	mm	mm	mm	mm	kg
171 A/300/075/260/2/050 H7	300	75	85	98	260	50	2000
171 A/300/100/260/2/060 H7	300	100	110	118	260	60	2500
171 A/360/075/310/2/070 H7	360	75	85	118	310	70	2500
171 A/360/100/310/2/060 H7	360	100	110	118	310	60	3000
171 A/400/100/350/2/070 H7	400	100	110	118	350	70	3500
171 A/400/120/350/2/060 H7	400	120	130	118	350	60	4000
171 A/400/120/350/2/070 H7	400	120	130	118	350	70	4000
171 A/400/150/350/2/060 H7	400	150	160	118	350	60	4300
171 A/500/100/450/2/060 H7	500	100	110	118	450	60	4500
171 A/500/150/450/2/080 H7	500	150	160	136	450	80	5700
171 A/500/200/450/2/080 H7	500	200	210	136	450	80	8000
171 A/600/150/550/2/060 H7	600	150	160	118	550	60	8000
171 A/600/150/550/2/080 H7	600	150	160	136	550	80	8000
171 A/600/200/550/2/080 H7	600	200	210	136	550	80	10000
171 A/700/200/640/2/080 H7	700	200	210	136	640	80	11500

25.4 mm = 1 inch 1 kg = 2.2 lbs

Options: TRACTOTHAN® is available in both VUI 178/5 and VU 178A Series: Add **AT** after ordering number (i.e. **VUI 178/100/50/5/25/AT**)

Standard sizes with Preloaded Precision Bearings / Ratings to 5500 lbs



VULKOLLAN® tired heavy duty wheels with grey cast iron core have better properties than Urethane or Elastic Rubber.

- Highest wear resistance
- Highest abrasion and tear resistance
- Longer service life (up to 10 times that of rubber)
- Dynamic load capacity 2.5 times that of rubber (of same dimensions)

TREAD:

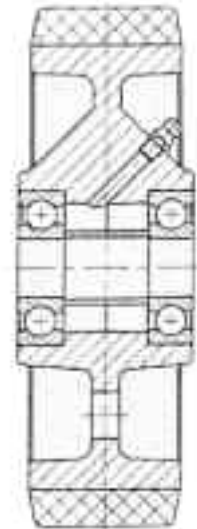
VULKOLLAN® properly bonded to the wheel core. Hardness 93 Shore A.

For speeds greater than 5 mph (8 kph), VULKOLLAN® treads should be used.

WHEEL CORE:

Special grey cast iron with pre-loaded precision ball bearings.

VULKOLLAN® wheels are available for any size caster and hub length



Series VUI 178 with Precision Bearings

Item #	Diameter (mm)	Tread Width (mm)	Wheel Hub / Length (mm)	Bearing ID (mm)	Load Capacity (lbs)
VUI 178/100/025/5/15	100	25	26/26	15	440
VUI 178/100/035/5/12	100	35	40/40	12	660
VUI 178/100/040/5/15	100	40	42/45	15	770
VUI 178/100/040/5/15-B	100	40	42/45	15	770
VUI 178/100/050/5/20-B	100	50	54/50	20	990
VUI 178/125/030/5/15	125	30	29/30	15	660
VUI 178/125/040/5/15	125	40	45/45	15	880
VUI 178/125/050/5/20	125	50	54/50	20	1232
VUI 178/125/050/5/25	125	50	54/50	25	1232
VUI 178/140/060/5/20-B	140	60	68/68	20	1650
VUI 178/150/035/5/25	150	35	39/35	25	880
VUI 178/150/050/5/20	150	50	54/50	20	1452
VUI 178/150/050/5/25	150	50	54/50	25	1452
VUI 178/150/060/5/20	150	60	60/60	20	1760
VUI 178/160/040/5/20	160	40	49/45	20	1144
VUI 178/160/050/5/20	160	50	60/60	20	1540
VUI 178/200/050/5/20	200	50	64/60	20	2200
VUI 178/200/050/5/25	200	50	64/60	25	2200
VUI 178/200/080/5/25	200	80	84/80	25	2970
VUI 178/250/050/5/25	250	50	64/60	25	2420
VUI 178/250/060/5/25	250	60	60/60	25	2970
VUI 178/250/080/5/30	250	80	80/80	30	3740
VUI 178/300/060/5/30	300	60	65/65	30	3520
VUI 178/300/080/5/40	300	80	100/100	40	4840
VUI 178/300/100/5/40	300	100	120/120	40	5500

Standard sizes with Preloaded Precision Bearings / Ratings to 18,400 lbs VULKOLLAN® Tread – Steel Double Welded Core with Pre-Loaded Precision Bearings



VULKOLLAN® tired heavy duty wheels with grey cast iron core have better properties than Urethane or Elastic Rubber.

- Highest wear resistance
- Highest abrasion and tear resistance
- Longer service life (up to 10 times that of rubber)
- Dynamic load capacity 2.5 times that of rubber (of same dimensions)

TREAD:

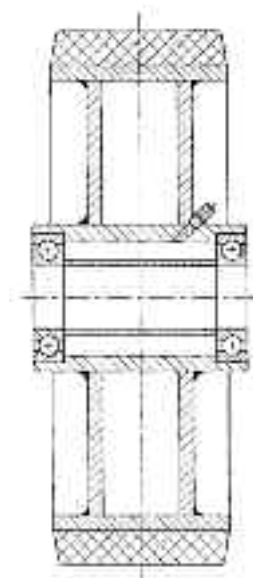
VULKOLLAN® properly bonded to the steel core. Hardness 93 Shore A. (other harnesses available)

For speeds greater than 5 mph (8 kph), VULKOLLAN® treads should be used.

VULKOLLAN® wheels are available for any size caster and hub length

WHEEL CORE:

Strong steel welded construction with tow fold welded tubular steel core.



**Series VUS 171
with Precision
Bearings**

Item #	Diameter (mm)	Tread Width (mm)	Wheel Hub / Length (mm)	Bearing ID (mm)	Load Capacity (lbs)
VUS 171/300/050/5/30	300	50	55	30	2530
VUS 171/300/075/5/35	300	75	80	35	3740
VUS 171/300/100/5/35	300	100	110	35	4840
VUS 171/360/060/5/30	360	60	65	30	3520
VUS 171/360/075/5/40	360	75	80	40	4400
VUS 171/360/100/5/40	360	100	110	40	5500
VUS 171/400/100/5/40	400	100	110	40	6160
VUS 171/400/120/5/50	400	120	130	50	7480
VUS 171/400/150/5/50	400	150	160	50	9460
VUS 171/500/075/5/50	500	75	80	50	5500
VUS 171/500/100/5/50	500	100	110	50	7480
VUS 171/500/120/5/50	500	120	130	50	8800
VUS 171/500/150/5/50	500	150	160	50	11000
VUS 171/500/200/5/80	500	200	210	80	14740
VUS 171/600/150/5/80	600	150	160	80	13860
VUS 171/600/200/5/80	600	200	210	80	18480

Standard VULKOLLAN® Wheels are made with a hardness of **93 Shore A**. However, due to flexibility in production, other degrees of hardness are available (e.g. 85 Shore A with better damping noise reduction and treating the floor with care as well as harder qualities. A hardness of **95 Shore A** is available for extreme dynamic applications.

Series 171 / 5

VULKOLLAN® heavy duty wheels

Stable welded wheel center with ball bearings (/5). Direct bonded VULKOLLAN® tread.



Ordering Number	mm	mm	mm	mm	mm	mm	kg
171/300/075/260/5/35	300	75	80	98	260	35	2000
171/300/100/260/5/35	300	100	110	118	260	35	2500
171/360/075/310/5/40	360	75	80	118	310	40	2500
171/360/100/310/5/40	360	100	110	118	310	40	3000
171/400/100/350/5/40	400	100	110	118	350	40	3500
171/400/120/350/5/50	400	120	130	118	350	50	4000
171/400/150/350/5/50	400	150	160	118	350	50	4300
171/500/100/450/5/50	500	100	110	136	450	50	4500
171/500/120/450/5/50	500	120	130	136	450	50	5000
171/500/150/450/5/50	500	150	160	136	450	50	5700
171/500/200/450/5/80	500	200	210	200	450	80	8000
171/600/150/550/5/80	600	150	160	200	550	80	8000
171/600/200/550/5/80	600	200	210	200	550	80	10000

PEVOPUR® is a high quality polyurethane elastomer. It is, like **VULKOLLAN®**, produced with a hot casting method and, contrary to so-called cold cast systems, subjected to a subsequent heat treatment. Among its outstanding mechanical and chemical characteristics count dynamic load capacity, high elasticity, good compression set and resistance to a multitude of chemical media. Compared to rubber, the load capacity of **PEVOPUR®** is many times higher. Moreover, it is non-marking. **PEVOPUR®** is particularly suitable for applications with a lower requirement profile, e.g. manually operated transport equipment (up to 6 km/h).








PEVOPUR® is specially used for pedestrian-controlled trucks. Our extensive delivery program includes drive and load wheels as well as pallet rollers and stabilizing casters for almost all pedestrian controlled trucks and battery-powered models of all industrial truck manufacturers.

Series 183 ALU/PUR



PEVOSOFT® wheels 75° Shore A with aluminum rim

Aluminum wheel center with ball bearings (5). Direct bonded PEVOSOFT® tread 75° Shore A.




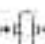



 Ordering Number	 mm	 mm	 mm	 mm	 mm	 kg
183 ALU/PUR/100/040/5/15	100	40	45	46	15	205
183 ALU/PUR/125/050/5/20	125	50	59	55	20	320
183 ALU/PUR/150/050/5/20	150	50	59	55	20	380
183 ALU/PUR/160/050/5/20	160	50	59	55	20	410
183 ALU/PUR/180/050/5/20	180	50	59	55	20	460
183 ALU/PUR/200/050/5/20	200	50	60	55	20	510
183 ALU/PUR/200/050/5/25	200	50	60	55	25	510
183 ALU/PUR/250/060/5/20	250	60	60	60	20	770
183 ALU/PUR/250/060/5/25	250	60	60	60	25	770

Series 181 PUR



PEVOPUR® wheels with aluminum rim

Aluminum wheel center with ball bearings (5). Direct bonded PEVOPUR® tread.








 Ordering Number	 mm	 mm	 mm	 mm	 mm	 kg
181 PUR/080/025/5/15	80	25	28	40	15	150
181 PUR/100/040/5/15 B*	100	40	45	46	15	300
181 PUR/125/050/5/20	125	50	60	55	20	400
181 PUR/150/050/5/20	150	50	59	55	20	450
181 PUR/160/050/5/20	160	50	59	55	20	500
181 PUR/180/050/5/20	180	50	60	55	20	550
181 PUR/200/050/5/20	200	50	60	55	20	700
181 PUR/200/050/5/25	200	50	60	55	25	700

* - with cranked tread

PEVOPUR® / CAST IRON CORE 178 PUR

with Ball Bearings



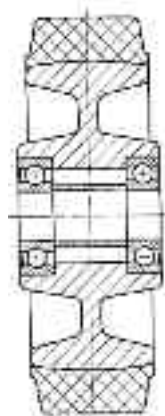
Ordering Number	 mm	 mm	 mm	 mm	 mm	 mm	 kg
178 PUR/100/035/5/12	100	35	40	40	42	12	300
178 PUR/100/035/5/15	100	35	40	38	42	15	300
178 PUR/100/040/5/15	100	40	45	42	45	15	350
178 PUR/100/050/5/25	100	50	50	48	-	25	450
178 PUR/125/040/5/15	125	40	45	45	42	15	450
178 PUR/125/050/5/20	125	50	50	54	59	20	560
178 PUR/150/050/5/20	150	50	50	54	61	20	660
178 PUR/150/060/5/20	150	60	60	60	77	20	800
178 PUR/160/040/5/20	160	40	45	49	61	20	550
178 PUR/200/050/5/20	200	50	56	56	65	20	1000
178 PUR/200/075/5/25	200	75	80	80	70	25	1350
178 PUR/200/080/5/25	200	80	80	84	70	25	1400
178 PUR/250/050/5/25	250	50	60	64	67	25	1100
178 PUR/250/060/5/25	250	60	60	60	75	25	1350
178 PUR/250/075/5/30	250	75	75	75	77	30	1700
178 PUR/250/080/5/30	250	80	80	80	75	30	1700
178 PUR/300/075/5/40	300	75	75	75	105	40	2000
178 PUR/300/080/5/40	300	80	85	85	105	40	2100

Compared to rubber, **PEVOPUR® (Urethane 93A)** as a tread for press-on tires, heavy-duty wheels and casters is characterized by a longevity which is several times higher, a higher dynamic load capacity as well as a lower rolling resistance. Diverse caster systems are available with a load capacity of up to 4,000 kg for in-plant transportation. Our range of products includes pressed steel brackets as well as welded steel swivel and fixed brackets. Locking systems (ALLSTOP, directional lock) are available as standard products for all swivel brackets.

PEVOPUR® (Urethane 93A) is processed with a shore hardness of 93 Shore A for standard products. However, due to flexibility in production, other degrees of hardness are available (e.g. 75 Shore A for better noise reduction and with floor saving properties).

PEVOPUR® / CAST IRON CORE 178 PUR

with Precision Bearings



Dia. (mm)	Width (mm)	Hub Length (in.)	Bore (mm)	Bearing ID (mm)	Capacity (lb)	Wheel Part Number
100	25	20/26	42	15	440	178 PUR/100/035/5/12
100	35	40/40	43	12	660	178 PUR/100/025/5/15
100	40	42/45	45	15	770	178 PUR/100/040/5/15
100	40	42/45	45	15	770	178 PUR/100/040/5/15
100	50	54/50	70	20	990	178 PUR/100/050/5/20
<hr/>						
125	30	29/30	45	15	660	178 PUR/125/030/5/15
125	40	45/45	50	15	880	178 PUR/125/040/5/15
125	50	54/50	60	20	1230	178 PUR/125/050/5/20
125	50	54/50	60	25	1230	178 PUR/125/050/5/25
<hr/>						
140	60	68/68	68	20	1650	178 PUR/140/060/5/20
<hr/>						
150	35	39/35	61	25	880	178 PUR/150/035/5/25
150	50	54/50	60	20	1450	178 PUR/150/050/5/20
150	50	54/50	60	25	1450	178 PUR/150/050/5/25
150	60	60/60	75	20	1760	178 PUR/150/060/5/20
<hr/>						
160	40	45/45	64	20	1140	178 PUR/160/040/5/20
160	50	60/60	65	20	1540	178 PUR/160/050/5/20
<hr/>						
200	50	64/60	65	20	2200	178 PUR/200/050/5/20
200	50	64/60	67	25	2200	178 PUR/200/050/5/25
200	80	84/80	70	25	2970	178 PUR/200/080/5/25
<hr/>						
250	50	64/60	67	25	2200	178 PUR/250/050/5/25
250	60	60/60	75	25	2970	178 PUR/250/060/5/25
250	80	80/80	75	30	3740	178 PUR/250/080/5/30
<hr/>						
300	60	65/65	80	30	3520	178 PUR/300/060/5/30
300	80	100/100	105	40	4840	178 PUR/300/080/5/40
300	100	120/120	105	40	5500	178 PUR/300/100/5/45

25.4 mm = 1 in.

PEVOPUR® (Urethane 93A) is a high quality polyurethane elastomer bonded to a cast iron, aluminum or steel core having good chemical and physical properties and well tested for speeds up to 6 kph (3.73 mph).

Urethane is highly elastic, the compression set quality and the dynamic load capacity are very good but not to the same extent as VULKOLLAN®, TRACTOTHAN®, or Tractopur®.

Compared with rubber of the same dimensions, PEVOPUR® has much longer durability, has much higher load capacity and is non-marking.

Features

- Hardness - 93 Shore A
- Resilient
- Abrasive resistant
- High cut resistant and resistance to tearing
- Non-marking
- Floor protective
- Low noise
- Low rolling resistance

All wheels can be matched with end caps to fit in U.S. caster rigs.

PEVOPUR® / ALUMINUM CORE 181 PUR

with Precision Bearings



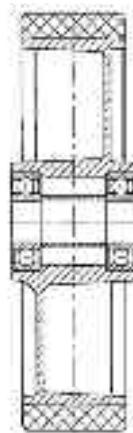
Features

- Hardness - 93 Shore A
- Resilient
- Abrasive resistant
- High cut resistant and resistance to tearing
- Non-marking
- Floor protective
- Low noise
- Low rolling resistance

All wheels can be matched with end caps to fit in U.S. caster rigs.

Dia. (mm)	Width (mm)	Hub Length (in.)	Bore (mm)	Bearing ID (mm)	Capacity (lb)	Wheel Part Number
80	25	35	40	15	330	181 PUR/080/25/5/15
100	40	45	46	15	550	181 PUR/100/40/5/15
125	50	59	64	20	880	181 PUR/125/50/5/20
150	50	59	64	20	990	181 PUR/150/50/5/20
160	50	59	64	20	1100	181 PUR/160/50/5/20
180	50	59	64	20	1210	181 PUR/180/50/5/20
200	80	59	64	20	1540	181 PUR/200/50/5/20
200	80	59	64	25	1540	181 PUR/200/50/5/25

25.4 mm = 1 in.



PEVOPUR® (Urethane 93A) is a high quality polyurethane elastomer bonded to a cast iron, aluminum or steel core having good chemical and physical properties and well tested for speeds up to 6 kph (3.73 mph).

Urethane is highly elastic, the compression set quality and the dynamic load capacity are very good but not to the same extent as VULKOLLAN®, TRACTOTHAN®, or TRACTOPUR®.

Compared with rubber of the same dimensions, PEVOPUR® has much longer durability, has much higher load capacity and is non-marking.

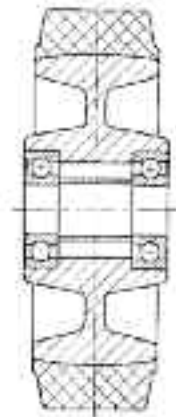
PEVOSOFT® / CAST IRON CORE 183 PUR

with Precision Bearings



Features

- Hardness -75-80A Shore A
- Resilient
- Abrasive resistant
- High cut resistant and resistance to tearing
- Non-marking
- Floor protective
- Low noise
- Low rolling resistance



Dia. (mm)	Width (mm)	Hub Length (in.)	Bore (mm)	Bearing ID (mm)	Capacity (lb)	Wheel Part Number
125	50	60	64	20	775	183 PUR/125/050/5/20
150	50	60	59	20	990	183 PUR/150/050/5/20
200	50	60	67	20	1430	183 PUR/200/050/5/20
250	50	60	67	25	1650	183 PUR/250/050/5/25
250	80	85	70	25	2090	183 PUR/250/080/5/25
300	80	85	80	30	2640	183 PUR/300/080/5/30

25.4 mm = 1 in.

PEVOSOFT® (Urethane 75-80A) is a high quality polyurethane elastomer bonded to a cast iron, aluminum or steel core having good chemical and physical properties and well tested for speeds up to 6 kph (3.73 mph).

Urethane 75-80A is highly elastic, the compression set quality and the dynamic load capacity are very good but not to the same extent as VULKOLLAN®.

Urethane 75-80A is formulated for a quieter operation and less resistance to foreign objects and floor debris. It reduces vibration in the wheel resulting in a quieter ride with less wear on the caster and load. In addition it repels floor chips, bolts, pins, metal scraps etc. from imbedding in the tread.

All wheels can be matched with end caps to fit in U.S. caster rigs.

Urethane 75-80A has been a proven success for automotive plants and those wanting to lower noise levels, improve floor protection and reduce tread failures.

Urethane 75-80A has all the soft qualities of rubber with much better life, higher load carrying ability and is non-marking.

PEVOSOFT® / ALUMINUM CORE 183 ALU

with Precision Bearings

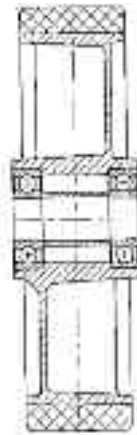


Features

- Hardness -75-80A Shore A
- Resilient
- Abrasive resistant
- High cut resistant and resistance to tearing
- Non-marking
- Floor protective
- Low noise
- Low rolling resistance

Dia. (mm)	Width (mm)	Hub Length (in.)	Bore (mm)	Bearing ID (mm)	Capacity (lb)	Wheel Part Number
100	40	45	46	15	450	183 ALU/100/040/5/15
125	50	59	55	20	700	183 ALU/125/050/5/20
150	50	59	55	20	800	183 ALU/150/050/5/20
160	50	59	55	20	900	183 ALU/160/050/5/20
180	80	59	55	20	1000	183 ALU/180/040/5/20
200	80	60	55	20	1100	183 ALU/200/050/5/20
200	80	60	55	25	1100	183 ALU/200/050/5/25
250	60	60	60	20	1700	183 ALU/250/060/5/20
250	60	60	60	25	1700	183 ALU/250/060/5/25

25.4 mm = 1 in.



Urethane 75-80A is a high quality polyurethane elastomer bonded to a cast iron, aluminum or steel core having good chemical and physical properties and well tested for speeds up to 6 kph (3.73 mph).

Urethane 75-80A is highly elastic, the compression set quality and the dynamic load capacity are very good but not to the same extent as VULKOLLAN®.

Urethane 75-80A is formulated for a quieter operation and less resistance to foreign objects and floor debris. It reduces vibration in the wheel resulting in a quieter ride with less wear on the caster and load. In addition it repels floor chips, bolts, pins, metal scraps etc. from imbedding in the tread.

All wheels can be matched with end caps to fit in U.S. caster rigs.

Urethane 75-80A has been a proven success for automotive plants and those wanting to lower noise levels, improve floor protection and reduce tread failures.

Urethane 75-80A has all the soft qualities of rubber with much better life, higher load carrying ability and is non-marking.



PEVOLON® wheels with plain bearing

High quality thermoplastic polyamide. Heavy duty design with maintenance-free plain bearing (1/1).

1 kg = 2.2 lbs
1 inch = 25.4 mm

Article Code	mm	mm	mm	mm	mm	kg
A 040/033/1/10	40	33	35	16	10	80
A 045/019/1/10	45	19	22	16	10	70
A 050/025/1/10	50	25	30	18	10	150
A 050/017/1/10	50	17	19	20	10	140
A 050/019/1/06	50	19	27	13	6	100
A 060/020/1/10	60	20	25	20	10	150
A 065/030/1/10	65	30	35	20	10	100
A 070/030/1/10	70	30	40	25	10	200
A 075/023/1/15	75	23	25	30	15	200
A 080/035/1/15	80	35	37	30	15	300
A 080/035/1/20	80	35	35	50	20	300
A 100/040/1/15	100	40	50	48	15	450
A 100/050/1/15	100	50	60	55	15	600
A 125/040/1/15	125	40	53	60	15	600
A 125/050/1/15	125	50	60	56	15	700
A 125/050/1/20	125	50	60	56	20	700
A 150/040/1/20	150	40	53	65	20	700
A 150/050/1/20	150	50	60	62	20	800
A 160/050/1/20	160	50	60	63	20	650
A 175/040/1/20	175	40	57	65	20	800
A 175/050/1/20	175	50	55	65	20	750
A 200/040/1/15	200	40	50	45	15	750
A 200/040/1/20	200	40	58	65	20	1000
A 200/050/1/20	200	50	60	65	20	1200
A 200/050/1/25	200	50	60	65	25	1200
A 250/050/1/20	250	50	60	65	20	1500
A 250/050/1/25	250	50	60	65	25	1500
A 250/060/1/25	250	60	65	90	25	1500
A 300/060/1/30	300	60	70	92	30	2000

***Bore can be modified to any dimension (i.e. 1/2", 3/4" etc.).**

Nylon (PEVOLON®) Wheels are available in **Electrically Conductive Nylon**. Add prefix "EC" to part number.









ALL PEVOLON® WHEELS ARE AVAILABLE WITH STANDARD OR STAINLESS STEEL PRECISION BALL BEARINGS.



PEVOLON® wheels with ball bearings

High-quality thermoplastic polyamide. Heavy duty design with ball bearings (1/3).





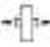
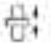


1 kg = 2.2 lbs
1 inch = 25.4 mm

							
Article-Code	mm	mm	mm	mm	mm	mm	kg
A 080/035/5/12	80	35	35	33	50	12	300
A 100/040/5/12	100	40	50	42	48	12	450
A 100/040/5/17	100	40	50	50	48	17	450
A 100/050/5/20	100	50	60	59	55	20	600
A 120/050/5/20	120	50	58	56	58	20	600
A 125/040/5/20	125	40	53	53	60	20	600
A 125/050/5/20	125	50	60	62	70	20	700
A 150/040/5/20	150	40	53	51	65	20	700
A 150/050/5/20	150	50	60	62	76	20	800
A 160/040/5/20	160	40	60	58	60	20	600
A 160/050/5/20	160	50	60	62	76	20	850
A 175/050/5/20	175	50	55	53	65	20	800
A 200/050/5/20	200	50	60	60	85	20	1200
A 200/065/5/25	200	65	74	72	80	25	1300
A 250/050/5/25	250	50	60	60	92	25	1500
A 250/060/5/25	250	60	65	63	90	25	1500
A 300/060/5/25	300	60	70	68	92	25	2000



Polyamide heavy-duty wheels

Wheels made of high-quality cast polyamide with ball bearings (1/3).

							
Article-Code	mm	mm	mm	mm	mm	mm	kg
PAG 080/040/5/20	80	40	45	45	65	20	1000
PAG 100/040/5/20	100	40	45	45	65	20	1250
PAG 125/055/5/25	125	55	60	60	80	25	2000
PAG 150/055/5/30	150	55	60	60	95	30	2500
PAG 150/080/5/35	150	80	90	90	100	35	3000
PAG 200/055/5/35	200	55	60	60	100	35	3000
PAG 200/080/5/45	200	80	90	90	120	45	4500
PAG 250/065/5/45	250	65	70	70	120	45	5000
PAG 250/080/5/50	250	80	90	90	130	50	6000
PAG 300/080/5/55	300	80	90	90	150	55	7000
PAG 300/110/5/70	300	110	120	120	180	70	10000
PAG 400/110/5/80	400	110	120	120	210	80	12000

*Precision Bearings can be stainless steel.

PEVOLON® Wheels

High quality thermoplastic polyamide. Light duty design with maintenance free plain (/1) or roller bearing (/3)

1 kg = 2.2 lbs

1 inch = 25.4 mm



Artikeldate	mm	mm	mm	mm	mm	kg
BR 080-09	80	30	35	40	10	100
BR 100-09	100	35	40	25	10	150
BR 125-09	125	40	50	38	15	175
BR 150-09	150	42	50	38	15	225
BR 160-09	160	40	50	38	15	250
BR 175-09	175	50	60	50	20	275
BR 200-09	200	50	55	38	15	300
BR 200-13	200	50	60	50	20	400
BR 250-09	250	50	60	50	15	400

Heat-Resistant Wheels

Wheels made of phenolic resin with plain bearing (/1).

Heat resistant up to 230°C.



Artikeldate	mm	mm	mm	mm	mm	kg
86 KH/070/32/40/10/1	70	32	34	22	10	90
86 KH/100/36/45/12/1	100	36	45	30	12	160
86 KH/125/36/45/12/1	125	36	45	32	12	220
86 KH/150/43/50/20/1	150	43	50	40	20	280
86 KH/150/43/60/20/1	150	43	60	40	20	280
86 KH/175/47/60/20/1	175	47	60	50	20	350
86 KH/200/43/60/20/1	200	43	60	40	20	450

Special Nylamide

Temperature range 180°C (356°F) continuous to 230°C (446°F) intermittent

Nylon (PEVOLON®) Wheels are available in **Electrically Conductive Nylon**. Add prefix "EC" to part number.

PEVOLASTIC® and **PEVOTHAN®** are tow high quality thermoplastic polyurethane (TPU) elastomers. They have excellent properties for wheels, e.g. high load capacity, high abrasion resistance, good damping and they leave no floor markings.



1 kg = 2.2 lbs
1 inch = 25.4 mm

125-800 kg
Series BPU



60-1100 kg
Series APU



150-1100 kg
Series APUKK



110-400 kg
Series 87PU



100-400 kg
Series 89PU



PEVOLASTIC® is a high quality thermoplastic polyurethane (TPU) elastomer with excellent properties for wheels, e.g. high load capacity, high abrasion resistance and non-marking.

1 kg = 2.2 lbs
1 inch = 25.4 mm



Series BPU

Light-duty PEVOLASTIC® wheels

PE-VOL-LON® rim with a mechanically bonded tread made of high-quality thermoplastic polyurethane.

Article Code	mm	mm	mm	mm	mm	kg
BPU 080/030/.../12	80	30	40	20	12	125
BPU 100/030/.../12	100	30	40	20	12	150
BPU 125/030/.../15	125	30	40	26	15	200
BPU 125/040/.../20	125	40	60	36	20	250
BPU 150/035/.../15	150	35	46	26	15	225
BPU 150/045/.../20	150	45	60	36	20	350
BPU 175/045/.../20	175	45	60	36	20	400
BPU 200/047/.../20	200	47	60	36	20	550
BPU 250/060/1/25	250	60	75	49	25	800

Heavy-duty PEVOLASTIC® wheels

PE-VOL-LON® rim with a mechanically bonded tread made of high-quality thermoplastic polyurethane, with plain bearing [1] or ball bearings [5].



Series APU

Article Code	mm	mm	mm	mm	mm	kg
APU 050/020/1/10	50	20	30		18	60
APU 080/027/1/10	80	27	35		18	75
APU 100/038/1/12	100	38	40		45	150
APU 125/040/1/15	125	40	50		45	225
APU 160/042/1/15	160	42	50		45	400
APU 200/050/1/20	200	50	55		68	800
APU 250/055/1/25	250	55	60		70	1000
APU 300/060/1/25	300	60	65		70	1100
APU 100/038/5/15	100	38	40	38	45	150
APU 125/040/5/15	125	40	50	48	45	225
APU 160/042/5/15	160	42	50	48	45	400
APU 200/050/5/20	200	50	52	57	68	800
APU 250/055/5/20	250	55	60	64	70	1000
APU 250/055/5/25	250	55	60	64	70	1000
APU 300/060/5/20	300	60	65	69	70	1100
APU 300/060/5/25	300	60	65	69	70	1100

PEVOTHAN® is a high quality thermoplastic polyurethane (TPU) elastomer with excellent properties for wheels, e.g. high load capacity, high abrasion resistance and non-marking.

1 kg = 2.2 lbs
1 inch = 25.4 mm

PEVOTHAN® wheels

PE-VO-LON® rim with a mechanically banded tread made of high-quality thermoplastic polyurethane (95° Shore A), with plain bearing [1] or ball bearings [5].



Series 87 PU/1



Series 87 PU/5

Art.Nr.-Code	mm	mm	mm	mm	mm	mm	kg
87 PU/080/035/1/12	80	35	40		20	12	150
87 PU/100/040/1/15	100	40	50		25	15	200
87 PU/125/045/1/15	125	45	50		25	15	250
87 PU/150/045/1/20	150	45	50		35	20	380
87 PU/160/050/1/20	160	50	60		35	20	430
87 PU/200/050/1/20	200	50	60		35	20	500
87 PU/080/035/5/08	80	35	35	41	40	8	150
87 PU/080/035/5/12	80	35	35	31	40	12	150
87 PU/100/040/5/10	100	40	45	51	45	10	200
87 PU/100/040/5/15	100	40	45	41	45	15	200
87 PU/125/045/5/12	125	45	45	51	45	12	250
87 PU/125/045/5/15	125	45	45	41	45	15	250
87 PU/150/045/5/12	150	45	45	51	65	12	380
87 PU/150/045/5/20	150	45	45	41	65	20	380
87 PU/160/050/5/12	160	50	55	61	65	12	430
87 PU/160/050/5/20	160	50	55	51	65	20	430
87 PU/200/050/5/12	200	50	55	61	60	12	500
87 PU/200/050/5/20	200	50	55	51	60	20	500


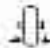
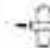



PEVOTHAN® is a high quality thermoplastic polyurethane (TPU) elastomer with excellent properties for wheels, e.g. high load capacity, high abrasion resistance and non-marking.



Series 89 PU/1

PEVOTHAN®

Thermoplastic Urethane mechanically bonded to Pevolon™ Core.
80 Shore A - with plain bushing

Artikelcode	 mm	 mm	 mm	 mm	 mm	 kg
with plain bore						
89 PU 080/34/12/1	80	34	40	22	12	100
89 PU 100/34/12/1	100	34	40	22	12	140
89 PU 125/37/15/1	125	37	47	26	15	180
89 PU 150/45/20/1	150	45	50	35	20	225
89 PU 160/50/20/1	160	50	60	35	20	250
89 PU 200/50/20/1	200	50	60	35	20	400



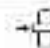



1 kg = 2.2 lbs
1 inch = 25.4 mm



Series 89 PU/3

PEVOTHAN®

Thermoplastic Urethane mechanically bonded to Pevolon™ Core.
80 shoe A - with roller bearing. Available with Stainless Steel Roller Bearing.

Artikelcode	 mm	 mm	 mm	 mm	 mm	 kg
with roller bearing						
89 PU 080/34/10/3	80	34	40	26	10	100
89 PU 100/34/10/3	100	34	40	26	10	140
89 PU 125/37/15/3	125	37	47	32	15	180
89 PU 150/45/15/3	150	45	50	35	15	225
89 PU 160/50/15/3	160	50	60	35	15	250
89 PU 200/50/20/3	200	50	60	42	20	400
with stainless steel roller bearing						
89 PU 080/34/10/3R	80	34	40	26	10	100
89 PU 100/34/10/3R	100	34	40	26	10	140
89 PU 125/37/15/3R	125	37	47	32	15	180
89 PU 150/45/15/3R	150	45	50	35	15	225
89 PU 160/50/15/3R	160	50	60	35	15	250
89 PU 200/50/20/3R	200	50	60	42	20	400

Standard sizes with Keyways / Ratings to 21,560 lbs VULKOLLAN® Tread – Steel Double Welded Core with Keyway



VULKOLLAN® tired heavy duty wheels with grey cast iron core have better properties than Urethane or Elastic Rubber.

- Highest wear resistance
- Highest abrasion and tear resistance
- Longer service life (up to 10 times that of rubber)
- Dynamic load capacity 2.5 times that of rubber (of same dimensions)

TREAD:

VULKOLLAN® properly bonded to the steel core. Hardness 93 Shore A. (other harnesses available)

WHEEL CORE:

Strong steel welded construction with tow fold welded tubular steel core.

For speeds greater than 5 mph (8 kph), VULKOLLAN® treads should be used.

VULKOLLAN® wheels are available for any size caster and hub length

Item #	Diameter (mm)	Tread Width (mm)	Wheel Hub / Length (mm)	Bearing ID (mm)	Load Capacity (lbs)
VUI 178A/100/50/2/25	100	50	50	25	1070
VUI 178A/125/50/2/35	125	50	50	35	1540
VUI 178A/150/50/2/35	150	50	50	35	1540
VUI 178A/160/50/2/35	160	50	50	35	1140
VUI 178A/180/55/2/35	180	55	60	35	2200
VUI 178A/200/50/2/35	200	50	60	35	2200
VUI 178A/200/80/2/50	200	80	80	50	2640
VUI 178A/250/50/2/50	250	50	60	50	2420
VUI 178A/250/80/2/50	250	80	80	50	3740
VUI 178A/300/60/2/50	300	60	65	50	3520

25.4 mm = 1 inch 1 kg = 2.2 lbs



Standard sizes with Keyways / Ratings to 3520 lbs

VULKOLLAN® tired heavy duty wheels with grey cast iron core have better properties than Urethane or Elastic Rubber.

- Highest wear resistance
- Highest abrasion and tear resistance
- Longer service life (up to 10 times that of rubber)
- Dynamic load capacity 2.5 times that of rubber (of same dimensions)

VULKOLLAN® treads should be used for speeds greater than 5 mph (8 kph), VULKOLLAN® treads should be used.

VULKOLLAN® Wheels are available for any size caster and hub length

TRACTOTHAN® is available in both VUI 178/5 and VU 178A Series: Add "AT" after ordering number (i.e. VUI 178/100/50/5/25/AT)

Item #	Diameter (mm)	Tread Width (mm)	Wheel Hub / Length (mm)	Bearing ID (mm)	Load Capacity (lbs)
VUI 178A/100/50/2/25	100	50	50	25	1070
VUI 178A/125/50/2/35	125	50	50	35	1540
VUI 178A/150/50/2/35	150	50	50	35	1540
VUI 178A/160/50/2/35	160	50	50	35	1140
VUI 178A/180/55/2/35	180	55	60	35	2200
VUI 178A/200/50/2/35	200	50	60	35	2200
VUI 178A/200/80/2/50	200	80	80	50	2640
VUI 178A/250/50/2/50	250	50	60	50	2420
VUI 178A/250/80/2/50	250	80	80	50	3740
VUI 178A/300/60/2/50	300	60	65	50	3520

VULKOLLAN® heavy duty wheels with bolt hole fitting

Series 171 / L

Stable welded wheel center with bolt hole fitting. Direct bonded VULKOLLAN® tread.

Artikel Code	mm	mm	mm	mm	mm	mm	mm	kg
	mm	mm	Lochgröße / Anschlusssitz	mm/Loch Ø	Lochkreis Ø	mm	mm	
171/300/075/260/0/067/5L	300	75	5/16,5	67	112	260	240	2000
171/300/100/260/0/067/5L	300	100	5/16,6	67	112	260	240	2500
171/360/075/310/0/160/6L	360	75	6/21,5	160	205	310	290	2500
171/400/100/350/0/160/6L	400	100	6/21,5	160	205	350	330	3500
171/400/120/350/0/160/6L	400	120	6/21,5	160	205	350	326	4000
171/400/150/350/0/160/6L	400	150	6/21,5	160	205	350	326	4300
171/500/100/450/0/160/6L	500	100	6/21,5	160	205	450	420	4500
171/500/120/450/0/160/6L	500	120	6/21,5	160	205	450	420	5000
171/500/150/450/0/160/6L	500	150	6/21,5	160	205	450	420	5700
171/500/200/450/0/160/6L	500	200	6/21,5	160	205	450	420	8000



VULKOLLAN® guiding rollers

Series 173

Roller body made of steel with force-fitted roller bearing (/S).
Direct bonded VULKOLLAN® tread.



Article Code

173/040/015/5/010
173/040/020/5/010
173/040/025/5/010
173/050/015/5/010
173/050/020/5/012
173/055/020/5/012
173/055/020/5/015
173/060/020/5/017
173/060/020/5/020
173/070/020/5/017
173/070/020/5/020
173/070/025/5/020
173/070/025/5/025
173/080/025/5/020
173/080/025/5/025
173/090/025/5/025
173/100/025/5/025
173/120/025/5/020
173/120/025/5/025
173/120/030/5/030
173/125/030/5/020
173/125/030/5/025



mm



mm



mm

type of bearing



mm



mm

mm	mm	mm	type of bearing	mm		mm
40	15	8	6000-2Z	10	S	55
40	20	8	6000-2Z	10	S	70
40	25	8	6000-2Z	10	S	90
50	15	9	6200-2RS	10	S	70
50	20	10	6201-2RS	12	V	90
55	20	10	6201-2RS	12	S	100
55	20	11	6202-2RS	15	S	100
60	20	12	6203-2RS	17	S	110
60	20	12	6004-2RS	20	S	110
70	20	12	6203-2RS	17	S	125
70	20	12	6004-2RS	20	S	125
70	25	14	6204-2RS	20	S	160
70	25	15	6205-2RS	25	S	160
80	25	15	6304-2RS	20	S	180
80	25	15	6205-2RS	25	S	180
90	25	15	6205-2RS	25	S	200
100	25	15	6205-2RS	25	S	225
120	25	15	6304-2RS	20	S	270
120	25	15	6205-2RS	25	S	270
120	30	13	6006-2RS	30	S	320
125	30	30	6004-2RS (2x)	20	-	335
125	30	35	6005-2RS (2x)	25	-	335

S = circlip
V = coulted



Series 130 PA



PEVOLON® conveyor rollers with sealed precision bearings

Roller body made of high-quality thermoplastic polyamide molded around the precision ball bearing (/5).

Article Code	mm	mm	mm	type of bearing	mm	kg
130 PA/030/011/5/08	30	11,0	7,0	608 2Z	8	60
130 PA/040/014,5/5/10	40	14,5	8,0	6000-2Z	10	100
130 PA/040/016/5/15 *	40	16,0	9,0	6002-2RS	15	120
130 PA/040/018,5/5/10	40	18,5	18,5	6000-2RS (2x)	10	140
130 PA/042/014,5/5/10	42	14,5	8,0	6000-2Z	10	110
130 PA/042/014,5/5/12	42	14,5	10,0	6201-2RS	12	110
130 PA/044/016/5/12	44	16,0	8,0	6001-2Z	12	130
130 PA/050/012/5/08 *	50	12,0	7,0	608-2Z	8	110
130 PA/050/015/5/10	50	15,0	9,0	6200-2RS	10	140
130 PA/050/015/5/12	50	15,0	8,0	6001-2RS	12	140
130 PA/050/015/5/12 *	50	15,0	8,0	6001-2Z	12	140
130 PA/050/018/5/12 *	50	18,0	10,0	6201-2RS	12	170
130 PA/050/020/5/12 *	50	20,0	10,0	6201-2RS	12	190
130 PA/054/022/5/12	54	22,0	10,0	6201-2RS	12	230
130 PA/055/025/5/15	55	25,0	9,0	6002-2RS	15	270
130 PA/060/030/5/15	60	30,0	13,0	6302-2RS	15	350
130 PA/062/020/5/12	62	20,0	19,2	6001-2RS (2x)	12	240
130 PA/070/035/5/20 B**	70	35,0	41,0	6204-2ZV (2x)	20	490
130 PA/080/020/5/12	80	20,0	10,0	6201-2RS	12	310
130 PA/080/020/5/15	80	20,0	11,0	6202-2RS	15	310
130 PA/080/020/5/17	80	20,0	12,0	6203-2RS	17	310
130 PA/080/025/5/25	80	25,0	12,0	6005-2RS	25	400
As above, but roller body with reinforcing ribs						
130 PA/065/018,5/5/10	65	18,5	9,0	6200-2RS	10	230
130 PA/065/018,5/5/12	65	18,5	10,0	6201-2RS	12	230
As above, but with wide tread						
130 PA/065/018,5/5/10	65	18,5	9,0	6200-2RS	10	230
130 PA/065/018,5/5/12	65	18,5	10,0	6201-2RS	12	230

* black ** with crowned tread

Series 131 PA



PEVOLON® single flanged rollers with prec. bearing

Roller body made of high-quality thermoplastic polyamide molded around the ball bearing (/5).

Article Code	mm	mm	mm	mm	mm	type of bearing	mm	kg
131 PA/035/10/050/18/5/12	50	35	18	10	8	6001-2RS	12	70
131 PA/050/26,5/090/35/5/12*	90	50	35	26,5	10	6201-2RS	12	270
131 PA/062/19/080/26,5/5/17	80	62	26,5	19	12	6203-2RS	17	240
131 PA/062/19/080/26,5/5/15	80	62	26,5	19	11	6202-2RS	15	240
131 PA/062/19/080/26,5/5/17	80	62	26,5	19	10	6003-2RS	17	240
131 PA/060/20/065/25/5/15*	65	60	25	20	9	6002-2Z	15	240

* with optimized tread

Series 132 PA



PEVOLON® grooved wheels with prec. bearing

Roller body made of high-quality thermoplastic polyamide molded around the ball bearing (/5).

Article Code	mm	mm	mm	mm	mm	type of bearing	mm	kg
132 PA/065/055/018/5/17	65	55	18	83,75	12	6203-2RS	17	75
132 PA/085/075/020/5/10	85	75	20	88	9	6200-2RS	10	200
132 PA/085/075/020/5/12	85	75	20	88	10	6201-2RS	12	200
132 PA/085/075/020/5/20	85	75	20	88	14	6204-2RS	20	200

Roller body made of high-quality thermoplastic polyurethane (96° shore A) molded around the precision ball bearing (5).

PEVOTHAN® conveyor rollers with prec. bearings

Series 130 PU

Artikel Code	mm	mm	mm	type of bearing/	mm	kg
130 PU/030/011/5/08	30	11	7	608-2Z	8	30
130 PU/040/014,5/5/10**	40	14,5	8	6000-2Z	10	50
130 PU/040/016/5/15*	40	16	9	6002-2RS	15	55
130 PU/040/020/5/10	40	20	9	6200-2RS	10	70
130 PU/042/014,5/5/10	42	14,5	8	6000-2Z	10	55
130 PU/042/014,5/5/12	42	14,5	10	6201-2RS	12	55
130 PU/050/015/5/10	50	15	9	6200-2RS	10	70
130 PU/050/015/5/12	50	15	8	6001-2RS	12	70
130 PU/055/025/5/15	55	25	9	6002-2RS	15	110
130 PU/060/018/5/12	60	18	10	6201-2RS	12	90
130 PU/062/020/5/17	62	20	14	6303-2RS	17	110
130 PU/070/025/5/20**	70	25	14	6204-2Z	20	150
130 PU/080/020/5/12	80	20	10	6201-2RS	12	140
130 PU/080/020/5/15	80	20	11	6202-2RS	15	140
130 PU/080/020/5/17	80	20	12	6203-2RS	17	140
130 PU/080/020/5/20	80	20	14	6204-2RS	20	140
130 PU/080/025/5/25	80	25	12	6005-2RS	25	170
As above, but roller body with reinforcing ribs						
130 PU/065/018,5/5/10	65	18,5	9	6200-2RS	10	100
130 PU/065/018,5/5/12	65	18	10	6201-2RS	12	100
As above, but with wide tread						
130 PU/038/028/5/12	38	28	10	6201-2RS	12	80
130 PU/038/038/5/12	38	38	10	6201-2RS	12	110
130 PU/042/028/5/10	42	28	8	6000-2Z	10	90
130 PU/042/028/5/12	42	28	10	6201-2RS	12	90
130 PU/042/038/5/12	42	38	10	6201-2RS	12	130

* - schenkel/Schulter
** - flansch/flansche



Roller body made of high-quality thermoplastic polyurethane (96° shore A) molded around the ball bearing (5).

PEVOTHAN® single flanged rollers with prec. bearing

Series 131 PU

Artikel Code	mm	mm	mm	mm	mm	type of bearing/	mm	kg
131 PU/050/26,5/090/35/5/12	90	50	35	26,5	10	6201-2RS	12	120
131 PU/062/19/080/26,5/5/15	80	62	26,5	19	11	6202-2RS	15	100
131 PU/062/19/080/26,5/5/17	80	62	26,5	19	12	6203-2RS	17	100
131 PU/062/19/080/26,5/5/17	80	62	26,5	19	10	6003-2RS	17	100



PEVOLON® roller body with a non-detachable, mechanically bonded tread made of high quality thermoplastic polyurethane (96°shore A) molded around the ball bearing (5).

PEVOLASTIC® conveyor rollers with prec. bearings

Series 133 PU

Artikel Code	mm	mm	mm	type of bearing/	mm	kg
133 PU/050/020/5/10	50	20	9	6200-2RS	10	90
133 PU/080/027/5/20	80	27	14	6204-2RS	20	190



Serie 174

VULKOLLAN® pallet rollers with ball bearings

Roller body made of steel tube with ball bearings. Direct bonded VULKOLLAN® tread.



Article Code



mm



mm



mm



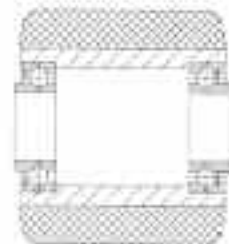
mm



kg

174/80/054/060/20	80	54	60	20	400
174/80/057/059/20	80	57	59	20	400
174/80/057/061/20	80	57	61	20	400
174/80/057/061/25	80	57	61	25	400
174/80/070/074/20	80	70	74	20	450
174/80/100/104/20	80	100	104	20	650
174/82/050/052/20	82	50	52	20	400
174/82/053/055/17	82	53	55	17	400
174/82/065/063/20	82	65	63	20	450
174/82/065/067/20	82	65	67	20	450
174/82/069/062/20	82	69	62	20	500
174/82/070/066/20	82	70	66	20	500
174/82/070/072/20	82	70	72	20	500
174/82/070/074/20	82	70	74	20	500
174/82/072/078/20	82	72	78	20	500
174/82/072/078/20 *	82	72	78	20	500
174/82/082/086/20	82	82	86	20	600
174/82/089/082/20	82	89	82	20	650
174/82/098/105/20	82	98	105	20	700
174/82/098/105/20 *	82	98	105	20	700
174/82/100/095/20	82	100	95	20	700
174/82/100/104/20	82	100	104	20	700
174/85/043/043/20	85	43	43	20	300
174/85/046/048/25	85	46	48	25	350
174/85/046/050/20	85	46	50	20	350
174/85/050/055/25	85	50	55	25	400
174/85/059,5/061,5/17	85	59,5	61,5	17	450
174/85/061/065/20	85	61	65	20	450
174/85/070/063/17	85	70	63	17	500
174/85/075/077/20	85	75	77	20	550
174/85/078/078/20	85	78	78	20	600
174/85/078/080/20	85	78	80	20	600
174/85/080/082/17	85	80	82	17	600
174/85/080/082/25	85	80	82	25	600
174/85/080/084/20	85	80	84	20	600
174/85/080/085/20	85	80	85	20	600
174/85/080/085/25	85	80	85	25	600
174/85/086,5/088,5/17	85	86,5	88,5	17	650
174/85/090/092/25	85	90	92	25	700
174/85/095/100/20	85	95	100	20	750
174/85/100/100/25	85	100	100	25	800
174/85/100/102/17	85	100	102	17	800
174/85/100/102/25	85	100	102	25	800
174/85/100/104/25	85	100	104	25	800
174/85/105/110/25	85	105	110	25	800
174/85/120/124/20	85	120	124	20	900

with oblique seating





VULKOLLAN® pallet rollers with sealed ball bearings

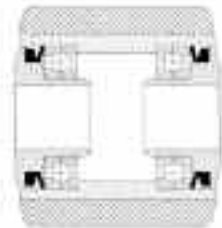
Serie 174 VKS

Roller body made of steel tube with ball bearings. Direct bonded VULKOLLAN® tread. Plastic sealing and V-ring gasket for protection of the ball bearings against splash water and foreign matter.



Online-Catalog

Part No.	mm	mm	mm	mm	kg
174 VKS/80/074/076/13	80	74	76	13	500
174 VKS/80/095/100/20	80	95	100	20	700
174 VKS/82/050/055/20	82	50	55	20	350
174 VKS/82/065/070/20	82	65	70	20	450
174 VKS/82/069/074/20	82	69	74	20	500
174 VKS/82/070/075/20	82	70	75	20	500
174 VKS/82/072/077/17	82	72	77	17	500
174 VKS/82/075/080/20	82	75	80	20	550
174 VKS/85/060/065/12	85	60	65	12	450
174 VKS/85/060/065/20	85	60	65	20	450
174 VKS/85/060/065/25	85	60	65	25	450
174 VKS/85/070/075/20	85	70	75	20	500
174 VKS/85/070/075/25	85	70	75	25	500
174 VKS/85/073/078/20	85	73	78	20	550
174 VKS/85/075/080/20	85	75	80	20	550
174 VKS/85/075/080/25	85	75	80	25	550
174 VKS/85/078/082/12	85	78	82	12	600
174 VKS/85/080/082/17	85	80	82	17	600
174 VKS/85/080/085/12	85	80	85	12	600
174 VKS/85/080/085/20	85	80	85	20	600
174 VKS/85/080/085/25	85	80	85	25	600
174 VKS/85/085/090/12	85	85	90	12	650
174 VKS/85/085/090/20	85	85	90	20	650
174 VKS/85/085/090/25	85	85	90	25	650
174 VKS/85/090/095/20	85	90	95	20	700
174 VKS/85/090/095/25	85	90	95	25	700
174 VKS/85/095/100/17	85	95	100	17	750
174 VKS/85/095/100/20	85	95	100	20	750
174 VKS/85/095/100/25	85	95	100	25	750
174 VKS/85/100/101/20	85	100	101	20	800
174 VKS/85/100/105/20	85	100	105	20	800
174 VKS/85/100/105/25	85	100	105	25	800
174 VKS/85/105/110/12	85	105	110	12	800
174 VKS/85/105/110/20	85	105	110	20	800
174 VKS/85/105/110/25	85	105	110	25	800
174 VKS/85/110/115/25	85	110	115	25	850



Serie 174 PUR

PEVOPUR® pallet rollers with ball bearings

Roller body made of steel tube with ball bearings. Direct bonded PEVOPUR® tread.

PEVOPUR®



File Code



mm



mm



mm



mm



kg

174 PUR/80/054/060/20	80	54	60	20	400
174 PUR/80/057/061/20	80	57	61	20	400
174 PUR/80/057/061/25	80	57	61	25	400
174 PUR/80/061/065/20	80	61	65	20	400
174 PUR/80/070/072/20	80	70	72	20	450
174 PUR/82/062/064/20	82	62	64	20	450
174 PUR/82/066/071/20	82	66	71	20	450
174 PUR/82/068/074/20	82	68	74	20	500
174 PUR/82/070/066/20	82	70	66	20	500
174 PUR/82/070/070/20	82	70	70	20	500
174 PUR/82/070/072/20	82	70	72	20	500
174 PUR/82/070/074/20	82	70	74	20	500
174 PUR/82/072/078/20	82	72	78	20	550
174 PUR/82/078/082/20	82	78	82	20	600
174 PUR/82/089/082/20	82	89	82	20	650
174 PUR/82/090/085/20	82	90	85	20	650
174 PUR/82/091/096/20	82	91	96	20	650
174 PUR/82/096/098/20	82	96	98	20	700
174 PUR/82/098/102/20	82	98	102	20	700
174 PUR/82/098/105/20	82	98	105	20	700
174 PUR/82/100/096/20	82	100	96	20	700
174 PUR/82/100/104/20	82	100	104	20	700
174 PUR/85/046/050/20	85	46	50	20	350
174 PUR/85/060/065/20	85	60	65	20	450
174 PUR/85/063/065/25	85	63	65	25	450
174 PUR/85/070/070/17	85	70	70	17	500
174 PUR/85/070/070/20	85	70	70	20	500
174 PUR/85/075/075/20	85	75	75	20	550
174 PUR/85/078/078/20	85	78	78	20	600
174 PUR/85/078/085/20	85	78	85	20	600
174 PUR/85/080/082/17	85	80	82	17	600
174 PUR/85/080/082/25	85	80	82	25	600
174 PUR/85/080/085/20	85	80	85	20	600
174 PUR/85/082/087,5/25	85	82	87,5	25	600
174 PUR/85/086,5/088,5/17	85	86,5	88,5	17	650
174 PUR/85/090/090/20	85	90	90	20	700
174 PUR/85/090/094/20	85	90	94	20	700
174 PUR/85/095/095/20	85	95	95	20	750
174 PUR/85/095/099/20	85	95	99	20	750
174 PUR/85/100/102/17	85	100	102	17	800
174 PUR/85/100/102/20	85	100	102	20	800
174 PUR/85/105/110/25	85	105	110	25	800
174 PUR/85/110/114/25	85	110	114	25	850



PEVOPUR®

PEVOPUR® pallet rollers with sealed ball bearings

Serie 174 PUR VKS

Roller body made of steel tube with ball bearings. Direct bonded PEVOPUR® tread. Plastic sealing and V-ring gasket for protection of the ball bearings against splash water and foreign matter.



Article Code



mm



mm



mm



mm



kg

Article Code	mm	mm	mm	mm	kg
174 PUR VKS/80/070/074,7/20	80	70	74,7	20	450
174 PUR KS/82/060/064,7/20	82	60	64,7	20	450
174 PUR VKS/82/065/070/20	82	65	70	20	450
174 PUR VKS/82/069/074/20	82	69	74	20	500
174 PUR KS/82/070/074/20	82	70	74	20	500
174 PUR VKS/82/098/102/20	82	98	102	20	700
174 PUR KS/82/100/104,7/20	82	100	104,7	20	700
174 PUR VKS/85/060/065/12	85	60	65	12	450
174 PUR VKS/85/060/065/20	85	60	65	20	450
174 PUR VKS/85/060/065/25	85	60	65	25	450
174 PUR VKS/85/065/070/17	85	65	70	17	500
174 PUR VKS/85/065/070,5/20	85	65	70,5	20	500
174 PUR VKS/85/070/070/20	85	70	70	20	500
174 PUR VKS/85/070/075/12	85	70	75	12	500
174 PUR VKS/85/070/075/20	85	70	75	20	500
174 PUR KS/85/073/078/20	85	73	78	20	550
174 PUR VKS/85/073/078/20	85	73	78	20	550
174 PUR VKS/85/075/080/20	85	75	80	20	550
174 PUR VKS/85/075/080/25	85	75	80	25	550
174 PUR VKS/85/080/085/12	85	80	85	12	600
174 PUR VKS/85/080/085/20	85	80	85	20	600
174 PUR VKS/85/080/085/25	85	80	85	25	600
174 PUR VKS/85/085/090/12	85	85	90	12	650
174 PUR VKS/85/085,5/092/20	85	86,5	92	20	650
174 PUR VKS/85/090/090/20	85	90	90	20	700
174 PUR VKS/85/095/100/20	85	95	100	20	750
174 PUR KS/85/099/104/20	85	99	104	20	800
174 PUR VKS/85/100/102/25	85	100	102	25	800
174 PUR VKS/85/100/105/20	85	100	105	20	800
174 PUR VKS/85/100/105/25	85	100	105	25	800
174 PUR VKS/85/105/110/12	85	105	110	12	800
174 PUR VKS/85/105/110/25	85	105	110	25	800
174 PUR VKS/85/110/115/25	85	110	115	25	850



Serie 179 Z

VULKOLLAN® press-on tyres

Cylindrical VULKOLLAN® press-on tyres with machined steel band. Also available with TRACTOTHAN® tread. Order code: 179 ZT...



Artikel-Code



Ø mm



W mm



d mm

Ø

ZOLL

W
Abmessung in Zoll



See 5 in/6 lb

179 Z/100/032/075
179 Z/100/070/055
179 Z/125/040/075
179 Z/125/050/075
179 Z/150/040/100
179 Z/150/050/100
179 Z/150/065/100
179 Z/150/075/100
179 Z/150/100/085
179 Z/150/130/100
179 Z/160/050/100
179 Z/160/075/100
179 Z/180/050/120
179 Z/180/075/120
179 Z/180/100/105
179 Z/200/050/140
179 Z/200/060/150
179 Z/200/070/140
179 Z/200/075/100
179 Z/200/080/120
179 Z/200/085/105
179 Z/200/105/120
179 Z/230/050/170
179 Z/230/075/170
179 Z/230/085/170
179 Z/250/050/190
179 Z/250/060/190
179 Z/250/075/140
179 Z/250/080/170
179 Z/250/100/170
179 Z/250/105/170
179 Z/250/105/190
179 Z/250/130/140
179 Z/254/076/203
179 Z/254/102/159
179 Z/254/102/165
179 Z/254/127/165
179 Z/260/085/170
179 Z/260/105/170
179 Z/267/089/203
179 Z/285/075/220
179 Z/285/100/200
179 Z/285/100/220
179 Z/285/100/228
179 Z/290/105/185
179 Z/300/050/240
179 Z/300/075/240

100
100
125
125
150
150
150
150
150
150
160
160
180
180
180
200
200
200
200
200
200
200
200
200
200
230
230
230
250
250
250
250
250
250
250
250
250
250
250
250
254
254
254
254
260
260
267
285
285
285
285
290
300
300

32
70
40
50
40
50
65
75
100
130
50
75
50
75
100
60
70
75
80
85
105
50
75
85
50
60
75
80
100
105
105
130
76
102
102
127
85
105
89
75
100
100
100
105
50
75

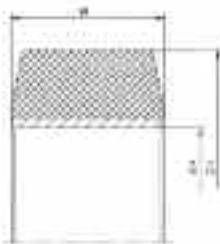
75
55
75
75
100
100
100
100
85
100
100
120
120
105
140
150
140
100
120
105
120
170
170
170
190
190
140
170
170
170
190
140
203
159
165
165
170
170
203
220
200
220
228
185
240
240

10
10
10
10

x 3
x 4
x 4
x 5

x 8
x 6 1/4
x 6 1/2
x 6 1/2

280
600
420
540
520
640
820
960
1.260
1.640
680
1.020
760
1.140
1.520
840
1.020
1.180
1.260
1.360
1.440
1.780
980
1.460
1.660
1.060
1.260
1.580
1.680
2.100
2.220
2.220
2.740
1.640
2.180
2.180
2.720
1.860
2.300
2.000
1.800
2.400
2.400
2.400
2.560
1.260
1.800





VULKOLLAN®-press-on tyres

Serie 179 Z

Cylindrical VULKOLLAN® press-on tyres with machined steel band. Also available with TRACTOTHAN® tread. Order code: 179 ZT...



ZOLL



Artikel Code

D
mm

W
mm

d
mm

D W d
Abmessungen in Zoll

Netto
Gewicht
kg

179 Z/300/090/203
179 Z/300/100/203
179 Z/310/060/220
179 Z/310/120/203
179 Z/310/120/220
179 Z/330/089/203
179 Z/330/089/254
179 Z/330/127/254
179 Z/330/145/193,5
179 Z/343/114/225
179 Z/343/140/203
179 Z/345/115/245
179 Z/350/090/280
179 Z/350/100/280
179 Z/350/110/270
179 Z/350/140/270
179 Z/360/085/270
179 Z/381/127/286
179 Z/381/152/286
179 Z/405/065/305
179 Z/405/130/290
179 Z/405/130/305
179 Z/405/145/290
179 Z/406/178/305
179 Z/415/075/305
179 Z/415/090/305
179 Z/445/178/381
179 Z/457/127/308
179 Z/457/152/308
179 Z/457/178/308
179 Z/457/203/308
179 Z/500/085/370
179 Z/559/152/406
179 Z/559/203/406
179 Z/559/229/406
179 Z/610/150/410
179 Z/645/250/500
179 Z/660/127/508
179 Z/711/178/559
179 Z/711/203/559
179 Z/711/254/559
179 Z/711/305/559
179 Z/750/150/640
179 Z/900/200/670
179 Z/914/254/762
179 Z/920/180/770
179 Z/920/290/770

203
203
220
203
220
203
254
254
193,5
225
203
245
280
280
270
270
270
286
286
305
290
305
290
305
305
305
381
308
308
308
308
370
406
406
406
410
500
508
559
559
559
559
640
670
559
559
559
559
670
762
770
770

13	x 3 1/2	x 8
13	x 3 1/2	x 10
13	x 5	x 10
15	x 5	x 11 1/4
15	x 6	x 11 1/4
17 1/2	x 7	x 15
18	x 5	x 12 1/4
18	x 6	x 12 1/4
18	x 7	x 12 1/4
18	x 8	x 12 1/4
22	x 6	x 16
22	x 8	x 16
22	x 9	x 16
26	x 5	x 20
28	x 7	x 22
28	x 8	x 22
28	x 10	x 22
28	x 12	x 22
36	x 10	x 30

2.160
2.400
1.480
2.980
2.980
2.100
2.350
3.350
3.820
3.120
3.840
3.340
2.600
2.800
3.080
3.920
2.450
3.000
3.500
2.100
3.800
4.000
4.100
5.400
2.500
3.000
6.000
4.650
4.950
5.400
5.800
3.000
5.950
8.000
8.950
6.400
11.300
6.550
8.850
10.100
12.650
15.200
7.880
12.600
16.250
11.600
18.500









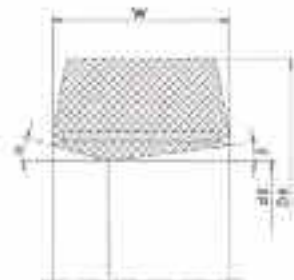
Serie 179 K

VULKOLLAN® press-on tyres

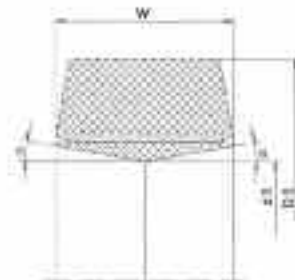
VULKOLLAN® press-on tyres with steel band. With conical base tyre, centre split (km) or laterally split (ks). Also available with TRACTOTHAN® tread. Order code: 179 KT...



					
Artikel-Code	mm	mm	mm		kg
179 K/125/050/075	125	50	75	km 15	540
179 K/150/050/100	150	50	100	km 15	640
179 K/160/050/100	160	50	100	km 15	680
179 K/180/050/120	180	50	120	km 15	760
179 K/180/100/105	180	100	105	km 8	1.520
179 K/200/050/140	200	50	140	km 15	840
179 K/200/085/105	200	85	105	km 15	1.440
179 K/200/085/105 P	200	85	105	km 15	1.440
179 K/250/060/170	250	60	170	km 15	1.260
179 K/260/060/170	260	60	170	km 15	1.320
179 K/285/100/200	285	100	200	km 8	2.400
179 K/300/075/220	300	75	220	km 15	1.800
179 K/300/096/231	300	96	231	ks 23/9	2.300
179 K/310/075/200	310	75	200	km 15	1.860
179 K/310/120/200	310	120	200	ks 15/6	2.980
179 K/343/114/225	343	114	225	km 8	3.120
179 K/343/140/225	343	140	225	ks 15/6	3.840
179 K/406/127/267	406	127	267	ks 15/6	3.850
179 K/406/152/267	406	152	267	ks 15/6	4.600
179 K/406/178/267	406	178	267	ks 15/6	5.400
179 K/500/085/370	500	85	370	km 8	3.000



ks = konischer Reifenfuß
 seitengeteilt (asymmetrisch)
 ks 15/6 = $\alpha 15^\circ, \beta 6^\circ$
 ks 23/9 = $\alpha 23^\circ, \beta 9^\circ$



km = konischer Reifenfuß
 mittigeteilt (symmetrisch)
 km 15 = $\alpha 15^\circ$
 km 8 = $\alpha 8^\circ$

PEVOPUR®

PEVOPUR® press-on tyres

Serie 179 Z PUR

Cylindrical PEVOPUR® press-on tyres with machined steel band.



ArtikelCode

179 Z PUR/150/050/100
 179 Z PUR/150/075/100
 179 Z PUR/180/050/120
 179 Z PUR/180/075/120
 179 Z PUR/190/051/127
 179 Z PUR/200/050/140
 179 Z PUR/200/075/100
 179 Z PUR/230/050/170
 179 Z PUR/230/075/170
 179 Z PUR/230/085/170
 179 Z PUR/250/050/190
 179 Z PUR/250/060/190
 179 Z PUR/250/080/170
 179 Z PUR/250/130/140
 179 Z PUR/254/076/203
 179 Z PUR/254/102/159
 179 Z PUR/254/102/165
 179 Z PUR/254/120/190
 179 Z PUR/254/127/165
 179 Z PUR/260/085/170
 179 Z PUR/265/085/190,2 B
 179 Z PUR/267/089/203
 179 Z PUR/285/100/200
 179 Z PUR/285/100/228
 179 Z PUR/295/100/230
 179 Z PUR/305/076/254
 179 Z PUR/305/127/203
 179 Z PUR/318/076/254
 179 Z PUR/318/089/254
 179 Z PUR/330/089/254
 179 Z PUR/330/140/241,3
 179 Z PUR/330/145/180
 179 Z PUR/330/145/193,5
 179 Z PUR/343/140/203
 179 Z PUR/345/140/245
 179 Z PUR/350/090/280
 179 Z PUR/350/100/280
 179 Z PUR/360/120/220
 179 Z PUR/381/127/286
 179 Z PUR/405/130/305
 179 Z PUR/405/145/290
 179 Z PUR/457/203/308
 179 Z PUR/500/085/370
 179 Z PUR/550/160/410
 179 Z PUR/559/203/406
 179 Z PUR/559/254/406
 179 Z PUR/711/203/559
 179 Z PUR/711/254/559



D
mm



W
mm



d
mm

ZOLL
 B W d
 Abmessungen in Zoll



Netto-Gewicht
kg

									640
									960
									760
									1.140
									800
									840
									1.260
									980
									1.460
									1.660
									1.060
									1.260
									1.680
									2.740
				10	x 3	x B			1.640
				10	x 4	x 6 1/4			2.180
				10	x 4	x 6 1/2			2.180
									2.560
				10	x 5	x 6 1/2			2.720
									1.860
									1.900
				10 1/2	x 3 1/2	x B			2.000
									2.400
									2.400
									2.480
				12	x 3	x 10			1.850
				12	x 5	x 8			3.100
				12 1/2	x 3	x 10			1.920
				12 1/2	x 3 1/2	x 10			2.260
				13	x 3 1/2	x 10			2.350
				13	x 5 1/2	x 9 1/2			3.680
									3.820
									3.820
									3.840
									3.860
									2.600
									2.800
									3.440
				15	x 5	x 11 1/4			3.000
									4.000
									4.100
				18	x 8	x 12 1/4			5.800
									3.000
				22	x 8	x 16			6.000
				22	x 10	x 16			9.900
				28	x 8	x 22			10.100
				28	x 10	x 22			12.650

