

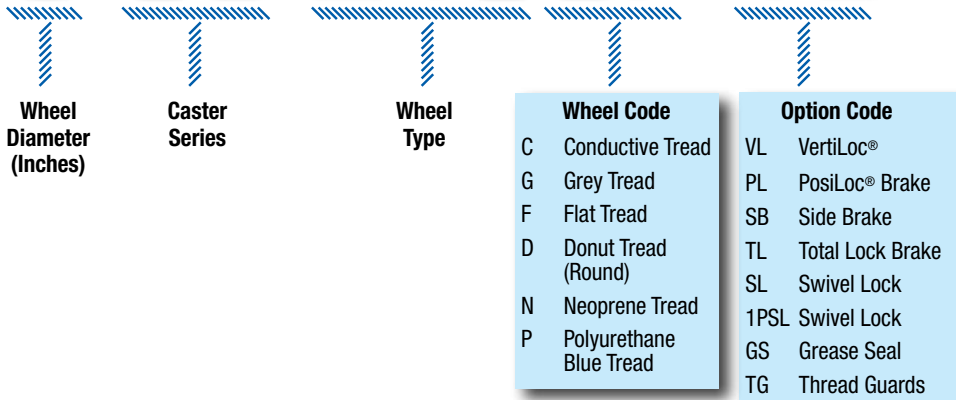


Model Numbers

Casters

Below model is a 5" wheel diameter 30 Series swivel caster with Flat Tread Advantage wheel with VertiLoc® brake.

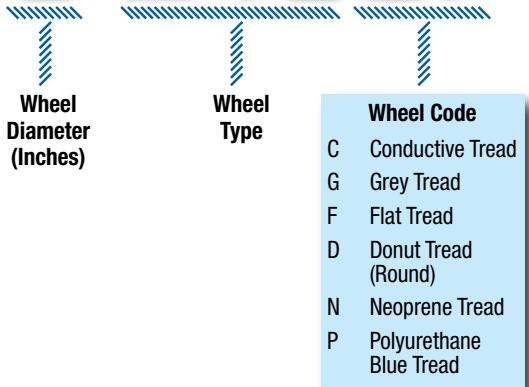
5-30-213GF VL



Wheels

Below model is a 5" wheel diameter Flat Tread Advantage wheel with ball bearing.

5-213GF



Forks

Below model is a 5" diameter 30 Series swivel fork.

5-30-000-PLT 2



Wheel Selection Guide

Wheel Type	Capacity Range Per Wheel	Temperature Range	Hardness	Page Number
CUSHION / SOLID RUBBER	Up to 260 lbs.	-30° to +160° F	75 (±) 5 (A)	74-75
HARD / SOLID RUBBER	Up to 400 lbs.	-30° to +160° F	75 (±) 5 (D)	75
WELDED DISC / RUBBER	Up to 250 lbs.	-40° to +160° F	75 (±) 5 (A)	76
WELDED DISC / POLYURETHANE	Up to 300 lbs.	-40° to +180° F	95 (±) 5 (A)	76
ADVANTAGE TPR (INCLUDING HEAT / HEALTH)	Up to 675 lbs.	-40° to +180° F	65 (±) 5 (A)	77-79
HIGH MODULUS RUBBER	Up to 550 lbs.	-40° to +160° F	65 (±) 5 (A)	81
FULL PNEUMATIC RUBBER	Up to 470 lbs.	-20° to +160° F	-----	81
POLYOLEFIN	Up to 900 lbs.	-20° to +180° F	65 (±) 5 (D)	82
TRITON	Up to 1,500 lbs.	-20° to +180° F	65 (±) 5 (D)	83
HI-TEMP RESIN	Up to 600 lbs.	-20° to +475° F	75 (±) 5 (D)	83
MAGNUM POLYURETHANE	Up to 1200 lbs.	-40° to +180° F	Choices	84
POLYLOC GREY OR BLUE POLYURETHANE	Up to 1,000 lbs.	-30° to +180° F	95 (±) 5 (A)	85-86
SOLID ELASTOMER	Up to 1,250 lbs.	-40° to +230° F	73 (±) 5 (D)	88
MOLDON RUBBER / ALUMINUM CORE	Up to 500 lbs.	-40° to +160° F	75 (±) 5 (A)	80
MOLDON POLYURETHANE / ALUMINUM CORE	Up to 1,200 lbs.	-40° to +160° F	55 (±) 5 (D)	87
MOLDON RUBBER / CAST IRON CORE	Up to 500 lbs.	-40° to +160° F	75 (±) 5 (A)	80
MOLDON POLYURETHANE / CAST IRON CORE	Up to 1,500 lbs.	-30° to +180° F	55 (±) 5 (D)	87
PHENOLIC	Up to 1,400 lbs.	-45° to +250° F	90(±) 5 (D)	89
CAST IRON	Up to 1,500 lbs.	-45° to +250° F	-----	90
DUCTILE	Up to 3,800 lbs.	-45° to +250° F	-----	90
V-GROOVE	Up to 1,000 lbs.	-45° to +250° F	-----	90

Floor Surfaces

Wheel Type	Carpet	Brick	Concrete	Linoleum	Asphalt	Terrazzo	Wood	Smooth Steel	Ribbed Steel	Tile
CUSHION / SOLID RUBBER	✓	✓	✓	✓	✓	✓	✓	✓	✓	✓
HARD / SOLID RUBBER	✓	✓	✓	✓	✓	✓	✓	✓	✓	✓
WELDED DISC / RUBBER	✓	✓	✓	✓	✓	✓	✓	✓	✓	✓
WELDED DISC / POLYURETHANE	✓	✓	✓	✓	✓	✓	✓	✓	✓	✓
ADVANTAGE TPR (INCLUDING HEAT / HEALTH)	✓	✓	✓	✓	✓	✓	✓	✓	✓	✓
HIGH MODULUS RUBBER	✓	✓	✓	✓	✓	✓	✓	✓	✓	✓
FULL PNEUMATIC RUBBER	✓	✓	✓	✓	✓	✓	✓	✓	✓	✓
POLYOLEFIN / TRITON	✓	✓	✓	✓	✓	✓	✓	✓	✓	✓
HI-TEMP RESIN	✓	✓	✓	✓	✓	✓	✓	✓	✓	✓
POLYLOC AND MAGNUM POLYURETHANE	✓	✓	✓	✓	✓	✓	✓	✓	✓	✓
SOLID ELASTOMER	✓	✓	✓	✓	✓	✓	✓	✓	✓	✓
MOLDON RUBBER / ALUMINUM CORE	✓	✓	✓	✓	✓	✓	✓	✓	✓	✓
MOLDON POLYURETHANE / ALUMINUM CORE	✓	✓	✓	✓	✓	✓	✓	✓	✓	✓
MOLDON RUBBER / CAST IRON CORE	✓	✓	✓	✓	✓	✓	✓	✓	✓	✓
MOLDON POLYURETHANE / CAST IRON CORE	✓	✓	✓	✓	✓	✓	✓	✓	✓	✓
CAST IRON / DUCTILE	✓	✓	✓	✓	✓	✓	✓	✓	✓	✓
V-GROOVE	✓	✓	✓	✓	✓	✓	✓	✓	✓	✓

Operating Conditions

Wheel Type	Water	Steam	Mild Chemicals	Oil/Grease	Metal Chips	High Heat > +250°F	Extreme Cold -20°F	Animal Fats	Noise Reduction	Floor Protection	Shock Absorption
CUSHION / SOLID RUBBER	✓	✓	✓	✓	✓	✓	✓	✓	✓	✓	✓
HARD / SOLID RUBBER	✓	✓	✓	✓	✓	✓	✓	✓	✓	✓	✓
WELDED DISC / RUBBER	✓	✓	✓	✓	✓	✓	✓	✓	✓	✓	✓
WELDED DISC / POLYURETHANE	✓	✓	✓	✓	✓	✓	✓	✓	✓	✓	✓
ADVANTAGE TPR (INCLUDING HEAT / HEALTH)	✓	✓	✓	✓	✓	✓	✓	✓	✓	✓	✓
HIGH MODULUS RUBBER	✓	✓	✓	✓	✓	✓	✓	✓	✓	✓	✓
FULL PNEUMATIC RUBBER	✓	✓	✓	✓	✓	✓	✓	✓	✓	✓	✓
POLYOLEFIN / TRITON	✓	✓	✓	✓	✓	✓	✓	✓	✓	✓	✓
HI-TEMP RESIN	✓	✓	✓	✓	✓	✓	✓	✓	✓	✓	✓
POLYLOC AND MAGNUM POLYURETHANE	✓	✓	✓	✓	✓	✓	✓	✓	✓	✓	✓
SOLID ELASTOMER	✓	✓	✓	✓	✓	✓	✓	✓	✓	✓	✓
MOLDON RUBBER / ALUMINUM CORE	✓	✓	✓	✓	✓	✓	✓	✓	✓	✓	✓
MOLDON POLYURETHANE / ALUMINUM CORE	✓	✓	✓	✓	✓	✓	✓	✓	✓	✓	✓
MOLDON RUBBER / CAST IRON CORE	✓	✓	✓	✓	✓	✓	✓	✓	✓	✓	✓
MOLDON POLYURETHANE / CAST IRON CORE	✓	✓	✓	✓	✓	✓	✓	✓	✓	✓	✓
PHENOLIC	✓	✓	✓	✓	✓	✓	✓	✓	✓	✓	✓
CAST IRON / DUCTILE	✓	✓	✓	✓	✓	✓	✓	✓	✓	✓	✓
V-GROOVE	✓	✓	✓	✓	✓	✓	✓	✓	✓	✓	✓

Wheel Bearings



Sintered Iron Bearing

An economical, oil-impregnated bearing suited for light loads or heavier loads that are stationary most of the time. Recommended for applications where rolling ease is not critical or lubrication is difficult.



Plain Bearing

Refers to wheel bearing bore riding directly on spanner bushing or axle. A cost effective bearing used for applications where rolling ease is not important.



Delrin® Bearing

A Dupont engineered plastic, this bearing is well suited to conditions of frequent exposure to water, steam cleaning, liquids and corrosion. Used in pairs, they are self-lubricating and designed to withstand high humidity and high moisture conditions that will rust metal bearings.



Roller Bearing

A popular bearing for wheels from 1-1/2" to 2-1/2" wide and for heavier loads. The roller bearing carries greater loads than same size ball bearing with excellent rolling ease. It has split outer hardened steel raceway into which roller assembly cage is inserted. This bearing must be used on a hardened steel spanner bushing or axle. **Stainless steel roller bearing available—consult factory.**



Flanged Radial Ball Bearing

Non-precision industrial grade bearings are press-fitted into wheel hubs.



Precision Sealed Ball Bearing

For maximum rolling ease with no lubrication required. Integral spanner bushing eliminates need for separate spanner bushing.



Ball Bearing

Recommended for lighter loads where maximum rolling ease is required. Because of minimal ball contact area, ball bearings are the least frictional type of caster wheel bearing. They require less effort to start rolling and keep rolling than other bearing types. Ball bearings are generally factory installed in wheels.

Special Finishes

In addition to our standard zinc and nickel plating, Jarvis offers the industry's largest selection of special plating and finish options. These special finishes can enhance the appearance of your equipment or offer extra protection in harsh environments. Shown below is a representative sampling of a few of these optional finishes. Please consult factory for pricing and availability.



Black Phosphate



Black Powder Coat



Grey Polane



Bright Chrome



Yellow Chromate



Bright Brass

Special Caster Designs

Jarvis specializes in specials. We have a long established reputation for designing and building unique designs that meet our customer's special needs. Below are a few examples of our engineering & manufacturing capabilities.



Low profile shock absorbing caster provides extra cushion ride for important cargo.



Unique tabbed top plate is designed for installation on equipment. Tabs are bent down during installation to secure to equipment.



Highly polished brass finish improves the appearance of food service carts and banquet tables.

Adjustable load height stem caster especially designed for food service equipment. Ring on stem marks maximum adjustment height when mounted on threaded stem equipment leg.



Swivel caster with black oxide finish features both an adjustable load height stem and top plate mounting.



"Waffle" design rigid fork allows for multiple wheel positions.



Heavy duty, shock absorbing casters feature unique Jarvis torsion spring design to provide a smooth ride over rough floors and obstacles. Mag-style wheel adds to the visual appeal of this caster used on heavy duty tool boxes.



Cargo conveyor caster used in inverted position for heavy duty conveyor applications.



Adjustable height leg caster allows for flexible working heights on food service equipment that requires leveling on uneven floors.



Extra long threaded stem caster is designed to meet customer's requirements.



Special 30 Series caster with brake and combination top plate and adjustable stem.



Dual spring ring stem caster is used to connect two mobile racks together for a special customer application.



Extra large, double spring ring square stem holds this 31 Series rigid caster securely in place.



Pneumatic casters with special brass plating are well suited to bellman carts and high-end institutional equipment.



Swivel caster features large top plate with easy-to-reach, foot operated direction lock for straight tracking down long hallways.

L2-L9 Series

Light Duty

Capacity to 75 pounds each

FEATURES

- ✓ **Finish:** nickel plating to resist rust and corrosion.
- ✓ **Swivel Construction:** durable double ball raceway.
- ✓ **Axle:** 1/4" diameter.

CASTER OPTIONS



✓ **Brake:** available on quantity orders—consult factory.



3-L2-201G
(shown in photo)



3-L3-201G
(shown in photo)



3-L4-201G
(shown in photo)



3-L5-101
(shown in photo)



3-L9-201G
(shown in photo)

Consult factory for brake option.

L2 Round Stem

Wheel Diameter (Inches)	Tread Width (Inches)	Wheel Type	Bearing	Capacity (Pounds)	Round Stem Model Number	Load Height (Inches)	Swivel Radius (Inches)
2	13/16	CUSHION RUBBER	PLAIN	75	2-L2-201G	2 1/2	17/8
3		CUSHION RUBBER	PLAIN	75	3-L2-201G	3 1/2	29/16

Stem Size: For metal sockets 7/16" diameter x 1-29/32" long

L3 Spring Ring Stem

Wheel Diameter (Inches)	Tread Width (Inches)	Wheel Type	Bearing	Capacity (Pounds)	Spring Ring Stem Model Number	Load Height (Inches)	Swivel Radius (Inches)
2	13/16	CUSHION RUBBER	PLAIN	75	2-L3-201G	2 1/2	17/8
3		CUSHION RUBBER	PLAIN	75	3-L3-201G	3 1/2	29/16

Stem Size: 7/16" diameter x 1-3/8" long

L4 Threaded Stem

Wheel Diameter (Inches)	Tread Width (Inches)	Wheel Type	Bearing	Capacity (Pounds)	Threaded Stem Model Number	Load Height (Inches)	Swivel Radius (Inches)
2	13/16	CUSHION RUBBER	PLAIN	75	2-L4-201G	2 1/2	17/8
3		CUSHION RUBBER	PLAIN	75	3-L4-201G	3 1/2	29/16

Stem Sizes: to order, specify stem code number and add to end of caster model number (Example: 3-L4-201G **STEM1**)

STEM 1: 5/16" diameter – 18 x 3/4" long

STEM 3: 3/8" diameter – 16 x 1-1/2" long

STEM 2: 3/8" diameter – 16 x 1" long

L5 Ladder Style Stem

Wheel Diameter (Inches)	Tread Width (Inches)	Wheel Type	Bearing	Capacity (Pounds)	Ladder Style Model Number	Load Height (Inches)	Swivel Radius (Inches)
2	13/16	CUSHION BLACK RUBBER	PLAIN	75	2-L5-101	2 1/2	17/8
3		CUSHION BLACK RUBBER	PLAIN	75	3-L5-101	3 1/2	29/16

Stem Size: 5/16" diameter – 18 x 4-3/4" long with 5/8" thread length at top of stem; bottom stem flange is 9/16" diameter x 1-13/16" long

L9 Swivel Top Plate

Wheel Diameter (Inches)	Tread Width (Inches)	Wheel Type	Bearing	Capacity (Pounds)	Swivel Top Plate Model Number	Load Height (Inches)	Swivel Radius (Inches)
2	13/16	CUSHION RUBBER	PLAIN	75	2-L9-201G	2 1/2	17/8
3		CUSHION RUBBER	PLAIN	75	3-L9-201G	3 1/2	29/16

Top Plate Size: 1-3/16" x 2" • **Bolt Hole Spacing:** 13/16" x 1-9/16" • **Mounting Bolt Size:** 3/16" diameter

291 Series

General Duty

Capacity to 400 pounds each

FEATURES

- ✓ **Design:** low profile design for lower equipment height.
- ✓ **Finish:** bright zinc plating to resist rust and corrosion.
- ✓ **Swivel Construction:** large raceways are deeply embossed for extra strength and bearing surface. Special precision kingpin engineered for thrust absorption and long service life.
- ✓ **Axle:** Nut and bolt axles.
 - 2" wheels use 1/4" diameter axle.
 - 2 1/2" wheels use 5/16" diameter axle.
 - 3" wheels use 3/8" axle.
 - 4" wheels use 7/16" diameter axle.

CASTER OPTIONS



✓ **Brake:** available on quantity orders—consult factory.



3-291-106
(shown in photo)

3-292-106
(shown in photo)

MOUNTING OPTIONS

Swivel Casters:

Wheel Diameter (Inches)	Top Plate Size	Bolt Hole Spacing	Mounting Bolt Size
2	1-7/8" x 2-5/8"	15/16" x 2-1/8"	1/4
2-1/2	2-5/8" x 3-3/4"	1-3/4" x 3"	5/16
3	3-1/8" x 4-1/8"	2-3/8" x 3-7/16"	5/16
4	4" x 5"	3" x 4"	3/8

Rigid Casters:

Wheel Diameter (Inches)	Top Plate Size	Bolt Hole Spacing	Mounting Bolt Size
2	1-7/8" x 2-5/8"	15/16" x 2-1/8"	1/4
2-1/2	2-1/8" x 4-3/8"	1-1/16" x 3-15/32"	5/16
3	2-1/2" x 4-7/8"	1-3/16" x 4"	5/16
4	3-1/4" x 6-1/4"	1-3/4" x 5"	3/8

Wheel Diameter (Inches)	Tread Width (Inches)	Wheel Type	Bearing	Capacity (Pounds)	Swivel Caster Model Number	Rigid Caster Model Number	Approximate Weight (Pounds)	Load Height (Inches)	Swivel Radius (Inches)
2	1	CUSHION GREY / SOLID RUBBER	SINTERED	90	2-291-103	2-292-103	3/4	2 1/2	1 11/16
		POLYOLEFIN	PLAIN	120	2-291-501	2-292-501			
		HARD TREAD / SOLID RUBBER	SINTERED	125	2-291-104	2-292-104			
		CAST IRON	PLAIN	125	2-291-120	2-292-120			
2 1/2	1 1/8	CAST IRON	PLAIN	125	2-1/2-291-120	2-1/2-292-120			
3	1 9/32	CUSHION GREY / SOLID RUBBER	DELTRIN	140	3-291-105	3-292-105	1 3/8	3 13/16	2 5/16
		HARD TREAD / SOLID RUBBER	DELTRIN	180	3-291-106	3-292-106			
	1 1/4	CAST IRON	PLAIN	250	3-291-120	3-292-120	2		
		POLYOLEFIN	PLAIN	250	3-291-521	3-292-521			
4	1 5/8	CUSHION GREY / SOLID RUBBER	SINTERED	240	4-291-109	4-292-109	3 1/2	5	2 15/16
		HARD TREAD / SOLID RUBBER	ROLLER	240	4-291-210	4-292-210			
		HARD TREAD / SOLID RUBBER	SINTERED	400	4-291-110	4-292-110			
		CUSHION GREY / SOLID RUBBER	ROLLER	400	4-291-209	4-292-209			
	1 1/2	CAST IRON	PLAIN	400	4-291-130	4-292-130	4 1/2		
		CAST IRON	ROLLER	400	4-291-230	4-292-230			

Business Machine

Dual Wheel


Capacity to 200 pounds each

FEATURES

- ✓ **Design:** low profile design for lower equipment height.
- ✓ **Finish:** bright zinc plating to resist rust and corrosion.
- ✓ **Swivel Construction:** durable double ball raceway.
- ✓ **Axle:** 5/16" diameter nut & bolt.

CASTER OPTIONS

✓  **Hex Head Brake:** to order, add "HHBRK" to end of caster model number.

✓  **Thumb Screw Brake:** to order, add "TSBRK" to end of caster model number.

✓  **Black Oxide Finish:** consult factory.

✓ **Optional plates and stems:** wide variety available—consult factory.

✓ **Swivel Models Less Dust Cap:** consult factory.

✓ **Brass Spring Ring:** available on spring ring stem models (consult factory).



22-30-102-2
(shown in photo)

Swivel Top Plate

Wheel Diameter (Inches)	Tread Width (Inches)	Wheel Type	Bearing	Capacity (Pounds)	Swivel Plate Model Number	Load Height (Inches)	Swivel Radius (Inches)
2" Dual	13/16	CUSHION GREY / SOLID RUBBER	SINTERED	160	22-30-101-2	2 15/16	2
		HARD TREAD / SOLID RUBBER	SINTERED	200	22-30-102-2		
	7/8	POLYOLEFIN	PLAIN	200	22-30-501-2		

Top Plate Size: 2-3/8" x 3-5/8" • **Bolt Hole Centers:** 1-3/4" x 3" • **Mounting Bolt Size:** 5/16" diameter



22-31-102-2
(shown in photo)

Rigid Top Plate

Wheel Diameter (Inches)	Tread Width (Inches)	Wheel Type	Bearing	Capacity (Pounds)	Rigid Plate Model Number	Load Height (Inches)	Swivel Radius (Inches)
2" Dual	13/16	CUSHION GREY / SOLID RUBBER	SINTERED	160	22-31-101-2	2 15/16	N/A
		HARD TREAD / SOLID RUBBER	SINTERED	200	22-31-102-2		
	7/8	POLYOLEFIN	PLAIN	200	22-31-501-2		

Top Plate Size: 2-3/8" x 3-5/8" • **Bolt Hole Centers:** 1-3/4" x 3" • **Mounting Bolt Size:** 5/16" diameter



22-34-102
(shown in photo)

Spring Ring Stem

Wheel Diameter (Inches)	Tread Width (Inches)	Wheel Type	Bearing	Capacity (Pounds)	Spring Ring Model Number	Load Height (Inches)	Swivel Radius (Inches)
2" Dual	13/16	CUSHION GREY / SOLID RUBBER	SINTERED	160	22-34-101	2 3/4	2
		HARD TREAD / SOLID RUBBER	SINTERED	200	22-34-102		
	7/8	POLYOLEFIN	PLAIN	200	22-34-501		

Stem Size: 7/16" diameter x 1-3/8" long. Brass spring ring is available (consult factory).



22-36-102
(shown in photo)

Threaded Stem

Wheel Diameter (Inches)	Tread Width (Inches)	Wheel Type	Bearing	Capacity (Pounds)	Threaded Stem Model Number	Load Height (Inches)	Swivel Radius (Inches)
2" Dual	13/16	CUSHION GREY / SOLID RUBBER	SINTERED	160	22-36-101	2 3/4	2
		HARD TREAD / SOLID RUBBER	SINTERED	200	22-36-102		
	7/8	POLYOLEFIN	PLAIN	200	22-36-501		

Standard Stem Size: 1/2" diameter-13 x 1-3/4" long

Business Machine

Single Wheel

Capacity to 350 pounds each

FEATURES

- ✓ **Design:** low profile design for lower equipment height.
- ✓ **Finish:** bright zinc plating to resist rust and corrosion.
- ✓ **Swivel Construction:** durable double ball raceway.
- ✓ **Axle:** Nut and bolt axle.
2-1/2" wheels use 5/16" diameter axle.
3" wheels use 3/8" diameter axle.

CASTER OPTIONS

- ✓  **VertiLoc® Brake:** Available on 3" models only. To order, add "VL" to end of model number.
- ✓  **PosiLoc® Brake:** Available on 3" models only. To order, add "PL" to end of model number.
- ✓  **Black Oxide Finish:** consult factory.
- ✓ **Optional plates and stems:** wide variety available—consult factory.



Swivel Top Plate

Wheel Diameter (Inches)	Tread Width (Inches)	Wheel Type	Bearing	Capacity (Pounds)	Swivel Plate Model Number	Load Height (Inches)	Swivel Radius (Inches)
2 1/2	1 1/8	POLYOLEFIN	PLAIN	200	2-1/2-25-511-4	3 5/16	2 3/8
	1 3/8	POLYOLEFIN	BALL	350	2-1/2-3A-522-2	3 7/16	2 1/2
3	1 1/4	POLYOLEFIN	PLAIN	300	3-W25-521-4	3 13/16	2 7/8
	1 1/2	PHENOLIC	PLAIN	300	3-W25-121-4	3 13/16	2 7/8

Top Plate Size: 2-3/8" x 3-5/8" • **Bolt Hole Centers:** 1-3/4" x 3" •
Mounting Bolt: 5/16" diameter



Rigid Top Plate

Wheel Diameter (Inches)	Tread Width (Inches)	Wheel Type	Bearing	Capacity (Pounds)	Rigid Plate Model Number	Load Height (Inches)	Swivel Radius (Inches)
3	1 1/4	POLYOLEFIN	PLAIN	300	3-W26-521-4	3 13/16	N/A
	1 1/2	PHENOLIC	PLAIN	300	3-W26-121-4	3 13/16	N/A

Top Plate Size: 2-3/8" x 3-5/8" • **Bolt Hole Centers:** 1-3/4" x 3" •
Mounting Bolt: 5/16" diameter



Spring Ring Stem

Wheel Diameter (Inches)	Tread Width (Inches)	Wheel Type	Bearing	Capacity (Pounds)	Spring Stem Model Number	Load Height (Inches)	Swivel Radius (Inches)
2 1/2	1 1/8	POLYOLEFIN	PLAIN	200	2-1/2-14-511	3 5/16	2 3/8
	1 3/8	POLYOLEFIN	BALL	350	2-1/2-34-522	3 7/16	2 1/2
3	1 1/4	POLYOLEFIN	PLAIN	300	3-W14-521	3 13/16	2 7/8
	1 1/2	PHENOLIC	PLAIN	300	3-W14-121	3 13/16	2 7/8

Stem Size: 7/16" diameter x 1-3/8" long



Threaded Stem

Wheel Diameter (Inches)	Tread Width (Inches)	Wheel Type	Bearing	Capacity (Pounds)	Threaded Stem Model Number	Load Height (Inches)	Swivel Radius (Inches)
2 1/2	1 1/8	POLYOLEFIN	PLAIN	200	2-1/2-13-511	3 5/16	2 3/8
	1 3/8	POLYOLEFIN	BALL	350	2-1/2-36-522	3 7/16	2 1/2
3	1 1/4	POLYOLEFIN	PLAIN	300	3-W13-521	3 13/16	2 7/8
	1 1/2	PHENOLIC	PLAIN	300	3-W13-121	3 13/16	2 7/8

Standard Stem Size: 1/2" diameter-13 x 1-1/2" long

Business Machine

Single Wide Wheel

Capacity to 500 pounds each

FEATURES

- ✓ **Design:** low profile design for lower equipment height.
- ✓ **Finish:** bright zinc plating to resist rust and corrosion.
- ✓ **Swivel Construction:** durable double ball raceway.
- ✓ **Axle:** 3/8" diameter nut & bolt.

CASTER OPTIONS

- ✓  **VertiLoc® Brake:** available on 3" swivel models only. To order, add "VL" to end of model number.
- ✓  **Black Oxide Finish:** consult factory.
- ✓ **Optional plates and stems:** wide variety available—consult factory.

Swivel & Rigid Plate Mounting Options

Mounting Code	Top Plate Size	Bolt Hole Spacing	Mounting Bolt Size
PLT 1	2-3/8" x 3-5/8"	1-3/4" x 3"	1/4"
PLT 2	2-3/8" x 3-5/8"	1-3/4" x 3"	5/16"
PLT 3	3-1/8" x 4-1/8"	2-3/8" x 3-3/8"	5/16"
PLT 4	4" x 4"	3" x 3"	3/8"
PLT 5	3-3/4" x 4-1/2"	2-5/8" x 3-5/8" to 3" x 3"	3/8"

Swivel & Rigid Caster Mounting Options: (Example: 2-1/2-130-222 PLT 2)



3-130-532 PLT 2
(shown in photo)



3-131-532 PLT 5
(shown in photo)



3-134-222
(shown in photo)



3-136-532
(shown in photo)

Swivel Top Plate

Wheel Diameter (Inches)	Tread Width (Inches)	Wheel Type	Bearing	Capacity (Pounds)	Plate Model Number	Load Height (Inches)	Swivel Radius (Inches)
2 1/2	1 13/16	PHENOLIC	ROLLER	400	2-1/2-130-222	3 1/2	2 1/8
		POLYOLEFIN	PLAIN	400	2-1/2-130-531		
		POLYOLEFIN	ROLLER	400	2-1/2-130-532		
3	1 13/16	POLYOLEFIN	ROLLER	500	3-130-532	4	2 3/8
		PHENOLIC	ROLLER	500	3-130-222		

Rigid Top Plate

3	1 13/16	POLYOLEFIN	ROLLER	500	3-131-532	4	N/A
		PHENOLIC	ROLLER	500	3-131-222		N/A

Spring Ring Stem

Wheel Diameter (Inches)	Tread Width (Inches)	Wheel Type	Bearing	Capacity (Pounds)	Spring Stem Model Number	Load Height (Inches)	Swivel Radius (Inches)
2-1/2	1 13/16	PHENOLIC	ROLLER	400	2-1/2-134-222	3 1/2	2 1/8
		POLYOLEFIN	PLAIN	400	2-1/2-134-531	3 1/2	2 1/8
		POLYOLEFIN	ROLLER	400	2-1/2-134-532	3 1/2	2 1/8
3	1 13/16	POLYOLEFIN	ROLLER	500	3-134-532	3 53/64	2 3/8
		PHENOLIC	ROLLER	500	3-134-222	3 53/64	2 3/8

Stem Size: 7/8" diameter x 2-3/16" long

Threaded Stem

Wheel Diameter (Inches)	Tread Width (Inches)	Wheel Type	Bearing	Capacity (Pounds)	Threaded Stem Model Number	Load Height (Inches)	Swivel Radius (Inches)
2-1/2	1 13/16	PHENOLIC	ROLLER	400	2-1/2-136-222	3 3/4	2 1/8
		POLYOLEFIN	PLAIN	400	2-1/2-136-531	3 3/4	2 1/8
		POLYOLEFIN	ROLLER	400	2-1/2-136-532	3 3/4	2 1/8
3	1-13/16	POLYOLEFIN	ROLLER	500	3-136-532	3 7/8	2 3/8
		PHENOLIC	ROLLER	500	3-136-222	3 7/8	2 3/8

Stem Sizes: variety of stem sizes available – consult factory

Business Machine



Single Wide Wheel / Heavy Duty

Capacity to 700 pounds each

FEATURES

- ✓ **Design:** low profile design for lower equipment height.
- ✓ **Finish:** bright zinc plating to resist rust and corrosion.
- ✓ **Swivel Construction:** durable double ball raceway.
- ✓ **Axle:** 3/8" diameter nut & bolt.

CASTER OPTIONS

- ✓  **Hex Head Brake:** to order, add "HHBRK" to end of caster model number.
- ✓  **Thumb Screw Brake:** to order, add "TSBRK" to end of caster model number.
- ✓ **Optional plates and stems:** wide variety available—consult factory.



3-61-532
(shown in photo)

Swivel Top Plate

Wheel Diameter (Inches)	Tread Width (Inches)	Wheel Type	Bearing	Capacity (Pounds)	Swivel Plate Model Number	Load Height (Inches)	Swivel Radius (Inches)
3	1 13/16	POLYOLEFIN PHENOLIC	ROLLER ROLLER	500	3-61-532	4 5/16	3
				700	3-61-222		

Top Plate Size: 3-1/8" x 4-1/8" • **Bolt Hole Centers:** 2-3/8" x 3-3/8" •
Mounting Bolt Size: 3/8" diameter



3-62-532
(shown in photo)

Rigid Top Plate

Wheel Diameter (Inches)	Tread Width (Inches)	Wheel Type	Bearing	Capacity (Pounds)	Rigid Plate Model Number	Load Height (Inches)	Swivel Radius (Inches)
3	1 13/16	POLYOLEFIN PHENOLIC	ROLLER ROLLER	500	3-62-532	4 5/16	N/A
				700	3-62-222		

Top Plate Size: 3-1/8" x 4-1/8" • **Bolt Hole Centers:** 2-3/8" x 3-3/8" •
Mounting Bolt Size: 3/8" diameter

13 Series

Threaded Stem

Capacity to 160 pounds each

FEATURES

- ✓ **Design:** heavy gauge cold rolled steel, formed for strength.
- ✓ **Finish:** bright zinc plating to resist rust and corrosion.
- ✓ **Swivel Construction:** double ball bearing with hardened raceways.
- ✓ **Axle:** 5/16" diameter bolt with lock nut.

CASTER OPTIONS

- ✓ **Bright Nickel Plating:** to order, add "5" to body of model number. (Example: 5-135-103)
- ✓ **VertiLoc® Brake:** to order, add "VL" to end of model number.



5-13-433 STEM 1
(shown in photo)

MOUNTING OPTIONS

13 Series Standard Threaded Stem Sizes: to order, specify stem code number and add to end of caster model number (Example: 5-13-212G **STEM 1**).

Mounting Code	Stem Sizes
STEM 1	3/8" diameter -16 x 1-1/2" long
STEM 2	7/16" diameter - 14 x 1-1/2" long
STEM 3	1/2" diameter - 13 x 1" long
STEM 4	1/2" diameter - 13 x 1-1/2" long
STEM 5	1/2" diameter - 13 x 2-3/4" long



17 Series Standard Pipe Thread Stem Size: To order, change series code to **17** (Example: 5-17-212G).



Stem Size
3/4" pipe thread (1" actual stem diameter)

WHEEL OPTIONS



Wheel Diameter (Inches)	Tread Width (Inches)	Wheel Type	Bearing	Capacity (Pounds)	Threaded Stem Model Number	Approximate Weight (Pounds)	Load Height (Inches)	Swivel Radius (Inches)
3	15/16	CUSHION / SOLID RUBBER	DELTRIN	100	3-13-103	1-1/8	3 5/8	2 3/4
		CUSHION GREY RUBBER W/ SIDE PLATES	DELTRIN	100	3-13-433G			
		TPR TREAD / POLY CORE	PLAIN	125	3-13-201G			
		HARD / SOLID RUBBER	DELTRIN	125	3-13-104			
	1 1/8	POLYOLEFIN	PLAIN	125	3-13-511			
4	15/16	CUSHION / SOLID RUBBER	DELTRIN	115	4-13-103	1-1/2	4 5/8	3 5/16
		CUSHION BLACK RUBBER W/ SIDE PLATES	DELTRIN	115	4-13-433			
		TPR TREAD / POLY CORE	PLAIN	125	4-13-201G			
		HARD / SOLID RUBBER	DELTRIN	140	4-13-104			
	1	POLYOLEFIN	PLAIN	150	4-13-511			
		POLYLOC / GREY	DELTRIN	150	4-13-211G			
		POLYLOC / GREY	BALL	150	4-13-212G			
5	15/16	CUSHION / SOLID RUBBER	DELTRIN	125	5-13-103	1-7/8	5 5/8	4
		CUSHION BLACK RUBBER W/ SIDE PLATES	DELTRIN	125	5-13-433			
		TPR TREAD/ POLY CORE	PLAIN	150	5-13-201G			
		HARD / SOLID RUBBER	DELTRIN	150	5-13-104			
	1	POLYOLEFIN	PLAIN	150	5-13-511			
		POLYLOC / GREY	DELTRIN	160	5-13-211G			
		POLYLOC / GREY	BALL	160	5-13-212G			
		POLYLOC / BLUE	BALL	160	5-13-212P			

14 Series

Spring Ring Stem

Capacity to 160 pounds each

FEATURES

- ✓ **Design:** heavy gauge cold rolled steel, formed for strength.
- ✓ **Finish:** bright zinc plating to resist rust and corrosion.
- ✓ **Swivel Construction:** double ball bearing with hardened raceways.
- ✓ **Axle:** 5/16" diameter bolt with lock nut.

CASTER OPTIONS

- ✓ **Bright Nickel Plating:** to order, add "5" to body of model number. (Example: 5-145-103)
- ✓ **VertiLoc® Brake:** to order, add "VL" to end of model number.



5-14-212P STEM 1
(shown in photo)

MOUNTING OPTIONS

14 Series Standard Stem Sizes: to order, specify stem code number and add to end of caster model number (Example: 5-14-212G **STEM 1**).

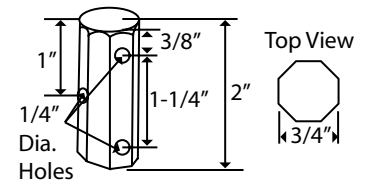
Machined stems available from 1/2" to 1" diameter—consult factory.

Square stems available with drilled holes in sizes .845", .860", .875"—consult factory.

Mounting Code	Stem Sizes
STEM 1	7/16" diameter x 1- 3/8" long
STEM 2	7/16" diameter x 1- 15/16" long



19 Series Standard Octagon Stem Size: 3/4" octagon x 2" long with three cross drilled mounting holes 1/4" diameter. To order, change series code to **19** (Example: 5-19-212G).



WHEEL OPTIONS



Wheel Diameter (Inches)	Tread Width (Inches)	Wheel Type	Bearing	Capacity (Pounds)	Spring Ring Stem Model Number	Approximate Weight (Pounds)	Load Height (Inches)	Swivel Radius (Inches)
3	15/16	CUSHION / SOLID RUBBER	DELRIN	100	3-14-103	1-1/8	3 5/8	2 3/4
		CUSHION GREY RUBBER W/ SIDE PLATES	DELRIN	100	3-14-433G			
		TPR TREAD/ POLY	PLAIN	125	3-14-201G			
		HARD / SOLID RUBBER	DELRIN	125	3-14-104			
	1 1/8	POLYOLEFIN	PLAIN	125	3-14-511			
4	15/16	CUSHION / SOLID RUBBER	DELRIN	115	4-14-103	1-1/2	4 5/8	3 5/16
		CUSHION BLACK RUBBER W/ SIDE PLATES	DELRIN	115	4-14-433			
		TPR TREAD/ POLY	PLAIN	125	4-14-201G			
		HARD / SOLID RUBBER	DELRIN	140	4-14-104			
	1	POLYOLEFIN	PLAIN	150	4-14-511			
		POLYLOC / GREY	DELRIN	150	4-14-211G			
		POLYLOC / GREY	BALL	150	4-14-212G			
5	15/16	CUSHION / SOLID RUBBER	DELRIN	125	5-14-103	1-7/8	5 5/8	4
		CUSHION BLACK RUBBER W/ SIDE PLATES	DELRIN	125	5-14-433			
		TPR TREAD/ POLY	PLAIN	125	5-14-201G			
		HARD / SOLID RUBBER	DELRIN	150	5-14-104			
	1	POLYOLEFIN	PLAIN	150	5-14-511			
		POLYLOC / GREY	DELRIN	160	5-14-211G			
		POLYLOC / GREY	BALL	160	5-14-212G			
		POLYLOC / BLUE	BALL	160	5-14-212P			

25 Series

Swivel & Rigid Top Plate

Capacity to 160 pounds each

FEATURES

- ✓ **Design:** heavy gauge cold rolled steel, formed for strength.
- ✓ **Finish:** bright zinc plating to resist rust and corrosion.
- ✓ **Swivel Construction:** double ball bearing with hardened raceways.
- ✓ **Axle:** 5/16" diameter bolt with lock nut.

CASTER OPTIONS

- ✓ **Bright Nickel Plating:** to order, add "5" to body of model number. (Example: 5-255-103)
- ✓ **VertiLoc® Brake:** to order, add "VL" to end of model number.



5-25-103 PLT 4
(shown in photo)



5-26-212P PLT 4
(shown in photo)

MOUNTING OPTIONS

Top Plate Sizes: to order, add Plate Mounting Code to end of model number. (Example: 5-25-103 PLT 1). Note: Rigid casters available in PLT 4 only.

Mounting Code	Top Plate Size	Bolt Hole Spacing	Mounting Bolt Size
PLT 2	1-3/4" x 3"	1" x 2-1/4"	1/4"
PLT 4	2-3/8" x 3-5/8"	1-3/4" x 3"	5/16"

WHEEL OPTIONS



Cushion or Hard Rubber Cushion Grey Rubber w/ Side Plates Cushion Black Rubber w/Side Plates TPR Tread on Polyolefin Core Polyolefin PolyLoc Grey PolyLoc Blue

Wheel Diameter (Inches)	Tread Width (Inches)	Wheel Type	Bearing	Capacity (Pounds)	Swivel Caster Model Number	Rigid Caster Model Number	Approximate Weight (Pounds)	Load Height (Inches)	Swivel Radius (Inches)
3	15/16	CUSHION / SOLID RUBBER	DELRIN	100	3-25-103	3-26-103	1-1/8	3 7/8	2 3/4
		CUSHION GREY RUBBER W/ SIDE PLATES	DELRIN	100	3-25-433G	3-26-433G			
		TPR TREAD / POLY	PLAIN	125	3-25-201G	3-26-201G			
		HARD / SOLID RUBBER	DELRIN	125	3-25-104	3-26-104			
	POLYOLEFIN	PLAIN	125	3-25-511	3-26-511				
1 1/8									
4	15/16	CUSHION / SOLID RUBBER	DELRIN	115	4-25-103	4-26-103	1-1/2	4 3/4	3 5/16
		CUSHION BLACK RUBBER W/ SIDE PLATES	DELRIN	115	4-25-433	4-26-433			
		TPR TREAD / POLY	PLAIN	125	4-25-201G	4-26-201G			
		HARD / SOLID RUBBER	DELRIN	140	4-25-104	4-26-104			
	1	POLYOLEFIN	PLAIN	150	4-25-511	4-26-511			
		POLYLOC / GREY	DELRIN	150	4-25-211G	4-26-211G			
		POLYLOC / GREY	BALL	150	4-25-212G	4-26-212G			
		POLYLOC / BLUE	BALL	150	4-25-212P	4-26-212P			
5	15/16	CUSHION / SOLID RUBBER	DELRIN	125	5-25-103	5-26-103	1-7/8	5 7/8	4
		CUSHION BLACK RUBBER W/ SIDE PLATES	DELRIN	125	5-25-433	5-26-433			
		TPR TREAD / POLY	PLAIN	125	5-25-201G	5-26-201G			
		HARD / SOLID RUBBER	DELRIN	150	5-25-104	5-26-104			
	1	POLYOLEFIN	PLAIN	150	5-25-511	5-26-511			
		POLYLOC / GREY	DELRIN	160	5-25-211G	5-26-211G			
		POLYLOC / GREY	BALL	160	5-25-212G	5-26-212G			
		POLYLOC / BLUE	BALL	160	5-25-212P	5-26-212P			

27 Series

Expanding Adapter Stem

Capacity to 160 pounds each

FEATURES

- ✓ **Design:** heavy gauge cold rolled steel, formed for strength.
- ✓ **Finish:** bright zinc plating to resist rust and corrosion.
- ✓ **Swivel Construction:** double ball bearing with hardened raceways.
- ✓ **Axle:** 5/16" diameter bolt with lock nut.

CASTER OPTIONS

- ✓ **Bright Nickel Plating:** to order, add "5" to body of model number. (Example: 5-275-103)

- ✓ **VertiLoc® Brake:** to order, add "VL" to end of model number.



5-27-433 19A
(shown in photo)

MOUNTING OPTIONS

Rubber bushing expands inside of tubing as hex shaped lower raceway is turned with wrench. Plastic bushing on bottom of stem provides stability for stem inside of tubing for tight, permanent fit.

See chart at right for adapter sizes and matching tube sizes. To order, add adapter number to end of model number (example: 5-27-103 **19A**).

Threaded stem size (less adapter): 1/2" diameter x 2- 3/4" long.

Adapter Number	Tubing I.D. (inches)
9	3/4"
11	7/8"
13	1"
15	1-1/8"
17 B	1-3/16"
19 C	1-3/8"
19 A	1-1/2"
21	1-7/8"

WHEEL OPTIONS



Wheel Diameter (Inches)	Tread Width (Inches)	Wheel Type	Bearing	Capacity (Pounds)	Expanding Adapter Model Number	Approximate Weight (Pounds)	Load Height (Inches)	Swivel Radius (Inches)
3	15/16	CUSHION / SOLID RUBBER	DELRIN	100	3-27-103	1-1/8	3 5/8	2 3/4
		CUSHION GREY RUBBER W/ SIDE PLATES	DELRIN	100	3-27-433G			
		TPR TREAD / POLY	PLAIN	125	3-27-201G			
		HARD / SOLID RUBBER	DELRIN	125	3-27-104			
	1 1/8	POLYOLEFIN	PLAIN	125	3-27-511			
4	15/16	CUSHION / SOLID RUBBER	DELRIN	115	4-27-103	1-1/2	4 5/8	3 5/16
		CUSHION BLACK RUBBER W/ SIDE PLATES	DELRIN	115	4-27-433			
		TPR TREAD / POLY	PLAIN	125	4-27-201G			
		HARD / SOLID RUBBER	DELRIN	140	4-27-104			
	1	POLYOLEFIN	PLAIN	150	4-27-511			
		POLYLOC / GREY	DELRIN	150	4-27-211G			
		POLYLOC / GREY	BALL	150	4-27-212G			
5	15/16	CUSHION / SOLID RUBBER	DELRIN	125	5-27-103	1-7/8	5 5/8	4
		CUSHION BLACK RUBBER W/ SIDE PLATES	DELRIN	125	5-27-433			
		TPR TREAD / POLY	PLAIN	125	5-27-201G			
		HARD / SOLID RUBBER	DELRIN	150	5-27-104			
	1	POLYOLEFIN	PLAIN	150	5-27-511			
		POLYLOC / GREY	DELRIN	160	5-27-211G			
		POLYLOC / GREY	BALL	160	5-27-212G			
		POLYLOC / BLUE	BALL	160	5-27-212P			

28 Series

Hollow Kingpin

Capacity to 160 pounds each

FEATURES

- ✓ **Design:** heavy gauge cold rolled steel, formed for strength.
- ✓ **Finish:** bright zinc plating to resist rust and corrosion.
- ✓ **Swivel Construction:** double ball bearing with hardened raceways.
- ✓ **Axle:** 5/16" diameter bolt with lock nut.

CASTER OPTIONS

- ✓ **Bright Nickel Plating:** to order, add "5" to body of model number. (Example: 5-285-103)

- ✓ **VertiLoc® Brake:** to order, add "VL" to end of model number.



5-28-212G
(shown in photo)

MOUNTING OPTIONS

Hollow kingpin casters are designed to accept a 3/8" diameter bolt or other stem type.

WHEEL OPTIONS



Cushion or Hard Rubber

Cushion Grey Rubber w/ Side Plates

Cushion Black Rubber w/Side Plates

TPR Tread on Polyolefin Core

Polyolefin

PolyLoc Grey

PolyLoc Blue

Wheel Diameter (Inches)	Tread Width (Inches)	Wheel Type	Bearing	Capacity (Pounds)	Hollow Kingpin Model Number	Approximate Weight (Pounds)	Load Height (Inches)	Swivel Radius (Inches)
3	15/16	CUSHION / SOLID RUBBER	DELRIN	100	3-28-103	1-1/8	3 5/8	2 3/4
		CUSHION GREY RUBBER W/ SIDE PLATES	DELRIN	100	3-28-433G			
		TPR TREAD / POLY	PLAIN	125	3-28-201G			
		HARD / SOLID RUBBER	DELRIN	125	3-28-104			
	1 1/8	POLYOLEFIN	PLAIN	125	3-28-511			
4	15/16	CUSHION / SOLID RUBBER	DELRIN	115	4-28-103	1-1/2	4 5/8	3 5/16
		CUSHION BLACK RUBBER W/ SIDE PLATES	DELRIN	115	4-28-433			
		TPR TREAD / POLY	PLAIN	125	4-28-201G			
		HARD / SOLID RUBBER	DELRIN	140	4-28-104			
	1	POLYOLEFIN	PLAIN	150	4-28-511			
		POLYLOC / GREY	DELRIN	150	4-28-211G			
		POLYLOC / GREY	BALL	150	4-28-212G			
		POLYLOC / BLUE	BALL	150	4-28-212P			
5	15/16	CUSHION / SOLID RUBBER	DELRIN	125	5-28-103	1-7/8	5 5/8	4
		CUSHION BLACK RUBBER W/ SIDE PLATES	DELRIN	125	5-28-433			
		TPR TREAD / POLY	PLAIN	125	5-28-201G			
		HARD / SOLID RUBBER	DELRIN	150	5-28-104			
	1	POLYOLEFIN	PLAIN	150	5-28-511			
		POLYLOC / GREY	DELRIN	160	5-28-211G			
		POLYLOC / GREY	BALL	160	5-28-212G			
		POLYLOC / BLUE	BALL	160	5-28-212P			

W13 Series

Threaded Stem

Capacity to 220 pounds each



5-W13-105 STEM 1
(shown in photo)

FEATURES

- ✓ **Design:** heavy gauge cold rolled steel, formed for strength.
- ✓ **Finish:** bright zinc plating to resist rust and corrosion.
- ✓ **Swivel Construction:** double ball bearing with hardened raceways.
- ✓ **Axle:** 3/8" diameter bolt with lock nut.

CASTER OPTIONS

- ✓ **Bright Nickel Plating:** to order, add "5" to body of model number. (Example: 5-W135-103)

- ✓ **PosiLoc® Brake:** all stainless steel construction. To order, add "PL" to end of model number (not available on 2-1/2" wheel models).



- ✓ **VertiLoc® Brake:** to order, add "VL" to end of model number.



MOUNTING OPTIONS

W13 Standard Stem Sizes: to order, specify stem code number and add to end of caster model number (Example: 5-W13-213G **STEM 1**).

Mounting Code	Stem Sizes
STEM 1	3/8" diameter - 16 x 1-1/2" long
STEM 2	7/16" diameter - 14 x 1-1/2" long
STEM 3	1/2" diameter - 13 x 1" long
STEM 4	1/2" diameter - 13 x 1-1/2" long
STEM 5	1/2" diameter - 13 x 2-3/4" long

W17 Pipe Thread Standard Stem Size: 3/4" pipe thread (1" actual stem diameter). To order change series code to **W17** (Example: 5-W17-213G).



WHEEL OPTIONS



Wheel Diameter (Inches)	Tread Width (Inches)	Wheel Type	Bearing	Capacity (Pounds)	Threaded Stem Model Number	Approximate Weight (Pounds)	Load Height (Inches)	Swivel Radius (Inches)
3	1 1/4	CUSHION RUBBER	DELRIN	110	3-W13-105	1-3/4	3 5/8	2 3/4
		CUSHION RUBBER	BALL	110	3-W13-152	1-3/4		
		HARD RUBBER	DELRIN	160	3-W13-106	1-3/4		
		HARD RUBBER	BALL	160	3-W13-162	1-3/4		
		POLYOLEFIN	PLAIN	180	3-W13-521	1-3/4		
	1 1/2	PHENOLIC	PLAIN	220	3-W13-121	1-3/4		
4	1 1/4	CUSHION RUBBER	DELRIN	120	4-W13-105	2-3/8	4 5/8	3 5/16
		CUSHION RUBBER W/ SIDE PLATES	BALL	120	4-W13-452	2-3/8		
		WELDED DISC / BLACK RUBBER	BALL	150	4-W13-113	2-1/2		
		WELDED DISC / GREY RUBBER	BALL	150	4-W13-113G	2-1/2		
		HARD RUBBER	DELRIN	180	4-W13-106	2-3/8		
		HARD RUBBER W/ SIDE PLATES	BALL	180	4-W13-462	2-3/8		
		ADVANTAGE TPR / ROUND ¹	BALL	180	4-W13-213GD	2-1/2		
		WELDED DISC / POLYURETHANE	BALL	200	4-W13-113P	2-1/2		
		POLYLOC / GREY ²	BALL	200	4-W13-213G	2-1/2		
		POLYLOC / BLUE	BALL	200	4-W13-213P	2-1/2		
		POLYOLEFIN	PLAIN	200	4-W13-513	2-1/2		
		ADVANTAGE TPR / FLAT ³	BALL	220	4-W13-213GF	2-1/2		
		ADVANTAGE HEAT ROUND	SS BALL	220	4-W13-213RTR	2-1/2		
		ADVANTAGE HEAT FLAT	SS BALL	220	4-W13-213RTF	2-1/2		
	ADVANTAGE HEALTH	SS BALL	220	4-W13-213MF	2-1/2			
1 1/2	PHENOLIC	PLAIN	220	4-W13-121	2-1/2			
5	1 1/4	CUSHION RUBBER	DELRIN	150	5-W13-105	2-3/4	5 5/8	4
		CONDUCTIVE CUSHION RUBBER	SINTERED	150	5-W13-105C	2-3/4		
		CUSHION RUBBER	BALL	150	5-W13-152	2-3/4		
		CUSHION RUBBER W/ SIDE PLATES	BALL	150	5-W13-452	2-3/4		
		WELDED DISC / BLACK RUBBER	BALL	150	5-W13-113	3		
		WELDED DISC / GREY RUBBER	BALL	150	5-W13-113G	3		
		ADVANTAGE TPR / ROUND ¹	BALL	180	5-W13-213GD	3		
		HARD RUBBER	DELRIN	200	5-W13-106	2-3/4		
		HARD RUBBER	BALL	200	5-W13-162	2-3/4		
		HARD RUBBER W/ SIDE PLATES	BALL	220	5-W13-462	2-3/4		
		WELDED DISC / POLYURETHANE	BALL	220	5-W13-113P	3		
		POLYLOC / GREY ²	BALL	220	5-W13-213G	3		
		POLYLOC / BLUE	BALL	220	5-W13-213P	3		
		POLYOLEFIN	PLAIN	220	5-W13-513	3		
		POLYOLEFIN	BALL	220	5-W13-514	3		
		ADVANTAGE TPR / FLAT ³	BALL	220	5-W13-213GF	3		
		ADVANTAGE HEAT ROUND	SS BALL	220	5-W13-213RTR	3		
		ADVANTAGE HEAT FLAT	SS BALL	220	5-W13-213RTF	3		
		ADVANTAGE HEALTH	SS BALL	220	5-W13-213MF	3		
	1 1/2	PHENOLIC	PLAIN	220	5-W13-121	3		

¹For delrin bearing change wheel code to 314GD. ²For delrin bearing change wheel code to 314G.

³For delrin bearing change wheel code to 314GF.

W14 Series

Spring Ring Stem

Capacity to 220 pounds each





5-W14-213GD STEM 1
(shown in photo)

FEATURES

- ✓ **Design:** heavy gauge cold rolled steel, formed for strength.
- ✓ **Finish:** bright zinc plating to resist rust and corrosion.
- ✓ **Swivel Construction:** double ball bearing with hardened raceways.
- ✓ **Axle:** 3/8" diameter bolt with lock nut.

CASTER OPTIONS

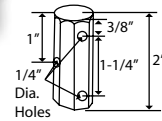
- ✓ **Bright Nickel Plating:** to order, add "5" to body of model number. (Example: 5-W145-103)
- ✓ **PosiLoc® Brake:** all stainless steel construction. To order, add "PL" to end of model number (not available on 2-1/2" wheel models). 
- ✓ **VertiLoc® Brake:** to order, add "VL" to end of model number. 

MOUNTING OPTIONS

W14 Spring Ring Stem Sizes: to order, specify stem code number and add to end of caster model number (Example: 5-W14-213GD **STEM 1**). Machined stems and square stems available.

Mounting Code	Stem Sizes
STEM 1	7/16" diameter x 1 - 3/8" long
STEM 2	7/16" diameter x 1 - 15/16" long

W19 Octagon Stem Size: 3/4" octagon x 2" long with three cross drilled mounting holes 1/4" dia. To order change series code to **W17** (Example: 5-**W19**-213G).



WHEEL OPTIONS



Wheel Diameter (Inches)	Tread Width (Inches)	Wheel Type	Bearing	Capacity (Pounds)	Spring Ring Model Number	Approximate Weight (Pounds)	Load Height (Inches)	Swivel Radius (Inches)
3	1 1/4	CUSHION RUBBER	DELIRIN	110	3-W14-105	1-3/4	3 5/8	2 3/4
		CUSHION RUBBER	BALL	110	3-W14-152	1-3/4		
		HARD RUBBER	DELIRIN	160	3-W14-106	1-3/4		
		HARD RUBBER	BALL	160	3-W14-162	1-3/4		
		POLYOLEFIN	PLAIN	180	3-W14-521	1-3/4		
	1 1/2	PHENOLIC	PLAIN	220	3-W14-121	1-3/4		
4	1 1/4	CUSHION RUBBER	DELIRIN	120	4-W14-105	2-3/8	4 5/8	3 5/16
		CUSHION RUBBER W/ SIDE PLATES	BALL	120	4-W14-452	2-3/8		
		WELDED DISC / BLACK RUBBER	BALL	150	4-W14-113	2-1/2		
		WELDED DISC / GREY RUBBER	BALL	150	4-W14-113G	2-1/2		
		HARD RUBBER	DELIRIN	180	4-W14-106	2-3/8		
		HARD RUBBER W/ SIDE PLATES	BALL	180	4-W14-462	2-3/8		
		ADVANTAGE TPR / ROUND ¹	BALL	180	4-W14-213GD	2-1/2		
		WELDED DISC / POLYURETHANE	BALL	200	4-W14-113P	2-1/2		
		POLYLOC / GREY ²	BALL	200	4-W14-213G	2-1/2		
		POLYLOC / BLUE	BALL	200	4-W14-213P	2-1/2		
		POLYOLEFIN	PLAIN	200	4-W14-513	2-1/2		
		ADVANTAGE TPR / FLAT ³	BALL	220	4-W14-213GF	2-1/2		
		ADVANTAGE HEAT ROUND	SS BALL	220	4-W14-213RTR	2-1/2		
		ADVANTAGE HEAT FLAT	SS BALL	220	4-W14-213RTF	2-1/2		
	ADVANTAGE HEALTH	SS BALL	220	4-W14-213MF	2-1/2			
1 1/2	PHENOLIC	PLAIN	220	4-W14-121	2-1/2			
5	1 1/4	CUSHION RUBBER	DELIRIN	150	5-W14-105	2-3/4	5 5/8	4
		CONDUCTIVE CUSHION RUBBER	SINTERED	150	5-W14-105C	2-3/4		
		CUSHION RUBBER	BALL	150	5-W14-152	2-3/4		
		CUSHION RUBBER W/ SIDE PLATES	BALL	150	5-W14-452	2-3/4		
		WELDED DISC / BLACK RUBBER	BALL	150	5-W14-113	3		
		WELDED DISC / GREY RUBBER	BALL	150	5-W14-113G	3		
		ADVANTAGE TPR / ROUND ¹	BALL	180	5-W14-213GD	3		
		HARD RUBBER	DELIRIN	200	5-W14-106	2-3/4		
		HARD RUBBER	BALL	200	5-W14-162	2-3/4		
		HARD RUBBER W/ SIDE PLATES	BALL	220	5-W14-462	2-3/4		
		WELDED DISC / POLYURETHANE	BALL	220	5-W14-113P	3		
		POLYLOC / GREY ²	BALL	220	5-W14-213G	3		
		POLYLOC / BLUE	BALL	220	5-W14-213P	3		
		POLYOLEFIN	PLAIN	220	5-W14-513	3		
		POLYOLEFIN	BALL	220	5-W14-514	3		
		ADVANTAGE TPR / FLAT ³	BALL	220	5-W14-213GF	3		
		ADVANTAGE HEAT ROUND	SS BALL	220	5-W14-213RTR	3		
		ADVANTAGE HEAT FLAT	SS BALL	220	5-W14-213RTF	3		
		ADVANTAGE HEALTH	SS BALL	220	5-W14-213MF	3		
	1 1/2	PHENOLIC	PLAIN	220	5-W14-121	3		

¹For delrin bearing change wheel code to 314GD. ²For delrin bearing change wheel code to 314G.

³For delrin bearing change wheel code to 314GF.

W25 Series

Swivel Top Plate

Capacity to 220 pounds each





5-W25-513 PLT 2
(shown in photo)

FEATURES

- ✓ **Design:** heavy gauge cold rolled steel, formed for strength.
- ✓ **Finish:** bright zinc plating to resist rust and corrosion.
- ✓ **Swivel Construction:** double ball bearing with hardened raceways.
- ✓ **Axle:** 3/8" diameter bolt with lock nut.

CASTER OPTIONS

- ✓ **Bright Nickel Plating:** to order, add "5" to body of model number. (Example: 5-W255-103)
- ✓ **PosiLoc® Brake:** all stainless steel construction. To order, add "PL" to end of model number (not available on 2-1/2" wheel models). 
- ✓ **VertiLoc® Brake:** to order, add "VL" to end of model number. 

MOUNTING OPTIONS

Top Plate Sizes: to order, add Plate Mounting Code to end of model number. (Example: 5-W25-103 **PLT 2**). Note: Rigid casters available in **PLT 4** only.

Mounting Code	Top Plate Size	Bolt Hole Spacing	Mounting Bolt Size
PLT 1	2-7/16" x 2-7/16"	1-3/4" x 1-3/4"	1/4"
PLT 2	1-3/4" x 3"	1" x 2-1/4"	1/4"
PLT 4	2-3/8" x 3-5/8"	1-3/4" x 3"	5/16"

WHEEL OPTIONS



Wheel Diameter (Inches)	Tread Width (Inches)	Wheel Type	Bearing	Capacity (Pounds)	Swivel Top Plate Model Number	Approximate Weight (Pounds)	Load Height (Inches)	Swivel Radius (Inches)
3	1 1/4	CUSHION RUBBER	DELIRIN	110	3-W25-105	1-3/4	4 1/8	3
		CUSHION RUBBER	BALL	110	3-W25-152	1-3/4		
		HARD RUBBER	DELIRIN	160	3-W25-106	1-3/4		
		HARD RUBBER	BALL	160	3-W25-162	1-3/4		
		POLYOLEFIN	PLAIN	180	3-W25-521	1-3/4		
	1 1/2	PHENOLIC	PLAIN	220	3-W25-121	1-3/4		
4	1 1/4	CUSHION RUBBER	DELIRIN	120	4-W25-105	2-3/8	5 1/8	3 1/2
		CUSHION RUBBER W/ SIDE PLATES	BALL	120	4-W25-452	2-3/8		
		WELDED DISC / BLACK RUBBER	BALL	150	4-W25-113	2-1/2		
		WELDED DISC / GREY RUBBER	BALL	150	4-W25-113G	2-1/2		
		HARD RUBBER	DELIRIN	180	4-W25-106	2-3/8		
		HARD RUBBER W/ SIDE PLATES	BALL	180	4-W25-462	2-3/8		
		ADVANTAGE TPR / ROUND ¹	BALL	180	4-W25-213GD	2-1/2		
		WELDED DISC / POLYURETHANE	BALL	200	4-W25-113P	2-1/2		
		POLYLOC / GREY ²	BALL	200	4-W25-213G	2-1/2		
		POLYLOC / BLUE	BALL	200	4-W25-213P	2-1/2		
		POLYOLEFIN	PLAIN	200	4-W25-513	2-1/2		
		ADVANTAGE TPR / FLAT ³	BALL	220	4-W25-213GF	2-1/2		
		ADVANTAGE HEAT ROUND	SS BALL	220	4-W25-213RTR	2-1/2		
	ADVANTAGE HEAT FLAT	SS BALL	220	4-W25-213RTF	2-1/2			
ADVANTAGE HEALTH	SS BALL	220	4-W25-213MF	2-1/2				
1 1/2	PHENOLIC	PLAIN	220	4-W25-121	2-1/2			
5	1 1/4	CUSHION RUBBER	DELIRIN	150	5-W25-105	2-3/4	6 1/4	4
		CONDUCTIVE CUSHION RUBBER	SINTERED	150	5-W25-105C	2-3/4		
		CUSHION RUBBER	BALL	150	5-W25-152	2-3/4		
		CUSHION RUBBER W/ SIDE PLATES	BALL	150	5-W25-452	2-3/4		
		WELDED DISC / BLACK RUBBER	BALL	150	5-W25-113	3		
		WELDED DISC / GREY RUBBER	BALL	150	5-W25-113G	3		
		ADVANTAGE TPR / ROUND ¹	BALL	180	5-W25-213GD	3		
		HARD RUBBER	DELIRIN	200	5-W25-106	2-3/4		
		HARD RUBBER	BALL	200	5-W25-162	2-3/4		
		HARD RUBBER W/ SIDE PLATES	BALL	220	5-W25-462	2-3/4		
		WELDED DISC / POLYURETHANE	BALL	220	5-W25-113P	3		
		POLYLOC / GREY ²	BALL	220	5-W25-213G	3		
		POLYLOC / BLUE	BALL	220	5-W25-213P	3		
		POLYOLEFIN	PLAIN	220	5-W25-513	3		
		POLYOLEFIN	BALL	220	5-W25-514	3		
		ADVANTAGE TPR / FLAT ³	BALL	220	5-W25-213GF	3		
		ADVANTAGE HEAT ROUND	SS BALL	220	5-W25-213RTR	3		
		ADVANTAGE HEAT FLAT	SS BALL	220	5-W25-213RTF	3		
	ADVANTAGE HEALTH	SS BALL	220	5-W25-213MF	3			
1 1/2	PHENOLIC	PLAIN	220	5-W25-121	3			

¹For delrin bearing change wheel code to 314GD. ²For delrin bearing change wheel code to 314G.

³For delrin bearing change wheel code to 314GF.

W27 Series

Expanding Adapter Stem

Capacity to 220 pounds each



5-W27-121 9
(shown in photo)

FEATURES

- ✓ **Design:** heavy gauge cold rolled steel, formed for strength.
- ✓ **Finish:** bright zinc plating to resist rust and corrosion.
- ✓ **Swivel Construction:** double ball bearing with hardened raceways.
- ✓ **Axle:** 3/8" diameter bolt with lock nut.

CASTER OPTIONS

✓ **Bright Nickel Plating:** to order, add "5" to body of model number. (Example: 5-W275-103)

✓ **PosiLoc® Brake:** all stainless steel construction. To order, add "PL" to end of model number (not available on 2-1/2" wheel models).



✓ **VertiLoc® Brake:** to order, add "VL" to end of model number.



MOUNTING OPTIONS

Rubber bushing expands inside of tubing as hex shaped lower raceway is turned with wrench. Plastic bushing on bottom of stem provides stability for stem inside of tubing for tight, permanent fit.

See chart at right for adapter sizes and matching tube sizes. To order, add adapter number to end of model number (example: 5-W27-105 9).

Threaded stem size (less adapter): 1/2" diameter x 2- 3/4" long.

Adapter Number	Tubing I.D. (inches)
9	3/4"
11	7/8"
13	1"
15	1-1/8"
17 B	1-3/16"
19 C	1-3/8"
19 A	1-1/2"
21	1-7/8"

WHEEL OPTIONS



Wheel Diameter (Inches)	Tread Width (Inches)	Wheel Type	Bearing	Capacity (Pounds)	Expanding Adapter Stem Model Number	Approximate Weight (Pounds)	Load Height (Inches)	Swivel Radius (Inches)
3	1 1/4	CUSHION RUBBER	DELIRIN	110	3-W27-105	1-3/4	3 5/8	2 3/4
		CUSHION RUBBER	BALL	110	3-W27-152	1-3/4		
		HARD RUBBER	DELIRIN	160	3-W27-106	1-3/4		
		HARD RUBBER	BALL	160	3-W27-162	1-3/4		
		POLYOLEFIN	PLAIN	180	3-W27-521	1-3/4		
	1 1/2	PHENOLIC	PLAIN	220	3-W27-121	1-3/4		
4	1 1/4	CUSHION RUBBER	DELIRIN	120	4-W27-105	2-3/8	4 5/8	3 5/16
		CUSHION RUBBER W/ SIDE PLATES	BALL	120	4-W27-452	2-3/8		
		WELDED DISC / BLACK RUBBER	BALL	150	4-W27-113	2-1/2		
		WELDED DISC / GREY RUBBER	BALL	150	4-W27-113G	2-1/2		
		HARD RUBBER	DELIRIN	180	4-W27-106	2-3/8		
		HARD RUBBER W/ SIDE PLATES	BALL	180	4-W27-462	2-3/8		
		ADVANTAGE TPR / ROUND ¹	BALL	180	4-W27-213GD	2-1/2		
		WELDED DISC / POLYURETHANE	BALL	200	4-W27-113P	2-1/2		
		POLYLOC / GREY ²	BALL	200	4-W27-213G	2-1/2		
		POLYLOC / BLUE	BALL	200	4-W27-213P	2-1/2		
		POLYOLEFIN	PLAIN	200	4-W27-513	2-1/2		
		ADVANTAGE TPR / FLAT ³	BALL	220	4-W27-213GF	2-1/2		
		ADVANTAGE HEAT ROUND	SS BALL	220	4-W27-213RTR	2-1/2		
		ADVANTAGE HEAT FLAT	SS BALL	220	4-W27-213RTF	2-1/2		
	ADVANTAGE HEALTH	SS BALL	220	4-W27-213MF	2-1/2			
1 1/2	PHENOLIC	PLAIN	220	4-W27-121	2-1/2			
5	1 1/4	CUSHION RUBBER	DELIRIN	150	5-W27-105	2-3/4	5 5/8	4
		CONDUCTIVE CUSHION RUBBER	SINTERED	150	5-W27-105C	2-3/4		
		CUSHION RUBBER	BALL	150	5-W27-152	2-3/4		
		CUSHION RUBBER W/ SIDE PLATES	BALL	150	5-W27-452	2-3/4		
		WELDED DISC / BLACK RUBBER	BALL	150	5-W27-113	3		
		WELDED DISC / GREY RUBBER	BALL	150	5-W27-113G	3		
		ADVANTAGE TPR / ROUND ¹	BALL	180	5-W27-213GD	3		
		HARD RUBBER	DELIRIN	200	5-W27-106	2-3/4		
		HARD RUBBER	BALL	200	5-W27-162	2-3/4		
		HARD RUBBER W/ SIDE PLATES	BALL	220	5-W27-462	2-3/4		
		WELDED DISC / POLYURETHANE	BALL	220	5-W27-113P	3		
		POLYLOC / GREY ²	BALL	220	5-W27-213G	3		
		POLYLOC / BLUE	BALL	220	5-W27-213P	3		
		POLYOLEFIN	PLAIN	220	5-W27-513	3		
		POLYOLEFIN	BALL	220	5-W27-514	3		
		ADVANTAGE TPR / FLAT ³	BALL	220	5-W27-213GF	3		
		ADVANTAGE HEAT ROUND	SS BALL	220	5-W27-213RTR	3		
		ADVANTAGE HEAT FLAT	SS BALL	220	5-W27-213RTF	3		
		ADVANTAGE HEALTH	SS BALL	220	5-W27-213MF	3		
	1 1/2	PHENOLIC	PLAIN	220	5-W27-121	3		

¹For delrin bearing change wheel code to 314GD. ²For delrin bearing change wheel code to 314G.

³For delrin bearing change wheel code to 314CF.

W28 Series



Hollow Kingpin

Capacity to 220 pounds each

FEATURES

- ✓ **Design:** heavy gauge cold rolled steel, formed for strength.
- ✓ **Finish:** bright zinc plating to resist rust and corrosion.
- ✓ **Swivel Construction:** double ball bearing with hardened raceways.
- ✓ **Axle:** 3/8" diameter bolt with lock nut.

CASTER OPTIONS

- ✓ **Bright Nickel Plating:** to order, add "5" to body of model number. (Example: 5-W285-103)
- ✓ **PosiLoc® Brake:** all stainless steel construction. To order, add "PL" to end of model number (not available on 2-1/2" wheel models). 
- ✓ **VertiLoc® Brake:** to order, add "VL" to end of model number. 



5-W28-105C
(shown in photo)

MOUNTING OPTIONS

Hollow kingpin casters are designed to accept a 3/8" diameter bolt or other stem type.

WHEEL OPTIONS



Wheel Diameter (Inches)	Tread Width (Inches)	Wheel Type	Bearing	Capacity (Pounds)	Hollow Kingpin Model Number	Approximate Weight (Pounds)	Load Height (Inches)	Swivel Radius (Inches)
3	1 1/4	CUSHION RUBBER	DELTRIN	110	3-W28-105	1-3/4	3 5/8	2 3/4
		CUSHION RUBBER	BALL	110	3-W28-152	1-3/4		
		HARD RUBBER	DELTRIN	160	3-W28-106	1-3/4		
		HARD RUBBER	BALL	160	3-W28-162	1-3/4		
		POLYOLEFIN	PLAIN	180	3-W28-521	1-3/4		
	1 1/2	PHENOLIC	PLAIN	220	3-W28-121	1-3/4		
4	1 1/4	CUSHION RUBBER	DELTRIN	120	4-W28-105	2-3/8	4 5/8	3 5/16
		CUSHION RUBBER W/ SIDE PLATES	BALL	120	4-W28-452	2-3/8		
		WELDED DISC / BLACK RUBBER	BALL	150	4-W28-113	2-1/2		
		WELDED DISC / GREY RUBBER	BALL	150	4-W28-113G	2-1/2		
		HARD RUBBER	DELTRIN	180	4-W28-106	2-3/8		
		HARD RUBBER W/ SIDE PLATES	BALL	180	4-W28-462	2-3/8		
		ADVANTAGE TPR / ROUND ¹	BALL	180	4-W28-213GD	2-1/2		
		WELDED DISC / POLYURETHANE	BALL	200	4-W28-113P	2-1/2		
		POLYLOC / GREY ²	BALL	200	4-W28-213G	2-1/2		
		POLYLOC / BLUE	BALL	200	4-W28-213P	2-1/2		
		POLYOLEFIN	PLAIN	200	4-W28-513	2-1/2		
		ADVANTAGE TPR / FLAT ³	BALL	220	4-W28-213GF	2-1/2		
		ADVANTAGE HEAT ROUND	SS BALL	220	4-W28-213RTR	2-1/2		
		ADVANTAGE HEAT FLAT	SS BALL	220	4-W28-213RTF	2-1/2		
		ADVANTAGE HEALTH	SS BALL	220	4-W28-213MF	2-1/2		
	1 1/2	PHENOLIC	PLAIN	220	4-W28-121	2-1/2		
5	1 1/4	CUSHION RUBBER	DELTRIN	150	5-W28-105	2-3/4	5 5/8	4
		CONDUCTIVE CUSHION RUBBER	SINTERED	150	5-W28-105C	2-3/4		
		CUSHION RUBBER	BALL	150	5-W28-152	2-3/4		
		CUSHION RUBBER W/ SIDE PLATES	BALL	150	5-W28-452	2-3/4		
		WELDED DISC / BLACK RUBBER	BALL	150	5-W28-113	3		
		WELDED DISC / GREY RUBBER	BALL	150	5-W28-113G	3		
		ADVANTAGE TPR / ROUND ¹	BALL	180	5-W28-213GD	3		
		HARD RUBBER	DELTRIN	200	5-W28-106	2-3/4		
		HARD RUBBER	BALL	200	5-W28-162	2-3/4		
		HARD RUBBER W/ SIDE PLATES	BALL	220	5-W28-462	2-3/4		
		WELDED DISC / POLYURETHANE	BALL	220	5-W28-113P	3		
		POLYLOC / GREY ²	BALL	220	5-W28-213G	3		
		POLYLOC / BLUE	BALL	220	5-W28-213P	3		
		POLYOLEFIN	PLAIN	220	5-W28-513	3		
		POLYOLEFIN	BALL	220	5-W28-514	3		
		ADVANTAGE TPR / FLAT ³	BALL	220	5-W28-213GF	3		
		ADVANTAGE HEAT ROUND	SS BALL	220	5-W28-213RTR	3		
		ADVANTAGE HEAT FLAT	SS BALL	220	5-W28-213RTF	3		
		ADVANTAGE HEALTH	SS BALL	220	5-W28-213MF	3		
	1 1/2	PHENOLIC	PLAIN	220	5-W28-121	3		

¹For delrin bearing change wheel code to 314GD. ²For delrin bearing change wheel code to 314G.

³For delrin bearing change wheel code to 314GF.

30 Series



Swivel & Rigid Top Plate

Capacity to 325 pounds each

FEATURES

- ✓ **Finish:** bright zinc plating to resist rust and corrosion.
- ✓ **Design:** heavy gauge cold rolled steel, formed for strength.
- ✓ **Dust Cap:** all swivel models feature dust cap which protects swivel raceway bearings and improves performance.
- ✓ **Swivel Construction:** double ball bearing with hardened raceways.
- ✓ **Axle:** 3/8" diameter bolt with lock nut.
- ✓ **King Pin:** 1/2" steel rivet, hydraulically upset.

CASTER OPTIONS

- ✓ **Bright Nickel Plating:** to order, add "5" to body of model number (Example: 5-305-105). **Other finishes available**, see page 13.
- ✓ **PosiLoc® Brake:** all stainless steel construction. To order, add "PL" to end of model number (not available on 2-1/2" wheel models).
 
- ✓ **VertiLoc® Brake:** to order, add "VL" to end of model number (not available on 2-1/2" wheel models).
 
- ✓ **Swivel Lock:** Locks caster in trailing position at 180° while wheel spins freely. To order specify "1PSL".
 
- ✓ **Precision Ball Wheel Bearing:** Sealed precision ball bearing available for most wheels—consult factory.
- ✓ **Swivel Grease Seal:** Includes zerk grease fitting in dust cap. To order, add "GS" to end of model number.
 
- ✓ **Thread Guards:** See page 94 for thread guard availability.



5-30-213GF PLT2
(shown in photo)



5-31-105C PLT2
(shown in photo)

MOUNTING OPTIONS

Top Plate Sizes (swivel & rigid): to order, add Plate Mounting Code to end of model number (Example: 5-30-105 PLT 1)

Mounting Code	Top Plate Size	Bolt Hole Spacing	Mounting Bolt Size
PLT 1	2-3/8" x 3-5/8"	1-3/4" x 3"	1/4"
PLT 2	2-3/8" x 3-5/8"	1-3/4" x 3"	5/16"
PLT 3	3-1/8" x 4-1/8"	2-3/8" x 3-7/16"	5/16"
PLT 4	4" x 4"	3" x 3"	3/8"
PLT 5	3-3/4" x 4-1/2"	2-5/8" x 3-5/8" to 3" x 3"	3/8"
PLT 7	3-1/2" x 3-1/2"	2-5/8" x 2-5/8"	9/32"

Note: PLT 4 and PLT 5 rigid casters are two piece welded design. Consult factory.

WHEEL OPTIONS



Wheel Diameter (Inches)	Tread Width (Inches)	Wheel Type	Bearing	Capacity (Pounds)	Swivel Caster Model Number	Rigid Caster Model Number	Approximate Weight (Pounds)	Load Height (Inches)	Swivel Radius (Inches)
2 1/2	1 1/4	CUSHION RUBBER	DELRIN	140	2-1/2-30-105	2-1/2-31-105	1-11/16	3 5/8	2 3/4
		HARD RUBBER	DELRIN	210	2-1/2-30-106	2-1/2-31-106	1-11/16		
		POLYOLEFIN	PLAIN	210	2-1/2-30-513	2-1/2-31-513	1-11/16		
3	1 1/4	CUSHION RUBBER	DELRIN	150	3-30-105	3-31-105	1-3/4	4 1/8	3
		CUSHION RUBBER	BALL	150	3-30-152	3-31-152	1-3/4		
		HARD RUBBER	DELRIN	220	3-30-106	3-31-106	1-3/4		
		HARD RUBBER	BALL	220	3-30-162	3-31-162	1-3/4		
		POLYOLEFIN	PLAIN	250	3-30-521	3-31-521	1-3/4		
	PHENOLIC	PLAIN	300	3-30-121	3-31-121	1-3/4			
3 1/2	1 1/4	CUSHION RUBBER	DELRIN	160	3-1/2-30-105	3-1/2-31-105	2	4 5/8	3 1/4
		CUSHION RUBBER W/ SIDE PLATES*	BALL	160	3-1/2-30-452*	3-1/2-31-452*	2		
		WELDED DISC / BLACK RUBBER	BALL	200	3-1/2-30-113	3-1/2-31-113	2-3/16		
		WELDED DISC / GREY RUBBER	BALL	225	3-1/2-30-113G	3-1/2-31-113G	2-3/16		
		ADVANTAGE TPR / ROUND	DELRIN	225	3-1/2-30-314GD	3-1/2-31-314GD	2-3/16		
		ADVANTAGE TPR / ROUND	BALL	225	3-1/2-30-213GD	3-1/2-31-213GD	2-3/16		
		ADVANTAGE HEAT ROUND	S.S. BALL	225	3-1/2-30-213RTR	3-1/2-31-213RTR	2-3/16		
		ADVANTAGE HEAT FLAT	S.S. BALL	225	3-1/2-30-213RTF	3-1/2-31-213RTF	2-3/16		
ADVANTAGE HEALTH	S.S. BALL	225	3-1/2-30-213MF	3-1/2-31-213MF	2-3/16				

Wheel Diameter (Inches)	Tread Width (Inches)	Wheel Type	Bearing	Capacity (Pounds)	Swivel Caster Model Number	Rigid Caster Model Number	Approximate Weight (Pounds)	Load Height (Inches)	Swivel Radius (Inches)
3 1/2	1 1/4	HARD RUBBER	DELTRIN	230	3-1/2-30-106	3-1/2-31-106	2	4 5/8	3 1/4
		HARD RUBBER W/ SIDE PLATES*	BALL	230	3-1/2-30-462*	3-1/2-31-462*	2-3/16		
		POLYOLEFIN	PLAIN	250	3-1/2-30-513	3-1/2-31-513	2-3/16		
		HI-TEMP RESIN	PLAIN	250	3-1/2-30-521HTN	3-1/2-31-521HTN	2-1/2		
		WELDED DISC / POLYURETHANE	BALL	250	3-1/2-30-113P	3-1/2-31-113P	2-3/16		
		ADVANTAGE TPR / FLAT	DELTRIN	250	3-1/2-30-314GF	3-1/2-31-314GF	2-3/16		
		ADVANTAGE TPR / FLAT	BALL	250	3-1/2-30-213GF	3-1/2-31-213GF	2-3/16		
		POLYLOC / GREY	BALL	250	3-1/2-30-213G	3-1/2-31-213G	2-3/16		
		POLYLOC / GREY	DELTRIN	250	3-1/2-30-314G	3-1/2-31-314G	2-3/16		
		POLYLOC / BLUE	BALL	250	3-1/2-30-213P	3-1/2-31-213P	2-3/16		
4	1 1/4	CUSHION RUBBER	DELTRIN	170	4-30-105	4-31-105	2-3/8	5 1/8	3 1/2
		CUSHION RUBBER W/ SIDE PLATES*	BALL	170	4-30-452*	4-31-452*	2-3/8		
		WELDED DISC / BLACK RUBBER	BALL	200	4-30-113	4-31-113	2-1/2		
		WELDED DISC / GREY RUBBER	BALL	200	4-30-113G	4-31-113G	2-1/2		
		HARD RUBBER	DELTRIN	250	4-30-106	4-31-106	2-3/8		
		HARD RUBBER W/ SIDE PLATES*	BALL	250	4-30-462*	4-31-462*	2-3/8		
		ADVANTAGE TPR / ROUND	DELTRIN	250	4-30-314GD	4-31-314GD	2-1/2		
		ADVANTAGE TPR / ROUND	BALL	250	4-30-213GD	4-31-213GD	2-1/2		
		WELDED DISC / POLYURETHANE	BALL	275	4-30-113P	4-31-113P	2-1/2		
		POLYLOC / GREY	BALL	275	4-30-213G	4-31-213G	2-1/2		
		POLYLOC / GREY	DELTRIN	275	4-30-314G	4-31-314G	2-1/2		
		POLYLOC / BLUE	BALL	275	4-30-213P	4-31-213P	2-1/2		
		POLYOLEFIN	PLAIN	275	4-30-513	4-31-513	2-1/2		
		ADVANTAGE TPR / FLAT	DELTRIN	300	4-30-314GF	4-31-314GF	2-1/2		
	ADVANTAGE TPR / FLAT	BALL	300	4-30-213GF	4-31-213GF	2-1/2			
	ADVANTAGE HEAT ROUND	S.S. BALL	300	4-30-213RTR	4-31-213RTR	2-1/2			
	ADVANTAGE HEAT FLAT	S.S. BALL	300	4-30-213RTF	4-31-213RTF	2-1/2			
	ADVANTAGE HEALTH	S.S. BALL	300	4-30-213MF	4-31-213MF	2-1/2			
	1 1/2	PHENOLIC	PLAIN	300	4-30-121	4-31-121	2-1/2		
		HI-TEMP RESIN	PLAIN	300	4-30-521HT	4-31-521HT	2-1/2		
5	1 1/4	CUSHION RUBBER	DELTRIN	200	5-30-105	5-31-105	2-3/4	6 1/4	4
		CONDUCTIVE CUSHION RUBBER	SINTERED	200	5-30-105C	5-31-105C	2-3/4		
		CUSHION RUBBER	BALL	200	5-30-152	5-31-152	2-3/4		
		CUSHION RUBBER W/ SIDE PLATES*	BALL	200	5-30-452*	5-31-452*	2-3/4		
		WELDED DISC / BLACK RUBBER	BALL	200	5-30-113	5-31-113	3		
		WELDED DISC / GREY RUBBER	BALL	200	5-30-113G	5-31-113G	3		
		ADVANTAGE TPR / ROUND	DELTRIN	250	5-30-314GD	5-31-314GD	3		
		ADVANTAGE TPR / ROUND	BALL	250	5-30-213GD	5-31-213GD	3		
		HARD RUBBER	DELTRIN	280	5-30-106	5-31-106	2-3/4		
		HARD RUBBER	BALL	280	5-30-162	5-31-162	2-3/4		
		HARD RUBBER W/ SIDE PLATES*	BALL	280	5-30-462*	5-31-462*	2-3/4		
		WELDED DISC / POLYURETHANE	BALL	300	5-30-113P	5-31-113P	3		
		POLYLOC / GREY	BALL	300	5-30-213G	5-31-213G	3		
		POLYLOC / GREY	DELTRIN	300	5-30-314G	5-31-314G	3		
	POLYLOC / BLUE	BALL	300	5-30-213P	5-31-213P	3			
	POLYOLEFIN	PLAIN	300	5-30-513	5-31-513	3			
	POLYOLEFIN	BALL	300	5-30-514	5-31-514	3			
	ADVANTAGE HEAT ROUND	S.S. BALL	300	5-30-213RTR	5-31-213RTR	3			
	ADVANTAGE HEAT FLAT	S.S. BALL	300	5-30-213RTF	5-31-213RTF	3			
	ADVANTAGE HEALTH	S.S. BALL	300	5-30-213MF	5-31-213MF	3			
1 1/2	PHENOLIC	PLAIN	300	5-30-121	5-31-121	3			
	HI-TEMP RESIN	PLAIN	325	5-30-521NHT	5-31-521NHT	3			
6	1 1/4	CUSHION RUBBER	DELTRIN	220	6-30-105	6-31-105	3-1/8	7 1/4	4 1/2
		CONDUCTIVE CUSHION RUBBER	SINTERED	220	6-30-105C	6-31-105C	3-1/8		
		WELDED DISC / BLACK RUBBER	BALL	250	6-30-113	6-31-113	3-3/4		
		WELDED DISC / GREY RUBBER	BALL	250	6-30-113G	6-31-113G	3-3/4		
		HARD RUBBER	DELTRIN	300	6-30-106	6-31-106	3-1/8		
		HARD RUBBER	BALL	300	6-30-162	6-31-162	3-1/8		
		WELDED DISC / POLYURETHANE	BALL	300	6-30-113P	6-31-113P	3-3/4		
		ADVANTAGE TPR / ROUND	DELTRIN	300	6-30-314GD	6-31-314GD	3-3/4		
		ADVANTAGE TPR / ROUND	BALL	300	6-30-213GD	6-31-213GD	3-3/4		
		POLYLOC / GREY	BALL	300	6-30-213G	6-31-213G	3-3/4		
		POLYLOC / GREY	DELTRIN	300	6-30-314G	6-31-314G	3-3/4		
		POLYLOC / BLUE	BALL	300	6-30-213P	6-31-213P	3-3/4		
	ADVANTAGE HEAT ROUND	S.S. BALL	325	6-30-213RTR	6-31-213RTR	3-3/4			
	ADVANTAGE HEAT FLAT	S.S. BALL	325	6-30-213RTF	6-31-213RTF	3-3/4			
	ADVANTAGE HEALTH	S.S. BALL	325	6-30-213MF	6-31-213MF	3-3/4			
	1 1/2	PHENOLIC	PLAIN	300	6-30-121	6-31-121	3-3/4		
		POLYOLEFIN	PLAIN	300	6-30-521	6-31-521	3-3/4		

34 Series




Spring Ring Stem

Capacity to 325 pounds each

FEATURES

- ✓ **Finish:** bright zinc plating to resist rust and corrosion.
- ✓ **Design:** heavy gauge cold rolled steel, formed for strength.
- ✓ **Dust Cap:** all swivel models feature dust cap which protects swivel raceway bearings and improves performance.
- ✓ **Swivel Construction:** double ball bearing with hardened raceways.
- ✓ **Axle:** 3/8" diameter bolt with lock nut.
- ✓ **King Pin:** 1/2" steel rivet, hydraulically upset.

CASTER OPTIONS

- ✓ **Bright Nickel Plating:** to order, add "5" to body of model number (Example: 5-345-105). **Other finishes available**, see page 13.
- ✓ **PosiLoc® Brake:** all stainless steel construction. To order, add "PL" to end of model number (not available on 2-1/2" wheel models).
 
- ✓ **VertiLoc® Brake:** to order, add "VL" to end of model number (not available on 2-1/2" wheel models).
 
- ✓ **Precision Ball Wheel Bearing:** Sealed precision ball bearing available for most wheels—consult factory.
- ✓ **Swivel Grease Seal:** Includes zerk grease fitting in dust cap. To order, add "GS" to end of model number.
 
- ✓ **Thread Guards:** See page 94 for thread guard availability.



5-34-213GD STEM 1
(shown in photo)

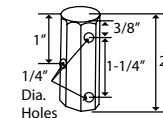
MOUNTING OPTIONS

34 Standard Stem Sizes: to order, specify stem code number and add to end of caster model number (Example: 5-34-213G **STEM 1**).

Stem Code	Round Stem Sizes
STEM 1	3/4" diameter x 2-3/16" long
STEM 2	13/16" diameter x 2-3/16" long
STEM 3	.845" diameter x 2-3/16" long
STEM 4	.865" diameter x 2-3/16" long
STEM 5	1" diameter x 2-3/16" long

Stem Code	Square Stem Size
STEM 6	.860" SQUARE x 2-3/16" long

32 Octagon Stem Size: 3/4" octagon x 2" long with three cross drilled mounting holes 1/4" dia. To order change series code to **32** (Example: 5-32-213G).



WHEEL OPTIONS



Wheel Diameter (Inches)	Tread Width (Inches)	Wheel Type	Bearing	Capacity (Pounds)	Spring Ring Stem Model Number	Approximate Weight (Pounds)	Load Height (Inches)	Swivel Radius (Inches)
2 1/2	1 1/4	CUSHION RUBBER	DELIRIN	140	2-1/2-34-105	1-11/16	3 7/16	2 3/4
		HARD RUBBER	DELIRIN	210	2-1/2-34-106	1-11/16		
		POLYOLEFIN	PLAIN	210	2-1/2-34-513	1-11/16		
3	1 1/4	CUSHION RUBBER	DELIRIN	150	3-34-105	1-3/4	3 15/16	3
		CUSHION RUBBER	BALL	150	3-34-152	1-3/4		
		HARD RUBBER	DELIRIN	220	3-34-106	1-3/4		
		HARD RUBBER	BALL	220	3-34-162	1-3/4		
		POLYOLEFIN	PLAIN	250	3-34-521	1-3/4		
	PHENOLIC	PLAIN	300	3-34-121	1-3/4			
3 1/2	1 1/4	CUSHION RUBBER	DELIRIN	160	3-1/2-34-105	2	4 7/16	3 1/4
		CUSHION RUBBER W/ SIDE PLATES*	BALL	160	3-1/2-34-452*	2		
		WELDED DISC / BLACK RUBBER	BALL	200	3-1/2-34-113	2-3/16		
		WELDED DISC / GREY RUBBER	BALL	225	3-1/2-34-113G	2-3/16		
		ADVANTAGE TPR / ROUND	DELIRIN	225	3-1/2-34-314GD	2-3/16		
		ADVANTAGE TPR / ROUND	BALL	225	3-1/2-34-213GD	2-3/16		
		ADVANTAGE HEAT ROUND	S.S. BALL	225	3-1/2-34-213RTR	2-3/16		
		ADVANTAGE HEAT FLAT	S.S. BALL	225	3-1/2-34-213RTF	2-3/16		
ADVANTAGE HEALTH	S.S. BALL	225	3-1/2-34-213MF	2-3/16				

Wheel Diameter (Inches)	Tread Width (Inches)	Wheel Type	Bearing	Capacity (Pounds)	Spring Ring Stem Model Number	Approximate Weight (Pounds)	Load Height (Inches)	Swivel Radius (Inches)
3 1/2	1 1/4	HARD RUBBER	DELRIN	230	3-1/2-34-106	2	4 7/16	3 1/4
		HARD RUBBER W/ SIDE PLATES*	BALL	230	3-1/2-34-462*	2-3/16		
		POLYOLEFIN	PLAIN	250	3-1/2-34-513	2-3/16		
		HI-TEMP RESIN	PLAIN	250	3-1/2-34-521HTN	2-1/2		
		WELDED DISC / POLYURETHANE	BALL	250	3-1/2-34-113P	2-3/16		
		ADVANTAGE TPR / FLAT	DELRIN	250	3-1/2-34-314GF	2-3/16		
		ADVANTAGE TPR / FLAT	BALL	250	3-1/2-34-213GF	2-3/16		
		POLYLOC / GREY	BALL	250	3-1/2-34-213G	2-3/16		
		POLYLOC / GREY	DELRIN	250	3-1/2-34-314G	2-3/16		
		POLYLOC / BLUE	BALL	250	3-1/2-34-213P	2-3/16		
4	1 1/4	CUSHION RUBBER	DELRIN	170	4-34-105	2-3/8	4 15/16	3 1/2
		CUSHION RUBBER W/ SIDE PLATES*	BALL	170	4-34-452*	2-3/8		
		WELDED DISC / BLACK RUBBER	BALL	200	4-34-113	2-1/2		
		WELDED DISC / GREY RUBBER	BALL	200	4-34-113G	2-1/2		
		HARD RUBBER	DELRIN	250	4-34-106	2-3/8		
		HARD RUBBER W/ SIDE PLATES*	BALL	250	4-34-462*	2-3/8		
		ADVANTAGE TPR / ROUND	DELRIN	250	4-34-314GD	2-1/2		
		ADVANTAGE TPR / ROUND	BALL	250	4-34-213GD	2-1/2		
		WELDED DISC / POLYURETHANE	BALL	275	4-34-113P	2-1/2		
		POLYLOC / GREY	BALL	275	4-34-213G	2-1/2		
		POLYLOC / GREY	DELRIN	275	4-34-314G	2-1/2		
		POLYLOC / BLUE	BALL	275	4-34-213P	2-1/2		
		POLYOLEFIN	PLAIN	275	4-34-513	2-1/2		
		ADVANTAGE TPR / FLAT	DELRIN	300	4-34-314GF	2-1/2		
	ADVANTAGE TPR / FLAT	BALL	300	4-34-213GF	2-1/2			
	ADVANTAGE HEAT ROUND	S.S. BALL	300	4-34-213RTR	2-1/2			
	ADVANTAGE HEAT FLAT	S.S. BALL	300	4-34-213RTF	2-1/2			
	ADVANTAGE HEALTH	S.S. BALL	300	4-34-213MF	2-1/2			
	1 1/2	PHENOLIC	PLAIN	300	4-34-121	2-1/2		
	HI-TEMP RESIN	PLAIN	300	4-34-521HT	2-1/2			
5	1 1/4	CUSHION RUBBER	DELRIN	200	5-34-105	2-3/4	6 1/16	4
		CONDUCTIVE CUSHION RUBBER	SINTERED	200	5-34-105C	2-3/4		
		CUSHION RUBBER	BALL	200	5-34-152	2-3/4		
		CUSHION RUBBER W/ SIDE PLATES*	BALL	200	5-34-452*	2-3/4		
		WELDED DISC / BLACK RUBBER	BALL	200	5-34-113	3		
		WELDED DISC / GREY RUBBER	BALL	200	5-34-113G	3		
		ADVANTAGE TPR / ROUND	DELRIN	250	5-34-314GD	3		
		ADVANTAGE TPR / ROUND	BALL	250	5-34-213GD	3		
		HARD RUBBER	DELRIN	280	5-34-106	2-3/4		
		HARD RUBBER	BALL	280	5-34-162	2-3/4		
		HARD RUBBER W/ SIDE PLATES*	BALL	280	5-34-462*	2-3/4		
		WELDED DISC / POLYURETHANE	BALL	300	5-34-113P	3		
		POLYLOC / GREY	BALL	300	5-34-213G	3		
		POLYLOC / GREY	DELRIN	300	5-34-314G	3		
		POLYLOC / BLUE	BALL	300	5-34-213P	3		
		POLYOLEFIN	PLAIN	300	5-34-513	3		
		POLYOLEFIN	BALL	300	5-34-514	3		
		ADVANTAGE HEAT ROUND	S.S. BALL	300	5-34-213RTR	3		
	ADVANTAGE HEAT FLAT	S.S. BALL	300	5-34-213RTF	3			
	ADVANTAGE HEALTH	S.S. BALL	300	5-34-213MF	3			
	ADVANTAGE TPR / FLAT	DELRIN	325	5-34-314GF	3			
	ADVANTAGE TPR / FLAT	BALL	325	5-34-213GF	3			
1 1/2	PHENOLIC	PLAIN	300	5-34-121	3			
HI-TEMP RESIN	PLAIN	325	5-34-521NHT	3				
6	1 1/4	CUSHION RUBBER	DELRIN	220	6-34-105	3-1/8	7 1/16	4 1/2
		CONDUCTIVE CUSHION RUBBER	SINTERED	220	6-34-105C	3-1/8		
		WELDED DISC / BLACK RUBBER	BALL	250	6-34-113	3-3/4		
		WELDED DISC / GREY RUBBER	BALL	250	6-34-113G	3-3/4		
		HARD RUBBER	DELRIN	300	6-34-106	3-1/8		
		HARD RUBBER	BALL	300	6-34-162	3-1/8		
		WELDED DISC / POLYURETHANE	BALL	300	6-34-113P	3-3/4		
		ADVANTAGE TPR / ROUND	DELRIN	300	6-34-314GD	3-3/4		
		ADVANTAGE TPR / ROUND	BALL	300	6-34-213GD	3-3/4		
		POLYLOC / GREY	BALL	300	6-34-213G	3-3/4		
		POLYLOC / GREY	DELRIN	300	6-34-314G	3-3/4		
		POLYLOC / BLUE	BALL	300	6-34-213P	3-3/4		
		ADVANTAGE HEAT ROUND	S.S. BALL	325	6-34-213RTR	3-3/4		
		ADVANTAGE HEAT FLAT	S.S. BALL	325	6-34-213RTF	3-3/4		
	ADVANTAGE HEALTH	S.S. BALL	325	6-34-213MF	3-3/4			
	1 1/2	PHENOLIC	PLAIN	300	6-34-121	3-3/4		
	POLYOLEFIN	PLAIN	300	6-34-521	3-3/4			

* Grey tread wheels are available (consult factory).

36 Series




Threaded Stem

Capacity to 325 pounds each

FEATURES

- ✓ **Finish:** bright zinc plating to resist rust and corrosion.
- ✓ **Design:** heavy gauge cold rolled steel, formed for strength.
- ✓ **Dust Cap:** all swivel models feature dust cap which protects swivel raceway bearings and improves performance.
- ✓ **Swivel Construction:** double ball bearing with hardened raceways.
- ✓ **Axle:** 3/8" diameter bolt with lock nut.
- ✓ **King Pin:** 1/2" steel rivet, hydraulically upset.

CASTER OPTIONS

- ✓ **Bright Nickel Plating:** to order, add "5" to body of model number (Example: 5-365-105). **Other finishes available**, see page 13.
- ✓ **PosiLoc® Brake:** all stainless steel construction. To order, add "PL" to end of model number (not available on 2-1/2" wheel models).
 
- ✓ **VertiLoc® Brake:** to order, add "VL" to end of model number (not available on 2-1/2" wheel models).
 
- ✓ **Precision Ball Wheel Bearing:** Sealed precision ball bearing available for most wheels—consult factory.
- ✓ **Swivel Grease Seal:** Includes zerk grease fitting in dust cap. To order, add "GS" to end of model number.
 
- ✓ **Thread Guards:** See page 94 for thread guard availability.



5-36-113P STEM 2
(shown in photo)

MOUNTING OPTIONS

36 Standard Stem Sizes: to order, specify stem code number and add to end of caster model number (Example: 5-36-213G STEM 1).

Stem Code	Stem Sizes
STEM 1	1/2" dia. -13 x 3/4" long
STEM 2	1/2" dia. -13 x 1" long
STEM 3	1/2" dia. -13 x 1-1/2" long
STEM 4	1/2" dia. -20 x 3/4" long
STEM 5	1/2" dia. -20 x 2-1/4" long
STEM 6	5/8" dia. -11 x 1-1/4" long
STEM 7	5/8" dia. -18 x 1-3/4" long
STEM 8	3/4" dia. -10 x 1" long

38 Pipe Stem Sizes: to order, specify stem code number and add to end of caster model number (Example: 5-38-213G STEM 1).



Stem Code	Stem Sizes
STEM 2	3/4" Pipe Thread (1" actual stem diameter)
STEM 3	1" Pipe Thread (1-1/4" actual stem diameter)
STEM 4	1-1/4" Pipe Thread (1-1/2" actual stem diameter)

WHEEL OPTIONS



Wheel Diameter (Inches)	Tread Width (Inches)	Wheel Type	Bearing	Capacity (Pounds)	Threaded Stem Model Number	Approximate Weight (Pounds)	Load Height (Inches)	Swivel Radius (Inches)
2 1/2	1 1/4	CUSHION RUBBER	DELIRIN	140	2-1/2-36-105	1-11/16	3 7/16	2 3/4
		HARD RUBBER	DELIRIN	210	2-1/2-36-106	1-11/16		
		POLYOLEFIN	PLAIN	210	2-1/2-36-513	1-11/16		
3	1 1/4	CUSHION RUBBER	DELIRIN	150	3-36-105	1-3/4	3 15/16	3
		CUSHION RUBBER	BALL	150	3-36-152	1-3/4		
		HARD RUBBER	DELIRIN	220	3-36-106	1-3/4		
		HARD RUBBER	BALL	220	3-36-162	1-3/4		
		POLYOLEFIN	PLAIN	250	3-36-521	1-3/4		
	PHENOLIC	PLAIN	300	3-36-121	1-3/4			
3 1/2	1 1/4	CUSHION RUBBER	DELIRIN	160	3-1/2-36-105	2	4 7/16	3 1/4
		CUSHION RUBBER W/ SIDE PLATES*	BALL	160	3-1/2-36-452*	2		
		WELDED DISC / BLACK RUBBER	BALL	200	3-1/2-36-113	2-3/16		
		WELDED DISC / GREY RUBBER	BALL	225	3-1/2-36-113G	2-3/16		
		ADVANTAGE TPR / ROUND	DELIRIN	225	3-1/2-36-314GD	2-3/16		
		ADVANTAGE TPR / ROUND	BALL	225	3-1/2-36-213GD	2-3/16		
		ADVANTAGE HEAT ROUND	S.S. BALL	225	3-1/2-36-213RTR	2-3/16		
		ADVANTAGE HEAT FLAT	S.S. BALL	225	3-1/2-36-213RTF	2-3/16		
ADVANTAGE HEALTH	S.S. BALL	225	3-1/2-36-213MF	2-3/16				

Wheel Diameter (Inches)	Tread Width (Inches)	Wheel Type	Bearing	Capacity (Pounds)	Threaded Stem Model Number	Approximate Weight (Pounds)	Load Height (Inches)	Swivel Radius (Inches)
3 1/2	1 1/4	HARD RUBBER	DELRIN	230	3-1/2-36-106	2	4 7/16	3 1/4
		HARD RUBBER W/ SIDE PLATES*	BALL	230	3-1/2-36-462*	2-3/16		
		POLYOLEFIN	PLAIN	250	3-1/2-36-513	2-3/16		
		HI-TEMP RESIN	PLAIN	250	3-1/2-36-521HTN	2-1/2		
		WELDED DISC / POLYURETHANE	BALL	250	3-1/2-36-113P	2-3/16		
		ADVANTAGE TPR / FLAT	DELRIN	250	3-1/2-36-314GF	2-3/16		
		ADVANTAGE TPR / FLAT	BALL	250	3-1/2-36-213GF	2-3/16		
		POLYLOC / GREY	BALL	250	3-1/2-36-213G	2-3/16		
		POLYLOC / GREY	DELRIN	250	3-1/2-36-314G	2-3/16		
		POLYLOC / BLUE	BALL	250	3-1/2-36-213P	2-3/16		
4	1 1/4	CUSHION RUBBER	DELRIN	170	4-36-105	2-3/8	4 15/16	3 1/2
		CUSHION RUBBER W/ SIDE PLATES*	BALL	170	4-36-452*	2-3/8		
		WELDED DISC / BLACK RUBBER	BALL	200	4-36-113	2-1/2		
		WELDED DISC / GREY RUBBER	BALL	200	4-36-113G	2-1/2		
		HARD RUBBER	DELRIN	250	4-36-106	2-3/8		
		HARD RUBBER W/ SIDE PLATES*	BALL	250	4-36-462*	2-3/8		
		ADVANTAGE TPR / ROUND	DELRIN	250	4-36-314GD	2-1/2		
		ADVANTAGE TPR / ROUND	BALL	250	4-36-213GD	2-1/2		
		WELDED DISC / POLYURETHANE	BALL	275	4-36-113P	2-1/2		
		POLYLOC / GREY	BALL	275	4-36-213G	2-1/2		
		POLYLOC / GREY	DELRIN	275	4-36-314G	2-1/2		
		POLYLOC / BLUE	BALL	275	4-36-213P	2-1/2		
		POLYOLEFIN	PLAIN	275	4-36-513	2-1/2		
		ADVANTAGE TPR / FLAT	DELRIN	300	4-36-314GF	2-1/2		
	ADVANTAGE TPR / FLAT	BALL	300	4-36-213GF	2-1/2			
	ADVANTAGE HEAT ROUND	S.S. BALL	300	4-36-213RTR	2-1/2			
	ADVANTAGE HEAT FLAT	S.S. BALL	300	4-36-213RTF	2-1/2			
	ADVANTAGE HEALTH	S.S. BALL	300	4-36-213MF	2-1/2			
	1 1/2	PHENOLIC	PLAIN	300	4-36-121	2-1/2		
	HI-TEMP RESIN	PLAIN	300	4-36-521HT	2-1/2			
5	1 1/4	CUSHION RUBBER	DELRIN	200	5-36-105	2-3/4	6 1/16	4
		CONDUCTIVE CUSHION RUBBER	SINTERED	200	5-36-105C	2-3/4		
		CUSHION RUBBER	BALL	200	5-36-152	2-3/4		
		CUSHION RUBBER W/ SIDE PLATES*	BALL	200	5-36-452*	2-3/4		
		WELDED DISC / BLACK RUBBER	BALL	200	5-36-113	3		
		WELDED DISC / GREY RUBBER	BALL	200	5-36-113G	3		
		ADVANTAGE TPR / ROUND	DELRIN	250	5-36-314GD	3		
		ADVANTAGE TPR / ROUND	BALL	250	5-36-213GD	3		
		HARD RUBBER	DELRIN	280	5-36-106	2-3/4		
		HARD RUBBER	BALL	280	5-36-162	2-3/4		
		HARD RUBBER W/ SIDE PLATES*	BALL	280	5-36-462*	2-3/4		
		WELDED DISC / POLYURETHANE	BALL	300	5-36-113P	3		
		POLYLOC / GREY	BALL	300	5-36-213G	3		
		POLYLOC / GREY	DELRIN	300	5-36-314G	3		
		POLYLOC / BLUE	BALL	300	5-36-213P	3		
		POLYOLEFIN	PLAIN	300	5-36-513	3		
	POLYOLEFIN	BALL	300	5-36-514	3			
	ADVANTAGE HEAT ROUND	S.S. BALL	300	5-36-213RTR	3			
	ADVANTAGE HEAT FLAT	S.S. BALL	300	5-36-213RTF	3			
	ADVANTAGE HEALTH	S.S. BALL	300	5-36-213MF	3			
	ADVANTAGE TPR / FLAT	DELRIN	325	5-36-314GF	3			
	ADVANTAGE TPR / FLAT	BALL	325	5-36-213GF	3			
1 1/2	PHENOLIC	PLAIN	300	5-36-121	3			
HI-TEMP RESIN	PLAIN	325	5-36-521NHT	3				
6	1 1/4	CUSHION RUBBER	DELRIN	220	6-36-105	3-1/8	7 1/16	4 1/2
		CONDUCTIVE CUSHION RUBBER	SINTERED	220	6-36-105C	3-1/8		
		WELDED DISC / BLACK RUBBER	BALL	250	6-36-113	3-3/4		
		WELDED DISC / GREY RUBBER	BALL	250	6-36-113G	3-3/4		
		HARD RUBBER	DELRIN	300	6-36-106	3-1/8		
		HARD RUBBER	BALL	300	6-36-162	3-1/8		
		WELDED DISC / POLYURETHANE	BALL	300	6-36-113P	3-3/4		
		ADVANTAGE TPR / ROUND	DELRIN	300	6-36-314GD	3-3/4		
		ADVANTAGE TPR / ROUND	BALL	300	6-36-213GD	3-3/4		
		POLYLOC / GREY	BALL	300	6-36-213G	3-3/4		
		POLYLOC / GREY	DELRIN	300	6-36-314G	3-3/4		
		POLYLOC / BLUE	BALL	300	6-36-213P	3-3/4		
	ADVANTAGE HEAT ROUND	S.S. BALL	325	6-36-213RTR	3-3/4			
	ADVANTAGE HEAT FLAT	S.S. BALL	325	6-36-213RTF	3-3/4			
	ADVANTAGE HEALTH	S.S. BALL	325	6-36-213MF	3-3/4			
	1 1/2	PHENOLIC	PLAIN	300	6-36-121	3-3/4		
	POLYOLEFIN	PLAIN	300	6-36-521	3-3/4			

* Grey tread wheels are available (consult factory).

3S Series




Hollow Kingpin

Capacity to 325 pounds each

FEATURES

- ✓ **Finish:** bright zinc plating to resist rust and corrosion.
- ✓ **Design:** heavy gauge cold rolled steel, formed for strength.
- ✓ **Dust Cap:** all swivel models feature dust cap which protects swivel raceway bearings and improves performance.
- ✓ **Swivel Construction:** double ball bearing with hardened raceways.
- ✓ **Axle:** 3/8" diameter bolt with lock nut.
- ✓ **King Pin:** 1/2" hollow rivet, hydraulically upset.

CASTER OPTIONS

- ✓ **Bright Nickel Plating:** to order, add "5" to body of model number (Example: 5-3S5-105). **Other finishes available**, see page 13.
- ✓ **PosiLoc® Brake:** all stainless steel construction. To order, add "PL" to end of model number (not available on 2-1/2" wheel models).
 
- ✓ **VertiLoc® Brake:** to order, add "VL" to end of model number (not available on 2-1/2" wheel models).
 
- ✓ **Precision Ball Wheel Bearing:** Sealed precision ball bearing available for most wheels—consult factory.
- ✓ **Swivel Grease Seal:** Includes zerk grease fitting in dust cap. To order, add "GS" to end of model number.
 
- ✓ **Thread Guards:** See page 94 for thread guard availability.



5-3S-3146F
(shown in photo)

MOUNTING OPTIONS

Hollow kingpin casters are designed to accept a 3/8" diameter bolt or other stem type.

WHEEL OPTIONS



Wheel Diameter (Inches)	Tread Width (Inches)	Wheel Type	Bearing	Capacity (Pounds)	Hollow Kingpin Model Number	Approximate Weight (Pounds)	Load Height (Inches)	Swivel Radius (Inches)
2 1/2	1 1/4	CUSHION RUBBER	DELTRIN	140	2-1/2-3S-105	1-11/16	3 7/16	2 3/4
		HARD RUBBER	DELTRIN	210	2-1/2-3S-106	1-11/16		
		POLYOLEFIN	PLAIN	210	2-1/2-3S-513	1-11/16		
3	1 1/4	CUSHION RUBBER	DELTRIN	150	3-3S-105	1-3/4	3 15/16	3
		CUSHION RUBBER	BALL	150	3-3S-152	1-3/4		
		HARD RUBBER	DELTRIN	220	3-3S-106	1-3/4		
		HARD RUBBER	BALL	220	3-3S-162	1-3/4		
		POLYOLEFIN	PLAIN	250	3-3S-521	1-3/4		
	PHENOLIC	PLAIN	300	3-3S-121	1-3/4			
3 1/2	1 1/4	CUSHION RUBBER	DELTRIN	160	3-1/2-3S-105	2	4 7/16	3 1/4
		CUSHION RUBBER W/ SIDE PLATES*	BALL	160	3-1/2-3S-452*	2		
		WELDED DISC / BLACK RUBBER	BALL	200	3-1/2-3S-113	2-3/16		
		WELDED DISC / GREY RUBBER	BALL	225	3-1/2-3S-113G	2-3/16		
		ADVANTAGE TPR / ROUND	DELTRIN	225	3-1/2-3S-314GD	2-3/16		
		ADVANTAGE TPR / ROUND	BALL	225	3-1/2-3S-213GD	2-3/16		
		ADVANTAGE HEAT ROUND	S.S. BALL	225	3-1/2-3S-213RTR	2-3/16		
		ADVANTAGE HEAT FLAT	S.S. BALL	225	3-1/2-3S-213RTF	2-3/16		
ADVANTAGE HEALTH	S.S. BALL	225	3-1/2-3S-213MF	2-3/16				

Wheel Diameter (Inches)	Tread Width (Inches)	Wheel Type	Bearing	Capacity (Pounds)	Hollow Kingpin Model Number	Approximate Weight (Pounds)	Load Height (Inches)	Swivel Radius (Inches)
3 1/2	1 1/4	HARD RUBBER	DELRIN	230	3-1/2-3S-106	2	4 7/16	3 1/4
		HARD RUBBER W/ SIDE PLATES*	BALL	230	3-1/2-3S-462*	2-3/16		
		POLYOLEFIN	PLAIN	250	3-1/2-3S-513	2-3/16		
		HI-TEMP RESIN	PLAIN	250	3-1/2-3S-521HTN	2-1/2		
		WELDED DISC / POLYURETHANE	BALL	250	3-1/2-3S-113P	2-3/16		
		ADVANTAGE TPR / FLAT	DELRIN	250	3-1/2-3S-314GF	2-3/16		
		ADVANTAGE TPR / FLAT	BALL	250	3-1/2-3S-213GF	2-3/16		
		POLYLOC / GREY	BALL	250	3-1/2-3S-213G	2-3/16		
		POLYLOC / GREY	DELRIN	250	3-1/2-3S-314G	2-3/16		
		POLYLOC / BLUE	BALL	250	3-1/2-3S-213P	2-3/16		
4	1 1/4	CUSHION RUBBER	DELRIN	170	4-3S-105	2-3/8	4 15/16	3 1/2
		CUSHION RUBBER W/ SIDE PLATES*	BALL	170	4-3S-452*	2-3/8		
		WELDED DISC / BLACK RUBBER	BALL	200	4-3S-113	2-1/2		
		WELDED DISC / GREY RUBBER	BALL	200	4-3S-113G	2-1/2		
		HARD RUBBER	DELRIN	250	4-3S-106	2-3/8		
		HARD RUBBER W/ SIDE PLATES*	BALL	250	4-3S-462*	2-3/8		
		ADVANTAGE TPR / ROUND	DELRIN	250	4-3S-314GD	2-1/2		
		ADVANTAGE TPR / ROUND	BALL	250	4-3S-213GD	2-1/2		
		WELDED DISC / POLYURETHANE	BALL	275	4-3S-113P	2-1/2		
		POLYLOC / GREY	BALL	275	4-3S-213G	2-1/2		
		POLYLOC / GREY	DELRIN	275	4-3S-314G	2-1/2		
		POLYLOC / BLUE	BALL	275	4-3S-213P	2-1/2		
		POLYOLEFIN	PLAIN	275	4-3S-513	2-1/2		
		ADVANTAGE TPR / FLAT	DELRIN	300	4-3S-314GF	2-1/2		
	ADVANTAGE TPR / FLAT	BALL	300	4-3S-213GF	2-1/2			
	ADVANTAGE HEAT ROUND	S.S. BALL	300	4-3S-213RTR	2-1/2			
	ADVANTAGE HEAT FLAT	S.S. BALL	300	4-3S-213RTF	2-1/2			
	ADVANTAGE HEALTH	S.S. BALL	300	4-3S-213MF	2-1/2			
	1 1/2	PHENOLIC	PLAIN	300	4-3S-121	2-1/2		
	HI-TEMP RESIN	PLAIN	300	4-3S-521HT	2-1/2			
5	1 1/4	CUSHION RUBBER	DELRIN	200	5-3S-105	2-3/4	6 1/16	4
		CONDUCTIVE CUSHION RUBBER	SINTERED	200	5-3S-105C	2-3/4		
		CUSHION RUBBER	BALL	200	5-3S-152	2-3/4		
		CUSHION RUBBER W/ SIDE PLATES*	BALL	200	5-3S-452*	2-3/4		
		WELDED DISC / BLACK RUBBER	BALL	200	5-3S-113	3		
		WELDED DISC / GREY RUBBER	BALL	200	5-3S-113G	3		
		ADVANTAGE TPR / ROUND	DELRIN	250	5-3S-314GD	3		
		ADVANTAGE TPR / ROUND	BALL	250	5-3S-213GD	3		
		HARD RUBBER	DELRIN	280	5-3S-106	2-3/4		
		HARD RUBBER	BALL	280	5-3S-162	2-3/4		
		HARD RUBBER W/ SIDE PLATES*	BALL	280	5-3S-462*	2-3/4		
		WELDED DISC / POLYURETHANE	BALL	300	5-3S-113P	3		
		POLYLOC / GREY	BALL	300	5-3S-213G	3		
		POLYLOC / GREY	DELRIN	300	5-3S-314G	3		
		POLYLOC / BLUE	BALL	300	5-3S-213P	3		
		POLYOLEFIN	PLAIN	300	5-3S-513	3		
		POLYOLEFIN	BALL	300	5-3S-514	3		
	ADVANTAGE HEAT ROUND	S.S. BALL	300	5-3S-213RTR	3			
	ADVANTAGE HEAT FLAT	S.S. BALL	300	5-3S-213RTF	3			
	ADVANTAGE HEALTH	S.S. BALL	300	5-3S-213MF	3			
	ADVANTAGE TPR / FLAT	DELRIN	325	5-3S-314GF	3			
	ADVANTAGE TPR / FLAT	BALL	325	5-3S-213GF	3			
	1 1/2	PHENOLIC	PLAIN	300	5-3S-121	3		
HI-TEMP RESIN	PLAIN	325	5-3S-521NHT	3				
6	1 1/4	CUSHION RUBBER	DELRIN	220	6-3S-105	3-1/8	7 1/16	4 1/2
		CONDUCTIVE CUSHION RUBBER	SINTERED	220	6-3S-105C	3-1/8		
		WELDED DISC / BLACK RUBBER	BALL	250	6-3S-113	3-3/4		
		WELDED DISC / GREY RUBBER	BALL	250	6-3S-113G	3-3/4		
		HARD RUBBER	DELRIN	300	6-3S-106	3-1/8		
		HARD RUBBER	BALL	300	6-3S-162	3-1/8		
		WELDED DISC / POLYURETHANE	BALL	300	6-3S-113P	3-3/4		
		ADVANTAGE TPR / ROUND	DELRIN	300	6-3S-314GD	3-3/4		
		ADVANTAGE TPR / ROUND	BALL	300	6-3S-213GD	3-3/4		
		POLYLOC / GREY	BALL	300	6-3S-213G	3-3/4		
		POLYLOC / GREY	DELRIN	300	6-3S-314G	3-3/4		
		POLYLOC / BLUE	BALL	300	6-3S-213P	3-3/4		
		ADVANTAGE HEAT ROUND	S.S. BALL	325	6-3S-213RTR	3-3/4		
		ADVANTAGE HEAT FLAT	S.S. BALL	325	6-3S-213RTF	3-3/4		
	ADVANTAGE HEALTH	S.S. BALL	325	6-3S-213MF	3-3/4			
	1 1/2	PHENOLIC	PLAIN	300	6-3S-121	3-3/4		
	POLYOLEFIN	PLAIN	300	6-3S-521	3-3/4			

* Grey tread wheels are available (consult factory).

40 Series




Expanding Adapter Stem

Capacity to 325 pounds each

FEATURES

- ✓ **Finish:** bright zinc plating to resist rust and corrosion.
- ✓ **Design:** heavy gauge cold rolled steel, formed for strength.
- ✓ **Dust Cap:** all swivel models feature dust cap which protects swivel raceway bearings and improves performance.
- ✓ **Swivel Construction:** double ball bearing with hardened raceways.
- ✓ **Axle:** 3/8" diameter bolt with lock nut.
- ✓ **King Pin:** 1/2" steel rivet, hydraulically upset.

CASTER OPTIONS

- ✓ **Bright Nickel Plating:** to order, add "5" to body of model number (Example: 5-405-105). **Other finishes available**, see page 13.
- ✓ **PosiLoc® Brake:** all stainless steel construction. To order, add "PL" to end of model number (not available on 2-1/2" wheel models). 
- ✓ **VertiLoc® Brake:** to order, add "VL" to end of model number (not available on 2-1/2" wheel models). 
- ✓ **Precision Ball Wheel Bearing:** Sealed precision ball bearing available for most wheels—consult factory.
- ✓ **Swivel Grease Seal:** Includes zerk grease fitting in dust cap. To order, add "GS" to end of model number. 
- ✓ **Thread Guards:** See page 94 for thread guard availability.



5-40-452 19A
(shown in photo)

MOUNTING OPTIONS

Rubber bushing expands inside of tubing as 3/4" nut beneath lower raceway is turned with wrench. Plastic bushing on bottom of stem provides stability for stem inside of tubing for tight, permanent fit.

See chart at right for adapter sizes and matching tube sizes. To order, add adapter number to end of model number (example: 5-40-105 9).

Threaded stem size (less adapter): 1/2" diameter x 2- 3/4" long.

Adapter Number	Tubing I.D. (inches)
9	3/4"
11	7/8"
13	1"
15	1-1/8"
17 B	1-3/16"
19 C	1-3/8"
19 A	1-1/2"
21	1-7/8"

WHEEL OPTIONS



Wheel Diameter (Inches)	Tread Width (Inches)	Wheel Type	Bearing	Capacity (Pounds)	Expanding Adapter Stem Model Number	Approximate Weight (Pounds)	Load Height (Inches)	Swivel Radius (Inches)
2 1/2	1 1/4	CUSHION RUBBER	DELIRIN	140	2-1/2-40-105	1-11/16	3 7/16	2 3/4
		HARD RUBBER	DELIRIN	210	2-1/2-40-106	1-11/16		
		POLYOLEFIN	PLAIN	210	2-1/2-40-513	1-11/16		
3	1 1/4	CUSHION RUBBER	DELIRIN	150	3-40-105	1-3/4	3 15/16	3
		CUSHION RUBBER	BALL	150	3-40-152	1-3/4		
		HARD RUBBER	DELIRIN	220	3-40-106	1-3/4		
		HARD RUBBER	BALL	220	3-40-162	1-3/4		
		POLYOLEFIN	PLAIN	250	3-40-521	1-3/4		
	PHENOLIC	PLAIN	300	3-40-121	1-3/4			
3 1/2	1 1/4	CUSHION RUBBER	DELIRIN	160	3-1/2-40-105	2	4 7/16	3 1/4
		CUSHION RUBBER W/ SIDE PLATES*	BALL	160	3-1/2-40-452*	2		
		WELDED DISC / BLACK RUBBER	BALL	200	3-1/2-40-113	2-3/16		
		WELDED DISC / GREY RUBBER	BALL	225	3-1/2-40-113G	2-3/16		
		ADVANTAGE TPR / ROUND	DELIRIN	225	3-1/2-40-314GD	2-3/16		
		ADVANTAGE TPR / ROUND	BALL	225	3-1/2-40-213GD	2-3/16		
		ADVANTAGE HEAT ROUND	S.S. BALL	225	3-1/2-40-213RTR	2-3/16		
		ADVANTAGE HEAT FLAT	S.S. BALL	225	3-1/2-40-213RTF	2-3/16		
ADVANTAGE HEALTH	S.S. BALL	225	3-1/2-40-213MF	2-3/16				

Wheel Diameter (Inches)	Tread Width (Inches)	Wheel Type	Bearing	Capacity (Pounds)	Expanding Adapter Stem Model Number	Approximate Weight (Pounds)	Load Height (Inches)	Swivel Radius (Inches)
3 1/2	1 1/4	HARD RUBBER	DELRIN	230	3-1/2-40-106	2	4 7/16	3 1/4
		HARD RUBBER W/ SIDE PLATES*	BALL	230	3-1/2-40-462*	2-3/16		
		POLYOLEFIN	PLAIN	250	3-1/2-40-513	2-3/16		
		HI-TEMP RESIN	PLAIN	250	3-1/2-40-521HTN	2-1/2		
		WELDED DISC / POLYURETHANE	BALL	250	3-1/2-40-113P	2-3/16		
		ADVANTAGE TPR / FLAT	DELRIN	250	3-1/2-40-314GF	2-3/16		
		ADVANTAGE TPR / FLAT	BALL	250	3-1/2-40-213GF	2-3/16		
		POLYLOC / GREY	BALL	250	3-1/2-40-213G	2-3/16		
		POLYLOC / GREY	DELRIN	250	3-1/2-40-314G	2-3/16		
		POLYLOC / BLUE	BALL	250	3-1/2-40-213P	2-3/16		
4	1 1/4	CUSHION RUBBER	DELRIN	170	4-40-105	2-3/8	4 15/16	3 1/2
		CUSHION RUBBER W/ SIDE PLATES*	BALL	170	4-40-452*	2-3/8		
		WELDED DISC / BLACK RUBBER	BALL	200	4-40-113	2-1/2		
		WELDED DISC / GREY RUBBER	BALL	200	4-40-113G	2-1/2		
		HARD RUBBER	DELRIN	250	4-40-106	2-3/8		
		HARD RUBBER W/ SIDE PLATES*	BALL	250	4-40-462*	2-3/8		
		ADVANTAGE TPR / ROUND	DELRIN	250	4-40-314GD	2-1/2		
		ADVANTAGE TPR / ROUND	BALL	250	4-40-213GD	2-1/2		
		WELDED DISC / POLYURETHANE	BALL	275	4-40-113P	2-1/2		
		POLYLOC / GREY	BALL	275	4-40-213G	2-1/2		
		POLYLOC / GREY	DELRIN	275	4-40-314G	2-1/2		
		POLYLOC / BLUE	BALL	275	4-40-213P	2-1/2		
		POLYOLEFIN	PLAIN	275	4-40-513	2-1/2		
		ADVANTAGE TPR / FLAT	DELRIN	300	4-40-314GF	2-1/2		
	ADVANTAGE TPR / FLAT	BALL	300	4-40-213GF	2-1/2			
	ADVANTAGE HEAT ROUND	S.S. BALL	300	4-40-213RTR	2-1/2			
	ADVANTAGE HEAT FLAT	S.S. BALL	300	4-40-213RTF	2-1/2			
	ADVANTAGE HEALTH	S.S. BALL	300	4-40-213MF	2-1/2			
	1 1/2	PHENOLIC	PLAIN	300	4-40-121	2-1/2		
		HI-TEMP RESIN	PLAIN	300	4-40-521HT	2-1/2		
5	1 1/4	CUSHION RUBBER	DELRIN	200	5-40-105	2-3/4	6 1/16	4
		CONDUCTIVE CUSHION RUBBER	SINTERED	200	5-40-105C	2-3/4		
		CUSHION RUBBER	BALL	200	5-40-152	2-3/4		
		CUSHION RUBBER W/ SIDE PLATES*	BALL	200	5-40-452*	2-3/4		
		WELDED DISC / BLACK RUBBER	BALL	200	5-40-113	3		
		WELDED DISC / GREY RUBBER	BALL	200	5-40-113G	3		
		ADVANTAGE TPR / ROUND	DELRIN	250	5-40-314GD	3		
		ADVANTAGE TPR / ROUND	BALL	250	5-40-213GD	3		
		HARD RUBBER	DELRIN	280	5-40-106	2-3/4		
		HARD RUBBER	BALL	280	5-40-162	2-3/4		
		HARD RUBBER W/ SIDE PLATES*	BALL	280	5-40-462*	2-3/4		
		WELDED DISC / POLYURETHANE	BALL	300	5-40-113P	3		
		POLYLOC / GREY	BALL	300	5-40-213G	3		
		POLYLOC / GREY	DELRIN	300	5-40-314G	3		
	POLYLOC / BLUE	BALL	300	5-40-213P	3			
	POLYOLEFIN	PLAIN	300	5-40-513	3			
	POLYOLEFIN	BALL	300	5-40-514	3			
	ADVANTAGE HEAT ROUND	S.S. BALL	300	5-40-213RTR	3			
	ADVANTAGE HEAT FLAT	S.S. BALL	300	5-40-213RTF	3			
	ADVANTAGE HEALTH	S.S. BALL	300	5-40-213MF	3			
ADVANTAGE TPR / FLAT	DELRIN	325	5-40-314GF	3				
ADVANTAGE TPR / FLAT	BALL	325	5-40-213GF	3				
1 1/2	PHENOLIC	PLAIN	300	5-40-121	3			
	HI-TEMP RESIN	PLAIN	325	5-40-521NHT	3			
6	1 1/4	CUSHION RUBBER	DELRIN	220	6-40-105	3-1/8	7 1/16	4 1/2
		CONDUCTIVE CUSHION RUBBER	SINTERED	220	6-40-105C	3-1/8		
		WELDED DISC / BLACK RUBBER	BALL	250	6-40-113	3-3/4		
		WELDED DISC / GREY RUBBER	BALL	250	6-40-113G	3-3/4		
		HARD RUBBER	DELRIN	300	6-40-106	3-1/8		
		HARD RUBBER	BALL	300	6-40-162	3-1/8		
		WELDED DISC / POLYURETHANE	BALL	300	6-40-113P	3-3/4		
		ADVANTAGE TPR / ROUND	DELRIN	300	6-40-314GD	3-3/4		
		ADVANTAGE TPR / ROUND	BALL	300	6-40-213GD	3-3/4		
		POLYLOC / GREY	BALL	300	6-40-213G	3-3/4		
		POLYLOC / GREY	DELRIN	300	6-40-314G	3-3/4		
		POLYLOC / BLUE	BALL	300	6-40-213P	3-3/4		
		ADVANTAGE HEAT ROUND	S.S. BALL	325	6-40-213RTR	3-3/4		
	ADVANTAGE HEAT FLAT	S.S. BALL	325	6-40-213RTF	3-3/4			
	ADVANTAGE HEALTH	S.S. BALL	325	6-40-213MF	3-3/4			
	1 1/2	PHENOLIC	PLAIN	300	6-40-121	3-3/4		
		POLYOLEFIN	PLAIN	300	6-40-521	3-3/4		

* Grey tread wheels are available (consult factory).

50 Series

Top Plate Total Lock • Swivel Lock

Capacity to 325 pounds each

FEATURES

- ✓ **Finish:** bright nickel plated for attractive appearance and rust and corrosion resistance.
- ✓ **Design:** heavy gauge cold rolled steel, formed for strength.
- ✓ **Dust Cap:** all swivel models feature dust cap which protects swivel raceway bearings and improves performance.
- ✓ **Swivel Construction:** double ball bearing with hardened raceways.
- ✓ **Axle:** 3/8" diameter bolt with lock nut.
- ✓ **King Pin:** 1/2" steel rivet, hydraulically upset.

CASTER OPTIONS

- ✓ **2-position and 4-position Swivel Locks:** available in 90° intervals – consult factory.
- ✓ **Precision Ball Wheel Bearing:** Sealed precision ball bearing available for most wheels – consult factory.
- ✓ **Thread Guards:** See page 94 for thread guard availability.
- ✓ **Optional Top Plate Sizes:** variety of top plate sizes available – consult factory.
- ✓ **Grease Seal:** Upper raceway.



SWIVEL LOCK
5-50-213G SL1
(shown in photo)

TOTAL LOCK
5-50-213GD TL
(shown in photo)

MOUNTING OPTIONS

Top Plate Sizes (swivel & rigid)

Top Plate Size	Bolt Hole Spacing	Mounting Bolt Size
2-3/8" x 3-5/8"	1-3/4" x 3"	5/16"

Total Lock – simultaneously locks swivel and wheel in any position. Thermoplastic brake pedal is maintenance-free and provides positive locking force.

Swivel Lock (1-position) – swivel locks in trailing position at 180° while wheel spins freely. Thermoplastic brake pedal is maintenance-free and provides positive locking force.

WHEEL OPTIONS



Cushion or Hard Rubber w/Side Plates

Advantage TPR Flat

Advantage Health Antimicrobial

Welded Disc Blue Poly, Black or Grey Rubber

PolyLoc Grey or Blue

Total Lock & Swivel Lock Models

Wheel Diameter (Inches)	Tread Width (Inches)	Wheel Type	Bearing	Capacity (Pounds)	Total Lock Model Number	Swivel Lock Model Number	Approximate Weight (Pounds)	Load Height (Inches)	Swivel Radius (Inches)
4	1 1/4	WELDED DISC / GREY RUBBER	BALL	200	4-50-113G TL	4-50-113G SL1	2-3/4	5 1/8	3 3/4
		ADVANTAGE TPR / ROUND ¹	BALL	250	4-50-213GD TL	4-50-213GD SL1	2-3/4		
		WELDED DISC / POLYURETHANE	BALL	275	4-50-113P TL	4-50-113P SL1	2-3/4		
		POLYLOC / GREY	BALL	275	4-50-213G TL	4-50-213G SL1	2-3/4		
		POLYLOC / BLUE	BALL	275	4-50-213P TL	4-50-213P SL1	2-3/4		
		ADVANTAGE TPR / FLAT ¹	BALL	300	4-50-213GF TL	4-50-213GF SL1	2-3/4		
		ADVANTAGE HEALTH FLAT	S.S. BALL	300	4-50-213MF TL	4-50-213MF SL1	2-3/4		
5	1 1/4	CUSHION RUBBER W/ SIDE PLATES ²	BALL	200	5-50-500 TL	5-50-500 SL1	3	6 1/4	4 1/4
		WELDED DISC / GREY RUBBER	BALL	200	5-50-113G TL	5-50-113G SL1	3		
		ADVANTAGE TPR / ROUND ¹	BALL	250	5-50-213GD TL	5-50-213GD SL1	3		
		WELDED DISC / POLYURETHANE	BALL	300	5-50-113P TL	5-50-113P SL1	3		
		POLYLOC / GREY	BALL	300	5-50-213G TL	5-50-213G SL1	3		
		POLYLOC / BLUE	BALL	300	5-50-213P TL	5-50-213P SL1	3		
		ADVANTAGE HEALTH FLAT	S.S. BALL	300	5-50-213MF TL	5-50-213MF SL1	3		
ADVANTAGE TPR / FLAT ¹	BALL	325	5-50-213GF TL	5-50-213GF SL1	3				
6	1 1/4	CUSHION RUBBER W/ SIDE PLATES ²	BALL	220	6-50-500 TL	6-50-500 SL1	3-1/2	7 1/4	4 3/4
		WELDED DISC / GREY RUBBER	BALL	250	6-50-113G TL	6-50-113G SL1	3-1/2		
		WELDED DISC / POLYURETHANE	BALL	300	6-50-113P TL	6-50-113P SL1	3-1/2		
		ADVANTAGE TPR / ROUND ¹	BALL	300	6-50-213GD TL	6-50-213GD SL1	3-1/2		
		POLYLOC / GREY	BALL	300	6-50-213G TL	6-50-213G SL1	3-1/2		
		POLYLOC / BLUE	BALL	300	6-50-213P TL	6-50-213P SL1	3-1/2		
		ADVANTAGE HEALTH FLAT	S.S. BALL	325	6-50-213MF TL	6-50-213MF SL1	3-1/2		

¹Delrin bearing also available, consult factory. ²Grey tread wheels are available, consult factory.

54 Series

Round or Square Stem Total Lock • Swivel Lock

Capacity to 325 pounds each

FEATURES

- ✓ **Finish:** bright nickel plated for attractive appearance and rust and corrosion resistance.
- ✓ **Design:** heavy gauge cold rolled steel, formed for strength.
- ✓ **Dust Cap:** all swivel models feature dust cap which protects swivel raceway bearings and improves performance.
- ✓ **Swivel Construction:** double ball bearing with hardened raceways.
- ✓ **Axle:** 3/8" diameter bolt with lock nut.
- ✓ **King Pin:** 1/2" steel, hydraulically upset.

CASTER OPTIONS

- ✓ **2-position and 4-position Swivel Locks:** available in 90° intervals – consult factory.
- ✓ **Precision Ball Wheel Bearing:** Sealed precision ball bearing available for most wheels – consult factory.
- ✓ **Thread Guards:** See page 94 for thread guard availability.
- ✓ **Optional Stem Sizes:** variety of top plate sizes available – consult factory.



TOTAL LOCK
5-54-213GD TL STEM 1
(shown in photo -- round stem)

SWIVEL LOCK
5-54-213P SL1 STEM 1
(shown in photo -- round stem)

MOUNTING OPTIONS

Standard Stem Sizes: to order, specify stem code number and add to end of caster model number (Example: 5-54-213G STEM 1)

Stem Code	Stem Sizes
STEM 1	.845" diameter round x 2- 3/16" long
STEM 2	.865" diameter round x 2- 3/16" long
STEM 3	1" diameter round x 2- 3/16" long
STEM 4	.860 diameter SQUARE x 2- 3/16" long

Total Lock – simultaneously locks swivel and wheel in any position. Thermoplastic brake pedal is maintenance-free and provides positive locking force.

Swivel Lock (1-position) – swivel locks in trailing position at 180° while wheel spins freely. Thermoplastic brake pedal is maintenance-free and provides positive locking force.

WHEEL OPTIONS



Cushion or Hard Rubber w/Side Plates

Advantage TPR Flat

Advantage Health Antimicrobial

Welded Disc Blue Poly, Black or Grey Rubber

PolyLoc Grey or Blue

Total Lock & Swivel Lock Models

Wheel Diameter (Inches)	Tread Width (Inches)	Wheel Type	Bearing	Capacity (Pounds)	Total Lock Model Number	Swivel Lock Model Number	Approximate Weight (Pounds)	Load Height (Inches)	Swivel Radius (Inches)
4	1 1/4	WELDED DISC / GREY RUBBER	BALL	200	4-54-113G TL	4-54-113G SL1	2-3/4	5	3 3/4
		ADVANTAGE TPR / ROUND ¹	BALL	250	4-54-213GD TL	4-54-213GD SL1	2-3/4		
		WELDED DISC / POLYURETHANE	BALL	275	4-54-113P TL	4-54-113P SL1	2-3/4		
		POLYLOC / GREY	BALL	275	4-54-213G TL	4-54-213G SL1	2-3/4		
		POLYLOC / BLUE	BALL	275	4-54-213P TL	4-54-213P SL1	2-3/4		
		ADVANTAGE TPR / FLAT ¹	BALL	300	4-54-213GF TL	4-54-213GF SL1	2-3/4		
		ADVANTAGE HEALTH FLAT	S.S. BALL	300	4-54-213MF TL	4-54-213MF SL1	2-3/4		
5	1 1/4	CUSHION RUBBER W/ SIDE PLATES ²	BALL	200	5-54-500 TL	5-54-500 SL1	3	6 1/16	4 1/4
		WELDED DISC / GREY RUBBER	BALL	200	5-54-113G TL	5-54-113G SL1	3		
		ADVANTAGE TPR / ROUND ¹	BALL	250	5-54-213GD TL	5-54-213GD SL1	3		
		WELDED DISC / POLYURETHANE	BALL	300	5-54-113P TL	5-54-113P SL1	3		
		POLYLOC / GREY	BALL	300	5-54-213G TL	5-54-213G SL1	3		
		POLYLOC / BLUE	BALL	300	5-54-213P TL	5-54-213P SL1	3		
		ADVANTAGE HEALTH FLAT	S.S. BALL	300	5-54-213MF TL	5-54-213MF SL1	3		
ADVANTAGE TPR / FLAT ¹	BALL	325	5-54-213GF TL	5-54-213GF SL1	3				
6	1 1/4	CUSHION RUBBER W/ SIDE PLATES ²	BALL	220	6-54-500 TL	6-54-500 SL1	3-1/2	7 1/16	4 3/4
		WELDED DISC / GREY RUBBER	BALL	250	6-54-113G TL	6-54-113G SL1	3-1/2		
		WELDED DISC / POLYURETHANE	BALL	300	6-54-113P TL	6-54-113P SL1	3-1/2		
		ADVANTAGE TPR / ROUND ¹	BALL	300	6-54-213GD TL	6-54-213GD SL1	3-1/2		
		POLYLOC / GREY	BALL	300	6-54-213G TL	6-54-213G SL1	3-1/2		
		POLYLOC / BLUE	BALL	300	6-54-213P TL	6-54-213P SL1	3-1/2		
		ADVANTAGE HEALTH FLAT	S.S. BALL	325	6-54-213MF TL	6-54-213MF SL1	3-1/2		

¹Delrin bearing also available, consult factory.

²Grey tread wheels are available, consult factory.

56 Series

Threaded Stem Total Lock • Swivel Lock Capacity to 325 pounds each

FEATURES

- ✓ **Finish:** bright nickel plated for attractive appearance and rust and corrosion resistance.
- ✓ **Design:** heavy gauge cold rolled steel, formed for strength.
- ✓ **Dust Cap:** all swivel models feature dust cap which protects swivel raceway bearings and improves performance.
- ✓ **Swivel Construction:** double ball bearing with hardened raceways.
- ✓ **Axle:** 3/8" diameter bolt with lock nut.
- ✓ **King Pin:** 1/2" steel, hydraulically upset.

CASTER OPTIONS

- ✓ **2-position and 4-position Swivel Locks:** available in 90° intervals – consult factory.
- ✓ **Precision Ball Wheel Bearing:** Sealed precision ball bearing available for most wheels – consult factory.
- ✓ **Thread Guards:** See page 94 for thread guard availability.
- ✓ **Optional Stem Sizes:** variety of stem sizes available – consult factory.



TOTAL LOCK
5-56-213GF SL1 STEM 1
(shown in photo)

TOTAL LOCK
5-56-213P TL STEM 1
(shown in photo)

MOUNTING OPTIONS

Standard Stem Sizes: to order, specify stem code number and add to end of caster model number (Example: 5-56-213G **STEM 1**).

Stem Code	Threaded Stem Sizes
STEM 1	1/2" diameter -13 x 1" long
STEM 2	1/2" diameter -13 x 1-1/2" long
STEM 3	3/4" diameter-10 x 1-3/4" long

Total Lock – simultaneously locks swivel and wheel in any position. Thermoplastic brake pedal is maintenance-free and provides positive locking force.

Swivel Lock (1-position) – swivel locks in trailing position at 180° while wheel spins freely. Thermoplastic brake pedal is maintenance-free and provides positive locking force.

WHEEL OPTIONS



Cushion or Hard Rubber w/Side Plates

Advantage TPR Flat

Advantage Health Antimicrobial

Welded Disc Blue Poly, Black or Grey Rubber

PolyLoc Grey or Blue

Total Lock & Swivel Lock Models

Wheel Diameter (Inches)	Tread Width (Inches)	Wheel Type	Bearing	Capacity (Pounds)	Total Lock Model Number	Swivel Lock Model Number	Approximate Weight (Pounds)	Load Height (Inches)	Swivel Radius (Inches)
4	1 1/4	WELDED DISC / GREY RUBBER	BALL	200	4-56-113G TL	4-56-113G SL1	2-3/4	5	3 3/4
		ADVANTAGE TPR / ROUND ¹	BALL	250	4-56-213GD TL	4-56-213GD SL1	2-3/4		
		WELDED DISC / POLYURETHANE	BALL	275	4-56-113P TL	4-56-113P SL1	2-3/4		
		POLYLOC / GREY	BALL	275	4-56-213G TL	4-56-213G SL1	2-3/4		
		POLYLOC / BLUE	BALL	275	4-56-213P TL	4-56-213P SL1	2-3/4		
		ADVANTAGE TPR / FLAT ¹	BALL	300	4-56-213GF TL	4-56-213GF SL1	2-3/4		
		ADVANTAGE HEALTH FLAT	S.S. BALL	300	4-56-213MF TL	4-56-213MF SL1	2-3/4		
5	1 1/4	CUSHION RUBBER W/ SIDE PLATES ²	BALL	200	5-56-500 TL	5-56-500 SL1	3	6 1/16	4 1/4
		WELDED DISC / GREY RUBBER	BALL	200	5-56-113G TL	5-56-113G SL1	3		
		ADVANTAGE TPR / ROUND ¹	BALL	250	5-56-213GD TL	5-56-213GD SL1	3		
		WELDED DISC / POLYURETHANE	BALL	300	5-56-113P TL	5-56-113P SL1	3		
		POLYLOC / GREY	BALL	300	5-56-213G TL	5-56-213G SL1	3		
		POLYLOC / BLUE	BALL	300	5-56-213P TL	5-56-213P SL1	3		
		ADVANTAGE HEALTH FLAT	S.S. BALL	300	5-56-213MF TL	5-56-213MF SL1	3		
ADVANTAGE TPR / FLAT ¹	BALL	325	5-56-213GF TL	5-56-213GF SL1	3				
6	1 1/4	CUSHION RUBBER W/ SIDE PLATES ²	BALL	220	6-56-500 TL	6-56-500 SL1	3-1/2	7 1/16	4 3/4
		WELDED DISC / GREY RUBBER	BALL	250	6-56-113G TL	6-56-113G SL1	3-1/2		
		WELDED DISC / POLYURETHANE	BALL	300	6-56-113P TL	6-56-113P SL1	3-1/2		
		ADVANTAGE TPR / ROUND ¹	BALL	300	6-56-213GD TL	6-56-213GD SL1	3-1/2		
		POLYLOC / GREY	BALL	300	6-56-213G TL	6-56-213G SL1	3-1/2		
		POLYLOC / BLUE	BALL	300	6-56-213P TL	6-56-213P SL1	3-1/2		
		ADVANTAGE HEALTH FLAT	S.S. BALL	325	6-56-213MF TL	6-56-213MF SL1	3-1/2		

¹Delrin bearing also available, consult factory.

²Grey tread wheels are available, consult factory.

50N Series

Swivel & Rigid Top Plate
Swivel • Total Lock • Swivel Lock
Capacity to 300 pounds each

FEATURES

- ✓ **Finish:** bright zinc plating to resist rust and corrosion.
- ✓ **Design:** heavy gauge cold rolled steel, formed for strength.
- ✓ **Swivel Construction:** double ball bearing with hardened raceways.
- ✓ **Axle:** 3/8" diameter riveted nut and bolt.

CASTER OPTIONS

- ✓ **Total Lock** – simultaneously locks swivel and wheel in any position.



- ✓ **Swivel Lock (1-position)** – swivel locks in trailing position at 180° while wheel spins freely.



5-51N-213NF
(shown in photo)

5-50N-213NF
(shown in photo)

WHEEL OPTIONS



TPR Rubber
Flat



Polyurethane
Grey



Polyolefin

MOUNTING OPTIONS

Top Plate Sizes (swivel & rigid)

Top Plate Size	Bolt Hole Spacing	Mounting Bolt Size
2-3/4" x 3-3/4"	1-3/4" x 2-7/8" to 3"	5/16"

Swivel & Rigid Models

Wheel Diameter (Inches)	Tread Width (Inches)	Wheel Type	Bearing	Capacity (Pounds)	Swivel Caster Model Number	Rigid Caster Model Number	Approximate Weight (Pounds)	Load Height (Inches)	Swivel Radius (Inches)
3	1 1/4	TPR / FLAT	PRECISION BALL	170	3-50N-213NF	3-51N-213NF	1-3/4	4 3/8	2 3/16
		TPR / FLAT	PLAIN	170	3-50N-314NF	3-51N-314NF	1-3/4		
		POLYURETHANE / GREY	PRECISION BALL	250	3-50N-213NG	3-51N-213NG	1-3/4		
		POLYURETHANE / GREY	PLAIN	250	3-50N-314NG	3-51N-314NG	1-3/4		
4	1 1/4	TPR / FLAT	PRECISION BALL	190	4-50N-213NF	4-51N-213NF	2-1/2	5 7/16	3 5/16
		TPR / FLAT	PLAIN	190	4-50N-314NF	4-51N-314NF	2-1/2		
		POLYURETHANE / GREY	PRECISION BALL	300	4-50N-213NG	4-51N-213NG	2-1/2		
		POLYURETHANE / GREY	PLAIN	300	4-50N-314NG	4-51N-314NG	2-1/2		
5	1 1/4	TPR / FLAT	PRECISION BALL	200	5-50N-213NF	5-51N-213NF	3	6 1/2	3 3/16
		TPR / FLAT	PLAIN	200	5-50N-314NF	5-51N-314NF	3		
		POLYOLEFIN	PLAIN	300	5-50N-513	5-51N-513	3		
		POLYURETHANE / GREY	PRECISION BALL	300	5-50N-213NG	5-51N-213NG	3		
		POLYURETHANE / GREY	PLAIN	300	5-50N-314NG	5-51N-314NG	3		

Total Lock & Swivel Lock Models

Wheel Diameter (Inches)	Tread Width (Inches)	Wheel Type	Bearing	Capacity (Pounds)	Total Lock Model Number	Swivel Lock Model Number	Approximate Weight (Pounds)	Load Height (Inches)	Swivel Radius (Inches)
3	1 1/4	TPR / FLAT	PRECISION BALL	170	3-50N-213NF TL	3-50N-213NF SL1	2	4 3/8	4 1/8
		TPR / FLAT	PLAIN	170	3-50N-314NF TL	3-50N-314NF SL1	2		
		POLYURETHANE / GREY	PRECISION BALL	250	3-50N-213NG TL	3-50N-213NG SL1	2		
		POLYURETHANE / GREY	PLAIN	250	3-50N-314NG TL	3-50N-314NG SL1	2		
4	1 1/4	TPR / FLAT	PRECISION BALL	190	4-50N-213NF TL	4-50N-213NF SL1	2-3/4	5 7/16	4 1/8
		TPR / FLAT	PLAIN	190	4-50N-314NF TL	4-50N-314NF SL1	2-3/4		
		POLYURETHANE / GREY	PRECISION BALL	300	4-50N-213NG TL	4-50N-213NG SL1	2-3/4		
		POLYURETHANE / GREY	PLAIN	300	4-50N-314NG TL	4-50N-314NG SL1	2-3/4		
5	1 1/4	TPR / FLAT	PRECISION BALL	200	5-50N-213NF TL	5-50N-213NF SL1	3-1/4	6 1/2	4 1/8
		TPR / FLAT	PLAIN	200	5-50N-314NF TL	5-50N-314NF SL1	3-1/4		
		POLYOLEFIN	PLAIN	300	5-50N-513 TL	5-50N-513 SL1	3-1/4		
		POLYURETHANE / GREY	PRECISION BALL	300	5-50N-213NG TL	5-50N-213NG SL1	3-1/4		
		POLYURETHANE / GREY	PLAIN	300	5-50N-314NG TL	5-50N-314NG SL1	3-1/4		

Miraro

Zinc-Chromatized

Capacity to 220 lbs each

FEATURES

- ✓ **Finish:** zinc-chromatized.
- ✓ **Design:** pressed steel, double ball raceway swivel.
- ✓ **Brake Pedal:** chrome plated, zinc alloy standard.
- ✓ **Thread Guards:** plastic, except where noted.
- ✓ **Axle:** 5/16" diameter bolt with lock nut.
- ✓ **Environmentally Friendly:** non-toxic recyclable parts and ROHS compliant.

CASTER OPTIONS

- ✓ **Total Lock:** locks wheel and swivel simultaneously.
- ✓ **Directional Lock:** locks swivel only for easy rolling in straight line.
- ✓ **Nylon Brake Pedals:** consult factory.



Wheel Dia. (mm)	Tread Width (mm)	Wheel Type	Wheel Bearing	Cap. (lbs)	Total Lock Model Number	Directional Lock Model Number	Swivel Top Plate Model Number	Rigid Top Plate Model Number	Load Height (mm)	Swivel Offset (mm)
75	32	TPU	BALL	110	Y380P1/W300	Y380DP1/W300	Y381P1/W300	Y382P1/W300	107.0	33.0
		WHITE NYLON ¹	PLAIN	110	Y380P1/W309C	Y380DP1/W309C	Y381P1/W309C	Y382P1/W309C		
		ELAST. RUBBER	BLL	110	Y380P1/W324	Y380DP1/W324	Y381P1/W324	Y382P1/W324		
100	32	TPU	BALL	176	Y480P1/W400U	Y480DP1/W400U	Y481P1/W400U	Y482P1/W400U	135.0	40.5
		TPR	BALL	176	Y480P1/W403U	Y480DP1/W403U	Y481P1/W403U	Y482P1/W403U		
		WHITE NYLON ¹	PLAIN	176	Y480P1/W409C	Y480DP1/W409C	Y481P1/W409C	Y482P1/W409C		
		ELAST. RUBBER ²	BALL	176	Y480P1/W423	Y480DP1/W423	Y481P1/W423	Y482P1/W423		
		TPR ANTI-STATIC ³	BALL	176	Y480P1/W403DS-AS	Y480DP1/W403DS-AS	Y481P1/W403DS-AS	Y482P1/W403DS-AS		
125	32	TPU	BALL	220	Y580P1/W500U	Y580DP1/W500U	Y581P1/W500U	Y582P1/W500U	161.0	39.0
		TPR	BALL	220	Y580P1/W503U	Y580DP1/W503U	Y581P1/W503U	Y582P1/W503U		
		WHITE NYLON ¹	PLAIN	220	Y580P1/W509C	Y580DP1/W509C	Y581P1/W509C	Y582P1/W509C		
		ELAST. RUBBER ²	BALL	220	Y580P1/W523	Y580DP1/W523	Y581P1/W523	Y582P1/W523		
		TPR ANTI-STATIC ³	BALL	220	Y580P1/W503DS-AS	Y580DP1/W523DS-AS	Y581P1/W503DS-AS	Y582P1/W503DS-AS		
150	32	TPU	BALL	220	Y680P1/W600U	Y680DP1/W600U	Y681P1/W600U	Y682P1/W600U	189.5	50.0
		TPR	BALL	220	Y680P1/W603U	Y680DP1/W603U	Y681P1/W603U	Y682P1/W603U		
		ELAST. RUBBER ²	BALL	220	Y680P1/W623	Y680DP1/W623	Y681P1/W623	Y682P1/W623		
		TPR ANTI-STATIC ³	BALL	220	Y680P1/W603DS-AS	Y680DP1/W603DS-AS	Y681P1/W603DS-AS	Y682P1/W603DS-AS		

¹ No thread guard. ² Gray elastic rubber tire on pressed steel hub, steel thread guards. ³Electrical resistance ≤ 10,000 Ohms.

Swivel and Rigid Top Plates P1 to P3



Standard plate P1. To order optional plate sizes change code.

(Example: Y380P2/W300).

Mtg Code	Plate Size	Bolt Hole Spacing	Mounting Hole
P1	95mm x 70mm	75mm x 55mm or 72mm x 42mm	9mm
P2	77mm x 67mm	61.5mm x 52mm or 56mm x 45mm	8.5mm
P3	105mm x 80mm	85mm x 60mm or 75mm x 60mm	10mm

Round Stem R8 to R16



Change P1 to R mounting code: (Example: Y580R16/W503U)

Mtg. Code	Stem Dia.	Stem Length	Hole to Base	Mounting Hole
R8	22mm	45mm	19mm	M8x1.25
R9	28mm	45mm	19mm	M8x1.25
R16	25.6mm	45mm	19mm	M8x1.25

Threaded Stem T2 to T10



Change P1 to T mounting code: (Example: Y480T2/400U)

Mounting Code	Stem Diameter	Stem Length
T2	1/2-13UNC	1"
T3	M10 P1.5	25mm
T4	M12 P1.75	25mm
T5	M16 P2.0	25mm
T6	5/8-11UNC	1-1/4"
T7	1/2-12UNC	1"
T10	1/2-20UNF	1"

Open Bolt Hole H1 to H3



Change P1 to H mounting code: (Example: Y380H3/W324)

Mounting Code	Diameter	Fits Stem Size
H1	10.3mm	M10
H2	12.3mm	M12
H3	12.8mm	1/2"

For open bolt hole models reduce load height 2.5mm.

Duraro

Stainless Steel

Capacity to 220 lbs each

FEATURES

- ✓ **Finish:** polished stainless steel.
- ✓ **Design:** pressed stainless steel, double ball raceway swivel yoke.
- ✓ **Brake Pedal:** corrosion resistant nylon.
- ✓ **Thread Guards:** stainless steel.
- ✓ **Axle:** 5/16" diameter bolt with lock nut.
- ✓ **Environmentally Friendly:** non-toxic recyclable parts and ROHS compliant.

CASTER OPTIONS

- ✓ **Total Lock:** locks wheel and swivel simultaneously.
- ✓ **Directional Lock:** locks swivel only for easy rolling in straight line.
- ✓ **Chrome-Plated, Zinc Alloy Pedals:** consult factory.



Wheel Diameter (mm)	Tread Width (mm)	Wheel Type	Wheel Bearing	Capacity (lbs)	Total Lock Model Number	Directional Lock Model Number	Swivel Top Plate Model Number	Rigid Top Plate Model Number	Load Height (mm)	Swivel Offset (mm)
75	32	TPU ¹	SS BALL	110	Y380XP1SS/W300S	Y380XDP1SS/W300S	Y381P1SS/W300S	Y382P1SS/W300S	107.0	33.0
		WHITE NYLON ²	PLAIN	110	Y380XP1SS/W309C	Y380XDP1SS/W309C	Y381P1SS/W309C	Y382P1SS/W309C		
		ELAST. RUBBER ¹	SS BALL	110	Y380XP1SS/W324S	Y380XDP1SS/W324S	Y381P1SS/W324S	Y382P1SS/W324S		
100	32	TPU	SS BALL	176	Y480XP1SS/W400DS	Y480XDP1SS/W400DS	Y481P1SS/W400DS	Y482P1SS/W400DS	135.0	40.5
		TPR	SS BALL	176	Y480XP1SS/W403DS	Y480XDP1SS/W403DS	Y481P1SS/W403DS	Y482P1SS/W403DS		
		WHITE NYLON ²	PLAIN	176	Y480XP1SS/W409C	Y480XDP1SS/W409C	Y481P1SS/W409C	Y482P1SS/W409C		
		TPR ANTI-STATIC ³	SS BALL	176	Y480XP1SS/W403DS-AS	Y480XDP1SS/W403DS-AS	Y481P1SS/W403DS-AS	Y482P1SS/W403DS-AS		
125	32	TPU	SS BALL	220	Y580XP1SS/W500DS	Y580XDP1SS/W500DS	Y581P1SS/W500DS	Y582P1SS/W500DS	161.0	39.0
		TPR	SS BALL	220	Y580XP1SS/W503DS	Y580XDP1SS/W503DS	Y581P1SS/W503DS	Y582P1SS/W503DS		
		WHITE NYLON ²	PLAIN	220	Y580XP1SS/W509C	Y580XDP1SS/W509C	Y581P1SS/W509C	Y582P1SS/W509C		
		TPR ANTI-STATIC ³	PLAIN	220	Y580XP1SS/W503DS-AS	Y580XDP1SS/W503DS-AS	Y581P1SS/W503DS-AS	Y582P1SS/W503DS-AS		
150	32	TPU	SS BALL	220	Y680XP1SS/W600DS	Y680XDP1SS/W600DS	Y681P1SS/W600DS	Y682P1SS/W600DS	189.5	50.0
		TPR	SS BALL	220	Y680XP1SS/W603DS	Y680XDP1SS/W603DS	Y681P1SS/W603DS	Y682P1SS/W603DS		

¹ Plastic thread guards

² No thread guard.

³ Electrical resistance ≤ 10,000 Ohms.

Swivel and Rigid Top Plates P1 to P3



Standard plate **P1**. To order optional plate sizes change code:
(Example: Y380**P2**SS/W300S)

Mtg Code	Plate Size	Bolt Hole Spacing	Mounting Hole
P1	95mm x 70mm	75mm x 55mm or 72mm x 42mm	9mm
P2	77mm x 67mm	61.5mm x 52mm or 56mm x 45mm	8.5mm
P3	105mm x 80mm	85mm x 60mm or 75mm x 60mm	10mm

Threaded Stem T2 to T10



Change **P1** to T mounting code:
(Example: Y480**T2**SS/400DS)

Mounting Code	Stem	Stem Length
T2	1/2-13UNC	1"
T3	M10 P1.5	25mm
T4	M12 P1.75	25mm
T5	M16 P2.0	25mm
T6	5/8-11UNC	1-1/4"
T7	1/2-12UNC	1"
T10	1/2-20UNF	1"

Open Bolt Hole H1 to H3



Change **P1** to H mounting code:
(Example: Y380**H3**SS/W324S)

Mounting Code	Diameter	Fits Stem Size
H1	10.3mm	M10
H2	12.3mm	M12
H3	12.8mm	1/2"

For open bolt hole models reduce load height 2.5mm.

130 Series

Swivel & Rigid Top Plate

Capacity to 400 pounds each

FEATURES

- ✓ **Design:** heavy gauge cold rolled steel, formed for strength and heat treated.
- ✓ **Dust Cap:** protects swivel raceway bearings and improves performance.
- ✓ **Finish:** bright zinc plating to resist rust and corrosion.
- ✓ **Swivel Construction:** double ball bearing with hardened raceways.
- ✓ **Axle:** Wheel sizes 3", 4" and 5" use 3/8" dia axle. Wheel sizes 6" and 8" use 1/2" diameter axle.
- ✓ **King Pin:** 1/2" steel rivet
- ✓ **Fork Leg Spacing:** 2"

CASTER OPTIONS

✓ **VertiLoc® Brake:** to order, add "VL" to end of model number.



✓ **Swivel Grease Seal:** Includes zerk grease fitting in dust cap. To order, add "GS" to end of model number.



✓ **Optional Plate Sizes:** variety of plate sizes available – consult factory.

MOUNTING OPTIONS

Top Plate Sizes (swivel & rigid): to order, add Plate Mounting Code to end of model number. (Example: 5-130-522 PLT 2)

Mounting Code	Top Plate Size	Bolt Hole Spacing	Mounting Bolt Size
PLT 1	2-3/8" x 3-5/8"	1-3/4" x 3"	1/4"
PLT 2	2-3/8" x 3-5/8"	1-3/4" x 3"	5/16"
PLT 3	3-1/8" x 4-1/8"	2-3/8" x 3-7/16"	5/16"
PLT 4	4" x 4"	3" x 3"	3/8"
PLT 5	3-3/4" x 4-1/2"	2-5/8" x 3-5/8" to 3" x 3"	3/8"
PLT 7	3-1/2" x 3-1/2"	2-5/8" x 2-5/8"	9/32"

WHEEL OPTIONS



Wheel Diameter (Inches)	Tread Width (Inches)	Wheel Type	Bearing	Capacity (Pounds)	Swivel Caster Model Number	Rigid Caster Model Number	Approximate Weight (Pounds)	Load Height (Inches)	Swivel Radius (Inches)
3	1 13/16	POLYOLEFIN	ROLLER	400	3-130-532	3-131-532	1-3/4	4	2 3/8
4	1 5/8	CUSHION / SOLID RUBBER	PLAIN	225	4-130-109	4-131-109	2-1/8	5 3/8	3 1/2
		CUSHION / SOLID RUBBER	ROLLER	225	4-130-209	4-131-209	2-1/8		
		HARD / SOLID RUBBER	PLAIN	400	4-130-110	4-131-110	2-1/8		
		HARD / SOLID RUBBER	ROLLER	400	4-130-210	4-131-210	2-1/8		
	1 1/2	PHENOLIC	PLAIN	400	4-130-121	4-131-121	2-1/8		
		PHENOLIC	ROLLER	400	4-130-221	4-131-221	2-1/8		
		POLYOLEFIN	PLAIN	400	4-130-521	4-131-521	2-1/8		
		POLYOLEFIN	ROLLER	400	4-130-522	4-131-522	2-1/8		
5	1 5/8	CUSHION / SOLID RUBBER	PLAIN	260	5-130-109	5-131-109	2-3/4	6 1/4	4
		CUSHION / SOLID RUBBER	ROLLER	260	5-130-209	5-131-209	2-3/4		
		HARD / SOLID RUBBER	PLAIN	400	5-130-110	5-131-110	2-1/2		
		HARD / SOLID RUBBER	ROLLER	400	5-130-210	5-131-210	2-1/2		
	1 1/2	PHENOLIC	PLAIN	400	5-130-121	5-131-121	2-1/2		
		PHENOLIC	ROLLER	400	5-130-221	5-131-221	2-1/2		
		POLYOLEFIN	PLAIN	400	5-130-521	5-131-521	2-3/4		
		POLYOLEFIN	ROLLER	400	5-130-522	5-131-522	2-3/4		
		ADVANTAGE TPR / FLAT	ROLLER	400	5-130-215GF	5-131-215GF	2-1/8		
		POLYLOC / GREY	ROLLER	400	5-130-215G	5-131-215G	2-1/8		
POLYLOC / BLUE	ROLLER	400	5-130-215P	5-131-215P	2-1/8				
6	1 1/2	PHENOLIC	PLAIN	400	6-130-121	6-131-121	2-3/4	7 1/2	4 3/4
		PHENOLIC	ROLLER	400	6-130-221	6-131-221	2-3/4		
		POLYOLEFIN	DELTRIN	400	6-130-523	6-131-523	2-3/4		
		POLYOLEFIN	ROLLER	400	6-130-522	6-131-522	2-3/4		
		ADVANTAGE TPR / FLAT	ROLLER	400	6-130-215GF	6-131-215GF	2-3/4		
		POLYLOC / GREY	ROLLER	400	6-130-215G	6-131-215G	2-3/4		
		POLYLOC / BLUE	ROLLER	400	6-130-215P	6-131-215P	2-3/4		
		8	1 1/2	ADVANTAGE TPR / FLAT	ROLLER	250	8-130-215GF		
POLYLOC / GREY	ROLLER			250	8-130-215G	8-131-215G	3		
POLYLOC / BLUE	ROLLER			250	8-130-215P	8-131-215P	3		
POLYOLEFIN	DELTRIN			250	8-130-523	8-131-523	3		
POLYOLEFIN	ROLLER			250	8-130-522	8-131-522	3		



5-130-522 PLT2
(shown in photo)



5-131-215GF PLT2
(shown in photo)

134 Series



Spring Ring Stem

Capacity to 400 pounds each

FEATURES

- ✓ **Design:** heavy gauge cold rolled steel, formed for strength and heat treated.
- ✓ **Dust Cap:** protects swivel raceway bearings and improves performance.
- ✓ **Finish:** bright zinc plating to resist rust and corrosion.
- ✓ **Swivel Construction:** double ball bearing with hardened raceways.
- ✓ **Axle:** Wheel sizes 3", 4" and 5" use 3/8" dia axle. Wheel sizes 6" and 8" use 1/2" diameter axle.
- ✓ **King Pin:** 1/2" steel rivet
- ✓ **Fork Leg Spacing:** 2"

CASTER OPTIONS

- ✓ **VertiLoc® Brake:** to order, add "VL" to end of model number. 
- ✓ **Swivel Grease Seal:** Includes zerk grease fitting in dust cap. To order, add "GS" to end of model number. 
- ✓ **Optional Stem Sizes:** variety of stem sizes available – consult factory.



5-134-215G STEM 1
(shown in photo)

MOUNTING OPTIONS

Standard Stem Sizes: to order, specify stem code number and add to end of caster model number (Example: 6-134-215G **STEM 1**).

Stem Code	Stem Sizes
STEM 1	3/4" diameter x 2-3/16" long
STEM 2	13/16" diameter x 2-3/16" long
STEM 3	.845" diameter x 2-3/16" long
STEM 4	.865" diameter x 2-3/16" long
STEM 5	1" diameter x 2-3/16" long
STEM 6	.860" SQUARE x 2-3/16" long

WHEEL OPTIONS



Wheel Diameter (Inches)	Tread Width (Inches)	Wheel Type	Bearing	Capacity (Pounds)	Spring Ring Stem Model Number	Approximate Weight (Pounds)	Load Height (Inches)	Swivel Radius (Inches)
3	1 13/16	POLYOLEFIN	ROLLER	400	3-134-532	1-3/4	3 13/16	2 3/8
4	1 5/8	CUSHION / SOLID RUBBER	PLAIN	225	4-134-109	2-1/8	5 3/16	3 1/2
		CUSHION / SOLID RUBBER	ROLLER	225	4-134-209	2-1/8		
		HARD / SOLID RUBBER	PLAIN	400	4-134-110	2-1/8		
		HARD / SOLID RUBBER	ROLLER	400	4-134-210	2-1/8		
	1 1/2	PHENOLIC	PLAIN	400	4-134-121	2-1/8		
		PHENOLIC	ROLLER	400	4-134-221	2-1/8		
		POLYOLEFIN	PLAIN	400	4-134-521	2-1/8		
		POLYOLEFIN	ROLLER	400	4-134-522	2-1/8		
5	1 5/8	CUSHION / SOLID RUBBER	PLAIN	260	5-134-109	2-3/4	6 1/16	4
		CUSHION / SOLID RUBBER	ROLLER	260	5-134-209	2-3/4		
		HARD / SOLID RUBBER	PLAIN	400	5-134-110	2-1/2		
		HARD / SOLID RUBBER	ROLLER	400	5-134-210	2-1/2		
	1 1/2	PHENOLIC	PLAIN	400	5-134-121	2-1/2		
		PHENOLIC	ROLLER	400	5-134-221	2-1/2		
		POLYOLEFIN	PLAIN	400	5-134-521	2-3/4		
		POLYOLEFIN	ROLLER	400	5-134-522	2-3/4		
		ADVANTAGE TPR / FLAT	ROLLER	400	5-134-215GF	2-1/8		
		POLYLOC / GREY	ROLLER	400	5-134-215G	2-1/8		
POLYLOC / BLUE	ROLLER	400	5-134-215P	2-1/8				
6	1 1/2	PHENOLIC	PLAIN	400	6-134-121	2-3/4	7 5/16	4 3/4
		PHENOLIC	ROLLER	400	6-134-221	2-3/4		
		POLYOLEFIN	DELIRIN	400	6-134-523	2-3/4		
		POLYOLEFIN	ROLLER	400	6-134-522	2-3/4		
		ADVANTAGE TPR / FLAT	ROLLER	400	6-134-215GF	2-3/4		
		POLYLOC / GREY	ROLLER	400	6-134-215G	2-3/4		
		POLYLOC / BLUE	ROLLER	400	6-134-215P	2-3/4		
		8	1 1/2	ADVANTAGE TPR / FLAT	ROLLER	250		
POLYLOC / GREY	ROLLER			250	8-134-215G	3		
POLYLOC / BLUE	ROLLER			250	8-134-215P	3		
POLYOLEFIN	DELIRIN			250	8-134-523	3		
POLYOLEFIN	ROLLER			250	8-134-522	3		

136 Series

Threaded Stem

Capacity to 400 pounds each

FEATURES

- ✓ **Design:** heavy gauge cold rolled steel, formed for strength and heat treated.
- ✓ **Dust Cap:** protects swivel raceway bearings and improves performance.
- ✓ **Finish:** bright zinc plating to resist rust and corrosion.
- ✓ **Swivel Construction:** double ball bearing with hardened raceways.
- ✓ **Axle:** Wheel sizes 3", 4" and 5" use 3/8" dia axle. Wheel sizes 6" and 8" use 1/2" diameter axle.
- ✓ **King Pin:** 1/2" steel rivet
- ✓ **Fork Leg Spacing:** 2"

CASTER OPTIONS

✓ **VertiLoc® Brake:** to order, add "VL" to end of model number.



✓ **Swivel Grease Seal:** Includes zerk grease fitting in dust cap. To order, add "GS" to end of model number.



✓ **Optional Stem Sizes:** variety of stem sizes available – consult factory.



5-136-215GF STEM 1
(shown in photo)

MOUNTING OPTIONS

Standard Stem Sizes: to order, specify stem code number and add to end of caster model number (Example: 6-136-215G **STEM 1**).

Stem Code	Stem Sizes
STEM 1	1/2" diameter – 13 x 3/4" long
STEM 2	1/2" diameter – 13 x 1" long
STEM 3	1/2" diameter – 13 x 1-1/2" long
STEM 4	1/2" diameter – 20 x 3/4" long
STEM 5	1/2" diameter – 20 x 2-1/4" long
STEM 6	5/8" diameter – 11 x 1-1/4" long
STEM 7	5/8" diameter – 18 x 1-3/4" long
STEM 8	3/4" diameter – 10 x 1" long

WHEEL OPTIONS



Wheel Diameter (Inches)	Tread Width (Inches)	Wheel Type	Bearing	Capacity (Pounds)	Threaded Stem Model Number	Approximate Weight (Pounds)	Load Height (Inches)	Swivel Radius (Inches)
3	1 13/16	POLYOLEFIN	ROLLER	400	3-136-532	1-3/4	3 7/8	2 3/8
	4	1 5/8	CUSHION / SOLID RUBBER	PLAIN	225	4-136-109	2-1/8	5 3/16
CUSHION / SOLID RUBBER			ROLLER	225	4-136-209	2-1/8		
HARD / SOLID RUBBER			PLAIN	400	4-136-110	2-1/8		
HARD / SOLID RUBBER			ROLLER	400	4-136-210	2-1/8		
1 1/2		PHENOLIC	PLAIN	400	4-136-121	2-1/8		
		PHENOLIC	ROLLER	400	4-136-221	2-1/8		
		POLYOLEFIN	PLAIN	400	4-136-521	2-1/8		
		POLYOLEFIN	ROLLER	400	4-136-522	2-1/8		
5	1 5/8	CUSHION / SOLID RUBBER	PLAIN	260	5-136-109	2-3/4	6 1/16	4
		CUSHION / SOLID RUBBER	ROLLER	260	5-136-209	2-3/4		
		HARD / SOLID RUBBER	PLAIN	400	5-136-110	2-1/2		
		HARD / SOLID RUBBER	ROLLER	400	5-136-210	2-1/2		
	1 1/2	PHENOLIC	PLAIN	400	5-136-121	2-1/2		
		PHENOLIC	ROLLER	400	5-136-221	2-1/2		
		POLYOLEFIN	PLAIN	400	5-136-521	2-3/4		
		POLYOLEFIN	ROLLER	400	5-136-522	2-3/4		
		ADVANTAGE TPR / FLAT	ROLLER	400	5-136-215GF	2-1/8		
		POLYLOC / GREY	ROLLER	400	5-136-215G	2-1/8		
POLYLOC / BLUE	ROLLER	400	5-136-215P	2-1/8				
6	1 1/2	PHENOLIC	PLAIN	400	6-136-121	2-3/4	7 5/16	4 3/4
		PHENOLIC	ROLLER	400	6-136-221	2-3/4		
		POLYOLEFIN	DELTRIN	400	6-136-523	2-3/4		
		POLYOLEFIN	ROLLER	400	6-136-522	2-3/4		
		ADVANTAGE TPR / FLAT	ROLLER	400	6-136-215GF	2-3/4		
		POLYLOC / GREY	ROLLER	400	6-136-215G	2-3/4		
		POLYLOC / BLUE	ROLLER	400	6-136-215P	2-3/4		
		8	1 1/2	ADVANTAGE TPR / FLAT	ROLLER	250		
POLYLOC / GREY	ROLLER			250	8-136-215G	3		
POLYLOC / BLUE	ROLLER			250	8-136-215P	3		
POLYOLEFIN	DELTRIN			250	8-136-523	3		
POLYOLEFIN	ROLLER			250	8-136-522	3		
POLYOLEFIN	ROLLER			250	8-136-522	3		

Pneumatic

Swivel & Rigid Top Plate

Capacity to 470 pounds each

FEATURES

- ✓ **Wheel:** premium quality designed to eliminate lops and wobble while rolling.
- ✓ **Finish:** bright zinc, brass or chrome plating to resist rust and corrosion.
- ✓ **Swivel Grease Seal:** standard on polished brass models.
- ✓ **Swivel Construction:** double ball bearing.
- ✓ **Axle:** 1/2" diameter.
- ✓ **King Pin:** 5/8" steel rivet, hydraulically upset.
- ✓ **Zerk Grease Fitting:** swivel raceway.
- ✓ **Fork Leg Spacing:**
 - 8" wheel 3".
 - 10" wheel 4".

CASTER OPTIONS

- ✓ **VertiLoc Brake:** to order, add "VL" to end of model number.



8-W82-940G
(shown in photo)

8-W81-940
(shown in photo)

MOUNTING

Top Plate Size	Bolt Hole Spacing	Mounting Bolt Size
4" x 4-1/2"	2-5/8" x 3-5/8" or 3" x 3"	3/8"

Zinc Plated

Wheel Diameter (Inches)	Tread Width (Inches)	Wheel Type	Bearing	Capacity (Pounds)	Swivel Caster Model Number	Rigid Caster Model Number	Approximate Weight (Pounds)	Load Height (Inches)	Swivel Radius (Inches)
8	2.80/4	BLACK PNEUMATIC RUBBER	BALL	310	8-W81-940	8-W82-940	8	9 1/2	6 1/8
		GREY PNEUMATIC RUBBER	BALL	310	8-W81-940G	8-W82-940G	8	9 1/2	6 1/8
10	4.10/4	BLACK PNEUMATIC RUBBER	BALL	470	10-W87-940	10-W88-940	9	13	7 5/8



8-W81-940-GSPB
(shown in photo)

Polished Brass

Wheel Diameter (Inches)	Tread Width (Inches)	Wheel Type	Bearing	Capacity (Pounds)	Swivel Caster Model Number	Rigid Caster Model Number	Approximate Weight (Pounds)	Load Height (Inches)	Swivel Radius (Inches)
8	2.80/4	BLACK PNEUMATIC RUBBER	BALL	310	8-W81-940-1GSPB	8-W82-940-1GSPB	8	9 1/2	6 1/8



8-W81-940-1PC
(shown in photo)

Polished Chrome

Wheel Diameter (Inches)	Tread Width (Inches)	Wheel Type	Bearing	Capacity (Pounds)	Swivel Caster Model Number	Rigid Caster Model Number	Approximate Weight (Pounds)	Load Height (Inches)	Swivel Radius (Inches)
8	2.80/4	BLACK PNEUMATIC RUBBER	BALL	310	8-W81-940-1PC	8-W82-940-1PC	8	9 1/2	6 1/8

61 Series

Swivel & Rigid Top Plate

Capacity to 500 pounds each

FEATURES


- ✓ **Finish:** bright zinc plating to resist rust and corrosion.
- ✓ **Design:** fork legs formed from 3/16" thick steel.
- ✓ **Swivel Construction:** double ball bearing with hardened raceways.
- ✓ **Axle:** 1/2" diameter with zerk grease fitting.
- ✓ **King Pin:** 5/8" steel rivet, hydraulically upset.
- ✓ **Zerk Grease Fitting:** swivel raceway
- ✓ **Fork Leg Spacing:** 2".

CASTER OPTIONS

- ✓ **VertiLoc® Brake:** to order, add "VL" to end of model number. 

- ✓ **Swivel Lock / Bolt-On:** Field installable 4-position swivel lock. 

To order specify swivel lock number **3091-22**. See page 92 for details.

- ✓ **Swivel Grease Seal:** To order, add "GS" to end of model number. 



6-62-525
(shown in photo)

6-61-215P
(shown in photo)

MOUNTING

Top Plate Size	Bolt Hole Spacing	Mounting Bolt Size
4" x 4 -1/2"	2-5/8" x 3-5/8" to 3" x 3"	3/8"

WHEEL OPTIONS



Cushion Rubber



Hard Rubber



Advantage TPR Flat



Moldon Rubber/Aluminum Core



Moldon Polyurethane/Aluminum Core



Phenolic



Polyolefin



PolyLoc Grey



PolyLoc Blue

Wheel Diameter (Inches)	Tread Width (Inches)	Wheel Type	Bearing	Capacity (Pounds)	Swivel Caster Model Number	Rigid Caster Model Number	Approximate Weight (Pounds)	Load Height (Inches)	Swivel Radius (Inches)
4	1 5/8	CUSHION / SOLID RUBBER	SINTERED	225	4-61-109	4-62-109	4	5 5/8	3 9/16
		CUSHION / SOLID RUBBER	ROLLER	225	4-61-209	4-62-209	4		
		HARD / SOLID RUBBER	SINTERED	350	4-61-110	4-62-110	4		
		HARD / SOLID RUBBER	ROLLER	350	4-61-210	4-62-210	4		
	1 1/2	MOLDON RUBBER / ALUMINUM CORE	BALL	225	4-61-615	4-62-615	5		
		MOLDON POLYURETHANE / ALUMINUM CORE	BALL	425	4-61-715	4-62-715	5		
		POLYOLEFIN	PLAIN	450	4-61-521	4-62-521	5		
		POLYOLEFIN	ROLLER	450	4-61-522	4-62-522	5		
		PHENOLIC	PLAIN	500	4-61-121	4-62-121	4		
		PHENOLIC	ROLLER	500	4-61-221	4-62-221	4		
5	1 5/8	CUSHION / SOLID RUBBER	SINTERED	260	5-61-109	5-62-109	5	6 1/2	4 5/16
		CUSHION / SOLID RUBBER	ROLLER	260	5-61-209	5-62-209	5		
		HARD / SOLID RUBBER	SINTERED	400	5-61-110	5-62-110	5		
		HARD / SOLID RUBBER	ROLLER	400	5-61-210	5-62-210	5		
	1 1/2	MOLDON RUBBER / ALUMINUM CORE	BALL	250	5-61-615	5-62-615	6		
		ADVANTAGE TPR / FLAT	ROLLER	350	5-61-215GF	5-62-215GF	6		
		POLYOLEFIN	PLAIN	450	5-61-521	5-62-521	5		
		POLYOLEFIN	ROLLER	450	5-61-522	5-62-522	5		
		MOLDON POLYURETHANE / ALUMINUM CORE	BALL	450	5-61-715	5-62-715	6		
		POLYLOC / GREY	ROLLER	500	5-61-215G	5-62-215G	5		
		POLYLOC / BLUE	ROLLER	500	5-61-215P	5-62-215P	5		
		PHENOLIC	PLAIN	500	5-61-121	5-62-121	5		
		PHENOLIC	ROLLER	500	5-61-221	5-62-221	5		
		6	1 1/2	POLYLOC / GREY	ROLLER	300	6-61-215G		
MOLDON RUBBER / ALUMINUM CORE	BALL			350	6-61-615	6-62-615	7		
ADVANTAGE TPR / FLAT	ROLLER			375	6-61-215GF	6-62-215GF	6		
POLYLOC / BLUE	ROLLER			500	6-61-215P	6-62-215P	6		
PHENOLIC	PLAIN			500	6-61-121	6-62-121	6		
PHENOLIC	ROLLER			500	6-61-221	6-62-221	6		
POLYOLEFIN	DELTRIN			500	6-61-523	6-62-523	6		
POLYOLEFIN	ROLLER			500	6-61-525	6-62-525	7		
MOLDON POLYURETHANE / ALUMINUM CORE	BALL			500	6-61-715	6-62-715	7		
8	1 1/2			ADVANTAGE TPR / FLAT	ROLLER	500	8-61-215GF	8-62-215GF	8
		POLYLOC / GREY	ROLLER	500	8-61-215G	8-62-215G	8		
		POLYLOC / BLUE	ROLLER	500	8-61-215P	8-62-215P	8		
		POLYOLEFIN	DELTRIN	500	8-61-523	8-62-523	8		
		POLYOLEFIN	ROLLER	500	8-61-525	8-62-525	8		

81 Series




Swivel & Rigid Top Plate

Capacity to 1,250 pounds each

FEATURES




- ✓ **Finish:** bright zinc plating to resist rust and corrosion.
- ✓ **Design:** fork legs formed from 1/4" thick steel
- ✓ **Swivel Construction:** double ball bearing with hardened raceways.
- ✓ **Axle:** 1/2" diameter.
- ✓ **King Pin:** 5/8" steel rivet, hydraulically upset.
- ✓ **Zerk Grease Fitting:** swivel raceway.
- ✓ **Fork Leg Spacing:** 2-1/2"

CASTER OPTIONS

- ✓ **PosiLoc® Brake:** to order, add "PL" to end of model number.  Stainless steel components.
- ✓ **VertiLoc® Brake:** to order, add "VL" to end of model number. 
- ✓ **SideLock Brake:** to order, add "SLB" to end of model number. Right side brake optionally available – consult factory. 

CASTER OPTIONS

(Continued)

- ✓  **Swivel Lock / Bolt-On:** Field installable 4-position swivel lock. To order specify swivel lock number **3091-22**. See page 92 for details.
- ✓  **Swivel Lock / Welded:** Factory installed only. Spring loaded plunger locks swivel in 4-positions at 90° intervals. To order add "SL4" to end of model number. See page 92 for details.
- ✓ **Precision Ball Wheel Bearing:** Sealed precision ball bearing available for most wheels – consult factory.
- ✓ **Swivel Grease Seal:** To order, add "GS" to end of model number. 
- ✓ **Thread Guards:** See page 94 for thread guard availability.



6-82-720 PLT 1
(shown in photo)

6-81-760 PLT 1
(shown in photo)

MOUNTING OPTIONS

Top Plate Sizes (swivel & rigid): to order, add Plate Mounting Code to end of model number. (Example: 5-81-220GF PLT 1)

Mounting Code	Top Plate Size	Bolt Hole Spacing	Mounting Bolt Size
PLT 1	4" x 4-1/2"	2-5/8" x 3-5/8" to 3" x 3"	3/8"
PLT 2	5 x 5-1/2"	4-1/8" x 4-1/2" to 4" x 4"	3/8"
PLT 3	3-3/4" x 4-3/4"	3" x 3-7/8"	2 Holes 9/16", 2 Holes 25/64"
PLT 4	4-1/2" x 6-1/4"	2-7/16" x 4-15/16" to 3-3/8" x 5-1/4"	1/2"

WHEEL OPTIONS



Moldon Rubber/
Aluminum Core

Moldon Rubber/
Cast Iron Core

Advantage TPR Flat

Advantage TPR Round

Advantage Health Antimicrobial

High Modulus Rubber Donut

PolyLoc Grey

PolyLoc Blue

Moldon Polyurethane/
Aluminum Core

Moldon Polyurethane/
Cast Iron Core

Phenolic

Polyolefin

Triton

Solid Elastomer

V-Groove

Cast Iron

Wheel Diameter (Inches)	Tread Width (Inches)	Wheel Type	Bearing	Capacity (Pounds)	Swivel Caster Model Number	Rigid Caster Model Number	Approximate Weight (Pounds)	Load Height (Inches)	Swivel Radius (Inches)
4	2	MOLDON RUBBER / ALUM. CORE	ROLLER	300	4-81-620	4-82-620	7-1/2	5 5/8	3 9/16
		ADVANTAGE TPR / FLAT	ROLLER	350	4-81-220GF	4-82-220GF	6-1/2		
		ADVANTAGE HEALTH	ROLLER	350	4-81-220MF	4-82-220MF	6-1/2		
		MOLDON RUBBER / CAST IRON CORE	ROLLER	400	4-81-620CI	4-82-620CI	7		
		POLYOLEFIN	PLAIN	500	4-81-531	4-82-531	7		
		POLYOLEFIN	ROLLER	500	4-81-532	4-82-532	7-1/2		
		POLYLOC / GREY	ROLLER	600	4-81-220G	4-82-220G	6-1/2		
		MOLDON POLYURETHANE / ALUMINUM CORE	ROLLER	600	4-81-720	4-82-720	7-1/2		
		MOLDON POLYURETHANE / CAST IRON CORE	ROLLER	700	4-81-720CI	4-82-720CI	7-1/2		
		CAST IRON	ROLLER	750	4-81-250	4-82-250	7-1/2		
		PHENOLIC	PLAIN	800	4-81-122	4-82-122	6-1/2		
		PHENOLIC	ROLLER	800	4-81-222	4-82-222	6-1/2		
		SOLID ELASTOMER	ROLLER	1,250	4-81-760	4-82-760	7-1/2		
SOLID ELASTOMER	PREC. BALL	1,250	4-81-770	4-82-770	7-1/2				
5	2	MOLDON RUBBER / ALUMINUM CORE	ROLLER	350	5-81-620	5-82-620	8	6 1/2	4 5/16
		ADVANTAGE TPR / FLAT	ROLLER	375	5-81-220GF	5-82-220GF	7		
		ADVANTAGE HEALTH	ROLLER	375	5-81-220MF	5-82-220MF	7		
		MOLDON RUBBER / CAST IRON CORE	ROLLER	400	5-81-620CI	5-82-620CI	8		
		POLYOLEFIN	PLAIN	650	5-81-531	5-82-531	7-1/2		
		POLYOLEFIN	ROLLER	650	5-81-532	5-82-532	7-1/2		
		POLYLOC / GREY	ROLLER	700	5-81-220G	5-82-220G	7		
		POLYLOC / BLUE	ROLLER	700	5-81-220P	5-82-220P	7		
		CAST IRON	ROLLER	800	5-81-250	5-82-250	8		
		V-GROOVE	ROLLER	800	5-81-250V	5-82-250V	9		
		MOLDON POLYURETHANE / ALUMINUM CORE	ROLLER	900	5-81-720	5-82-720	8		
		PHENOLIC	PLAIN	1,000	5-81-122	5-82-122	8		
		PHENOLIC	ROLLER	1,000	5-81-222	5-82-222	8		
		MOLDON POLYURETHANE / CAST IRON CORE	ROLLER	1,050	5-81-720CI	5-82-720CI	8		
		SOLID ELASTOMER	ROLLER	1,250	5-81-760	5-82-760	8		
		SOLID ELASTOMER	PREC. BALL	1,250	5-81-770	5-82-770	8		
6	2	MOLDON RUBBER / ALUMINUM CORE	ROLLER	410	6-81-620	6-82-620	9	7 1/2	5 1/16
		ADVANTAGE TPR / ROUND	BALL	450	6-81-220GDB	6-82-220GDB	8		
		ADVANTAGE TPR / ROUND	ROLLER	450	6-81-220GD	6-82-220GD	8		
		MOLDON RUBBER / CAST IRON CORE	ROLLER	450	6-81-620CI	6-82-620CI	9		
		ADVANTAGE TPR / FLAT	ROLLER	600	6-81-220GF	6-82-220GF	8		
		ADVANTAGE HEALTH	ROLLER	600	6-81-220MF	6-82-220MF	8		
		POLYOLEFIN	PLAIN	700	6-81-531	6-82-531	8		
		POLYOLEFIN	ROLLER	700	6-81-532	6-82-532	8		
		POLYLOC / GREY	ROLLER	800	6-81-220G	6-82-220G	8		
		POLYLOC / BLUE	ROLLER	800	6-81-220P	6-82-220P	8		
		V-GROOVE	ROLLER	900	6-81-250V	6-82-250V	11		
		MOLDON POLYURETHANE / ALUMINUM CORE	ROLLER	1,000	6-81-720	6-82-720	9		
		PHENOLIC	PLAIN	1,200	6-81-122	6-82-122	9		
		PHENOLIC	ROLLER	1,200	6-81-222	6-82-222	9		
		CAST IRON	ROLLER	1,200	6-81-250	6-82-250	9		
		MOLDON POLYURETHANE / CAST IRON CORE	ROLLER	1,200	6-81-720CI	6-82-720CI	9		
		SOLID ELASTOMER	ROLLER	1,250	6-81-760	6-82-760	9		
		SOLID ELASTOMER	PREC. BALL	1,250	6-81-770	6-82-770	9		
	TRITON	ROLLER	1,250	6-81-535T RB	6-82-535T RB	8			
2 1/8	HIGH MODULUS RUBBER DONUT	BALL	350	6-81-600	6-82-600	6			
8	2	ADVANTAGE TPR / ROUND	BALL	500	8-81-220GDB	8-82-220GDB	9	9 1/2	6 1/2
		ADVANTAGE TPR / ROUND	ROLLER	500	8-81-220GD	8-82-220GD	9		
		MOLDON RUBBER / ALUMINUM CORE	ROLLER	500	8-81-620	8-82-620	10		
		MOLDON RUBBER / CAST IRON CORE	ROLLER	500	8-81-620CI	8-82-620CI	10		
		ADVANTAGE TPR / FLAT	ROLLER	675	8-81-220GF	8-82-220GF	9		
		ADVANTAGE HEALTH	ROLLER	675	8-81-220MF	8-82-220MF	9		
		POLYOLEFIN	PLAIN	900	8-81-531	8-82-531	9		
		POLYOLEFIN	ROLLER	900	8-81-532	8-82-532	9		
		POLYLOC / GREY	ROLLER	1,000	8-81-220G	8-82-220G	9		
		POLYLOC / BLUE	ROLLER	1,000	8-81-220P	8-82-220P	9		
		PHENOLIC	PLAIN	1,250	8-81-122	8-82-122	9		
		PHENOLIC	ROLLER	1,250	8-81-222	8-82-222	9		
		CAST IRON	ROLLER	1,250	8-81-250	8-82-250	10		
		MOLDON POLYURETHANE / ALUMINUM CORE	ROLLER	1,250	8-81-720	8-82-720	10		
		MOLDON POLYURETHANE / CAST IRON CORE	ROLLER	1,250	8-81-720CI	8-82-720CI	10		
	SOLID ELASTOMER	ROLLER	1,250	8-81-760	8-82-760	10			
SOLID ELASTOMER	PREC. BALL	1,250	8-81-770	8-82-770	10				
2 1/4	HIGH MODULUS RUBBER DONUT*	BALL	450	8-81-600	8-82-600	7			

*Available in Grey (consult factory).

B13 Series



Swivel & Rigid Top Plate

Capacity to 1,400 pounds each

FEATURES

- ✓ **Design:** kingpinless style swivel raceway.
- ✓ **Swivel Construction:** 5/16" thick 1045 steel top plate; one row of 3/8" ball bearings mounted in a heat treated precision machined raceway.
- ✓ **Finish:** bright zinc plating to resist rust and corrosion.
- ✓ **Axle:** 1/2" diameter with lock nut.
- ✓ **Fork Legs:** 1/4" x 2" 1045 steel welded inside and out.
- ✓ **Zerk Grease Fitting:** swivel raceway and wheels with roller bearings.

CASTER OPTIONS

- ✓  **Face Contact Brake:** to order, add suffix "FCB".
- ✓  **Swivel Lock / Bolt-On:** field installable 4-position swivel lock—to order, add suffix "SL".
- ✓ **Special Load Height:** optional 10-1/8" on 8" diameter models.
- ✓ **Shock Absorbing:** corrosion resistant polyurethane spring protects cargo from shocks and vibrations.

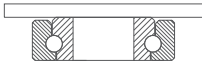


B613UAP.80A

MOUNTING PLATE

Top Plate Size	Bolt Hole Spacing	Mounting Bolt Size
Standard Plate		
4" x 4-1/2"	2-5/8" x 3-5/8" to 3" x 3"	3/8"
Optional Plate consult factory.		
4-1/2" x 6-1/4"	2-7/16" x 4-15/16" to 3-3/8" x 5-1/4"	3/8"

CROSS SECTION



WHEEL OPTIONS



Cast Iron



Ductile Iron



Phenolic



Polyurethane



Triton



Solid Elastomer 73D



Magnum Orange 73D(±5)



Magnum Grey 60D(±5)



Magnum Blue 95A(±5)



Magnum Red 80A(±5)



Magnum Black 70A(±5)



B13 Swivel and J23 Rigid Casters

Wheel Diameter (Inches)	Tread Width (Inches)	Wheel Type	Bearing	Capacity (Pounds)	Swivel Caster Model Number	Rigid Caster Model Number	Load Height (Inches)	Swivel Offset (Inches)
4	2	CAST IRON	ROLLER	700	B413CIB	J423CIB	5-5/8	1-3/16
		MAGNUM ORANGE 73D	PREC. BALL	900	B413UAP.73D	J423UAP.73D		
		MAGNUM GRAY 60D	PREC. BALL	800	B413UAP.60D	J423UAP.60D		
		MAGNUM BLUE 95A	PREC. BALL	700	B413UAP.95A	J423UAP.95A		
		MAGNUM RED 80A	PREC. BALL	500	B413UAP.80A	J423UAP.80A		
		MAGNUM BLACK 70A	PREC. BALL	400	B413UAP.70A	J413UAP.70A		
		PHENOLIC	ROLLER	800	B413ACB	J423ACB		
		POLYURETHANE ON CAST IRON	ROLLER	700	B413MPB	J423MPB		
		SOLID ELASTOMER 73D	PREC. BALL	1000	B413MEPB	J423MEPB		
5	2	CAST IRON	ROLLER	900	B513CIB	J523CIB	6-1/2	1-3/8
		DUCTILE IRON	ROLLER	1400	B513DFB	J523DFB		
		PHENOLIC	ROLLER	1000	B513ACB	J523ACB		
		POLYURETHANE ON CAST IRON	ROLLER	1000	B513MPB	J523MPB		
		SOLID ELASTOMER 73D	PREC. BALL	1000	B513MEPB	J523MEPB		
6	2	CAST IRON	ROLLER	1000	B613CIB	J623CIB	7-1/2	1-9/16
		DUCTILE IRON	ROLLER	1400	B613DFB	J623DFB		
		MAGNUM ORANGE 73D	PREC. BALL	1000	B613UAP.73D	J623UAP.73D		
		MAGNUM GRAY 60D	PREC. BALL	1000	B613UAP.60D	J623UAP.60D		
		MAGNUM BLUE 95A	PREC. BALL	750	B613UAP.95A	J623UAP.95A		
		MAGNUM RED 80A	PREC. BALL	500	B613UAP.80A	J623UAP.80A		
		MAGNUM BLACK 70A	PREC. BALL	410	B613UAP.70A	J623UAP.70A		
		PHENOLIC	ROLLER	1200	B613ACB	J623ACB		
		POLYURETHANE ON CAST IRON	ROLLER	1200	B613MPB	J623MPB		
		SOLID ELASTOMER 73D	PREC. BALL	1000	B613MEPB	J623MEPB		
		TRITON	ROLLER	1250	B613TRB	J623TRB		
8	2	CAST IRON	ROLLER	1000	B813CIB	J823CIB	9-1/2 *	2-1/4
		DUCTILE IRON	ROLLER	1400	B813DFB	J823DFB		
		MAGNUM ORANGE 73D	PREC. BALL	1200	B813UAP.73D	J823UAP.73D		
		MAGNUM GRAY 60D	PREC. BALL	1000	B813UAP.60D	J823UAP.60D		
		MAGNUM BLUE 95A	PREC. BALL	900	B813UAP.95A	J823UAP.95A		
		MAGNUM RED 80A	PREC. BALL	800	B813UAP.80A	J823UAP.80A		
		MAGNUM BLACK 70A	PREC. BALL	500	B813UAP.70A	J823UAP.70A		
		PHENOLIC	ROLLER	1400	B813ACB	J823ACB		
		POLYURETHANE ON CAST IRON	ROLLER	1200	B813MPB	J823MPB		
		SOLID ELASTOMER 73D	PREC. BALL	1000	B813MEPB	J823MEPB		

* For optional 10-1/8" overall height, add suffix -10-1/8 to model number.



BSA13 Shock Absorbing Swivel and JSA23 Shock Absorbing Rigid Casters

Wheel Diameter (Inches)	Tread Width (Inches)	Wheel Type	Bearing	Capacity (Pounds)	Swivel Caster Model Number	Rigid Caster Model Number	Load Height (Inches)	Swivel Offset (Inches)
6	2	CAST IRON	ROLLER	1000	BSA613CIB	JSA623CIB	8	3-1/8
		DUCTILE IRON	ROLLER	1400	BSA613DFB	JSA623DFB		
		MAGNUM ORANGE 73D	PREC. BALL	1000	BSA613UAP.73D	JSA623UAP.73D		
		MAGNUM GRAY 60D	PREC. BALL	1000	BSA613UAP.60D	JSA623UAP.60D		
		MAGNUM BLUE 95A	PREC. BALL	750	BSA613UAP.95A	JSA623UAP.95A		
		MAGNUM RED 80A	PREC. BALL	500	BSA613UAP.80A	JSA623UAP.80A		
		MAGNUM BLACK 70A	PREC. BALL	410	BSA613UAP.70A	JSA623UAP.70A		
		PHENOLIC	ROLLER	1200	BSA613ACB	JSA623ACB		
		POLYURETHANE ON CAST IRON	ROLLER	1200	BSA613MPB	JSA623MPB		
		SOLID ELASTOMER 73D	PREC. BALL	1000	BSA613MEPB	JSA623MEPB		
		TRITON	ROLLER	1250	BSA613TRB	JSA623TRB		
8	2	CAST IRON	ROLLER	1000	BSA813CIB	JSA823CIB	10-1/8	3-1/4
		DUCTILE IRON	ROLLER	1400	BSA813DFB	JSA823DFB		
		MAGNUM ORANGE 73D	PREC. BALL	1200	BSA813UAP.73D	JSA823UAP.73D		
		MAGNUM GRAY 60D	PREC. BALL	1000	BSA813UAP.60D	JSA823UAP.60D		
		MAGNUM BLUE 95A	PREC. BALL	900	BSA813UAP.95A	JSA823UAP.95A		
		MAGNUM RED 80A	PREC. BALL	800	BSA813UAP.80A	JSA823UAP.80A		
		MAGNUM BLACK 70A	PREC. BALL	500	BSA813UAP.70A	JSA823UAP.70A		
		PHENOLIC	ROLLER	1400	BSA813ACB	JSA823ACB		
		POLYURETHANE ON CAST IRON	ROLLER	1200	BSA813MPB	JSA823MPB		
		SOLID ELASTOMER 73D	PREC. BALL	1000	BSA813MEPB	JSA823MEPB		

BH Series

Kingpinless Swivel & Rigid Top Plate

Capacity to 3,000 pounds each

FEATURES

- ✓ **Design:** kingpinless style swivel raceway.
- ✓ **Swivel Construction:** 5/16" thick 1045 steel top plate; one row of 1/2" ball bearings mounted in a heat treated precision machined raceway.
- ✓ **Finish:** zinc plating to resist rust and corrosion.
- ✓ **Axle:** 3/4" diameter with lock nut.
- ✓ **Fork Legs:** 5/16" x 2-1/2" 1045 steel welded inside and out.
- ✓ **Zerk Grease Fitting:** swivel raceway and wheels with roller bearings.

CASTER OPTIONS

✓ **Face Contact Brake:** to order, add suffix "FCB".



✓ **Swivel Lock / Bolt-On:** field installable 4-position swivel lock—to order, add suffix "SL".



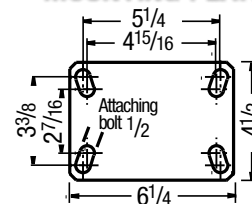
✓ **Alternate Wheel Bearings:** consult factory.

CROSS SECTION



BH83ACB

MOUNTING PLATE



WHEEL OPTIONS



Wheel Diameter (Inches)	Tread Width (Inches)	Wheel Type	Bearing	Capacity (Pounds)	Swivel Caster Model Number	Rigid Caster Model Number	Load Height (Inches)	Swivel Offset (Inches)
6	3	CAST IRON	ROLLER	2,500	BH63CIB	W633CIB	7-1/2	1-3/8
		DUCTILE IRON	ROLLER	3,000	BH63DFB	W633DFB		
		FORGED STEEL	ROLLER	3,000	BH63DXB	W633DXB		
		MOLDON RUBBER	ROLLER	680	BH63MOB	W633MOB		
		PHENOLIC	ROLLER	2,000	BH63ACB	W633ACB		
		POLYURETHANE	ROLLER	2,200	BH63MPB	W633MPB		
8	2 1/2	SOFT POYURETHANE (82A)	PREC. BALL	1,600	BH83SPPB25	W833SPPB25	10-1/8	2-1/8
		CAST IRON	ROLLER	2,500	BH83CIB	W833CIB		
		DUCTILE IRON	ROLLER	3,000	BH83DFB	W833DFB		
		FORGED STEEL	ROLLER	3,000	BH83DXB	W833DXB		
		MOLDON RUBBER	ROLLER	2,500	BH83MOB	W833MOB		
		PHENOLIC	ROLLER	2,500	BH83ACB	W833ACB		
		POLYURETHANE	ROLLER	2,500	BH83MPB	W833MPB		
SOFT POYURETHANE (82A)	PREC. BALL	2,000	BH83SPPB	W833SPPB				
10	3	CAST IRON	ROLLER	2,500	BH103CIB	W1033CIB	11-1/2	2-1/4
		DUCTILE IRON	ROLLER	3,000	BH103DFB	W1033DFB		
		FORGED STEEL	ROLLER	3,000	BH103DXB	W1033DXB		
		MOLDON RUBBER	ROLLER	1,000	BH103MOB	W1033MOB		
		PHENOLIC	ROLLER	2,900	BH103ACB	W1033ACB		
		POLYURETHANE	ROLLER	3,000	BH103MPB	W1033MPB		
12	3	CAST IRON	ROLLER	2,500	BH123CIB	W1233CIB	13-1/2	2-3/4
		DUCTILE IRON	ROLLER	3,000	BH123DFB	W1233DFB		
		MOLDON RUBBER	ROLLER	1,200	BH123MOB	W1233MOB		
		PHENOLIC	ROLLER	3,000	BH123ACB	W1233ACB		
		POLYURETHANE	ROLLER	3,000	BH123MPB	W1233MPB		

B27 Series

Kingpinless Swivel & Rigid Top Plate

Capacity to 5,000 pounds each

FEATURES

- ✓ **Design:** kingpinless style swivel raceway.
- ✓ **Swivel Construction:** 3/8" thick 1045 steel top plate; one row of 1/2" ball bearings mounted in a heat treated precision machined raceway.
- ✓ **Finish:** zinc plating to resist rust and corrosion.
- ✓ **Axle:** 3/4" diameter with lock nut.
- ✓ **Fork Legs:** 5/16" x 3" 1045 steel welded inside and out.
- ✓ **Zerk Grease Fitting:** swivel raceway and wheels with roller bearings.

CASTER OPTIONS

- ✓ **Face Contact Brake:** to order, add suffix "FCB".



- ✓ **Swivel Lock / Bolt-On:** field installable 4-position swivel lock—to order, add suffix "SL".



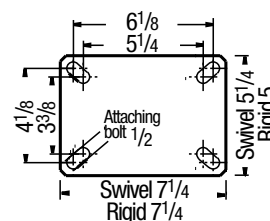
- ✓ **Alternate Wheel Bearings:** consult factory.

CROSS SECTION



B827MPB

MOUNTING PLATE



WHEEL OPTIONS



Wheel Diameter (Inches)	Tread Width (Inches)	Wheel Type	Bearing	Capacity (Pounds)	Swivel Caster Model Number	Rigid Caster Model Number	Load Height (Inches)	Swivel Offset (Inches)
6	3	CAST IRON	ROLLER	2,500	B627CIB	637CIB	8	2-1/4
		DUCTILE IRON	ROLLER	3,000	B627DFB	637DFB		
		FORGED STEEL	ROLLER	5,000	B627DXB	637DXB		
		MOLDON RUBBER	ROLLER	680	B627MOB	637MOB		
		PHENOLIC	ROLLER	2,000	B627ACB	637ACB		
		POLYURETHANE	ROLLER	2,200	B627MPB	637MPB		
8	3	CAST IRON	ROLLER	2,500	B827CIB	837CIB	10-1/2	3
		DUCTILE IRON	ROLLER	3,200	B827DFB	837DFB		
		FORGED STEEL	ROLLER	5,000	B827DXB	837DXB		
		MOLDON RUBBER	ROLLER	900	B827MOB	837MOB		
		PHENOLIC	ROLLER	2,000	B827ACB	837ACB		
		POLYURETHANE	ROLLER	2,500	B827MPB	837MPB		
		SOFT POLYURETHANE (82A)	PREC. BALL	2,000	B827SPPB	837SPPB		
10	3	CAST IRON	ROLLER	2,500	B1027CIB	1037CIB	12-1/2	3-3/8
		DUCTILE IRON	ROLLER	3,500	B1027DFB	1037DFB		
		FORGED STEEL	ROLLER	5,000	B1027DXB	1037DXB		
		MOLDON RUBBER	ROLLER	1,000	B1027MOB	1037MOB		
		PHENOLIC	ROLLER	2,900	B1027ACB	1037ACB		
		POLYURETHANE	ROLLER	3,000	B1027MPB	1037MPB		
12	3	CAST IRON	ROLLER	2,500	B1227CIB	1237CIB	15-1/2	4-1/4
		DUCTILE IRON	ROLLER	3,800	B1227DFB	1237DFB		
		MOLDON RUBBER	ROLLER	1,200	B1227MOB	1237MOB		
		PHENOLIC	ROLLER	3,500	B1227ACB	1237ACB		
		POLYURETHANE	ROLLER	3,500	B1227MPB	1237MPB		

S30 Series

Stainless Steel Top Plate

Capacity to 325 pounds each

Polished grade 304 stainless steel designed to prevent rust and corrosion in the most demanding wet, damp and corrosive environments. Stainless steel is impervious to repeated washings, thereby reducing maintenance and providing longer caster life. All component metal parts including ball bearings, axle, nut, spanner bushing and dust cap are stainless steel.

FEATURES

- ✓ **Finish:** Stainless steel
- ✓ **Dust Cap:** all swivel models feature dust cap which protects swivel raceway bearings and improves performance.
- ✓ **Swivel Construction:** stainless steel grade 440 ball bearings with hardened double raceway construction. Bearings are magnetic.
- ✓ **Axle:** 3/8" diameter stainless steel axle with lock nut.
- ✓ **King Pin:** 1/2" stainless steel rivet, hydraulically upset.
- ✓ **Grease Temperature Range:** -45°F to +260°F

CASTER OPTIONS

- ✓ **PosiLoc® Brake:** stainless steel construction; to order, add "PL" to end of model number. 
- ✓ **VertiLoc® Brake:** stainless steel construction; to order, add "VL" to end of model number. 
- ✓ **Swivel Lock:** Locks caster in trailing position at 180° while wheel spins freely. To order specify "1PSL". 
- ✓ **Swivel Grease Seal:** Includes zerk in the dust cap. To order, add "GS" to end of model number. 
- ✓ **Thread Guards:** See page 94 for thread guard availability.
- ✓ **Optional Top Plate Sizes:** variety of top plate sizes available – consult factory.



5-S31-121 PLT 2
(shown in photo)

5-S30-213GD PLT 2
(shown in photo)

MOUNTING OPTIONS

Top Plate Sizes (swivel & rigid): to order, add Plate Mounting Code to end of model number (Example: 5-S30-314G **PLT 2**).

Mounting Code	Top Plate Size	Bolt Hole Spacing	Mounting Bolt Size
PLT 2	2-3/8" x 3-5/8"	1-3/4" x 3"	5/16"
PLT 3	3-1/8" x 4-1/8"	2-3/8" x 3-7/16"	5/16"
PLT 5	3-3/4" x 4-1/2"	2-5/8" x 3-5/8" to 3" x 3"	3/8"

WHEEL OPTIONS



Wheel Diameter (Inches)	Tread Width (Inches)	Wheel Type	Bearing	Capacity (Pounds)	Swivel Caster Model Number	Rigid Caster Model Number	Approximate Weight (Pounds)	Load Height (Inches)	Swivel Radius (Inches)				
4	1 1/4	ADVANTAGE TPR / ROUND	DELIRIN	250	4-S30-314GD	4-S31-314GD	2-1/4	5 1/16	3 1/2				
		ADVANTAGE TPR / FLAT	DELIRIN	300	4-S30-314GF	4-S31-314GF	2-1/4						
		POLYOLEFIN	SS SLEEVE	300	4-S30-513	4-S31-513	2-1/4						
		POLYLOC / GREY	DELIRIN	300	4-S30-314G	4-S31-314G	2-1/4						
		ADVANTAGE HEAT FLAT ¹	SS BALL	300	4-S30-213RTF	4-S31-213RTF	2-1/4						
		ADVANTAGE HEALTH	SS BALL	300	4-S30-213MF	4-S31-213MF	2-1/4						
	1 1/2	PHENOLIC	SS SLEEVE	300	4-S30-121	4-S31-121	2-1/4						
		HI-TEMP RESIN	PLAIN	300	4-S30-521HT	4-S31-121HT	2-1/4						
		5	1 1/4	ADVANTAGE TPR / ROUND ²	SS BALL	250	5-S30-213GD			5-S31-213GD	2-3/4	6 1/8	4
				POLYOLEFIN	SS SLEEVE	300	5-S30-513			5-S31-513	2-3/4		
WELDED DISC / POLYURETHANE	SS SLEEVE			300	5-S30-113P	5-S31-113P	2-3/4						
POLYLOC / GREY ²	SS BALL			300	5-S30-213G	5-S31-213G	2-3/4						
ADVANTAGE HEAT FLAT ¹	SS BALL			300	5-S30-213RTF	5-S31-213RTF	2-3/4						
ADVANTAGE HEALTH	SS BALL			300	5-S30-213MF	5-S31-213MF	2-3/4						
1 1/2	ADVANTAGE TPR / FLAT		DELIRIN	325	5-S30-213GF	5-S31-213GF	2-3/4						
	PHENOLIC		SS SLEEVE	300	5-S30-121	5-S31-121	2-3/4						
6	1 1/4	HI-TEMP RESIN	PLAIN	325	5-S30-521NHT	5-S31-NHT	2-3/4	7 3/16	4 1/2				
		ADVANTAGE TPR / ROUND	DELIRIN	300	6-S30-314GD	6-S31-314GD	3-1/4						
		POLYOLEFIN	SS SLEEVE	300	6-S30-521	6-S31-521	3-1/4						
		POLYLOC / GREY ¹	SS BALL	300	6-S30-213G	6-S31-213G	3-1/4						
		ADVANTAGE HEAT FLAT	SS BALL	325	6-S30-213RTF	6-S31-213RTF	3-1/4						
		ADVANTAGE HEALTH	SS BALL	325	6-S30-213MF	6-S31-213MF	3-1/4						
	1 1/2	PHENOLIC	SS SLEEVE	300	6-S30-121	6-S31-121	3-1/4						

S32 Series

Stainless Steel Round Stem




Capacity to 325 pounds each

Polished grade 304 stainless steel designed to prevent rust and corrosion in the most demanding wet, damp and corrosive environments. Stainless steel is impervious to repeated washings, thereby reducing maintenance and providing longer caster life. All component metal parts including top plate or stems ball bearings, axle, nut, spanner bushing and dust cap are stainless steel.

FEATURES

- ✓ **Finish:** Stainless steel
- ✓ **Dust Cap:** all swivel models feature dust cap which protects swivel raceway bearings and improves performance.
- ✓ **Swivel Construction:** stainless steel grade 440 ball bearings with hardened double raceway construction. Bearings are magnetic.
- ✓ **Axle:** 3/8" diameter stainless steel axle with lock nut.
- ✓ **King Pin:** 1/2" stainless steel rivet, hydraulically upset.
- ✓ **Grease Temperature Range:** -45°F to +260°F

CASTER OPTIONS

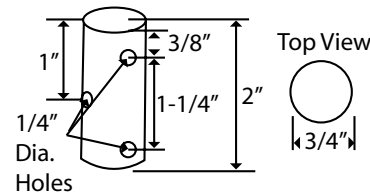
- ✓ **PosiLoc® Brake:** stainless steel construction; to order, add "PL" to end of model number. 
- ✓ **VertiLoc® Brake:** stainless steel construction; to order, add "VL" to end of model number. 
- ✓ **Swivel Grease Seal:** Includes zerk in the dust cap. To order, add "GS" to end of model number. 
- ✓ **Thread Guards:** See page 94 for thread guard availability.



5-S32-113P
(shown in photo)

MOUNTING

Standard Round Stem Size:
3/4" diameter x 2" long with three drilled holes 1/4" diameter.



WHEEL OPTIONS



Wheel Diameter (Inches)	Tread Width (Inches)	Wheel Type	Bearing	Capacity (Pounds)	Round Stem Model Number	Approximate Weight (Pounds)	Load Height (Inches)	Swivel Radius (Inches)
4	1 1/4	ADVANTAGE TPR / ROUND	DELRLIN	250	4-S32-314GD	2-1/4	4 15/16	3 1/2
		ADVANTAGE TPR / FLAT	DELRLIN	300	4-S32-314GF	2-1/4		
		POLYOLEFIN	SS SLEEVE	300	4-S32-513	2-1/4		
		POLYLOC / GREY	DELRLIN	300	4-S32-314G	2-1/4		
		ADVANTAGE HEAT FLAT ¹	SS BALL	300	4-S32-213RTF	2-1/4		
		ADVANTAGE HEALTH	SS BALL	300	4-S32-213MF	2-1/4		
	1 1/2	PHENOLIC	SS SLEEVE	300	4-S32-121	2-1/4		
		HI-TEMP RESIN	PLAIN	300	4-S32-521HT	2-1/4		
5	1 1/4	ADVANTAGE TPR / ROUND ²	SS BALL	250	5-S32-213GD	2-3/4	6	4
		POLYOLEFIN	SS SLEEVE	300	5-S32-513	2-3/4		
		WELDED DISC / POLYURETHANE	SS SLEEVE	300	5-S32-113P	2-3/4		
		POLYLOC / GREY ²	SS BALL	300	5-S32-213G	2-3/4		
		ADVANTAGE HEAT FLAT ¹	SS BALL	300	5-S32-213RTF	2-3/4		
		ADVANTAGE HEALTH	SS BALL	300	5-S32-213MF	2-3/4		
	ADVANTAGE TPR / FLAT	DELRLIN	325	5-S32-314GF	2-3/4			
	1 1/2	PHENOLIC	SS SLEEVE	300	5-S32-121	2-3/4		
HI-TEMP RESIN		PLAIN	325	5-S32-521NHT	2-3/4			
6	1 1/4	ADVANTAGE TPR / ROUND	DELRLIN	300	6-S32-314GD	3-1/4	7 1/16	4 1/2
		POLYOLEFIN	SS SLEEVE	300	6-S32-521	3-1/4		
		POLYLOC / GREY ¹	SS BALL	300	6-S32-213G	3-1/4		
		ADVANTAGE HEAT FLAT	SS BALL	325	6-S32-213RTF	3-1/4		
		ADVANTAGE HEALTH	SS BALL	325	6-S32-213MF	3-1/4		
	1 1/2	PHENOLIC	SS SLEEVE	300	6-S32-121	3-1/4		

¹Delrin bearing also available, consult factory. ²Advantage Heat Round treads also available, change RTR to RTF.

S34 Series

Stainless Steel Spring Ring Stem

Capacity to 325 pounds each

Polished grade 304 stainless steel designed to prevent rust and corrosion in the most demanding wet, damp and corrosive environments. Stainless steel is impervious to repeated washings, thereby reducing maintenance and providing longer caster life. All component metal parts including ball bearings, axle, nut, spanner bushing and dust cap are stainless steel.

FEATURES

- ✓ **Finish:** Stainless steel
- ✓ **Dust Cap:** all swivel models feature dust cap which protects swivel raceway bearings and improves performance.
- ✓ **Swivel Construction:** stainless steel grade 440 ball bearings with hardened double raceway construction. Bearings are magnetic.
- ✓ **Axle:** 3/8" diameter stainless steel axle with lock nut.
- ✓ **King Pin:** 1/2" stainless steel rivet, hydraulically upset.
- ✓ **Grease Temperature Range:** -45°F to +260°F

CASTER OPTIONS

- ✓ **PosiLoc® Brake:** stainless steel construction; to order, add "PL" to end of model number. 
- ✓ **VertiLoc® Brake:** stainless steel construction; to order, add "VL" to end of model number. 
- ✓ **Swivel Grease Seal:** Includes zerk in the dust cap. To order, add "GS" to end of model number. 
- ✓ **Thread Guards:** See page 94 for thread guard availability.
- ✓ **Optional Stem Sizes:** variety of stem sizes available – consult factory



5-S34-214G
(shown in photo)

MOUNTING

Standard Spring Ring Stem Size: .845" diameter x 2-3/16" long

WHEEL OPTIONS



Wheel Diameter (Inches)	Tread Width (Inches)	Wheel Type	Bearing	Capacity (Pounds)	Spring Ring Stem Model Number	Approximate Weight (Pounds)	Load Height (Inches)	Swivel Radius (Inches)				
4	1 1/4	ADVANTAGE TPR / ROUND	DELRIN	250	4-S34-314GD	2-1/4	4 15/16	3 1/2				
		ADVANTAGE TPR / FLAT	DELRIN	300	4-S34-314GF	2-1/4						
		POLYOLEFIN	SS SLEEVE	300	4-S34-513	2-1/4						
		POLYLOC / GREY	DELRIN	300	4-S34-314G	2-1/4						
		ADVANTAGE HEAT FLAT ¹	SS BALL	300	4-S34-213RTF	2-1/4						
		ADVANTAGE HEALTH	SS BALL	300	4-S34-213MF	2-1/4						
	1 1/2	PHENOLIC	SS SLEEVE	300	4-S34-121	2-1/4						
		HI-TEMP RESIN	PLAIN	300	4-S34-521HT	2-1/4						
		5	1 1/4	ADVANTAGE TPR / ROUND ²	SS BALL	250			5-S34-213GD	2-3/4	6	4
				POLYOLEFIN	SS SLEEVE	300			5-S34-513	2-3/4		
WELDED DISC / POLYURETHANE	SS SLEEVE			300	5-S34-113P	2-3/4						
POLYLOC / GREY ²	SS BALL			300	5-S34-213G	2-3/4						
ADVANTAGE HEAT FLAT ¹	SS BALL			300	5-S34-213RTF	2-3/4						
ADVANTAGE HEALTH	SS BALL			300	5-S34-213MF	2-3/4						
ADVANTAGE TPR / FLAT	DELRIN		325	5-S34-314GF	2-3/4							
1 1/2	PHENOLIC	SS SLEEVE	300	5-S34-121	2-3/4							
	HI-TEMP RESIN	PLAIN	325	5-S34-521NHT	2-3/4							
6	1 1/4	ADVANTAGE TPR / ROUND	DELRIN	300	6-S34-314GD	3-1/4	7 1/16	4 1/2				
		POLYOLEFIN	SS SLEEVE	300	6-S34-521	3-1/4						
		POLYLOC / GREY ¹	SS BALL	300	6-S34-213G	3-1/4						
		ADVANTAGE HEAT FLAT	SS BALL	325	6-S34-213RTF	3-1/4						
		ADVANTAGE HEALTH	SS BALL	325	6-S34-213MF	3-1/4						
		1 1/2	PHENOLIC	SS SLEEVE	300	6-S34-121			3-1/4			

¹Delrin bearing also available, consult factory. ²Advantage Heat Round treads also available, change RTR to RTF.

S36 Series

Stainless Steel Threaded Stem

Capacity to 325 pounds each

Polished grade 304 stainless steel designed to prevent rust and corrosion in the most demanding wet, damp and corrosive environments. Stainless steel is impervious to repeated washings, thereby reducing maintenance and providing longer caster life. All component metal parts including ball bearings, axle, nut, spanner bushing and dust cap are stainless steel.

FEATURES

- ✓ **Finish:** Stainless steel
- ✓ **Dust Cap:** all swivel models feature dust cap which protects swivel raceway bearings and improves performance.
- ✓ **Swivel Construction:** stainless steel grade 440 ball bearings with hardened double raceway construction. Bearings are magnetic.
- ✓ **Axle:** 3/8" diameter stainless steel axle with lock nut.
- ✓ **King Pin:** 1/2" stainless steel rivet, hydraulically upset.
- ✓ **Grease Temperature Range:** -45°F to +260°F

CASTER OPTIONS

- ✓ **PosiLoc® Brake:** stainless steel construction; to order, add "PL" to end of model number. 
- ✓ **VertiLoc® Brake:** stainless steel construction; to order, add "VL" to end of model number. 
- ✓ **Swivel Grease Seal:** Includes zerk in the dust cap. To order, add "GS" to end of model number. 
- ✓ **Thread Guards:** See page 94 for thread guard availability.
- ✓ **Optional Stem Sizes:** variety of stem sizes available – consult factory



5-S36-513
(shown in photo)

MOUNTING

Standard Threaded Stem Size:
1/2" diameter – 13 x 1-1/2" long.

Other stems available. Consult factory.

WHEEL OPTIONS



Wheel Diameter (Inches)	Tread Width (Inches)	Wheel Type	Bearing	Capacity (Pounds)	Threaded Stem Model Number	Approximate Weight (Pounds)	Load Height (Inches)	Swivel Radius (Inches)
4	1 1/4	ADVANTAGE TPR / ROUND	DELRIN	250	4-S36-314GD	2-1/4	4 15/16	3 1/2
		ADVANTAGE TPR / FLAT	DELRIN	300	4-S36-314GF	2-1/4		
		POLYOLEFIN	SS SLEEVE	300	4-S36-513	2-1/4		
		POLYLOC / GREY	DELRIN	300	4-S36-314G	2-1/4		
		ADVANTAGE HEAT FLAT ¹	SS BALL	300	4-S36-213RTF	2-1/4		
		ADVANTAGE HEALTH	SS BALL	300	4-S36-213MF	2-1/4		
	1 1/2	PHENOLIC	SS SLEEVE	300	4-S36-121	2-1/4		
		HI-TEMP RESIN	PLAIN	300	4-S36-521HT	2-1/4		
5	1 1/4	ADVANTAGE TPR / ROUND ²	SS BALL	250	5-S36-213GD	2-3/4	6	4
		POLYOLEFIN	SS SLEEVE	300	5-S36-513	2-3/4		
		WELDED DISC / POLYURETHANE	SS SLEEVE	300	5-S36-113P	2-3/4		
		POLYLOC / GREY ²	SS BALL	300	5-S36-213G	2-3/4		
		ADVANTAGE HEAT FLAT ¹	SS BALL	300	5-S36-213RTF	2-3/4		
		ADVANTAGE HEALTH	SS BALL	300	5-S36-213MF	2-3/4		
		ADVANTAGE TPR / FLAT	DELRIN	325	5-S36-314GF	2-3/4		
	1 1/2	PHENOLIC	SS SLEEVE	300	5-S36-121	2-3/4		
		HI-TEMP RESIN	PLAIN	325	5-S36-521NHT	2-3/4		
6	1 1/4	ADVANTAGE TPR / ROUND	DELRIN	300	6-S36-314GD	3-1/4	7 1/16	4 1/2
		POLYOLEFIN	SS SLEEVE	300	6-S36-521	3-1/4		
		POLYLOC / GREY ¹	SS BALL	300	6-S36-213G	3-1/4		
		ADVANTAGE HEAT FLAT	SS BALL	325	6-S36-213RTF	3-1/4		
		ADVANTAGE HEALTH	SS BALL	325	6-S36-213MF	3-1/4		
	1 1/2	PHENOLIC	SS SLEEVE	300	6-S36-121	3-1/4		

¹Delrin bearing also available, consult factory. ²Advantage Heat Round treads also available, change RTR to RTF.

S40 Series

Stainless Steel Expanding Adapter




Capacity to 325 pounds each

Polished grade 304 stainless steel designed to prevent rust and corrosion in the most demanding wet, damp and corrosive environments. Stainless steel is impervious to repeated washings, thereby reducing maintenance and providing longer caster life. All component metal parts including ball bearings, axle, nut, spanner bushing and dust cap are stainless steel.

FEATURES

- ✓ **Finish:** Stainless steel
- ✓ **Dust Cap:** all swivel models feature dust cap which protects swivel raceway bearings and improves performance.
- ✓ **Swivel Construction:** stainless steel grade 440 ball bearings with hardened double raceway construction. Bearings are magnetic.
- ✓ **Axle:** 3/8" diameter stainless steel axle with lock nut.
- ✓ **King Pin:** 1/2" stainless steel, hydraulically upset.
- ✓ **Grease Temperature Range:** -45°F to +260°F

CASTER OPTIONS

- ✓ **PosiLoc® Brake:** stainless steel construction; to order, add "PL" to end of model number. 
- ✓ **VertiLoc® Brake:** stainless steel construction; to order, add "VL" to end of model number. 
- ✓ **Swivel Grease Seal:** Includes zerk in the dust cap. To order, add "GS" to end of model number. 
- ✓ **Thread Guards:** See page 94 for thread guard availability.
- ✓ **Optional Stem Sizes:** variety of stem sizes available – consult factory



5-S40-214GD 19A
(shown in photo)

MOUNTING

Rubber bushing expands inside of tubing as 3/4" nut beneath lower raceway is turned with wrench. Plastic bushing on bottom of stem provides stability for stem inside of tubing for tight, permanent fit.

See chart at right for adapter sizes and matching tube sizes. To order, add adapter number to end of model number (example: 5-S40-214GD 19A).

Threaded stem size (less adapter): 1/2" diameter x 2- 3/4" long.

Adapter Number	Tubing I.D. (inches)
9	3/4"
11*	7/8"
13	1"
15	1-1/8"
17 B	1-3/16"
19 C	1-3/8"
19 A*	1-1/2"
21	1-7/8"

* Features stainless steel stem, washer and knurled nut. All other adapters feature zinc plated washer and knurled nut.

WHEEL OPTIONS



Wheel Diameter (Inches)	Tread Width (Inches)	Wheel Type	Bearing	Capacity (Pounds)	Expanding Adapter Stem Model Number	Approximate Weight (Pounds)	Load Height (Inches)	Swivel Radius (Inches)				
4	1 1/4	ADVANTAGE TPR / ROUND	DELRIN	250	4-S40-314GD	2-1/4	4 15/16	3 1/2				
		ADVANTAGE TPR / FLAT	DELRIN	300	4-S40-314GF	2-1/4						
		POLYOLEFIN	SS SLEEVE	300	4-S40-513	2-1/4						
		POLYLOC / GREY	DELRIN	300	4-S40-314G	2-1/4						
		ADVANTAGE HEAT FLAT ¹	SS BALL	300	4-S40-213RTF	2-1/4						
		ADVANTAGE HEALTH	SS BALL	300	4-S40-213MF	2-1/4						
		PHENOLIC	SS SLEEVE	300	4-S40-121	2-1/4						
	1 1/2	HI-TEMP RESIN	PLAIN	300	4-S40-521HT	2-1/4						
		5	1 1/4	ADVANTAGE TPR / ROUND ²	SS BALL	250			5-S40-213GD	2-3/4	6	4
				POLYOLEFIN	SS SLEEVE	300			5-S40-513	2-3/4		
WELDED DISC / POLYURETHANE	SS SLEEVE			300	5-S40-113P	2-3/4						
POLYLOC / GREY ²	SS BALL			300	5-S40-213G	2-3/4						
ADVANTAGE HEAT FLAT ¹	SS BALL			300	5-S40-213RTF	2-3/4						
ADVANTAGE HEALTH	SS BALL			300	5-S40-213MF	2-3/4						
ADVANTAGE TPR / FLAT	DELRIN			325	5-S40-314GF	2-3/4						
1 1/2	PHENOLIC		SS SLEEVE	300	5-S40-121	2-3/4						
	HI-TEMP RESIN	PLAIN	325	5-S40-521NHT	2-3/4							
6	1 1/4	ADVANTAGE TPR / ROUND	DELRIN	300	6-S40-314GD	3-1/4	7 1/16	4 1/2				
		POLYOLEFIN	SS SLEEVE	300	6-S40-521	3-1/4						
		POLYLOC / GREY ¹	SS BALL	300	6-S40-213G	3-1/4						
		ADVANTAGE HEAT FLAT	SS BALL	325	6-S40-213RTF	3-1/4						
		ADVANTAGE HEALTH	SS BALL	325	6-S40-213MF	3-1/4						
	1 1/2	PHENOLIC	SS SLEEVE	300	6-S40-121	3-1/4						

¹Delrin bearing also available, consult factory. ²Advantage Heat Round treads also available, change RTR to RTE.

S81 Series

Stainless Steel Top Plate

Capacity to 1,250 pounds each

Polished grade 304 stainless steel designed to prevent rust and corrosion in the most demanding wet, damp and corrosive environments. Stainless steel is impervious to repeated washings, thereby reducing maintenance and providing longer caster life. All component metal parts including ball bearings, axle, nut, and spanner bushing are stainless steel.

FEATURES

- ✓ **Finish:** Stainless steel
- ✓ **Design:** Stainless steel top plate and fork legs, case hardened for strength.
- ✓ **Swivel Construction:** stainless steel grade 440 ball bearings with hardened double raceway construction. Bearings are magnetic.
- ✓ **Axle:** 1/2" diameter stainless steel bolt with lock nut with zerk in raceway.
- ✓ **King Pin:** 5/8" stainless steel rivet, hydraulically upset.
- ✓ **Fork Leg Spacing:** 2-1/2"
- ✓ **Grease Temperature Range:** -45°F to +260°F

CASTER OPTIONS

- ✓ **VertiLoc® Brake:** stainless steel construction; to order, add "VL" to end of model number. 
- ✓ **Swivel Lock / Bolt-On:** Field installable 4- position stainless steel swivel lock. 
- To order specify swivel lock number **3091-17**. See page 92 for details.
- ✓ **Stainless Steel Roller Bearing:** to order, add "SRB" to end of model number (Example: 6-S81-320GF SRB).
- ✓ **Swivel Grease Seal:** To order, add "GS" to end of model number. 
- ✓ **Thread Guards:** See page 94 for thread guard availability.



6-S82-531
(shown in photo)

6-S81-320GF
(shown in photo)

MOUNTING

Top Plate Size	Bolt Hole Spacing	Mounting Bolt Size
4" x 4 -1/2"	2-5/8" x 3-5/8" to 3" x 3"	3/8"

WHEEL OPTIONS



Wheel Diameter (Inches)	Tread Width (Inches)	Wheel Type	Bearing	Capacity (Pounds)	Swivel Caster Model Number	Rigid Caster Model Number	Approximate Weight (Pounds)	Load Height (Inches)	Swivel Radius (Inches)
5	2	ADVANTAGE TPR / FLAT	DELRIN	375	5-S81-320GF	5-S82-320GF	5-1/2	6 1/2	4 5/16
		ADVANTAGE HEALTH	ROLLER	375	5-S81-220MF	5-S82-220MF	5-1/2		
		POLYOLEFIN	PLAIN	650	5-S81-531	5-S82-531	5-1/2		
		POLYLOC / BLUE	DELRIN	700	5-S81-320P	5-S82-320P	5-1/2		
		MOLDON POLYURETHANE / ALUM. CORE	DELRIN	900	5-S81-721	5-S82-721	5-1/2		
		SOLID ELASTOMER	DELRIN	1,000	5-S81-761	5-S82-761	5-1/2		
		PHENOLIC	PLAIN	1,000	5-S81-122	5-S82-122	5-1/2		
		TRITON	ROLLER	1,250	6-S81-535T RB	6-S82-535T RB	6-1/2		
6	2	ADVANTAGE TPR / ROUND	DELRIN	450	6-S81-320GD	6-S82-320GD	6-1/2	7-1/2	5-1/16
		ADVANTAGE TPR / FLAT	DELRIN	600	6-S81-320GF	6-S82-320GF	6-1/2		
		ADVANTAGE HEALTH	ROLLER	375	6-S81-220MF	6-S82-220MF	6-1/2		
		POLYOLEFIN	PLAIN	700	6-S81-531	6-S82-531	6-1/2		
		POLYLOC / BLUE	DELRIN	800	6-S81-320P	6-S82-320P	6-1/2		
		MOLDON POLYURETHANE / ALUM. CORE	DELRIN	900	6-S81-721	6-S82-721	6-1/2		
		SOLID ELASTOMER	DELRIN	1,100	6-S81-761	6-S82-761	6-1/2		
		PHENOLIC	PLAIN	1,200	6-S81-122	6-S82-122	6-1/2		
		TRITON	ROLLER	1,250	6-S81-535T RB	6-S82-535T RB	6-1/2		
		8	2	ADVANTAGE TPR / ROUND	DELRIN	450	8-S81-320GD		
ADVANTAGE TPR / FLAT	DELRIN			675	8-S81-320GF	8-S82-320GF	8		
ADVANTAGE HEALTH	ROLLER			675	8-S81-220MF	8-S82-220MF	8		
POLYOLEFIN	PLAIN			900	8-S81-531	8-S82-531	8		
POLYLOC / BLUE	DELRIN			1,000	8-S81-320P	8-S82-320P	8		
SOLID ELASTOMER	DELRIN			1,200	8-S81-761	8-S82-761	8		
MOLDON POLYURETHANE / ALUM. CORE	DELRIN			1,200	8-S81-721	8-S82-721	8		
PHENOLIC	PLAIN			1,250	8-S81-122	8-S82-122	8		

50HN Series

Infinity™ Thermoplastic Casters Swivel • Total Lock • Swivel Lock Capacity to 300 pounds each

FEATURES

- ✓ **Ideally suited** for medical, high-tech and institutional equipment.
- ✓ **Sleek, advanced design** combines corrosion and chemical resistance with silent operation.
- ✓ **Molded from engineered, reinforced thermoplastics** for trouble-free performance even in wash-down applications.
- ✓ **Precision ball bearing** swivel raceway for smooth, effortless swivel action
- ✓ **Non-marking** wheel design.
- ✓ **Steel top plates** and mounting stems are zinc plated to resist rust.
- ✓ **Axle:** 3/8" diameter riveted.

CASTER OPTIONS

- ✓ **Stainless steel:** stainless steel top plate and mounting stems, swivel ball bearings and kingpin available – consult factory.
- ✓ **Total lock:** simultaneously locks swivel and wheel in any position.
- ✓ **Swivel lock:** swivel locks in trailing position at 180° while wheel spins freely.
- ✓ **Plastic Thread Guards:** to order, add "TG" to end of model number.
- ✓ **Axle Caps:** to order, add "A" to end of model number.
- ✓ **Optional Top Plate & Stem Sizes:** variety of top plate sizes available – consult factory.



5-50HN-314GD TG A PLT2
(shown in photo)

5-54HN-314GD TL STEM 1
(shown in photo)

TOP PLATE MOUNTING OPTIONS

Top Plate Sizes (swivel & rigid): to order, add Plate Mounting Code to end of model number.
(Example: 5-50HN-314GD TG A PLT2)

Mounting Code	Top Plate Size	Bolt Hole Spacing	Mounting Bolt Size
PLT 2	2-3/8" x 3-5/8"	1-3/4" x 3"	5/16"
PLT 3	3-1/8" x 4-1/8"	2-3/8" x 3-7/16"	5/16"
PLT 5	3-3/4" x 4-1/2"	2-5/8" x 3-5/8" to 3" x 3"	3/8"
PLT 7	3-1/2" x 3-1/2"	2-5/8" x 2-5/8"	9/32"



5-50HN-314GD PLT 2
(shown in photo)



5-50HN-314GD TL PLT 2
(shown in photo)

Top Plate

Free Swivel • Total Lock • Swivel Lock

Wheel Diameter (Inches)	Tread Width (Inches)	Wheel Type	Bearing	Capacity (Pounds)	Free Swivel Model Number	Total Lock Model Number	Swivel Lock Model Number	Approximate Weight (Pounds)	Load Height (Inches)	Swivel Radius (Inches)
5	1 1/4	Advantage TPR / Round	Ball	250	5-50HN-213GD	5-50HN-213GD TL	5-50HN-213GD SL1	2-3/4	6 1/4	4 1/4

SPRING RING STEM MOUNTING OPTIONS

Spring Ring Stem Sizes: to order, specify stem code number and add to end of caster model number.

Stem Code	Spring Ring Stem Sizes
STEM 1	.845" diameter round x 2-3/16" long
STEM 2	.865" diameter round x 2-3/16" long
STEM 3	.860" diameter SQUARE x 2-3/16" long



5-54HN-314GD STEM 1
(shown in photo)



5-54HN-314GD TL STEM 1
(shown in photo)

Spring Ring Stem

Free Swivel • Total Lock • Swivel Lock

Wheel Diameter (Inches)	Tread Width (Inches)	Wheel Type	Bearing	Capacity (Pounds)	Free Swivel Model Number	Total Lock Model Number	Swivel Lock Model Number	Approximate Weight (Pounds)	Load Height (Inches)	Swivel Radius (Inches)
5	1 1/4	Advantage TPR / Round	Ball	250	5-54HN-213GD	5-54HN-213GD TL	5-54HN-213GD SL1	2-3/4	6 1/4	4 1/4

THREADED STEM MOUNTING OPTIONS

Threaded Stem Sizes: to order, specify stem code number and add to end of caster model number .
(Example: 5-56HN-314GD **STEM 1**).

Stem Code	Threaded Stem Sizes
STEM 1	1/2" diameter -13 x 3/4" long
STEM 2	1/2" diameter -13 x 1" long
STEM 3	1/2" diameter -13 x 1-1/2" long
STEM 5	1/2" diameter -20 x 2-1/4" long
STEM 6	5/8" diameter -11 x 1-1/4" long
STEM 7	5/8" diameter -18 x 1-3/4" long
STEM 8	3/4" diameter -10 x 1" long



5-56HN-314GD STEM 1
(shown in photo)



5-56HN-314GD TL STEM 1
(shown in photo)

Threaded Stem

Free Swivel • Total Lock • Swivel Lock

Wheel Diameter (Inches)	Tread Width (Inches)	Wheel Type	Bearing	Capacity (Pounds)	Free Swivel Model Number	Total Lock Model Number	Swivel Lock Model Number	Approximate Weight (Pounds)	Load Height (Inches)	Swivel Radius (Inches)
5	1 1/4	Advantage TPR / Round	Ball	250	5-56NH-213GD	5-56HN-213GD TL	5-56HN-213GD SL1	2-3/4	6 1/4	4 1/4



Central Locking Casters

Capacity to 265 lbs each

FEATURES

- ✓ **Finish:** zinc-chromatized or ABS shield.
- ✓ **Design:** press steel yoke with precision ball bearing swivel head.
- ✓ **Central Locking Compatible:** various locking functions of casters are activated by a single press of a hex cam lever.
- ✓ **Thread Guards:** plastic.
- ✓ **Environmentally Friendly:** non-toxic recyclable parts and ROHS compliant.

CASTER OPTIONS

- ✓ **Total Lock/Directional Lock/Free Swivel:** choose brake function based on pedal activation; (1) locks wheel and swivel simultaneously, (2) locks swivel only, or (3) free swivel.
- ✓ **Total Lock/Free Swivel:** choose brake function based on pedal activation; (1) locks wheel and swivel simultaneously, or (2) free swivel.
- ✓ **Directional Lock/Free Swivel:** choose brake function based on pedal activation; (1) locks swivel only, or (2) free swivel.
- ✓ **Free Swivel:** free steering model.
- ✓ **Conductive Wheels:** consult factory.



Y690R99/W603U



Y520R99/W503U

MOUNTING OPTIONS

Mtg. Code	Stem Dia.	Stem Length	Hole to Base	Mtg. Hole	Lock Hex Size	Cam Position
R99	28mm	98.5mm	19mm	M8x1.25	11.2mm	2x45°
R9	28mm	45mm	19mm	M8x1.25	N/A	N/A
R66	32mm	50mm	7mm	M6x1	11.2mm	2x30°
R69	32mm	50mm	7mm	M6x1	N/A	N/A

R9 and R69 are free swivel only – no locking cam.

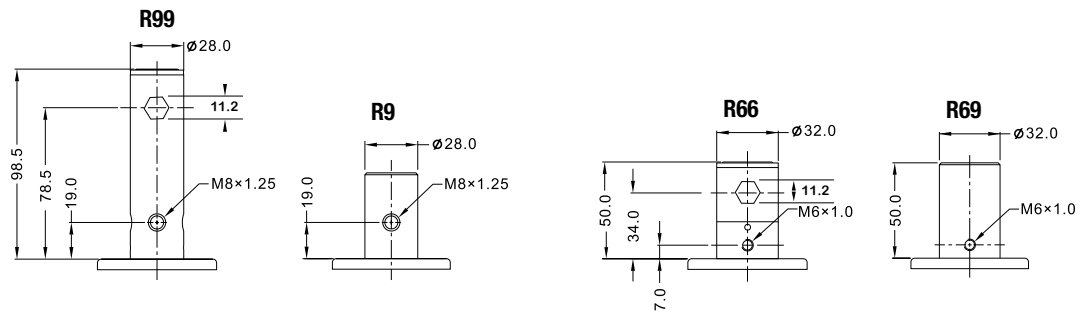


Zinc-chromatized Models

Wheel Diameter (mm)	Tread Width (mm)	Wheel Type	Wheel Bearing	Capacity (lbs)	Free Swivel Model Number	Total Lock/ Directional Lock/ Free Swivel Model	Total Lock/ Free Swivel Model Number	Directional Lock/ Free Swivel Model Number	Load Height (mm)	Swivel Offset (mm)
125	32	TPR	PRECISION BALL	220	Y521R9/W503U	Y520R99/W503U	Y522R99/W503U	Y520DR99/W503U	164.0	39.0
			PRECISION BALL	220	Y521R9/W501U	Y520R99/W501U	Y522R99/W501U	Y520DR99/W501U		
150	32	TPR	PRECISION BALL	265	Y621R9/W603U	Y620R99/W603U	Y622R99/W603U	Y620DR99/W603U	192.5	50.0
			PRECISION BALL	265	Y621R9/W600U	Y620R99/W600U	Y622R99/W600U	Y620DR99/W600U		
200	32	TPR	PRECISION BALL	265	Y821R9/W803U	Y820R99/W803U	Y822R99/W803U	Y820DR99/W803U	240.0	57.5



ABS Shield Models



Wheel Diameter (mm)	Tread Width (mm)	Wheel Type	Wheel Bearing	Capacity (lbs)	Free Swivel Model Number	Total Lock/ Directional Lock/ Free Swivel Model	Total Lock/ Free Swivel Model Number	Directional Lock/ Free Swivel Model Number	Load Height (mm)	Swivel Offset (mm)
100	32	TPR	PRECISION BALL	176	Y491R9/W403U	Y490R99/W403U	Y492R99/W403U	Y490DR99/W403U	143.0	30.0
125	32	TPR	PRECISION BALL	220	Y591R9/W503U	Y590R99/W503U	Y592R99/W503U	Y590DR99/W503U	165.0	39.0
150	32	TPR	PRECISION BALL	265	Y691R9/W603U	Y690R99/W603U	Y692R99/W603U	Y690DR99/W603U	189.0	40.0
200	32	TPR	PRECISION BALL	265	Y891R9/W803U	Y890R99/W803U	Y892R99/W803U	Y890DR99/W803U	237.0	52.0

BB-TEK

Bi-Brake Casters

Capacity to 330 lbs each

FEATURES

- ✓ **Finish:** zinc-chromatized swivel yoke with ABS shield.
- ✓ **Design:** press steel yoke.
- ✓ **Swivel Construction:** double ball raceway for 125mm diameter models. Precision ball bearing swivel head for 150mm and 200mm models.
- ✓ **Patented Braking System:** two separate locking pedals for wheel and swivel for complete control. Pressing red pedal locks wheel and swivel simultaneously. Pressing green pedal locks swivel. Pressing off pedal disengages all functions.
- ✓ **Environmentally Friendly:** non-toxic recyclable parts and ROHS compliant.

CASTER OPTIONS

- ✓ **Bright Chrome Finish:** consult factory.
- ✓ **ABS Shield Custom Colors:** consult factory.
- ✓ **Rigid Models:** consult factory.



TS150BR16/W630U



STB200R16/RB-CR



ROUND STEM MOUNTING OPTIONS

Mtg. Code	Stem Dia.	Stem Length	Hole to Base	Mounting Hole
R8	22mm	45mm	19mm	M8x1.25
R9	28mm	45mm	19mm	M8x1.25
R16	25.6mm	45mm	19mm	M8x1.25

To order optional stem sizes change stem code.

(Example: TS150BR9/W529U).

Wheel Diameter (mm)	Tread Width (mm)	Wheel Type	Wheel Bearing	Capacity (lbs)	Round Stem Bi-Brake Model Number	Free Swivel Model Number	Load Height (mm)	Swivel Radius (mm)
125	32	TPR	PRECISION BALL	220	TS125BR16/W502U	TS125R16/W502U	161.0	78.0
		ELASTIC RUBBER*	PRECISION BALL	220	TS125BR16/W529U	TS125R16/W529U		
		TPU	PRECISION BALL	220	TS125BR16/W501U	TS125R16/W501U		
150	40	TPR	PRECISION BALL	330	TS150BR16/W630U	TS150R16/W630U	196.5	92.0
		ELASTIC RUBBER*	PRECISION BALL	330	TS150BR16/W640U	TS150R16/W640U		
200	40	ELASTIC RUBBER*	PRECISION BALL	330	TS200BR16/W840U	TS200R16/W840U	250.0	98.0

*Aluminum alloy hub.

PLATE MOUNTING OPTIONS

P1 and P2 plates are available for 125mm models. P6 and P8 plates are available for 150mm and 200mm models. To order optional plate sizes change code.

(Example: TS125BP2/W502U).

Mounting Code	Top Plate Size	Bolt Hole Spacing	Mounting Bolt Size
P1	95mm x 70mm	75mm x 45mm / 72mm x 52mm	9mm
P2	77mm x 67mm	61.5mm x 52mm / 56mm x 45mm	8.5mm
P6	114mm x 101.6mm	93mm x 67mm	9mm
P8	100.3mm x 100mm	80mm x 80mm	10.5mm



Wheel Diameter (mm)	Tread Width (mm)	Wheel Type	Wheel Bearing	Capacity (lbs)	Swivel Top Plate Bi-Brake Model Number	Free Swivel Model Number	Load Height (mm)	Swivel Radius (mm)
125	32	TPR	PRECISION BALL	220	TS125BP1/W502U	TS125P1/W502U	161.0	78.0
		ELASTIC RUBBER*	PRECISION BALL	220	TS125BP1/W529U	TS125P1/W529U		
		TPU	PRECISION BALL	220	TS125BP1/W501U	TS125P1/W501U		
150	40	TPR	PRECISION BALL	330	TS150BP6/W630U	TS150P6/W630U	196.5	92.0
		ELASTIC RUBBER*	PRECISION BALL	330	TS150BP6/W640U	TS150P6/W640U		
200	40	ELASTIC RUBBER*	PRECISION BALL	330	TS200BP6/W840U	TS200P6/W840U	250.0	98.0

*Aluminum alloy hub.

TT Series

Twin Wheel Casters

Capacity to 220 lbs each

FEATURES

- ✓ **Finish:** glass fiber reinforced Nylon 6 body and brake pedals.
- ✓ **Design:** chromium steel precision ball bearing swivel head and wheel axles.
- ✓ **Wheel:** non-marking 85±5 Shore A TPU wheel treads.
- ✓ **Thread Guards:** plastic.
- ✓ **Environmentally Friendly:** non-toxic recyclable parts and ROHS compliant.

CASTER OPTIONS

- ✓ **Total Lock:** locks wheel and swivel simultaneously.
- ✓ **Directional Lock:** locks swivel only for easy rolling in straight line.
- ✓ **Free Swivel:** free steering model.
- ✓ **Optional Colors:** consult factory.



Total Lock
TT125BT2/W



Free Swivel
TT125R8/G



Directional Lock
TT125D1P1/G

Grey TT Casters



Wheel Diameter (mm)	Wheel Type	Wheel Bearing	Capacity (lbs)	Free Swivel Model Number	Total Lock Model Number	Directional Lock Model Number	Load Height (mm)	Swivel Offset (mm)
100	TPU	PRECISION BALL	176	TT100P1/G	TT100BP1/G	TT100D1P1/G	123.0	30.0
125	TPU	PRECISION BALL	220	TT125P1/G	TT125BP1/G	TT125D1P1/G	148.0	39.0

White TT Casters



Wheel Diameter (mm)	Wheel Type	Wheel Bearing	Capacity (lbs)	Free Swivel Model Number	Total Lock Model Number	Directional Lock Model Number	Load Height (mm)	Swivel Offset (mm)
100	TPU	PRECISION BALL	176	TT100P1/W	TT100BP1/W	TT100D1P1/W	123.0	30.0
125	TPU	PRECISION BALL	220	TT125P1/W	TT125BP1/W	TT125D1P1/W	148.0	39.0

Swivel Top Plates P1 and P3



Standard plate P1. To order optional plate sizes change code.

(Example: TT100D1P1/G).

Mtg Code	Plate Size	Bolt Hole Spacing	Mounting Hole
P1	95mm x 70mm	75mm x 55mm or 72mm x 42mm	9mm
P2	77mm x 67mm	61.5mm x 52mm or 56mm x 45mm	8.5mm

Round Stem R8 and R63



Change P1 to R mounting code: (Example: TT100R8/G)

Mtg. Code	Stem Dia.	Stem Length	Hole to Base	Mounting Hole
R8	22mm	45mm	19mm	M8x1.25
R63	18mm	28mm	19mm	M8x1.25

Threaded Stem T2, T4 or T5



Change P1 to T mounting code: (Example: TT100BT2/G)

Mounting Code	Stem Diameter	Stem Length
T2	1/2-13UNC	1"
T4	M12 P1.75	25mm
T5	M16 P2.0	25mm

Wheel Selection



5-105
(shown in photo)

Cushion or Hard / Solid Rubber

Cushion or hard rubber tread. Conductive models available. Capacity up to 400 lbs. each. See page 74-75.



5-452
(shown in photo)

Cushion / Solid Rubber with Decorative Side Plates

Cushion Rubber tread with decorative metal side plates. Grey wheels available. Capacity up to 220 lbs. each. See page 75.



5-113 & 5-113P
(shown in photo)

Welded Disc / Rubber & Polyurethane

Neoprene rubber or blue polyurethane tread compressed between two steel discs welded together. Capacity up to 250 lbs. each. See page 76.



5-213GF & 5-213GD
(shown in photo)

Advantage™ TPR

Flat grey special modulus TPR tread bonded to polyolefin wheel core. Capacity up to 325 lbs. each. See page 77.



6-220GF & 6-220GD
(shown in photo)

Advantage HD™ TPR

Flat grey special modulus TPR tread bonded to polyolefin wheel core. Capacity up to 675 lbs. each. See page 78.



5-213RTF & 5-213RTR
(shown in photo)

Advantage™ Heat

Flat red modulus TPR tread bonded to polyolefin wheel core. Capacity up to 675 lbs. each. See page 79.



5-213MF
(shown in photo)

Advantage™ Health Antimicrobial

Flat light blue modulus TPR tread bonded to polyolefin wheel core. Capacity up to 675 lbs. each. See page 79.



6-620
(shown in photo)

Moldon Rubber / Aluminum Core

Cushion rubber tread vulcanized to a die-cast aluminum core. Capacity up to 500 lbs. each. See page 80.



6-620CI
(shown in photo)

Moldon Rubber / Cast Iron Core

Heavy duty rubber tread bonded to cast iron wheel core. Capacity up to 500 lbs. each. See page 80.



6-600
(shown in photo)

High Modulus Rubber

Round tread modulus black rubber compound bonded to aluminum core. Grey tread available. Capacity up to 550 lbs. each. See page 81.



8-940
(shown in photo)

Full Pneumatic

Air filled tire for maximum cushion ride and floor protection. Capacity up to 470 lbs. each. See page 81.



6-522
(shown in photo)

Polyolefin

Light weight yet durable hard tread solid polyolefin construction. Capacity up to 900 lbs. each. See page 82.



5-521 NHT
(shown in photo)

Hi-Temp Resin

Exclusive blended resin compound is designed to withstand the extreme high-temperatures required by certain industries and applications. Capacity up to 600 lbs. each. See page 83.



6-532T
(shown in photo)

Triton

Enhanced polypropylene material has non-absorbent characteristics which enable longer life cycle. Capacity up to 1,500 lbs each. See page 83.



UAP.06/20.1/2 95A
(shown in photo)

Magnum™

Premium ergonomic polyurethane crowned tread with sealed precision ball bearings for optimal rollability. Capacity up to 1,000 lbs each. See page 84.



5-213G
(shown in photo)

PolyLoc™/ Grey Polyurethane

Grey or blue polyurethane tread mechanically locked to polyolefin wheel core. Capacity up to 350 lbs. each. See page 85.



6-220G
(shown in photo)

PolyLoc™/ Polyurethane

Flat grey or blue polyurethane tread mechanically locked to polyolefin wheel core. Capacity up to 1,000 lbs. each. See page 86.



6-720
(shown in photo)

Moldon Polyurethane / Aluminum Core

Blue polyurethane tread vulcanized to a die-cast aluminum core. Capacity up to 1,200 lbs. each. See page 87.



6-720CI
(shown in photo)

Moldon Polyurethane / Cast Iron Core

Heavy duty polyurethane tread bonded to cast iron wheel core. Capacity up to 1,500 lbs. each. See page 87.



6-760
(shown in photo)

Solid Elastomer

Offers best rollability under heavy loads. Capacity up to 1,250 lbs. each. See page 88.



6-222
(shown in photo)

Phenolic

Hard tread wheels made of compression molded phenolic resin filled with macerated fabric. High temperature models available. Capacity up to 1,400 lbs. each. See page 89.



6-250
(shown in photo)

Cast Iron

High capacity premium cast iron. Capacity up to 1,500 lbs. each. See page 90.



6-250V
(shown in photo)

Ductile Iron

Ductile wheels feature higher capacities compared to standard cast iron wheels. Capacity up to 3,800 lbs. each. See page 90.

V-Groove

Cast iron wheels V-grooved for use on inverted angle iron track. Capacity up to 1,000 lbs. each. See page 90.

Cushion / Solid Rubber Wheels

Capacity up to 260 lbs. each



5-105
(shown in photo)

FEATURES

Cushion rubber is non-marking and permanently bonded to a hard rubber wheel core. This economical wheel is recommended for light to medium duty loads where noise reduction, floor protection and durability are required.

- ✓ **Standard Color / Finish:** Black
- ✓ **Optional Color / Finish:** Grey-consult factory
- ✓ **Neoprene:** Consult factory
- ✓ **Tread Hardness:** 75 (± 5) Shore A Scale
- ✓ **Temperature Range:** -30° F to + 160° F

Grey Cushion Rubber Wheels

All black rubber wheels shown in chart above are optionally available in grey. Please consult factory for minimum order quantities and delivery information.



5-105G
(shown in photo)



5-105C
(shown in photo)

FEATURES

Conductive wheels are designed to dissipate static build-up in rolling carts in the computer, electronics and medical industries. Jarvis conductive wheels feature a cushion ride combined with tested durability in a wide variety of operating conditions.

- ✓ **Standard Color / Finish:** Black
- ✓ **Tread Hardness:** 75 (± 5) Shore A Scale
- ✓ **Temperature Range:** -30° F to + 160° F

Black Rubber Wheels

Wheel Diameter (Inches)	Tread Width (Inches)	Bearing	Capacity (Pounds)	Model Number	Bearing Bore (Inches)	Hub Length (Inches)	Approximate Weight (Pounds)
1 5/8	13/16	DELTRIN	75	1-101	1/4	15/16	1/16
2	13/16	DELTRIN	75	2-101	1/4	15/16	1/16
2 1/2	13/16	DELTRIN	80	2-1/2 -101	1/4	15/16	1/8
	1 1/4	DELTRIN	140	2-1/2 -105	1/2	1-1/2	3/8
3	13/16	DELTRIN	75	3 -101	1/4	15/16	1/4
	15/16	DELTRIN	125	3 -103	5/16	1-1/4	5/16
	15/16	BALL	125	3 -132	5/16	1-1/4	5/16
	1 1/4	DELTRIN	150	3 -105	1/2	1-1/2	9/16
	1 1/4	BALL	150	3 -152	1/2	1-1/2	9/16
3 1/2	1 1/4	DELTRIN	160	3-1/2 -105	1/2	1-1/2	3/4
4	15/16	DELTRIN	125	4-103	5/16	1-1/4	9/16
	1 1/4	DELTRIN	170	4-105	1/2	1-1/2	7/8
	1 5/8	SINTERED	225	4-109	5/8	1-15/16	1-1/4
	1 5/8	ROLLER	225	4-209	5/8	1-15/16	1-1/4
5	15/16	DELTRIN	125	5-103	5/16	1-1/4	1
	1 1/4	DELTRIN	200	5-105	1/2	1-1/2	1-1/4
	1 1/4	BALL	200	5-152	1/2	1-1/2	1-1/4
	1 5/8	SINTERED	260	5-109	5/8	1-15/16	1-3/4
	1 5/8	ROLLER	260	5-209	5/8	1-15/16	1-3/4
	1 5/8	DELTRIN	260	5-309	5/8	2-1/16	1-3/4
6	1 9/32	DELTRIN	220	6-105	1/2	1-1/2	1-3/4
	1 1/4	BALL	220	6-152	1/2	1-1/2	1-3/4

Conductive Black Rubber Wheels

Wheel Diameter (Inches)	Tread Width (Inches)	Bearing	Capacity (Pounds)	Model Number	Bearing Bore (Inches)	Hub Length (Inches)	Approximate Weight (Pounds)
2	13/16	SINTERED	75	2-101C	1/4	15/16	1/16
2 1/2	13/16	SINTERED	80	2-1/2 -101C	1/4	15/16	1/8
3	13/16	SINTERED	75	3 -101C	1/4	15/16	1/4
5	1 1/4	SINTERED	200	5-105C	1/2	1-1/2	1-1/4
6	1 9/32	SINTERED	220	6-105C	1/2	1-1/2	1-3/4

Cushion / Solid Rubber Wheels

With Decorative Side Plates

Capacity up to 220 lbs. each



FEATURES

These cushion rubber wheels feature metal decorative side plates that make most any cart or mobile equipment more attractive.

- ✓ **Standard Color / Finish:** Black or Grey
- ✓ **Tread Hardness:** 75 (± 5) Shore A Scale
- ✓ **Temperature Range:** -30° F to + 160° F

Black / Flat Tread

Wheel Diameter (Inches)	Tread Width (Inches)	Bearing	Capacity (Pounds)	Model Number	Bearing Bore (Inches)	Hub Length (Inches)	Approximate Weight (Pounds)
3 1/2	1 1/4	BALL	160	3-1/2 -452	1/2	1-1/2	3/4
4	1 1/8	BALL	165	4-452	1/2	1-1/2	7/8
5	1 1/8	BALL	200	5-452	1/2	1-1/2	1-1/4
	1 1/8	BALL	200	5-452C *	1/2	1-1/2	1-1/4

Grey / Flat Tread

4	1 1/8	BALL	165	4-452G	1/2	1-1/2	7/8
5	1 1/8	BALL	200	5-452G	1/2	1-1/2	1-1/4

Black / Round Tread

4	15/16	DELRIN	125	4-433	5/16	1-1/4	9/16
5	15/16	DELRIN	125	5-433	5/16	1-1/4	1
	1 1/4	BALL	200	5-500	1/2	1-1/2	1-1/4
6	1 1/4	BALL	220	6-500	1/2	1-1/2	1-3/4

Grey / Round Tread

3	15/16	DELRIN	125	3-433G	5/16	1-1/4	5/16
5	1 1/4	BALL	200	5-500G	1/2	1-1/2	1-1/4
6	1 1/4	BALL	220	6-500G	1/2	1-1/2	1-3/4

*Conductive Wheel.

Hard / Solid Rubber Wheels

Capacity up to 400 lbs. each



FEATURES

Hard rubber tread wheels feature one-piece molded construction. These wheels have a higher load capacity than cushion rubber wheels and will not flat-spot while sitting under load (compression set). They are non-marking and offer proven performance under a wide variety of institutional and industrial uses.

- ✓ **Standard Color / Finish:** Black
- ✓ **Tread Hardness:** 75 (± 5) Shore D Scale
- ✓ **Temperature Range:** -30° F to + 160° F

Wheel Diameter (Inches)	Tread Width (Inches)	Bearing	Capacity (Pounds)	Model Number	Bearing Bore (Inches)	Hub Length (Inches)	Approximate Weight (Pounds)
1 5/8	13/16	DELRIN	100	1-102	1/4	15/16	1/16
2	13/16	DELRIN	100	2-102	1/4	15/16	1/16
2 1/2	13/16	DELRIN	100	2-1/2 -102	1/4	15/16	1/8
	1 1/4	DELRIN	210	2-1/2 -106	1/2	1-1/2	3/8
3	13/16	DELRIN	100	3 -102	1/4	15/16	1/4
	15/16	DELRIN	150	3 -104	5/16	1-1/4	5/16
	15/16	BALL	150	3 -142	5/16	1-1/4	5/16
	1 1/4	DELRIN	220	3 -106	1/2	1-1/2	9/16
	1 1/4	BALL	220	3 -162	1/2	1-1/2	9/16
3 1/2	1 1/4	DELRIN	230	3-1/2 -106	1/2	1-1/2	3/4
	1 1/4	BALL	230	3-1/2 -462 *	1/2	1-1/2	3/4
4	15/16	DELRIN	150	4-104	5/16	1-1/4	9/16
	1 1/4	DELRIN	250	4-106	1/2	1-1/2	7/8
	1 5/8	SINTERED	300	4-110	5/8	1-15/16	1-1/4
	1 5/8	ROLLER	300	4-210	5/8	1-15/16	1-1/4
5	15/16	DELRIN	150	5-104	5/16	1-1/4	1
	1 1/8	BALL	280	5-462*	1/2	1-1/2	1-1/4
	1 1/8	BALL	280	5-462*	1/2	1-1/2	1-1/4
	1 1/4	DELRIN	280	5-106	1/2	1-1/2	1-1/4
	1 1/4	BALL	280	5-162	1/2	1-1/2	1-1/4
	1 5/8	SINTERED	400	5-110	5/8	1-15/16	1-3/4
	1 5/8	ROLLER	400	5-210	5/8	1-15/16	1-3/4
	1 5/8	DELRIN	400	5-310	5/8	2-1/16	1-3/4
6	1 9/32	DELRIN	300	6-106	1/2	1-1/2	1-3/4
	1 1/4	BALL	300	6-162	1/2	1-1/2	1-3/4

*Wheel has Decorative Side Plates

Welded Disc Rubber Wheels

Capacity up to 250 lbs. each



5-113
(shown in photo)



5-113G
(shown in photo)

FEATURES

Jarvis welded disc rubber wheels offer designers an attractive alternative for foodservice equipment, medical products, point-of-purchase displays and other institutional applications. These wheels feature a black or grey neoprene rubber tread permanently compressed between two steel discs which are welded together. For improved appearance, the center wheel discs

Wheel Diameter (Inches)	Tread Width (Inches)	Bearing	Capacity (Pounds)	Model Number	Bearing Bore (Inches)	Hub Length (Inches)	Approximate Weight (Pounds)
-------------------------	----------------------	---------	-------------------	--------------	-----------------------	---------------------	-----------------------------

Black Tread Models

3 1/2	1 1/4	BALL	200	3-1/2-113	3/8	1-5/8	1
4	1 1/4	BALL	200	4-113	3/8	1-5/8	1-1/8
5	1 1/4	BALL	200	5-113	3/8	1-5/8	1-1/2
6	1 1/4	BALL	250	6-113	3/4	1-1/2	2-3/8

Grey Tread Models

3 1/2	1 1/4	BALL	200	3-1/2-113G	3/8	1-5/8	1
4	1 1/4	BALL	200	4-113G	3/8	1-5/8	1-1/8
5	1 1/4	BALL	200	5-113G	3/8	1-5/8	1-1/2
6	1 1/4	BALL	250	6-113G	3/4	1-1/2	2-3/8

are plated with a durable bright nickel plating. Welded disc rubber wheels are quiet rolling and offer excellent floor protection.

- ✓ **Standard Color / Finish:** Black or grey tread on bright nickel plated wheel core
- ✓ **Tread Hardness:** 75 (± 5) Shore A Scale
- ✓ **Temperature Range:** -40° F to + 160° F

Stainless Steel Wheel Discs

To order, add "SS" to suffix of model number (Example: 5-113GSS).

Welded Disc Polyurethane Wheels

Capacity up to 300 lbs. each



5-113P
(shown in photo)

FEATURES

Welded Disc Polyurethane wheels feature a dark blue polyurethane tire molded to fit permanently between two bright nickel plated steel discs which are welded together. They provide greater load capacity than similar style rubber tread models and are able to withstand impacts while offering maximum floor protection. Polyurethane tread wheels are known for their long service life and durability in a wide range of applications from institutional equipment to retail applications.

Wheel Diameter (Inches)	Tread Width (Inches)	Bearing	Capacity (Pounds)	Model Number	Bearing Bore (Inches)	Hub Length (Inches)	Approximate Weight (Pounds)
-------------------------	----------------------	---------	-------------------	--------------	-----------------------	---------------------	-----------------------------

- ✓ **Standard Color / Finish:** Blue tread on bright nickel plated wheel core
- ✓ **Tread Hardness:** 95 (± 5) Shore A Scale
- ✓ **Temperature Range:** -40° F to + 180° F

Stainless Steel Wheel Discs

To order, add "SS" to suffix of model number (Example: 5-113PSS).

Advantage™ TPR / Round Tread Wheels

Capacity up to 300 lbs. each



5-213GD
(shown in photo)

Wheel Diameter (Inches)	Tread Width (Inches)	Bearing	Capacity (Pounds)	Model Number	Bearing Bore (Inches)	Hub Length (Inches)	Approximate Weight (Pounds)
3 1/2	1 1/4	BALL	225	3-1/2-213GD	3/8	1-5/8	1/2
		DELRIN	225	3-1/2-314GD	1/2	1-1/2	1/2
4	1 1/4	BALL	250	4-213GD	3/8	1-5/8	5/8
		DELRIN	250	4-314GD	1/2	1-1/2	5/8
5	1 1/4	BALL	250	5-213GD	3/8	1-5/8	3/4
		DELRIN	250	5-314GD	1/2	1-1/2	3/4
6	1 1/4	BALL	300	6-213GD	3/8	1-5/8	1
		DELRIN	300	6-314GD	1/2	1-1/2	1

FEATURES

Advantage wheels feature a grey, special modulus TPR (Thermoplastic Rubber) round tread permanently bonded to a rugged polyolefin wheel core. These attractive crowned tread wheels offer superior rolling and maneuvering ease with high performance levels that exceed other tread materials. Thanks to their cushion ride, they are ideally suited for a wide variety of foodservice, healthcare and institutional applications. All Advantage wheels are non-marking which reduces unsightly marking and scuffing of floors. They are a good choice for use in wet or damp environments.

- ✓ **Standard Color / Finish:** Dark grey tread on light grey wheel core
- ✓ **Tread Hardness:** 65 (± 5) Shore A Scale
- ✓ **Temperature Range:** -40° F to + 180° F

CONDUCTIVE OPTION

Above wheel models optionally available with conductive non-marking grey tread. Consult factory.

Advantage™ TPR / Flat Tread Wheels

Capacity up to 325 lbs. each



5-213GF
(shown in photo)

Wheel Diameter (Inches)	Tread Width (Inches)	Bearing	Capacity (Pounds)	Model Number	Bearing Bore (Inches)	Hub Length (Inches)	Approximate Weight (Pounds)
3 1/2	1 1/4	BALL	225	3-1/2-213GF	3/8	1-5/8	1/2
		DELRIN	225	3-1/2-314GF	1/2	1-1/2	1/2
4	1 1/4	BALL	300	4-213GF	3/8	1-5/8	5/8
		DELRIN	300	4-314GF	1/2	1-1/2	5/8
5	1 1/4	BALL	325	5-213GF	3/8	1-5/8	3/4
		DELRIN	325	5-314GF	1/2	1-1/2	3/4

FEATURES

Flat tread Advantage wheels offer the same outstanding performance characteristics with the added bonus of greater load capacity. They carry heavier loads while maintaining their non-marking and easy rolling abilities. A flat, grey special modulus TPR (Thermoplastic Rubber) tread is permanently bonded to a solid polyolefin wheel core. This unique tread is formulated to resist "chinking" and rejects floor debris. Advantage flat tread models are well suited for institutional uses as well as warehouse, industrial and wet environments.

- ✓ **Standard Color / Finish:** Dark grey tread on light grey wheel core
- ✓ **Tread Hardness:** 65 (± 5) Shore A Scale
- ✓ **Temperature Range:** -40° F to + 180° F

CONDUCTIVE OPTION

Above wheel models optionally available with conductive non-marking grey tread. Consult factory.

Advantage™ TPR HD Round Tread Wheels

Capacity up to 500 lbs. each



6-220GD
(shown in photo)

Wheel Diameter (Inches)	Tread Width (Inches)	Bearing	Capacity (Pounds)	Model Number	Bearing Bore (Inches)	Hub Length (Inches)	Approximate Weight (Pounds)
6	2	BALL	450	6-220GDB	3/4	2-3/8	1-3/4
		ROLLER	450	6-220GD	3/4	2-3/8	1-3/4
		DELRIN	450	6-320GD	3/4	2-3/8	1-3/4
8	2	BALL	500	8-220GDB	3/4	2-3/8	2-1/2
		ROLLER	500	8-220GD	3/4	2-3/8	2-1/2
		DELRIN	500	8-320GD	3/4	2-3/8	2-1/2

FEATURES

For added capacity and maneuverability, Advantage HD round tread wheels offer greater capacity with non-marking floor protection and a resistance to harsh environments and frequent wash cycles. The unique Advantage crowned tread composition offers lower coefficient of friction for effortless starts and swiveling ease.

Each Jarvis Advantage wheel features a special grey modulus TPR (Thermoplastic Rubber) tread permanently bonded to a rugged polyolefin wheel core. This combination of materials equals a cushion ride over rough or uneven floors.

- ✓ **Standard Color / Finish:** Dark grey tread on light grey wheel core
- ✓ **Tread Hardness:** 65 (± 5) Shore A Scale
- ✓ **Temperature Range:** -40° F to + 180° F

CONDUCTIVE OPTION

Above wheel models optionally available with conductive non-marking grey tread. Consult factory.

Advantage™ TPR HD Flat Tread Wheels

Capacity up to 675 lbs. each



6-220GF
(shown in photo)

Wheel Diameter (Inches)	Tread Width (Inches)	Bearing	Capacity (Pounds)	Model Number	Bearing Bore (Inches)	Hub Length (Inches)	Approximate Weight (Pounds)
4	2	ROLLER	350	4-220GF	3/4	2-3/8	1-3/8
		DELRIN	350	4-320GF	3/4	2-3/8	1-3/8
5	1 1/2	ROLLER	350	5-215GF	3/4	2	1-3/8
		DELRIN	350	5-315GF	3/4	2	1-3/8
	2	ROLLER	375	5-220GF	3/4	2-3/8	1-1/2
		DELRIN	375	5-320GF	3/4	2-3/8	1-1/2
6	1 1/2	ROLLER	375	6-215GF	3/4	2	1-5/8
		DELRIN	375	6-315GF	3/4	2	1-5/8
	2	ROLLER	600	6-220GF	3/4	2-3/8	1-3/4
		DELRIN	600	6-320GF	3/4	2-3/8	1-3/4
8	1 1/2	ROLLER	500	8-215GF	3/4	2	2-1/4
		BALL	500	8-215GFB	3/4	2-1/4	2-1/4
		DELRIN	500	8-315GF	3/4	2	2-1/4
	2	ROLLER	675	8-220GF	3/4	2-3/8	2-1/2
		DELRIN	675	8-320GF	3/4	2-3/8	2-1/2

FEATURES

Advantage HD flat tread wheels protect your cargo from shock loading and harsh impacts. Like all Jarvis Advantage wheels, these flat tread models feature a special grey modulus TPR (Thermoplastic Rubber) tread permanently bonded to a solid polyolefin wheel core. They feature a specially blended tread compound that rejects floor debris and metal shavings while providing rolling and swiveling ease. Each Advantage wheel

is designed to withstand harsh environments such as water, oil and grease, solvents, chemicals and harsh cleaning compounds.

- ✓ **Standard Color / Finish:** Dark grey tread on light grey wheel core
- ✓ **Tread Hardness:** 65 (± 5) Shore A Scale
- ✓ **Temperature Range:** -40° F to + 180° F

CONDUCTIVE OPTION

Above wheel models optionally available with conductive non-marking grey tread. Consult factory.

Advantage™ Heat Wheels

Capacity up to 325 lbs. each



- ✓ Unique soft tread wheel handles the heat for autoclave applications
- ✓ Wheels roll quiet and offer a smoother ride compared to traditional high temperature wheels
- ✓ Recommended for use in hospitals, laboratories and cleanrooms
- ✓ Corrosion resistant thermoplastics make wheel perfect for washdown and steam clean applications
- ✓ Resilient tread material rejects floor debris compared to many dirt magnet wheels on the market

Wheel Diameter (Inches)	Tread Width (Inches)	Bearing	Capacity (Pounds)	Wheel Model Number	Bearing Bore (Inches)	Bore Less Bearing (Inches)	Hub Length (Inches)
-------------------------	----------------------	---------	-------------------	--------------------	-----------------------	----------------------------	---------------------

Advantage Heat Flat

3 1/2	1 1/4	STAINLESS BALL	225*	3-1/2-213RTF	3/8	1-1/8	1-5/8
4	1 1/4	STAINLESS BALL	300*	4-213RTF	3/8	1-1/8	1-5/8
5	1 1/4	STAINLESS BALL	300*	5-213RTF	3/8	1-1/8	1-5/8
6	1 1/4	STAINLESS BALL	325*	6-213RTF	3/8	1-1/8	1-5/8

Advantage Heat Round

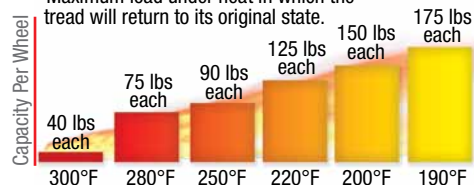
3 1/2	1 1/4	STAINLESS BALL	225*	3-1/2-213RTR	3/8	1-1/8	1-5/8
4	1 1/4	STAINLESS BALL	300*	4-213RTR	3/8	1-1/8	1-5/8
5	1 1/4	STAINLESS BALL	300*	5-213RTR	3/8	1-1/8	1-5/8
6	1 1/4	STAINLESS BALL	325*	6-213RTR	3/8	1-1/8	1-5/8

Choice of ball, stainless ball, precision ball and delrin bearings available

- ✓ **Tread Hardness:** 65 (± 5) Shore A Scale
- ✓ **Temperature Range:** see Tread Elasticity vs Temperature chart at right

Tread Elasticity Vs. Temperature

*Maximum load under heat in which the tread will return to its original state.



2" tread width Advantage Heat Coming Soon

Advantage™ Health Wheels

Capacity up to 675 lbs. each



- ✓ New antimicrobial wheel is designed to suppress the growth of microbes including bacteria, mold and fungi
- ✓ Recommended for use in hospitals, laboratories, food service industry and cleanrooms
- ✓ Additive in wheel is approved for use in the medical and food service industry, with the additive being certified by the FDA, EPA and NSF
- ✓ Choice of ball, stainless ball, precision ball and delrin bearings available
- ✓ **Tread Hardness:** 65 (± 5) Shore A Scale
- ✓ **Temperature Range:** -40°F to 180°F

Wheel Diameter (Inches)	Tread Width (Inches)	Bearing	Capacity (Pounds)	Wheel Model Number	Bearing Bore (Inches)	Bore Less Bearing (Inches)	Hub Length (Inches)
-------------------------	----------------------	---------	-------------------	--------------------	-----------------------	----------------------------	---------------------

Advantage Health

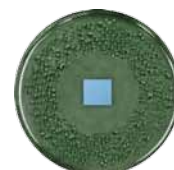
3 1/2	1 1/4	STAINLESS BALL	225	3-1/2-213MF	3/8	1-1/8	1-5/8
4	1 1/4	STAINLESS BALL	300	4-213MF	3/8	1-1/8	1-5/8
5	1 1/4	STAINLESS BALL	300	5-213MF	3/8	1-1/8	1-5/8
6	1 1/4	STAINLESS BALL	325	6-213MF	3/8	1-1/8	1-5/8

Advantage HD Health

4	2	ROLLER	350	4-220MF	3/4	2-3/8	1-3/16
5	2	ROLLER	375	5-220MF	3/4	2-3/8	1-3/16
6	2	ROLLER	600	6-220MF	3/4	2-3/8	1-3/16
8	2	ROLLER	675	8-220MF	3/4	2-3/8	1-3/16



Round tread models available. Change MF to MD



Petri dish show the difference in bacterial growth over a seven day incubation period. The additive lasts the life of the wheel for continuous suppression of microbe growth.

Moldon Rubber Aluminum Core Wheels

Capacity up to 500 lbs. each



6-620
(shown in photo)

FEATURES

Moldon Rubber wheels feature a cushion rubber tread permanently vulcanized to a die-cast aluminum wheel core. These wheels are a good choice when a light weight wheel is needed with good load capacity and shock absorbing capability. They offer maximum floor protection and quiet operation on a variety of floor surfaces.

- ✓ **Standard Color / Finish:** Black tread on die-cast aluminum wheel core
- ✓ **Tread Hardness:** 75 (± 5) Shore A Scale
- ✓ **Temperature Range:** -40° F to + 160° F

Wheel Diameter (Inches)	Tread Width (Inches)	Bearing	Capacity (Pounds)	Model Number	Bearing Bore (Inches)	Bore Less Bearing (Inches)	Hub Length (Inches)	Approximate Weight (Pounds)
4	1 1/2	BALL	200	4-615B	1/2, 5/8, 3/4	1-3/8	1-3/4	1-3/8
	2	ROLLER	300	4-620	3/4	1-3/16	2-3/8	1-1/2
5	1 1/2	BALL	250	5-615B	1/2, 5/8, 3/4	1-3/8	1-3/4	1-3/4
	2	BALL	350	5-620B	1/2, 5/8, 3/4	1-3/8	2-1/4	2
		ROLLER	350	5-620	3/4	1-5/8	2-3/8	2
6	1 1/2	BALL	300	6-615B	1/2, 5/8, 3/4	1-3/8	1-3/4	2-1/2
	2	BALL	410	6-620B	1/2, 5/8, 3/4	1-3/8	2-1/4	2-1/2
		ROLLER	410	6-620	3/4	1-5/8	2-3/8	2-1/2
8	1 5/8	BALL	450	8-615B2	1/2, 5/8, 3/4	1-3/8	2	3
		BALL	450	8-615B	1/2, 5/8, 3/4	1-3/8	2-1/4	3
		BALL	450	8-615B0	1/2, 5/8, 3/4	1-3/8	1-3/4 OFFSET	3
	2	BALL	500	8-620B	1/2, 5/8, 3/4	1-3/8	2-1/4	3-1/2
		ROLLER	500	8-620	3/4	1-3/16	2-3/8	3-1/2
10	1 5/8	BALL	500	10-615B0	1/2, 5/8, 3/4	1-3/8	1-5/8 OFFSET	7

Moldon Rubber Cast Iron Core Wheels

Capacity up to 500 lbs. each



6-620CI
(shown in photo)

FEATURES

For heavy duty industrial applications, Moldon Rubber wheels are an all-purpose industry standard. They are recommended for heavy loads where high strength and maximum shock absorption are important. These models are an economical choice for tough, abusive conditions. Special bore and

keyway sizes are available. Please consult factory.

- ✓ **Standard Color / Finish:** Black rubber on black spoke wheel core
- ✓ **Tread Hardness:** 75 (± 5) Shore A Scale
- ✓ **Temperature Range:** -40° F to + 160° F

Wheel Diameter (Inches)	Tread Width (Inches)	Bearing	Capacity (Pounds)	Model Number	Bearing Bore (Inches)	Bore Less Bearing (Inches)	Hub Length (Inches)	Approximate Weight (Pounds)
4	2	ROLLER	400	4-620CI	3/4	1-3/16	2-3/8	4-1/2
5	2	ROLLER	400	5-620CI	3/4	1-3/16	2-3/8	5
6	2	ROLLER	450	6-620CI	3/4	1-3/16	2-3/8	2-1/2
8	2	ROLLER	500	8-620CI	3/4	1-3/16	2-3/8	8-1/2

High Modulus Rubber Wheels

Capacity up to 550 lbs. each



6-600
(shown in photo)



8-600G
(shown in photo)

Wheel Diameter (Inches)	Tread Width (Inches)	Bearing	Capacity (Pounds)	Model Number	Bearing Bore (Inches)	Hub Length (Inches)	Approximate Weight (Pounds)
-------------------------	----------------------	---------	-------------------	--------------	-----------------------	---------------------	-----------------------------

Black Rubber

6	2 1/8	Ball	350	6-600	5/8	2-1/4	3
8	2 1/4	Ball	450	8-600	5/8	2-1/4	4-1/2
10	2 1/4	Ball	550	10-600	5/8	2-1/4	6
		Ball	550	10-600HD	1	2-1/2	7

Grey Rubber

6	2 1/8	Ball	350	6-600G	5/8	2-1/4	3
8	2 1/4	Ball	450	8-600G	5/8	2-1/4	4-1/2
10	2 1/4	Ball	550	10-600G	5/8	2-1/4	6

FEATURES

High Modulus Donut wheels offer extreme resiliency and mobility. These attractive soft tread wheels deliver a quiet, cushion ride even on rough or uneven floor surfaces. The crowned "donut" tread design offers swiveling ease and

rollability with minimum friction. Special blended modulus rubber compound is permanently bonded to a solid aluminum core which results in a strong but light weight wheel.

- ✓ **Standard Color / Finish:** black or grey rubber on aluminum wheel core
- ✓ **Tread Hardness:** 65 (± 5) Shore A Scale
- ✓ **Temperature Range:** -40° F to + 160° F

Full-Pneumatic Wheels

Capacity up to 470 lbs. each



8-940
(shown in photo)



8-940G
(shown in photo)



8-940BLKBRASS
(shown in photo)

Wheel Diameter (Inches)	Tread Width (Inches)	Bearing	Capacity (Pounds)	Model Number	Bearing Bore (Inches)	Hub Length (Inches)	Inflation Pressure (PSI)
-------------------------	----------------------	---------	-------------------	--------------	-----------------------	---------------------	--------------------------

Black Tread / Zinc Hub

8	2.80 / 4	Ball	310	8-940	1/2	3	50
10	4.10 / 4	Ball	470	10-940	1/2	4	50

Grey Tread / Zinc Hub

8	2.80 / 4	Ball	310	8-940G	1/2	3	50
----------	----------	------	-----	--------	-----	---	----

Black Tread / Polished Brass

8	2.80 / 4	Ball	310	8-940BLKBRASS	1/2	3	50
----------	----------	------	-----	---------------	-----	---	----

FEATURES

Pneumatic wheels are similar to automotive tires and provide the ultimate in cushion ride and shock absorption. They are well suited for moving fragile loads quietly over a variety of floor surfaces, both inside and out. Pneumatic tires have inner tubes and require air inflation.

Jarvis pneumatic wheels are premium quality and are designed to eliminate lobe and wobble while rolling.

- ✓ **Standard Color / Finish:** black rubber tire on steel wheel discs
- ✓ **Temperature Range:** -20° F to + 160° F

TPR / Polyolefin

Capacity up to 125 lbs. each



5-201G
(shown in photo)

FEATURES

Cushion thermoplastic rubber (TPR) tread bonded to a light-weight yet extremely durable polyolefin wheel core. An economical wheel designed for moving light loads with non-marking floor

Wheel Diameter (Inches)	Tread Width (Inches)	Bearing	Capacity (Pounds)	Model Number	Bearing Bore (Inches)	Hub Length (Inches)	Approximate Weight (Pounds)
3	15/16	Plain	125	3-201G	5/16	1-1/4	5/16
4	15/16	Plain	125	4-201G	5/16	1-1/4	9/16
5	15/16	Plain	125	5-201G	5/16	1-1/4	1

protection. Ideally suited for point-of-purchase displays, audio-visual carts, janitorial equipment and light assembly stands. Plain bearing is standard.

- ✓ **Standard Color / Finish:** Grey tread on black polyolefin wheel core.
- ✓ **Tread Hardness:** 75 (± 5) Shore A Scale
- ✓ **Temperature Range:** -40° F to + 180°

Polyolefin Wheels

Capacity up to 900 lbs. each



5-513
(shown in photo)

FEATURES

Polyolefin wheels are a lightweight, economical, hard tread wheel that withstands hard impacts and abusive conditions. These injection molded thermoplastic models are well suited to a wide variety of institutional and industrial applications.

Despite their light weight, their impact strength is superior to hard rubber wheels. Polyolefin wheels are impervious to water, oils, grease, solvents, acids and many chemicals.

- ✓ **Standard Color / Finish:** black
- ✓ **Tread Hardness:** 65 (± 5) Shore D Scale
- ✓ **Temperature Range:** -20° F to + 180° F

Wheel Diameter (Inches)	Tread Width (Inches)	Bearing	Capacity (Pounds)	Model Number	Bearing Bore (Inches)	Hub Length (Inches)	Approximate Weight (Pounds)
2	13/16	PLAIN	100	2-501	1/4	7/8	1/8
2 1/2	13/16	PLAIN	100	2-1/2-501	1/4	7/8	3/16
	1 1/8	PLAIN	180	2-1/2-511	5/16	1-1/4	1/4
	1 1/4	PLAIN	200	2-1/2-513	1/2	1-1/2	3/8
	1 3/8	BALL	350	2-1/2-522	1/2	1-1/2	1/2
	1 13/16	PLAIN ROLLER	400	2-1/2-531	5/8	1-15/16	5/8
			400	2-1/2-532	3/4	1-15/16	5/8
3	13/16	PLAIN	150	3-501	1/4	7/8	1/8
	1 1/8	PLAIN	200	3-511	5/16	1-1/4	1/4
	1 1/4	PLAIN	250	3-521	1/2	1-1/2	1/2
	1 3/8	PLAIN ROLLER	500	3-531	5/8	1-15/16	5/8
	1 13/16	PLAIN ROLLER	500	3-532	3/4	1-15/16	5/8
3 1/2	1 1/4	PLAIN	250	3-1/2 - 513	1/2	1-1/2	7/8
4	1	PLAIN	150	4-511	5/16	1-1/4	1/2
	1 1/4	PLAIN	275	4-513	1/2	1-1/2	1
	1 1/2	PLAIN	375	4-521	3/4	1-5/8	3/4
		ROLLER	375	4-522	3/4	1-5/8	3/4
	2	PLAIN	500	4-531	3/4	2-3/16	3/4
ROLLER		500	4-532	3/4	2-3/8	3/4	
5	1	PLAIN	150	5-511	5/16	1-1/4	5/8
	1 1/4	PLAIN	300	5-513	3/8	1-1/2	1
		BALL	300	5-514	3/8	1-1/2	1
	1 1/2	PLAIN	450	5-521	3/4	1-5/8	1
		ROLLER	450	5-522	3/4	1-5/8	1
	2	PLAIN	650	5-531	3/4	2-3/16	1-1/8
		ROLLER	650	5-532	3/4	2-3/8	1-1/8
6	1 3/8	PLAIN	450	6-521	1/2	1-1/2	3/4
	1 1/2	DELRRIN	500	6-523	3/4	2	1
		ROLLER	500	6-522	3/4	1-7/8	1
	2	PLAIN	700	6-531	3/4	2-3/16	1-1/4
		ROLLER	700	6-532	3/4	2-3/8	1-1/4
8	1 1/2	ROLLER	600	8-522	3/4	2	1
	2	PLAIN	900	8-531	3/4	2-3/16	1-1/2
		ROLLER	900	8-532	3/4	2-3/8	1-1/2

Hi-Temp Resin Wheels

Capacity up to 600 lbs. each



5-521 NHT
(shown in photo)

Wheel Diameter (Inches)	Tread Width (Inches)	Bearing	Capacity (Pounds)	Model Number	Bearing Bore (Inches)	Hub Length (Inches)	Approximate Weight (Pounds)
3 1/2	1 1/4	PLAIN	600	3-1/2-521 HTN	1/2	1-3/4	1/2
4	1 1/2	PLAIN	375	4-521 HT	1/2	1-5/8	3/4
5	1 1/2	PLAIN	450	5-521 NHT	1/2	1-5/8	1

FEATURES

Exclusive blended resin compound is designed to withstand the extreme high-temperatures required by certain industries and applications. These easy rolling wheels will not absorb moisture and offer high load ratings and long service life. In addition, they are resistant to most solvents, salts,

alkalines, cooking oils, cleaning chemicals, steam cleaning and water immersion.

They are ideally suited for high temperature applications such as bakeries, food processing plants and industrial parts heating operations.

- ✓ **Standard Color / Finish:** Brown (3 1/2" model)
Black (4" and 5" models)
- ✓ **Tread Hardness:** 75 (± 5) Shore D Scale
- ✓ **Temperature Range:**
(Continuous) -20° F to + 475° F
(Intermittent) -20° F to + 575° F

Triton Wheels

Capacity up to 1,500 lbs. each



Wheel Diameter (Inches)	Tread Width (Inches)	Bearing	Capacity (Pounds)	Wheel Model Number	Bearing Bore (Inches)	Bore Less Bearing (Inches)	Hub Length (Inches)
6	2	SEALED ROLLER	1,500	6-535T RB	1/2	1-3/16	2-3/8
6	2	LESS ROLLER	1,500	6-535T	LESS BEARING	1-3/16	2-3/8

FEATURES

- ✓ Higher load capacities than Phenolic wheels
- ✓ Enhanced polypropylene material has non-absorbent characteristics which enable longer life cycle
- ✓ Manufactured with non-hazardous substances
- ✓ Quieter than Phenolic wheels
- ✓ Resists damage from hard impacts and shocks
- ✓ Competitively priced!

Magnum™ Wheels

Capacity up to 1,200 lbs. each



Orange 73D (±5) Durometer

Wheel Dia. (Inches)	Tread Width (Inches)	Bearing	Capacity (Pounds)	Model Number	Bearing Bore (Inches)	Hub Length (Inches)	Approx. Weight (Pounds)
4	2	Prec. Ball	900	UAP.04/20.1/2 73D	1/2	2-7/16	1-1/4
6	2	Prec. Ball	1,000	UAP.06/20.1/2 73D	1/2	2-7/16	3
8	2	Prec. Ball	1,200	UAP.08/20.1/2 73D	1/2	2-7/16	5-1/4

FEATURES

Jarvis Caster's new Magnum polyurethane wheels are designed to meet today's most stringent ergonomic needs. These premium polyurethane wheels are standard with crowned treads, sealed precision ball bearings and top hat reducing bushings for optimum rollability. Magnum wheels will perform well in both manual and power-towed material handling applications. They are available in five different tread durometers (hardness) and color coded for easy identification.

The polyurethane treads are both mechanically and chemically bonded to die-cast aluminum wheel centers (chemically for 4" diameter models). This dual bonding process prevents tread separation, which is the most common reason for polyurethane tread failure. Jarvis Caster's Magnum polyurethane wheels will provide longer life, higher capacity, superior rollability and are more energy efficient than conventional rubber-tired wheels.

Magnum Polyurethane Wheels Feature:

- Superior rollability
- Excellent floor protection
- Resistance to most chemicals and oils
- Non-marking
- Temperature range: -40° to +180°F
- Color coded hardness system



Grey 60D (±5) Durometer

Wheel Dia. (Inches)	Tread Width (Inches)	Bearing	Capacity (Pounds)	Model Number	Bearing Bore (Inches)	Hub Length (Inches)	Approx. Weight (Pounds)
4	2	Prec. Ball	800	UAP.04/20.1/2 60D	1/2	2-7/16	1-1/4
6	2	Prec. Ball	1,000	UAP.06/20.1/2 60D	1/2	2-7/16	3
8	2	Prec. Ball	1,000	UAP.08/20.1/2 60D	1/2	2-7/16	5-1/4



Blue 95A (±5) Durometer

Wheel Dia. (Inches)	Tread Width (Inches)	Bearing	Capacity (Pounds)	Model Number	Bearing Bore (Inches)	Hub Length (Inches)	Approx. Weight (Pounds)
4	2	Prec. Ball	700	UAP.04/20.1/2 95A	1/2	2-7/16	1-1/4
6	2	Prec. Ball	750	UAP.06/20.1/2 95A	1/2	2-7/16	3
8	2	Prec. Ball	900	UAP.08/20.1/2 95A	1/2	2-7/16	5-1/4



Red 80A (±5) Durometer

Wheel Dia. (Inches)	Tread Width (Inches)	Bearing	Capacity (Pounds)	Model Number	Bearing Bore (Inches)	Hub Length (Inches)	Approx. Weight (Pounds)
4	2	Prec. Ball	500	UAP.04/20.1/2 80A	1/2	2-7/16	1-1/4
6	2	Prec. Ball	500	UAP.06/20.1/2 80A	1/2	2-7/16	3
8	2	Prec. Ball	800	UAP.08/20.1/2 80A	1/2	2-7/16	5-1/4



Black 70A (±5) Durometer

Wheel Dia. (Inches)	Tread Width (Inches)	Bearing	Capacity (Pounds)	Model Number	Bearing Bore (Inches)	Hub Length (Inches)	Approx. Weight (Pounds)
4	2	Prec. Ball	400	UAP.04/20.1/2 70A	1/2	2-7/16	1-1/4
6	2	Prec. Ball	410	UAP.06/20.1/2 70A	1/2	2-7/16	3
8	2	Prec. Ball	500	UAP.08/20.1/2 70A	1/2	2-7/16	5-1/4

PolyLoc™ / Blue Polyurethane Wheels

Capacity up to 350 lbs. each



5-213P
(shown in photo)

FEATURES

For those looking for a brighter, more eye-appealing wheel, Jarvis PolyLoc blue tread wheels are a natural choice. These models feature a durable dark blue polyurethane crowned tread mechanically locked to a solid polyolefin wheel core. Tread is molded in, around and through a ribbed wheel core to prevent tread separation when exposed to conditions of water and solvents.

These models are equipped with single row precision ball bearings for rolling ease. Built in hub caps are color coordinated to match the wheel tread for a very attractive, yet functional and durable wheel.

- ✓ **Standard Color / Finish:** Dark blue tread on light grey wheel core
- ✓ **Tread Hardness:** 95 (± 5) Shore A Scale
- ✓ **Temperature Range:** -30° F to + 180° F

Wheel Diameter (Inches)	Tread Width (Inches)	Bearing	Capacity (Pounds)	Model Number	Bearing Bore (Inches)	Hub Length (Inches)	Approximate Weight (Pounds)
3 1/2	1 1/4	Ball	250	3-1/2-213P	3/8	1-5/8	1/2
4	1	Ball	150	4-212P	5/16	1-1/4	1/2
	1 1/4	Ball	275	4-213P	3/8	1-5/8	3/4
5	1	Ball	160	5-212P	5/16	1-1/4	3/4
	1 1/4	Ball	300	5-213P	3/8	1-5/8	1-1/8
6	1 1/4	Ball	350	6-213P	3/8	1-5/8	1-1/4

PolyLoc™ / Grey Polyurethane Wheels

Capacity up to 350 lbs. each



5-213G
(shown in photo)

FEATURES

PolyLoc wheels feature a durable grey polyurethane tread mechanically locked to a solid polyolefin wheel core. Tread is molded in, around and through a ribbed wheel core to prevent tread separation (de-bonding) when exposed to conditions of water and solvents.

PolyLoc wheels are virtually indestructible and offer a long service life. These models are equipped with single row precision ball bearings for rolling ease. Built in hub caps are color coordinated to match the wheel tread for a very attractive, yet functional wheel.

- ✓ **Standard Color / Finish:** Dark grey tread on light grey wheel core
- ✓ **Tread Hardness:** 95 (± 5) Shore A Scale
- ✓ **Temperature Range:** -30° F to + 180° F

Wheel Diameter (Inches)	Tread Width (Inches)	Bearing	Capacity (Pounds)	Model Number	Bearing Bore (Inches)	Hub Length (Inches)	Approximate Weight (Pounds)
3 1/2	1 1/4	Ball	250	3-1/2-213G	3/8	1-5/8	1/2
		Delrin	250	3-1/2-314G	1/2	1-1/2	1/2
4	1	Delrin	150	4-211G	5/16	1-1/4	1/2
		Ball	150	4-212G	5/16	1-1/4	1/2
	1 1/4	Ball	275	4-213G	3/8	1-5/8	3/4
		Delrin	275	4-314G	1/2	1-1/2	3/4
5	1	Delrin	160	5-211G	5/16	1-1/4	3/4
		Ball	160	5-212G	5/16	1-1/4	3/4
	1 1/4	Ball	300	5-213G	3/8	1-5/8	1-1/8
		Delrin	300	5-314G	1/2	1-1/2	1-1/8
6	1 1/4	Ball	350	6-213G	3/8	1-5/8	1-1/4
		Delrin	350	6-314G	1/2	1-1/2	1-1/4

PolyLoc™ / Blue Polyurethane Wheels

Capacity up to 1,000 lbs. each



6-220P
(shown in photo)

FEATURES

Attractive blue polyurethane is mechanically locked to grey polyolefin wheel core for lasting performance in demanding applications. The tread will not separate or de-bond under extreme water or liquid conditions, and it offers excellent abrasion resistance. Sealed roller bearings are designed to keep water and contaminants out and lubrication in for long service life.

- ✓ **Standard Color / Finish:** Dark blue tread on light grey wheel core
- ✓ **Tread Hardness:** 95 (± 5) Shore A Scale
- ✓ **Temperature Range:** -30° F to + 180° F

Wheel Diameter (Inches)	Tread Width (Inches)	Bearing	Capacity (Pounds)	Model Number	Bearing Bore (Inches)	Hub Length (Inches)	Approximate Weight (Pounds)
4	2	Roller	600	4-220P	3/4	2-3/8	1
5	1 1/2	Roller	500	5-215P	3/4	2	1-1/4
	2	Roller	750	5-220P	3/4	2-3/8	1-1/2
		Delrin	750	5-320P	3/4	2-3/8	1-1/2
6	1 1/2	Roller	600	6-215P	3/4	2	1-3/4
	2	Roller	900	6-220P	3/4	2-3/8	2-3/4
		Delrin	900	6-320P	3/4	2-3/8	2-3/4
8	1 1/2	Roller	800	8-215P	3/4	2	2-1/4
	2	Roller	1,000	8-220P	3/4	2-3/8	2-3/4
		Delrin	1,000	8-320P	3/4	2-3/8	2-3/4

PolyLoc™ / Grey Polyurethane Wheels

Capacity up to 1,000 lbs. each



6-220G
(shown in photo)

FEATURES

Designed for a variety of institutional and industrial uses, this PolyLoc wheel features a grey polyurethane tread mechanically locked to a polyolefin wheel core. The thick, heavy duty wheel hub makes this model ideal for applications where shock and heavy loading are factors.

- ✓ **Standard Color / Finish:** Dark grey tread on light grey wheel core
- ✓ **Tread Hardness:** 95 (± 5) Shore A Scale
- ✓ **Temperature Range:** -30° F to + 180° F

Wheel Diameter (Inches)	Tread Width (Inches)	Bearing	Capacity (Pounds)	Model Number	Bearing Bore (Inches)	Hub Length (Inches)	Approximate Weight (Pounds)
4	2	Roller	600	4-220G	3/4	2-3/8	1-1/4
		Delrin	600	4-320G	3/4	2-3/8	1-1/4
5	1 1/2	Roller	500	5-215G	3/4	2	1-1/4
		Delrin	500	5-315G	3/4	2	1-1/4
	2	Roller	700	5-220G	3/4	2-3/8	1-1/2
		Delrin	700	5-320G	3/4	2-3/8	1-1/2
6	1 1/2	Roller	600	6-215G	3/4	2	1-3/4
		Delrin	600	6-315G	3/4	2	1-3/4
	2	Roller	800	6-220G	3/4	2-3/8	1-3/4
		Delrin	800	6-320G	3/4	2-3/8	1-3/4
8	1 1/2	Roller	800	8-215G	3/4	2	2-1/4
		Ball	800	8-215BG	3/4	2-1/4	2-1/4
		Delrin	800	8-315G	3/4	2	2-1/4
	2	Roller	1,000	8-220G	3/4	2-3/8	2-3/4
		Delrin	1,000	8-320G	3/4	2-3/8	2-3/4

Moldon Polyurethane Aluminum Core Wheels

Capacity up to 1,200 lbs. each



6-720
(shown in photo)

FEATURES

Moldon Polyurethane wheels feature a blue polyurethane tread permanently vulcanized to a die-cast aluminum wheel core. Polyurethane typically outlasts rubber treads five-to-one while resisting most oils, acids and other chemicals.

Their aluminum wheel core allows for a light weight wheel without loss of load capacity. They provide maximum floor protection while under heavy loads and will not take a compression set (flat spot) when left standing for long periods of time.

Wheel Diameter (Inches)	Tread Width (Inches)	Bearing	Capacity (Pounds)	Model Number	Bearing Bore (Inches)	Bore Less Bearing (Inches)	Hub Length (Inches)	Approximate Weight (Pounds)
4	1 1/2	BALL	425	4-715B	1/2, 5/8, 3/4	1-3/8	1-3/4	1-1/2
	2	ROLLER	600	4-720	3/4	1-3/16	2-3/8	2-3/8
5	1 1/2	BALL	600	5-715B	1/2, 5/8, 3/4	1-3/8	1-3/4	1-3/4
		ROLLER	600	5-715	5/8	1-3/16	1-5/8	1-3/4
	2	ROLLER	900	5-720	3/4	1-3/16	2-3/8	2-3/8
		BALL	900	5-720B	1/2, 5/8, 3/4	1-3/8	2-3/16	2-3/8
6	1 1/2	BALL	800	6-715B	1/2, 5/8, 3/4	1-3/8	1-3/4	2
		BALL	1,000	6-720B	1/2, 5/8, 3/4	1-3/8	2-1/4	2-5/8
	2	ROLLER	1,000	6-720	3/4	1-3/16	2-3/8	2-5/8
		DELRIN	1,000	6-721	3/4	1-3/16	2-3/8	2-5/8
8	1 5/8	BALL	900	8-715B	1/2, 5/8, 3/4	1-3/8	2-1/4	3
		BALL	1,200	8-720B	1/2, 5/8, 3/4	1-3/8	2-1/4	4-1/4
	2	ROLLER	1,200	8-720	3/4	1-3/16	2-5/8	4-1/4
		DELRIN	1,200	8-721	3/4	1-3/16	2-5/8	4-1/4

- ✓ **Standard Color / Finish:** Blue tread on die-cast aluminum wheel core
- ✓ **Tread Hardness:** 55 (± 5) Shore D Scale
- ✓ **Temperature Range:** -40° F to + 160° F

Moldon Polyurethane Cast Iron Core Wheels

Capacity up to 1,500 lbs. each



6-720CI
(shown in photo)

FEATURES

Moldon polyurethane tread wheels offer the high load capacity of steel wheels combined with added floor protection and shock absorbing capability. These wheels are designed for heavy duty service under punishing shock load and side thrust applications.

Like rubber tread wheels, they protect floors and are quiet in operation. They provide maximum floor protection while under

heavy loads and will not take a compression set (flat spot) when left standing for long periods of time. Special bore and keyway sizes are available. Please consult factory.

- ✓ **Standard Color / Finish:** Blue polyurethane on silver wheel core
- ✓ **Tread Hardness:** 55 (± 5) Shore D Scale
- ✓ **Temperature Range:** -30° F to + 180° F

Wheel Diameter (Inches)	Tread Width (Inches)	Bearing	Capacity (Pounds)	Model Number	Bearing Bore (Inches)	Bore Less Bearing (Inches)	Hub Length (Inches)	Approximate Weight (Pounds)
4	2	ROLLER	700	4-720CI	3/4	1-3/16	2-3/8	4-1/2
5	2	ROLLER	1,050	5-720CI	3/4	1-3/16	2-3/8	5
6	2	ROLLER	1,200	6-720CI	3/4	1-3/16	2-3/8	5-3/4
8	2	ROLLER	1,500	8-720CI	3/4	1-3/16	2-3/8	8-1/2

Solid Elastomer Wheels

Capacity up to 1,250 lbs. each



6-760
(shown in photo)

FEATURES

Solid Elastomer wheels are the best choice for moving heavy loads with ease. They are the ergonomic solution to many heavy duty applications and outperform any conventional caster wheel on the market.

Solid Elastomer wheels are recommended for tow-line applications and are popular in automotive environments. They also offer a superior resistance to chipping, flat spotting, cracking and most chemicals, acids and water.

- ✓ **Standard Color / Finish:** Grey
- ✓ **Tread Hardness:** 80 (± 5) Shore D Scale
- ✓ **Temperature Range:** -40° F to + 230°

Wheel Diameter (Inches)	Tread Width (Inches)	Bearing	Capacity (Pounds)	Model Number	Bearing Bore (Inches)	Hub Length (Inches)	Approximate Weight (Pounds)
3	1 3/8	Precision Ball	300	3-750	1/2	1-9/16	1/2
		Precision Ball	300	3-755	3/8	1-9/16	1/2
4	1 3/8	Precision Ball	500	4-755	3/8	1-9/16	3/4
		Delrin Roller	1,250	4-761	3/4	2-3/8	1-1/2
	2	Delrin Roller	1,250	4-760	3/4	2-3/8	1-1/2
		Precision Ball	1,250	4-770	1/2	2-7/16	1-1/2
5	1 3/8	Flanged Ball	700	5-750	1/2	1-9/16	1
		Precision Ball	700	5-755	3/8	1-9/16	1
	2	Delrin Roller	1,250	5-761	3/4	2-3/8	2
		Delrin Roller	1,250	5-760	3/4	2-3/8	2
		Precision Ball	1,250	5-770	1/2	2-7/16	2
			1,250	5-770	1/2	2-7/16	2
6	2	Delrin Roller	1,250	6-761	3/4	2-3/8	2-1/4
		Delrin Roller	1,250	6-760	3/4	2-3/8	2-1/4
		Precision Ball	1,250	6-770	1/2	2-7/16	2-1/4
8	2	Delrin Roller	1,250	8-761	3/4	2-3/8	3-1/2
		Delrin Roller	1,250	8-760	3/4	2-3/8	3-1/2
		Precision Ball	1,250	8-770	1/2	2-7/16	3-1/2

Phenolic Wheels

Capacity up to 1,400 lbs. each



6-222
(shown in photo)

FEATURES

Phenolic wheels are an industry-standard performer with proven service over many decades. These economical wheels are well suited to a wide variety of industrial and commercial uses. Phenolic wheels are constructed of compression molded phenolic resin filled with macerated canvas.

They are a hard tread wheel with high load capacity and are resistant to most oils and other chemicals. Phenolic wheels roll easier and more quietly than steel or cast iron, providing greater floor protection.

Wheel Diameter (Inches)	Tread Width (Inches)	Bearing	Capacity (Pounds)	Model Number	Bearing Bore (Inches)	Bore Less Bearing (Inches)	Hub Length (Inches)	Approximate Weight (Pounds)
3	1 1/2	PLAIN ROLLER	600	3-121	1/2	1/2	1-5/8	1/2
	1 13/16	ROLLER	600	3-221	3/4	1-3/16	1-5/8	1/2
		ROLLER	700	3-222	9/16	1-1/8	1-15/16	3/4
3 1/4	2	ROLLER	700	3-1/4-222	3/4	1-3/16	2-3/8	1-1/4
4	1 1/2	PLAIN ROLLER	600	4-121	1/2	1/2	1-5/8	1
	2	ROLLER	600	4-221	3/4	1-3/16	1-5/8	1
		PLAIN ROLLER	800	4-122	3/4	3/4	2-3/16	1-1/2
5	1 1/2	PLAIN ROLLER	600	5-121	1/2	1/2	1-5/8	1-1/2
		ROLLER	600	5-221	3/4	1-3/16	1-5/8	1-1/2
	2	PLAIN ROLLER	1,000	5-122	3/4	3/4	2-3/16	1-3/4
6	1 1/2	PLAIN ROLLER	800	6-121	1/2	1/2	1-5/8	1-1/2
		ROLLER	800	6-221	3/4	1-3/16	1-5/8	1-1/2
	2	PLAIN ROLLER	1,200	6-122	3/4	3/4	2-3/16	2-1/2
8	2	PLAIN ROLLER	1,400	8-122	3/4	3/4	2-3/16	4
		ROLLER	1,400	8-222	3/4	1-3/16	2-3/8	4

- ✓ **Standard Color / Finish:** black
- ✓ **Tread Hardness:** 90 (± 5) Shore D Scale
Rockwell 102E
- ✓ **Temperature Range:** -45° F to + 250° F

Hi-Temp Phenolic

Capacity up to 1,400 lbs. each



8-222HT
(shown in photo)

FEATURES

With a maximum operating temperature range of +525° F (intermittent service), these durable wheels are designed to perform in conditions that will destroy ordinary caster wheels. Their high load capacity enables them to move heavy loads under extreme heat conditions. All Jarvis high-temp Phenolic wheels are equipped with stainless steel roller bearings with stainless steel raceways for maximum service life and rolling ease.

Wheel Diameter (Inches)	Tread Width (Inches)	Bearing	Capacity (Pounds)	Model Number	Bearing Bore (Inches)	Bore Less Bearing (Inches)	Hub Length (Inches)	Approximate Weight (Pounds)
4	1 1/2	PLAIN	600	4-121HT	1/2	-	1-5/8	1/2
	2	STAINLESS STEEL ROLLER	800	4-222HT	3/4	1-3/16	2-3/8	2
5	1 1/2	PLAIN	600	5-121HT	1/2	-	1-5/8	1/2
	2	STAINLESS STEEL ROLLER	1,000	5-222HT	3/4	1-3/16	2-3/8	2-1/2
6	2	STAINLESS STEEL ROLLER	1,200	6-222HT	3/4	1-3/16	2-3/8	3
8	2	STAINLESS STEEL ROLLER	1,400	8-222HT	3/4	1-3/16	2-3/8	3-1/2

- ✓ **Standard Color / Finish:** brown
- ✓ **Tread Hardness:** 90 (± 5) Shore D Scale
Rockwell 102E
- ✓ **Temperature Range:**
-45° F to + 475° F (Continuous operation)
-45° F to + 525° F (Intermittent service)
Consult factory.

Cast Iron Wheels

Capacity up to 1,500 lbs. each



6-250
(shown in photo)

FEATURES

Cast iron wheels are recommended for heavy loads or for applications where floor protection and noise reduction are not important. These wheels have exceptionally long wear life and are fully machined for concentricity. Cast iron wheels are ideal for warehousing, manufacturing and general material handling. In addition, they can be used in temperature extremes

- ✓ **Standard Color / Finish:** Silver
- ✓ **Temperature Range:** -45° F to + 250° F

Wheel Diameter (Inches)	Tread Width (Inches)	Bearing	Capacity (Pounds)	Model Number	Bearing Bore (Inches)	Bore Less Bearing (Inches)	Hub Length (Inches)	Approximate Weight (Pounds)
2	1	PLAIN	150	2-120	1/4		1-1/8	3/4
2 1/2	15/16	PLAIN	200	2-1/2-120	5/16		1-3/8	1
3	1 1/4	PLAIN	250	3-120	1/2		1-1/2	1-1/4
3 1/2	1 1/4	PLAIN	300	3-1/2-120	1/2		1-1/2	1-3/4
4	1 1/4	PLAIN	400	4-120	1/2		1-1/2	2
	1 1/2	PLAIN	550	4-130	5/8		1-15/16	2-1/4
		ROLLER	550	4-230	3/4	1-3/16	1-15/16	2-1/4
	2	ROLLER	750	4-250	3/4	1-3/16	2-3/8	3-1/2
5	1 1/4	PLAIN	500	5-120	1/2		1-1/2	2-12
	1 1/2	ROLLER	650	5-230	3/4	1-3/16	1-15/16	3-1/2
	2	ROLLER	800	5-250	3/4	1-3/16	2-3/8	4-1/2
6	1 1/2	ROLLER	600	6-230	3/4	1-3/16	1-3/4	4
	2	ROLLER	1,200	6-250	3/4	1-3/16	2-3/8	6-1/2
8	2	ROLLER	1,500	8-250	3/4	1-3/16	2-3/8	8-1/2

Ductile Iron Wheels

Capacity up to 3,800 lbs. each



FEATURES

Similar to cast iron wheels, but designed to have greater capacity. Ductile iron 60-45-15.

Wheel Diameter (Inches)	Tread Width (Inches)	Bearing	Capacity (Pounds)	Model Number	Bearing Size (Inches)	Bore Less Bearing (Inches)	Hub Length (Inches)
5 1/4	2	ROLLER	1,200	DR-5125/20-	3/4, 1	1-7/16	2-1/4
6	2	ROLLER	1,700	DR-06/20-	3/4, 1	1-7/16	2-1/4
	2 1/2	ROLLER	2,500	DR-06/25-	1, 1-1/4	1-15/16	2-3/4
8	2 1/2	ROLLER	2,900	DR-08/25-	1, 1-1/4	1-15/16	2-3/4
	3	ROLLER	3,200	DR-08/30-	1, 1-1/4	1-15/16	3-1/4
10	2 1/2	ROLLER	3,000	DR-10/25-	1, 1-1/4	1-15/16	2-3/4
	3	ROLLER	3,500	DR-10/30-	1, 1-1/4	1-15/16	3-1/4
12	2 1/2	ROLLER	3,300	DR-12/25-	1, 1-1/4	1-15/16	2-3/4
	3	ROLLER	3,800	DR-12/30-	1, 1-1/4	1-15/16	3-1/4

For complete part number add bearing size at end of model number (example for 3/4" bore: DR-06/20-3/4).

- ✓ **Standard Color / Finish:** Silver
- ✓ **Temperature Range:** -45° F to + 250° F

V-Groove Wheels

Capacity up to 1,000 lbs. each



6-250V
(shown in photo)

Wheel Diameter (Inches)	Tread Width (Inches)	Bearing	Capacity (Pounds)	Model Number	Bearing Bore (Inches)	Bore Less Bearing (Inches)	Hub Length (Inches)	Approximate Weight (Pounds)
4	2	ROLLER	800	4-250V	3/4	1-3/16	2-3/16	4
5	2	ROLLER	800	5-250V	3/4	1-3/16	2-3/16	5
6	2	ROLLER	1,000	6-250V	3/4	1-3/16	2-3/16	8

FEATURES

V-Groove wheels are designed for use on inverted angle iron tracks to control direction, protect floors and provide ease of movement in production lines or assembly areas. These wheels are machine finished across wheel face and "V" groove.

- ✓ **Standard Color / Finish:** Silver
- ✓ **Temperature Range:** -45° F to + 250° F

Brakes



VertiLoc® Brake

A popular side-operated brake that employs cam action to lock brake pad across entire surface of wheel tread. Brake locks wheel only, and the swivel radius of the caster is not affected by this brake design. All steel construction provides positive, reliable braking under a variety of operating conditions and wheel tread types.

To order as factory installed swivel caster option, add "VL" to end of caster model number. To field install brake, see Brake Kit Number chart below.

Caster Wheel Diameter	Brake Kit Number					
	13-28 Series Zinc	135-285 Series Nickel	W13-W28 Series Zinc	30-40 Series Zinc	305-405 Series Nickel	S30-S40 Series Stainless
3"	E 53	E 30	E 63	E 63	E 69	
3-1/2"				E 64	E 62	
4"	E 54	E 31	E68	E 68	E 61	SS E 64
5"	E 55	E 32	E67	E 67	E 77	SS E 65
6"				E 66	E 6	SS E 66

VertiLoc Brake Kit includes brake axle & nut, brake pedal and shoe lever.



Vinyl brake contact available. Consult factory.



VertiLoc HD® Brake

This brake features the same basic design as the VertiLoc brake shown above except that this model is designed for use on heavier duty casters and wheels. It also employs a cam action to lock brake pad across entire surface of wheel tread. Brake locks wheel only, and the swivel radius of the caster is not affected by this brake design. All steel construction provides positive, reliable braking under a variety of operating conditions and wheel tread types.

To order as factory installed swivel caster option, add "VL" to end of caster model number. To field install brake, see Brake Kit Number chart below.

Caster Wheel Dia.	Brake Kit Number				81 Series Stainless Steel Brake Kits		
	130-136 Series Zinc	61 Series Zinc	81 Series Zinc	81KPL Series Zinc	Caster Wheel Dia.	Metal Brake Contact	Vinyl Brake Contact
3"	E 46				4"	SSE 84	SSE 84VY
4"	E 50	E 90	E 84	E 84	5"	SSE 85	SSE 85VY
5"	E 51	E 89	E 85	E 85	6"	SSE 86	SSE 86VY
6"	E 99	E 94	E 86	E 86	8"	SSE 88	SSE 88VY
8"	E 79*	E 95	E 88	E 88			



Vinyl brake contact available. Consult factory.



PosiLoc® Brake

A simple, effective toe-activated wheel brake that provides excellent braking action on a variety of wheel types and tread surfaces. Brake locks wheel only. Thermoplastic black brake pedal offers easy engagement and disengagement of brake. Stainless steel construction.

To order as factory installed swivel caster option, add "PL" to end of caster model number.

Note: Melting point of brake pedal is +421° F.

To field install brake, see Brake Kit Number chart above.

Caster Wheel Diameter	Kit Number	
	W13-W28 Series Zinc	30-40 Series Zinc
3"	3005-27	3005-27
3-1/2"		3005-37
4"	3005-47	3005-47
5"	3005-57	3005-57
6"		3005-67

Brake kit includes brake housing and pedal as one unit. Existing caster axle & nut will work with this design.



Taupe and red brake pedals optionally available, consult factory.



PosiLoc HD® Brake

A heavy duty version of the PosiLoc brake shown above specially designed for larger casters and heavier loads. A simple, effective toe-activated wheel brake that provides excellent braking action on a variety of wheel types and tread surfaces. Brake locks wheel only. Thermoplastic black brake pedal offers easy engagement and disengagement of brake.

To order as factory installed swivel caster option, add "PL" to end of caster model number.

Note: Melting point of brake pedal is +421° F

To field install brake, see Brake Kit Number chart above.

Caster Wheel Dia.	Brake Kit Number	
	81 Series Zinc	81SB Series Zinc
4"	TI 481 PLB	TI 481 PLB
5"	TI 581 PLB	TI 581 PLB
6"	TI 681 PLB	TI 681 PLB
8"	TI 881 PLB	TI 881 PLB

Brake kit includes brake housing and pedal as one unit. Existing caster axle & nut will fit this design.

Brakes



SideLock Brake

Cam activated brake exerts pressure on side of wheel hub for solid braking power. Large wing-shaped foot pedal is easily accessed, and brake can be locked from either end of the pedal for operator ease. A proven industrial brake design that locks wheel only.

To order as factory installed swivel caster option,

Caster Wheel Dia.	Kit. No.
	81 Series Zinc
4"	000 E81 HD
5"	000 E81 HD
6"	000 E81 HD
8"	000 E81 HD

add "SLB" to end of caster model number.

To field install brake, see kit numbers above.



Hex Head Brake

Threaded bolt activates pressure directly to the side of the wheel when turned by wrench. Locking action is positive and secure for those applications where equipment must remain stationary for long periods of time. This style brake is commonly used on Jarvis low profile Business Machine casters. To order add "HHBRK" to end of caster model.



Thumb Screw Brake

Threaded bolt activates pressure directly to the side of the wheel when turned by thumb pressure. Locking action is positive and secure for those applications where equipment must remain stationary for long periods of time. This style brake is commonly used on Jarvis low profile Business Machine casters. To order add "TSBRK" to end of caster model.

Swivel Locks



Swivel Lock (Welded)

Available on: 30 Series top plate casters (zinc, nickel plated & stainless steel)

1-Position swivel lock that is factory installed only. Hand operated plunger locks caster swivel in trailing position at 180° while wheel spins freely. Spring-loaded plunger mechanism is welded to top plate and features a clip that automatically locks in top of fork base when activated.

To order as factory installed swivel caster option, add "1PSL" to end of caster model number.



Swivel Lock (Welded)

Available on: Jarvis 81 Series casters.

Designed for heavier loads and industrial applications, these 4-position swivel locks are welded to the bottom of the top plate and can convert swivel casters into rigid casters.

The spring loaded plunger is hand operated and fits into notches cut in 90° intervals in the swivel raceway. Plunger locks out of way when not in use for free swiveling action. Factory installed only.

To order as factory installed swivel lock, add "SL4" to end of caster model number.



Swivel Lock (Bolt-On)

Available on: 71, 81 and S81 Series casters

4-Position, bolt-on swivel lock is installed as the caster is mounted on the equipment. A spring-loaded, hand-operated plunger is engaged to fit into slots on the swivel raceway at 90° intervals while wheel spins freely.

To disengage, simply pull out on the plunger pull ring and twist and lock so that it will not contact the swivel raceway. The caster fork base must be equipped with notches for this swivel lock to function.

To order, specify swivel lock part number "3091-22". For stainless steel swivel lock order part number "3091-17".



Accessories / Parts

Swivel Grease Seals

Swivel seals are designed to keep dirt and moisture out of the swivel raceway and lubricant in for easier swiveling and longer caster life.

They are recommended for equipment exposed to frequent washings or sterilization cycles in hospitals, food processing plants and bakeries. To order as factory installed swivel caster option, add "GS" to end of caster model number.



Adjustable Equipment Legs

With almost a century of providing to the food service industry, it only makes sense that Jarvis is able to utilize its global resources in advanced manufacturing technologies to develop additional solutions for our customers. Welded mounting plates available in two sizes

- Integral hex foot
- Available in multiple finishes
- Adjustments up to 1" in length
- Engineered solutions for custom applications
- Available in 4", 6" and 8" heights



Construction:

- 16 gauge steel tubing
- O.D. Tubing: 1-5/8" Hex Foot: 1-1/8"
- Load Capacity: 2000 lb static load

Length (Inches)	Leg Model Number	Overall Extended Height (Inches)	Top Plate Dimensions (Inches)	Bolt Hole Spacing (Inches)	Mounting Bolt Size (Inches)
4	LEG4-22	5	2-3/8 x 3-5/8	1-3/4 x 3	5/16
4	LEG4-72	5	3-1/2 x 3-1/2	2-5/8 x 2-5/8	9/32
6	LEG6-22	7	2-3/8 x 3-5/8	1-3/4 x 3	5/16
6	LEG6-72	7	3-1/2 x 3-1/2	2-5/8 x 2-5/8	9/32

Floor Locks

Floor locks are designed to lock mobile equipment in a desired location. Often used on platform trucks, laundry carts and postal equipment, this unique locking system locks equipment in place with a simple press of the foot. Another press of the foot releases the lock for complete mobility.

Floor locks are recommended for use on level surfaces only. Non-slip rubber brake pad on bottom of floor lock holds securely on a variety of floor surfaces.



Jarvis floor locks feature a 4" x 4-1/2" top plate with slotted mounting holes for 2-5/8" x 3-5/8" or 3" x 3". Mounting bolt size: 3/8".

Wheel Diameter (Inches)	Caster Series	Overall Extended Height	Retracted Height	Model Number
4"	61, 81	5-3/4"	4-3/4"	FL4
5"	61, 81	6-5/8"	5-5/8"	FL5
6"	61, 81	7-5/8"	6-5/8"	FL6
8"	61, 81	9-5/8"	8-5/8"	FL8

Axles

All Jarvis Axles are Grade 2.

Series	Description	Specifications	Part Number
13 - 28 SERIES	PLAIN AXLE	5/16" DIAMETER X 1-7/16" LONG	902-02
	BRAKE AXLE	5/16" DIAMETER X 1-11/16" LONG	957-02
30 - 40 SERIES / SWIVELS	PLAIN AXLE	3/8" DIAMETER X 2-1/8" LONG	927-02
	ZERK AXLE	3/8" DIAMETER X 2-1/8" LONG	928-12
	PLAIN BRAKE AXLE	3/8" DIAMETER X 2-1/4" LONG	964-02
	ZERK BRAKE AXLE	3/8" DIAMETER X 2-1/4" LONG	965-12
31 SERIES / RIGIDS	PLAIN AXLE	3/8" DIAMETER X 2-1/4" LONG	932-22
	ZERK AXLE	3/8" DIAMETER X 2-1/4" LONG	932-12
130 SERIES (3", 4", 5" WHEEL DIA.)	PLAIN AXLE	3/8" DIAMETER X 2-5/8" LONG	966-02
	ZERK AXLE	3/8" DIAMETER X 2-5/8" LONG	966-12
	PLAIN BRAKE AXLE	3/8" DIAMETER X 2-7/8" LONG	961-02
	ZERK BRAKE AXLE	3/8" DIAMETER X 2-7/8" LONG	961-12
130 SERIES (6" & 8" WHEEL DIA.)	PLAIN AXLE	1/2" DIAMETER X 2-3/4" LONG	942-22
	ZERK AXLE	1/2" DIAMETER X 2-3/4" LONG	942-12
	PLAIN BRAKE AXLE	1/2" DIAMETER X 3" LONG	982-42
	ZERK BRAKE AXLE	1/2" DIAMETER X 3" LONG	982-52
61-62 SERIES	PLAIN AXLE	1/2" DIAMETER X 2-3/4" LONG	942-22
	ZERK AXLE	1/2" DIAMETER X 2-3/4" LONG	942-12
	PLAIN BRAKE AXLE	1/2" DIAMETER X 3" LONG	982-42
	ZERK BRAKE AXLE	1/2" DIAMETER X 3" LONG	982-52
81-82 SERIES	PLAIN AXLE	1/2" DIAMETER X 3-3/8" LONG	941-22
81SB SERIES	ZERK AXLE	1/2" DIAMETER X 3-3/8" LONG	941-12
W81, W82, W87, W88, PNEUMATIC CASTERS	PLAIN AXLE	1/2" DIAMETER X 4" LONG	980-22
	ZERK AXLE	1/2" DIAMETER X 4" LONG	980-22
S30 - 40 SERIES	ZERK AXLE	3/8" DIAMETER X 2.170 LONG	928-37
	BRAKE ZERK AXLE	3/8" DIAMETER X 2.22 LONG	940-17
S81 - 82 SERIES	ZERK AXLE	1/2" DIAMETER X 3-3/8" LONG	941-17

Spanner Bushings

Series	Specifications	Part Number
13 - 28 SERIES	3/8" OD X 5/16" ID X 1.300" LONG	4405-01
S30 - S40 SERIES (STAINLESS STEEL)	1/2" OD X 3/8" ID X 1.600" LONG	4425-17
	1/2" OD X 3/8" ID X 1.687" LONG	4428-17
W13-W28 SERIES 30-40 SERIES	1/2" OD X 3/8" ID X 1.600" LONG	4425-17
	1/2" OD X 3/8" ID X 1.575" LONG	4426-12
	1/2" OD X 3/8" ID X 1.600" LONG	4434-01
	1/2" OD X 3/8" ID X 1.610" LONG	4425-02
	1/2" OD X 3/8" ID X 1.687" LONG	4428-01
	9/16" OD X 3/8" ID X 2" LONG	4478-01
130-136 SERIES	5/8" OD X 3/8" ID X 1.687" LONG	4479-01
	1/2" OD X 3/8" ID X 2" LONG	4433-11
	5/8" OD X 3/8" ID X 2.031" LONG	4487-01
61- 62 SERIES	3/4" OD X 3/8" ID X 2" LONG	4465-01
	3/4" OD X 1/2" ID X 2.031" LONG	4441-01
	3/4" OD X 1/2" ID X 2.120" LONG	4423-01
	9/16" OD X 3/8" ID X 2" LONG (3" WHEEL DIAMETER ONLY)	4478-01
S81 - 82 SERIES (STAINLESS STEEL)	3/4" OD X 3/8" ID X 2" LONG	4465-01
	3/4" OD X 1/2" ID X 2.031" LONG	4494-17
	3/4" OD X 1/2" ID X 2.437" LONG	4498-17
	5/8" OD X 1/2" ID X 2.437" LONG	4448-17
81 - 82 SERIES	5/8" OD X 1/2" ID X 2.280" LONG	4467-01
	5/8" OD X 1/2" ID X 2.437" LONG	4431-01
	3/4" OD X 1/2" ID X 2.260" LONG	4460-01
	3/4" OD X 1/2" ID X 2.437" LONG	4458-01

Thread Guards

Thread guards are designed to protect wheel bearings from thread and other floor debris that can bind wheels thereby creating flat spots. They provide longer caster life and less maintenance of wheels. They are available as an option on many Jarvis models. See thread guard chart below for specific thread guard – wheel availability.



Plastic thread guard
1140-20
(shown in photo)

Wheel Model	Wheel Description	Wheel Size: Diameter x Tread Width	Thread Guard Part Number & Inside Diameter	Thread Guard Finish/ Material	
2-1/2-105	Cushion Tread / Solid Rubber	2-1/2" x 1-1/4"	1132-02 (3/8" ID)	Zinc	
3-105		3" x 1-1/4"	1132-02 (3/8" ID)	Zinc	
4-105		4" x 1-1/4"	1132-02 (3/8" ID)	Zinc	
5-452		5" x 1-1/8"	1164-06 (3/8" ID)	Nickel	
5-452		5" x 1-1/8"	1164-BR (3/8" ID)	Brass	
5-152		5" x 1-1/4"	1148-12 (3/8" ID)	Zinc	
6-105		6" x 9/32"	1162-02 (3/8" ID)	Zinc	
6-105		6" x 9/32"	1160-02 (3/8" ID)	Zinc	
3-103	Cushion Tread / Solid Rubber	3" x 15/16"	1121-16 (5/16" ID)	Nickel	
4-103		4" x 15/16"	1121-16 (5/16" ID)	Nickel	
4-452		4" x 1-1/8"	1163-06 (3/8" ID)	Nickel	
5-103		5" x 15/16"	1121-16 (5/16" ID)	Nickel	
5-109		5" x 1-5/8"	1148-02 (7/16" ID)	Zinc	
5-105		5" x 1-1/4"	1135-35 (3/8" ID)	Copper Nickel	
5-105		5" x 1-1/4"	1135-06 (3/8" ID)	Nickel	
5-105		5" x 1-1/4"	1135-02 (3/8" ID)	Zinc	
5-110	Hard Tread / Solid Rubber	5" x 1-5/8"	1148-02 (7/16" ID)	Zinc	
3-1/2-513	Polyolefin	3-1/2" x 1-1/4"	1170-02 (3/8" ID)	Zinc	
4-513		4" x 1-1/4"	1170-02 (3/8" ID)	Zinc	
5-513		5" x 1-1/4"	1170-02 (3/8" ID)	Zinc	
5-532		5" x 2"	1135-12 (1/2" ID)	Zinc	
3-1/2-13G	PolyLoc / Grey / Round Tread	3-1/2" x 1-1/4"	1143-02 (3/8" ID)	Zinc	
4-213G *		4" x 1-1/4"	1148-12 (3/8" ID)	Zinc	
4-314G		4" x 1-1/4"	1148-12 (3/8" ID)	Zinc	
5-213G *	PolyLoc / Grey / Round Tread	5" x 1-1/4"	1139-20 (3/8" ID)	Spacer Combo /Plastic Grey	
5-213G *		5" x 1-1/4"	1141-50 (5/16" ID)	Spacer Combo /Plastic Red	
5-213G *		5" x 1-1/4"	1140-PC (3/8" ID)	Black Powder Coat	
5-215G	PolyLoc / Grey / Flat Tread	5" x 1-1/2"	1135-06 (3/8" ID)	Nickel	
5-215G		5" x 1-1/2"	1135-02 (3/8" ID)	Zinc	
6-215G		6" x 1-1/2"	1153-17 (1/2" ID)	Stainless Steel	
6-220G		6" x 2"	1153-17 (1/2" ID)	Stainless Steel	
6-215G		6" x 1-1/2"	1153-02 (1/2" ID)	Zinc	
6-220G		6" x 2"	1153-02 (1/2" ID)	Zinc	
6-220G		6" x 2"	1153-00 (1/2" ID)	Plastic	
6-320G		6" x 2"	1153-00 (1/2" ID)	Plastic	
4-213P *		PolyLoc / Blue / Round Tread	4" x 1-1/4"	1148-12 (3/8" ID)	Zinc
5-213P *			5" x 1-1/4"	1139-20 (3/8" ID)	Spacer Combo /Plastic Grey
5-213P *	5" x 1-1/4"		1141-50 (5/16" ID)	Spacer Combo /Plastic Red	
5-213P *	5" x 1-1/4"		1140-PC (3/8" ID)	Black Powder Coat	

(Continues next column)

Wheel Model	Wheel Description	Wheel Size: Diameter x Tread Width	Thread Guard Part Number & Inside Diameter	Thread Guard Finish/ Material	
5-215P	PolyLoc / Blue / Flat Tread	5" x 1-1/2"	1135-06 (3/8" ID)	Nickel	
5-215P		5" x 1-1/2"	1135-02 (3/8" ID)	Zinc	
6-215P		6" x 1-1/2"	1153-17 (1/2" ID)	Stainless Steel	
6-220P		6" x 2"	1153-17 (1/2" ID)	Stainless Steel	
6-215P		6" x 1-1/2"	1153-02 (1/2" ID)	Zinc	
6-220P		6" x 2"	1153-02 (1/2" ID)	Zinc	
6-220P		6" x 2"	1153-00 (1/2" ID)	Black Plastic	
5-213GD *		Advantage / Round Tread	5" x 1-1/4"	1140-20 (3/8" ID)	Plastic / Grey
5-213GD *			5" x 1-1/4"	1140-06 (3/8" ID)	Zinc
5-213GD *			5" x 1-1/4"	1140-06 (3/8" ID)	Nickel
5-314GD	5" x 1-1/4"		1140-20 (3/8" ID)	Plastic / Grey	
6-213GD *	6" x 1-1/4"		1160-02 (3/8" ID)	Zinc	
6-314GD	6" x 1-1/4"		1160-02 (3/8" ID)	Zinc	
6-220GD	Advantage / Flat Tread	6" x 2"	1153-00 (1/2" ID)	Black Plastic	
5-213GF		5" x 1-1/4"	1140-20 (3/8" ID)	Plastic / Grey	
5-213GF		5" x 1-1/4"	1140-06 (3/8" ID)	Nickel	
5-314GF		5" x 1-1/4"	1140-20 (3/8" ID)	Plastic / Grey	
6-220GF		6" x 2"	1153-00 (1/2" ID)	Black Plastic	
6-320GF		6" x 2"	1153-00 (1/2" ID)	Black Plastic	
4-121	Phenolic	4" x 1-1/2"	1148-12 (3/8" ID)	Zinc	
4-221		4" x 1-1/2"	1148-12 (3/8" ID)	Zinc	
5-122		5" x 2"	1135-12 (1/2" ID)	Zinc	
6-222		6" x 2"	1153-17 (1/2" ID)	Stainless Steel	
6-222		6" x 2"	1153-02 (1/2" ID)	Zinc	
6-222		6" x 2"	1153-BL (1/2" ID)	Black Powder Coat	
4-755		Solid Elastomer	4" x 1-3/8"	1148-32 (3/8" ID)	Yellow Chromate
4-760			4" x 2"	1148-22 (1/2" ID)	Zinc
5-770			5" x 2"	1153-E7 (1/2" ID)	Electro Polished
4-120		Cast Iron	4" x 1-1/4"	1135-02 (3/8" ID)	Zinc
5-113	Welded Disc / Rubber Tread	5" x 1-1/4"	1141-19 (3/8" ID)	Black Polane	
5-113		5" x 1-1/4"	1141-15 (3/8" ID)	Grey Polane	
5-113		5" x 1-1/4"	1141-06 (3/8" ID)	Nickel	
6-113		6" x 1-1/4"	1157-19 (3/8" ID)	Black Polane	
6-113		6" x 1-1/4"	1157-15 (3/8" ID)	Grey Polane	

* All 213 model wheels come standard with plastic thread guards covering the hub area. The thread guard shown in the chart above mount over this small thread guard.

Bumpers



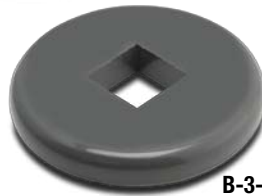
4714-00
(Grey)



4714-01
(Black)



B-3-1/2 R
(Round Stem)



B-3-1/2 S
(Square Stem)



End Bumper B-1

Grey or black end bumper generally used on the ends of tubular handles on carts and platform trucks. Designed to help protect equipment as well as walls and door facings. Bumper Dimensions: 3-1/4" diameter with steel insert for 5/16" mounting bolt.

Tubing Bumper B-3-1/2

Designed to fit over 1" OD round or square tubing on carts and a variety of rolling equipment. Please specify round or square tubing when ordering. Specify **B-3-1/2 R** for round ID and **B-3-1/2 S** for square ID.

Rolling Bumper B-5

5" diameter rolling bumper; tapered grey rubber bonded to zinc plated insert with removable center bushings to fit stem diameters from 3/8" to 1-1/8". Specify bumper **B-5**.

4718-00
(Grey)



4719-00
(Black)



4720-01
(Grey)



4721-01
(Black)



4722-01
(Grey)



4724-01
(Black)



Corner Bumper B-8

Grey or black corner bumper for mounting on the corners of equipment, carts or any flat surfaces. Absorbs shock to protect equipment and walls, doors and furniture. Bumper Dimensions: 7/8" thick x 1" high x 2-5/8" long from inside corner on each side.

Corner Bumper B-10

A heavy duty bumper with reinforced, rounded corner to protect equipment from shocks and bumps. Steel inserts inside bumper assures permanent mounting to equipment. Ends are tapered and rounded for added design appeal. Bumper Dimensions: 1" thick x 1-1/16" high x 3-1/16" long from inside corner on each side. Mounting holes are 13/64" diameter.

Corner Bumper B-12

A common bumper used to protect a wide variety of mobile equipment and the surrounding environment from bumps and scrapes. This bumper is equipped with steel inserts and can be mounted on any flat surface. The ends of the bumper legs may be cut at notched area to make square ends. Bumper features steel inserts. Bumper Dimensions: 7/8" thick x 1" high x 3-1/8" long from inside corner on each side. **Grey bumper with no steel insert, order model number 4724-30.**

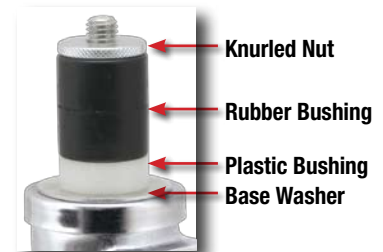
Tubing Adapters

Plastic adapters accepts 7/16" diameter spring ring stem. Metal adapter accepts 7/16" diameter straight stem.



Rubber Expanding Adapters

for Series 27, W27, 40, S40 and 60MG casters



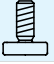
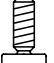


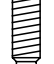
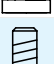


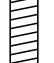






Tubing OD (Inches)	Plastic Round	Plastic Square	Metal
3/4-16 ga.	1085	1086	-
7/8-16 ga.	1087	1088	-
1-16 ga.	1089	1090	1070
1-18 ga.	1084	1091	1071
1-1/2-18 ga.	-	1082	-

Adapter Number	ID of Round or Square Tube (Inches)	Tube Size Range (Inches)	Adapter Kit Parts			
			Rubber Bushing	Top Knurled Nut	Plastic Bushing	Base Washer
9	3/4	0.720-0.851	1644-00	1421-02	1429-02	1709-02
11*	7/8	0.852-0.927	1645-00	1435-02	1432-02	1709-02
13	1	0.928-1.029	1646-00	1435-02	1432-02	1709-02
15	1-1/8	1.030-1.140	1647-00	1436-02	1431-02	1709-02
17B	1-3/16	1.178-1.303	1651-00	1441-02	1430-02	1709-02
19C*	1-3/8	1.360-1.425	1648-00	1438-02	1433-02	1709-02
19A	1-1/2	1.426-1.589	1649-00	1437-02	1434-02	1709-02
21	1-7/8	1.790-1.850	1650-00	1422-02	1440-02	1473-02



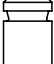

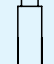
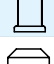
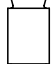


*Stainless Steel knurled nut and base washer.

Stem Dimensions




Threaded Stems

Drawing	Caster Series	Stem Size
	L4 (Stem 1)	5/16" dia. – 18 x 3/4" long
	L4 (Stem 2)	3/8" dia. – 16 x 1" long
	L4 (Stem 3) 13 (Stem 1) W13 (Stem 1)	3/8" dia. – 16 x 1-1/2" long
	Bus. Mach. Single Wheel 13 (Stem 4) W13 (Stem 4)	1/2" – 13 x 1-1/2" long
	13 (Stem 2) W13 (Stem 2)	7/16 dia. – 14 x 1-1/2" long
	13 (Stem 5) W13 (Stem 5)	1/2" dia. – 13 x 2-3/4" long
	36 (Stem 1) 56MG (Stem 1) 56HN (Stem 1) 136 (Stem 1)	1/2" dia. – 13 x 3/4" long
	13 (Stem 3) W13 (Stem 3) 36 (Stem 2) 56 (Stem 1) 56MG (Stem 2) 56HN (Stem 3) 136 (Stem 2)	1/2" dia. – 13 x 1" long
	36 (Stem 3) 56 (Stem 3) 56MG (Stem 3) 56HN (Stem 3) 136 (Stem 3) S36 (Stem 3)	1/2" dia. – 13 x 1-1/2" long
	36 (Stem 4) 56MG (Stem 4) 136 (Stem 4)	1/2" dia. – 20 x 3/4" long
	36 (Stem 5) 56MG (Stem 5) 56HN (Stem 5) 136 (Stem 5)	1/2" dia. – 20 x 2-1/4" long
	36 (Stem 6) 56MG (Stem 6) 56HN (Stem 6) 136 (Stem 6)	5/8" dia. – 11 x 1-1/4" long
	36 (Stem 7) 56MG (Stem 7) 56HN (Stem 7) 136 (Stem 7)	5/8" dia. – 18 x 1-3/4" long
	36 (Stem 8) 56MG (Stem 8) 56HN (Stem 8) 136 (Stem 8)	3/4" dia. – 10 x 1" long
	56 (Stem 3)	3/4" dia. – 10 x 1-3/4" long

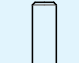



Spring Ring Stems

Drawing	Caster Series	Stem Size
	L3 Bus. Mach. Dual / Single Wheel 14 (Stem 1) W14 (Stem 1)	7/16" dia. x 1-3/8" long
	Business Machine Single Wide Wheel	7/8" dia. x 2-3/16"
	14 (Stem 2) W14 (Stem 2)	7/16" dia. x 1-15/16" long
	34 (Stem 1) 134 (Stem 1)	3/4" dia. x 2-3/16" long
	34 (Stem 2) 134 (Stem 2)	13/16" dia. x 2-3/16" long
	34 (Stem 3) 54MG (Stem 1) 54HN (Stem 1) 134 (Stem 3)	.845" dia. x 2-3/16" long
	34 (Stem 4) 54MG (Stem 2) 54HN (Stem 2) 134 (Stem 4) S34 (Stem 4)	.865" dia. x 2-3/16" long
	34 (Stem 5) 134 (Stem 5)	1" dia. x 2-3/16" long
	34 134 (Stem 6) 54 MG (Stem 3) 54 HN (Stem 3)	.860" Square x 2-3/16" long


Pipe Thread Stem

	17 (Stem 2) 38 (Stem 2)	3/4" Pipe Thread (1" actual stem dia.)
	38 (Stem 3)	1" Pipe Thread (1-1/4" actual stem dia.)
	38 (Stem 4)	1-1/4" dia. (1-1/2" actual stem dia.)


Round Stem

	L2	For metal sockets 7/16" dia. x 1-29/32" long
	54MG (Stem 1)	.845" dia. round x 2-3/16"
	54MG (Stem 2)	.865" dia. round x 2-3/16"
	54 (Stem 3)	1" dia. round x 2-3/16"

Octagon Stem

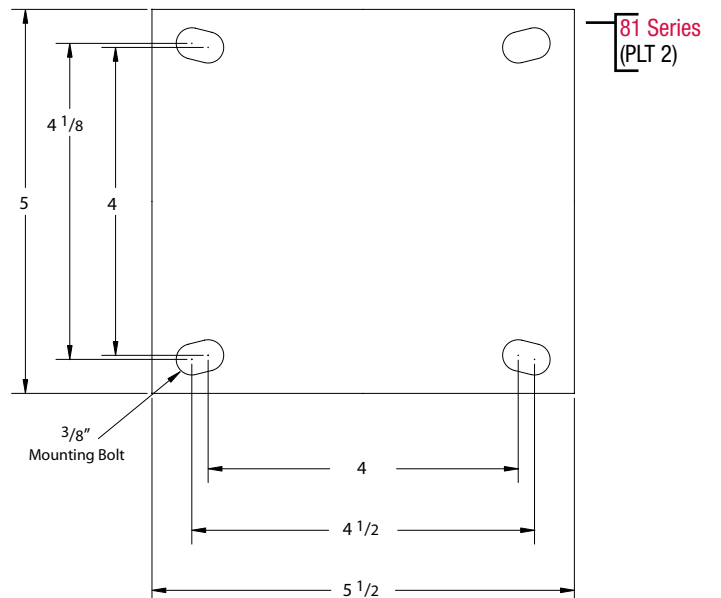
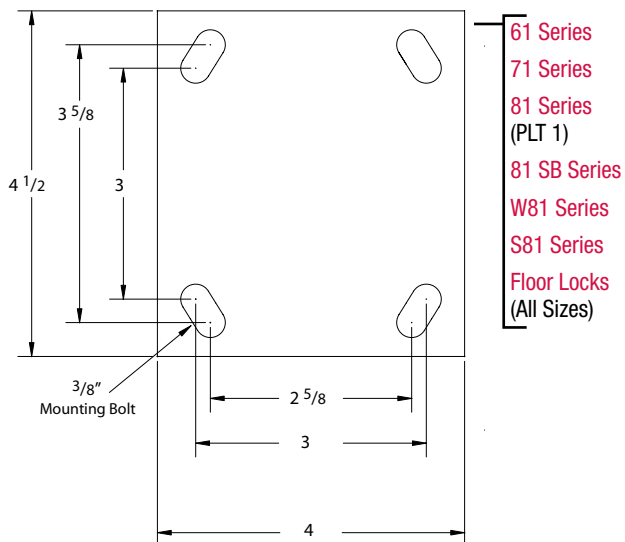
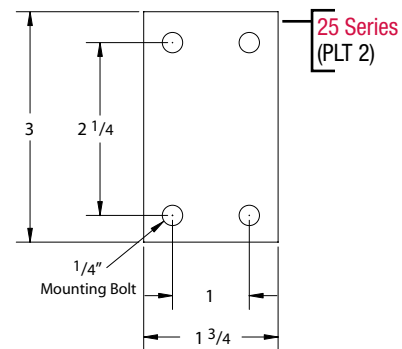
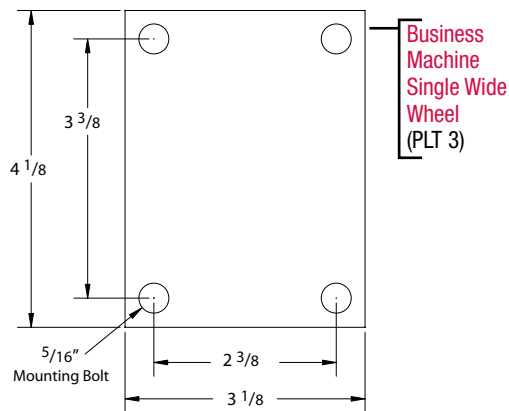
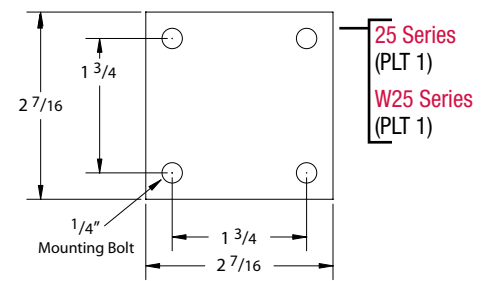
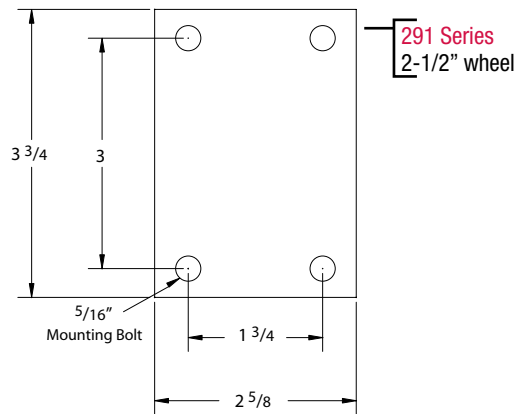
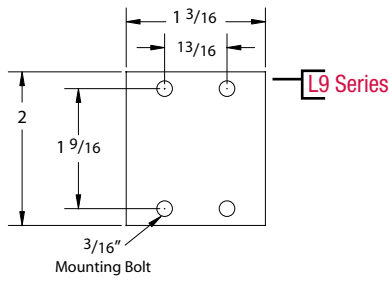
	19 W19 32	3/4" dia. by 2" long
---	-----------------	----------------------

Ladder Stem

	L5	5/16" dia. – 18 x 4-3/4" long with 5/8" thread length at top of stem; bottom stem flange is 9/16" dia. x 1-13/16" long
---	----	--

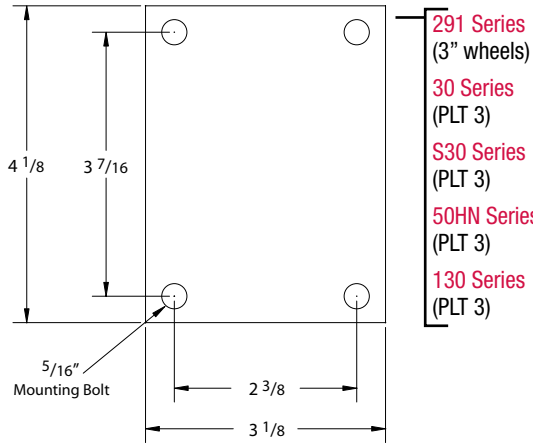
Top Plate Dimensions

Drawings are 40% scale reduction.

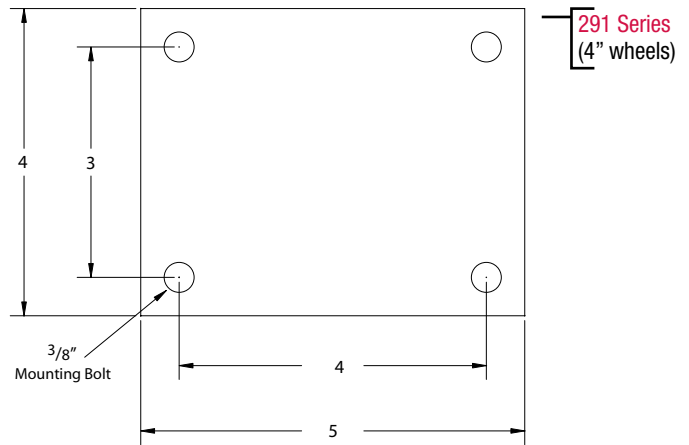


Top Plate Dimensions

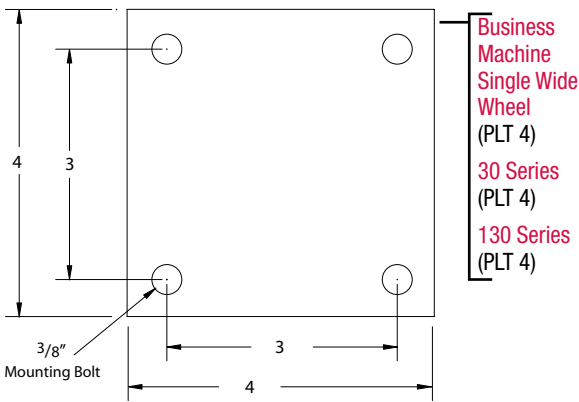
Drawings are 40% scale reduction.



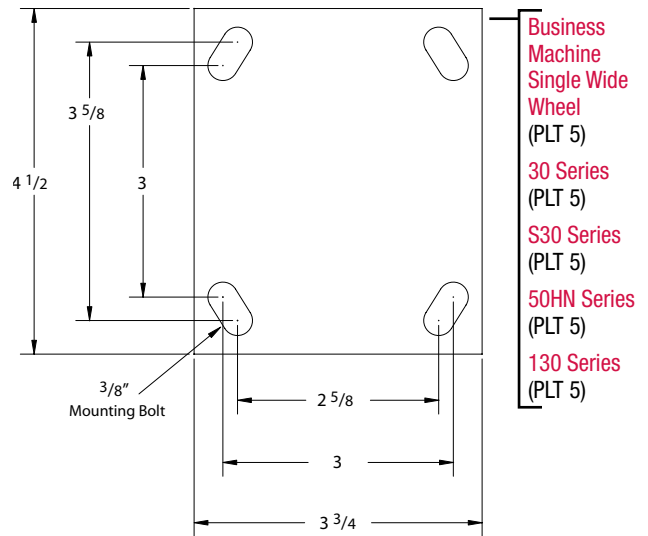
- 291 Series (3" wheels)
- 30 Series (PLT 3)
- S30 Series (PLT 3)
- 50HN Series (PLT 3)
- 130 Series (PLT 3)



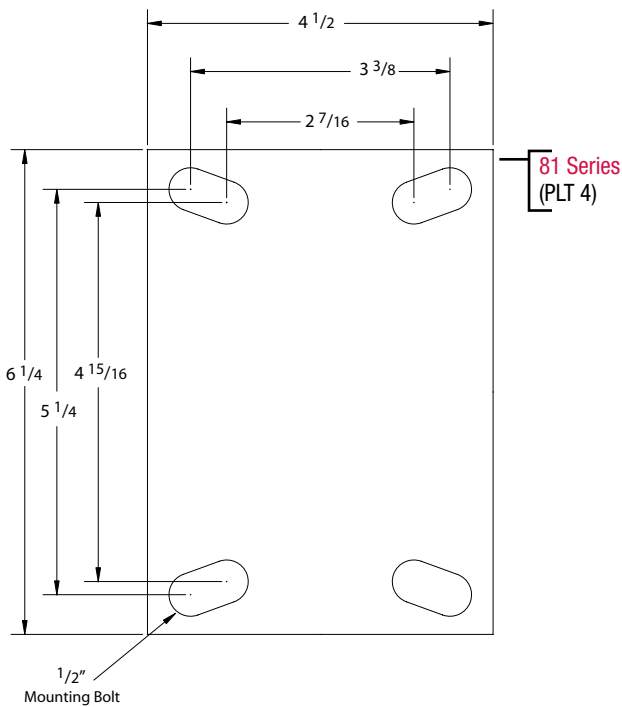
- 291 Series (4" wheels)



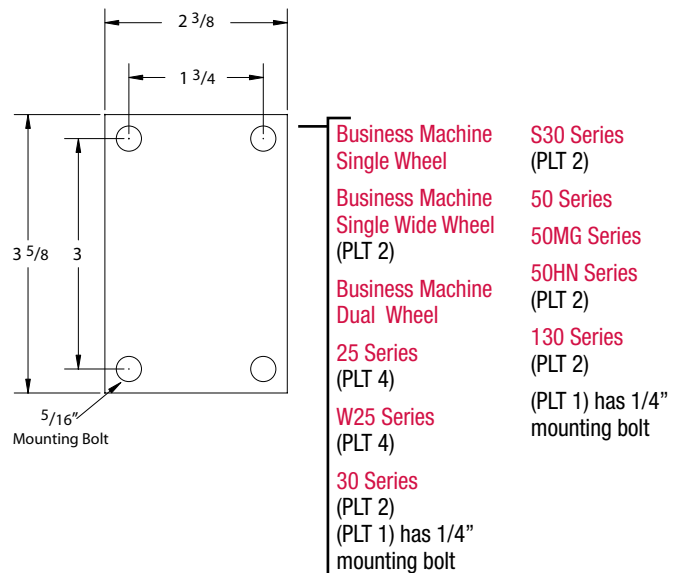
- Business Machine Single Wide Wheel (PLT 4)
- 30 Series (PLT 4)
- 130 Series (PLT 4)



- Business Machine Single Wide Wheel (PLT 5)
- 30 Series (PLT 5)
- S30 Series (PLT 5)
- 50HN Series (PLT 5)
- 130 Series (PLT 5)



- 81 Series (PLT 4)



- Business Machine Single Wheel
- Business Machine Single Wide Wheel (PLT 2)
- Business Machine Dual Wheel
- 25 Series (PLT 4)
- W25 Series (PLT 4)
- 30 Series (PLT 2)
- 30 Series (PLT 2)
- 30 Series (PLT 1) has $\frac{1}{4}$ " mounting bolt
- S30 Series (PLT 2)
- 50 Series
- 50MG Series
- 50HN Series (PLT 2)
- 130 Series (PLT 2)
- 130 Series (PLT 1) has $\frac{1}{4}$ " mounting bolt

Top Plate Dimensions

Drawings are 40% scale reduction.

