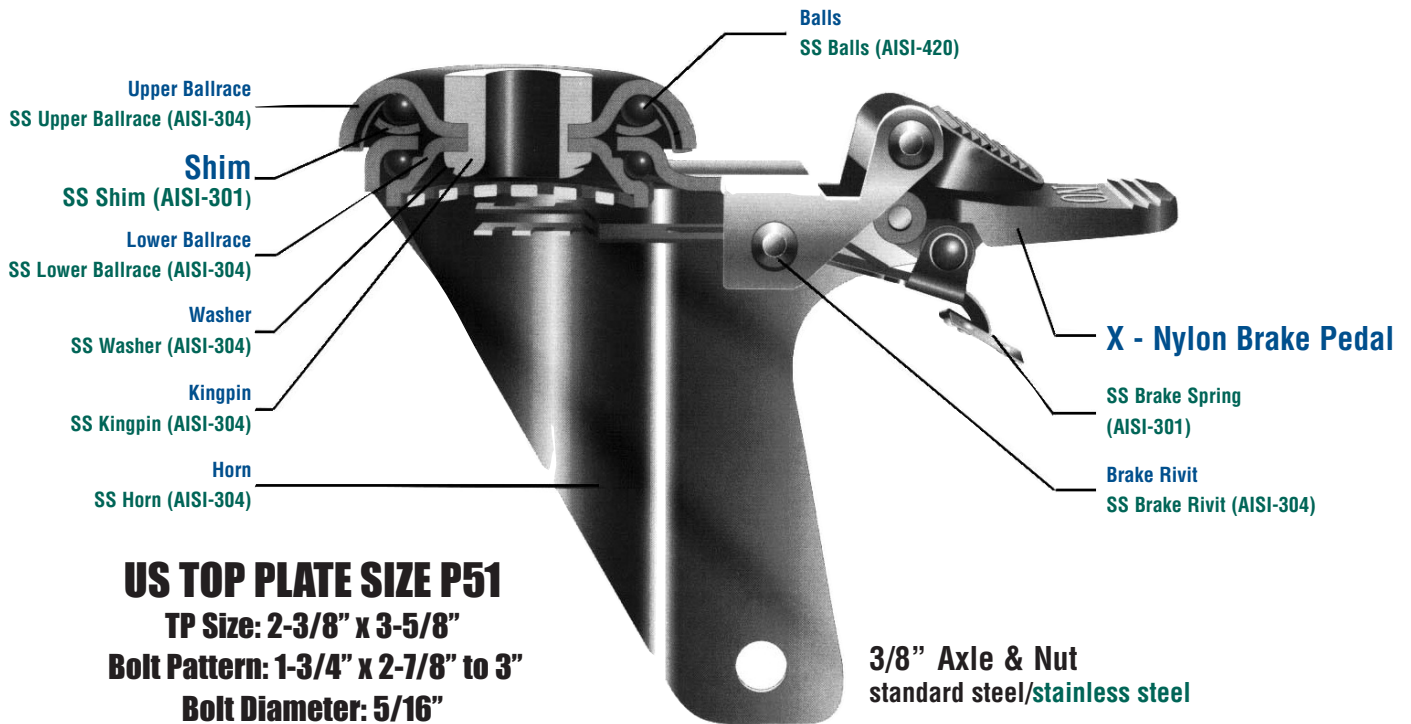


2C POLISHED CHROME FINISH PLATE CASTERS US TOP PLATE P51

POLISHED CHROME
pressed steel double ballrace
swivel yoke with hardened shim

POLISHED STAINLESS STEEL
pressed steel double ballrace
swivel yoke

See category 2C Series
in our catalog for other
plate sizes and wheels.



US TOP PLATE SIZE P51

TP Size: 2-3/8" x 3-5/8"

Bolt Pattern: 1-3/4" x 2-7/8" to 3"

Bolt Diameter: 5/16"

3/8" Axle & Nut
standard steel/stainless steel

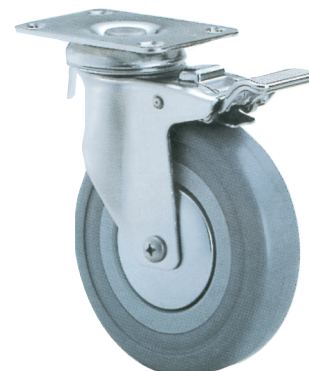
Swivel Caster



Swivel Caster
with Total Lock
& Plastic Pedal



Directional Lock
Plastic Petals



2C POLISHED CHROME FINISH PLATE CASTERS US TOP PLATE P51



**KR
WHEELS**

KRYPTONIC™ WHEELS

- Polyether Polyurethane has excellent carrying capacity.
- Crown shape affords an easy-rolling quiet operation.
- Greater service life and resistance to chunking, cutting and abrasive wear.

- 100% washable, steam cleanable, and resistant to most chemicals.
- Non-marking tread.
- Durometer: 58 Shore D (+/-5).
- Precision Ball Bearings.
- Temperature Range: +250°F for up to 2 hours.
- Available in 5" gray +250°F for 5 to 6 hours.

Part Number Swivel with Total Lock	Part Number Directional Lock	Part Number Swivel Caster	Wheel Diameter (inch)	Tread Width (inch)	Load Capacity (lbs)	Overall Height (mm)	Swivel Radius (mm)
2C51KR3TL	2C51KR3DL	2C51KR3S	3	1-1/4	300	107	33
2C51KR4TL	2C51KR4DL	2C51KR4S	4	1-1/4	300	135	40.5
2C51KR5TL	2C51KR5DL	2C51KR5S	5	1-1/4	300	161	39



**ANR
WHEELS**

ADVANCED RED RUBBER

- 80 (+5) Shore (A).
- Unique soft tread wheel handles the heat for autoclave applications.
- Roll quiet and smooth ride.

- Recommended for use in hospitals, laboratories and cleanrooms.
- Corrosion resistant thermoplastics.
- Resilient tread material rejects floor debris.
- Stainless Steel Precision Ball Bearings.
- Temp Range: -190°F to +300°F.

Part Number Swivel with Total Lock	Part Number Directional Lock	Part Number Swivel Caster	Wheel Diameter (inch)	Tread Width (inch)	Load Capacity (lbs)	Overall Height (mm)	Swivel Radius (mm)
2C51ANR4TL	2C51ANR4DL	2C51ANR4S	4	1-1/4	240	135	40.5
2C51ANR5TL	2C51ANR5DL	2C51ANR5S	5	1-1/4	240	161	39
2C51ANR6TL	2C51ANR6DL	2C51ANR6S	6	1-1/4	240	167	45



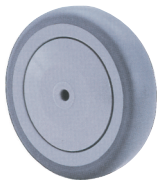
**RT
WHEELS**

RETORT

- 75 Durometer Shore (D).
- Designed to withstand the rigors of high temperature.

- Oversized bore ID ensures smooth movement.
- Moderate crown/White finish.
- Temp Range: -20°F to +290°F.

Part Number Swivel with Total Lock	Part Number Directional Lock	Part Number Swivel Caster	Wheel Diameter (inch)	Tread Width (inch)	Load Capacity (lbs)	Overall Height (mm)	Swivel Radius (mm)
2C51RT3TL	2C51RT3DL	2C51RT3S	3	1-1/4	300	107	33
2C51RT4TL	2C51RT4DL	2C51RT4S	4	1-1/4	300	135	40.5
2C51RT5TL	2C51RT5DL	2C51RT5S	5	1-1/4	300	161	39



**TPR
WHEELS**

THERMOPLASTIC GRAY TREAD RUBBER PLASTIC HUB.

- 70 (+/-5) Durometer Shore (A).
- Recommended for clean environments.
- Resists most solvents, oil, grease, and water.

- Non-marking.
- Smooth rolling and quiet.
- Precision Ball Bearings.
- Temp Range: -45°F to +180°F.

Part Number Swivel with Total Lock	Part Number Directional Lock	Part Number Swivel Caster	Wheel Diameter (inch)	Tread Width (inch)	Load Capacity (lbs)	Overall Height (mm)	Swivel Radius (mm)
2C51TPR3TL	2C51TPR3DL	2C51TPR3S	3	1-1/4	240	107	33
2C51TPR4TL	2C51TPR4DL	2C51TPR4S	4	1-1/4	240	135	40.5
2C51TPR5TL	2C51TPR5DL	2C51TPR5S	5	1-1/4	240	161	39

2C POLISHED CHROME FINISH PLATE CASTERS US TOP PLATE P51



PRB WHEELS

ELASTIC RUBBER

- Plastic hub material.
- Plastic 3" & Steel 4" & 5" thread guards.
- Gray color elastic rubber tire material.
- Precision Ball Bearings.
- Short-term temperature range: -40°/80°C.

Part Number Swivel with Total Lock	Part Number Directional Lock	Part Number Swivel Caster	Wheel Diameter (inch)	Tread Width (inch)	Load Capacity (lbs)	Overall Height (mm)	Swivel Radius (mm)
2C51PRB3TL	2C51PRB3DL	2C51PRB3S	3	1-1/4	240	107	33
2C51PRB4TL	2C51PRB4DL	2C51PRB4S	4	1-1/4	240	135	40.5
2C51PRB5TL	2C51PRB5DL	2C51PRB5S	5	1-1/4	240	161	39



SRB WHEELS

ELASTIC RUBBER

- Pressed steel hub material.
- Steel thread guards.
- Gray color elastic rubber tire material.
- Precision Ball Bearings.
- Short-term temperature range: -40°/80°C.

Part Number Swivel with Total Lock	Part Number Directional Lock	Part Number Swivel Caster	Wheel Diameter (inch)	Tread Width (inch)	Load Capacity (lbs)	Overall Height (mm)	Swivel Radius (mm)
2C51SRB4TL	2C51SRB4DL	2C51SRB4S	4	1-1/4	240	135	40.5
2C51SRB5TL	2C51SRB5DL	2C51SRB5S	5	1-1/4	240	161	39
2C51SRB6TL	2C51SRB6DL	2C51SRB6S	6	1-1/4	240	167	45



PM WHEELS

SOLID NYLON

- Steel thread guards.
- White color.
- Roller Bearings.
- Short-term temperature range: -30°/+120°C.

Part Number Swivel with Total Lock	Part Number Directional Lock	Part Number Swivel Caster	Wheel Diameter (inch)	Tread Width (inch)	Load Capacity (lbs)	Overall Height (mm)	Swivel Radius (mm)
2C51PM3TL	2C51PM3DL	2C51PM3S	3	1-1/4	240	107	33
2C51PM4TL	2C51PM4DL	2C51PM4S	4	1-1/4	240	135	40.5
2C51PM5TL	2C51PM5DL	2C51PM5S	5	1-1/4	240	161	39



NAN WHEELS

NOISE ABSORBING NYLON

- Wheel: impact-resistant nylon
- 70° Shore (D)
- White with elastic solid rubber red damping ring.
- Precision Ball Bearing.

Part Number Swivel with Total Lock	Part Number Directional Lock	Part Number Swivel Caster	Wheel Diameter (inch)	Tread Width (inch)	Load Capacity (lbs)	Overall Height (mm)	Swivel Radius (mm)
2C51NAN4TL	2C51NAN4DL	2C51NAN4S	4	1-1/4	400	135	40.5
2C51NAN5TL	2C51NAN5DL	2C51NAN5S	5	1-1/4	400	161	39

2C POLISHED CHROME FINISH PLATE CASTERS US TOP PLATE P51



TPR/AS WHEELS

ANTI-STATIC PLASTIC HUB, GRAY COLOR CONDUCTIVE THERMOPLASTIC RUBBER TREAD

- 70 (+/-5) Durometer Shore (A).
- Anti-static plastic hub.

- Non-marking.
- Easy rolling, impact resistant and shock absorbing.
- Precision Ball Bearings.
- Temp Range: -40°F to +120°F.

Part Number Swivel with Total Lock	Part Number Directional Lock	Part Number Swivel Caster	Wheel Diameter (inch)	Tread Width (inch)	Load Capacity (lbs)	Overall Height (mm)	Swivel Radius (mm)
2C51AS4TL	2C51AS4DL	2C51AS4S	4	1-1/4	240	135	40.5
2C51AS5TL	2C51AS5DL	2C51AS5S	5	1-1/4	240	161	39
2C51AS6TL	2C51AS6DL	2C51AS6S	6	1-1/4	240	167	45



TPU WHEELS

PLASTIC HUB, GRAY COLOR POLYURETANE TREAD

- 95 (+/-5) Durometer Shore (A).
- Plastic hub.

- Non-marking.
- High impact and abrasion resistant.
- Precision Ball Bearings.
- Temp Range: -40°F to +180°F.

Part Number Swivel with Total Lock	Part Number Directional Lock	Part Number Swivel Caster	Wheel Diameter (inch)	Tread Width (inch)	Load Capacity (lbs)	Overall Height (mm)	Swivel Radius (mm)
2C51TPU3TL	2C51TPU3DL	2C51TPU3S	3	1-1/4	240	107	33
2C51TPU4TL	2C51TPU4DL	2C51TPU4S	4	1-1/4	240	135	40.5
2C51TPU5TL	2C51TPU5DL	2C51TPU5S	5	1-1/4	240	161	39

*steel tread guard



URN WHEELS

URETHANE WHEEL WITH NYLON CORE

- 96 Shore (A).
- Urethane tread on a nylon core.

- Non-marking.
- Smooth rolling and quiet.
- Precision Ball Bearings.
- Temp Range: -3°F to +212°F.

Part Number Swivel with Total Lock	Part Number Directional Lock	Part Number Swivel Caster	Wheel Diameter (inch)	Tread Width (inch)	Load Capacity (lbs)	Overall Height (mm)	Swivel Radius (mm)
2C51URN3TL	2C51URN3DL	2C51URN3S	3	1-1/4	240	107	33
2C51URN4TL	2C51URN4DL	2C51URN4S	4	1-1/4	240	135	40.5
2C51URN5TL	2C51URN5DL	2C51URN5S	5	1-1/4	240	161	39
2C51URN6TL	2C51URN6DL	2C51URN6S	6	1-1/4	240	190	50

2C POLISHED STAINLESS STEEL PLATE CASTERS US TOP PLATE P51



**KR
WHEELS**

KRYPTONIC™ WHEELS

- Polyether Polyurethane has excellent carrying capacity.
- Crown shape affords an easy-rolling quiet operation.
- Greater service life and resistance to chunking, cutting and abrasive wear.
- 100% washable, steam cleanable, and resistant to most chemicals.
- Non-marking tread.
- Durometer: 58 Shore D (+/-5).
- Precision Ball Bearings.
- Temperature Range: +250°F for up to 2 hours.
- Available in 5" gray +250°F for 5 to 6 hours.

Part Number Swivel with Total Lock	Part Number Directional Lock	Part Number Swivel Caster	Wheel Diameter (inch)	Tread Width (inch)	Load Capacity (lbs)	Overall Height (mm)	Swivel Radius (mm)
2CSS51KR3TL	2CSS51KR3DL	2CSS51KR3S	3	1-1/4	300	107	33
2CSS51KR4TL	2CSS51KR4DL	2CSS51KR4S	4	1-1/4	300	135	40.5
2CSS51KR5TL	2CSS51KR5DL	2CSS51KR5S	5	1-1/4	300	161	39



**ANR
WHEELS**

ADVANCED RED RUBBER

- 80 (+5) Shore (A).
- Unique soft tread wheel handles the heat for autoclave applications.
- Roll quiet and smooth ride.
- Recommended for use in hospitals, laboratories and cleanrooms.
- Corrosion resistant thermoplastics.
- Resilient tread material rejects floor debris.
- Stainless Steel Precision Ball Bearings.
- Temp Range: -190°F to +300°F.

Part Number Swivel with Total Lock	Part Number Directional Lock	Part Number Swivel Caster	Wheel Diameter (inch)	Tread Width (inch)	Load Capacity (lbs)	Overall Height (mm)	Swivel Radius (mm)
2CSS51ANR4TL	2CSS51ANR4DL	2CSS51ANR4S	4	1-1/4	240	135	40.5
2CSS51ANR5TL	2CSS51ANR5DL	2CSS51ANR5S	5	1-1/4	240	161	39
2CSS51ANR6TL	2CSS51ANR6DL	2CSS51ANR6S	6	1-1/4	240	167	45



**RT
WHEELS**

RETORT

- 75 Durometer Shore (D).
- Designed to withstand the rigors of high temperature.
- Oversized bore ID ensures smooth movement.
- Moderate crown/White finish.
- Temp Range: -20°F to +290°F.

Part Number Swivel with Total Lock	Part Number Directional Lock	Part Number Swivel Caster	Wheel Diameter (inch)	Tread Width (inch)	Load Capacity (lbs)	Overall Height (mm)	Swivel Radius (mm)
2CSS51RT3TL	2CSS51RT3DL	2CSS51RT3S	3	1-1/4	300	107	33
2CSS51RT4TL	2CSS51RT4DL	2CSS51RT4S	4	1-1/4	300	135	40.5
2CSS51RT5TL	2CSS51RT5DL	2CSS51RT5S	5	1-1/4	300	161	39



**TPR
WHEELS**

THERMOPLASTIC GRAY TREAD RUBBER PLASTIC HUB.

- 70 (+/-5) Durometer Shore (A).
- Recommended for clean environments.
- Resists most solvents, oil, grease, and water.
- Non-marking.
- Smooth rolling and quiet.
- Precision Ball Bearings.
- Temp Range: -45°F to +180°F.

Part Number Swivel with Total Lock	Part Number Directional Lock	Part Number Swivel Caster	Wheel Diameter (inch)	Tread Width (inch)	Load Capacity (lbs)	Overall Height (mm)	Swivel Radius (mm)
2CSS51TPR3TL	2CSS51TPR3DL	2CSS51TPR3S	3	1-1/4	240	107	33
2CSS51TPR4TL	2CSS51TPR4DL	2CSS51TPR4S	4	1-1/4	240	135	40.5
2CSS51TPR5TL	2CSS51TPR5DL	2CSS51TPR5S	5	1-1/4	240	161	39

2C POLISHED STAINLESS STEEL PLATE CASTERS US TOP PLATE P51



PRB WHEELS

ELASTIC RUBBER

- Plastic hub material.
- Plastic 3" & Steel 4" & 5" thread guards.
- Gray color elastic rubber tire material.
- Precision Ball Bearings.
- Short-term temperature range: -40°/80°C.

Part Number Swivel with Total Lock	Part Number Directional Lock	Part Number Swivel Caster	Wheel Diameter (inch)	Tread Width (inch)	Load Capacity (lbs)	Overall Height (mm)	Swivel Radius (mm)
2CSS51PRB3TL	2CSS51PRB3DL	2CSS51PRB3S	3	1-1/4	240	107	33
2CSS51PRB4TL	2CSS51PRB4DL	2CSS51PRB4S	4	1-1/4	240	135	40.5
2CSS51PRB5TL	2CSS51PRB5DL	2CSS51PRB5S	5	1-1/4	240	161	39



SRB WHEELS

ELASTIC RUBBER

- Pressed steel hub material.
- Steel thread guards.
- Gray color elastic rubber tire material.
- Precision Ball Bearings.
- Short-term temperature range: -40°/80°C.

Part Number Swivel with Total Lock	Part Number Directional Lock	Part Number Swivel Caster	Wheel Diameter (inch)	Tread Width (inch)	Load Capacity (lbs)	Overall Height (mm)	Swivel Radius (mm)
2CSS51SRB4TL	2CSS51SRB4DL	2CSS51SRB4S	4	1-1/4	240	135	40.5
2CSS51SRB5TL	2CSS51SRB5DL	2CSS51SRB5S	5	1-1/4	240	161	39
2CSS51SRB6TL	2CSS51SRB6DL	2CSS51SRB6S	6	1-1/4	240	167	45



PM WHEELS

SOLID NYLON

- Steel thread guards.
- White color.
- Roller Bearings.
- Short-term temperature range: -30°/+120°C.

Part Number Swivel with Total Lock	Part Number Directional Lock	Part Number Swivel Caster	Wheel Diameter (inch)	Tread Width (inch)	Load Capacity (lbs)	Overall Height (mm)	Swivel Radius (mm)
2CSS51PM3TL	2CSS51PM3DL	2CSS51PM3S	3	1-1/4	240	107	33
2CSS51PM4TL	2CSS51PM4DL	2CSS51PM4S	4	1-1/4	240	135	40.5
2CSS51PM5TL	2CSS51PM5DL	2CSS51PM5S	5	1-1/4	240	161	39



NAN WHEELS

NOISE ABSORBING NYLON

- Wheel: impact-resistant nylon
- 70° Shore (D)
- White with elastic solid rubber red damping ring.
- Precision Ball Bearing.

Part Number Swivel with Total Lock	Part Number Directional Lock	Part Number Swivel Caster	Wheel Diameter (inch)	Tread Width (inch)	Load Capacity (lbs)	Overall Height (mm)	Swivel Radius (mm)
2CSS51NAN4TL	2CSS51NAN4DL	2CSS51NAN4S	4	1-1/4	400	135	40.5
2CSS51NAN5TL	2CSS51NAN5DL	2CSS51NAN5S	5	1-1/4	400	161	39

2C POLISHED STAINLESS STEEL PLATE CASTERS US TOP PLATE P51



TPR/AS WHEELS

ANTI-STATIC PLASTIC HUB, GRAY COLOR CONDUCTIVE THERMOPLASTIC RUBBER TREAD

- 70 (+/-5) Durometer Shore (A).
- Anti-static plastic hub.

- Non-marking.
- Easy rolling, impact resistant and shock absorbing.
- Precision Ball Bearings.
- Temp Range: -40°F to +120°F.

Part Number Swivel with Total Lock	Part Number Directional Lock	Part Number Swivel Caster	Wheel Diameter (inch)	Tread Width (inch)	Load Capacity (lbs)	Overall Height (mm)	Swivel Radius (mm)
2CSS51AS4TL	2CSS51AS4DL	2CSS51AS4S	4	1-1/4	240	135	40.5
2CSS51AS5TL	2CSS51AS5DL	2CSS51AS5S	5	1-1/4	240	161	39
2CSS51AS6TL	2CSS51AS6DL	2CSS51AS6S	6	1-1/4	240	167	45



TPU WHEELS

PLASTIC HUB, GRAY COLOR POLYURETANE TREAD

- 95 (+/-5) Durometer Shore (A).
- Plastic hub.

- Non-marking.
- High impact and abrasion resistant.
- Precision Ball Bearings.
- Temp Range: -40°F to +180°F.

Part Number Swivel with Total Lock	Part Number Directional Lock	Part Number Swivel Caster	Wheel Diameter (inch)	Tread Width (inch)	Load Capacity (lbs)	Overall Height (mm)	Swivel Radius (mm)
2CSS51TPU3TL	2CSS51TPU3DL	2CSS51TPU3S	3	1-1/4	240	107	33
2CSS51TPU4TL	2CSS51TPU4DL	2CSS51TPU4S	4	1-1/4	240	135	40.5
2CSS51TPU5TL	2CSS51TPU5DL	2CSS51TPU5S	5	1-1/4	240	161	39

*steel tread guard



URN WHEELS

URETHANE WHEEL WITH NYLON CORE

- 96 Shore (A).
- Urethane tread on a nylon core.

- Non-marking.
- Smooth rolling and quiet.
- Precision Ball Bearings.
- Temp Range: -3°F to +212°F.

Part Number Swivel with Total Lock	Part Number Directional Lock	Part Number Swivel Caster	Wheel Diameter (inch)	Tread Width (inch)	Load Capacity (lbs)	Overall Height (mm)	Swivel Radius (mm)
2CSS51URN3TL	2CSS51URN3DL	2CSS51URN3S	3	1-1/4	240	107	33
2CSS51URN4TL	2CSS51URN4DL	2CSS51URN4S	4	1-1/4	240	135	40.5
2CSS51URN5TL	2CSS51URN5DL	2CSS51URN5S	5	1-1/4	240	161	39
2CSS51URN6TL	2CSS51URN6DL	2CSS51URN6S	6	1-1/4	240	190	50